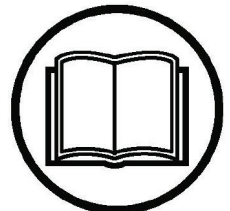




Operator's manual
Manual de usuario
Manual do operador

W 100D



Please read the operator's manual carefully and make sure you understand the instructions before using the machine.
Lea detenidamente el manual de instrucciones y asegúrese de entender su contenido antes de utilizar la máquina.
Leia atentamente o manual do operador e certifique-se de que tenha entendido as instruções antes de usar a máquina.

EN ES PT-BR

INTRODUCTION

Thank you for choosing a Husqvarna waterpump.

This manual is to help you get the best results from your new water pump and to operate it safely.

As you read this manual, you will find information preceded by a **NOTICE** symbol. That information is intended to help you avoid damage to your water pump, other property, or the environment.

INTRODUCTION

ABOUT SAFETY

Your safety and the safety of others are very important. And using this water pump safely is an important responsibility.






To help you to use the water pump safely, we have provided operating procedures and other information on labels and in this manual. This information alerts you to potential hazards that could hurt you or others.

Of course, it is not practical or possible to warn you about all the hazards associated with operating or maintaining a water pump. You must use your own good judgment.

You will find important safety information in a variety of forms, including:

- Safety Labels- on the pump.
- Safety Messages- preceded by a safety alert symbol  and one of three signal words, DANGER, WARNING, or CAUTION.

These signal words mean:

WARNING SYMBOLS AND DEFINITIONS	
	This is the safety alert symbol. It is used to alert you to potential personal injury hazards. Obey all safety messages that follow this symbol to avoid possible injury or death.
	Indicates a hazardous situation which, if not avoided, will result in death or serious injury.
	Indicates a hazardous situation which, if not avoided, could result in death or serious injury.
	Indicates a hazardous situation which, if not avoided, could result in minor or moderate injury.
	Addresses practices not related to personal injury.

CONTENTS

PUMP SAFETY	5
IMPORTANT SAFETY INFORMATION	5
SAFETY LABEL	7
CONTROLS & FEATURES	8
Name Plate	9
BEFORE OPERATION.....	10
READY TO GET START?.....	10
IS YOUR PUMP READY TO GO?	11
Check the General Condition of the Pump.....	11
Check the Suction and Discharge Hoses.....	12
Check the Engine.....	12
OPERATION	13
SAFE OPERATING PRECAUTIONS	13
PUMP PLACEMENT	14
SUCTION HOSE INSTALLATION.....	15
DISCHARGE HOSE INSTALLATION	16
PRIMING THE PUMP	17
STARTING THE ENGINE	18
STOPPING THE ENGINE.....	20
MAINTENANCE	21
THE IMPORTANCE OF MAINTENANCE	21
MAINTENANCE SAFETY	22
MAINTENANCE SCHEDULE.....	23
REFUELING.....	24
FUEL RECOMMENDATIONS	25
ENGINE OIL LEVEL CHECK.....	26
ENGINE OIL CHANGE	27
CLEAN/INSPECT ENGINE OIL FILTER	27
ENGINE OIL RECOMMENDATION	28
STORAGE.....	30
STORAGE PREPARATION	30
TRANSPORTING	31

CONTENTS

TRUBLE SHOOTING	32
ENGINE DOES NOT START	32
WHITE OR BLACK EXHAUST SMOKE.....	32
NO PUMP OUTPUT	33
LOW PUMP OUTPUT	33
TECHNICAL INFORMATION	34
SPECIFICATION.....	34

PUMP SAFETY

IMPORTANT SAFETY INFORMATION

Husqvarna W 100D pumps are designed to pump only fresh water that is not intended for human consumption; other uses can result in injury to the operator or damage to the pump and other property.

Most injuries or property damage can be prevented if you follow all instructions in this manual and on the pump. The most common hazards are discussed below, along with the best way to protect yourself and others.

Operator Responsibility

It is the operator's responsibility to provide the necessary safeguards to protect people and property. Know how to stop the pump quickly in case of emergency. If you leave the pump for any reason, always turn the engine off. Understand the use of all controls and connections.

Be sure that anyone who operates the pump receives proper instruction. Do not let children operate the pump. Keep children and pets away from the area of operation.

Pump Operation

Pump only fresh water that is not intended for human consumption. Pumping flammable liquids, such as gasoline or fuel oils, can result in a fire or explosion, causing serious injury. Pumping sea water, beverages, acids, chemical solutions, or any other liquid that promotes corrosion can damage the pump.

Refuel With Care

Diesel is extremely flammable.

Refuel outdoors, in a well-ventilated area, with the engine stopped and the pump on a level surface. Do not fill the fuel tank above the fuel strainer shoulder. Never smoke near diesel, and keep other flames and sparks away. Always store diesel in an approved container. Make sure that any spilled fuel has been wiped up before starting the engine.

PUMP SAFETY

Hot Exhaust

The muffler becomes very hot during operation and remains hot for a while after stopping the engine. Be careful not to touch the muffler while it is hot. Let the engine cool before transporting the pump or storing it indoors.

To prevent fire hazards, keep the pump at least 3 feet (1 meter) away from building walls and other equipment during operation. Do not place flammable objects close to the engine.

Carbon Monoxide Hazard

Your water pump's exhaust contains poisonous carbon monoxide gas, which you cannot see or smell.

Breathing carbon monoxide can KILL YOU IN MINUTES.

For your safety:

- Do not start or operate the engine in any closed or partially enclosed area, such as a garage.
- Never run the water pump in a closed or even partially closed area where people or pets may be present.
- Never operate the water pump near open doors, windows, or vents.
- Get fresh air and seek medical attention immediately if you suspect you have inhaled carbon monoxide.

Early symptoms of carbon monoxide exposure include headache, fatigue, shortness of breath, nausea, and dizziness. Continued exposure to carbon monoxide can cause loss of muscular coordination, loss of consciousness, and then death.

SAFETY LABEL

The labels shown here contain important safety information.
Please read them carefully.



WARNING! Careless or incorrect use can result in serious or fatal injury to the operator or others.



Please read the operator's manual carefully and make sure you understand the instructions before using the machine.



Use a helmet with hearing protector



Operation of this equipment may create sparks.



WARNING marking concerning Risk of Respiratory Injury.
Operate engine **OUTSIDE** and far away



Keep hands away from the rolling part.



Be care of hot surface



WARNING marking concerning Risk of Fire while handling fuel.
Do not smoke while handling fuel.

ATTENTION

Must fill enough water into the pump before starting. The remainder water in pump with high temperature is dangerous for you. Please shut down the engine after use.

MAINTAIN AIR CLEANER

Clean up the air cleaner core once every 50 hours (every 10 hours in unusually dusty circumstances). Clean the foam and paper element filter.

WARNING

This internal combustion engine produces exhaust that contains carbon monoxide, a poisonous gas. Never use the engine in a confined or closed area. Operate in a well ventilated area.

OPERATION NOTES

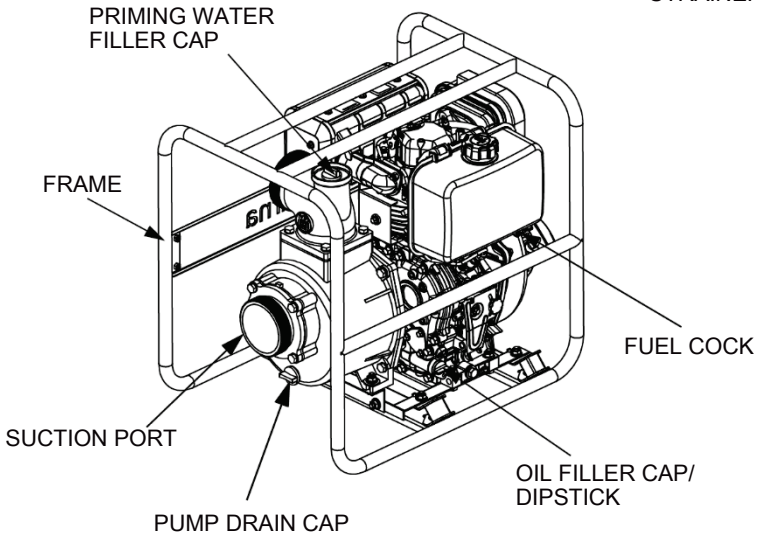
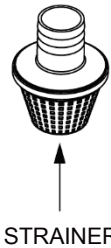
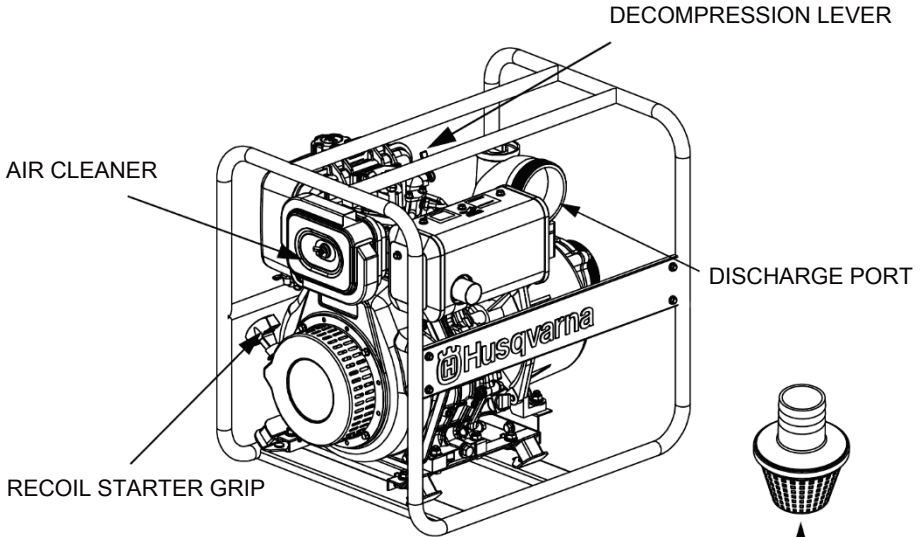
- Prior to operation please read the user's manual carefully
- This engine is shipped without oil in the crankcase, **BEFORE USE**, fill the crankcase with the proper engine oil. Consult the owners manual for oil specification and fill instructions.
- Check for fuel spills or leakage. **DO NOT** start the engine if fuel is present outside the fueltank.



ATTENTION
IF THE OIL LEVEL IS LOW, FILL OIL TO THE UPPER LEVEL.

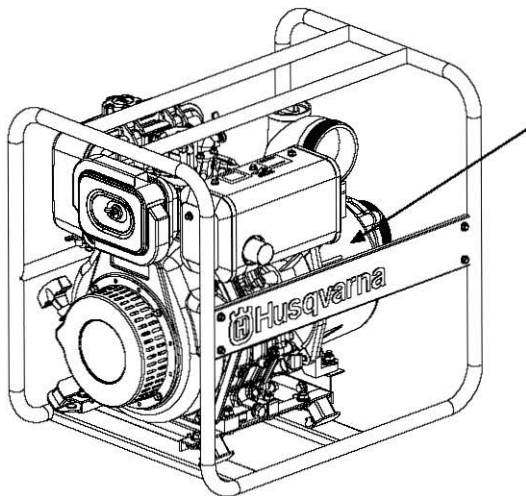
CONTROLS & FEATURES

W 100D



CONTROLS & FEATURES

NAME PLATE



Husqvarna		Prod. Year 0000
Serial No	000000000	
Article no.	XXX XX XX-XX	
Model	W 100D	
Inlet / Outlet size	100 mm	
Lift	25 m	
Suction	5 m	
Engine model	186FB	
Max Discharge Capacity (M /H)	92	
Max Power	6,3kW	
Weight	69 Kg	

HUSQVARNA AB
SE- 561 82 HUSKVARNA
SWEDEN

BEFORE OPERATION

READY TO GET START

Your safety is your responsibility. A little time spent in preparation will significantly reduce your risk of injury.

Knowledge

Read and understand this manual. Know what the controls do and how to operate them.

Familiarize yourself with the pump and its operation before you begin pumping. Know what to do in case of emergencies.

Be sure of what you are pumping. This pump is designed to pump only fresh water that is not intended for human consumption.

IS YOUR PUMP READY TO GO?

For your safety, and to maximize the service life of your equipment, it is very important to take a few moments before you operate the pump to check its condition. Be sure to take care of any problem you find, or have your servicing dealer correct it, before you operate the pump.

⚠WARNING

Improperly maintaining this pump, or failing to correct a problem before operation, could cause a malfunction in which you could be seriously injured.

Always perform a pre-operation inspection before each operation, and correct any problem.

To prevent a possible fire, keep the pump at least 3 feet (1 meter) away from building walls and other equipment during operation. Do not place flammable objects close to the engine.

Before beginning your pre-operation checks, be sure the pump is on a level surface and the stop switch is in the OFF position.

Check the General Condition of the Pump

- Before each use, look around and underneath the engine for signs of oil or diesel leaks.
- Remove any excessive dirt or debris, especially around the engine muffler and recoil starter.
- Look for signs of damage.
- Check that all nuts, bolts, screws, hose connectors and clamps are tightened.

BEFORE OPERATION

Check the Suction and Discharge Hoses

- Check the general condition of the hoses. Be sure the hoses are in serviceable condition before connecting them to the pump. Remember that the suction hose must be reinforced construction to prevent hose collapse.
- Check that the sealing washer in the suction hose connector is in good condition.
- Check that the hose connectors and clamps are securely installed.
- Check that the strainer is in good condition and is installed on the suction hose.

Check the Engine

- Before each use, look around and underneath the engine for signs of oil or diesel leaks.
- Check the engine oil level. Running the engine with a low oil level can cause engine damage.
- Check the air filter. A dirty air filter will restrict air flow to the carburetor, reducing engine and pump performance.
- Check the fuel level. Starting with a full tank will help to eliminate or reduce operating interruptions for refueling.

OPERATION

SAFE OPERATING PRECAUTIONS

To safely realize the full potential of this pump, you need a complete understanding of its operation and a certain amount of practice with its controls.

Before operating the pump for the first time, please review the **IMPORTANT SAFETY INFORMATION** on page 5 and the chapter titled **BEFORE OPERATION**.

For your safety, avoid starting or operating the engine in an enclosed area, such as a garage. Your engine's exhaust contains poisonous carbon monoxide gas that can collect rapidly in an enclosed area and cause illness or death.

⚠WARNING

Exhaust contains poisonous carbon monoxide gas that can build up to dangerous levels in closed areas. Breathing carbon monoxide can cause unconsciousness or death.

Never run the engine in a closed, or even partly closed area where people may be present.

Pump only fresh water that is not intended for human consumption. Pumping flammable liquids, such as diesel or fuel oils, can result in a fire or explosion, causing serious injury. Pumping sea water, beverages, acids, chemical solutions, or any other liquid that promotes corrosion can damage the pump.

OPERATION

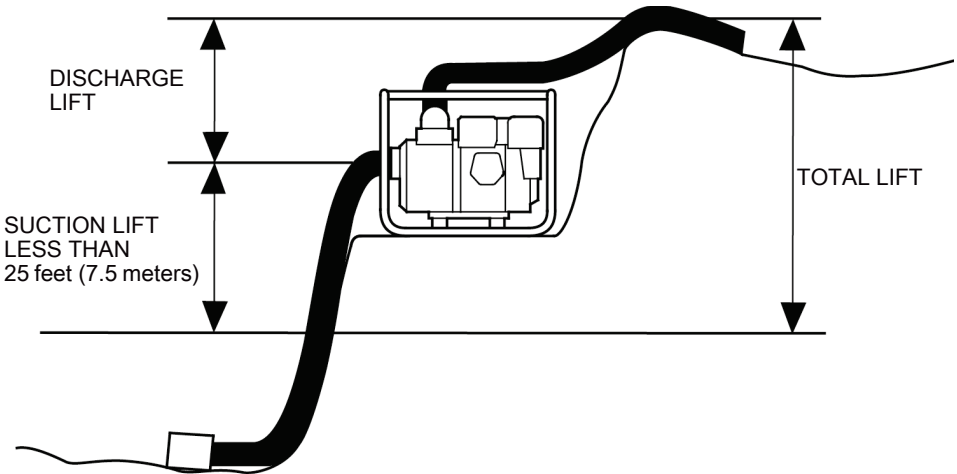
PUMP PLACEMENT

For best pump performance, place the pump on a firm, level surface, and near the water level, and use hoses that are no longer than necessary. That will enable the pump to produce the greatest output with the least self-priming time.

As lift (pumping height) increases, pump output decreases. The length, type, and size of the suction and discharge hoses can also significantly affect pump output.

Discharge lift capability is always greater than suction lift capability, so it is important for suction lift to be the shorter part of total lift. The maximum available suction lift will vary based on the operating conditions. However, the suction lift can never exceed 25 feet (7.5 meters) and should always be kept as low as possible.

Minimizing suction lift (placing the pump near the water level) is also very important for reducing self-priming time. Self-priming time is the time it takes the pump to bring water the distance of the suction lift during initial operation.



SUCTION HOSE INSTALLATION

Use a commercially available hose and hose connector with the hose clamp provided with the pump (if necessary). Most hoses come with the connectors already installed. The suction hose must be reinforced with a noncollapsible wall or braided wire construction and cannot contain any perforations.

Do not use a hose smaller than the pump's suction port size. Minimum hose size: $W 100D=4$ inch (100 mm)

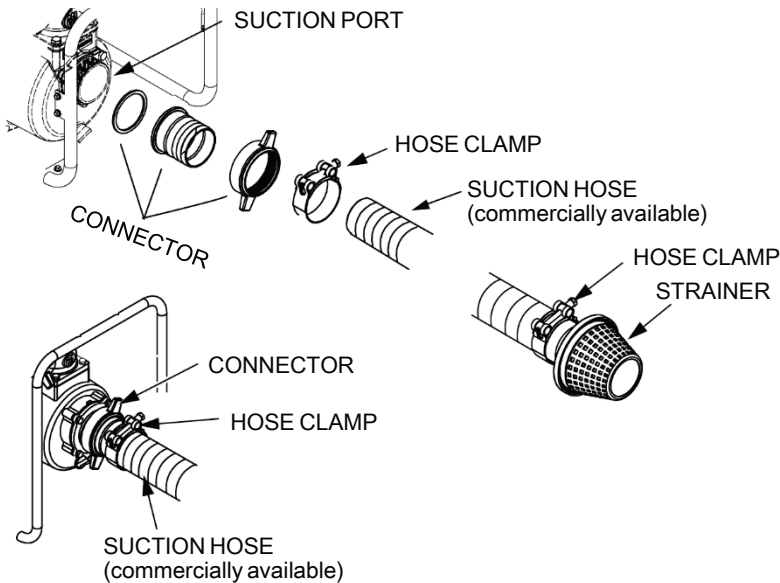
The suction hose should be no longer than necessary. Pump performance is best when the pump is near the water level and the hoses are short.

Use a hose clamp to securely fasten the hose connector to the suction hose in order to prevent air leakage and loss of suction. Verify that the hose connector sealing washer is in good condition.

Install the strainer (provided with the pump) one with equivalent hole sizes on the other end of the suction hose, and secure it with a hose clamp. The strainer will help to prevent the pump from becoming clogged or damaged by debris.

Never operate the pump without the strainer installed.

Securely tighten the hose connector on the pump suction port.



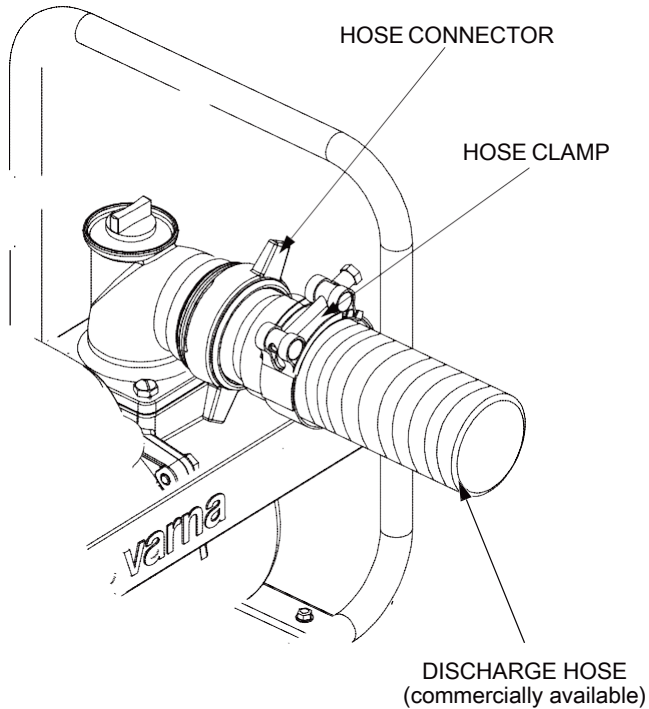
OPERATION

DISCHARGE HOSE INSTALLATION

Use a commercially available hose and hose connector with the hose clamp provided with the pump (if necessary).

It is best to use a short, large-diameter hose, because that will reduce fluid friction and improve pump output. A long or small-diameter hose will increase fluid friction and reduce pump output.

Tighten the hose clamp securely to prevent the discharge hose from disconnecting under pressure.



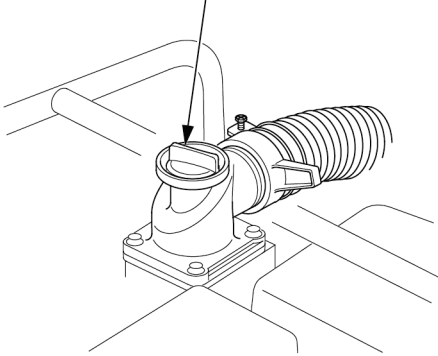
PRIMING THE PUMP

Before starting the engine, remove the filler cap from the pump chamber. Fill the pump chamber to the undersurface of the discharge port with water. Reinstall the filler cap and tighten it securely.

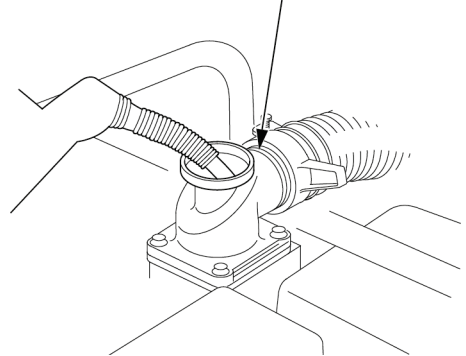
NOTICE

Operating the pump dry will destroy the pump seal. If the pump has been operated dry, stop the engine immediately, and allow the pump to cool before priming.

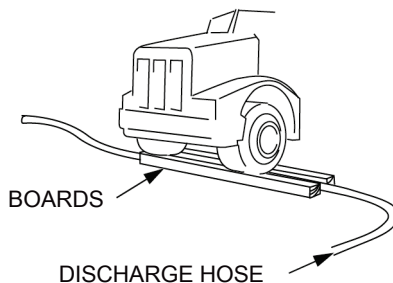
PRIMING WATER FILLER CAP



DISCHARGE PORT



If the discharge hose must run across a roadway, the hose should cross the roadway perpendicular to traffic flow. Also, heavy boards should be placed next to the hose so the motor vehicle weight does not shut off the discharge as vehicles cross over the hose.

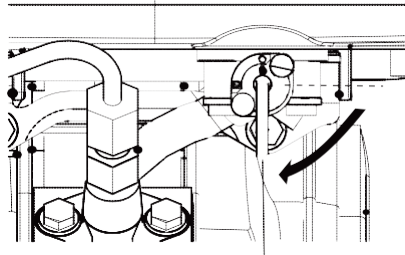


Driving over a discharge hose while the pump is running, or even possibly when the pump is stopped, may cause pump case failure.

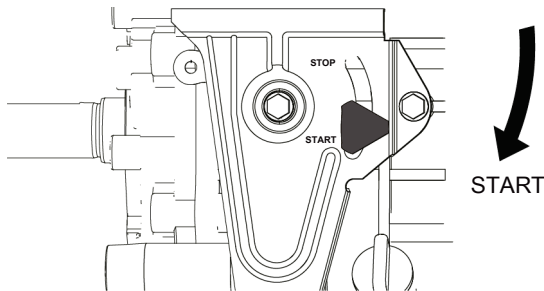
OPERATION

STARTING THE ENGINE

1. Fill fuel and engine oil.
2. Prime the pump.
3. Open the fuel cock



4. Adjust governor control handle bar to position of “START” and tighten it.



5. Press down decompression lever, and pull recoil starter.
 - a. Pull recoil starter until the resistance is felt, and then return the hand back to previous position.
 - b. Push the decompression lever down and release it. After the start of diesel engine, decompression lever will return to its previous position automatically.

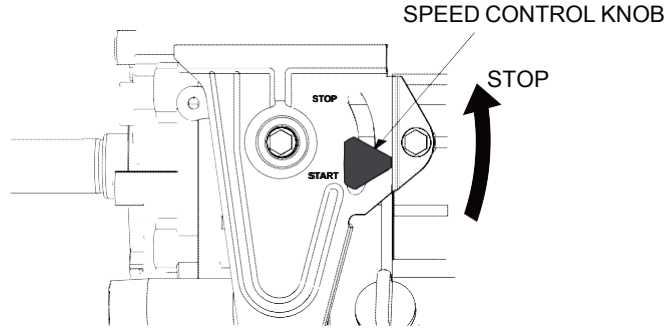
- c. Start: pull the handle starter all the way out with a strong and even motion. Use two hands if necessary.
- d. If the engine is not started, start from action “a” and repeat it again. After start, return recoil handle bar back lightly, and do not let it spring back suddenly.

OPERATION

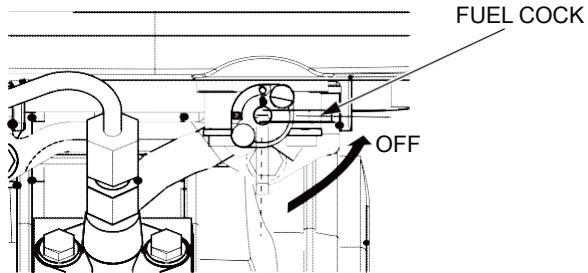
STOPPING THE ENGINE

Follow these steps to shut down the engine,

1. Untighten the knob, release it, will return to “STOP” position. The engine been shut down.



2. Turn the fuel cock to the OFF position.



MAINTENANCE

THE IMPORTANCE OF MAINTENANCE

Good maintenance is essential for safe, economical, and trouble-free operation. It will also help reduce air pollution.

⚠WARNING

Improperly maintaining this pump, or failure to correct a problem before operation, can cause a malfunction in which you can be seriously hurt or killed.

Always follow the inspection and maintenance recommendations and schedules in this owner's manual.

To help you properly care for your pump, the following pages include a maintenance schedule, routine inspection procedures, and simple maintenance procedures using basic hand tools. Other service tasks that are more difficult, or require special tools, are best handled by professionals and are normally performed by the Husqvarna dealers.

The maintenance schedule applies to normal operating conditions. If you operate your pump under severe conditions, such as sustained high-load or high-ambient temperature operation, or use in unusually wet or dusty conditions, consult your servicing dealer for recommendations applicable to your individual needs and use.

Remember that your servicing dealer knows your pump best and is fully equipped to maintain and repair it.

MAINTENANCE

MAINTENANCE SAFETY

Daily and periodic maintenance is important to keep the engine in good operating condition. The following is a summary of maintenance items by periodic maintenance intervals. Periodic maintenance intervals vary depending on engine application, loads, diesel fuel and engine oil used and are hard to establish definitively. The following should be treated only as a general guideline.

MAINTENANCE SCHEDULE

o: Check ★: Replace

System	Check Item	Periodic Maintenance Interval			
		Daily	Every 50 hours	Every 200 hours	Every 400 hours
Air Intake	Clean or Replace Air Cleaner Element – May Need More Frequent Service in Dusty Conditions			o	★
Engine Oil	Check Engine Oil Level & Add Engine Oil As Necessary	o			
	Drain and Refill Engine Oil		★ 1st time	★ 2nd time	
	Clean Engine Oil Filter – Replace If Damaged				★ 2nd & after
	Check for Engine Oil Leakage	o before & after operation			
Engine Speed Control	Check for Proper Operation Verify Adjustment	o 1st time		o 2nd & after	
Fuel	Check Fuel Tank Level & Add Fuel As Necessary	o before operation			
	Drain & Clean Fuel Tank			o	
	Clean Inlet Fuel Screen		o		
	Replace Outlet Filter			o	★
	Check for Fuel Leakage	o before & after operation			

- (1) Service more frequently when used in dusty areas.
- (2) These items should be serviced by your local dealer, unless you have the proper tools and are mechanically proficient.

MAINTENANCE

REFUELING

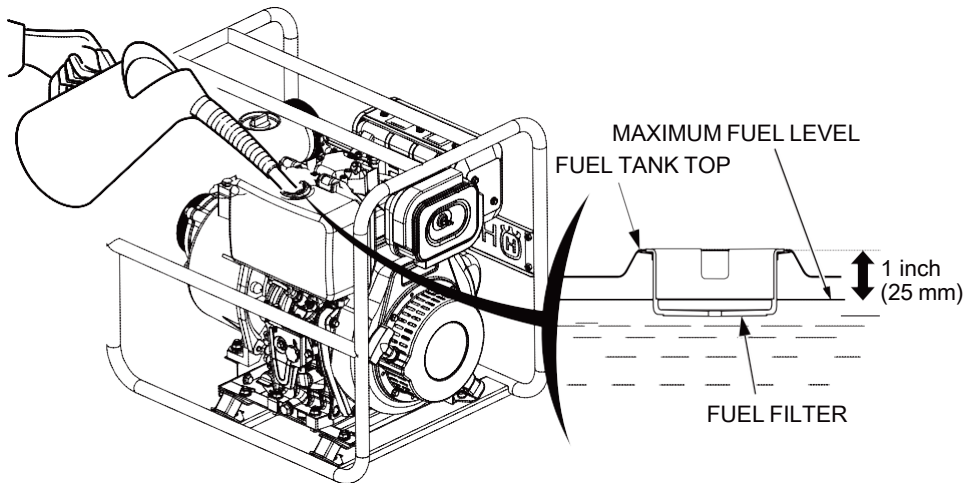
With the engine stopped and on a level surface, remove the fuel tank cap and check the fuel level. Refill the tank if the fuel level is low.

⚠WARNING

Diesel is highly flammable and explosive.

You can be burned or seriously injured when handling fuel.

- Stop the engine and keep heat, sparks, and flame away.
- Handle fuel only outdoors.
- Wipe up spills immediately.



Refuel in a well-ventilated area before starting the engine. If the engine has been running, allow it to cool. Refuel carefully to avoid spilling fuel. Do not fill the fuel tank completely. Fill tank to approximately 1 inch (25 mm) below the top of the fuel tank to allow for fuel expansion. It may be necessary to lower the fuel level depending on operating conditions. After refueling, tighten the fuel tank cap securely.

Never refuel the engine inside a building where gasoline fumes may reach flames or sparks. Keep gasoline away from appliance pilot lights, barbecues, electric appliances, power tools, etc.

Spilled fuel is not only a fire hazard, it causes environmental damage. Wipe up spills immediately.

NOTICE

Fuel can damage paint and plastic. Be careful not to spill fuel when filling your fuel tank. Damage caused by spilled fuel is not covered under warranty.

FUEL RECOMMENDATIONS

This engine is certified to operate on diesel with a pump cetane number should be equal to 45 or higher.

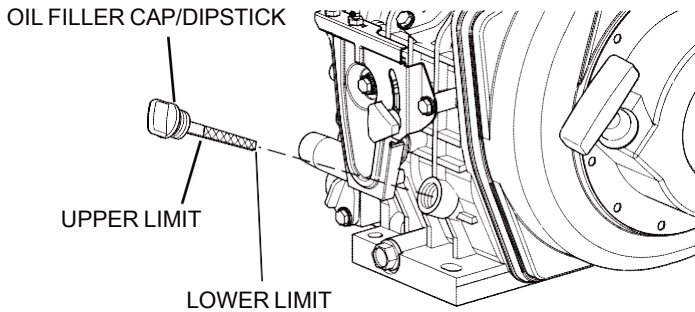
Diesel Fuel Specification	Location
No. 2-D, No. 1-D, ASTM D975-94	USA
EN590:96	European Union
ISO 8217 DMX	International
BS 2869-A1 or A2	United Kingdom
JIS K2204 Grade No.2	Japan
KSM-2610	Korea
GB252	China

MAINTENANCE

ENGINE OIL LEVEL CHECK

Check the engine oil level with the engine stopped and in a level position.

1. Remove the oil filler cap/dipstick from either location and wipe it clean.
2. Fully insert the oil filler cap/dipstick but do not screw in.
3. Remove oil cap/dipstick. The oil should be between upper and lower line on the oil filler cap/dipstick.
4. Screw in the oil filler cap/dipstick securely.



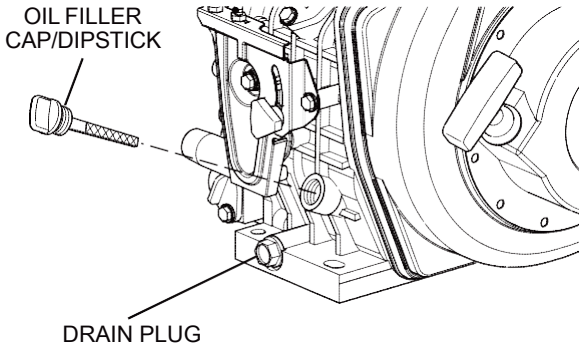
NOTICE

Running the engine with a low oil level can cause engine damage.

ENGINE OIL CHANGE

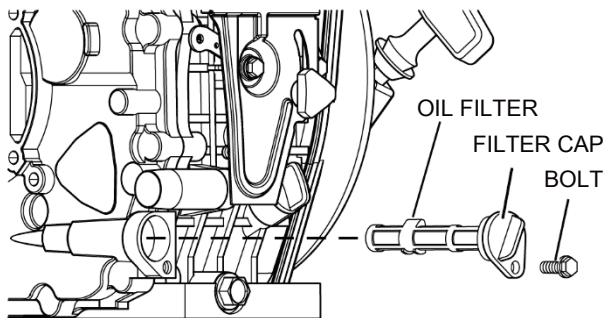
The engine oil on a new engine becomes contaminated from the initial break-in in internal parts. The initial 50 hours oil change and filter cleaning is very important.

Drain the used oil while the engine is warm. Warm oil drains quickly and completely.



1. Position a container under the engine to collect waste oil.
2. Remove the drain plug located on the bottom of the cylinder block. Allow oil to drain.
3. After all oil has been drained from the engine, install the drain plug and tighten.
4. Dispose of used oil properly.

CLEAN/INSPECT ENGINE OIL FILTER



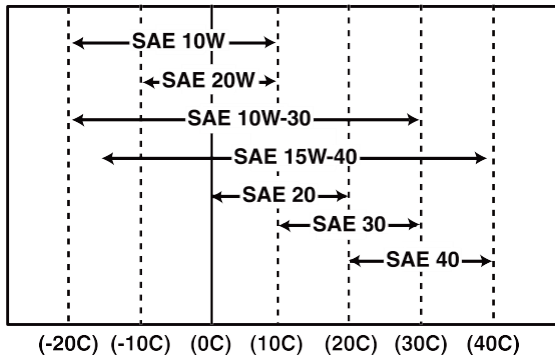
MAINTENANCE

Clean / inspect the engine oil filter as follow:

1. Remove the oil filter retaining bolt.
2. Pull the oil filter cap out and remove the oil filter.
3. Clean the oil filter or replace if damaged.
4. Install the oil filter.
5. Make sure the oil filter cap is fully seated.
6. Install and tighten the oil filter retaining bolt.

ENGINE OIL RECOMMENDATION

Select the appropriate engine oil viscosity based on the ambient temperature and use the SAE Service Grade Viscosity.



SAE 10W-30 is recommended for general use. Other viscosities shown in the chart may be used when the average temperature in your area is within the recommended range.

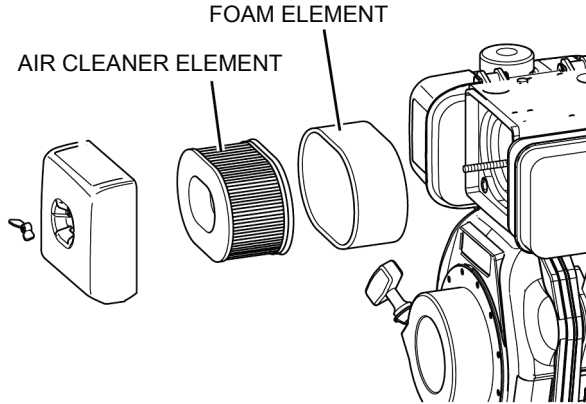
MAINTENANCE

AIR FILTER CLEANING

The engine performance is adversely affected when the air filter element is clogged with dust. Be sure to clean the air filter element periodically.

Blow air through elements using 0.29 to 0.49Mpa (3.0 5.0kgf/cm²) air to remove the particulates. Use lowest possible air pressure to remove the dust without damaging the element.

If either element damaged replace it.

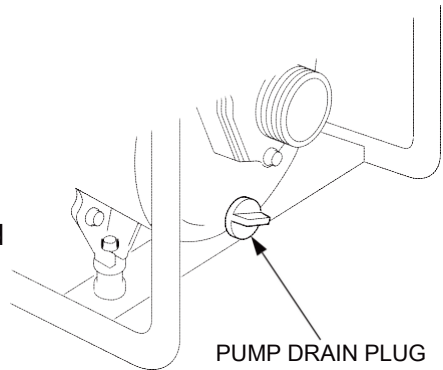


STORAGE

STORAGE PREPARATION

Proper storage preparation is essential for keeping your pump trouble-free and looking good.

1. Wash the engine and pump.
2. Recoil start diesel engine,
 - (a) Set the decompression lever down and hold it while slowly pulling the recoil starter 2 or 3 times. Do not start the engine.
 - (b) Pull the decompression lever up. Pull the recoil starter slowly and stop when there is resistance. This procedure closes the intake and exhaust valves in the compression position and prevent rust.
3. Remove the pump drain plug, and flush the pump with clean, fresh water. Allow the water to drain from the pump chamber, and then reinstall the drain plug.
4. After the pump is clean and dry, touch up any damaged paint, and coat areas that may rust with a light film of oil.



TRANSPORTING

If the pump has been running, allow the engine to cool for at least 15 minutes before loading the pump on the transport vehicle. A hot engine and exhaust system can burn you and can ignite some materials.

Keep the pump level when transporting to reduce the possibility of fuel leakage. Move the fuel cock to the OFF position.

TROUBLE SHOOTING

Engine Does Not Start

SYMPTOM	PROBABLE CAUSE	ACTION
Starter motor operates but engine does not start	No diesel fuel	Refuel fuel system
	Improper diesel fuel	Replace with recommended diesel fuel
	Clogged fuel filter	Replace fuel filter
	Poor fuel injection	Consult local dealer
	Compressed air leakage from intake / exhaust valves	
	Faulty engine stop solenoid (if equipped)	
Engine cannot be manually turned	Inner parts seized or damaged	Consult local dealer

White or Black Exhaust Smoke

SYMPTOM	PROBABLE CAUSE	ACTION
Black exhaust smoke	Engine overloaded	Reduce load
	Clogged air cleaner element	Clean element or replace
	Improper diesel fuel	Replace with recommended diesel fuel
	Faulty spraying of fuel injection	Consult local dealer
	Excessive intake / exhaust valve clearance	
White exhaust smoke	Improper diesel fuel	Replace with recommended diesel fuel
	Faulty spray pattern of fuel injection	Consult local dealer
	Fuel injection timing delay	
	Engine burning oil	

TROUBLE SHOOTING

No Pump Output

Possible Problem	Action
Pump is placed on inappropriate places.	Place the pump on a firm, level surface.
Pump not primed.	Prime pump.
Hose collapsed, cut or punctured.	Replace suction hose.
Strainer not completely underwater.	Sink the strainer and the end of the suction hose completely underwater.
Air leak at connector.	Replace sealing washer if missing or damaged. Tighten hose connector and clamp.
Strainer clogged.	Clean debris from strainer.
Strainer damaged.	Replace strainer.
Excessive head.	Relocate pump and/or hoses to reduce head.
Engine lacks power.	See page 41.

Low Pump Output

Possible Problem	Action
Pump is placed on inappropriate places.	Place the pump on a firm, level surface.
Hose collapsed, damaged, too long, or diameter too small.	Replace suction hose.
Air leak at connector.	Replace sealing washer if missing or damaged. Tighten hose connector and clamp.
Strainer clogged.	Clean debris from strainer.
Strainer damaged.	Replace strainer.
Hose damaged, too long, or diameter too small.	Replace discharge hose.
Marginal head.	Relocate pump and/or hoses to reduce head.
Engine lacks power.	See page 41.

TECHNICAL INFORMATION

Specifications

W 100D

Model	W 100D
Inlet / Outlet size	100 mm
Lift	25 m
Suction	5 m
Engine model	186FB
Max Discharge Capacity (M /H)	92
Max Power	6,3kW
Weight	69 Kg

INTRODUCCIÓN

Gracias por elegir una bomba de agua Husqvarna.

Este manual tiene como objetivo ayudarle a sacar el máximo partido de su nueva bomba de agua y a usarla de forma segura.

A medida que lea este manual, encontrará información precedida por el símbolo **AVISO**. Esta información tiene como objetivo ayudarle a evitar daños en la bomba de agua, en otros bienes o en el medio ambiente.

INTRODUCCIÓN


SEGURIDAD

Su seguridad personal y la de los demás es muy importante. Y utilizar esta bomba de agua de forma segura es una responsabilidad importante.

Para ayudarle a utilizar la bomba de agua de forma segura, hemos facilitado procedimientos de uso y otra información en etiquetas y en este manual. Esta información le avisa sobre los posibles peligros que pueden ser perjudiciales para usted o para otras personas.

No es práctico ni viable advertirle de todos los posibles riesgos relacionados con el uso o el mantenimiento de una bomba de agua. Debe aplicar su propio criterio.

Encontrará información importante en materia de seguridad de diversas formas como, por ejemplo:

- Etiquetas de seguridad en la bomba.
- Mensajes de seguridad precedidos por un símbolo de aviso  y una de estas tres palabras: PELIGRO, ADVERTENCIA O PRECAUCIÓN.

Estas palabras significan:

SÍMBOLOS DE ADVERTENCIA Y DEFINICIONES	
	Se trata del símbolo de aviso. Se utiliza para avisarle del peligro de posibles lesiones personales. Para evitar posibles lesiones o la muerte, obedezca todos los mensajes de seguridad precedidos por este símbolo.
 DANGER	Indica una situación peligrosa que, si no se evita, provocará daños graves o la muerte.
 WARNING	Indica una situación peligrosa que, si no se evita, podría resultar en lesiones graves o la muerte.
 CAUTION	Indica una situación peligrosa que, si no se evita, podría provocar daños leves o moderados.
NOTICE CAUTION	Indica prácticas no relacionadas con daños personales.

ÍNDICE

SEGURIDAD DE LA BOMBA.....	39
INFORMACIÓN IMPORTANTE DE SEGURIDAD	39
ETIQUETA DE SEGURIDAD	41
CONTROLES Y CARACTERÍSTICAS	42
Placa de identificación.....	43
ANTES DEL USO	44
¿LISTO PARA EMPEZAR?.....	44
¿ESTÁ LISTA LA BOMBA?	45
Comprobación del estado general de la bomba.....	45
Comprobación de las mangueras de aspiración y descarga	46
Comprobación del motor.....	46
FUNCIONAMIENTO.....	47
PRECAUCIONES PARA EL FUNCIONAMIENTO SEGURO.....	47
COLOCACIÓN DE LA BOMBA.....	48
INSTALACIÓN DE LA MANGUERA DE ASPIRACIÓN	49
INSTALACIÓN DE LA MANGUERA DE DESCARGA	50
CEBADO DE LA BOMBA.....	51
ARRANQUE DEL MOTOR.....	52
PARADA DEL MOTOR	54
MANTENIMIENTO	55
IMPORTANCIA DEL MANTENIMIENTO	55
SEGURIDAD EN EL MANTENIMIENTO.....	56
CALENDARIO DE MANTENIMIENTO.....	57
REPOSTAJE.....	58
RECOMENDACIONES SOBRE EL COMBUSTIBLE.....	59
REVISIÓN DEL NIVEL DE ACEITE DEL MOTOR.....	60
CAMBIO DEL ACEITE DEL MOTOR.....	61
LIMPIEZA/INSPECCIÓN DEL FILTRO DE ACEITE DEL MOTOR.....	61
RECOMENDACIONES SOBRE EL ACEITE DEL MOTOR ...	62
ALMACENAMIENTO.....	64
PREPARACIÓN PARA EL ALMACENAMIENTO.....	64

ÍNDICE

TRANSPORTE	65
RESOLUCIÓN DE PROBLEMAS.....	66
EL MOTOR NO ARRANCA.....	66
GASES DE ESCAPE DE COLOR BLANCO O NEGRO	66
LA BOMBA NO PROPORCIONA SALIDA	67
LA BOMBA PROPORCIONA POCA SALIDA	67
INFORMACIÓN TÉCNICA	68
ESPECIFICACIONES	68

SEGURIDAD DE LA BOMBA

INFORMACIÓN IMPORTANTE DE SEGURIDAD

Las bombas Husqvarna W 100D se han diseñado para bombear solo agua dulce no destinada al consumo humano; cualquier otro uso puede causar lesiones al usuario o daños en la bomba y en otros bienes.

Podrá evitar la mayoría de los daños personales o materiales si sigue todas las instrucciones de este manual y de la bomba. A continuación se describen la mayoría de peligros más habituales, así como los métodos recomendados para su seguridad personal y la de los demás.

Responsabilidad del usuario

El usuario es responsable de facilitar todas las medidas de protección necesarias para proteger tanto a las personas como los bienes. Aprenda a detener la bomba con rapidez en caso de emergencia. Si se aleja de la bomba por cualquier motivo, apague siempre el motor. Familiarícese con el uso de todos los controles y conexiones.

Asegúrese de que cualquiera que use la bomba reciba las instrucciones adecuadas. No deje que los niños manejen la bomba. Mantenga a niños y animales alejados de la zona de trabajo.

Funcionamiento de la bomba

Solo podrá bombear agua dulce no destinada para el consumo humano. El bombeo de líquidos inflamables, como gasolina o combustibles, puede provocar un incendio o una explosión, lo que podría provocar lesiones graves. El bombeo de agua del mar, bebidas, ácidos, soluciones químicas o cualquier otro líquido corrosivo puede dañar la bomba.

Reposte con cuidado

El combustible diésel es muy inflamable. Reposte al aire libre, en un lugar bien ventilado, con el motor parado y la bomba en una superficie llana. No llene el depósito de combustible por encima del reborde del filtro de combustible. Nunca fume cerca del combustible diésel, y mantenga las llamas y chispas alejadas. Guarde siempre el combustible diésel en un recipiente homologado. Antes de poner en marcha el motor, limpie cualquier resto de combustible derramado.

SEGURIDAD DE LA BOMBA

Escape caliente

El silenciador se calienta mucho durante el funcionamiento y permanece caliente unos instantes tras apagar el motor. No toque el silenciador mientras esté caliente. Deje que el motor se enfríe antes de transportar la bomba o de guardarla en un recinto cerrado.

Para evitar el riesgo de incendio, mantenga la bomba a 1 metro (3 pies) como mínimo de paredes y otros equipos durante su funcionamiento. No coloque objetos inflamables cerca del motor.

Riesgo por monóxido de carbono

Los gases de escape de la bomba de agua contienen monóxido de carbono, un gas tóxico que no puede ver ni oler.

La inhalación de monóxido de carbono puede provocar la MUERTE EN CUESTIÓN DE MINUTOS.

Por su seguridad:

- No arranque ni haga funcionar el motor en un recinto cerrado o parcialmente cerrado, como un garaje.
- No haga funcionar la bomba de agua en un recinto cerrado o parcialmente cerrado en el que haya personas o animales.
- No haga funcionar la bomba de agua cerca de puertas, ventanas o salidas de ventilación abiertas.
- Si cree que ha podido inhalar monóxido de carbono, respire aire fresco y solicite atención médica de inmediato.

Los primeros síntomas de intoxicación por monóxido de carbono incluyen dolor de cabeza, fatiga, dificultad respiratoria, náuseas y mareo. La exposición continua al monóxido de carbono puede causar la pérdida de coordinación muscular, pérdida del conocimiento y, por último, la muerte.

ETIQUETA DE SEGURIDAD

Las etiquetas que se muestran aquí contienen información importante en materia de seguridad.

Léalas atentamente.



ADVERTENCIA: Su uso descuidado o erróneo puede provocar heridas graves o mortales al operador o terceros.



Lea detenidamente el manual de instrucciones y asegúrese de entender su contenido antes de utilizar la máquina.



Utilice un casco con protectores auriculares.



Este equipo puede generar chispas durante su funcionamiento.



ADVERTENCIA referente al riesgo de problemas respiratorios. Use el motor **AL AIRE LIBRE** y apártese de él.



Mantenga las manos alejadas de las piezas giratorias.



Preste atención a las superficies calientes.



ADVERTENCIA referente al riesgo de incendio mientras se manipula combustible. No fume mientras manipula combustible.

ATENCIÓN

Antes de poner en marcha la bomba, debe llenarla con una cantidad suficiente de agua. El agua que quede en la bomba se encuentra a alta temperatura y es peligrosa. Apague el motor después de su uso.

MANTENIMIENTO DEL FILTRO DE AIRE

Limpie el núcleo del filtro de aire una vez cada 50 horas (cada 10 horas en entornos particularmente polvorientos). Limpie el elemento de papel y de espuma.

ADVERTENCIA

Este motor de combustión interna genera unos gases de escape que contienen monóxido de carbono, un gas tóxico. No use nunca el motor en un recinto cerrado. Debe usarse en un lugar bien ventilado.

NOTAS SOBRE EL FUNCIONAMIENTO

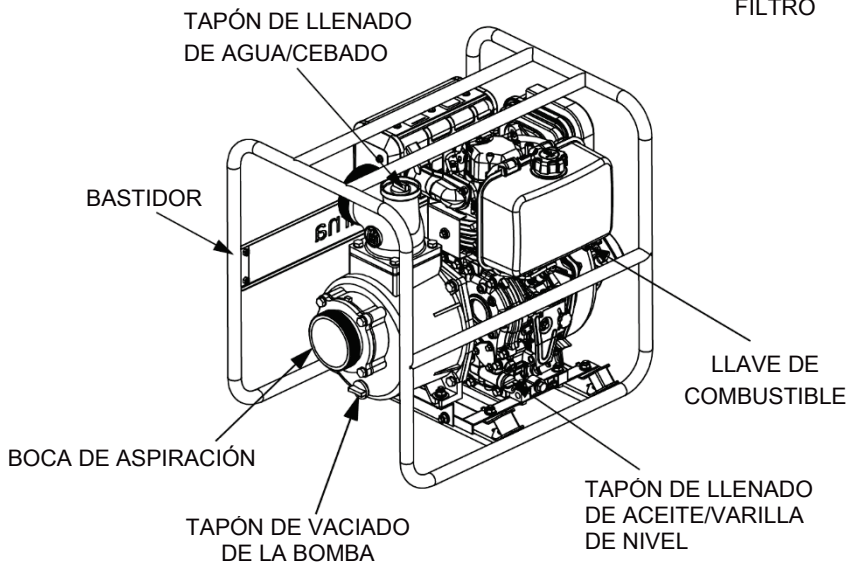
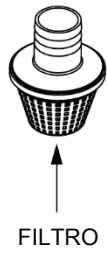
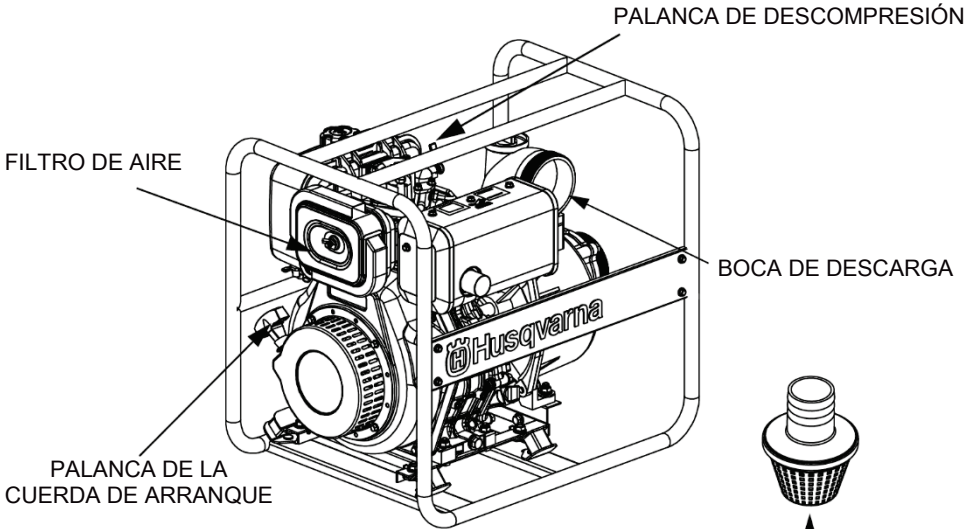
- Antes del uso, lea detenidamente el manual del usuario.
- Este motor se envía sin aceite en el cárter. **ANTES DE SU USO**, llene el cárter con un aceite de motor adecuado. Consulte el manual del propietario para conocer las especificaciones del aceite y leer las instrucciones de llenado.
- Compruebe si hay fugas o derrames de combustible. **NO** arranque el motor si hay combustible fuera del depósito.

ATENCIÓN

SI EL NIVEL DE ACEITE ES BAJO, AÑADA ACEITE HASTA ALCANZAR EL NIVEL SUPERIOR.

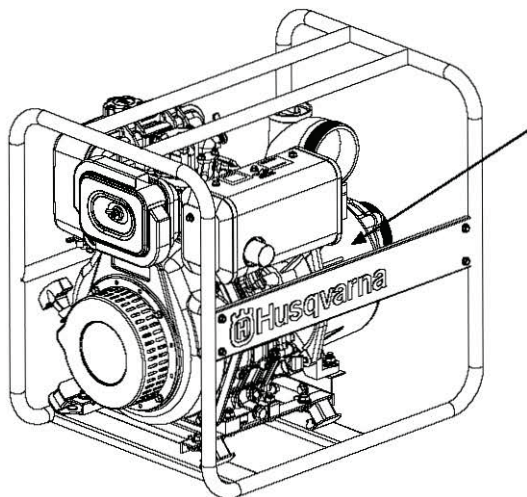
CONTROLES Y CARACTERÍSTICAS

W 100D



CONTROLES Y CARACTERÍSTICAS

PLACA DE IDENTIFICACIÓN



Husqvarna

Año de fabr. 0000

N.º de serie	000000000
N.º de artículo	XXX XX XX-XX
Modelo	W 100D
Tamaño de entrada/salida	100 mm
Elevación	25 m
Aspiración	5 m
Modelo de motor	186FB
Descarga máx.	
Capacidad (M/H)	92
Potencia máxima	6,3 kW
Peso	69 kg

HUSQVARNA AB
SE- 561 82 HUSKVARNA
SUECIA

ANTES DEL USO

¿LISTO PARA EMPEZAR?

Usted es responsable de su propia seguridad. Dedicar unos instantes a la preparación reducirá considerablemente el riesgo de lesiones.

Conocimientos

Lea detenidamente este manual. Familiarícese con la función y el uso de los controles.

Familiarícese con la bomba y su funcionamiento antes de comenzar la operación de bombeo. Aprenda a intervenir en caso de emergencia.

Determine el líquido que va a bombear. Esta bomba está diseñada para bombear solamente agua dulce no destinada para el consumo humano.

¿ESTÁ LISTA LA BOMBA?

Para su seguridad y para maximizar la vida útil del equipo, es muy importante dedicar unos instantes a revisar el estado de la bomba antes de usarla. Solucione cualquier problema que detecte o acuda a su taller de servicio para que lo solucione antes de poner en marcha la bomba.

▲ ADVERTENCIA

Si el mantenimiento de la bomba es incorrecto o no corrige un problema antes de ponerla en marcha, podría producirse una avería que podría causarle lesiones graves.

Realice siempre una inspección antes del funcionamiento y corrija cualquier problema que detecte.

Para evitar el riesgo de incendio, mantenga la bomba a 1 metro (3 pies) como mínimo de paredes y otros equipos durante su funcionamiento. No coloque objetos inflamables cerca del motor.

Antes de iniciar las inspecciones previas al funcionamiento, sitúe la bomba en una superficie nivelada y coloque el interruptor de parada en posición OFF.

Comprobación del estado general de la bomba

- Antes de cada uso, observe los alrededores del motor y debajo de este en busca de indicios de fugas de aceite o combustible diésel.
- Retire el exceso de suciedad o residuos, especialmente alrededor del silenciador del motor y la cuerda de arranque.
- Observe si hay indicios de daños.
- Compruebe que todas las tuercas, pernos, tornillos, conectores de manguera y abrazaderas estén bien apretados.

ANTES DEL USO

Comprobación de las mangueras de aspiración y descarga

- Revise el estado general de las mangueras. Asegúrese de que las mangueras están en buen estado antes de conectarlas a la bomba. Recuerde que la estructura de la manguera de aspiración debe estar reforzada para evitar el colapso.
- Compruebe que la arandela de sellado del conector de la manguera de aspiración se encuentra en buen estado.
- Compruebe que los conectores de la manguera y las abrazaderas estén bien instalados.
- Compruebe que el filtro esté en buen estado e instalado en la manguera de aspiración.

Comprobación del motor

- Antes de cada uso, observe los alrededores del motor y debajo de este en busca de indicios de fugas de aceite o combustible diésel.
- Compruebe el nivel de aceite del motor. Si el motor funciona con un nivel de aceite bajo, puede sufrir daños.
- Compruebe el filtro de aire. Un filtro de aire sucio impedirá que el aire llegue bien al carburador, lo cual reduce el rendimiento de la bomba y del motor.
- Compruebe el nivel de combustible. Empiece a trabajar con el depósito de combustible lleno para evitar o reducir las paradas para repostar.

FUNCIONAMIENTO

PRECAUCIONES PARA EL FUNCIONAMIENTO SEGURO

Para sacar el máximo partido a la bomba, debe conocer bien su funcionamiento y dominar sus controles.

Antes usar la bomba por primera vez, revise el apartado **INFORMACIÓN IMPORTANTE DE SEGURIDAD** en la página 39 y el capítulo **ANTES DEL USO**.

Para su seguridad, evite poner en marcha o hacer funcionar el motor en un recinto cerrado, como un garaje. Los gases de escape del motor contienen monóxido de carbono, un gas tóxico cuya concentración puede aumentar rápidamente en un recinto cerrado y provocar malestar o la muerte.

⚠ ADVERTENCIA

Los gases de escape contienen monóxido de carbono, un gas tóxico que puede alcanzar niveles peligrosos en recintos cerrados. La inhalación de monóxido de carbono puede causar la pérdida de conocimiento o la muerte.

No haga funcionar el motor en un recinto cerrado o parcialmente cerrado en el que haya personas.

Solo podrá bombear agua dulce no destinada para el consumo humano. El bombeo de líquidos inflamables, como diésel o combustibles, puede provocar un incendio o una explosión, lo que podría provocar lesiones graves. El bombeo de agua del mar, bebidas, ácidos, soluciones químicas o cualquier otro líquido corrosivo puede dañar la bomba.

FUNCIONAMIENTO

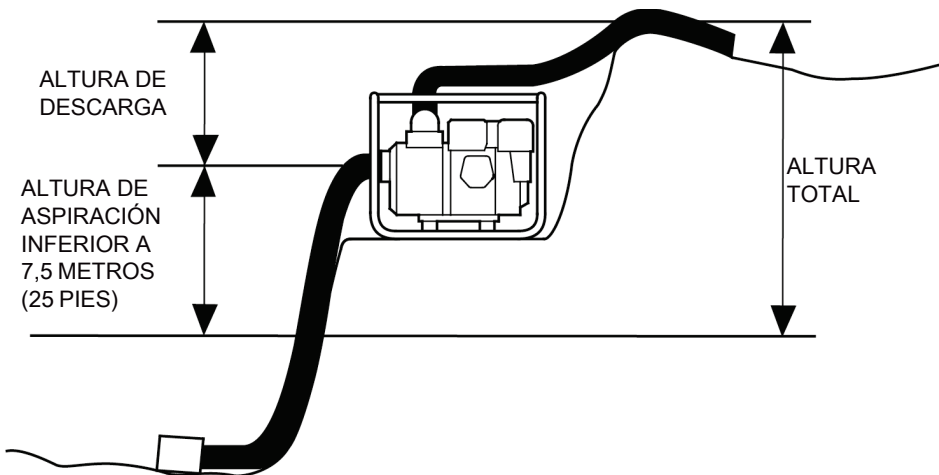
COLOCACIÓN DE LA BOMBA

Para que la bomba funcione a pleno rendimiento, sitúela en una superficie firme y nivelada, cerca del nivel del agua, y use unas mangueras cuya longitud no sea excesiva. De esta forma, la bomba ofrecerá una salida excepcional con un tiempo de autocebado mínimo.

La salida de la bomba disminuirá a medida que aumente la altura de bombeo. La salida de la bomba puede verse afectada también considerablemente por la longitud, el tipo y el tamaño de las mangueras de aspiración y descarga.

La capacidad de altura de descarga es siempre superior a la capacidad de altura de aspiración, por lo que la altura de aspiración debe ser siempre inferior. La altura de aspiración máxima disponible varía según las condiciones de funcionamiento. Sin embargo, la altura de aspiración nunca debe ser superior a 7,5 metros (25 pies) y debe ser siempre lo más baja posible.

Una altura de aspiración baja (cuando la bomba se encuentra cerca del nivel de agua) es también muy importante para reducir el tiempo de autocebado. El tiempo de autocebado es el tiempo que la bomba tarda en hacer que el agua recorra la altura de aspiración durante el funcionamiento inicial.



INSTALACIÓN DE LA MANGUERA DE ASPIRACIÓN

Utilice una manguera disponible en cualquier comercio y un conector de manguera con la abrazadera que se suministra con la bomba (si es necesario). La mayoría de las mangueras se suministran con los conectores ya instalados. La manguera de aspiración debe ser de tipo reforzado con una pared no colapsable o una estructura de alambre trenzado, y no debe estar pinchada.

No use una manguera con un tamaño inferior al de la boca de aspiración de la bomba. Tamaño mínimo de la manguera:
W 100D = 100 mm (4 pulgadas)

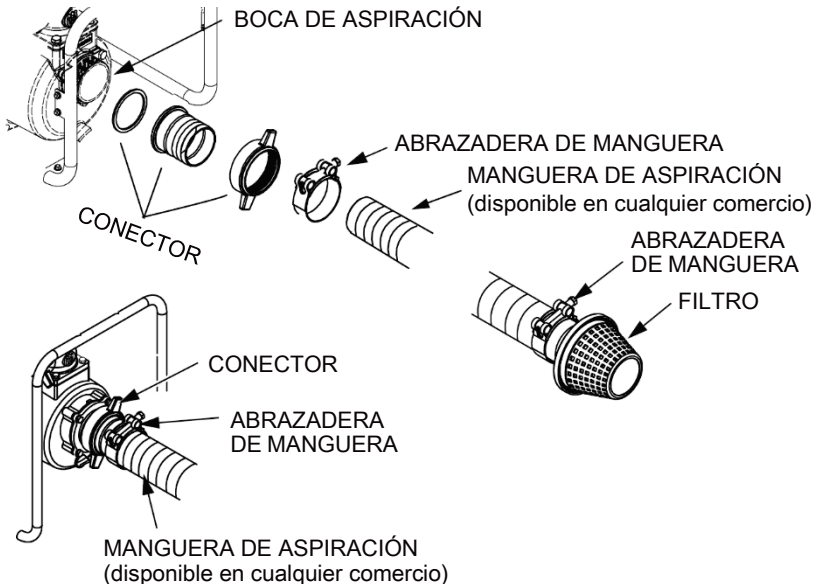
La manguera de aspiración debe tener una longitud adecuada que no sea excesiva. La bomba trabaja mejor si se encuentra cerca del nivel del agua y las mangueras son cortas.

Utilice una abrazadera para fijar firmemente el conector de la manguera a la manguera de aspiración a fin de evitar fugas de aire y la pérdida de aspiración. Verifique que la arandela de sellado del conector de la manguera se encuentre en buen estado.

Instale el filtro suministrado con la bomba o uno cuyos orificios tengan un tamaño similar en el otro extremo de la manguera de aspiración y fíjelo con una abrazadera para la manguera. El filtro evitará que la bomba se obstruya o sufra daños debido a la suciedad.

No use la bomba si no ha instalado el filtro.

Apriete con firmeza el conector de la manguera en la boca de aspiración de la bomba.



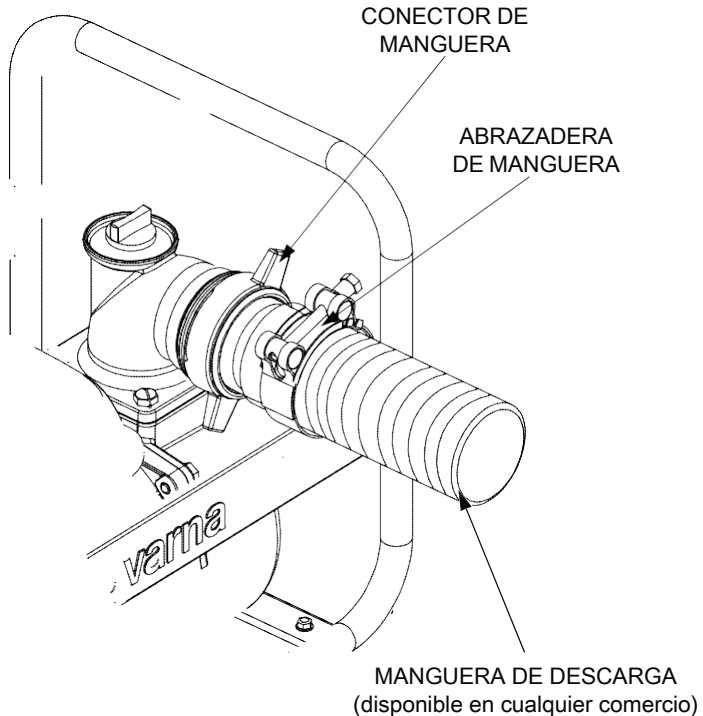
FUNCIONAMIENTO

INSTALACIÓN DE LA MANGUERA DE DESCARGA

Utilice una manguera disponible en cualquier comercio y un conector de manguera con la abrazadera que se suministra con la bomba (si es necesario).

Se recomienda utilizar una manguera corta de gran diámetro, ya que reducirá la fricción del líquido y mejorará la salida de la bomba. Una manguera larga o con un diámetro pequeño aumentará la fricción del líquido y reducirá la salida de la bomba.

Apriete la abrazadera para manguera de forma segura para evitar que la manguera de descarga se desconecte al estar sometida a presión.



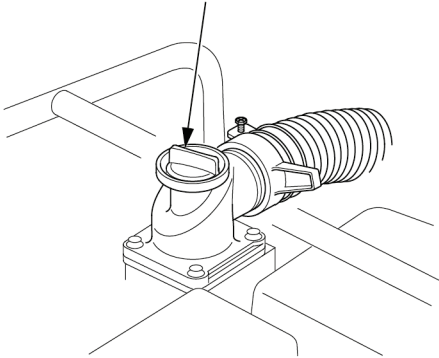
CEBADO DE LA BOMBA

Antes de arrancar el motor, quite el tapón de llenado de la cámara de la bomba. Llene de agua la cámara de la bomba hasta la línea superficial de la boca de descarga. Vuelva a instalar el tapón de llenado y apriételo firmemente.

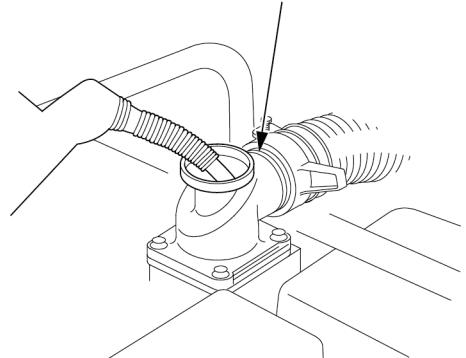
AVISO

Si la bomba funciona en seco, la junta de la bomba se estropeará. Si la bomba se ha usado en seco, detenga el motor inmediatamente y deje que la bomba se enfríe antes de proceder con el cebado.

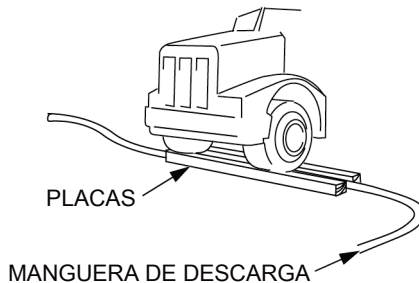
TAPÓN DE LLENADO DE AGUA/CEBADO



BOCA DE DESCARGA



Si la manguera de descarga debe atravesar una carretera, debe situarse en perpendicular al sentido del tráfico. Además, deben situarse unas placas resistentes junto a la manguera para que el peso de los vehículos no interrumpa la descarga cuando estos pasen por encima de la manguera.

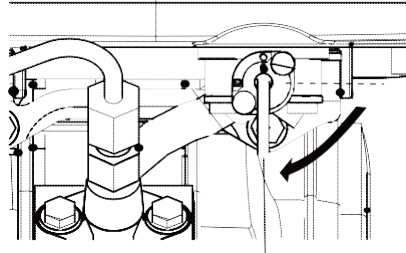


Si un vehículo pasa por encima de una manguera de descarga con la bomba en marcha o incluso cuando se haya parado, la bomba puede averiarse.

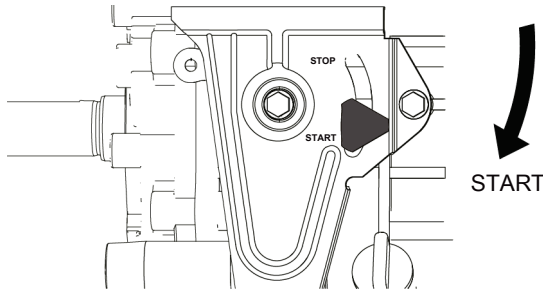
FUNCIONAMIENTO

ARRANQUE DEL MOTOR

1. Añada combustible y aceite de motor.
2. Cebe la bomba.
3. Abra la llave de combustible.



4. Ajuste la palanca de control del regulador en la posición "START" (arranque) y asegúrela.



5. Presione la palanca de descompresión y tire de la cuerda de arranque.
 - a. Tire de la cuerda de arranque hasta que perciba resistencia y, a continuación, retroceda a la posición anterior.
 - b. Presione la palanca de descompresión y suéltela. Cuando el motor diésel se ponga en marcha, la palanca de descompresión regresará a la posición anterior automáticamente.

c. Arranque: tire de la cuerda de arranque por completo con un movimiento fuerte y uniforme. Utilice las dos manos si es necesario.

d. Si el motor no arranca, empiece desde la acción "a" y repita el procedimiento.

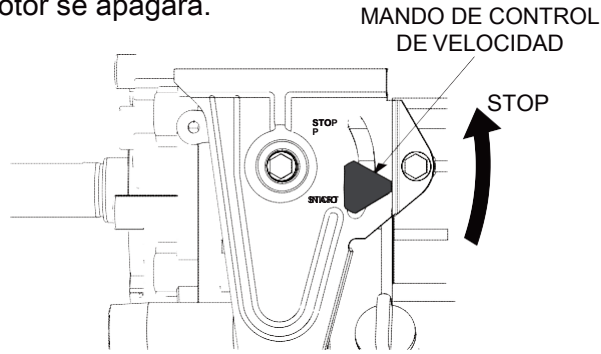
Después de arrancar, devuelva suavemente la palanca de la cuerda de arranque a su posición y evite que lo haga bruscamente.

FUNCIONAMIENTO

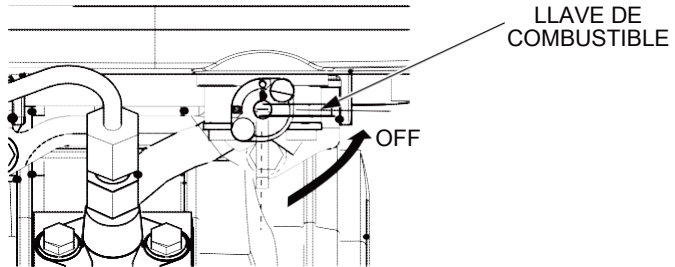
PARADA DEL MOTOR

Siga estos pasos para apagar el motor.

1. Afloje el mando y suéltelo para que regrese a la posición "STOP" (parada). El motor se apagará.



2. Sitúe la llave de combustible en la posición OFF.



MANTENIMIENTO

IMPORTANCIA DEL MANTENIMIENTO

Un mantenimiento adecuado es fundamental para conseguir un funcionamiento seguro, rentable y sin problemas. También ayudará a reducir la contaminación del aire.

▲ ADVERTENCIA

Si el mantenimiento de la bomba es incorrecto o no corrige un problema antes de ponerla en marcha, puede producirse una avería que puede causarle lesiones graves o la muerte.

Siga siempre las recomendaciones y los programas de mantenimiento e inspección del presente manual del propietario.

Para que pueda realizar correctamente el mantenimiento de la bomba, en las páginas siguientes encontrará un programa de mantenimiento, procedimientos de inspección rutinarios y procedimientos de mantenimiento sencillos con herramientas básicas. Las tareas de mantenimiento más complejas o que requieran herramientas especiales deben encomendarse a profesionales y suelen completarse en distribuidores Husqvarna.

El programa de mantenimiento se aplica a unas condiciones de funcionamiento normales. Si la bomba se usa en condiciones extremas, como con una carga elevada constante o con temperaturas ambiente altas, o si se usa en entornos particularmente húmedos o polvorientos, acuda a su taller de servicio para recibir recomendaciones específicas con arreglo a sus necesidades y uso.

Recuerde que el taller de servicio conoce perfectamente la bomba y cuenta con todo lo necesario para efectuar los trabajos de mantenimiento y reparación.

MANTENIMIENTO

SEGURIDAD EN EL MANTENIMIENTO

El mantenimiento diario y periódico es muy importante para que el motor permanezca en óptimas condiciones de funcionamiento. A continuación se incluye un resumen con los elementos de mantenimiento clasificados por intervalos. Los intervalos de mantenimiento periódico varían según el uso del motor, la carga, el combustible diésel y el aceite del motor que se usa, por lo que resulta complejo establecer una lista definitiva. La información siguiente debe considerarse simplemente un conjunto de pautas generales.

CALENDARIO DE MANTENIMIENTO

o: Comprobar

★: Sustituir

Sistema	Elemento de comprobación	Intervalo de mantenimiento periódico			
		Diario	Cada 50 horas	Cada 200 horas	Cada 400 horas
Toma de aire	Limpie o cambie el elemento del filtro de aire (si el entorno es muy polvoriento, es posible que sea necesario aumentar la frecuencia).			o	★
Aceite del motor	Compruebe el nivel de aceite del motor y agregue aceite de motor según sea necesario.	o			
	Vacíe el aceite del motor y vuelva a llenar.			★ 2. ^a vez	
	Limpie el filtro de aceite del motor; cámbielo si está dañado.		★ 1. ^a vez		★ 2. ^a vez y posteriores
	Compruebe si hay fugas de aceite del motor.	o antes y después del funcionamiento			
Control de régimen del motor	Compruebe si funciona correctamente. Verifique el ajuste.	o 1. ^a vez		o 2. ^a vez y posteriores	
Carburante	Compruebe el nivel del depósito de combustible y añada combustible según sea necesario.	o antes del uso			
	Vacíe y limpie el depósito de combustible.			o	
	Limpie el filtro de entrada de combustible.		o		
	Cambie el filtro de salida.			o	★
	Compruebe si hay fugas de combustible.	o antes y después del funcionamiento			

- (1) Realice el mantenimiento con más frecuencia si la máquina se usa en zonas con mucho polvo.
- (2) A menos que cuente con las herramientas y los conocimientos mecánicos pertinentes, debe encomendar estos elementos a su taller de servicio.

MANTENIMIENTO

REPOSTAJE

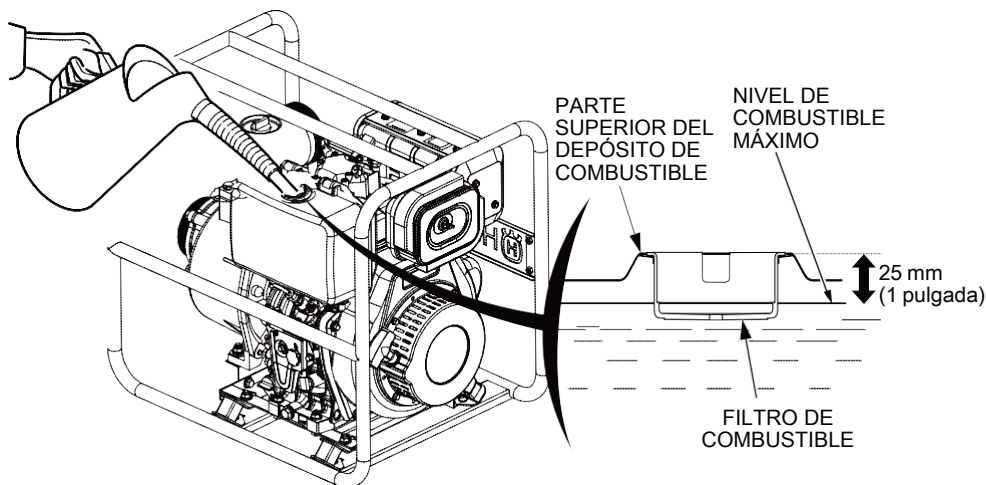
Con el motor parado y sobre una superficie nivelada, quite el tapón del depósito de combustible y compruebe el nivel de combustible. Vuelva a llenar el depósito si el nivel de combustible es bajo.

⚠ ADVERTENCIA

El combustible diésel es muy inflamable y explosivo.

Puede sufrir quemaduras o lesiones graves al manipular el combustible.

- Pare el motor y mantenga el calor, las chispas y las llamas alejados.
- Manipule el combustible únicamente al aire libre.
- Limpie el combustible derramado inmediatamente.



Efectúe el repostaje en una zona con una ventilación adecuada antes de poner en marcha el motor. Si el motor ha estado en marcha, deje que se enfríe. Reposte con cuidado para evitar que se produzcan derrames de combustible. No llene el depósito de combustible por completo. Llene el depósito de combustible hasta alcanzar un nivel a 25 mm (1 pulgada) aproximadamente por debajo de la parte superior del depósito de combustible para facilitar la expansión del combustible. En función de las condiciones de funcionamiento, puede que sea necesario disminuir el nivel de combustible.

Después de repostar, apriete firmemente el tapón del depósito de combustible.

No reposte combustible en un recinto cerrado en el que los vapores de combustible puedan entrar en contacto con llamas o chispas. Mantenga la gasolina lejos de los pilotos de los aparatos, barbacoas, aparatos eléctricos, herramientas eléctricas, etc.

Además del riesgo de incendio que suponen los derrames de combustible, también provocan daños medioambientales. Limpie el combustible derramado inmediatamente.

AVISO

El combustible puede dañar la pintura y el plástico. Tenga cuidado para no derramar combustible al llenar el depósito. La garantía no cubre los daños causados por el combustible derramado.

RECOMENDACIONES SOBRE EL COMBUSTIBLE

Este motor está homologado para utilizar un combustible diésel con un índice de cetano igual o superior a 45.

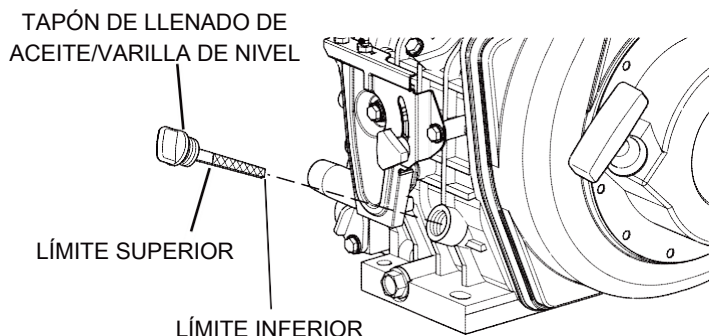
Especificaciones del combustible diésel	Ubicación
N.º 2-D, n.º 1-D, ASTM D975-94	EE. UU.
EN590:96	Unión Europea
ISO 8217 DMX	Internacional
BS 2869-A1 o A2	Reino Unido
JIS K2204 grado n.º 2	Japón
KSM-2610	Corea
GB252	China

MANTENIMIENTO

REVISIÓN DEL NIVEL DE ACEITE DEL MOTOR

Compruebe el nivel de aceite del motor con el motor parado y en una posición nivelada.

1. Retire el tapón de llenado de aceite/varilla de nivel de su ubicación y límpiela.
2. Inserte completamente el tapón de llenado de aceite/varilla de nivel, pero no apriete.
3. Retire el tapón/varilla de nivel. El nivel de aceite debe encontrarse entre las marcas inferior y superior del tapón de llenado/varilla de nivel.
4. Apriete con firmeza el tapón de llenado de aceite/varilla de nivel.



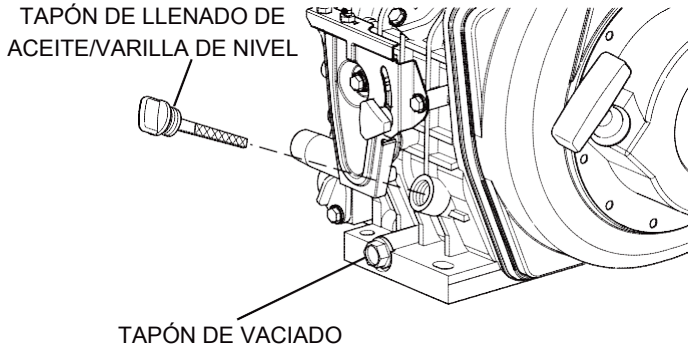
AVISO

Si el motor funciona con un nivel de aceite bajo, puede sufrir daños.

CAMBIO DEL ACEITE DEL MOTOR

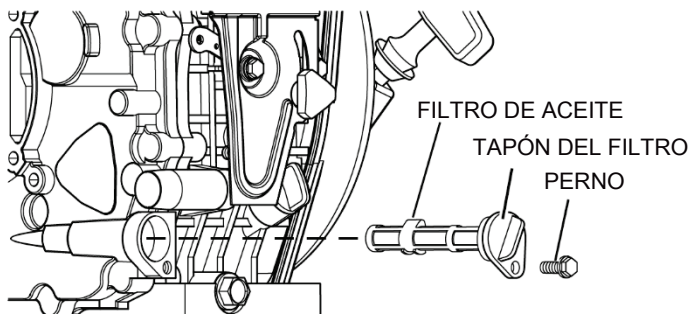
El aceite del motor de un motor nuevo se contamina debido al rodaje inicial de los componentes internos. Es muy importante el cambio de aceite y la limpieza del filtro tras las primeras 50 horas de funcionamiento.

Extraiga el aceite usado con el motor caliente. Si el aceite está caliente, sale con más facilidad y más rapidez.



1. Coloque un recipiente debajo del motor para recoger el aceite residual.
2. Quite el tapón de vaciado situado en la parte inferior del bloque motor. Deje que salga el aceite.
3. Una vez que se haya vaciado todo el aceite del motor, instale el tapón de vaciado y apriételo.
4. Deseche el aceite usado adecuadamente.

LIMPIEZA/INSPECCIÓN DEL FILTRO DE ACEITE DEL MOTOR



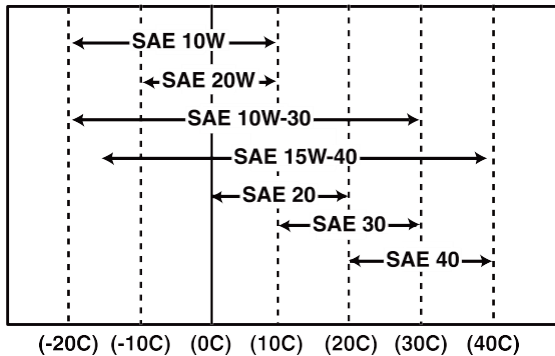
MANTENIMIENTO

Limpie/revise el filtro de aceite del motor como se indica a continuación:

1. Retire el perno de retención del filtro de aceite.
2. Quite el tapón del filtro de aceite y extraiga el filtro.
3. Limpie el filtro de aceite o cámbielo si está dañado.
4. Instale el filtro de aceite.
5. Asegúrese de que el tapón del filtro de aceite esté bien colocado.
6. Instale y apriete el perno de retención del filtro de aceite.

RECOMENDACIONES SOBRE EL ACEITE DEL MOTOR

Seleccione la viscosidad adecuada para el aceite del motor en función de la temperatura ambiente y utilice los grados de viscosidad SAE.



Se recomienda un aceite SAE 10W-30 para uso general. En el gráfico se indican otras viscosidades que se pueden usar si la temperatura media de su zona oscila dentro del intervalo recomendado.

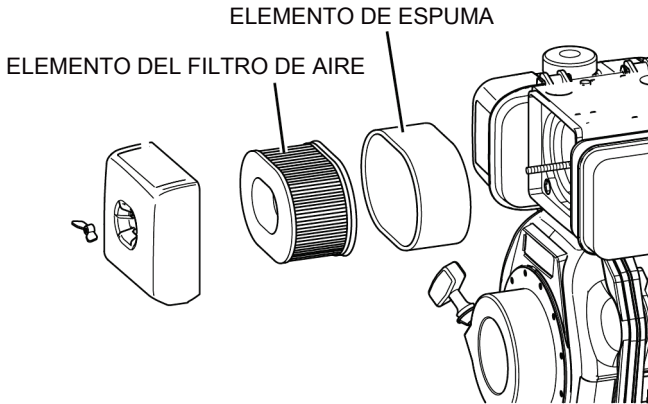
MANTENIMIENTO

LIMPIEZA DEL FILTRO DE AIRE

El rendimiento del motor se verá afectado negativamente si el elemento del filtro de aire está obstruido por el polvo. Limpie periódicamente el elemento del filtro de aire.

Aplique aire a los elementos a una presión de entre 0,29 y 0,49 MPa (3,0 y 5,0 kgf/cm²) para eliminar las partículas. Utilice la mínima presión de aire posible para eliminar el polvo sin dañar el elemento.

Si cualquiera de los elementos resulta dañado, cámbielo.

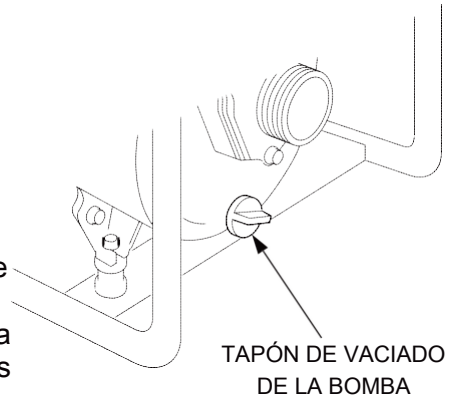


ALMACENAMIENTO

PREPARACIÓN PARA EL ALMACENAMIENTO

Una preparación adecuada para el almacenamiento es esencial para conservar el aspecto de la bomba y evitar problemas.

1. Lave el motor y la bomba.
2. Maniobre la cuerda de arranque del motor diésel.
 - (a) Sitúe la palanca de descompresión hacia abajo y manténgala en esta posición mientras tira lentamente de la cuerda de arranque 2 o 3 veces. No arranque el motor.
 - (b) Tire hacia arriba de la palanca de descompresión. Tire lentamente de la cuerda de arranque y deténgase cuando perciba resistencia. Este procedimiento sirve para cerrar las válvulas de admisión y escape en la posición de compresión para evitar la corrosión.
3. Retire el tapón de vaciado de la bomba y enjuague la bomba con agua dulce limpia. Deje que salga el agua de la cámara de la bomba y luego vuelva a colocar el tapón de vaciado.
4. Cuando la bomba esté limpia y seca, retoque cualquier zona que presente desperfectos en la pintura y aplique una fina película de aceite en las zonas propensas a la oxidación.



TRANSPORTE

Si la bomba ha estado en marcha, deje que el motor se enfríe durante al menos 15 minutos antes de cargar la bomba en el vehículo de transporte. Un motor y un sistema de escape calientes pueden provocar quemaduras y prender algunos materiales.

Mantenga la bomba nivelada durante el transporte para reducir la posibilidad de fugas de combustible. Sitúe la llave de combustible en la posición OFF.

RESOLUCIÓN DE PROBLEMAS

El motor no arranca

SÍNTOMA	CAUSA PROBABLE	ACCIÓN
El sistema de arranque funciona pero el motor no arranca.	No hay combustible diésel.	Reposte el sistema de combustible.
	El combustible diésel es incorrecto.	Cámbielo por un combustible diésel correcto.
	Filtro de combustible obstruido.	Sustituya el filtro de combustible
	Inyección de combustible deficiente.	Consulte al distribuidor local.
	Fugas de aire comprimido en las válvulas de admisión/escape.	
Solenoides de parada del motor (si dispone de ello) defectuosos.		
El motor no gira manualmente.	Componentes internos dañados o agarrotados.	Consulte al distribuidor local.

Gases de escape de color blanco o negro

SÍNTOMA	CAUSA PROBABLE	ACCIÓN
Gases de escape de color negro.	Sobrecarga del motor	Reduzca la carga.
	Elemento del filtro de aire obstruido.	Limpe o cambie el elemento.
	El combustible diésel es incorrecto.	Cámbielo por un combustible diésel correcto.
	Atomización de la inyección de combustible incorrecta.	Consulte al distribuidor local.
	Holgura excesiva de las válvulas de admisión/escape.	
Gases de escape de color blanco.	El combustible diésel es incorrecto.	Cámbielo por un combustible diésel correcto.
	Patrón de atomización de la inyección de combustible incorrecto.	Consulte al distribuidor local.
	Retraso en la sincronización de la inyección de combustible.	
	Combustión de aceite en el motor.	

RESOLUCIÓN DE PROBLEMAS

La bomba no proporciona salida

Posible problema	Acción
La bomba se encuentra en un lugar inapropiado.	Sitúe la bomba en una superficie firme y nivelada.
La bomba no se ha cebado.	Cebe la bomba.
Manguera colapsada, pinchada o con cortes.	Cambie la manguera de aspiración.
Filtro no sumergido completamente en el agua.	Sumerja completamente en el agua el filtro y el extremo de la manguera de aspiración.
Fuga de aire en el conector.	Vuelva a colocar la arandela de sellado si falta o está dañada. Apriete el conector de la manguera y la abrazadera.
Filtro obstruido.	Limpie la suciedad del filtro.
Filtro dañado.	Cambie el filtro.
Longitud excesiva.	Cambie la bomba y las mangueras de posición para reducir la longitud.
Poca potencia del motor.	Consulte la página 67.

La bomba proporciona poca salida

Posible problema	Acción
La bomba se encuentra en un lugar inapropiado.	Sitúe la bomba en una superficie firme y nivelada.
Manguera colapsada, dañada, demasiado larga o con un diámetro demasiado pequeño.	Cambie la manguera de aspiración.
Fuga de aire en el conector.	Vuelva a colocar la arandela de sellado si falta o está dañada. Apriete el conector de la manguera y la abrazadera.
Filtro obstruido.	Limpie la suciedad del filtro.
Filtro dañado.	Cambie el filtro.
Manguera dañada, demasiado larga o con un diámetro demasiado pequeño.	Cambie la manguera de descarga.
Longitud al límite.	Cambie la bomba y las mangueras de posición para reducir la longitud.
Poca potencia del motor.	Consulte la página 41.

INFORMACIÓN TÉCNICA

Especificaciones

W 100D

Modelo	W 100D
Tamaño de entrada/salida	100 mm
Elevación	25 m
Aspiración	5 m
Modelo de motor	186FB
Descarga máx. Capacidad (M/H)	92
Potencia máxima	6,3 kW
Peso	69 kg

INTRODUÇÃO

Obrigado por escolher uma bomba d'água Husqvarna.

Este manual tem o objetivo de ajudar você a alcançar os melhores resultados de sua nova bomba d'água e a operá-la com segurança.

Ao ler este manual, você encontrará informações precedidas por um símbolo **AVISO**. Estas informações destinam-se a ajudá-lo a evitar danos à sua bomba d'água, à outras propriedades ou ao meio ambiente.

INTRODUÇÃO


SOBRE A SEGURANÇA

A sua segurança e a segurança das outras pessoas são muito importantes. Você é responsável por utilizar esta bomba d'água de forma segura.


Para ajudá-lo a utilizar a bomba d'água de forma segura, fornecemos os procedimentos de operação e outras informações nas etiquetas e neste manual. Esta informação alerta-o para potenciais perigos que podem ser prejudiciais a você ou outras pessoas.

Obviamente, não possível avisá-lo de todos os perigos associados ao funcionamento ou manutenção de uma bomba d'água, por isso, é importante que você tenha bom senso.

Você encontrará informações de segurança importantes de diversas maneiras, incluindo:

- Etiquetas de segurança - na bomba.
- Mensagens de segurança - precedidas por um símbolo de alerta de segurança  e uma das três palavras de sinalização, PERIGO, AVISO ou CUIDADO.

Estas palavras de sinalização significam:

SÍMBOLOS DE AVISO E DEFINIÇÕES	
	Este é o símbolo de alerta de segurança. Ele é utilizado para alertá-lo sobre potenciais perigos de lesões corporais. Obedeça a todas as mensagens de segurança que acompanham este símbolo para evitar ferimentos ou morte.
 DANGER	Indica uma situação perigosa que, se não evitada, resultará em morte ou ferimentos graves.
 WARNING	Indica uma situação perigosa que, se não evitada, pode resultar em morte ou ferimentos graves.
 CAUTION	Indica uma situação perigosa que, se não evitada, poderá resultar em ferimentos leves ou moderados.
NOTICE CAUTION	Aborda práticas não relacionadas a ferimentos pessoais.

CONTEÚDO

SEGURANÇA DA BOMBA	73
INFORMAÇÕES DE SEGURANÇA IMPORTANTES	73
ETIQUETA DE SEGURANÇA.....	75
CONTROLES E RECURSOS.....	76
Plaqueta de identificação	77
ANTES DO FUNCIONAMENTO.....	78
PRONTO PARA COMEÇAR.....	78
A SUA BOMBA ESTÁ PRONTA?	79
Verificar o estado geral da bomba	79
Verificar os tubos de sucção e de descarga	80
Verificar o motor.....	80
OPERAÇÃO	81
PRECAUÇÕES PARA UMA OPERAÇÃO SEGURA	81
POSICIONAMENTO DA BOMBA.....	82
INSTALAÇÃO DO TUBO DE SUCÇÃO	83
INSTALAÇÃO DO TUBO DE DESCARGA	84
ASPIRAÇÃO DA BOMBA	85
PARTIDA NO MOTOR	86
DESLIGAR O MOTOR.....	88
MANUTENÇÃO	89
A IMPORTÂNCIA DA MANUTENÇÃO.....	89
SEGURANÇA NA MANUTENÇÃO	90
PROGRAMA DE MANUTENÇÃO.....	91
REABASTECIMENTO.....	92
RECOMENDAÇÕES DE COMBUSTÍVEL	93
VERIFICAÇÃO DO NÍVEL DO ÓLEO DE MOTOR.....	94
TROCA DE ÓLEO DO MOTOR	95
LIMPAR/INSPECIONAR O FILTRO DE ÓLEO DE MOTOR.....	95
RECOMENDAÇÃO DE ÓLEO DO MOTOR.....	96
ARMAZENAMENTO.....	98
PREPARAÇÃO PARA O ARMAZENAMENTO	98

CONTEÚDO

TRANSPORTE	99
RESOLUÇÃO DE PROBLEMAS	100
O MOTOR NÃO DÁ PARTIDA	100
FUMAÇA DE ESCAPE BRANCA OU PRETA	100
BOMBA SEM POTÊNCIA	101
BOMBA COM BAIXA POTÊNCIA	101
INFORMAÇÕES TÉCNICAS	102
ESPECIFICAÇÕES	102

SEGURANÇA DA BOMBA

INFORMAÇÕES DE SEGURANÇA IMPORTANTES

As bombas Husqvarna W 100D são projetadas para bombear apenas água fresca que não se destine ao consumo humano; outras utilizações podem resultar em ferimentos para o operador ou danos à bomba e outras propriedades.

A maioria das lesões ou danos materiais pode ser evitada se seguir todas as instruções deste manual e na bomba. Os riscos mais comuns são explicados abaixo, juntamente com a melhor forma de proteger você e outras pessoas.

Responsabilidade do operador

É responsabilidade do operador fornecer as proteções necessárias para as pessoas e propriedades. Saiba como desligar a bomba rapidamente em caso de emergência. Se você deixar a bomba sozinha por qualquer motivo, sempre desligue o motor. Entenda como usar todos os controles e conexões.

Qualquer pessoa que opere a bomba deve receber as instruções adequadas. Não permita que a bomba seja operada por crianças. Mantenha crianças e animais de estimação afastados da área de operação.

Operação da bomba

Bombeie apenas água limpa que não seja destinada ao consumo humano. Bombear líquidos inflamáveis, tais como gasolina ou óleos combustíveis, pode resultar em incêndio ou explosão, causando ferimentos graves. Bombear água do mar, bebidas, ácidos, soluções químicas ou qualquer outro líquido corrosivo pode danificar a bomba.

Reabasteça com cuidado

O diesel é extremamente inflamável.

Abasteça em ambiente externo, numa área bem ventilada, com o motor parado e a bomba sobre uma superfície plana. Não abasteça o tanque de combustível acima do limite do filtro de combustível. Nunca fume perto de diesel e mantenha as outras chamas e faíscas afastadas. Sempre armazene o diesel em um recipiente aprovado. Limpe qualquer combustível derramado antes de dar partida no motor.

SEGURANÇA DA BOMBA

Escape quente

O silenciador fica muito quente durante o funcionamento e permanece quente durante algum tempo após desligar o motor. Tenha cuidado para não tocar no silenciador enquanto ainda estiver quente. Deixe o motor esfriar antes de transportar a bomba ou armazená-la dentro de ambientes fechados.

Para evitar o perigo de incêndio, mantenha a bomba a pelo menos 1 metro (3 pés) de distância de paredes e outros equipamentos durante o funcionamento. Não coloque objetos inflamáveis perto do motor.

Perigo do monóxido de carbono

O escape da sua bomba d'água contém monóxido de carbono, um gás venenoso invisível e sem cheiro.

Respirar monóxido de carbono pode CAUSAR MORTE EM POUCOS MINUTOS.

Para a sua segurança:

- Não ligue ou coloque o motor em áreas fechadas ou parcialmente fechadas, por exemplo, uma garagem.
- Nunca opere a bomba d'água em áreas fechadas ou parcialmente fechadas, onde pessoas ou animais de estimação possam estar presentes.
- Nunca opere a bomba d'água perto de portas abertas, janelas ou aberturas de ar.
- Se suspeitar que inalou monóxido de carbono, respire ar fresco e procure atendimento médico imediatamente.

Os primeiros sintomas de exposição ao monóxido de carbono incluem cefaleia, fadiga, falta de ar, náuseas e tontura. A exposição contínua ao monóxido de carbono pode provocar perda de coordenação muscular, perda de consciência, e, por fim, a morte.

ETIQUETA DE SEGURANÇA

As etiquetas mostradas aqui contêm informações de segurança importantes.

Leia-as com atenção.



AVISO! Descuido ou uso incorreto pode resultar em ferimentos graves ou fatais para o operador ou outras pessoas.



Leia atentamente o manual do operador e certifique-se de que tenha entendido as instruções antes de usar a máquina.



Utilize um capacete com protetor acústico



A operação deste equipamento pode criar faíscas.



Marca de AVISO sobre Risco de Ferimentos Respiratórios. Opere o motor em ambiente EXTERNO e distante



Mantenha as mãos afastadas da peça de rolamento.



Cuidado com a superfície quente



Marca de AVISO sobre Risco de Incêndio quando estiver manuseando o combustível. Não fume quando estiver manuseando combustível.

ATENÇÃO

Preencha água suficiente na bomba antes de ligá-la. A água com temperatura elevada restante na bomba é perigosa. Desligue o motor após a utilização.

MANUTENÇÃO DO FILTRO DE AR

Limpe o núcleo do filtro de ar uma vez a cada 50 horas (a cada 10 horas em circunstâncias excepcionalmente empoeiradas). Limpe o filtro de espuma e papel.

AVISO

Este motor de combustão interna produz gases de escape que contêm monóxido de carbono, um gás venenoso. Nunca utilize o motor em áreas confinadas ou fechadas. Trabalhe em um local bem ventilado.

OBSERVAÇÕES DE FUNCIONAMENTO

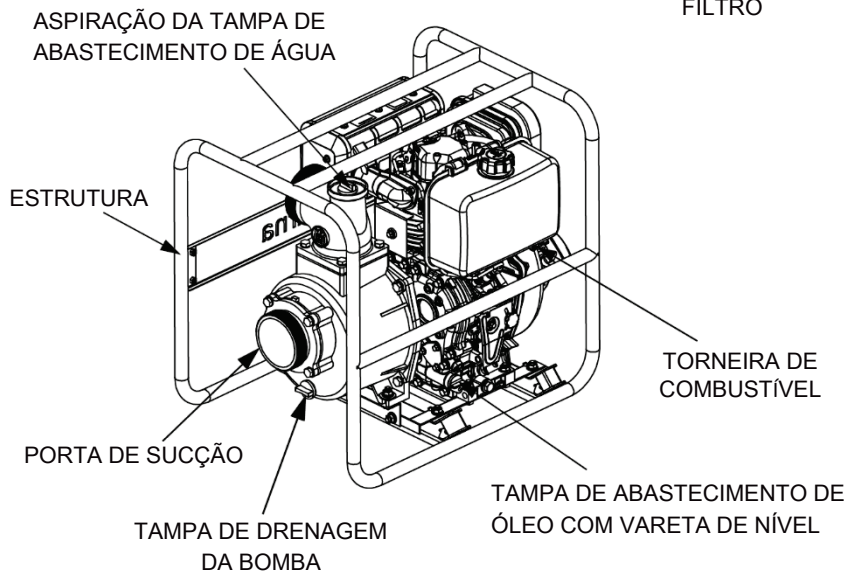
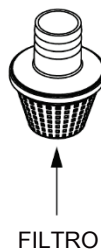
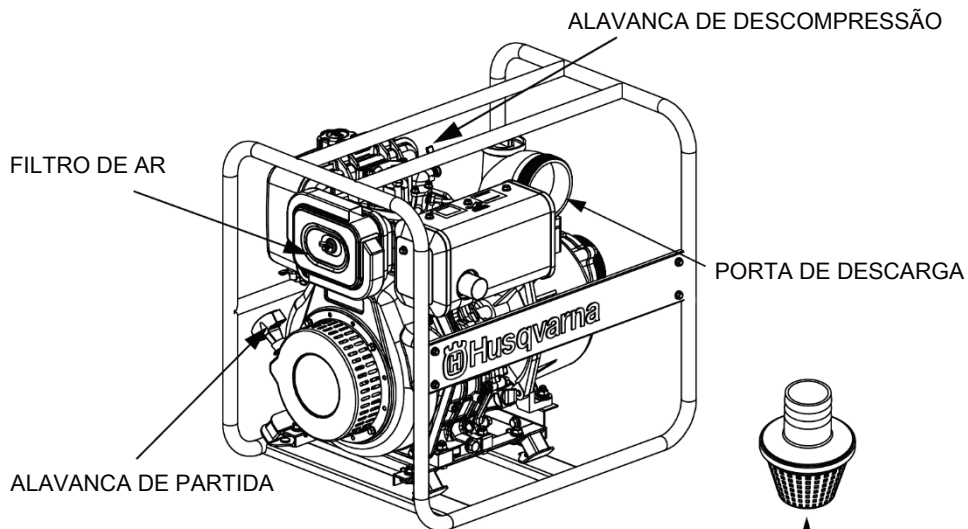
- Antes da operação, leia o manual do usuário com atenção
- Este motor é fornecido sem óleo no cárter. ANTES DE USAR, abasteça o cárter com o óleo de motor adequado. Consulte o manual do proprietário para ver a especificação de óleo e instruções de abastecimento.
- Verifique se há vazamento de combustível. NÃO dê a partida no motor se houver combustível fora do tanque de combustível.

ATENÇÃO

SE O NÍVEL DO ÓLEO ESTIVER BAIXO, ABASTEÇA COM ÓLEO ATÉ O NÍVEL SUPERIOR.

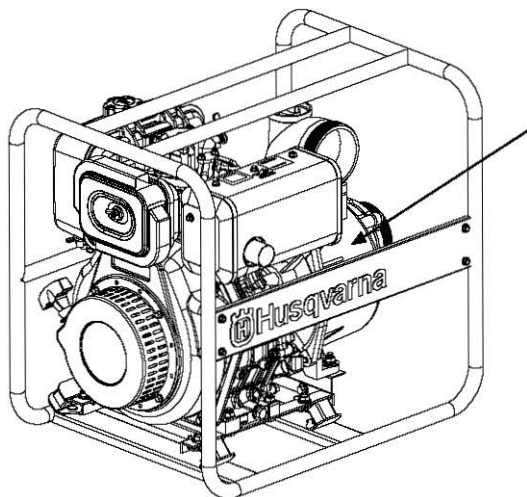
CONTROLES E RECURSOS

W 100D



CONTROLES E RECURSOS

PLAQUETA DE IDENTIFICAÇÃO



Husqvarna

Ano do produto 0000

Nº de série	000000000
Artigo n.º	XXX XX XX-XX
Modelo	W 100D
Tamanho da entrada/saída	100 mm
Levantamento	25 m
Sucção	5 m
Modelo do motor	186FB
Descarga máxima	
Capacidade (M /H)	92
Potência máxima	6,3kW
Peso	69 Kg

HUSQVARNA AB
SE- 561 82 HUSKVARNA
SUECIA

ANTES DO FUNCIONAMENTO

PRONTO PARA COMEÇAR

Você é responsável pela sua segurança. Um pouco de tempo gasto na preparação reduzirá significativamente o risco de lesões.

Conhecimento

Leia e compreenda este manual. Saiba as funções dos controles e como operá-los.

Familiarize-se com a bomba e o seu funcionamento antes de começar a bombear. Saiba o que fazer em caso de emergência.

Saiba o que você está bombeando. Esta bomba foi projetada para bombear apenas água limpa não destinada ao consumo humano.

A SUA BOMBA ESTÁ PRONTA?

Para a sua segurança e para maximizar a vida útil do seu equipamento, é muito importante verificar o seu estado um pouco antes de operar a bomba. Solucione qualquer problema que você encontrar antes de operar a bomba.

▲ AVISO

A manutenção incorreta da bomba ou a falha ao corrigir um problema antes da operação pode causar um mau funcionamento, podendo causar ferimentos graves.

Sempre realize uma inspeção antes de cada operação e corrija qualquer problema.

Para evitar um possível incêndio, mantenha a bomba a pelo menos 1 metro (3 pés) de distância de paredes e outros equipamentos durante o funcionamento. Não coloque objetos inflamáveis perto do motor.

Antes de iniciar as verificações de pré-operação, veja se a bomba está em uma superfície nivelada e se a ignição está na posição OFF.

Verificar o estado geral da Bomba

- Antes de cada uso, olhe ao redor e embaixo do motor para detectar sinais de vazamento de óleo ou diesel.
- Remova qualquer excesso de sujeira ou detritos, sobretudo ao redor do silenciador do motor e da alavanca de partida.
- Verifique se há sinais de danos.
- Verifique se todas as porcas, parafusos, conectores de mangueiras e braçadeiras estão apertados.

ANTES DO FUNCIONAMENTO

Verificar os tubos de sucção e de descarga

- Verifique o estado geral dos tubos. Os tubos devem estar em condições de uso antes de você conectá-los à bomba. Lembre-se de que o tubo de sucção deve ter construção reforçada para evitar a quebra do tubo.
- Verifique se a arruela de vedação no conector do tubo de sucção está em boas condições.
- Verifique se os conectores e as braçadeiras do tubo estão instalados com segurança.
- Verifique se o filtro está em boas condições e instalado no tubo de sucção.

Verificar o motor

- Antes de cada uso, olhe ao redor e embaixo do motor para detectar sinais de vazamento de óleo ou diesel.
- Verifique o nível de óleo. Deixar o motor funcionar com um baixo nível de óleo pode danificar o motor.
- Verifique o filtro de ar. Um filtro de ar sujo irá limitar o fluxo de ar para o carburador, reduzindo o desempenho do motor e da bomba.
- Verifique o nível de combustível. Dar a partida com um tanque cheio ajudará a eliminar ou reduzir as interrupções de funcionamento para o reabastecimento.

OPERAÇÃO

PRECAUÇÕES PARA UMA OPERAÇÃO SEGURA

Para aproveitar com segurança todo o potencial desta bomba, você precisa compreender totalmente o seu funcionamento e ter a devida prática com seus controles.

Antes de utilizar a bomba pela primeira vez, consulte INFORMAÇÕES DE SEGURANÇA IMPORTANTES na página 5 e o capítulo ANTES DO FUNCIONAMENTO.

Para a sua segurança, evite ligar ou operar o motor em áreas fechadas, como uma garagem. O escape do seu motor contém monóxido de carbono, um gás venenoso que pode acumular-se rapidamente em uma área fechada e causar doença ou morte.

AVISO

O escape contém monóxido de carbono, um gás venenoso que pode acumular-se a níveis perigosos em áreas fechadas. Respirar monóxido de carbono pode causar perda de consciência ou morte.

Nunca opere o motor em áreas fechadas ou parcialmente fechadas, onde pessoas possam estar presentes.

Bombeie apenas água limpa que não seja destinada ao consumo humano. Bombear líquidos inflamáveis, tais como diesel ou óleos de combustível, pode resultar em incêndio ou explosão, causando ferimentos graves. Bombear água do mar, bebidas, ácidos, soluções químicas ou qualquer outro líquido corrosivo pode danificar a bomba.

OPERAÇÃO

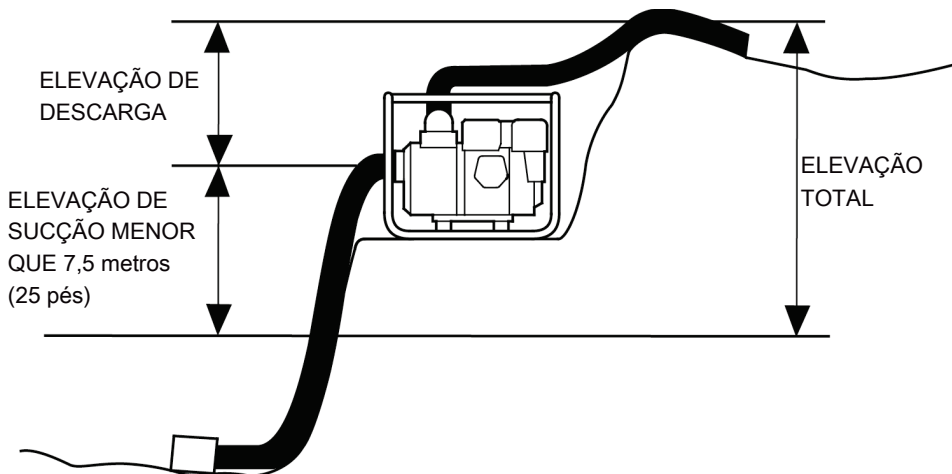
POSICIONAMENTO DA BOMBA

Para obter o melhor desempenho da bomba, coloque a bomba em uma superfície firme, plana e perto do nível da água, e não use tubos mais longos do que o necessário. Isso permitirá que a bomba produza uma melhor saída com o menor tempo de aspiração automática.

À medida que a elevação (altura de bombeamento) aumenta, a saída da bomba diminui. O comprimento, tipo e tamanho dos tubos de sucção e de descarga também pode afetar significativamente a saída da bomba.

A capacidade de elevação de descarga é sempre maior do que a capacidade de elevação de sucção, por isso é importante que a elevação de sucção seja a parte mais curta da elevação total. A elevação de sucção máxima disponível irá variar de acordo com as condições de operação. No entanto, a elevação de sucção nunca pode ser maior que 7,5 metros e deve sempre ser mantida a mais baixa possível.

Minimizar a elevação de sucção (colocando a bomba perto do nível da água) também é muito importante para reduzir o tempo de aspiração automática. O tempo da aspiração automática é o tempo que leva para a bomba reduzir a distância da elevação de sucção durante a operação inicial.



INSTALAÇÃO DO TUBO DE SUCÇÃO

Use um tubo e um conector de tubo disponíveis no mercado com a braçadeira do tubo fornecida com a bomba (se necessário). A maior parte dos tubos é fornecida juntamente com os conectores já instalados. O tubo de sucção deve ser reforçado com uma parede não colapsável ou uma construção de fio trançado, e não pode conter perfurações.

Não use um tubo menor que o tamanho da porta de sucção da bomba. Tamanho mínimo do tubo: $W 100D = 100 \text{ mm}$

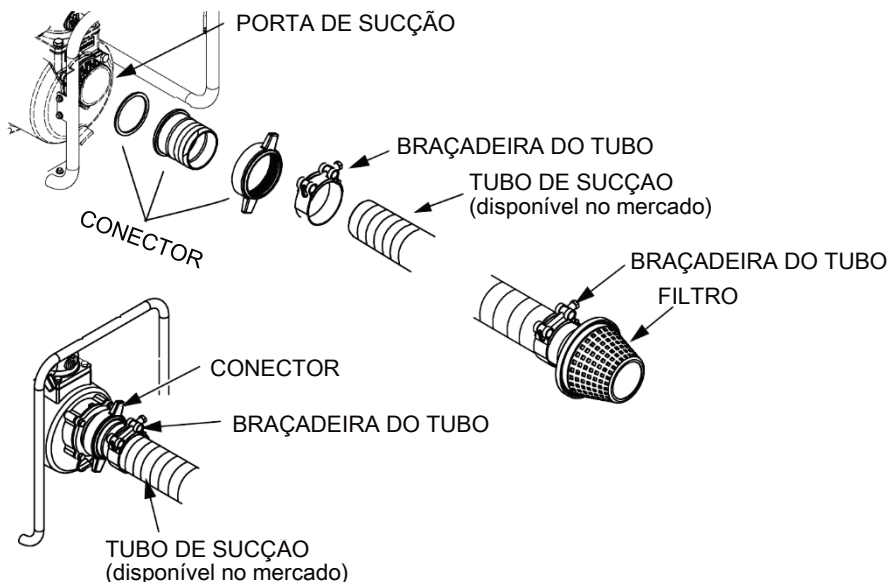
O tubo de sucção não deve ser mais longo do que o necessário. O desempenho da bomba é melhor quando ela se encontra próxima ao nível da água e os tubos são curtos.

Utilize uma braçadeira de tubo para prender firmemente o conector do tubo ao tubo de sucção para evitar um vazamento de ar e uma perda de sucção. Verifique se a arruela de vedação do conector do tubo está em boas condições.

Instale o filtro (fornecido com a bomba) com furos de tamanhos equivalentes na outra extremidade do tubo de sucção e prenda-o com uma braçadeira de tubo. O filtro ajudará a evitar danos ou obstruções na bomba por detritos.

Nunca opere a bomba sem o filtro instalado.

Aperte bem o conector do tubo na porta de sucção da bomba.



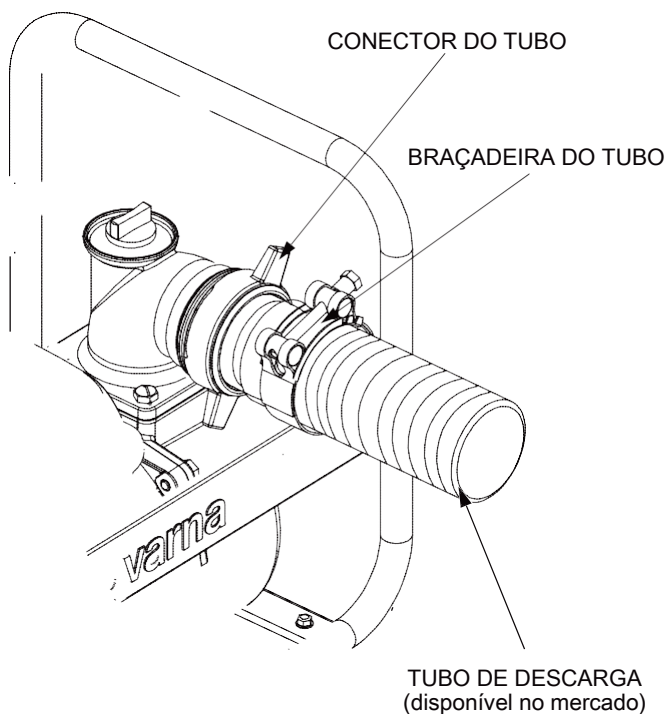
OPERAÇÃO

INSTALAÇÃO DO TUBO DE DESCARGA

Use um tubo e um conector de tubo disponíveis no mercado com a braçadeira do tubo fornecida com a bomba (se necessário).

É recomendável utilizar um tubo curto e de diâmetro grande, porque isso reduzirá a fricção do fluido e melhorará a saída da bomba. Um tubo longo ou de diâmetro pequeno aumentará a fricção do fluido e reduzirá a saída da bomba.

Aperte bem a braçadeira do tubo para impedir que o tubo de descarga se solte com a pressão.



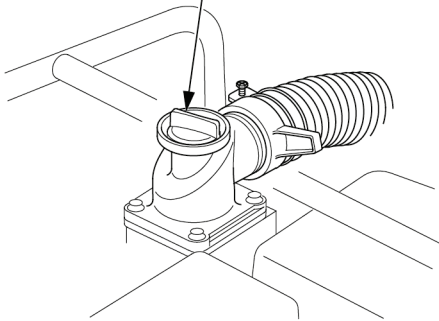
ASPIRAÇÃO DA BOMBA

Antes de ligar o motor, retire a tampa de abastecimento da câmara da bomba. Abasteça a câmara da bomba até a superfície inferior da porta de descarga com água. Instale novamente a tampa de abastecimento e aperte-a bem.

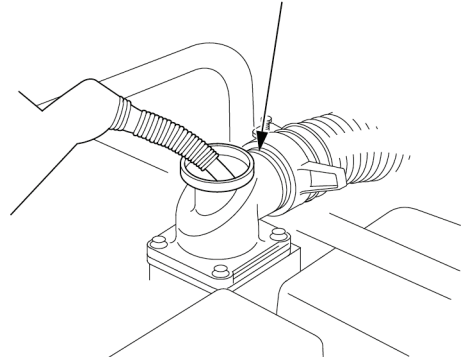
AVISO

O funcionamento da bomba seca irá danificar sua vedação. Se a bomba estiver sendo operada a seco, pare imediatamente o motor e deixe a bomba esfriar antes da aspiração.

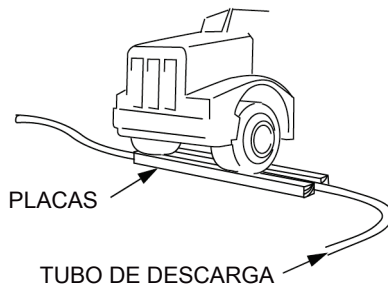
ASPIRAÇÃO DA TAMPA DE ABASTECIMENTO DE ÁGUA



PORTA DE DESCARGA



Se o tubo de descarga precisar atravessar uma estrada, isso deverá acontecer de maneira perpendicular ao fluxo do tráfego. Além disso, placas pesadas devem ser colocadas ao lado do tubo para que o peso do motor do veículo não desligue a descarga quando veículos passarem por cima do tubo.

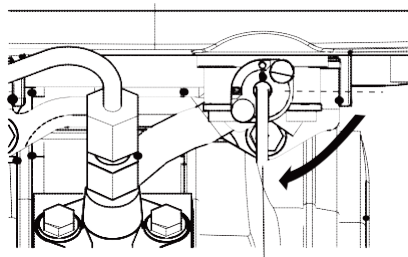


Conduzir sobre um tubo de descarga enquanto a bomba está em funcionamento, ou quando a bomba estiver parada, pode causar falha na caixa da bomba.

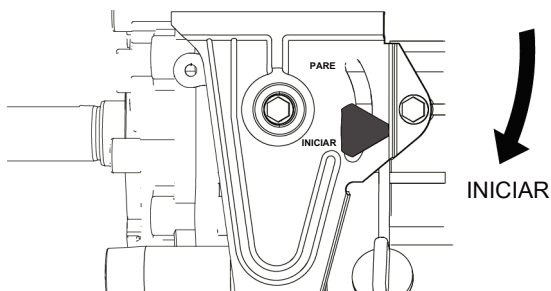
OPERAÇÃO

PARTIDA NO MOTOR

1. Abasteça com combustível e óleo de motor.
2. Aspire a bomba.
3. Abra a torneira de combustível



4. Ajuste a barra do punho de comando do controle na posição "START" e aperte-a.



5. Pressione a alavanca de descompressão e puxe a alavanca de partida.
 - a. Puxe a alavanca de partida até sentir resistência e, depois, coloque a alavanca de volta à posição anterior.
 - b. Pressione a alavanca de descompressão e solte-a. Depois de dar partida no motor a diesel, a alavanca de descompressão voltará à sua posição anterior automaticamente.

c. Ligar: puxe o punho de arranque completamente com um movimento firme e uniforme. Use ambas as mãos se necessário.

d. Se o motor não estiver ligado, comece a ação "a" e repita novamente.

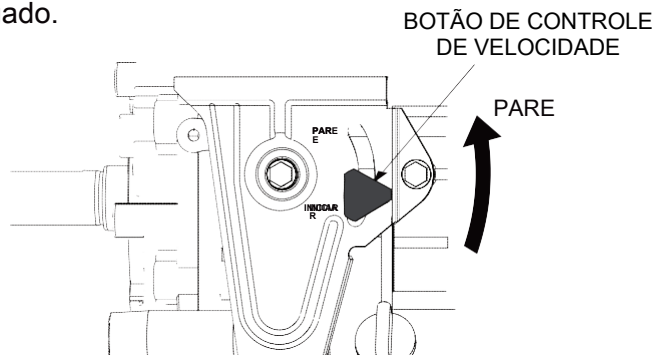
Depois de dar a partida, retorne a alavanca de volta à sua posição, e não deixe que ela retroceda de repente.

OPERAÇÃO

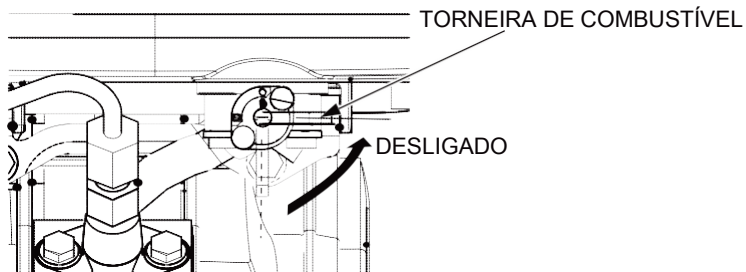
DESLIGAR O MOTOR

Siga estas etapas para desligar o motor,

1. Desaperte o botão e libere-o; ele voltará para a posição "STOP". O motor é desligado.



2. Gire a torneira de combustível para a posição OFF.



MANUTENÇÃO

A IMPORTÂNCIA DA MANUTENÇÃO

Uma boa manutenção é essencial para um funcionamento seguro, econômico e sem problemas. Ela também ajudará a reduzir a poluição atmosférica.

AVISO

A manutenção incorreta da bomba ou a falha ao corrigir um problema antes da operação pode causar um mau funcionamento, podendo causar ferimentos graves ou morte.

Siga sempre as recomendações e os esquemas de manutenção e inspeção neste manual do proprietário.

Para ajudá-lo a manter adequadamente sua bomba, as páginas a seguir incluem um esquema de manutenção, procedimentos de inspeção de rotina e procedimentos de manutenção simples usando ferramentas manuais básicas. Outras tarefas de serviço mais difíceis, ou que requerem ferramentas especiais, são normalmente realizadas por profissionais e revendedores da Husqvarna.

O esquema de manutenção aplica-se a condições normais de funcionamento. Se você operar sua bomba em condições severas, como operação sustentada de alta carga ou alta temperatura ambiente, ou usá-la em condições úmidas ou empoeiradas, consulte seu revendedor para obter recomendações aplicáveis às suas necessidades individuais e ao uso.

Lembre-se de que seu revendedor conhece melhor a sua bomba e está totalmente equipado para mantê-la e repará-la.

MANUTENÇÃO

SEGURANÇA NA MANUTENÇÃO

A manutenção diária e periódica é importante para manter o motor em boas condições de funcionamento. Os seguintes elementos são um resumo dos itens de manutenção por intervalos de manutenção periódica. Os intervalos de manutenção periódica variam dependendo da aplicação do motor, cargas, combustível diesel e óleo do motor usados, e são difíceis de estabelecer definitivamente. O seguinte deve ser considerado apenas como orientação geral.

PROGRAMA DE MANUTENÇÃO

o: Verificar ★: Substituir

Sistema	Verificar item	Intervalo de manutenção periódica			
		Diariamente	A cada 50 horas	A cada 200 horas	A cada 400 horas
Entrada de ar	Limpe ou substitua o elemento do filtro de ar - poderá ser necessário fazer uma manutenção mais frequente em ambientes com poeira			o	★
Óleo do motor	Verifique o nível de óleo do motor e adicione óleo do motor conforme necessário	o			
	Drene e abasteça o óleo do motor		★	★ 2ª vez	
	Limpe o filtro do óleo do motor – Substitua se estiver danificado		★ 1ª vez		★ 2ª vez e depois
	Verifique se há vazamentos de óleo do motor	o antes e após a operação			
Controle de velocidade do motor	Verifique o funcionamento correto Verifique o ajuste	o 1ª vez		o 2ª vez e depois	
Combustível	Verifique o nível do tanque de combustível e adicione combustível conforme necessário	o antes do funcionamento			
	Drene e limpe o tanque de combustível			o	
	Limpe o filtro de entrada de combustível		o		
	Substitua o filtro de saída			o	★
	Verifique se há vazamento de combustível	o antes e após a operação			

- (1) Faça uma manutenção mais frequente quando utilizar o equipamento em áreas empoeiradas.
- (2) A manutenção desses itens deve ser realizada pelo seu revendedor, a menos que você tenha as ferramentas adequadas e tenha o devido conhecimento mecânico.

MANUTENÇÃO

REABASTECIMENTO

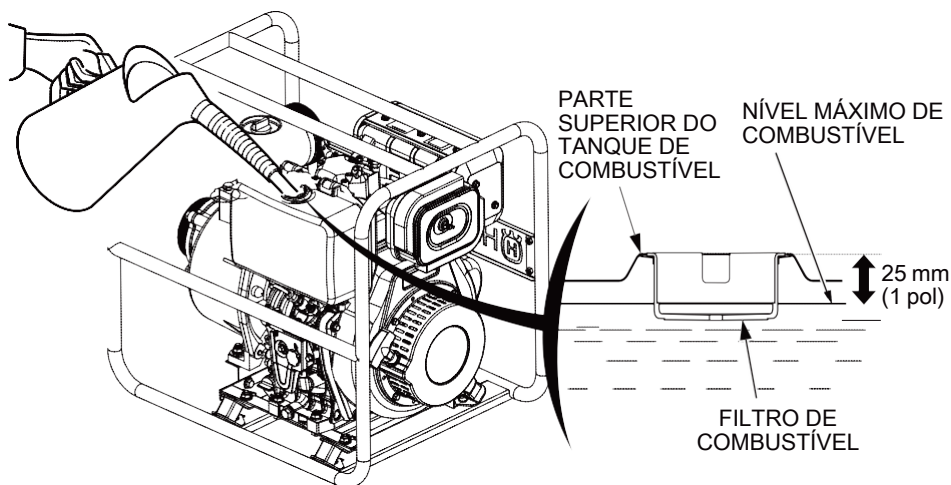
Com o motor parado e sobre uma superfície plana, remova a tampa do tanque de combustível e verifique o nível. Reabasteça o tanque se o nível de combustível estiver baixo.

▲ AVISO

O diesel é altamente inflamável e explosivo.

Você pode queimar-se ou ficar gravemente ferido ao manusear o combustível.

- Desligue o motor e mantenha-o longe de calor, faíscas e chamas.
- Manuseie o combustível apenas em ambientes externos.
- Limpe os vazamentos imediatamente.



Reabasteça em um local bem ventilado antes de ligar o motor. Se o motor estiver em funcionamento, aguarde seu resfriamento.

Reabasteça com cuidado para evitar o derramamento de combustível.

Não encha o tanque de combustível completamente. Encha o tanque até cerca de 25 mm (1 pol) abaixo do topo do tanque para permitir a dilatação do combustível. Dependendo das condições de operação, pode ser necessário baixar o nível de combustível.

Após o reabastecimento, feche bem a tampa do tanque.

Nunca abasteça o motor dentro de um edifício onde os vapores de gasolina podem atingir chamas ou faíscas. Mantenha a gasolina longe de luzes piloto, churrasqueiras, aparelhos elétricos, ferramentas elétricas, etc.

O combustível derramado não causa apenas perigo de incêndio, mas também danos ambientais. Limpe os vazamentos imediatamente.

AVISO

O combustível pode danificar a tinta e o plástico. Cuidado para não derramar combustível quando estiver abastecendo o tanque de combustível. Danos causados por combustível derramado não estão cobertos pela garantia.

RECOMENDAÇÕES DE COMBUSTÍVEL

Este motor está certificado para operar com diesel com octanagem igual ou superior a 45.

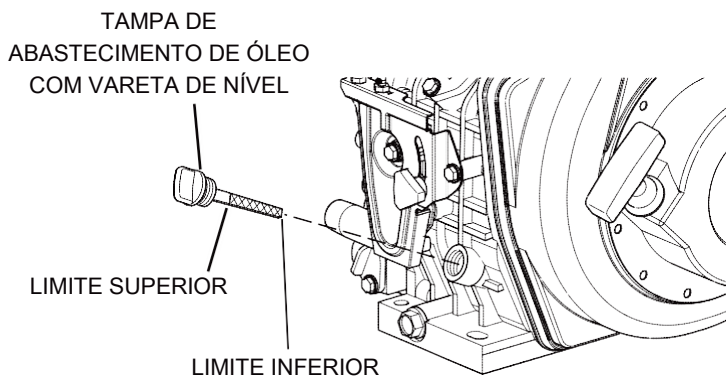
Especificação de combustível diesel	Localização
No. 2-D, No. 1-D, ASTM D975-94	EUA
EN590:96	União Europeia
ISO 8217 DMX	Internacional
BS 2869-A1 ou A2	Reino Unido
JIS K2204 Classe nº2	Japão
KSM-2610	Coreia
GB252	China

MANUTENÇÃO

VERIFICAÇÃO DO NÍVEL DO ÓLEO DE MOTOR

Verifique o nível de óleo com o motor parado e em posição nivelada.

1. Retire a tampa de abastecimento de óleo com a vareta de nível para limpá-lo.
2. Insira completamente a tampa de abastecimento de óleo com a vareta de nível, mas sem apertar.
3. Retire a tampa de abastecimento de óleo com a vareta de nível. O óleo deve estar entre a linha superior e a linha inferior da tampa de abastecimento com vareta de nível.
4. Rosqueie a tampa de abastecimento com a vareta de nível.



AVISO

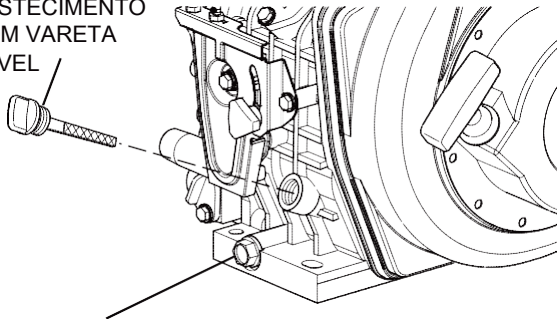
Operar o motor com um baixo nível de óleo pode causar danos ao motor.

TROCA DE ÓLEO DO MOTOR

O óleo do motor em um motor novo torna-se contaminado a partir da ruptura inicial nas partes internas. As primeiras 50 horas de manutenção e limpeza do filtro são muito importantes.

Drene o óleo usado enquanto o motor estiver quente. O óleo quente drena a água completamente e de forma rápida.

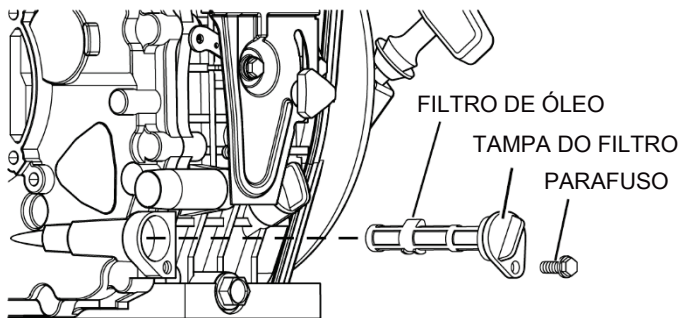
TAMPA DE ABASTECIMENTO
DE ÓLEO COM VARETA
DE NÍVEL



BUJÃO DE DRENAGEM

1. Posicione um recipiente sob o motor para coletar o óleo usado.
2. Retire o bocal de drenagem localizado na parte inferior do bloco de cilindros. Deixe o óleo drenar.
3. Depois de todo o óleo ter sido drenado do motor, instale o bocal de drenagem e aperte-o.
4. Elimine corretamente o óleo usado.

LIMPAR/INSPECIONAR O FILTRO DE ÓLEO DE MOTOR



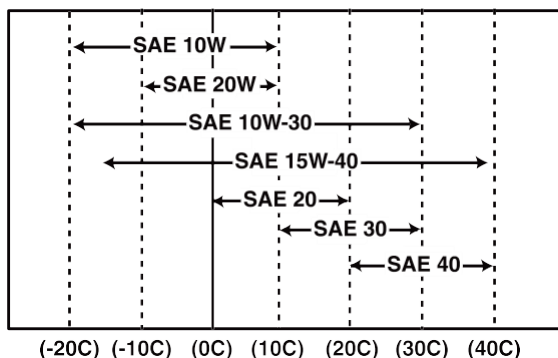
MANUTENÇÃO

Limpe/inspecione o filtro de óleo do motor da seguinte maneira:

1. Remova o parafuso de retenção do filtro de óleo.
2. Puxe a tampa do filtro de óleo e remova o filtro de óleo.
3. Limpe o filtro do óleo de motor – Substitua se estiver danificado.
4. Instale o filtro de óleo.
5. Certifique-se de que o tampa do filtro de óleo esteja totalmente encaixado.
6. Instale e aperte o parafuso de retenção do filtro de óleo.

RECOMENDAÇÃO DE ÓLEO DO MOTOR

Selecione a viscosidade apropriada do óleo do motor com base na temperatura ambiente e use o SAE Service Grade Viscosity.



Para o uso geral, é recomendado o óleo de especificação SAE 10W-30. Outras viscosidades mostradas no gráfico podem ser usadas quando a temperatura média da área estiver dentro da faixa recomendada.

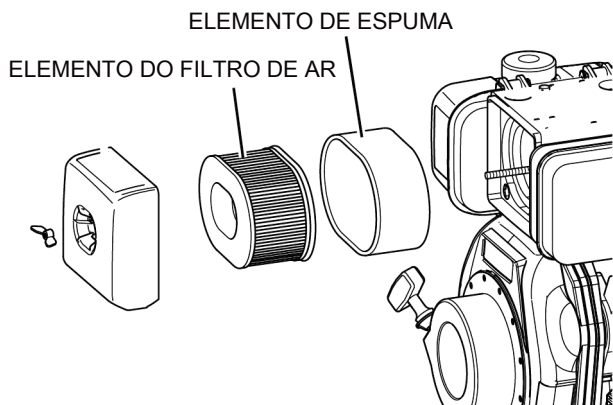
MANUTENÇÃO

LIMPEZA DO FILTRO DE AR

O desempenho do motor é afetado de forma adversa quando o filtro de ar está obstruído com pó. Limpe o filtro de ar periodicamente.

Assopre ar comprimido através dos elementos usando pressão de 0,29 a 0,49 Mpa (3,0 5,0 kgf/cm²) para remover as partículas. Use a pressão de ar mais baixa possível para remover a poeira sem danificar o elemento.

Se qualquer elemento estiver danificado, substitua-o.

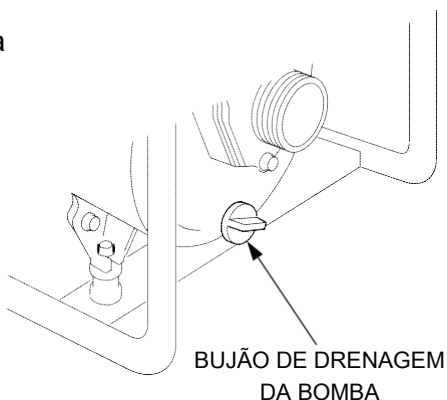


ARMAZENAMENTO

PREPARAÇÃO PARA O ARMAZENAMENTO

A preparação adequada para o armazenamento é essencial para manter a sua bomba sem problemas e com boa aparência.

1. Lave o motor e a bomba.
2. Arranque do motor a diesel
 - (a) Coloque a alavanca de descompressão para baixo e segure-a enquanto puxa lentamente a alavanca de partida 2 ou 3 vezes. Não ligue o motor.
 - (b) Puxe a alavanca de descompressão para cima. Puxe a alavanca de partida lentamente e pare quando sentir resistência. Este procedimento fecha as válvulas de admissão e as válvulas de escape na posição de compressão e evita a ferrugem.
3. Remova o bujão de drenagem da bomba e limpe a bomba com água limpa. Deixe a água escorrer da câmara da bomba e, em seguida, reinstale o bujão de drenagem.
4. Depois que a bomba estiver limpa e seca, faça o retoque de qualquer tinta danificada e cubra as áreas que podem enferrujar com uma película superficial de óleo.



TRANSPORTE

Se a bomba estiver funcionando, deixe o motor esfriar pelo menos 15 minutos antes de carregar a bomba no veículo de transporte. Um motor e um sistema de escape quentes podem queimá-lo e podem inflamar alguns materiais.

Mantenha o nível da bomba durante o transporte para reduzir a possibilidade de vazamento de combustível. Mova a torneira de combustível para a posição OFF.

RESOLUÇÃO DE PROBLEMAS

O motor não dá partida

SINTOMA	CAUSA PROVÁVEL	AÇÃO
O motor de arranque funciona, mas o motor não dá partida	Sem combustível diesel	Reabasteça o sistema de combustível
	Combustível diesel impróprio	Substitua com o combustível a diesel recomendado
	Filtro de combustível entupido	Troque o filtro de combustível
	Má injeção de combustível	Consulte o seu revendedor local
	Vazamento de ar comprimido das válvulas de entrada/escape	
Motor defeituoso interrompe a solenoide (se equipado)		
O motor não pode ser girado manualmente	Peças internas emperradas ou danificadas	Consulte o seu revendedor local

Fumaça de escape branca ou preta

SINTOMA	CAUSA PROVÁVEL	AÇÃO
Fumaça de escape preta	Motor sobrecarregado	Reduza a carga
	Elemento do filtro de ar entupido	Limpe ou substitua o elemento
	Combustível diesel impróprio	Substitua com o combustível a diesel recomendado
	Pulverização defeituosa na injeção de combustível	Consulte o seu revendedor local
	Folga excessiva da válvula de entrada/escape	
Fumaça de escape branca	Combustível diesel impróprio	Substitua com o combustível a diesel recomendado
	Padrão de pulverização defeituosa na injeção de combustível	Consulte o seu revendedor local
	Atraso no tempo de injeção de combustível	
	Óleo do motor queimando	

RESOLUÇÃO DE PROBLEMAS

Bomba sem potência

Possível problema	Ação
A bomba está posicionada em locais impróprios.	Coloque a bomba numa superfície firme e nivelada.
Bomba não preparada para aspiração.	Faça a aspiração da bomba.
Tubo quebrado, cortado ou perfurado.	Substitua o tubo de sucção.
O filtro não está completamente submerso na água.	Mergulhe o filtro e a extremidade do tubo de sucção completamente debaixo d'água.
Vazamento de ar no conector.	Substitua a arruela de vedação se estiver danificada. Aperte o conector do tubo e a braçadeira.
Filtro obstruído.	Limpe os detritos do filtro.
Filtro danificado.	Substitua o filtro.
Cabeça excessiva.	Realoque a bomba e/ou tubos para reduzir a cabeça.
Falta de potência no motor.	Consulte a página 41.

Bomba com baixa potência

Possível problema	Ação
A bomba está posicionada em locais impróprios.	Coloque a bomba numa superfície firme e nivelada.
Tubo quebrado, danificado, muito longo ou com diâmetro muito pequeno.	Substitua o tubo de sucção.
Vazamento de ar no conector.	Substitua a arruela de vedação se estiver danificada. Aperte o conector do tubo e a braçadeira.
Filtro obstruído.	Limpe os detritos do filtro.
Filtro danificado.	Substitua o filtro.
Tubo danificado, muito longo ou com diâmetro muito pequeno.	Substitua o tubo de descarga.
Cabeça marginal.	Realoque a bomba e/ou tubos para reduzir a cabeça.
Falta de potência no motor.	Consulte a página 41.

INFORMAÇÕES TÉCNICAS

Especificações

W 100D

Modelo	W 100D
Tamanho da entrada/saída	100 mm
Levantamento	25 m
Sucção	5 m
Modelo do motor	186FB
Descarga máxima Capacidade (M /H)	92
Potência máxima	6,3kW
Peso	69 Kg

www.husqvarna.com

Original instructions
Instrucciones originales
Instruções originais

1158883-39, rev. 3

2018-09-17