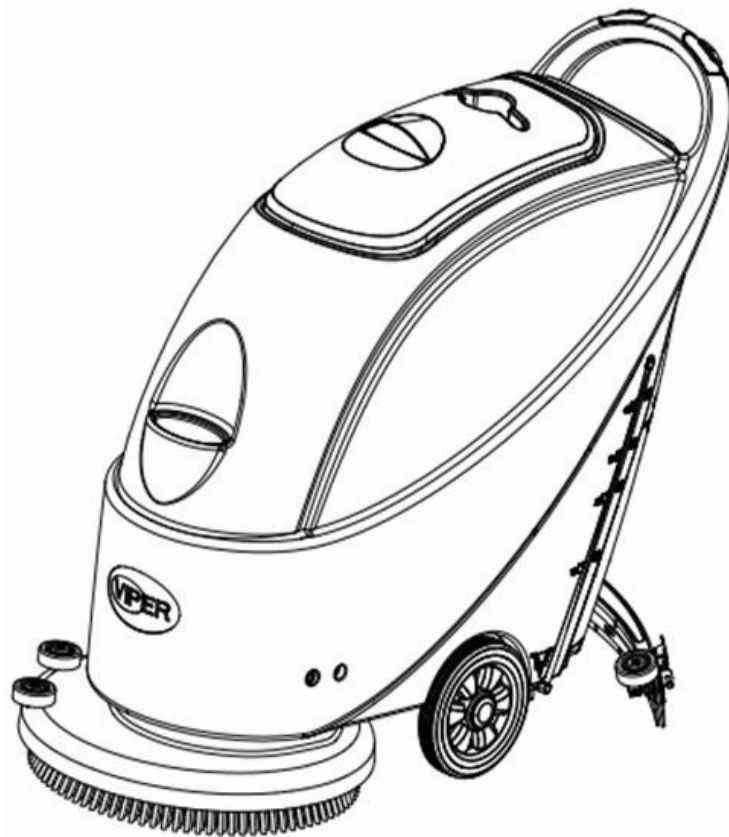




Scrubber User Manual

AS430C & AS510C





EU / UE / EL / EC / EE / ES / EÚ / AB

Declaration of Conformity

Prohlášení o shodě
Konformitátsklärung
Overensstemmelseserklæring
Declaración de conformidad
Vastavusdeklaratsioon
Déclaration de conformité
Vaatimustenmukaisuusvakuutus

Декларация за съответствие
Δήλωση συμμόρφωσης
Megfelelősségi nyilatkozat
Izjava o skladnosti
Dichiarazione di conformità
Atitikties deklaracija
Atbilstības deklarācija
Samsvarserklæring
Conformiteitsverklaring

Declaração de conformidade
Declaracja zgodności
Declaratie de conformitate
Декларация о соответствии
Försäkran om överensstämmelse
Vyhlášení o zhode
Izjava o skladnosti
Uygunluk beyanı

Manufacturer / Výrobce / Hersteller / Fabrikant / Fabricante / Κατασκευαστής / Gyártó / Proizvođač / Fabbrikante / Gamintojas / Ražotājs / Producent / Fabrikant / Fabricante / Producent / Producător / производитель / Tillverkaren / Výrobca / Proizvajalec / Üretici firma:

**Nilfisk A/S, Kornmarksvej 1
DK-2605 Broendby, DENMARK**

Product / Produkt / Producto, Toode, Produit, Tuote/ Продукт / Προϊόν / Termék / Proizvod / Prodotto / Produkta / Produkts / Artikel / Produtos / Produs / Izdelek / Ürün

AS430C, AS510C

Description / Popis / Beschreibung / Beskrivelse / Descripción / Kirjeldus / La description / Kuvaus / Описание / Περιγραφή / Leirás / Opis / Descrizione / Aprašymas / Apraksts / Beschrijving / Descrição / Descriere / Beskrivning / Popis / Açıklama

**FC - Floor Scrubber/Sweeper
220-240V 50/60Hz, IP24**

EN We, Nilfisk hereby declare under our sole responsibility, that the above mentioned product(s) is/are in conformity with the following directives and standards.

BG Ние, Nilfisk с настоящото декларираме на своя лична отговорност, че посочените по-горе продуктът е в съответствие със следните директиви и стандарти.

PT Nós, a Nilfisk declaramos, sob nossa exclusiva responsabilidade, que o produto acima mencionado está em conformidade com as diretrizes e normas a seguir.

CS My, Nilfisk prohlašujeme na svou výlučnou odpovědnost, že výše uvedený výrobek je ve shodě s následujícími směrnici a normami.

EL Εμείς, Nilfisk δηλώνουμε με αποκλειστική μας ευθύνη, ότι το προαναφερόμενο προϊόν συμμορφώνεται με τις ακόλουθες οδηγίες και πρότυπα.

PL My, Nilfisk Niniejszym oświadczamy z pełną odpowiedzialnością, że wyżej wymieniony produkt jest zgodny z następującymi dyrektywami i normami..

DE Wir, Nilfisk erklären in alleiniger Verantwortung, dass das oben genannte Produkt den folgenden Richtlinien und Normen entspricht.

HU Mi, Nilfisk kijelentjük, egyedüli felelősséggel, hogy a fent említett termék megfelel az alábbi irányelveknek és szabványoknak

RO Noi, Nilfisk Prin prezenta declarăm pe propria răspundere, că produsul mai sus menționat este în conformitate cu următoarele standarde și directive.

DA Vi, Nilfisk erklærer hermed under eget ansvar at ovennævnte produkt(er) er i overensstemmelse med følgende direktiver og standarder.

HR Mi, Nilfisk Izjavljujemo pod punom odgovornošću, da gore navedeni proizvod u skladu sa sljedećim direktivama i standardima.

RU Ми, Нилфиск овим изјављујем под пуном одговорношћу, да наведеног производ је у складу са следећим директивама и стандардима.

ES Nosotros, Nilfisk declaramos bajo nuestra única responsabilidad que el producto antes mencionado está en conformidad con las siguientes directivas y normas

IT Noi, Nilfisk dichiara sotto la propria responsabilità, che il prodotto di cui sopra è conforme alle seguenti direttive e norme.

SV Vi Nilfisk förklarar härmed under eget ansvar att ovan nämnda produkt överensstämmer med följande direktiv och normer.

ET Meie, Nilfisk Käesolevaga kinnitame ja kanname ainuiskulist vastutust, et eespool nimetatud toode on kooskõlas järgmistele direktiivide ja

LT Mes, "Nilfisk pareiškiu vienašališkos atsakomybės, kad pirmiau minėtas produkta atitinka šias direktyvas ir standartus

SK My, Nilfisk prehlasujeme na svoju výlučnú zodpovednosť, že vyššie uvedený výrobok je v zhode s nasledujúcimi smernicami a normami.

FR Nilfisk déclare sous notre seule responsabilité que le produit mentionné ci-dessus est conforme aux directives et normes suivantes.

LV Mēs, Nilfisk šo apliecinu ar pilnu atbildību, ka iepriekš minētais produkts atbilst šādām direktīvām un standartiem

SL Mi, Nilfisk izjavljamo s polno odgovornostjo, da je zgoraj omenjeni izdelek v skladu z naslednjimi smernicami in standardi.

FI Me, Nilfisk täten vakuutamme omalla vastuulla, että edellä mainittu tuote on yhdenmukainen seuraavien direktiivien ja standardien mukaisesti

NO Vi, Nilfisk erklærer herved under eget ansvar, at det ovennævnte produktet er i samsvar med følgende direktiver og standarder

TR Nilfisk, burada yer alan tüm sorumluluklarımızı göze, yukarıda belirtilen ürünün aşağıdaki direktifler ve standartlara uygun olduğunu beyan ederiz.

NL We verklaren Nilfisk hierbij op eigen verantwoordelijkheid, dat het bovengenoemde product voldoet aan de volgende richtlijnen en normen

2006/42/EC

EN 60335-1:2012+A11:2014
EN 60335-2-72:2012

2014/30/EU

EN 55014-1:2017
EN 55014-2:2015
EN 61000-3-2:2014
EN 61000-3-3:2013

Authorized signatory: Lars Gjødse, Executive Vice President Global Products & Services

Oct 23, 2018

TABLE OF CONTENTS

ENGLISH	USER MANUAL.....	1-14
DEUTSCH	BETRIEBSANLEITUNG.....	15-29
FRANÇAIS	MANUEL UTILISATEUR.....	30-44
NEDERLANDS	GEBRUIKERS HANDLEIDING.....	45-58
ITALIANO	MANUALE D'USO.....	59-72
ESPAÑOL	ISTRUZIONI PER L'USO.....	73-87
PORTUGUÊS	MANUAL DO UTILIZADOR.....	88-101
ΕΛΛΗΝΙΚΑ	ΕΓΧΕΙΡΙΔΙΟ ΧΡΗΣΤΗ.....	102-116
TÜRKÇE	KULLANIM KILAVUZU.....	117-130
ČESKÝ	UŽIVATELSKÝ MANUÁL.....	131-144
POLSKI	INSTRUKCJA OBSŁUGI.....	145-158
MAGYAR	FELHASZNÁLÓI KÉZIKÖNYV.....	159-172
ROMÂNĂ	MANUALUL UTILIZATORULUI.....	173-186
РУССКИЙ	ИСТРУКЦИЯ ПО ПРИМЕНЕНИЮ.....	187-201
БЪЛГАРСКИ	РЪКОВОДСТВО НА ПОТРЕБИТЕЛЯ.....	202-215
SLOVENŠČINA	NAVODILA ZA UPORABO.....	216-229
DANSK	BRUGERMANUAL.....	230-243
SVENSKA	BRUKSANVISNING.....	244-257
NORSK	BRUKERHÅNDBOK.....	258-271
SUOMI	KÄYTTÄJÄN OPAS.....	272-285
SLOVENSKÝ	POUŽÍVATEĽSKÁ PRÍRUČKA.....	286-299
HRVATSKI	KORISNIČKI PRIRUČNIK.....	300-313

TABLE OF CONTENTS

INTRODUCTION	2
MANUAL CONTENTS	2
PURPOSE.....	2
SPARE PARTS AND MAINTENANCE	2
CHANGES AND IMPROVEMENTS	2
SCOPE OF APPLICATION	2
IDENTIFICATION DATA.....	2
UNPACKING/TRANSPORT.....	2
GENERAL SAFETY GUIDES	3
TECHNICAL DATA.....	4
MACHINE DESCRIPTION	4
MACHINE STRUCTURE	4
CONTROL PANEL	5
GUIDE FOR USE	6
BEFORE MACHINE START-UP	6
INSTALLING AND UNLOADING THE BRUSH / PAD-HOLDER	6
ADJUSTING THE BALANCE OF THE SQUEEGEE.....	6
REGULATING THE VOLUME OF WATER FLOW	7
MACHINE START AND STOP.....	7
MACHINE OPERATION (SCRUBBING AND DRYING).....	8
TANK EMPTYING.....	8
AFTER USING THE MACHINE.....	9
USING FOR THE FIRST TIME.....	9
MAINTENANCE AND CARE	9
SCHEDULED MAINTENANCE TABLE	10
SQUEEGEE CLEANING	10
SQUEEGEE BLADE CHECK AND REPLACEMENT	10
BRUSH/POLISHING PAD CLEANING.....	11
WATER TANK AND FLOAT FILTER MESH CLEANING	11
SOLUTION FILTER CLEANING.....	12
CIRCUIT FIGURE OF AS430C AND AS510C.....	13
TROUBLESHOOTING	14
MACHINE DISPOSAL	14

INTRODUCTION



NOTE

The numbers in brackets refer to the related components shown in Machine Description section.

MANUAL CONTENTS

This manual is to provide the operator with the necessary information to use this machine properly and safely. The information includes the technical data, safety, operation, storage, maintenance and disposal of the machine. The operator and technicians with related qualifications must study this manual carefully before commencing the operation and maintenance of this machine. Please contact VIPER for any queries on the explanation of this manual or when further related information is needed.

PURPOSE

The intention of this manual is to enable the operator and qualified technicians to accomplish the maintenance of this machine.

The operator must not perform those operations that should only be performed by technicians. VIPER will not be responsible for any damages caused by the violation of this rule.

SPARE PARTS AND MAINTENANCE

All necessary operation, maintenance, and repair procedures must be performed by qualified personnel or by the service centers of VIPER

Only Authorised spare parts and accessories should be used.

If service and ordering of spare parts or accessories are needed, please contact VIPER with the model number of the machine and serial numbers.

CHANGES AND IMPROVEMENTS

VIPER makes continuous improvements on its products. VIPER reserves the right of changing and improving the machines, and also the right of deciding by itself whether the benefits brought about by the changes are applicable to the products already sold. All changes or extra accessories must be agreed by VIPER and must be performed by the company.

SCOPE OF APPLICATION

This scrubber is used in a domestic and industrial environment, and is suitable for the cleaning of smooth and hard floors (scrubbing and waste water collection). It must be used by qualified operators and in a safe environment. This scrubber can not be used for cleaning outdoors, on carpets, and on relatively coarse floors.

IDENTIFICATION DATA

The machine model and serial number are marked on the plate (4).

This information is useful when requiring machine spare parts, Use the following table to write down the machine identification data.

MACHINE mode.....
MACHINE serial number.....

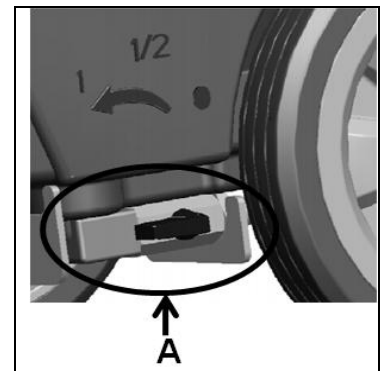
UNPACKING/TRANSPORT

Please follow carefully the instructions on the package when unpacking. On delivery, please inspect the packing and the machine to ensure no damage has been done during transport. If there is any visible damage, please keep the original form, and ask the carrier to confirm and fill out a list of damages for compensation.



— CAUTION

When unpacking and unloading, or during moving the machine across ground with steps, please take care to avoid hitting the on/off switch regulating the water flow, Part A in the figure on the right.



Check if the machine is equipped with the following items:

Technical documents

- Scrubber User Manual

GENERAL SAFETY GUIDES

The following are special warnings and notices on potential damages (personnel and machine):



WARNING!

- Machine may only be operated under the guidance of this manual. Only accessories approved by VIPER should be used.
- This machine must be only used by duly trained or authorised personnel. Children or inappropriate persons must not use this machine.
- When working near electrical parts, please do not wear any jewelry. Please take all precautionary measures to avoid the hair, jewelry, and loose fitting clothes from being caught by any moving parts of the machine.
- Please do not use this machine in particularly dirty areas. Do not wash the machine directly with water. Do not let the machine come in touch with corrosive liquids.
- The temperature for storage and for working environment of the machine must be between 0 - 40°C.
- The humidity of air must be between 30% - 105%.
- Please do not use the machine on a slope with a gradient of more than 2%.
- In case of fire, please use dry powder fire extinguishers. Do not use liquid fire extinguishers.
- Particular attention should be paid when the machine is transported below 0°C. The water tank and the water in the hoses may freeze and cause serious damages to the machine.
- Use brushes and pads supplied with the machine and those specified in the User Manual. Using other brushes or pads could reduce safety.
- In case of machine malfunction, please make sure that it is not caused by lack of maintenance. If it is caused by other conditions, please seek the assistance of authorised personnel or the service center.
- If it is confirmed that the spare parts must be replaced, please secure the genuine parts from authorised dealers or agents.
- In order to ensure the safe and proper operation of the machine, please let authorised personnel or the service center perform the scheduled maintenance according to the maintenance schedules in the related sections of the manual.
- This machine must be properly disposed of because there may exist poisonous and hazardous matters, and these matters must be disposed of by special centers in accordance with related laws and regulations (please refer to machine disposal section).

TECHNICAL DATA

Model	AS430C	AS510C
Machine Height	980mm	
Solution tank capacity	50 litre	
Recovery tank capacity	50 litre	
Diameter of transport wheel	200mm	
Diameter of guide wheel	63.5mm	
Power of vacuum system motor	400w	
Maximum gradient when working	2% (Max)	
Sound pressure level at workstation	72dB(A) ±3dB(A)	
Cable length	20m	
Vacuum system circuit capacity	1200 mm H ₂ O	
Cleaning width	430mm	510mm
Squeegee width	730mm	790mm
machine maximum length	1060mm	1100mm
Machine width without squeegee	480mm	540mm
Brush diameter	430mm	510mm
Weight with empty tanks	70kg	74kg
Gross weight of the machine ready for use	120kg	124kg
Brush motor power	750W	
Brush speed	150rpm	
Brush /pad-holder Maximum pressure	32kg (Max)	35kg(Max)
Packing size (Lx W x H)	1200 x 610 x 1170mm	

MACHINE DESCRIPTION**MACHINE STRUCTURE**

- | | |
|--|--|
| 1. Safety switch button | 20. Squeegee adjusting handwheel |
| 2. Handlebar | 21. Squeegee rear support frame |
| 3. Control panel | 22. Squeegee front support frame |
| 4. Serial number plate/Technical data / Conformity certification | 23. Cup holder |
| 5. Control cover | 24. Recovery tank cover handle |
| 6. N/A | 25. Recovery tank cover |
| 7. N/A | 26. Tank body |
| 8. Reset switch | 27. Water inlet cover |
| 9. Power cable | 28. Brush deck |
| 10. Battery cover | 29. Brush / pad-holder |
| 11. Vacuum tube for waste | 30. Vacuum system motor |
| 12. Squeegee drawing cord | 31. Brush motor |
| 13. N/A | 32. 8" wheel |
| 14. Squeegee lifting handle | 33. N/A |
| 15. Draining hose | 34. Vacuum tube |
| 16. Squeegee fixed knob | 35. Electric box |
| 17. Squeegee clip | 36. Float filter |
| 18. Squeegee blade | 37. Water level tube (to indicate amount of water in Solution tank) |
| 19. Squeegee support frame | |

FIGURES OF MACHINE STRUCTURE

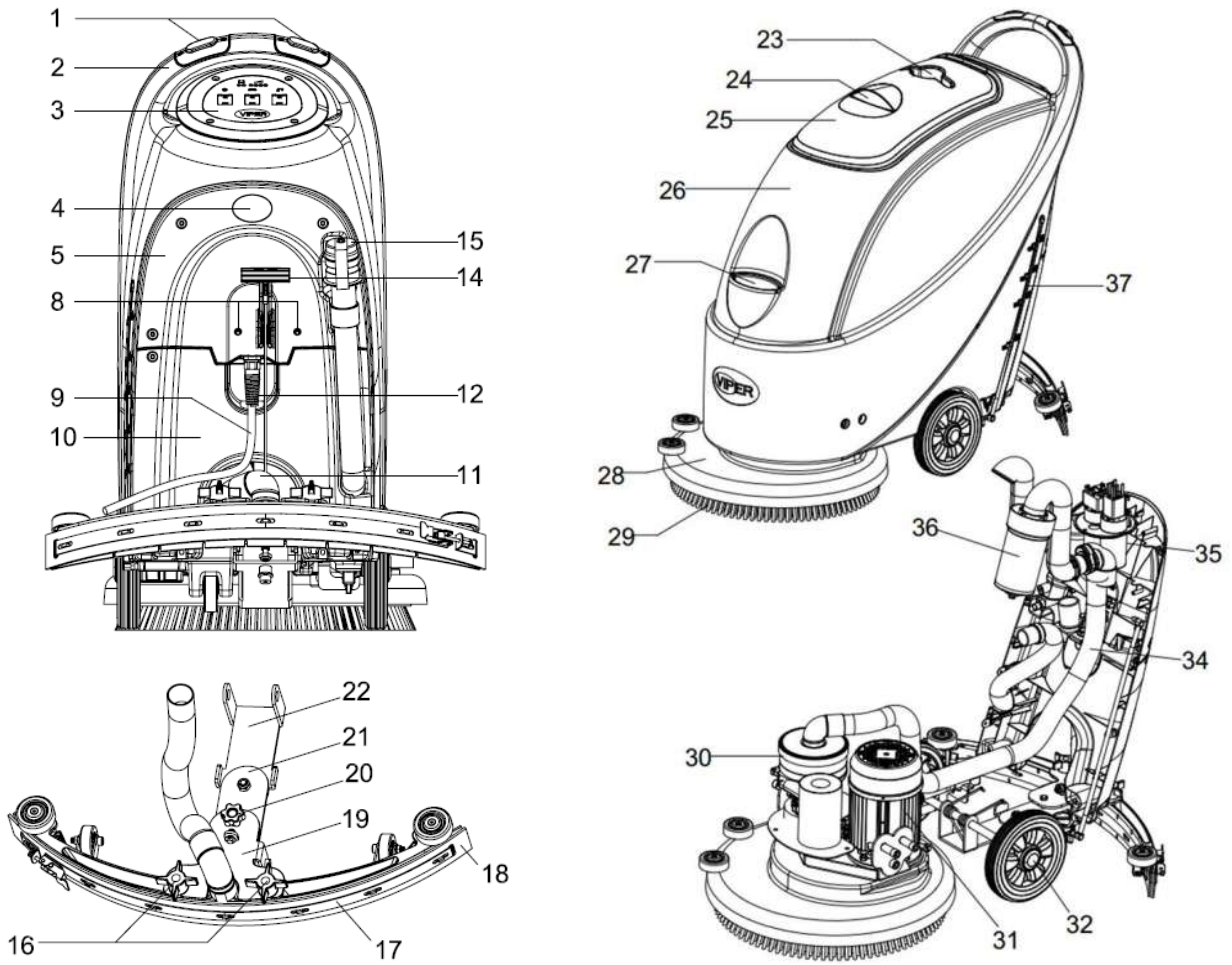


Figure 1

CONTROL PANEL (Figure2)

- 38. Power switch
- 39. Vacuum switch
- 40. Solenoid valve switch

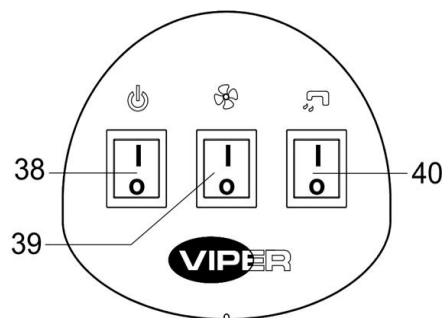


Figure 2

GUIDE FOR USE



WARNING

On certain parts of the machine are pasted some indicative signs:

- DANGER
- WARNING
- CAUTION
- CONSULTATION

When reading this manual, the operator must pay particular attentions to the symbols on these signs. Under no circumstances shall these signs be covered. If they are damaged, please replace immediately.

BEFORE MACHINE START-UP

INSTALLING AND UNLOADING THE BRUSH / PAD-HOLDER



NOTE

According to the type of floor to be cleaned, the machine may be installed with brush (Figure3, A), or a pad-holder (Figure 3, B and C).



CAUTION !

When manually installing or unloading the brush/pad-holder, first check if all the switches are in the off position and lift the squeegee off the floor, only after which can the brush or pad-holder be worked on. Furthermore, please put on protective gloves to avoid being cut by fragments.

1. (Only applicable to **AS430C** and **AS510C**): make sure the power cable (9) disconnecting the power supply and the power switch (38) is at the disconnecting (O) condition.
2. Press down the handlebar (2) to lift the tank body (26).
3. Put the brush (A) or the pad-holder (B – C) under the case.
4. Use the handlebar (2) to lower the tank body (26) to come into contact with the brush or pad-holder.
5. To install the brush/pad-holder automatically, turn the power switch (38) to the "I" position and press down the safety switch (1). Gently push the machine forward so as to allow the belt wheel at the bottom of the tank body to align with the brush or pad-holder which can then be installed. Then release the safety switch. If necessary, repeat this procedure until the brush/pad-holder is installed.
6. If Step 5 above proves to be difficult, use the manual method by following the arrow head (D) to install the brush/pad-holder (as shown in **Figure 3**).
7. To automatically unload the brush/pad-holder, turn the power switch (38) to the "O" position. Use the hand to hold the handlebar, and press the machine downwards until the guide wheel touches the floor and the brush/pad-holder hangs in the air. Turn the power switch (38) to the "I" position, and press down the safety switch to let the brush or pad-holder turn until the brush/pad-holder drops to the floor.
8. If Step No. 7 above proves to be difficult, use the manual method by turning the brush/pad-holder in the direction opposite to the normal turning direction, and it can be taken off. (as shown in **Figure 3**)

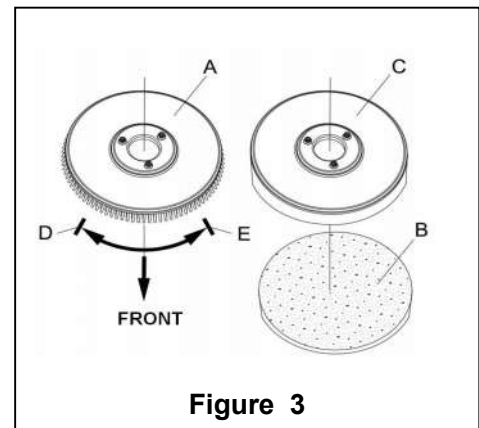


Figure 3

ADJUSTING THE BALANCE OF THE SQUEEGEE

9. Install the squeegee and turn it tight with the handle (16). Then connect the vacuum tube (11) for waste to the squeegee.
10. Adjust the squeegee through the adjusting handle (A) of the squeegee (see **Figure 4**).
 - 1) If the mid-section of the rear squeegee strip, section B, has a gap with the floor or the downward pressure is relatively light, adjust the handle in an anti-clockwise direction until the whole length of the rear squeegee strip touches well with the floor. The front squeegee strip should lightly touch the floor.

- 2) If the two ends of the rear squeegee strip, sections C and D, have a gap with the floor or the downward pressure is relatively light, adjust the handle in a clockwise direction until the whole length of the rear squeegee strip touches well with the floor. The front squeegee strip should lightly touch the floor.

Solution tank filling



CAUTION!
Only low foam, nonflammable detergents may be used. These detergents must be suitable for the use of scrubbers.

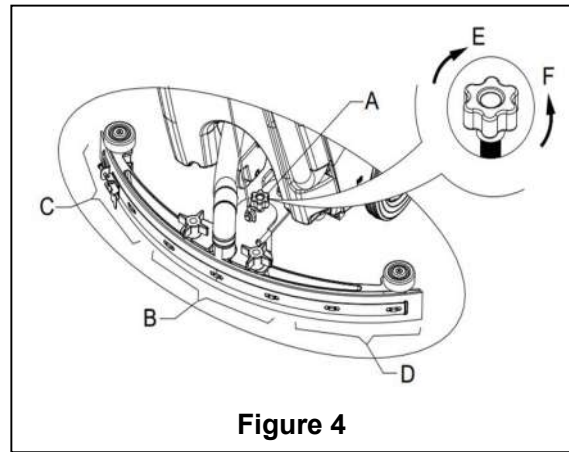


Figure 4

11. Open the water inlet cover (27) and add water to solution tank. Do not overfill the tank. Filling up to near the edge of the filter holder of the water inlet will suffice. When preparing the cleaning solutions, please follow the dilution rates supplied by the chemical manufacture and the water temperature must not exceed 40⁰ C.

REGULATING THE VOLUME OF WATER FLOW



WARNING !
Regulating the ball valve handle (A, Figure 5) must be done under the condition when the power switch (38) is in the "O" position.

12. The volume of the water flow may be adjusted through the ball valve handle (A, Figure 5) according to the amount of water practically required for scrubbing the floor.

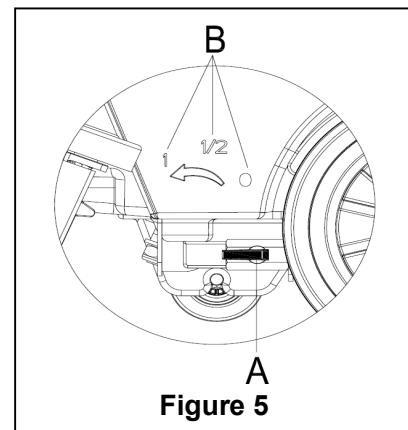


Figure 5

MACHINE START AND STOP

Starting the machine

1. Complete the preparatory steps as related above.
2. Connect the power cable (9) to a corresponding voltage power supply, and press the power switch (38) to the "I" position.
3. Use the squeegee handle (14) to lower the squeegee.
4. Press the Vacuum switch (39) to the "I" position.
5. Press the water flow volume control switch (40) to the "I" position. (Work simultaneously with the safety switch (1) to control the work of solenoid valve.)
6. Hold the safety switch (1) and push to move the machine. The brush (29) starts to rotate, and the machine starts its cleaning job.



CONSULTATION: The way to push the machine
One of the characteristics of the machine is the installation of two safety switches on both sides of handlebar. Each safety switch is capable of controlling independently the operation of the brush. In use, it facilitates the control of the operation of the machine.
By experience, the method to move the machine shown on right Figure 6 is more suitable, the users feel more comfortable on hands, it reduces work fatigue. So the users are recommended to move the machine in this way.

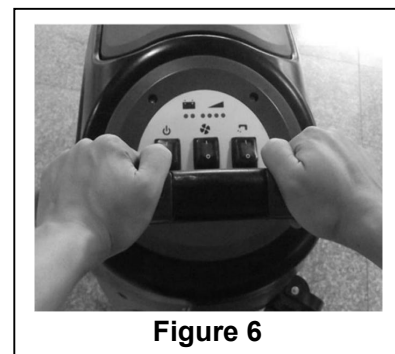


Figure 6

Turning off the machine

7. When you have finished using the machine, first unload the brush/pad-holder (refer to the steps related in the section on brush/pad-holder installation and unloading)
8. Release the safety switch (1) to turn off the brush/pad-holder and solenoid valve.
9. Press the Vacuum pump switch (39) to the "O" position, and the Vacuum pump will delay for 5 seconds before stopping work.
10. Press the water flow volume control switch (40) to the "O" position to completely turn off the work of solenoid valve.
11. Press the power switch (38) to the "O" position. And disconnecting the power cable (9) from the power supply.
12. Use the squeegee lifting handle (14) to lift the squeegee.
13. Grasp the handlebar (2) and gently tilt the machine backward until the guide wheel (B) touches the floor. See **Figure 7**.

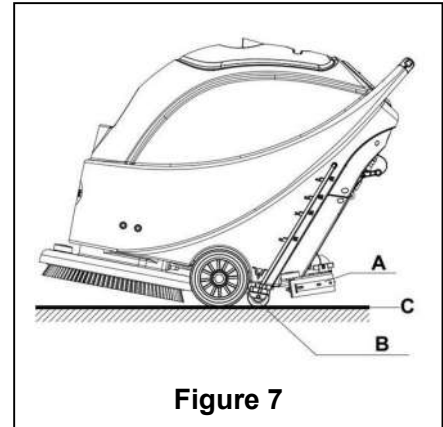


Figure 7

MACHINE OPERATION (SCRUBBING AND DRYING)

1. Start the machine according to the description above.
2. Hold the safety switch (1) (according to the way shown in **Figure 6**), push to move the machine, and start the cleaning job.
3. If necessary, turn off the machine, and adjust the regulating handle of the squeegee. (Refer to the steps for adjusting the balance of the squeegee)
4. If necessary, turn off the machine, and adjust the volume of water flow with the ball valve handle. (Refer to the steps of adjusting volume of water flow.)



CAUTION!

In order to avoid damaging the floor, when the machine stays in one place without moving, please turn off the power switch (38).

TANK EMPTYING

When recovery tank is full, a float in the automatic float turn-off device (36) will block the inlet connecting to the vacuum pump. Through a sudden increase of noise from the vacuum pump, it can be considered that the vacuum pump is already overloaded and an immediate draining of the wastewater is needed.



CAUTION!

If the vacuum motor is suddenly turned off (e.g. because the machine is suddenly moved resulting in an activation of the float), and if a resumption of operation is needed, please perform the following steps: press the power switch (38 and 39) to turn off the power and the vacuum motor, and open the recovery tank cover (25) to check if the float in the float filter has returned to the water surface. Then close recovery tank cover (25), and press the power switch (38 and 39) to turn on the power and the vacuum motor.

When the recovery tank is fully filled with wastewater, follow the following steps to drain it all.

Recovery tank emptying

1. Turn off the machine.
2. By using the squeegee handle (14), lift the squeegee.
3. Move the machine to a dedicated dump site.
4. Grasp the handlebar (2) and gently incline the machine backward until the guide wheel touches the floor. (For docking of the machine please refer to the procedures in the stopping of the machine section.)
5. Take off the draining hose from the fixation clip, bend the top end of draining hose (as shown in **A, Figure 8**), and then open the cover of draining hose, lower draining hose to a low level or on the ground to drain the water.

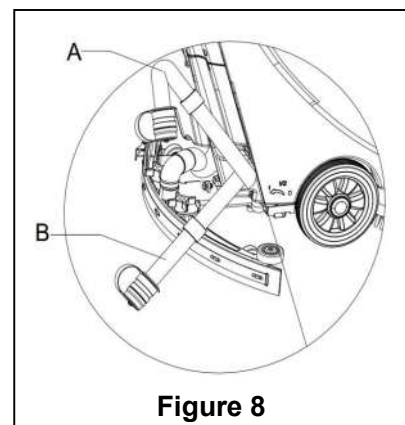


Figure 8

Alternatively, directly place draining hose to a low position or on the ground to make the water outlet face downward (as show in **B, Figure 8**), and then twist open the water draining lid to drain off the wastewater in the tank. After draining is completed, use pure water to cleanse the inside of recovery tank.



CAUTION!

When draining the wastewater, the vacuum tube for waste must be folded or lowered to a lower position (as shown in Figure 8 A or B), and then open the lid of the vacuum tube for waste to drain the water. Do not make the outlet of the vacuum tube for waste face upward to drain the water vertically. This is to avoid wastewater spilling onto the operator.

Solution tank emptying

6. Complete Steps 1 to 4.
7. As shown in **Figure 9**, turn open the lid of Solution tank (A) anticlockwise along direction C, and drain Solution tank completely. Use pure water to cleanse the inside of Solution tank. When work is completed, turn tight the lid of Solution tank (A) clockwise in direction B.

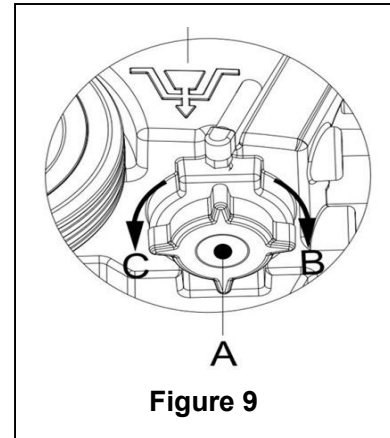


Figure 9

AFTER USING THE MACHINE

When work is done and before leaving the machine, completes the following steps:

1. Follow the procedure as described in aforementioned section about installing and unloading the brush/pad-holder, and take off the brush/pad-holder.
2. Following the procedures described in related sections, drain the water completely in Solution tank and recovery tank.
3. Complete the daily maintenance procedures (refer to the section on maintenance).
4. Store the machine, including the brush/pad-holder and squeegee, in a clean and dry place. The squeegee should be lifted or taken off.

USING FOR THE FIRST TIME

After using for the first 9 hours, please check all parts to make sure nothing has become loose or damaged during operation, and check if there are any visible damages or leakage.

MAINTENANCE AND CARE

The service life and the maximum operation safety of the machine are assured by proper and timely maintenance and care.

The following table provides a general maintenance plan for the machine. The time intervals of maintenance are determined to a large extent by the working conditions of the machine. These time intervals should be formulated by the personnel responsible for the maintenance.



WARNING!

Only after the power of the machine is disconnected should these procedures be performed. Before proceeding with any of the maintenance procedures, please study carefully the related safety sections.

All maintenance in the plan or all additional maintenance must be done by qualified personnel or authorised service centers.

This manual only relates the simplest and the most common maintenance procedures.

For any maintenance procedures other than those stated in this table of planned maintenance, please refer to the maintenance manual of the service center.

SCHEDULED MAINTENANCE TABLE

Procedure	Daily, Machine after use	Weekly	Every 6 months	Annually
Clean squeegee				
Clean brush/pad-holder				
Clean water tank and float filter, inspect the sealing strips of the water tank				
Inspect and change the squeegee strip				
Clean Solution filter				
Clean Vacuum motor filter				
Inspect tightness of nuts and bolts			(1)	
Inspect or change motor carbon brush of brush/pad-holder				(2)
Inspect or change carbon brush of Vacuum motor				(2)

(1) It should be done 9 hours after the machine starts working.

(2) These maintenance procedures must be done by an authorized VIPER Service Center.

SQUEEGEE CLEANING**NOTE**

In order to maintain the optimal effect of water Vacuum, the squeegee must be kept clean, and the squeegee strip must remain in a good condition.

**CAUTION !**

When cleaning the squeegee, it is recommended to put on protective gloves because the squeegee may contain sharp fragments.

1. Move the machine to a flat and smooth surface.
2. Press the power switch (38) to the "O" position to turn off the machine.
3. Unscrew the fixed handle (16) of the squeegee; take off the connector connecting the Recovery Vacuum tube of the squeegee, and take off the squeegee.
4. Use the squeegee lifting handle (14) to lift the squeegee support frame.
5. Clean the squeegee (**Figure 10**). Clean in particular the groove (**A, Figure 10**) and the dirt and fragments on the Vacuum tube. Check if the front squeegee blade (C) and the rear squeegee blade (D) are intact, and if there are broken edges and cracks. Change them if necessary (refer to the steps in the following section).
6. Re-install the squeegee in the reverse order of the above.

SQUEEGEE BLADE CHECK AND REPLACEMENT

1. Following the methods related in the previous section clean the squeegee (**Figure 10**)
2. Check the edge (**E, Figure 10**) of the front squeegee blade and the edge (F) of the rear squeegee blade (D). On the whole length, they should be on the same level. Otherwise, adjust their heights through the following procedure.
 - Loosen the clip (G) to let the rear squeegee blade (D) separate from the bracket (M) for the adjustment of the position of the squeegee. After the adjustment, lock the clip once again.
 - Loosen the screw on the handle (I) to adjust the front squeegee blade (C); tighten the handle screw after adjustment.
3. Check if the front squeegee blade (C) and the rear squeegee blade (D) is intact and if there are broken edges and cracks. If necessary, change them according to the following ways. Check the front edge of the rear squeegee blade (J) whether it has been worn. If worn, it can be installed upside down (the top edge is required to be intact). If the top edge is also worn, change it by following the procedure below:
 - Loosen the clip (G) to let the pressure blade separate from the bracket (M), take off the clip bar (K), and then change or turn the rear squeegee blade (D) upside down. Re-install the rear squeegee blade in the reverse order of taking it off.
 - Loosen the handle screw (I) and take off the front clip bar (L), and then change the front squeegee (C).

Re-install the front squeegee blade in the reverse order of taking it off.

After changing the squeegee blade (or installing upside down), adjust the level of the front and rear squeegee blades in the procedures as described above.

4. Connect the Vacuum tube (11) to the squeegee.
5. Install the squeegee and use the knob (16) to tighten it, and then connect the Vacuum tube to the squeegee.
6. If necessary, adjust the squeegee through the adjusting handwheel (20) (refer to the procedures for adjusting the balance of the squeegee).

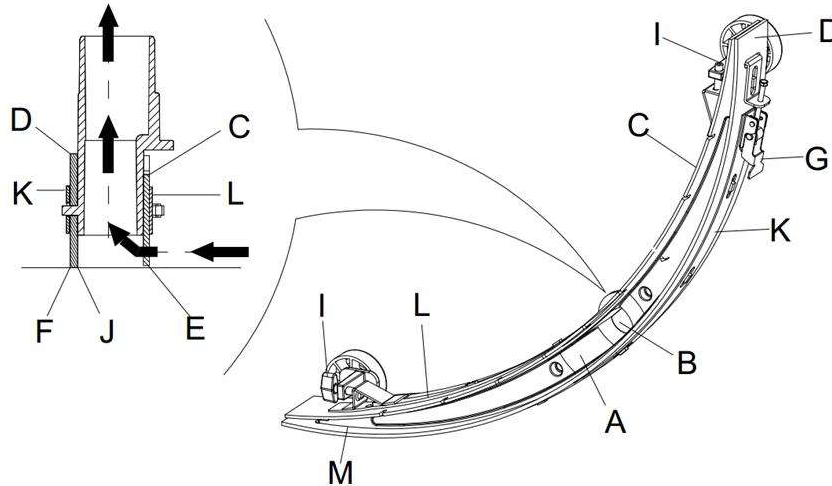


Figure 10

BRUSH/POLISHING PAD CLEANING



CAUTION!

When cleaning the brush/pad-holder, the wearing of protective gloves is recommended because they may contain sharp fragments.

1. In the way as related in previous sections, take off the brush/pad-holder.
2. With the use of water and detergents, clean the brush/pad-holder.
3. Check the completeness and wearing condition of the bristles on the brush and, if necessary, change the brush.
4. Check the wearing condition of the pad-holder and, if necessary, change the pad-holder.

WATER TANK AND FLOAT FILTER MESH CLEANING

1. Move the machine to a dedicated dumping site.
2. Press the power switch (38) to the position "O" to turn off the machine.
3. Open recovery tank lid (A, Figure 11), and take off the float device (36) from recovery tank.
4. Use pure water to clean recovery tank lid (A), the tank (B and C), and the float filter support frame (E). Through the Recovery tube (15), drain all the water from the water tank.
5. If necessary, following the symbols "Open" and "Close" as shown in Figure 11, open the bottom lid (F) of the float filter and clean the float (D), float filter support frame (E), and the filter sponge (I). After cleaning, fix the float onto the float filter support frame (E), and then align the mark groove (L) of the bottom lid (F) of the float filter with the mark groove (L) of the float filter support frame (E). Turn the bottom lid (F) of the float filter tight, and fix the filter sponge (I) onto the float filter support frame (E), and then onto the Vacuum tube (M).
6. Check the soundness of the sealing ring (G) of the water tank lid.



NOTE

The sealing strip (G) of the water tank makes the water tank create a vacuum. It must be completely sealed to be able to effectively suck the wastewater from the floor.

If necessary, the sealing strip of the water tank (G) may be taken out from the groove (H) and changed. When assembling a new water tank sealing strip, as shown in Figure 11 below, install the connector to the middle section of the rear part.

7. Check if the receiving surface of the sealing strip (G) is intact and seals adequately.
8. Close recovery tank lid (A).

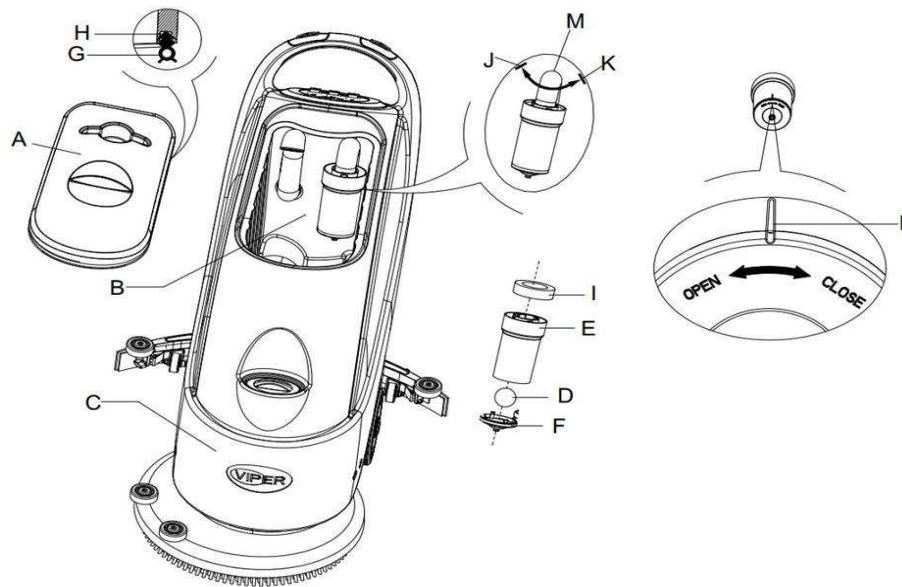


Figure 11

SOLUTION FILTER CLEANING

1. Drain all the water from Solution tank in the way as introduced in related sections.
2. Move the machine to a flat and smooth ground.
3. Press the power switch (38) to the "O" position to turn off the machine.
4. Turn off the draining ball valve (A, Figure 12) (located at the bottom of the machine, behind the wheels). Position B ball valve open, and position C ball valve closed.
5. Take off the transparent lid (D), and then take off the filter (E), and install them onto the filter box (F) after cleaning.



NOTE

The filter (E) must be accurately installed onto the position of the projection (G).

6. Open the draining ball valve (A)

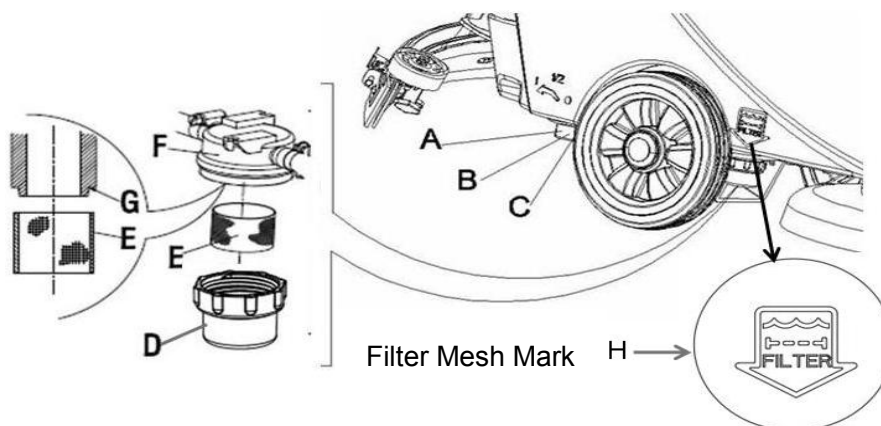
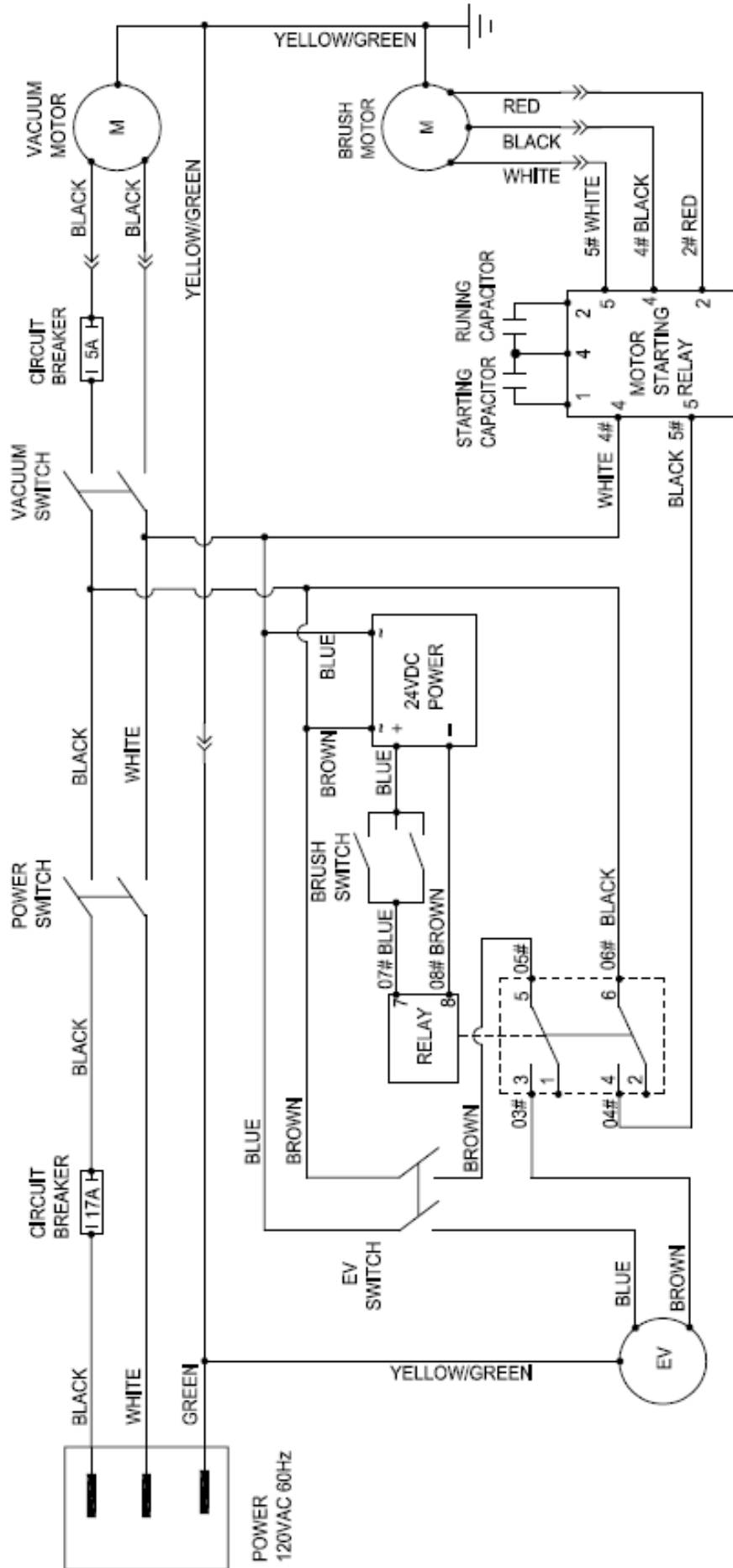


Figure 12

CIRCUIT FIGURE OF AS430C AND AS510C



TROUBLESHOOTING

Breakdown	Probable Causes	Remedies
Machine not working	The wiring not connected correctly or bad wiring	Check the wiring or contact Viper Distributor
	Bad brush motor	Contact Viper Distributor
	Carbon brush worn out	Contact Viper Distributor
Vacuum motor not working	The wiring not connected correctly or bad wiring	Check the wiring or contact Viper Distributor
	Bad vacuum motor	Contact Viper Distributor
	Carbon brushes worn out	Contact Viper Distributor
Little or no solution flow	Bad ball valve	Contact Viper Distributor
	Bad solution valve	Contact Viper Distributor
	Ball valve position in need of adjustment	When ball valve is in horizontal position, the amount of solution flow is maximum
	Filter dirty.	Clean the filter
Inadequate Vacuum	Wastewater tank is full.	Drain the water tank
	Vacuum tube for waste and squeegee not properly connected	Connect the Vacuum tube for waste and the squeegee
	Float filter blocked or inlet blocked	Clean the float filter, check the float ball
	Squeegee dirty or squeegee blade worn and damaged	Clean and check the squeegee
	Recovery tank lid not properly turned on, or the sealing strip of the water tank damaged	Refit on the lid properly, or change the water tank sealing strip
Squeegee leaving marks	Debris like fragments under the squeegee blade	Remove the fragments
	Squeegee blade already worn, cracked, brittle.	Change the squeegee blade
	Balance of squeegee not adjusted	Adjust the balance

MACHINE DISPOSAL

Use qualified crushing machine to destroy this machine.

Before destroying this machine, please take away and segregate the following materials which, according to related laws and regulations, must be properly processed.

- Brush/pad-holder
- Plastic hoses and plastic components
- Electrical and electronic components (*)

(*): Please contact the nearest VIPER Center (especially when scrapping of electrical and electronic components is required).

INHALTSVERZEICHNIS

EINLEITUNG	16
INHALT DER BEDIENUNGSANLEITUNG	16
ZWECK	16
ERSATZTEILE UND WARTUNG.....	16
ÄNDERUNGEN UND VERBESSERUNGEN	16
ANWENDUNGSBEREICH	16
AUSPACKEN/TRANSPORT.....	16
ALLGEMEINE SICHERHEITSHINWEISE.....	17
TECHNISCHE DATEN.....	18
GERÄTEBESCHREIBUNG	18
AUFBAU DES GERÄTS	18
ÜBERBLICK ÜBER DAS BEDIENFELD	19
BEDIENUNGSANLEITUNG	20
VOR INBETRIEBNAHME DES GERÄTS.....	20
MONTIEREN UND ENTFERNEN DER BÜRSTEN/PAD-HALTERUNG.....	20
EINSTELLEN DER SAUGLEISTE.....	20
REGULIERUNG DES WASSERDURCHFLUSSES.....	21
START UND STOPP DES GERÄTS	21
EINSATZ DES GERÄTS (SCHEUERN UND TROCKNEN).....	22
TANK ENTLLEEREN	22
NACH DEM EINSATZ DES GERÄTS	23
VOR DER ERSTEN VERWENDUNG	24
WARTUNG UND PFLEGE	24
TABELLE DER PLANMÄSSIGEN WARTUNGSARBEITEN	24
REINIGEN DES ABSTREIFERS	24
ÜBERPRÜFEN UND AUSTAUSCHEN DES ABSTREIFERBANDS.....	25
REINIGEN VON BÜRSTE/POLIERPAD	26
REINIGEN DES SCHMUTZWASSERTANKS UND DES SCHWIMM FILTERSIEBS	26
REINIGEN DES FRISCHWASSERTANKS	27
SCHALTKREISDIAGRAMM FÜR DEN AS430C UND AS510C	28
FEHLERBEHEBUNG	29
GERÄTEENTSORGUNG	29

EINLEITUNG



HINWEIS

Die Zahlen in Klammern beziehen sich auf die im Abschnitt "Beschreibung des Geräts" dargestellten Komponenten.

INHALT DER BEDIENUNGSANLEITUNG

Dieses Handbuch dient dazu, den Anwender mit den notwendigen Informationen auszurüsten, um dieses Gerät richtig und sicher nutzen zu können. Die Informationen beinhalten die technischen Daten, Sicherheit, Betrieb, Lagerung, Wartung und Entsorgung des Geräts. Der Anwender und Techniker mit entsprechenden Qualifikationen muss diese Anleitung sorgfältig vor Beginn der Anwendung und Wartung dieses Geräts durchlesen. Setzen Sie sich bitte mit VIPER in Verbindung, wenn Sie Anfragen hinsichtlich der Erklärungen in diesem Handbuch haben oder wenn weitere Informationen benötigt werden.

ZWECK

Die Absicht dieser Bedienungsanleitung ist es, dem Anwender und qualifizierten Technikern zu ermöglichen, die Wartung dieses Geräts durchzuführen.

Der Anwender sollte diese Tätigkeiten nicht durchführen, sie sollten nur von Technikern durchgeführt werden. VIPER ist nicht verantwortlich für Schäden, die durch die Verletzung dieser Regel verursacht werden.

ERSATZTEILE UND WARTUNG

Alle notwendigen Betriebs-, Wartungs- und Reparaturarbeiten müssen von qualifiziertem Personal oder durch die Service-Center von VIPER durchgeführt werden.

Es sollten nur autorisierte Ersatzteile und Zubehörteile verwendet werden.

Wenn der Service und die Bestellung von Ersatzteilen oder Zubehörteilen benötigt wird, wenden Sie sich bitte mit der Modell-Nummer des Gerätes und den Seriennummern an VIPER.

ÄNDERUNGEN UND VERBESSERUNGEN

VIPER führt kontinuierliche Verbesserungen seiner Produkte durch. VIPER behält sich das Recht der Veränderung und Verbesserung der Geräte vor und auch das Recht zu entscheiden, ob die Vorteile die durch die Veränderungen mit sich gebracht werden, auch auf die Produkte anwendbar sind, die bereits verkauft wurden. Allen Änderungen oder zusätzlichen Zubehörteilen muss von VIPER zugestimmt werden, und sie müssen vom Unternehmen durchgeführt werden.

ANWENDUNGSBEREICH

Dieser Nassreiniger wird in einem häuslichen und industriellen Umfeld eingesetzt und eignet sich für die Reinigung von glatten und harten Böden (Scheuern und Abwasserentsorgung). Er darf nur von qualifizierten Anwendern in einer sicheren Umgebung verwendet werden. Dieser Nassreiniger kann nicht für die Reinigung im Freien, auf Teppichen und auf relativ rauen Böden verwendet werden.

AUSPACKEN/TRANSPORT

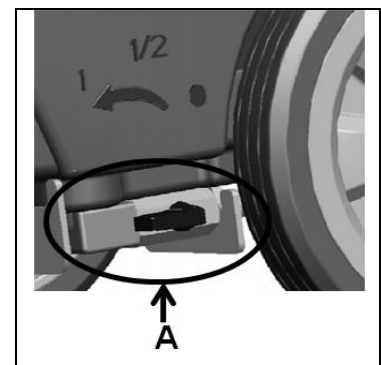
Beachten Sie beim Auspacken unbedingt die Hinweise auf der Verpackung.

Überprüfen Sie bitte bei der Lieferung die Verpackung und das Gerät, um sicherzustellen, dass während des Transports keine Schäden aufgetreten sind. Wenn irgendein sichtbarer Schaden aufgetreten ist, halten Sie bitte die ursprüngliche Form bei, und bitten Sie den Spediteur, den Schaden zu bestätigen und eine Liste der Schäden für die Entschädigung auszufüllen.



–ACHTUNG

Achten Sie beim Auspacken und Entladen oder während der Bewegung des Geräts über Böden mit Stufen darauf, den Ein/Aus-Schalter zur Regelung des Wasserdurchlasses nicht anzuschlagen, Teil A in der Abbildung auf der rechten Seite.



Prüfen Sie, ob das Gerät mit den folgenden Elementen ausgestattet ist:

Technische Unterlagen
– Bedienungsanleitung

ALLGEMEINE SICHERHEITSHINWEISE

Es folgen Warnhinweise und Hinweise auf mögliche Schäden (Personal und Gerät):



WARNUNG!

- Das Gerät darf nur unter der Anleitung dieser Bedienungsanleitung bedient werden. Nur Zubehör, das von VIPER genehmigt wurde, sollte verwendet werden.
- Dieses Gerät darf nur von ordnungsgemäß ausgebildetem oder autorisiertem Fachpersonal verwendet werden.
- Tragen Sie bei Arbeiten in der Nähe elektrischer Teile bitte keinen Schmuck. Ergreifen Sie alle Vorsichtsmaßnahmen, um zu vermeiden, dass Haare, Schmuck und locker sitzende Kleidung sich in den bewegenden Teilen des Geräts verfangen.
- Bitte verwenden Sie dieses Gerät nicht in besonders schmutzigen Umgebungen. Reinigen Sie das Gerät nicht direkt mit Wasser. Vermeiden Sie, dass das Gerät mit ätzenden Flüssigkeiten in Kontakt kommt.
- Der Temperaturbereich für die Lagerung und für die Arbeitsumgebung des Geräts liegt zwischen 0 bis 40 °C.
- Die Luftfeuchtigkeit muss zwischen 30 % und 105 % liegen.
- Benutzen Sie das Gerät nicht auf Flächen mit einer Neigung von mehr als 2 %.
- Verwenden Sie bitte im Falle eines Brands Trockenpulver-Feuerlöscher. Verwenden Sie keine Flüssig-Feuerlöscher.
- Besondere Aufmerksamkeit sollte auf den Transport des Geräts bei Temperaturen unter 0 °C gelegt werden. Der Wassertank und das Wasser in den Schläuchen können einfrieren und zu schweren Schäden am Gerät führen.
- Verwenden Sie die Bürsten und Pads, die mit dem Gerät geliefert wurden und die, die in der Bedienungsanleitung angegeben sind. Die Verwendung anderer Bürsten oder Pads könnte die Sicherheit beeinträchtigen.
- Im Falle von Fehlfunktionen des Geräts stellen Sie sicher, dass sie nicht durch mangelnde Wartung verursacht wurden. Wenn sie durch andere Umstände verursacht wurden, wenden Sie sich bitte an autorisierte Personen oder das Service-Center.
- Wenn feststeht, dass die Ersatzteile ausgetauscht werden müssen, stellen Sie sicher, dass die Originalteile von autorisierten Händlern oder Vertretern kommen.
- Um den sicheren und ordnungsgemäßen Betrieb des Geräts zu gewährleisten, stellen Sie sicher, dass autorisiertes Personal oder das Service-Center die Wartungsarbeiten, gemäß den Wartungsintervallen in den entsprechenden Abschnitten des Handbuchs, durchführt.
- Dieses Gerät muss ordnungsgemäß entsorgt werden, da es giftige und gefährliche Materialien enthalten kann, und diese Stoffe müssen durch spezielle Zentren, in Übereinstimmung mit einschlägigen Gesetzen und Verordnungen entsorgt werden (siehe Abschnitt Entsorgung des Geräts).

TECHNISCHE DATEN

Modell	AS430C	AS510C
Gerätehöhe	980 mm	
Kapazität des Frischwassertanks	50 Liter	
Kapazität des Schmutzwassertanks	50 Liter	
Durchmesser des Transportrads	200 mm	
Durchmesser des Führungsrad	63.5 mm	
Leistung des Vakuumsystem-Motors	400 W	
Maximale Steigung während des Betriebs	2 % (Max.)	
Schalldruckpegel am Arbeitsplatz	72 dB (A) ± 3 dB (A)	
Kabellänge	20 m	
Vakuumsystem Schaltkreiskapazität	1200 mm H ₂ O	
Reinigungsbreite	430 mm	510 mm
Breite des Abstreifers	730 mm	790 mm
Maximale Gerätelänge	1060 mm	1100 mm
Gerätebreite ohne Abstreifer	480 mm	540 mm
Bürstendurchmesser	430 mm	510 mm
Gewicht bei leeren Tanks	70 kg	74 kg
Bruttogewicht der einsatzbereiten Maschine	120 kg	124 kg
Leistung des Bürstenmotors	750 W	
Bürstengeschwindigkeit	150 U/m	
Maximaler Druck des Bürsten/Pad-Halters	32 kg (Max.)	35 kg (Max.)
Packungsgröße (L x B x H)	1200 x 610 x 1170 mm	

GERÄTEBESCHREIBUNG

AUFBAU DES GERÄTS

- | | |
|--|---|
| 1. Sicherheitsschutzschalter | 20. Einstellrad des Abstreifers |
| 2. Lenker | 21. Hinterer Tragrahmen des Abstreifers |
| 3. Bedienfeld | 22. Vorderer Tragrahmen des Abstreifers |
| 4. Seriennummernschild/Technische Daten /Konformitäts-Zertifizierung | 23. Becherhalter |
| 5. Gerätedeckel | 24. Deckelgriff des Schmutzwassertanks |
| 6. n./a. | 25. Schmutzwassertank-Abdeckung |
| 7. n./a. | 26. Tankgehäuse |
| 8. Reset-Schalter | 27. Wasserzulauf-Abdeckung |
| 9. Netzkabel | 28. Bürstenhalter |
| 10. Batterieabdeckung | 29. Bürsten/Pad-Halter |
| 11. Saugrohr | 30. Vakuumsystem-Motor |
| 12. Zugschnur für Saugleiste | 31. Bürstenmotor |
| 13. n./a. | 32. 8-Zoll-Rad |
| 14. Hebegriff des Abstreifers | 33. n./a. |
| 15. Ablaufschlauch | 34. Vakuumrohr |
| 16. Feststellknopf des Abstreifers | 35. Elektrischer Schaltkasten |
| 17. Saugleiste | 36. Schwimmerfilter |
| 18. Sauglippe | 37. Wasserstandsanzeigerohr (dient der Wasserstandsanzeige im Frischwassertank) |
| 19. Tragrahmen des Abstreifers | |

ABBILDUNG DES GERÄTUAUFBAUS

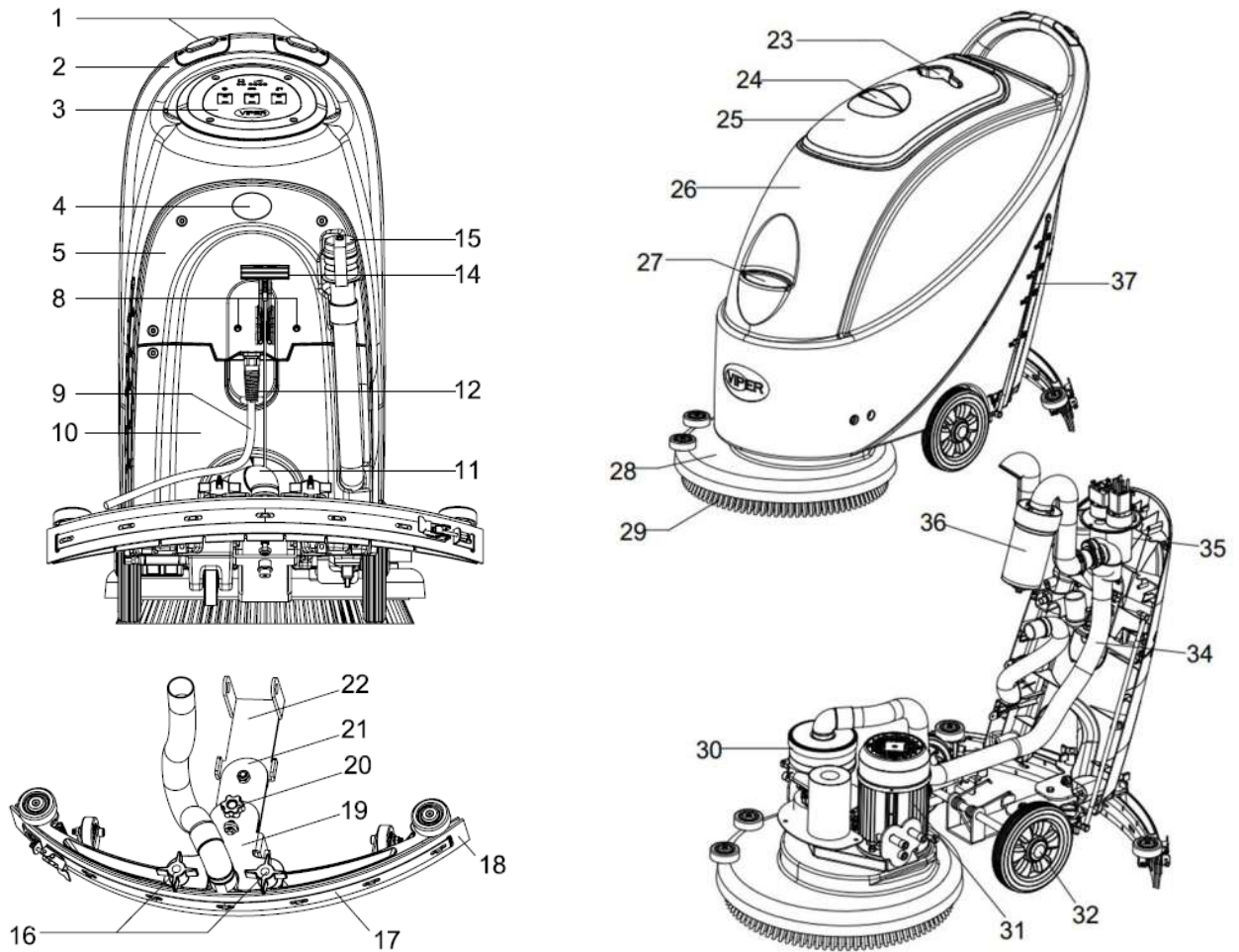


Abbildung 1

ÜBERBLICK ÜBER DAS BEDIENFELD (Abbildung 2)

- 38. Netzschalter
- 39. Schalter, Absaugung
- 40. Magnetventil-Schalter

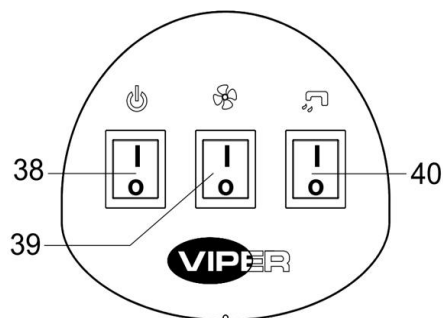


Abbildung 2

BEDIENUNGSANLEITUNG



WARNUNG

Auf bestimmten Teilen des Geräts befinden sich einige Hinweiszeichen:

- GEFAHR
- WARNUNG
- ACHTUNG
- VERWENDUNG

Wenn der Anwender diese Gebrauchsanweisung liest, muss er den Symbolen auf diesen Schildern besondere Aufmerksamkeit schenken.

Unter keinen Umständen dürfen diese Zeichen abgedeckt werden. Wenn sie beschädigt sind, ersetzen Sie sie bitte sofort.

VOR INBETRIEBNAHME DES GERÄTS

MONTIEREN UND ENTFERNEN DER BÜRSTEN/PAD-HALTERUNG



HINWEIS

Je nach Art des zu reinigenden Bodens kann das Gerät mit Bürste (Abbildung 3, A) oder einem Pad-Halter (Abbildung 3, B und C) ausgestattet werden.



ACHTUNG!

Bei der manuellen Installation oder Entfernung des Bürsten/Pad-Halters überprüfen Sie zuerst, ob alle Schalter in der Aus-Position sind, und heben Sie den Abstreifer über den Boden an. Erst dann kann am Bürsten- oder Pad-Halter gearbeitet werden. Ziehen Sie außerdem Schutzhandschuhe an, um zu vermeiden, dass Sie sich durch Fragmente verletzen.

1. (Gilt nur für **AS430C** und **AS510C**): Stellen Sie sicher, dass das Stromkabel (9) von der Stromversorgung getrennt und der Schalter (38) ausgeschaltet (**O**) ist.
2. Drücken Sie den Lenker (2) nach unten, um das Tankgehäuse (26) anzuheben.
3. Legen Sie die Bürste (A) oder den Pad-Halter (B - C) unter das Gehäuse.
4. Verwenden Sie den Lenker (2) zum Absenken des Tankgehäuses (26), damit es in Kontakt mit der Bürste oder dem Pad-Halter kommt.
5. Um den Bürsten/Pad-Halter automatisch zu installieren, schalten Sie den Netzschalter (38) auf die "I"-Position und drücken Sie den Sicherheitsschalter (1). Schieben Sie das Gerät vorsichtig vorwärts, sodass sich die Riemenscheibe an der Unterseite des Tankgehäuses an der Bürste oder dem Pad-Halter ausrichten kann, die dann installiert werden können. Dann lassen Sie den Sicherheitsschalter los. Falls erforderlich, wiederholen Sie diesen Vorgang, bis der Bürsten/Pad-Halter installiert ist.
6. Wenn sich Schritt 5 als zu schwierig erweist, verwenden Sie die manuelle Methode, indem Sie der Pfeilspitze (D) folgen, um den Bürsten/Pad-Halter (wie in **Abbildung 3** gezeigt) zu installieren.
7. Um den Bürsten/Pad-Halter automatisch zu entfernen, schalten Sie den Netzschalter (38) auf die "O"-Position. Halten Sie mit der Hand den Lenker, und drücken Sie das Gerät nach unten, bis das Führungsrad den Boden berührt und der Bürsten/Pad-Halter in der Luft hängt. Schalten Sie den Netzschalter (38) auf die "I"-Position, und drücken Sie den Sicherheitsschalter nach unten, damit sich die Bürste oder der Pad-Halter dreht, bis der Bürsten/Pad-Halter auf den Boden fällt.
8. Wenn sich Schritt Nr. 7 als zu schwierig erweist, verwenden Sie das manuelle Verfahren, indem Sie den Bürsten/Pad-Halter entgegen der normalen Drehrichtung drehen, er kann dann entfernt werden. (Wie in **Abbildung 3** dargestellt.)

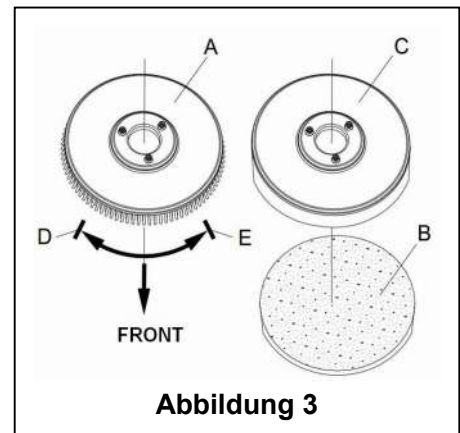


Abbildung 3

EINSTELLEN DER SAUGLEISTE

9. Installieren Sie die Saugleiste und drehen Sie sie mit dem Griff fest (16). Schließen Sie dann den Saugschlauch (11) an die Saugleiste an.
10. Passen Sie die Saugleiste durch den Einstellgriff (A) an (siehe **Abbildung 4**).

- 1) Wenn der mittlere Teil der hinteren Saugleiste, Abschnitt B, einen Abstand zum Boden hat oder der nach unten gerichtete Druck relativ schwach ist, passen Sie den Griff in Richtung gegen den Uhrzeigersinn an, bis die gesamte Länge der hinteren Saugleiste den Boden berührt. Die vordere Sauglippe sollte den Boden leicht berühren.
- 2) Wenn die beiden Enden der hinteren Sauglippe, Abschnitt C und D, einen Abstand zum Boden haben oder der nach unten gerichtete Druck relativ schwach ist, passen Sie den Griff in Richtung des Uhrzeigersinns an, bis die gesamte Länge der hinteren Sauglippe den Boden berührt. Die vordere Sauglippe sollte den Boden leicht berühren.

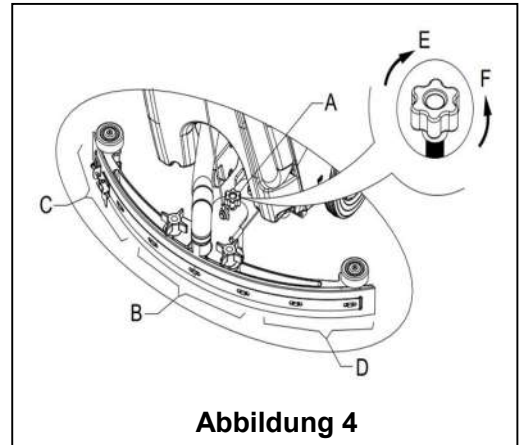


Abbildung 4

Füllung des Frischwassertanks



ACHTUNG!

Es dürfen nur nichtentflammare Reinigungsmittel mit geringer Schaumbildung verwendet werden. Diese Reinigungsmittel müssen für die Verwendung in Nassreinigern geeignet sein.

11. Öffnen Sie die Wasserzulauf-Abdeckung (27) und füllen Sie Wasser in den Frischwassertank. Überfüllen Sie den Tank nicht. Das Auffüllen bis zur Kante des Filterhalters des Wasserzulaufs ist ausreichend. Bei der Herstellung der Reinigungslösungen folgen Sie bitte den Verdünnungsverhältnissen, die der Hersteller angegeben hat. Die Wassertemperatur sollte 40 °C nicht überschreiten.

REGULIERUNG DES WASSERDURCHFLUSSES



WARNUNG!

Die Regulierung des Kugelventilhebels (A, **Abbildung 5**) darf nur durchgeführt werden, wenn der Netzschalter (38) auf der Position "O" steht.

12. Die Wasserdurchflussmenge kann durch den Kugelventilhebel (A, **Abbildung 5**), entsprechend der Wassermenge, angepasst werden, die zum Scheuern erforderlich ist.

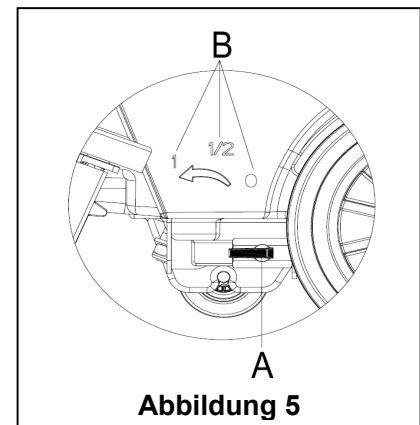


Abbildung 5

START UND STOPP DES GERÄTS

Inbetriebnahme des Geräts

1. Führen Sie die vorbereitenden Schritte, wie oben angegeben, durch.
2. Schließen Sie das Stromkabel (9) an eine entsprechende Stromversorgung an und drücken Sie den Netzschalter (38) auf die "I"-Position.
3. Verwenden Sie den Griff des Abstreifers (14), um ihn abzusenken.
4. Drücken Sie den Vakuum-Schalter (39) auf die "I"-Position.
5. Drücken Sie den Kontrollschalter für die Wasserdurchflussmenge (40) auf die "I"-Position. (Funktioniert gleichzeitig mit dem Sicherheitsschalter (1), um die Funktion des Magnetventils zu steuern.)
6. Halten Sie den Sicherheitsschalter (1) und schieben Sie das Gerät, um es zu bewegen. Die Bürste (29) beginnt sich zu drehen, und das Gerät beginnt seine Reinigungsarbeit.



VERWENDUNG: Die Methode, um das Gerät zu schieben. Eines der Gerätemerkmale ist die Installation von zwei Sicherheitsschaltern auf beiden Seiten des Lenkers. Jeder Sicherheitsschalter kann unabhängig vom anderen die Funktion der Bürste zu überwachen. Im Einsatz vereinfachen sie die Steuerung der Gerätefunktion.

Aus Erfahrung kann gesagt werden, dass die Methode, das Gerät zu bewegen, wie in der rechten Abbildung 6 dargestellt, geeigneter ist. Die Arbeitshaltung der Hände des Anwenders ist angenehmer und Arbeitsermüdung wird reduziert. Dem Anwender wird daher empfohlen, das Gerät auf diese Weise zu bewegen.



Abbildung 6

Ausschalten des Geräts

7. Wenn Sie die Gerätenutzung beendet haben, entfernen Sie zuerst den Bürsten/Pad-Halter (siehe Schritte im Abschnitt Montieren und Entfernen der Bürsten/Pad-Halterung).
8. Lassen Sie den Sicherheitsschalter (1) los, um den Bürsten/Pad-Halter und das Magnetventil auszuschalten.
9. Drücken Sie den Vakuumpumpen-Schalter (39) auf die "O"-Position. Die Vakuumpumpe verzögert die Abschaltung für 5 Sekunden, bevor die Funktion eingestellt wird.
10. Drücken Sie den Kontrollschalter für die Wasserdurchflussmenge (40) auf die "O"-Position, um das Magnetventil vollständig auszuschalten.
11. Drücken Sie den Netzschalter (38) auf die "O"-Position. Und trennen Sie das Stromkabel (9) von der Stromversorgung.
12. Verwenden Sie den Hebegriff der Saugleiste (14), um den Abstreifer anzuheben.
13. Greifen Sie den Lenker (2) und kippen Sie vorsichtig das Gerät zurück, bis das Führungsrad (B) den Boden berührt. Siehe **Abbildung 7**

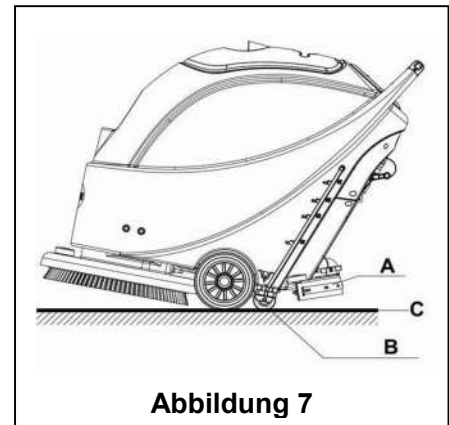


Abbildung 7

EINSATZ DES GERÄTS (SCHEUERN UND TROCKNEN)

1. Starten Sie das Gerät gemäß der obigen Beschreibung.
2. Halten Sie den Sicherheitsschalter (1) (wie in **Abbildung 6** dargestellt), schieben Sie das Gerät, um es zu bewegen, und beginnen Sie mit der Reinigung.
3. Wenn nötig, schalten Sie das Gerät aus, und stellen Sie den Regulierungsgriff des Abstreifers ein. (Siehe die Schritte zum Einstellen der Abstreiferposition)
4. Wenn nötig, schalten Sie das Gerät aus, und stellen Sie die Wasserdurchflussmenge mit dem Kugelventilhebel ein. (Siehe die Schritte zur Einstellung der Wasserdurchflussmenge.)



ACHTUNG!

Um eine Beschädigung des Bodens zu vermeiden, wenn das Gerät ohne Vorwärtsbewegung an einem Platz steht, schalten Sie den Netzschalter (38) aus.

TANK ENTLEEREN

Wenn der Schmutzwassertank voll ist, blockiert ein Schwimmer in der automatischen Abschalteneinrichtung (36) den Zufluss, der mit der Vakuumpumpe verbunden ist. Bei einer plötzlichen Erhöhung des Geräuschpegels der Vakuumpumpe kann davon ausgegangen werden, dass die Vakuumpumpe bereits überlastet wird und eine sofortige Ableitung des Abwassers erforderlich ist.

**ACHTUNG!**

Wenn sich die Vakuumpumpe plötzlich ausschaltet (z. B. weil das Gerät ruckartig bewegt wird, was zu einer Aktivierung des Schwimmers führt), und wenn eine Fortsetzung des Betriebs erforderlich ist, führen Sie bitte die folgenden Schritte aus: Drücken Sie die Netzschalter (38 und 39), um das Gerät und die Vakuumpumpe auszuschalten, und öffnen Sie die Schmutzwassertank-Abdeckung (25), um zu überprüfen, ob der Schwimmer im Schwimmer-Filter an die Wasseroberfläche zurückgekehrt ist. Dann schließen Sie die Schmutzwassertank-Abdeckung (25) und drücken die Netzschalter (38 und 39), um das Gerät und die Vakuumpumpe einzuschalten.

Wenn der Schmutzwassertank vollständig mit Abwasser gefüllt ist, führen Sie die folgenden Schritte aus, um ihn zu entleeren.

Entleeren des Schmutzwassertanks

1. Schalten Sie das Gerät aus.
2. Heben Sie mit dem Hebegriff der Sauglippe (14) den Abstreifer an.
3. Bewegen Sie das Gerät zu einem geeigneten Entsorgungsplatz.
4. Greifen Sie den Lenker (2) und kippen Sie vorsichtig das Gerät zurück, bis das Führungsrad den Boden berührt. (Ankoppeln des Geräts, siehe Maßnahmen im Abschnitt Anhalten des Geräts.)
5. Nehmen Sie den Ablaufschlauch vom Befestigungsclip, biegen Sie das obere Ende des Ablaufschlauchs (wie in **A, Abbildung 8**, dargestellt). Öffnen Sie dann die Abdeckung des Ablaufschlauchs, senken Sie den Ablaufschlauch auf ein niedriges Niveau oder auf den Boden, um das Wasser abzulassen. Alternativ können Sie den Ablaufschlauch in eine niedrige Position oder auf den Boden absenken, damit der Wasserablauf nach unten zeigt (wie in **B, Abbildung 8**, dargestellt). Drehen Sie dann die Abdeckung des Wasserablaufschlauchs auf, um das Abwasser aus dem Tank zu leiten. Reinigen Sie nach der vollständigen Entleerung den Schmutzwassertank mit sauberem Wasser.

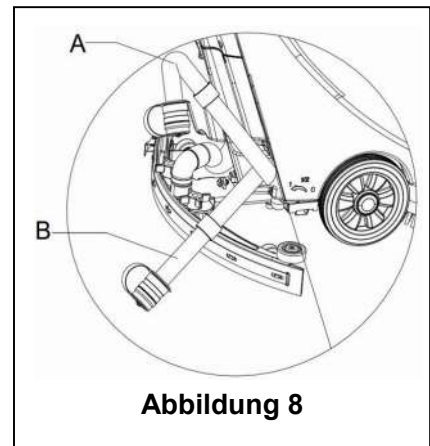


Abbildung 8

**ACHTUNG!**

Beim Ablassen des Abwassers muss das Vakuum-Rohr für Abfälle gefaltet oder abgesenkt werden (wie in Abbildung 8, A oder B dargestellt). Öffnen Sie dann den Deckel des Vakuum-Rohrs für Abfälle, um das Wasser abzulassen. Heben Sie den Ablauf des Vakuum-Rohrs für Abfälle nicht nach oben an, um das Wasser vertikal abzulassen. Damit vermeiden Sie, dass Abwasser auf den Anwender spritzt.

Entleeren des Frischwassertanks

6. Führen Sie die Schritte 1 bis 4. aus
7. Wie in **Abbildung 9** dargestellt, öffnen Sie den Deckel des Frischwassertanks (A) im Gegenuhrzeigersinn, und entleeren den Frischwassertank vollständig. Verwenden Sie sauberes Wasser, um das Innere des Frischwassertanks zu reinigen. Wenn der Arbeitsgang abgeschlossen ist, drehen Sie den Deckel des Frischwassertanks (A) fest im Uhrzeigersinn in Richtung B.

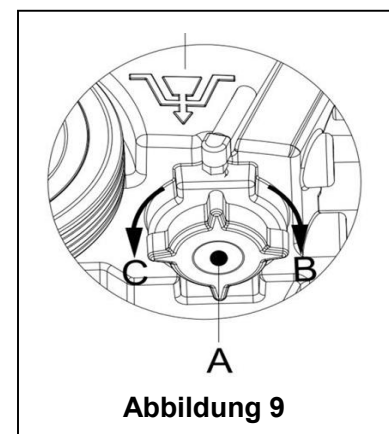


Abbildung 9

NACH DEM EINSATZ DES GERÄTS

Nach dem Einsatz und bevor Sie das Gerät verstauen, führen Sie die folgenden Schritte aus:

1. Folgen Sie den Anweisungen im vorgenannten Abschnitt über die Installation und Entfernung des Bürsten/Pad-Halters, und entfernen Sie den Bürsten/Pad-Halter.
2. Folgen Sie den Anweisungen in den entsprechenden Abschnitten, und entleeren Sie vollständig den Frischwassertank und den Schmutzwassertank.
3. Führen Sie die tägliche Wartung durch (siehe Abschnitt Wartung).

4. Lagern Sie das Gerät, einschließlich des Bürsten/Pad-Halters und Saugleiste, an einem sauberen und trockenen Ort. Die Saugleiste sollte angehoben oder abgenommen werden.

VOR DER ERSTEN VERWENDUNG

Nach der Verwendung für die ersten 9 Stunden überprüfen Sie bitte alle Teile, um sicherzustellen, dass sich nichts gelockert hat oder während des Betriebs beschädigt wurde, und überprüfen Sie, ob es irgendwelche sichtbaren Schäden oder Lecks gibt.

WARTUNG UND PFLEGE

Die Lebensdauer und die maximale Betriebssicherheit des Geräts werden durch die richtige und rechtzeitige Wartung und Pflege gewährleistet.

Die folgende Tabelle enthält einen allgemeinen Wartungsplan für das Gerät. Die Zeitabstände der Wartung werden zu einem großen Teil von den Arbeitsbedingungen des Geräts bestimmt. Diese Zeitintervalle sollten von den verantwortlichen Personen für die Wartung und Pflege formuliert werden.



WARNUNG!

Diese Verfahren sollten erst durchgeführt werden, nachdem das Gerät ausgeschaltet ist. Bevor Sie mit einer der Wartungsarbeiten beginnen, lesen Sie bitte sorgfältig die damit verbundenen Sicherheits-Abschnitte.

Alle Wartungsarbeiten, die im Plan aufgeführt sind oder alle zusätzlichen Wartungsarbeiten dürfen nur durch qualifiziertes Personal oder autorisierte Service-Zentren durchgeführt werden.

Diese Anleitung enthält nur die einfachsten und häufigsten Wartungsarbeiten.

Alle Wartungsarbeiten, die nicht in dieser Tabelle der geplanten Wartungsarbeiten aufgeführt sind, entnehmen Sie bitte der Wartungsanleitung des Service-Centers.

TABELLE DER PLANMÄSSIGEN WARTUNGSARBEITEN

Verfahren	Täglich, Gerät Nach der Benutzung	Wöchen- tlich	Alle 6 Monate	Jährlich
Abstreifer reinigen				
Bürsten/Pad-Halter reinigen				
Frischwassertank und Schwimmerfilter reinigen, Dichtungsband des Wassertanks überprüfen				
Abstreiferband überprüfen und wechseln				
Frischwasserfilter reinigen				
Vakuummotor-Filter reinigen				
Dichtheit von Schrauben und Muttern überprüfen			(1)	
Kohlebürste des Bürsten/Pad-Halter-Motors überprüfen und wechseln				(2)
Kohlebürste oder Vakuummotor überprüfen und wechseln				(2)

(1) Durchführung nach den ersten 9 Einsatzstunden.

(2) Diese Wartung muss von einem autorisierten VIPER-Service Center durchgeführt werden.

REINIGEN DES ABSTREIFERS



HINWEIS

Um die optimale Wirkung des Wasser-Vakuums zu gewährleisten, muss der Abstreifer sauber gehalten werden, und das Abstreiferband muss in gutem Zustand bleiben.



ACHTUNG!

Es wird empfohlen, bei der Reinigung des Abstreifers Schutzhandschuhe zu tragen, da dieser scharfe Fragmente enthalten kann.

1. Stellen Sie das Gerät auf eine ebene und glatte Oberfläche.
2. Drücken Sie den Netzschalter (38) auf die "O"-Position und schalten Sie das Gerät aus.

3. Lösen Sie die Feststellknöpfe (16) des Abstreifers; entfernen Sie den Anschluss für die Verbindung des Schmutzwasser-Vakuumrohrs zum Abstreifer, und entfernen Sie den Abstreifer.
4. Verwenden Sie den Hebegriff des Abstreifers (14), um den Tragrahmen des Abstreifers anzuheben.
5. Reinigen Sie den Abstreifer (**Abbildung 10**). Reinigen Sie insbesondere die Nut (**A, Abbildung 10**), und entfernen Sie Schmutz und Fragmente aus dem Vakuum-Rohr. Prüfen Sie, ob das vordere Abstreiferband (C) und das hintere Abstreiferband (D) intakt sind, und ob es gebrochenen Kanten und Risse gibt. Tauschen Sie sie, falls erforderlich, aus (siehe Schritte im folgenden Abschnitt).
6. Installieren Sie den Abstreifer in der umgekehrten Reihenfolge der oben genannten Schritte.

ÜBERPRÜFEN UND AUSTAUSCHEN DES ABSTREIFERBANDS

1. Folgen Sie den Anweisungen, die im Abschnitt Reinigen des Abstreifers aufgeführt sind (**Abbildung 10**).
2. Überprüfen Sie die Kante (**E, Abbildung 10**) des vorderen Abstreiferbands und die Kante (F) des hinteren Abstreiferbands (D). Sie sollten über die gesamte Länge auf der gleichen Ebene liegen. Passen Sie sonst ihre Höhen durch folgende Vorgehensweise an.
 - Lösen Sie die Klammer (G), um das hintere Abstreiferband (D) von der Halterung (M) zu lösen, um die Position des Abstreifers anzupassen. Arretieren Sie nach der Einstellung die Klammer wieder.
 - Lösen Sie die Schraube am Griff (I), um das vordere Abstreiferband anzupassen (C); ziehen Sie die Griffschraube nach der Einstellung wieder fest.
3. Prüfen Sie, ob das vordere Abstreiferband (C) und das hintere Abstreiferband (D) intakt sind, und ob es gebrochenen Kanten und Risse gibt. Falls erforderlich, wechseln Sie sie in der folgenden Art und Weise aus. Überprüfen Sie die vordere Kante des hinteren Abstreiferbands (J), ob es abgenutzt ist. Wenn es abgenutzt ist, kann es anders herum installiert werden (die Oberkante muss intakt sein). Wenn die obere Kante ebenfalls abgenutzt ist, wechseln Sie das Band wie folgt aus:
 - Öffnen Sie die Klammer (G), um das Druckblatt von der Halterung (M) zu lösen, entfernen Sie die Klammerschiene (K), und wechseln Sie dann das hintere Abstreiferband (D) aus oder drehen Sie es anders herum. Installieren Sie das hintere Abstreiferband in der umgekehrten Reihenfolge.
 - Lösen Sie die Griffschraube (I) und entfernen Sie die Frontklammerschiene (L), und wechseln Sie dann den vorderen Abstreifer (C). Installieren Sie das vordere Abstreiferband in der umgekehrten Reihenfolge. Passen Sie das Niveau des hinteren und vorderen Abstreiferbands nach Austausch des Abstreiferbands (oder der umgekehrten Installation) an, indem Sie den oben beschriebenen Schritten folgen.
4. Verbinden Sie das Vakuum-Rohr (11) mit dem Abstreifer.
5. Installieren Sie den Abstreifer und verwenden Sie den Knopf (16), um ihn festzuziehen, und dann schließen Sie das Vakuum-Rohr an den Abstreifer an.
6. Falls nötig, stellen Sie den Abstreifer durch das Einstellrad (20) ein (siehe Verfahren zum Einstellen der Abstreiferposition).

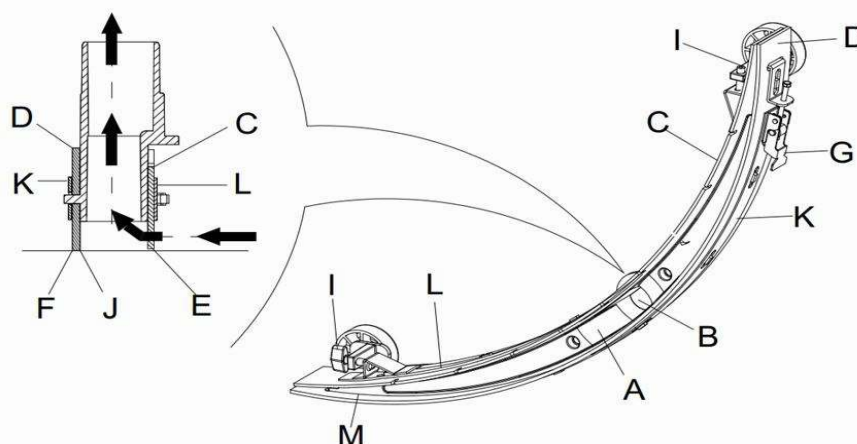


Abbildung 10

REINIGEN VON BÜRSTE/POLIERPAD



ACHTUNG!

Es wird empfohlen, bei der Reinigung des Bürsten/Pad-Halters Schutzhandschuhe zu tragen, da scharfe Fragmente enthalten sein können.

1. Entfernen Sie den Bürsten/Pad-Halter in der Art und Weise, wie in den vorangegangenen Abschnitten beschrieben ist.
2. Reinigen Sie der Bürsten/Pad-Halter mit Wasser und Reinigungsmittel.
3. Überprüfen Sie die Vollständigkeit und Abnutzung der Borsten auf der Bürste und, falls erforderlich, wechseln Sie die Bürste aus.
4. Überprüfen Sie den Abnutzungszustand des Pad-Halters und, falls erforderlich, wechseln Sie den Pad-Halter aus.

REINIGEN DES SCHMUTZWSSERTANKS UND DES SCHWIMM FILTERSIEBS

1. Bewegen Sie das Gerät zu einem geeigneten Entsorgungsplatz.
2. Drücken Sie den Netzschalter (38) auf die "O"-Position und schalten Sie das Gerät aus.
3. Öffnen Sie die Abdeckung des Schmutzwassertanks (**A, Abbildung 11**), und entnehmen Sie den Schwimmer (36) aus dem Schmutzwassertank.
4. Verwenden Sie klares Wasser zur Reinigung des Tankdeckels (A), der Tanks (B und C) und der Schwimmer-Filterfassung (E). Lassen Sie durch das Schmutzwasserrohr (15) das gesamte Wasser aus dem Wassertank ablaufen.
5. Folgen Sie, falls nötig, den Symbolen "Öffnen" und "Schließen", wie in **Abbildung 11** dargestellt, öffnen Sie den unteren Deckel (F) des Schwimmer-Filters und reinigen den Schwimmer (D), die Schwimmer-Filterfassung (E) und den Filter-Schwamm (I). Fixieren Sie nach der Reinigung den Schwimmer auf der Schwimmer-Filterfassung (E), und richten Sie die Markierungsnut (L) des unteren Deckels (F) des Schwimmer-Filters nach der Markierungsnut (L) der Schwimmer-Filterfassung (E) aus. Drehen Sie den unteren Deckel (F) des Schwimmer-Filters fest und fixieren Sie den Filter-Schwamm (I) auf der Schwimmer-Filterfassung (E) und dann auf dem Vakuum-Rohr (M).
6. Überprüfen Sie die Zuverlässigkeit des Dichtrings (G) der Wassertankabdeckung.



HINWEIS

Der Dichtungsring (G) des Wassertanks dient dazu, im Wassertank ein Vakuum zu erzeugen. Er muss vollständig abgedichtet sein, um das Abwasser effektiv vom Boden absaugen zu können.

Falls erforderlich, sollte der Dichtungsring des Wassertanks (G) aus der Nut (H) entnommen und ausgetauscht werden. Beim Einsatz eines neuen Wassertank-Dichtrings, wie in **Abbildung 11** unten dargestellt, installieren Sie den Anschluss im mittleren Bereich des hinteren Teils.

7. Prüfen Sie, ob die aufnehmende Oberfläche des Dichtrings (G) intakt ist und ausreichend abdichtet.
8. Schließen Sie die Abdeckung des Schmutzwassertanks (A).

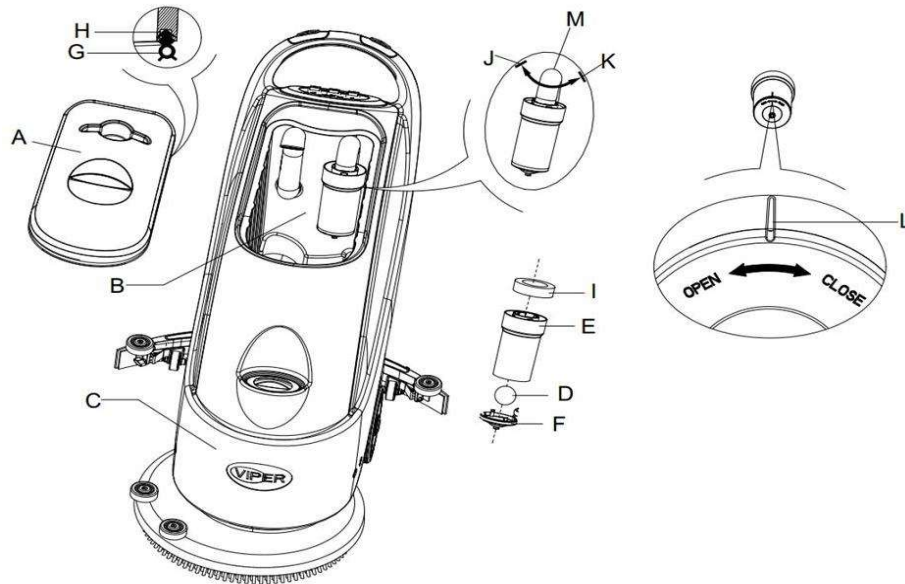


Abbildung 11

REINIGEN DES FRISCHWSSERTANKS

1. Lassen Sie das Wasser aus dem Frischwassertank in der Art und Weise ab, wie in den entsprechenden Abschnitten beschrieben.
2. Stellen Sie das Gerät auf eine ebene und glatte Oberfläche.
3. Drücken Sie den Netzschalter (38) auf die "O"-Position und schalten Sie das Gerät aus.
4. Drehen Sie das Kugelventil des Ablasses zu (A, **Abbildung 12**) (es befindet sich an der Unterseite des Geräts, hinter den Rädern). Position B Kugelventil geöffnet und Position C Kugelventil geschlossen.
5. Entfernen Sie den transparenten Deckel (D) und dann den Filter (E), und installieren Sie ihn nach der Reinigung auf der Filterabdeckung (F).



HINWEIS

Der Filter (E) muss genau auf die Position der Ausbuchtung (G) gesetzt werden.

6. Öffnen Sie das Kugelventil des Ablasses (A).

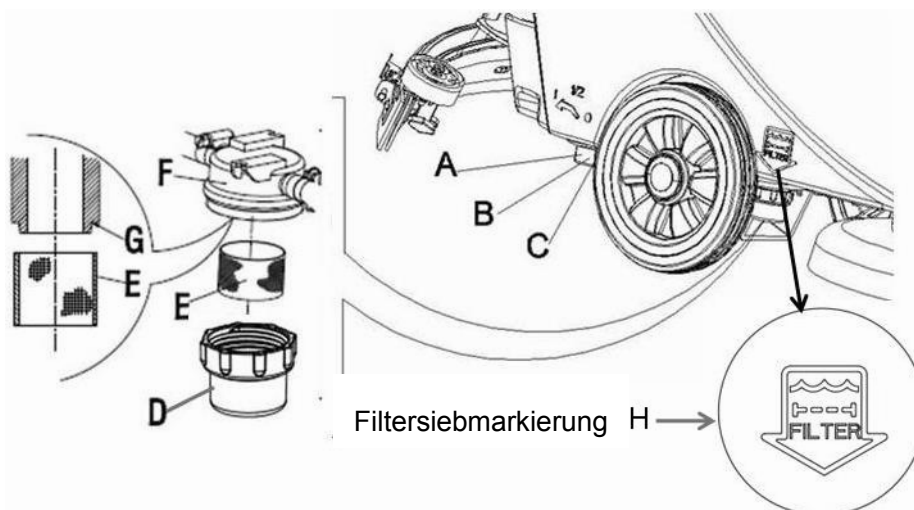
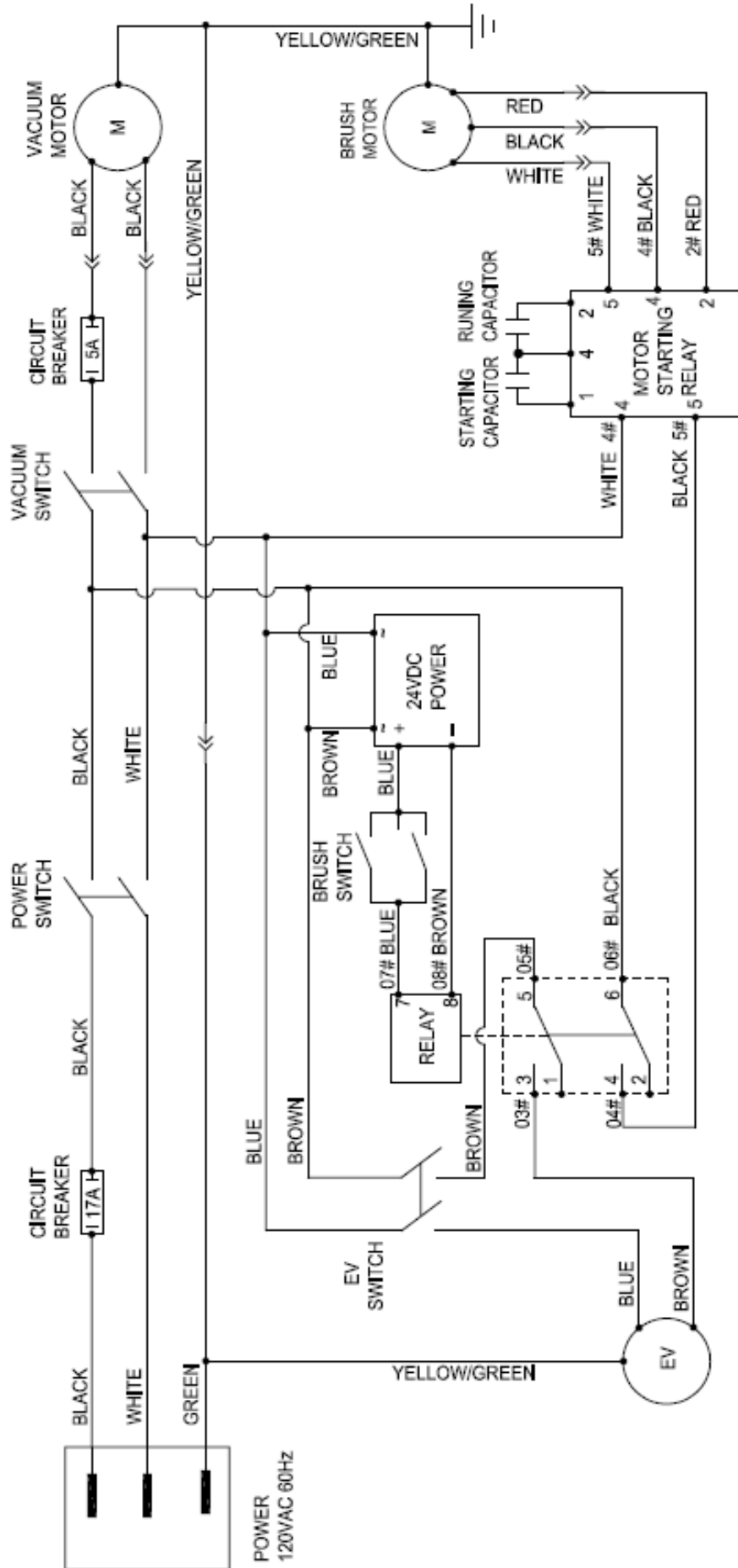


Abbildung 12

SCHALTKREISDIAGRAMM FÜR DEN AS430C UND AS510C



FEHLERBEHEBUNG

Defekt	Mögliche Ursache	Lösung
Die Maschine lässt sich nicht betreiben	Die Leitungen sind nicht korrekt oder schlecht angeschlossen	Leitungen überprüfen oder Viper-Händler kontaktieren
	Schlechter Bürstenmotor	Viper-Händler kontaktieren
	Kohlebürste verschlissen	Viper-Händler kontaktieren
Vakuummotor lässt sich nicht betreiben	Die Leitungen sind nicht korrekt oder schlecht angeschlossen	Leitungen überprüfen oder Viper-Händler kontaktieren
	Schlechter Vakuummotor	Viper-Händler kontaktieren
	Kohlebürste verschlissen	Viper-Händler kontaktieren
Geringer oder kein Lösungsausstrom	Schlechter Kugelhahn	Viper-Händler kontaktieren
	Schlechter Lösungshahn	Viper-Händler kontaktieren
	Der Kugelhahn muss neu ausgerichtet werden	Bei horizontalem Kugelhahn ist ein maximaler Lösungsausstrom möglich
	Filter verschmutzt	Filter reinigen
Unzureichendes Vakuum	Der Schmutzwassertank ist voll.	Schmutzwassertank leeren
	Vakuumschlauch für das Schmutzwasser sowie Abstreifer nicht ordnungsgemäß angeschlossen	Vakuumschlauch für das Schmutzwasser sowie Abstreifer anschließen
	Schwimmerfilter oder Einlass verstopft	Schwimmerfilter reinigen und Schwimmerkugel überprüfen
	Abstreifer verschmutzt oder Saugleiste verschlissen bzw. beschädigt	Abstreifer reinigen und überprüfen
	Schmutzwassertankdeckel nicht korrekt aufgesetzt oder Dichtung des Wassertanks beschädigt	Den Deckel korrekt aufsetzen oder die Wassertankdichtung austauschen
Abstreifer hinterlässt Spuren	Unter der Saugleiste haben sich Verschmutzungen angesammelt	Verschmutzungen entfernen
	Saugleiste bereits verschlissen, rissig oder spröde	Saugleiste austauschen
	Abstreifer nicht gerade ausgerichtet	Gerade ausrichten

GERÄTEENTSORGUNG

Verwenden Sie geeignete Zerkleinerungsanlagen, um dieses Gerät zu entsorgen.

Bevor Sie dieses Gerät entsorgen, trennen und entnehmen Sie bitte die folgenden Materialien, die nach einschlägigen Gesetzen und Verordnungen, richtig verarbeitet werden müssen.

- Bürsten/Pad-Halter
- Kunststoff-Schläuche und Kunststoffteile
- Elektrische und elektronische Komponenten (*)

(*): Wenden Sie sich bitte an das nächstgelegene VIPER-Center (vor allem, wenn die Entsorgung von elektrischen und elektronischen Komponenten erforderlich ist).

TABLE DES MATIÈRES

INTRODUCTION	31
CONTENU DU MANUEL	31
BUT	31
PIÈCES DÉTACHÉES ET MAINTENANCE	31
MODIFICATIONS ET AMÉLIORATIONS	31
CHAMP D'APPLICATION	31
DÉBALLAGE/TRANSPORT	31
GUIDE DE SÉCURITÉ D'ORDRE GÉNÉRAL	32
DONNÉES TECHNIQUES.....	33
DESCRIPTION DE LA MACHINE	33
STRUCTURE DE LA MACHINE.....	33
PANNEAU DE COMMANDE	34
GUIDE D'UTILISATION	35
AVANT LE DÉMARRAGE DE LA MACHINE.....	35
INSTALLER ET RETIRER LE SUPPORT DE BROSSE/PLATEAU PORTE DISQUE	35
RÉGLER L'INCLINAISON DE LA RACLETTE	36
RÉGULER LE DÉBIT D'EAU.....	36
DÉMARRAGE ET ARRÊT DE LA MACHINE	36
FONCTIONNEMENT DE LA MACHINE (NETTOYAGE ET SÉCHAGE).....	37
VIDER LE RÉSERVOIR	37
APRÈS AVOIR UTILISÉ LA MACHINE	38
UTILISATION POUR LA PREMIÈRE FOIS.....	38
ENTRETIEN ET SOIN.....	38
TABLEAU D'ENTRETIEN PLANIFIÉ.....	39
NETTOYAGE DE LA RACLETTE	39
VÉRIFICATION ET REMPLACEMENT DES BAVETTES DE RACLETTE.....	40
NETTOYER AVEC LA BROSSE/LE PLATEAU PORTE DISQUE	40
NETTOYAGE DU RÉSERVOIR D'EAU ET DU FLOTTEUR.....	41
NETTOYER LE FILTRE DE SOLUTION	41
FIGURE DU CIRCUIT AS430C ET AS510C	43
DÉPANNAGE	43
MISE AU REBUT DE LA MACHINE.....	44

INTRODUCTION



REMARQUE

Les chiffres entre parenthèses renvoient aux composants correspondants indiqués dans la section Description de la Machine.

CONTENU DU MANUEL

Ce manuel est destiné à fournir à l'opérateur les informations nécessaires pour utiliser cette machine correctement et en toute sécurité. Ces informations comprennent les données techniques, la sécurité, le fonctionnement, le stockage, l'entretien et la mise au rebut de la machine. L'opérateur et les techniciens disposant des qualifications correspondantes doivent étudier attentivement ce manuel avant de commencer à utiliser et à entretenir cette machine. Veuillez contacter VIPER pour toute explication sur ce manuel ou si des informations complémentaires sont nécessaires.

BUT

Le but de ce manuel est de permettre à l'opérateur et aux techniciens qualifiés d'effectuer la maintenance de cette machine.

L'opérateur ne doit pas effectuer les opérations devant uniquement être effectuées par les techniciens. VIPER ne sera pas responsable des dommages causés par la violation de cette règle.

PIÈCES DÉTACHÉES ET MAINTENANCE

Toutes les procédures nécessaires de mise en service, de maintenance et de réparation doivent être effectuées par du personnel qualifié ou par les centres de service de VIPER

Seules les pièces détachées et les accessoires autorisés doivent être utilisés.

Si une réparation ou une commande de pièces détachées ou d'accessoires sont nécessaires, veuillez contacter VIPER avec le numéro de modèle de la machine et les numéros de série.

MODIFICATIONS ET AMÉLIORATIONS

VIPER effectue des améliorations continues sur ses produits. VIPER se réserve le droit de modifier et d'améliorer les machines ainsi que le droit de décider de lui-même si les avantages apportés par les modifications sont applicables aux produits déjà vendus. Tous les changements ou accessoires supplémentaires doivent être acceptés par VIPER et doivent être effectués par l'entreprise.

CHAMP D'APPLICATION

Cette autolaveuse est utilisée dans un environnement domestique et industriel. Elle est adaptée au nettoyage des sols lisses et durs (lavage et collecte des eaux usées). Elle doit être utilisée par des opérateurs qualifiés et dans un environnement sûr. Cette autolaveuse ne peut pas être utilisée pour nettoyer à l'extérieur, sur les tapis et sur des sols relativement rugueux.

DÉBALLAGE/TRANSPORT

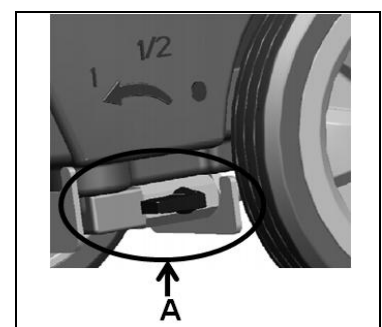
Veuillez suivre attentivement les instructions sur l'emballage lors du déballage.

Lors de la livraison, veuillez contrôler l'emballage et la machine pour vous assurer qu'aucun dommage ne s'est produit pendant le transport. En cas de dommage apparent, veuillez conserver le formulaire original et demander au transporteur de confirmer et de remplir une liste de dommages pour indemnisation.



— ATTENTION

Lors du déballage et de déchargement, ou pendant le déplacement de la machine sur un sol avec des marches, veuillez vous assurer d'éviter de frapper l'interrupteur marche/arrêt régulant le débit d'eau, Partie A de la figure de droite.



Vérifiez si la machine est équipée des éléments suivants :

Documents techniques

— Manuel utilisateur Autolaveuse

GUIDE DE SÉCURITÉ D'ORDRE GÉNÉRAL

Les points suivants sont des avertissements et des avis spéciaux concernant les dommages potentiels (physiques et matériels):



AVERTISSEMENT !

- La machine ne doit être utilisée que sous l'autorité de ce manuel. Seuls les accessoires autorisés par VIPER doivent être utilisés.
- Cette machine doit uniquement être utilisée par du personnel dûment formé ou autorisé. Les enfants ou les personnes non qualifiées ne doivent pas utiliser cette machine.
- Quand vous travaillez à proximité de pièces électriques, veuillez ne pas porter de bijoux. Veuillez prendre toutes les précautions pour éviter que les cheveux, les bijoux et les vêtements amples ne se prennent dans les pièces en mouvement de la machine.
- Veuillez ne pas utiliser cette machine dans des endroits particulièrement sales. Ne lavez pas cette machine directement avec de l'eau. Ne laissez pas cette machine entrer en contact avec des liquides corrosifs.
- La température de stockage et de fonctionnement de la machine doit être comprise entre 0 et 40 °C.
- L'humidité de l'air doit être comprise entre 30% et 105%.
- Veuillez ne pas utiliser la machine sur une pente présentant une inclinaison de plus de 2 %.
- En cas d'incendie, veuillez utiliser des extincteurs à poudre. N'utilisez pas d'extincteurs à eau.
- Une attention particulière doit être prêtée quand la machine est transportée par une température inférieure à 0°C. Le réservoir d'eau et l'eau dans les tuyaux peut geler et causer de graves dommages à la machine.
- Utilisez les brosses et les patins fournis avec la machine et celles indiquées dans le Manuel utilisateur. L'utilisation d'autres brosses ou patins peut réduire la sécurité.
- En cas de dysfonctionnement de la machine, veuillez vous assurer qu'il n'est pas causé par un manque d'entretien. S'il est causé par d'autres facteurs, veuillez contacter le personnel autorisé ou le service après-vente.
- S'il est confirmé que les pièces de rechange doivent être remplacées, veuillez obtenir les pièces d'origine provenant de revendeurs ou d'agents autorisés.
- Afin d'assurer le fonctionnement correct et en toute sécurité de la machine, veuillez laisser le personnel autorisé ou le centre de service assurer la maintenance planifiée en fonction du calendrier d'entretien dans les parties correspondantes de ce manuel.
- Cette machine doit être correctement mise au rebut, car elle peut contenir des éléments toxiques et dangereux et ces éléments doivent être jetés dans des centres spéciaux, conformément aux lois et règlements applicables (veuillez consulter la partie mise au rebut de la machine).

DONNÉES TECHNIQUES

Modèle	AS430C	AS510C
Hauteur de la machine	980 mm	
Capacité du réservoir de solution	50 litres	
Capacité du réservoir de récupération	50 litres	
Diamètre de la roue de transport	200 mm	
Diamètre de la roue de guidage	63.5 mm	
Puissance moteur du système d'aspiration	400 W	
Pente maximale en fonctionnement	2 % (Maxi)	
Niveau de pression acoustique sur le poste de travail	72 dB(A) ±3 dB(A)	
Longueur du câble	20 m	
Dépression	1200 mm H ₂ O	
Largeur de travail	430 mm	510 mm
Largeur de la raclette	730 mm	790 mm
longueur maximale de la machine	1060 mm	1100mm
Largeur de la machine sans raclette	480 mm	540 mm
Diamètre de la brosse	430 mm	510mm
Poids avec réservoirs vides	70 kg	74 kg
Poids brut de la machine prête à l'emploi	120 kg	124kg
Puissance du moteur de la brosse	750 W	
Vitesse de la brosse	150 tr/min	
Pression maximale brosse/support du patin	32 kg (Maxi)	35 kg (Maxi)
Dimensions de l'emballage (L x l x H)	1200 x 610 x 1170 mm	

DESCRIPTION DE LA MACHINE**STRUCTURE DE LA MACHINE**

- | | |
|--|--|
| 1. Interrupteur de sécurité | 20. Molette de réglage de la raclette |
| 2. Guidon | 21. Cadre de support arrière de la raclette |
| 3. Panneau de commande | 22. Cadre de support avant de la raclette |
| 4. Plaque de numéro de série/Données techniques/Certificat de conformité | 23. Porte gobelet |
| 5. Couvercle de commande | 24. Poignée du couvercle du réservoir de récupération |
| 6. N/A | 25. Couvercle du réservoir de récupération |
| 7. N/A | 26. Corps du réservoir |
| 8. Bouton de réinitialisation | 27. Ouverture pour le remplissage d'eau |
| 9. Câble d'alimentation | 28. Carter brosse |
| 10. Couvercle de la batterie | 29. Brosse/plateau portedisque |
| 11. Flexible d'aspiration | 30. Moteur d'aspiration |
| 12. Câble de relevage de la raclette | 31. Moteur de la brosse |
| 13. N/A | 32. Roue de 20,32cm |
| 14. Poignée de relevage de la raclette | 33. N/A |
| 15. Tuyau de vidange | 34. Tube d'aspiration |
| 16. Manette de la raclette | 35. Boîtier électrique |
| 17. Lame de maintien de la raclette | 36. Filtre à flotteur |
| 18. Bavetteracleuse | 37. Tube de niveau d'eau (indique la quantité d'eau dans le réservoir de solution) |
| 19. Cadre de support de la raclette | |

SCHÉMAS DE LA STRUCTURE DE LA MACHINE

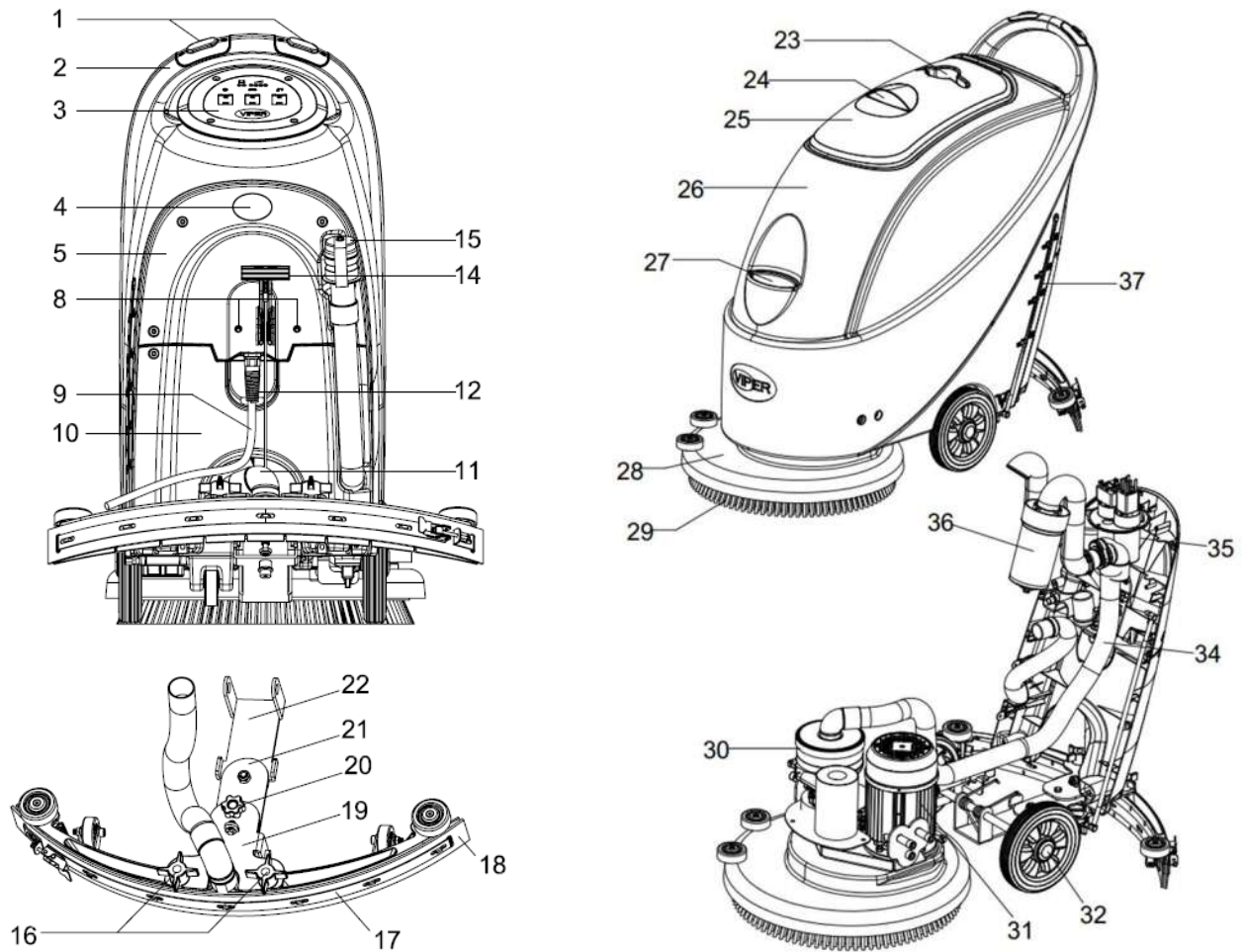


Figure 1

PANNEAU DE COMMANDE (Figure 2)

- 38. Interrupteur marche-arrêt
- 39. Interrupteur de l'aspiration
- 40. Interrupteur de l'électrovanne

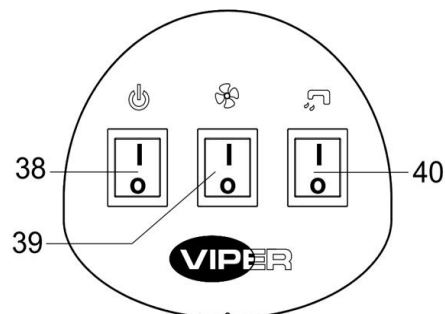


Figure 2

GUIDE D'UTILISATION



AVERTISSEMENT

Des signes indicatifs sont collés sur certaines parties de la machine :

- DANGER
- AVERTISSEMENT
- ATTENTION
- CONSULTATION

Lors de la lecture de ce manuel, l'opérateur doit prêter une attention particulière aux symboles de ces signes.

En aucun cas ces signes ne doivent être recouverts. S'ils sont endommagés, veuillez les remplacer immédiatement.

AVANT LE DÉMARRAGE DE LA MACHINE

INSTALLER ET RETIRER LE SUPPORT DE BROSSE/PLATEAU PORTE DISQUE



REMARQUE

Selon le type de sol à nettoyer, la machine peut être équipée d'une brosse (Figure 3, A) ou d'un support de disque de nettoyage (Figure 3, B et C).



ATTENTION !

Lors de l'installation ou du retrait manuels de la brosse/du support de patin, vérifiez en premier lieu que tous les interrupteurs sont en position arrêt et relevez la raclette du sol, seulement après quoi le support de brosse ou le plateau porte disque peuvent être manipulés. D'autre part, veuillez mettre des gants de protection pour éviter d'être coupé par des fragments.

1. (Uniquement applicable sur **AS430C** et **AS510C**) : assurez-vous que le câble d'alimentation (9) coupant l'alimentation électrique et l'interrupteur (38) est en position débranchée (**O**).
2. Appuyez sur le guidon (2) pour incliner la machine vers l'arrière (26).
3. Placez la brosse (A) ou le plateau porte disque (B - C) selon le cas.
4. Utilisez le guidon (2) pour approcher le carter de la brosse (26) afin qu'il entre en contact avec la brosse ou le plateau porte disque.
5. Pour installer automatiquement la brosse/plateau porte disque, placez l'interrupteur d'alimentation (38) sur la position "I" et appuyez sur l'interrupteur de sécurité. Pousser doucement la machine vers l'avant afin de permettre à la roue de la courroie au fond du corps du réservoir de s'aligner avec la brosse ou le plateau porte disque qui peut ensuite être installé. Puis relâchez l'interrupteur de sécurité. Si nécessaire, répétez cette procédure jusqu'à ce que la brosse/le plateau porte disque soit installé.
6. Si l'étape 5 ci-dessus s'avère difficile, utilisez la méthode manuelle en suivant la flèche (D) pour installer la brosse/le plateau porte disque (comme indiqué dans la **Figure 3**).
7. Pour retirer automatiquement la brosse/le support du patin, tournez l'interrupteur d'alimentation (38) jusqu'à la position "O". Tenez le guidon avec la main puis appuyez sur la machine vers le bas jusqu'à ce que la roue de guidage touche le sol et que la brosse/le plateau porte disque soit suspendu dans l'air. Mettez l'interrupteur d'alimentation (38) sur la position "I" et appuyez sur l'interrupteur de sécurité pour laisser la brosse ou le plateau porte disque tourner jusqu'à ce que la brosse/le plateau tombe au sol.
8. Si l'étape n° 7 ci-dessus s'avère difficile, utilisez la méthode manuelle en tournant la brosse/le plateau porte disque dans la direction opposée au sens normal de rotation, il peut alors être retiré. (comme indiqué dans la **Figure 3**)

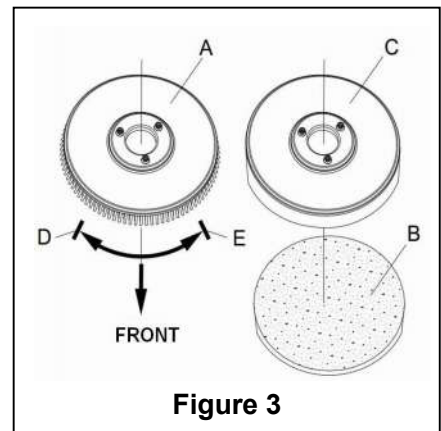


Figure 3

RÉGLER L'INCLINAISON DE LA RACLETTE

9. Installez la raclette et serrez-la bien avec la manette (16). Puis raccordez le flexible d'aspiration (11) à la raclette.
10. Réglez la raclette avec la molette de réglage (A) de la raclette (voir **Figure 4**).
 - 1) Si la partie médiane de la bande arrière de la raclette, section B, présente un écart avec le sol ou si la pression descendante est relativement légère, réglez la poignée dans le sens inverse des aiguilles d'une montre jusqu'à ce que toute la bavette arrière de la raclette soit bien en contact avec le sol. La bavette avant de la raclette doit légèrement toucher le sol.
 - 2) Si les deux extrémités de la bavette arrière de la raclette, sections C et D, présentent un écart avec le sol ou si la pression descendante est relativement légère, réglez la molette dans le sens des aiguilles d'une montre jusqu'à ce que toute la bavette arrière de la raclette soit bien en contact avec le sol. La bavette avant de la raclette doit légèrement toucher le sol.

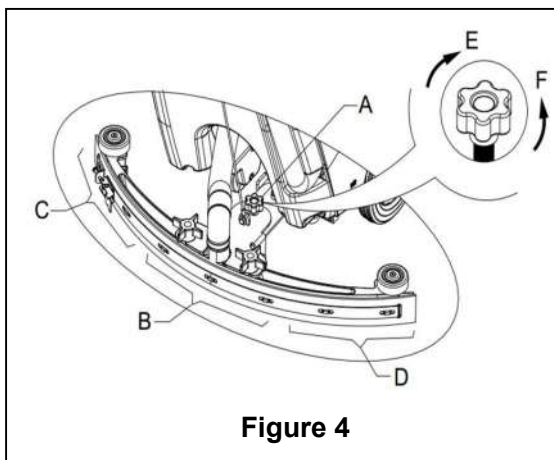


Figure 4

Remplir le réservoir de solution



ATTENTION !

Seuls des détergents non-moussants ou peu moussants et ininflammables doivent être utilisés. Ces détergents doivent être prévus pour être utilisés avec une autolaveuse.

11. Ouvrez le couvercle de l'arrivée d'eau (27) et ajoutez de l'eau dans le réservoir de solution. Ne remplissez pas trop le réservoir. Remplir jusqu'à proximité du bord du porte-filtre de l'arrivée d'eau est suffisant. Lors de la préparation des solutions de nettoyage, veuillez suivre les taux de dilution fournis par le fabricant de produits chimiques. La température de l'eau ne doit pas dépasser 40 °C.

RÉGULER LE DÉBIT D'EAU



AVERTISSEMENT !

Le réglage du robinet d'eau (A, Figure 5) doit être effectuée si l'interrupteur d'alimentation (38) est en position "O".

12. Le réglage du débit d'eau peut être effectué grâce au robinet (A, Figure 5) en fonction de la nature des sols à laver (dépendant de l'état de salissures et de la porosité des sols).

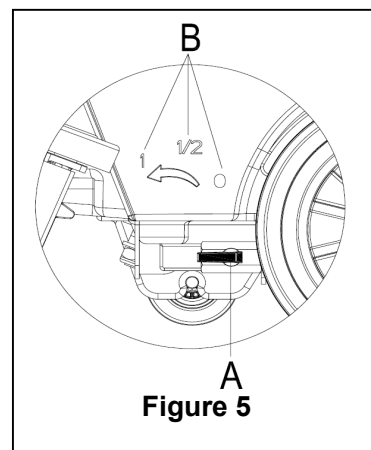


Figure 5

DÉMARRAGE ET ARRÊT DE LA MACHINE

Démarrer la machine

1. Suivez les étapes préparatoires comme indiqué ci-dessus.
2. Branchez le câble d'alimentation (9) à une source électrique de tension correspondante et appuyez sur l'interrupteur marche/arrêt (38) en position "I".
3. Utilisez la poignée de la raclette (14) pour abaisser la raclette.
4. Appuyez sur l'interrupteur d'aspiration (39) en position "I".
5. Appuyez sur l'interrupteur de l'électrovanne (40) en position "I". (Travaillez en même temps avec l'interrupteur de sécurité (1) pour contrôler le fonctionnement de l'électrovanne.)
6. Maintenez l'interrupteur de sécurité (1) et poussez pour déplacer la machine. La brosse (29) commence à tourner et l'appareil commence son travail de nettoyage.



CONSULTATION : Comment pousser la machine
 L'une des caractéristiques de la machine est l'installation de deux interrupteurs de sécurité sur les deux côtés du guidon. Chaque interrupteur de sécurité est capable de commander indépendamment le fonctionnement de la brosse. En utilisation, cela facilite le contrôle du fonctionnement de la machine. Par expérience, la méthode pour déplacer la machine indiquée sur la Figure 6 à droite est plus appropriée, les utilisateurs se sentent plus à l'aise avec les mains, elle réduit également la fatigue liée au travail. Il est donc recommandé de déplacer la machine de cette façon.

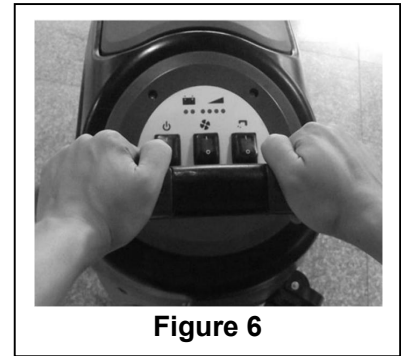


Figure 6

Éteindre la machine

7. Quand vous avez fini d'utiliser la machine, retirez d'abord la brosse/le plateau porte disque (voir les étapes concernant l'installation et le retrait de la brosse/du support du patin)
8. Relâchez l'interrupteur de sécurité (1) pour éteindre la brosse/le plateau porte disque et l'électrovanne.
9. Appuyez sur l'interrupteur de la pompe d'aspiration (39) sur la position "O" et la pompe d'aspiration s'arrête de fonctionner après une temporisation de 5 secondes.
10. Appuyez sur l'interrupteur de l'électrovanne(40) sur la position "O" pour arrêter complètement le fonctionnement de l'électrovanne.
11. Appuyez sur l'interrupteur d'alimentation (38) sur la position "O". Et débranchez le câble d'alimentation (9) de la source électrique.
12. Utilisez la poignée de levage de la raclette (14) pour soulever la raclette.
13. Saisissez le guidon (2) et inclinez légèrement la machine vers l'arrière jusqu'à ce que la roue de guidage (B) touche le sol. Voir Figure 7.

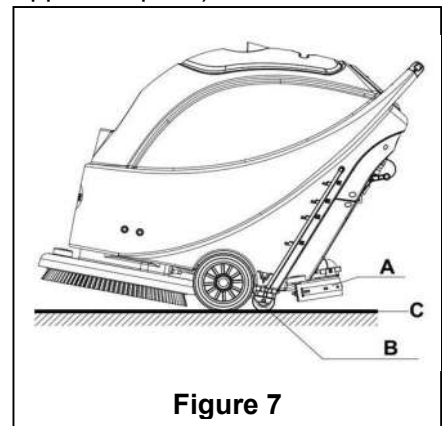


Figure 7

FONCTIONNEMENT DE LA MACHINE (NETTOYAGE ET SÉCHAGE)

1. Démarrez la machine selon la description ci-dessus.
2. Maintenez l'interrupteur de sécurité (1) (selon la manière indiquée dans la Figure 6), appuyez pour déplacer la machine et commencez le travail de nettoyage.
3. Si nécessaire, éteignez la machine et réglez la poignée de régulation de la raclette. (Consultez les étapes de réglage d'inclinaison de la raclette)
4. Si nécessaire, éteignez la machine et réglez le volume du débit d'eau avec le robinet quart de tour. (Consultez les étapes de réglage du volume du débit d'eau.)



ATTENTION !

Afin d'éviter d'endommager le sol, quand la machine reste à un endroit sans bouger, veuillez mettre l'interrupteur d'alimentation à l'arrêt (38).

VIDER LE RÉSERVOIR

Quand le réservoir de récupération est plein, un flotteur dans le dispositif d'arrêt automatique à flotteur (36) bloque l'admission raccordée au moteur d'aspiration. Du fait de l'augmentation soudaine du bruit de la pompe d'aspiration, on peut considérer que la pompe d'aspiration est déjà en surcharge. Une vidange immédiate de l'eau usée est nécessaire.



ATTENTION !

Si la pompe d'aspiration est brusquement éteinte (par exemple parce que la machine est déplacée soudainement suite à une activation du flotteur), et si une reprise du fonctionnement est nécessaire, veuillez effectuer les étapes suivantes : appuyez sur l'interrupteur d'alimentation (38 et 39) pour couper l'alimentation et éteindre le moteur d'aspiration et ouvrez le couvercle du réservoir de récupération (25) pour vérifier si le flotteur du filtre à flotteur est retourné à la surface de l'eau. Puis fermez le couvercle du réservoir de récupération (25) et appuyez sur l'interrupteur d'alimentation (38 et 39) pour allumer l'appareil et le moteur d'aspiration.

Quand le réservoir de récupération est entièrement rempli d'eau usée, effectuez les étapes suivantes pour le vidanger complètement.

Vider le réservoir de récupération

1. Éteignez la machine.
2. En utilisant la poignée de la raclette (14), soulevez la raclette.
3. Déplacez la machine vers un lieu de vidange dédié.
4. Saisissez le guidon (2) et inclinez légèrement la machine vers l'arrière jusqu'à ce que la roue de guidage touche le sol. (Pour arrimer la machine, veuillez consulter les procédures de la partie arrêt de la machine.)
5. Retirez le tuyau de vidange du clip de fixation, pliez l'extrémité supérieure du tuyau de vidange (comme indiqué en **A, Figure 8**) puis ouvrez le bouchon du tuyau de vidange et abaissez le tuyau de vidange en position basse ou au sol pour vidanger l'eau. Vous pouvez également placer directement le tuyau de vidange en position basse ou au sol pour que la sortie d'eau soit orientée vers le bas (comme indiqué en **B, Figure 8**) puis tournez pour ouvrir le bouchon de vidange d'eau afin d'évacuer les eaux usées du réservoir. Une fois la vidange effectuée, utilisez de l'eau propre pour nettoyer l'intérieur du réservoir de récupération.

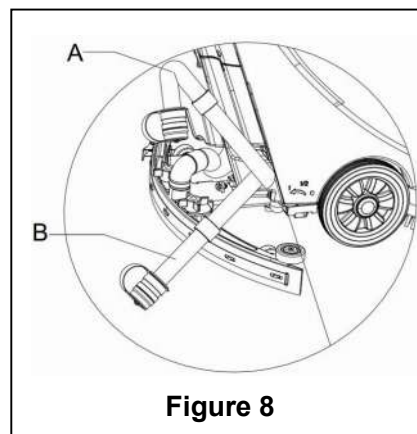


Figure 8



ATTENTION !

Lors de la vidange des eaux usées, le flexible d'aspiration pour les déchets doit être plié ou abaissé à une position plus basse (comme représenté dans la Figure 8 A ou B) puis ouvrez le bouchon du flexible d'aspiration afin de vidanger l'eau. N'orientez pas la sortie du flexible d'aspiration pour les déchets vers le haut pour vidanger l'eau verticalement. Ceci afin d'éviter que les eaux usées se déversent sur l'opérateur.

Vider le réservoir de solution

6. Effectuez les étapes 1 à 4.
7. Comme indiqué dans la **Figure 9**, tournez pour ouvrir le bouchon du réservoir de solution (A) dans le sens inverse des aiguilles d'une montre dans la direction C et vidangez complètement le réservoir de solution. Utilisez de l'eau propre pour nettoyer l'intérieur du réservoir de solution. Quand le travail est terminé, serrez bien le bouchon du réservoir de solution (A) dans le sens des aiguilles d'une montre dans la direction B.

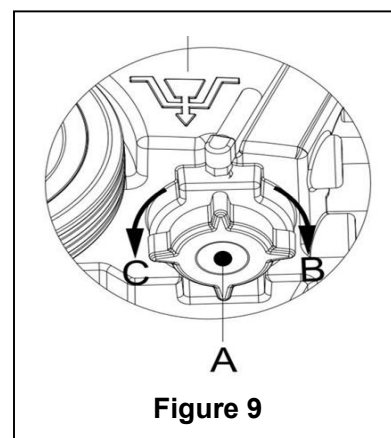


Figure 9

APRÈS AVOIR UTILISÉ LA MACHINE

Quand le travail est terminé et avant de quitter la machine, effectuez les étapes suivantes :

1. Suivez la procédure décrite dans la partie ci-dessus concernant l'installation et le retrait de la brosse/du plateau porte disque et enlevez la brosse/le plateau porte disque
2. En suivant les procédures décrites dans les parties correspondantes, vidangez complètement l'eau du réservoir de solution et du réservoir de récupération.
3. Effectuez les procédures d'entretien quotidien (consulter la partie sur l'entretien).
4. Entreposez la machine, dont la brosse/le plateau porte disque et la raclette, dans un endroit propre et sec. La raclette doit être soulevée ou retirée.

UTILISATION POUR LA PREMIÈRE FOIS

Après les 9 première heures d'utilisation, veuillez vérifier toutes les pièces afin de vous assurer que rien ne s'est desserré ou endommagé lors du fonctionnement et vérifiez qu'il n'a pas de dommages ou de fuites visibles.

ENTRETIEN ET SOIN

La durée de vie et la sécurité de fonctionnement maximale de la machine sont assurées par un entretien et un soin appropriés et réguliers.

Le tableau suivant fournit un programme général de maintenance pour la machine. Les intervalles d'entretien sont déterminés en grande partie par les conditions de fonctionnement de la machine. Ces intervalles doivent être déterminés par le personnel responsable de la maintenance.



AVERTISSEMENT !

Ces procédures doivent être effectuées uniquement après avoir débranché l'alimentation électrique de la machine. Avant de procéder à l'une des procédures de maintenance, veuillez étudier attentivement les sections relatives à la sécurité correspondantes.

Tout l'entretien du programme ou tout entretien supplémentaire doit être effectué par du personnel qualifié ou des centres de service agréés.

Ce manuel décrit uniquement les procédures de maintenance les plus simples et les plus communes. Pour toute autre procédure de maintenance que celles indiquées dans ce tableau d'entretien planifié, veuillez consulter le manuel de maintenance du centre de service.

TABLEAU D'ENTRETIEN PLANIFIÉ

Procédure	Quotidien, Machine après utilisation	Hebdomadaire	Tous les 6 mois	Annuellement
Nettoyer la raclette				
Nettoyer/contrôler la brosse/le plateau porte de disque				
Nettoyer le réservoir d'eau et le filtre à flotteur, contrôler les joints d'étanchéité du réservoir d'eau				
Contrôler et remplacer la bavette de la raclette				
Nettoyer le filtre de solution				
Nettoyer le filtre du moteur d'aspiration				
Vérifier que les écrous et les boulons sont bien serrés			(1)	
Contrôler ou remplacer les charbons du moteur de brosse/plateau porte disque				(2)
Contrôler ou remplacer les charbons du moteur d'aspiration				(2)

(1) Doit être effectué 9 heures après le début de fonctionnement de la machine.

(2) Ces procédures de maintenance doivent être effectuées par un Centre de service après-vente VIPER agréé.

NETTOYAGE DE LA RACLETTE



REMARQUE

Afin de conserver l'effet optimal de l'aspiration d'eau, la raclette doit être maintenue propre et la bavette de la raclette doit rester en bon état.



ATTENTION !

Lors du nettoyage de la raclette, il est recommandé de mettre des gants de protection car la raclette peut contenir des fragments coupants.

- Placez la machine sur une surface plane et lisse.
- Appuyez sur l'interrupteur d'alimentation (38) sur la position "O" pour éteindre la machine.
- Dévissez les molettes (16) de la raclette, débranchez le flexible d'aspiration de la raclette puis retirez la raclette.
- Utilisez la poignée de levage de la raclette (14) pour soulever le cadre de support de la raclette.
- Nettoyez la raclette (**Figure 10**). Nettoyez en particulier la rainure (**A, Figure 10**) ainsi que les saletés et les fragments dans le tube d'aspiration. Vérifiez si la bavette avant (C) et la bavette arrière (D) de la raclette sont intactes et s'il n'y a pas de bords usés ou déchirés. Remplacez-les si nécessaire (voir les étapes dans la partie suivante).
- Réinstallez la raclette dans l'ordre inverse de celui indiqué ci-dessus.

VÉRIFICATION ET REMPLACEMENT DES BAVETTES DE RACLETTE

- Suivez les méthodes indiquées dans la section précédente pour nettoyer la raclette (**Figure 10**)
- Vérifiez le bord (**E, Figure 10**) de la bavette avant de la raclette et le bord (**F**) de la bavette arrière (**D**) de la raclette. Sur toute la longueur, ils doivent au même niveau. Dans le cas contraire, réglez leurs hauteurs grâce à la procédure suivante.
 - Desserrez le clip (**G**) pour séparer la bavette arrière (**D**) de la raclette du support (**M**) afin de régler la position de la raclette. Après le réglage, verrouillez à nouveau le clip.
 - Desserrez la vis de la poignée (**I**) pour régler la bavette avant (**C**) de la raclette. Serrez la vis de la poignée après le réglage.
- Vérifiez si la bavette avant (**C**) et la bavette arrière (**D**) de la raclette sont intactes et s'il n'y a pas de bords usés ou déchirés. Si nécessaire, remplacez-les selon les méthodes suivantes. Vérifiez si le bord avant de la bavette arrière de la raclette (**J**) est usé. S'il est usé, la raclette peut être installée à l'envers (le bord supérieur doit être intact). Si le bord supérieur est également usé, changez-la en suivant la procédure ci-dessous :
 - Desserrez le clip (**G**) pour séparer la bavette de pression du support (**M**), retirez la barre de fixation (**K**) puis remplacez ou retournez la bavette arrière (**D**) de la raclette. Réinstallez la bavette arrière de la raclette dans le sens inverse du retrait.
 - Desserrez la vis de la poignée (**I**) et retirez la barre de fixation avant (**L**) puis remplacez la raclette avant (**C**). Réinstallez la bavette avant de la raclette dans le sens inverse du retrait. Après avoir remplacé la lame de la raclette (ou l'avoir retournée), réglez le niveau des bavettes avant et arrière de la raclette comme décrit dans les procédures ci-dessus.
- Raccordez le flexible d'aspiration (**11**) à la raclette.
- Installez la raclette et utilisez les molettes (**16**) pour la serrer, puis raccordez le flexible d'aspiration à la raclette.
- Si nécessaire, réglez la raclette à l'aide de la molette de réglage (**20**) (consultez les procédures de réglage d'inclinaison de la raclette).

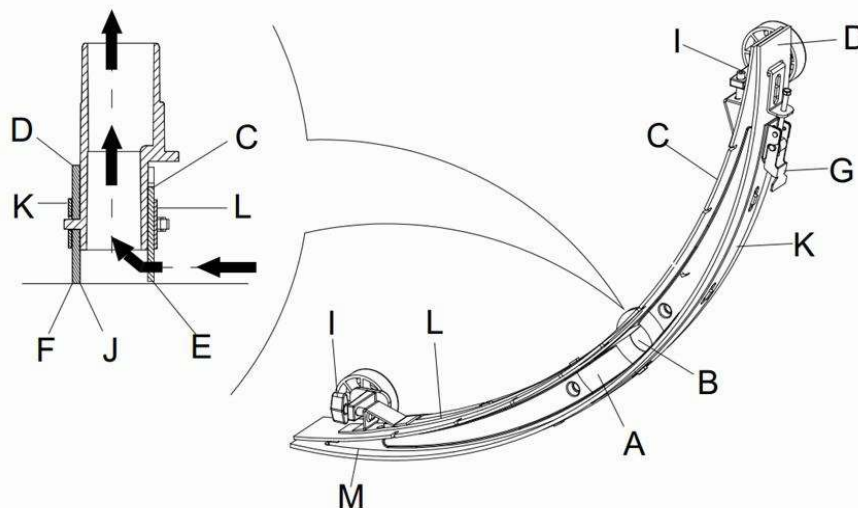


Figure 10

NETTOYER AVEC LA BROSSE/LE PLATEAU PORTE DISQUE



ATTENTION !

Lors du nettoyage de la brosse/du plateau porte disque, le port de gants de protection est recommandé car ces éléments peuvent contenir des fragments coupants.

- De la manière indiquée dans les parties précédentes, retirez la brosse/le plateau porte disque.
- Nettoyez la brosse/le plateau porte disque avec de l'eau et des détergents.
- Vérifier l'état d'usure le plateau porte disque et, si nécessaire, remplacez le plateau porte disque.
- Vérifiez l'état d'usure du support du patin et, si nécessaire, remplacez le support du patin.

NETTOYAGE DU RÉSERVOIR D'EAU ET DU FLOTTEUR

1. Déplacez la machine vers un lieu de vidange dédié.
2. Appuyez sur l'interrupteur d'alimentation (38) sur la position "O" pour éteindre la machine.
3. Ouvrez le couvercle du réservoir de récupération (A, **Figure 11**) et retirez le dispositif de flotteur (36) du réservoir de récupération.
4. Utilisez de l'eau propre pour nettoyer le couvercle du réservoir de récupération (A), le réservoir (B et C) et le cadre de support du filtre à flotteur (E). À l'aide du flexible de vidange (15), vidangez toute l'eau du réservoir d'eau sale.
5. Si nécessaire, en suivant les symboles "Ouvrir" et "Fermer" comme indiqué sur la **Figure 11**, ouvrez le couvercle du fond (F) du filtre à flotteur et nettoyez le flotteur (D), le cadre de support du filtre à flotteur (E) et le filtre éponge (I). Après le nettoyage, fixez le flotteur sur le cadre de support du filtre à flotteur (E) puis alignez la rainure de marquage (L) du couvercle du fond (F) du filtre à flotteur avec la rainure de marquage (L) du cadre de support du filtre à flotteur (E). Serrez le couvercle du fond (F) du filtre à flotteur en le tournant et fixez le filtre éponge (I) sur le cadre de support du filtre à flotteur (E) puis sur le tube d'aspiration (M).
6. Vérifiez la solidité de la bague d'étanchéité (G) du couvercle du réservoir d'eau.



REMARQUE

La bande d'étanchéité (G) du réservoir d'eau fait créer un vide au réservoir d'eau sale. Il doit être complètement scellé pour pouvoir aspirer efficacement les eaux usées du sol.

Si nécessaire, la bande d'étanchéité du réservoir d'eau (G) peut être retirée de la rainure (H) et remplacée. Lors de l'assemblage d'une nouvelle bande d'étanchéité sur le réservoir d'eau, sachez comme indiqué sur la **Figure 11** ci-dessous, installez le raccord sur la section médiane de la partie arrière.

7. Vérifiez si la surface de réception de la bande d'étanchéité (G) est intacte et isole correctement.
8. Fermez le couvercle du réservoir de récupération (A).

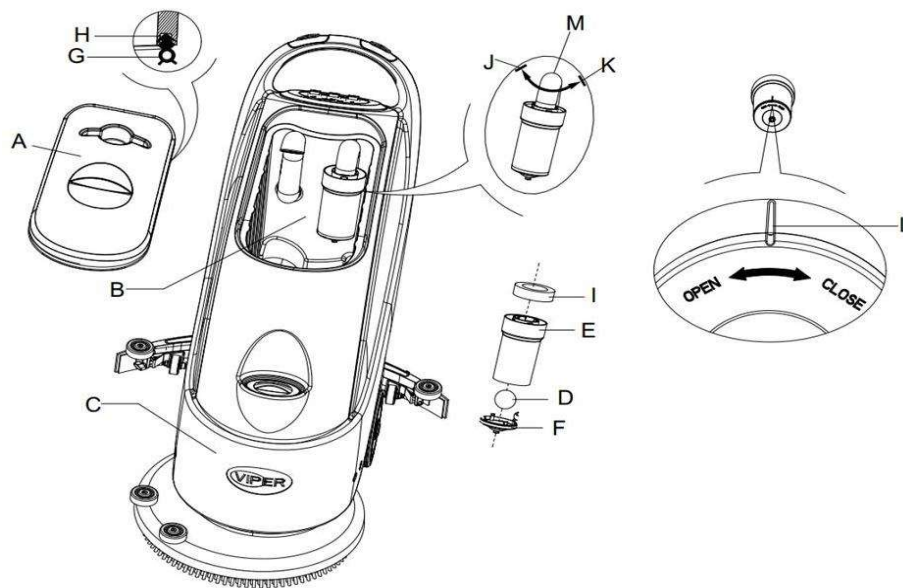


Figure 11

NETTOYER LE FILTRE DE SOLUTION

1. Vidangez toute l'eau du réservoir de solution comme indiqué dans les parties correspondantes.
2. Placez la machine sur un sol plat et lisse.
3. Appuyez sur l'interrupteur d'alimentation (38) sur la position "O" pour éteindre la machine.
4. Fermez le robinet d'arrivée d'eau (A, **Figure 12**) (située au bas de la machine, derrière les roues). Position B : robinet ouvert et position C : robinet fermé.
5. Retirez le couvercle transparent (D) puis retirez le filtre (E) et installez-les sur le boîtier du filtre (F) après le nettoyage.

**REMARQUE**

Le filtre (E) doit être installé avec précision sur la position de la projection (G).

6. Ouvrez le robinet (A).

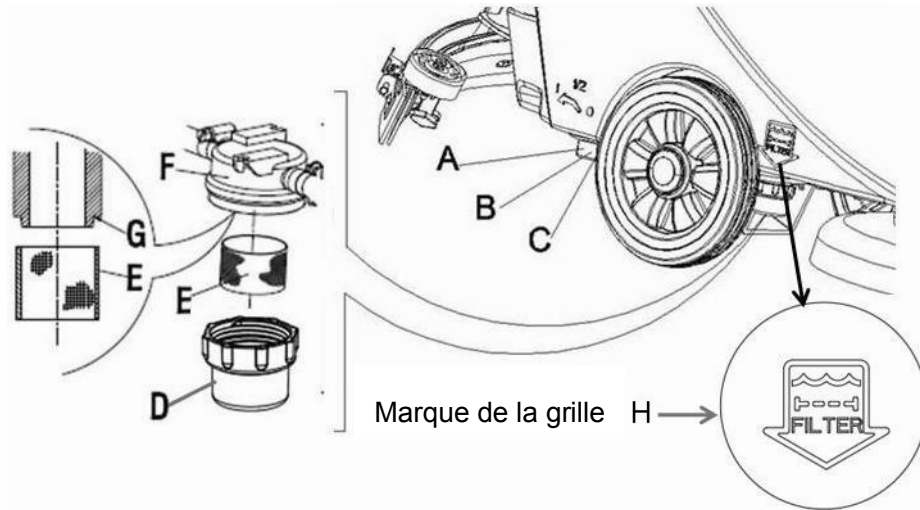
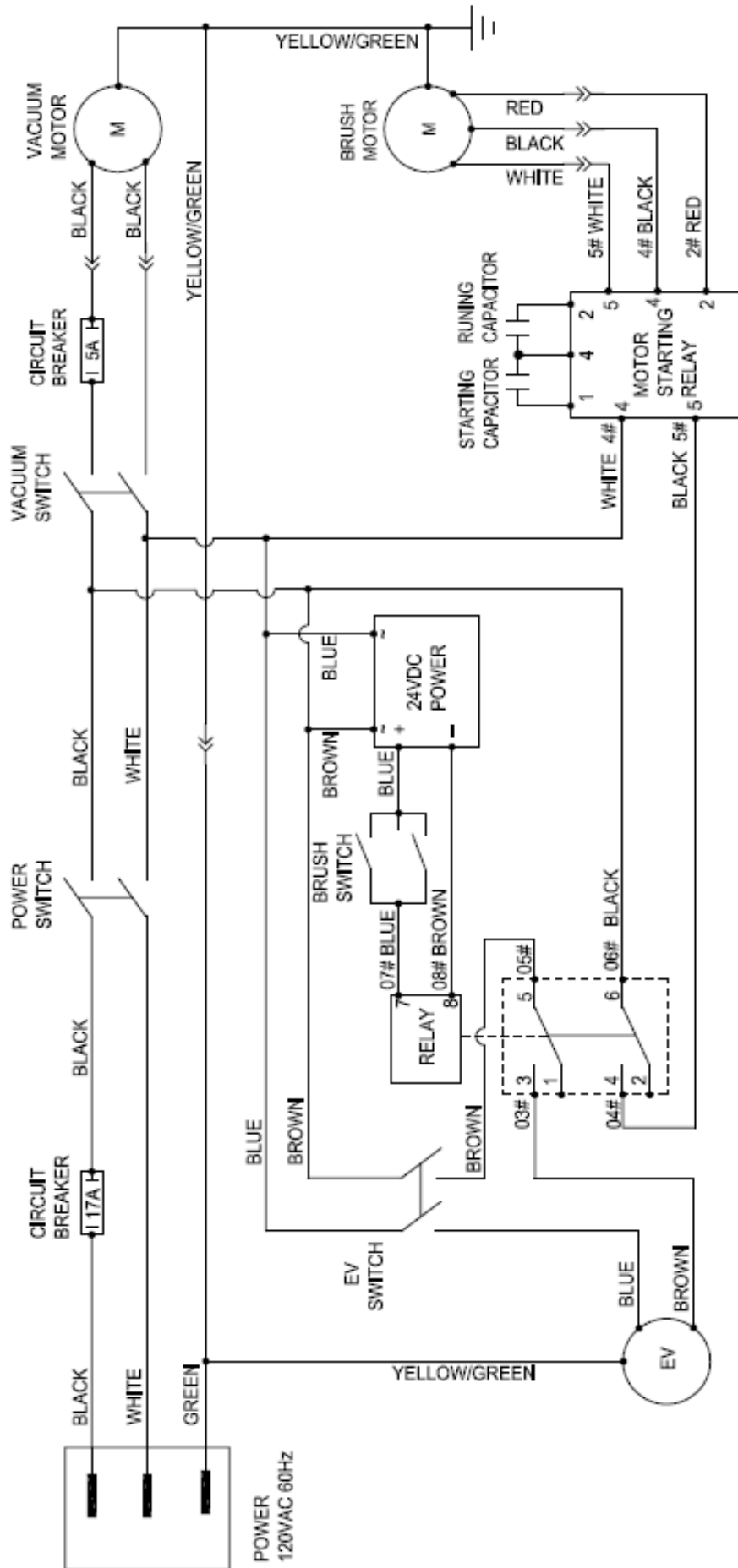


Figure 12

FIGURE DU CIRCUIT AS430C ET AS510C



DÉPANNAGE

Breakdown	Probable Causes	Remedies
La machine ne fonctionne pas	Le câblage n'est pas branché correctement ou mauvais câblage	Vérifiez le câblage ou contactez votre distributeur Viper
	Moteur de la brosse défectueux	Contactez votre distributeur Viper
	Charbons usés	Contactez votre distributeur Viper
Le moteur d'aspiration ne fonctionne pas	Le câblage n'est pas branché correctement ou mauvais câblage	Vérifiez le câblage ou contactez votre distributeur Viper
	Moteur de la brosse défectueux	Contactez votre distributeur Viper
	Charbons usés	Contactez votre distributeur Viper
Peu ou pas de débit de solution	Robinet défectueux	Contactez votre distributeur Viper
	Robinet de solution défectueux	Contactez votre distributeur Viper
	La position du robinet doit être ajustée	Quand le robinet est en position horizontale, le débit de solution est maximal
	Filtre sale.	Nettoyez le filtre
Aspiration insuffisante	Le réservoir d'eau usée est plein.	Videz le réservoir d'eau
	Le tube d'aspiration pour les déchets et la raclette ne sont pas raccordés correctement	Raccordez le tube d'aspiration pour les déchets et la raclette
	Filtre à flotteur bloqué ou arrivée bloquée	Nettoyez le filtre à flotteur, vérifiez la bille du flotteur
	Raclette sale ou bavette de la raclette usée et endommagée	Nettoyez et vérifiez la raclette
	Le couvercle du réservoir de récupération n'est pas enclenché correctement ou la bande d'étanchéité du réservoir d'eau est endommagée	Remettez correctement le couvercle ou changez la bande d'étanchéité du réservoir d'eau
La raclette laisse des marques	Débris tels que des fragments sous la bavette de la raclette	Retirez les fragments
	La bavette de la raclette est déjà usée, fissurée, cassante.	Changez la bavette de la raclette
	L'inclinaison de la raclette n'est pas réglée	Réglez l'inclinaison

MISE AU REBUT DE LA MACHINE

Utilisez une machine à broyer homologuée pour détruire cette machine.

Avant de détruire cette machine, veuillez retirer et séparer les éléments suivants qui, conformément aux lois et aux règlements applicables, doivent être correctement traités.

- Brosse/plateau porte disque
- Tuyaux en plastique et composants en plastique
- Composants électriques et électroniques (*)

(*): Veuillez contacter le Centre VIPER le plus proche (en particulier si la mise au rebut de composants électriques et électroniques est nécessaire).

INHOUDS OPGAVE

INTRODUCTIE	46
INHOUD	46
DOEL	46
ONDERDELEN EN ONDERHOUD	46
WIJZIGINGEN EN VERBETERINGEN	46
TOEPASSINGSGEBIED	46
UITPAKKEN / TRANSPORT	46
ALGEMENE VEILIGHEID GIDSEN	47
TECHNISCHE GEGEVENS	48
BESCHRIJVING VAN DE MACHINE	48
MACHINE STRUCTUUR	48
BEDIENINGS PANEEL	49
GIDS VOOR GEBRUIK	50
VOOR DE MACHINE OPSTART	50
INSTALLATIE EN LOSMAKEN VAN DE BORSTEL/PAD HOUDER	50
HET INSTELLEN VAN DE ZUIGMOND BALANS	50
VOLUME VAN WATER STROOM REGELING	51
MACHINE STARTEN EN STOPPEN	51
MACHINE OPERATIE (SCHROBBEN EN DROGEN)	52
TANK LEEGMAKEN	52
NA HET GEBRUIK VAN DE MACHINE	53
GEBRUIK VOOR DE EERSTE KEER	53
ONDERHOUD EN ZORG	53
ONDERHOUDSSHEMA	54
ZUIGMOND REINIGING	54
ZUIGMOND BLAD CONTROLEREN EN VERVANGING	54
BORSTEL / POLIJST PAD REINIGING	55
WATER TANK EN VLOTTER FILTER MESH REINIGING	55
OPLOSSING FILTER REINIGING	56
CIRCUIT FIGUUR VAN AS430C EN AS510C	57
PROBLEEMOPLOSSING	58
MACHINE VERWIJDEREN	58

INTRODUCTIE



OPMERKING

De getallen tussen haakjes verwijzen naar de gerelateerde componenten weergegeven in de alinea Machine Beschrijving.

INHOUD

Deze handleiding is om de gebruiker te voorzien van de nodige informatie om deze machine goed en veilig te gebruiken. De informatie omvat de technische gegevens, veiligheid, gebruik, opslag, onderhoud en verwijdering van de machine. De gebruiker en technici met bijbehorende kwalificaties moet deze handleiding zorgvuldig bestuderen alvorens met het gebruik en het onderhoud van deze machine aan de slag te gaan. Neem contact op met ur VIPER Dealer voor vragen over deze handleiding of wanneer verdere aanverwante informatie nodig is.

DOEL

De bedoeling van deze handleiding is om de gebruiker en gekwalificeerde technici in staat te stellen het onderhoud van deze machine uit te kunnen voeren. De gebruiker moet dehandelingen die alleen moet worden uitgevoerd door technici niet uitvoeren. VIPER is niet verantwoordelijk voor eventuele schade veroorzaakt door de overtreding van deze regel.

ONDERDELEN EN ONDERHOUD

Alle noodzakelijke bediening, onderhoud en reparatie procedures moeten worden uitgevoerd door gekwalificeerd personeel of door de servicecentra van VIPER.

Alleen erkende onderdelen en accessoires moeten worden gebruikt.

Als service, het bestellen van onderdelen of accessoires nodig zijn, neem dan contact op met uw VIPER Dealer met het modelnummer van de machine en serienummers.

WIJZIGINGEN EN VERBETERINGEN

VIPER maakt voortdurende verbeteringen op haar producten. VIPER heeft het recht op het veranderen en het verbeteren van de machines en het recht op zichzelf te beslissen of de voordelen teweeg brengen door veranderingen die gelden voor reeds verkochte producten.

Alle wijzigingen of extra accessoires moeten door VIPER worden overeengekomen en moet door het bedrijf worden uitgevoerd.

TOEPASSINGSGEBIED

Deze schrobzuig machine wordt gebruikt in een huishoudelijke en industriële omgeving, en is geschikt voor de reiniging van gladde en harde vloeren (schrobben en afvalwater). Het moet door gekwalificeerd personeel, en in een veilige omgeving gebruikt worden. Deze schrobzuigmachine kan niet worden gebruikt voor het reinigen buitenshuis, op tapijten, en relatieve grove vloeren.

UITPAKKEN / TRANSPORT

Volg de instructies op de verpakking aandachtig bij het uitpakken.

Bij levering, controleer de verpakking en de machine of er geen schade is aangericht tijdens transport.

Als er zichtbare schade is, behoud de oorspronkelijke vorm, en vraag de vervoerder om te bevestigen en door het invullen van een lijst voor de schade vergoeding.



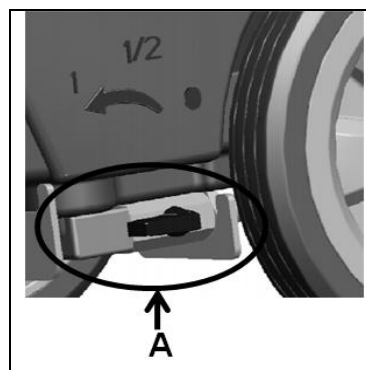
—LET OP

Bij het uitpakken en lossen, of tijdens het bewegen van de machine over de grond, zorg ervoor dat u de aan / uit schakelaar van waterstroom regelaar niet aanraakt, deel A in het figuur rechts.

Controleer of de machine is uitgerust met de volgende items:

Technische documenten

— Gebruikershandleiding



ALGEMENE VEILIGHEID GIDSEN

Hieronder een paar bijzondere waarschuwingen en mededelingen over mogelijke schade (personeel en machine):



WAARSCHUWING!

- Machine mag alleen onder begeleiding van deze handleiding worden gebruikt. Alleen accessoires goedgekeurd door VIPER moeten worden gebruikt.
- Deze machine mag alleen worden gebruikt door daartoe opgeleide en bevoegde personen. Kinderen of ongeschikte personen mogen dit apparaat niet gebruiken.
- Bij het werken in de buurt van elektrische onderdelen, gelieve geen sieraden te dragen. Gelieve alle voorzorgsmaatregelen te treffen om het haar, sieraden, en loszittende kleding die kunnen worden opgevangen door bewegende delen van de machine te voorkomen.
- Gebruik dit apparaat niet in extreem bevulde plaatsen. De machine niet direct te wassen met water. Laat de machine niet in aanraking komen met bijtende vloeistoffen.
- De temperatuur voor de opslag en voor de werkomgeving van de machine moet liggen tussen 0-40^o C.
- De luchtvochtigheid moet liggen tussen 30% - 105%.
- Gelieve de machine niet te gebruiken op een helling met een hellingshoek van meer dan 2%.
- In geval van brand, gebruik dan droge poeder brandblussers. Gebruik geen brandblussers met vloeibaar blusmiddel
- In het bijzonder moet aandacht worden besteed aan de machine als deze onder de 0^oC wordt vervoerd. Het waterreservoir en het water in de slangen kan bevriezen en leiden tot ernstige schade aan de machine.
- Gebruik originele borstels en pads, welke in de gebruikershandleiding zijn opgenomen. Het gebruik van andere borstels of pads kunnen de veiligheid verminderen.
- In geval van een defect aan het apparaat, moet u ervoor zorgen dat het niet wordt veroorzaakt door een gebrek aan onderhoud. Als het wordt veroorzaakt door andere omstandigheden, dan kunt u de hulp inroepen van bevoegd personeel of het Viper service center.
- Als wordt bevestigd dat de onderdelen moeten worden vervangen, neem dan de authentieke onderdelen van geautoriseerde Viper dealers. Kijk ook op de website van Viper voor een Dealer bij u in de buurt!
- Om een veilige en correcte werking van de machine te garanderen, laat het bevoegd personeel of het Viper service center de geplande onderhoud uitvoeren volgens het onderhoudsschema in de gerelateerde secties van de handleiding.
- Deze machine moet goed worden afgevoerd omdat er giftige en gevaarlijke stoffen kunnen beschadigen. Deze stoffen moeten door speciale centra in overeenstemming met de relevante wet-en regelgeving worden afgevoerd (zie paragraaf machine verwijdering).

TECHNISCHE GEGEVENS

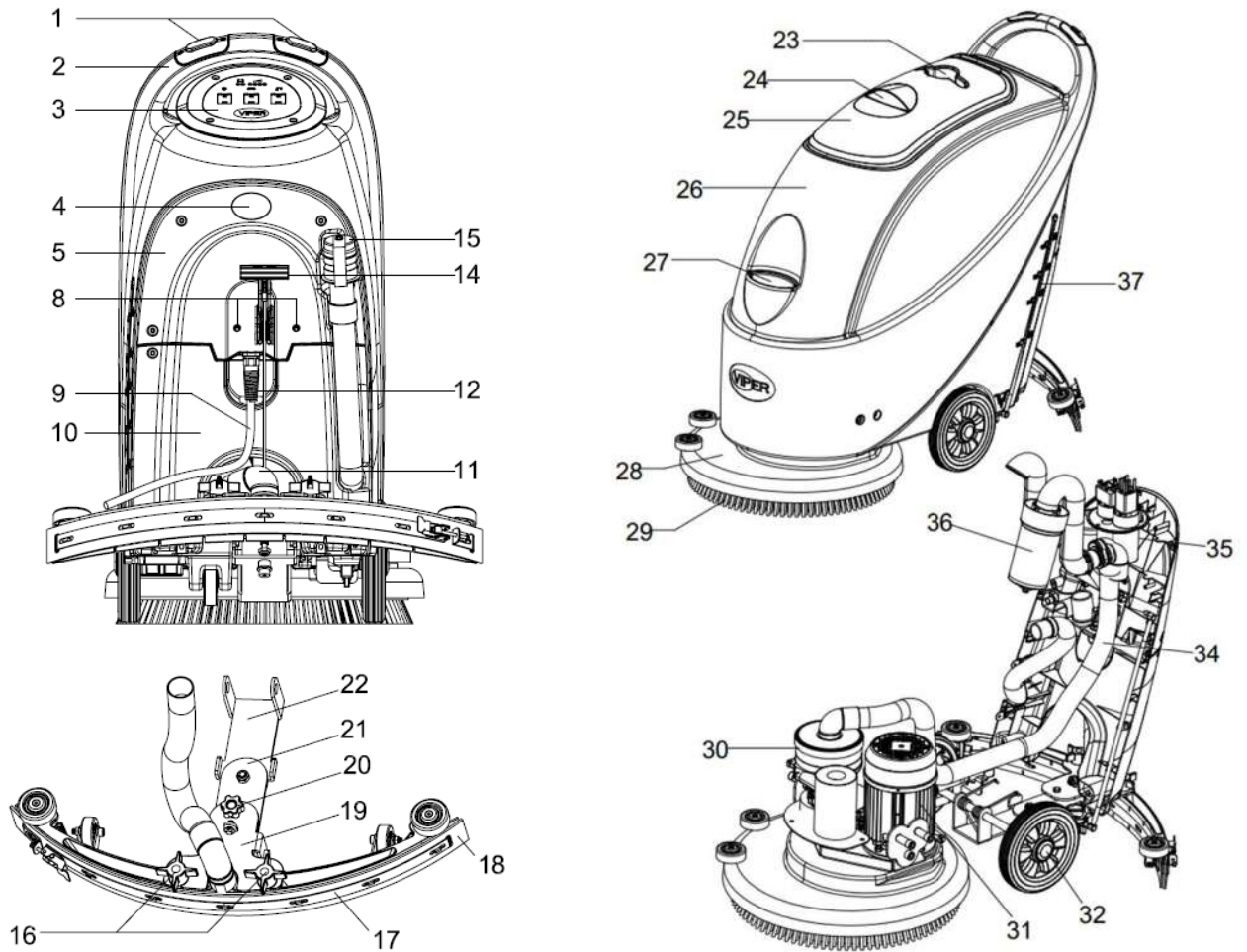
Model	AS430C	AS510C
Machine Hoogte	980mm	
Oplossing tankinhoud	50 liter	
Vuilwater tankinhoud	50 liter	
Diameter van het wiel	200mm	
Diameter van leiwiel	63.5mm	
Kracht van vacuümsysteem	400w	
Maximale helling bij het werken	2%(Max)	
Geluidsdruk niveau op de werkplek	72dB(A) ±3dB(A)	
Kabel Lengte	20m	
Vacuümsysteem circuitcapaciteit	1200 mm H ₂ O	
Reinigingsbreedte	430mm	510mm
Zuigmondbreedte	730mm	790mm
Machine maximale lengte	1060mm	1100mm
Machinebreedte zonder zuigmond	480mm	540mm
Borsteldiameter	430mm	510mm
Gewicht met lege tanks	70kg	74kg
Brutogewicht van de machine klaar voor gebruik	120kg	124kg
Borstel motorvermogen	750W	
Borstelsnelheid	150rpm	
Borstel/ pad houder Maximale druk	32kg (Max)	35kg(Max)
Verpakking Grootte (L x B x H)	1200 x 610 x 1170mm	

BESCHRIJVING VAN DE MACHINE

MACHINE STRUCTUUR

- | | |
|---|---|
| 1. Veiligheidsschakelaar knop | 20. Zuigmond aanpassen handwiel |
| 2. Stuur | 21. Zuigmond achterste frame |
| 3. Bedieningspaneel | 22. Zuigmond voorste frame |
| 4. Serienummer plaat / Technische gegevens / Conformiteit certificering | 23. Bekerhouder |
| 5. Controle deksel | 24. Deksel van de vuilwatertank handvat |
| 6. N/A | 25. Tankdeksel herstel |
| 7. N/A | 26. Tanklichaam |
| 8. Terugstelschakelaar | 27. Waterinlaat deksel |
| 9. Stroom Kabel | 28. Schrobdek |
| 10. Batterijdeksel | 29. Borstel / pad-houder |
| 11. Vacuümbuis voor afval | 30. Zuigmotor |
| 12. Zuigmond trek koord | 31. Borstelmotor |
| 13. N/A | 32. 8 " wiel |
| 14. Zuigmond optilhandgreep | 33. N/A |
| 15. Afvoerslang | 34. Vacuümbuis |
| 16. Zuigmond vaste knop | 35. Electrisch Doos |
| 17. Zuigmond clip | 36. Float filter |
| 18. Zuigmond rubber | 37. Waterniveau buis (naar hoeveelheid water in oplossing tank) |
| 19. Zuigmond steun kader | |

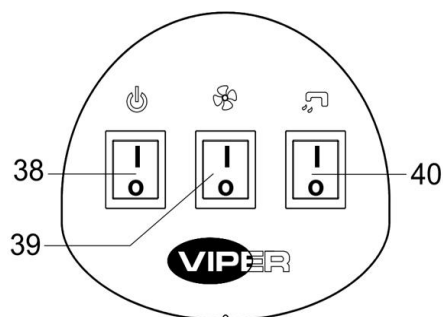
FIGUREN VAN DE MACHINE STRUCTUUR



Figuur 1

BEDIENINGS PANEEL (Figuur 2)

- 38. Stroomschakelaar
- 39. Vacuümschakelaar
- 40. Magneetventiel schakelaar



Figuur 2

GIDS VOOR GEBRUIK



WAARSCHUWING

Op bepaalde delen van de machine indicatieve tekenen geplakt:

- GEVAAR
- WAARSCHUWING
- LET OP
- CONSULTATIE

Bij het lezen van deze handleiding, moet de exploitant bijzondere aandacht besteden aan de symbolen.

In geen geval mogen deze tekens worden afgedekt. Als ze beschadigd zijn, onmiddellijk te vervangen.

VOOR DE MACHINE OPSTART

INSTALLATIE EN LOSMAKEN VAN DE BORSTEL/PAD HOUDER



OPMERKING

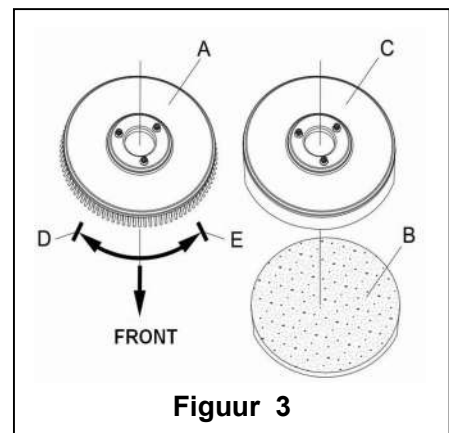
Volgens de te reinigen vloer type, kan de machine worden geïnstalleerd met een borstel (Figure3, A), of een pad-houder (fig. 3, B en C).



LET OP!

Wanneer u handmatig de borstel / pad houder installeert of los maakt, eerst controleren of alle schakelaars in de Uit positie is en til de zuigmond van de vloer, pas hierna kan de borstel of pad houder worden bewerkt. Bovendien, zorg er dan ook voor beschermende handschoenen om gesneden te worden door fragmenten te voorkomen.

1. (Alleen van toepassing op **AS430C** en **AS510C**): zorg ervoor dat power cable (9) disconnecting the power supply and the switch (38) is at the disconnecting (O) condition.
2. Druk het stuur (2) omlaag om tank frame (26) op te tillen.
3. Zet de borstel (A) of de pad-houder (B - C) onder de deksel.
4. Gebruik het stuur (2) om tank frame(26) omlaag te zetten om in aanraking te komen met de borstel of pad-houder.
5. Om de borstel / padhouder automatisch te installeren, zet de schakelaar (38) naar de "I" positie en druk de veiligheidsschakelaar in (1). Duw de machine naar voren, om het mogelijk te maken dat de wiel op de bodem van de tankaf te laten stemmen met de borstel of padhouder. Laat vervolgens de schakelaar gekoppeld. Herhaal indien nodig deze procedure tot de borstel / padhouder is geïnstalleerd.



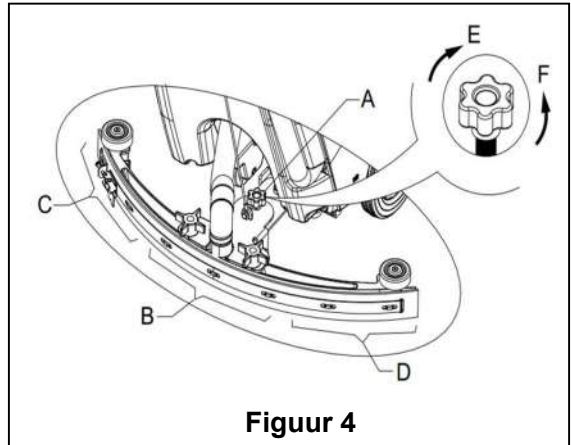
Figuur 3

6. Als stap 5 hierboven moeilijk is, gebruik de handmatige werkwijze volgens de pijlpunt (D) om de borstel / padhouder (zie **Figuur 3**) te installeren.
7. Om de borstel / padhouder automatisch los te maken, zet de schakelaar (38) naar de "O" positie. Gebruik uw hand om het stuur in positie te houden en druk de machine omlaag totdat de gids wiel de grond raakt. Zet de hoofdschakelaar (38) op de "I" positie, en druk de veiligheidsschakelaar in. De borstel of padhouder draaien totdat de borstel / padhouder naar de vloerzakt.
8. Als Stap nummer 7 hierboven moeilijks, gebruik dan de handmatige methode door de borstel / padhouder te draaien in de tegenovergestelderichting.(Zie **Figuur 3**)

HET INSTELLEN VAN DE ZUIGMOND BALANS

9. Installeer de zuigmond en zet hem vast met het handvat (16). Sluit vervolgens de zuigbuis (11) voor afval naar de zuigmond.
10. Stel de zuigmond door de instelknop (A) van de zuigmond (zie **Figuur 4**).
 - 1) Het middelste gedeelte van de zuigstrip, sectie B, heeft een kloof met de vloer of de neerwaartse druk en is relatief licht.Stel de hendel tegen de klok in, totdat de hele lengte van de achterwisser goed met de vloer raakt. De voorste wisser moet licht tegen de vloer aankomen.

- 2) De twee uiteinden van de zuigstrip, secties C en D, hebben een kloof met de vloer of de neerwaartse druk en is relatief licht. Stel de hendel met de klok mee totdat de gehele lengte van de achterwisser goed tegen de vloer aankomt. De voorste wisser moet licht tegen de vloer aandrukken.



Figuur 4

Reinigingsmiddelen tank vullen



LET OP!

Alleen lage schuim, niet brandbare middelen kunnen worden gebruikt. Deze middelen moeten geschikt zijn voor het gebruik van schrobzuig machines.

11. Open de waterinlaat deksel (27) en voeg water toe in de reinigingsmiddelentank. De tank niet te vol vullen. Vullen tot de rand van de filterhouder van de watertoevoer is voldoende. Bij de voorbereiding van het schoonmaken van het reinigingsmiddel, volg dan de voorschriften door de geleverde fabrikant. De watertemperatuur mag niet meer dan 40 °C zijn.

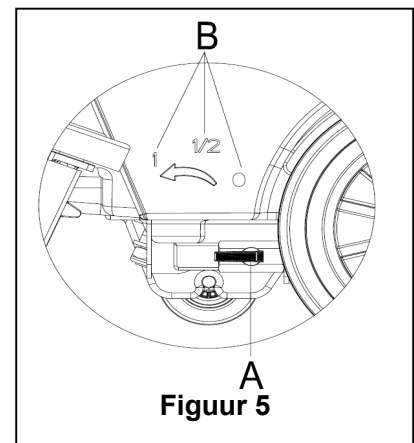
VOLUME VAN WATER STROOM REGELING



WAARSCHUWING !

Het reguleren van de kogelkraan hendel (A, Figuur 5) moet onder de voorwaarde worden gedaan wanneer de hoofdschakelaar (38) in de "O" positie is.

12. Het volume van de waterstroom kan worden aangepast door de kogelkraan hendel (A, Figuur 5) volgens de hoeveelheid water dat praktisch vereist is voor het schrobben van de vloer.



Figuur 5

MACHINE STARTEN EN STOPPEN

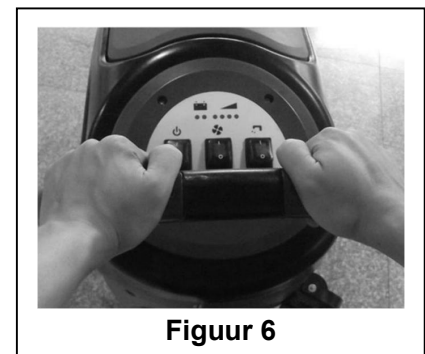
Het starten van de machine

1. Volg de voorbereidende stappen gerelateerd zoals hierboven
2. Sluit de stroomkabel (9) aan met een overeenkomstige spanning voeding, en druk op de schakelaar (38) naar de "I". positie .
3. Gebruik de hendel(14) om de zuigmond te verlagen.
4. Zet de vacuüm schakelaar(39) naar de "I" positie.
5. Zet de waterstroom volume schakelaar(40) naar de "I" positie. (Gelijktijdig werken met de veiligheidsschakelaar(1) om het werk van magneetventiel te controleren.)
6. Houd de veiligheidsschakelaar (1) en duw om de machine te verplaatsen. De borstel(29) begint te draaien en de machine begint met de schoonmaak werk.



CONSULTATIE: De weg om de machine te duwen
Een van de kenmerken van de machine is de installatie van twee veiligheidsschakelaars aan beide zijden van het stuur. Elke veiligheidsschakelaar kan onafhankelijk bestuurd worden van de werking van de borstel. Bij gebruik vergemakkelijkt de controle van de werking van de machine.

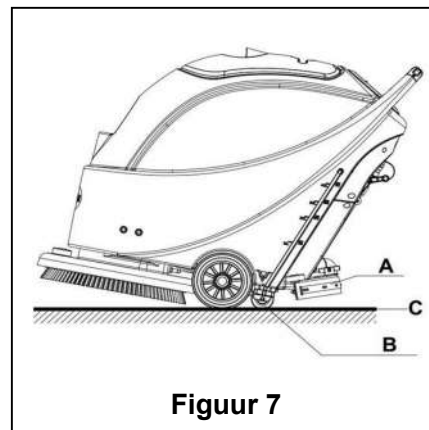
Door ervaring, de methode op de getoonde Figuur 6 recht, machine verplaatsen is nu meer geschikt, de gebruikers voelen zich meer comfortabel op de handen, het vermindert werk vermoeidheid. Zodat de gebruikers worden aangeraden om de machine op deze manier te verplaatsen.



Figuur 6

Het stoppen van de machine

7. Wanneer u klaar bent met het apparaat, eerst de borstel / pad-houder losmaken (zie de stappen verbonden in de paragraaf over borstel / pad-houder installatie en lossen)
8. Laat de veiligheids schakelaar (1) de borstel / pad-houder en magneetventiel los om uit te schakelen.
9. Zet de vacuümpomp schakelaar (39) naar de "O" positie, en de vacuümpomp zal vertragen gedurende 5 seconden voordat het stopt met werken.
10. Zet de waterstroom volume schakelaar (40) naar de "O" positie om het werk van de elektromagnetische klep volledig uit te schakelen.
11. Zet de schakelaar (38) naar de "O" positie. En (9) trek de stroom kabel (9) uit het stopcontact.
12. Gebruik de zuigmond optilhandgreep (14) om de zuigmond op te tillen.
13. Pak het stuur (2) en kantel de machine naar achteren totdat de gids wiel (B) de grond raakt. Zie **Figuur 7**.



Figuur 7

MACHINE OPERATIE (SCHROBBEN EN DROGEN)

1. Start de machine volgens de bovenstaande beschrijving.
2. Houd de veiligheids schakelaar (1) (volgens de manier weergegeven in figuur 6), druk om de machine te verplaatsen, en start de schoonmaakklus.
3. Indien nodig, het apparaat uitschakelen, en pas de regulering greep van de zuigmond. (Raadpleeg de stappen voor het aanpassen van de zuigmond balans)
4. Indien nodig, het apparaat uitschakelen en het volume van de waterstroom aan passen met de bal klephendel. (Raadpleeg de stappen van het aanpassen van het volume van de waterstroming.).



LET OP!

Om schade aan de vloer te voorkomen de machine uitschakelen indien deze op een plek blijft stilstaan (38).

TANK LEEGMAKEN

Wanneer vuilwatertank vol is, zal een vlotter in de automatische vlotter turn-off-apparaat (36) de inlaat verbinden met de vacuümpomp te blokkeren. Door een plotselinge toename van het lawaai van de vacuümpomp kan worden aangenomen dat de vacuümpomp al overbelast en onmiddellijk afvoeren van het afvalwater vereist.



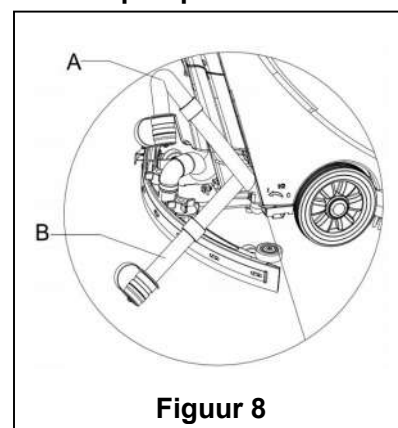
LET OP!

Als de vacuümpomp plotseling wordt uitgeschakeld (bijvoorbeeld omdat de machine plotseling is verplaatst resulteert in een activering van de vlotter), en als een hervatting van de operatie nodig is, neem dan de volgende stappen: Druk op de schakelaar (38 en 39) zet u de stroom en de vacuümpomp aan, en open het deksel van de vuilwatertank (25) om te controleren of de vlotter in de vlotter filter is teruggekeerd naar het wateroppervlak. Sluit het deksel van de vuilwatertank (25), en druk op de schakelaar (38 en 39) om het apparaat en de vacuümpomp aan te zetten.

Wanneer de vuilwatertank volledig is gevuld met afvalwater, volgt u de volgende stappen uit om het allemaal af te voeren!

Vuilwater tank leegmaken

1. De machine uitschakelen.
2. Met de handgreep(14) de zuigmond optillen.
3. Verplaats de machine naar een speciale stortplaats.
4. Pak het stuur (2) en voorzichtig de machine naar achteren hellen totdat de gids wiel de grond raakt. (Voor het couperen van de machine wordt verwezen naar de procedures in het stoppen van de machine sectie.)
5. Verwijder de afvoerslang uit de fixatie klem, buig het bovenste einde van de afvoerslang (zoals in **A, Figuur8**), en open



Figuur 8

vervolgens het deksel van de afvoerslang, verlaag de afvoerslang naar een laag niveau of op de grond voor de afvoer water. Als alternatief, plaatst afvoerslang rechtstreeks naar een lage positie of op de grond om de waterafvoer gezicht naar beneden te maken (zoals getoond in **B, Figuur8**), en draai vervolgens de water afvoer deksel van de afvoer van het afvalwater in de tank. Na het aftappen is voltooid, gebruik u zuiver water aan de binnenkant van de vuilwatertank om het te reinigen.

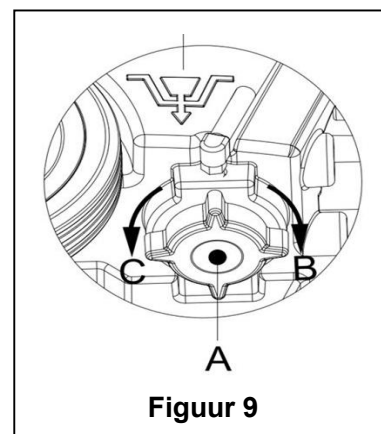


LET OP!

Bij het aftappen van het afvalwater, moet de vacuümbuis voor afval worden gevouwen of verlaagd naar een lagere stand (zoals weergegeven in Figuur 8 A of B), en open vervolgens het deksel van de vacuümbuis voor afval om het water af te voeren. Laat de uitlaat van de vacuümbuis voor afval niet omhoog om het water verticaal af te voeren. Dit is om afvalwater dat wordt gemorst op de exploitant te vermijden.

Reinigingsmiddelen tank leegmaken:

6. Voltooi de stappen 1 tot 4.
7. Zoals weergegeven in **Figuur 9**, draai het deksel van de oplossing tank (A) open tegen de klok in richting C en voer de oplossing tank helemaal. Gebruik zuiver water aan de binnenkant van de oplossing tank om te reinigen. Wanneer het werk is voltooid, draai het deksel van de oplossing tank (A) strak dicht met de klok mee in richting B.



Figuur 9

NA HET GEBRUIK VAN DE MACHINE

Wanneer het werk is voltooid en voor het verlaten van de machine, volg de volgende stappen:

1. Volg de procedure zoals beschreven in voornoemde paragraaf over het installeren en lossen van de borstel / pad-houder, en verwijder de borstel / pad-houder.
2. Naar aanleiding van de in verwante secties beschreven procedures, voer het water in oplossing tank en vuilwatertank volledig af.
3. Voltooi de dagelijks onderhoud procedures (zie het hoofdstuk over het onderhoud).
4. Bewaar de machine, waaronder de borstel / pad-houder en de zuigmond, in een schone en droge plaats. De zuigmond moet worden opgeheven of worden losgemaakt.

GEBRUIK VOOR DE EERSTE KEER

Na het gebruik van de eerste 9 uur, controleer alle onderdelen om ervoor te zorgen dat er niets is losgeraakt of beschadigd tijdens gebruik, en controleren of er geen zichtbare schade of lekkage is.

ONDERHOUD EN ZORG

De levensduur en de maximale werking veiligheid van de machine worden verzekerd door een goede en tijdige onderhoud en verzorging.

De volgende tabel geeft een algemeen onderhoudsplan aan voor de machine. De tijdsintervallen van onderhoud worden bepaald voor een groot deel door de werkomstandigheden van de machine. Deze tijdsintervallen moeten worden geformuleerd door het personeel dat verantwoordelijk is voor het onderhoud.



WAARSCHUWING!

Pas nadat de stroom van de machine wordt uitgezet moeten deze procedures worden uitgevoerd. Voordat u verder gaat met een van de onderhoudsprocedures, gelieve zorgvuldig de bijbehorende veiligheid secties bestuderen.

Alle onderhoud in het plan of alle extra onderhoud moeten worden uitgevoerd door gekwalificeerd personeel of erkende servicecentra.

Deze handleiding heeft alleen de eenvoudigste en meest voorkomende onderhoudsprocedures.

Voor andere doeleinden dan die vermeld in deze tabel van gepland onderhoud onderhoudsprocedures, verwijzen wij u naar het onderhoudsboek van het service center.

ONDERHOUDSSCHEMA

Procedure	Dagelijks, Machine na gebruik	Wekelijks	Iedere 6 maanden	Jaarlijks
Zuigmond schoonmaken				
Borstel/ pad-houder Reinigen				
Schoon water tank en vlotter filter, inspecteer de afdichtstrippen van de watertank				
Inspecteer en verander de zuigmond strip				
Clean Solution filter				
Clean Vacuum motor filter				
Inspecteer dichtheid van bouten en moeren			(1)	
Inspecteren of te wijzigen motor koolborstels van de borstel / pad-houder				(2)
Inspecteren of te wijzigen koolborstels van vacuüm motor				(2)

(1) Voorafgaand controleren.

(2) Deze onderhoudswerkzaamheden moeten worden uitgevoerd door een erkend VIPER Service Center.

ZUIGMOND REINIGING



OPMERKING

Om het optimale effect van water vacuüm te behouden, moet de zuigmond schoon worden gehouden, en de zuigmond strip moet in een goede conditie te blijven.



VOORZICHTIG!

Bij het reinigen van de zuigmond, is het raadzaam om beschermende handschoenen te dragen, omdat de zuigmond scherpe scherven kan bevatten.

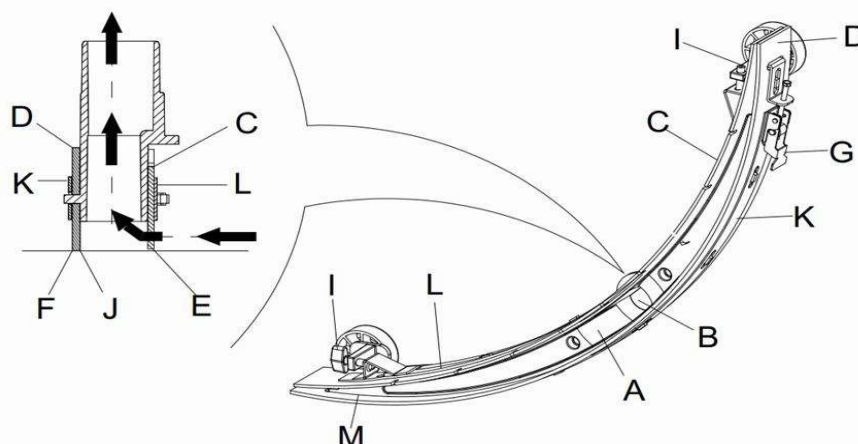
1. Verplaats de machine naar een vlak en glad oppervlak.
2. Zet de schakelaar (38) naar de "O" positie om de machine uit te schakelen.
3. Schroef de vaste handgreep (16) van de zuigmond los; verwijder de aansluiting die het herstel Vacuümbuis van de zuigmond en verwijder van de zuigmond.
4. Gebruik de zuigmond optilhandgreep (14) om de zuigmond frame op te tillen.
5. Reinig de zuigmond (**Figuur 10**). Maak in het bijzonder de groef (**A, Figuur 10**) en het vuil en fragmenten op de zuigbuis schoon. Bene-wisserblad (C) en de achterste rubberstrip (D) intact, en als er gebroken randen en scheuren zijn. Veranderen indien nodig (zie de stappen in de volgende paragraaf).
6. De zuigmond opnieuw installeren in de omgekeerde volgorde.

ZUIGMOND BLAD CONTROLEREN EN VERVANGING

1. Naar aanleiding van de methoden verteld in de vorige paragraaf reinigen van de rakel (**Figuur 10**)
2. Controleer de rand (**E, Figuur 10**) van het voorste wisserblad en de rand (F) van het achterste wisserblad (D). Op de gehele lengte, moeten zij op hetzelfde niveau zijn. Anders, pas hun hoogten via de volgende procedure aan.
 - Draai de clip (G) van de achterste wisser (D) los van de beugel (M) voor de aanpassing van de positie van de zuigmond. Na de aanpassing, blokkeer je de clip opnieuw.
 - Draai de schroef op het stuur (I) los om de voorste wisserblad aan te passen (C), draai het handvat schroef weer vast na aanpassing.
3. Controleer of de voorste wisserblad (C) en de achterste wisser (D) intact is en of er gebroken randen en scheuren zijn. Eventueel veranderen volgens de volgende manieren. Controleer de voorkant van het achterste wisserblad (J) of het is versleten. Indien versleten, kunt u hem ondersteboven (de bovenrand moet intact) installeren. Als de bovenrand ook is versleten, wijzigen door onderstaande procedure te volgen:
 - Draai de clip (G) om de druk mes van de beugel los (M) te laten, Verwijder de clip (K)om vervolgens de achterste wisser (D) ondersteboven te plaatsen. Installeer het achterste wisserblad in omgekeerde volgorde.
 - Draai het handvat schroef (I) los en verwijder de voorste clip bar (L), en verander de voorste zuigmond (C).

Installeer opnieuw van het voorste wisserblad in omgekeerde volgorde van het verwijderen.
Na het wijzigen van de wisser (of het ondersteboven installeren), het niveau van de voorste en achterste wisserbladen aanpassen in de procedures zoals hierboven beschreven.

4. Sluit de zuigbuis (11)aan naar het zuigmond.
5. Installeer de zuigmond en gebruik de knop (16) om het aan te scherpen, en sluit vervolgens het zuigbuis aan naar de zuigmond.
6. Indien nodig, pas de zuigmond door de aanpassing handwiel (20) aan (zie de procedures voor het aanpassen van de zuigmond balans).



Figuur 10

BORSTEL / POLIJST PAD REINIGING



LET OP!

Bij het schoonmaken van de borstel / pad-houder dat u beschermende handschoenen draagt.

1. Op de wijze zoals verteld in vorige paragrafen, verwijder de borstel / pad-houder.
2. Met het gebruik van water en reinigingsmiddelen, reinigt u de borstel / padhouder.
3. Controleer de volledigheid en het versleten conditie van de haren op de borstel en, indien nodig, wijzig de borstel.
4. Controleer de toestand van het dragen van de pad-houder en, indien nodig, wijzig de pad houder.

WATER TANK EN VLOTTER FILTER MESH REINIGING

1. Verplaats de machine naar een speciale stortplaats.
2. Zet de schakelaar (38) naar de "O" positie om de machine uit te schakelen.
3. Open het deksel van de vuilwatertank (A, **Figuur 11**), en verwijder de vlotter apparaat (36) van de vuilwatertank.
4. Gebruik kraanwater om vuilwatertank deksel (A), het reservoir (B en C), en de vlotter filter frame (E) te reinigen. Via de Herstel buis (15), voert u al het water uit de watertank.
5. Indien nodig, bij de symbolen "Open" en "Close" zoals weergegeven in **Figuur 11**, open de onderste klep (F) van de vlotter filter en reinig de vlotter (D), zweven filter frame (E), en de filterspons (I). Na het reinigen, repareer de vlotter op de vlotter filter frame (E), en lijn de markeer groef (L) van de onderste deksel (F) van de vlotter filter met het merk groef (L) van de vlotter filter frame (E). Draai het onderste deksel (F) van de vlotter filter strak vast, en bevestig het filter spons (I) op de vlotter filter frame (E), en vervolgens naar de zuigbuis (M).
6. Controleer de deugdelijkheid van de afdichtring (G) van het water tank deksel.

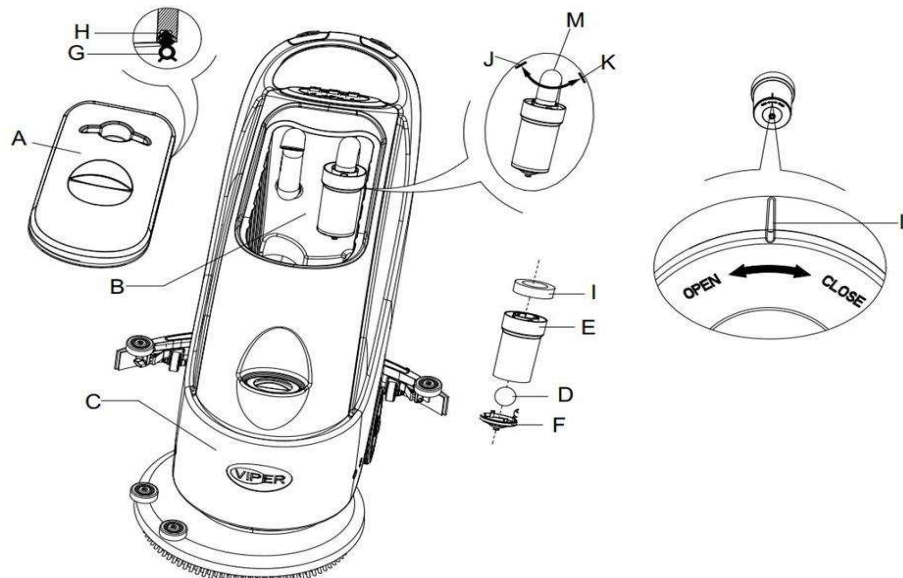


OPMERKING

De afdichtstrip (G) van de watertank creëren een vacuüm. Het moet volledig worden afgedicht om het afvalwater van de vloer effectief te kunnen zuigen.

Indien nodig kan de afdichtstrip van de water tank (G) op de groef (H) worden genomen en veranderd. Bij het samenstellen van een nieuwe watertank afdichtstrip, zoals weergegeven in **Figuur 11** hieronder, installeer de connector aan het middelste gedeelte van het achterste gedeelte.

7. Controleer of het ontvangende oppervlaktewater van de afdichtstrip (G) intact is en adequaat is afgesloten.
8. Sluit deksel van de vuilwatertank (A).



Figuur 11

OPLOSSING FILTER REINIGING

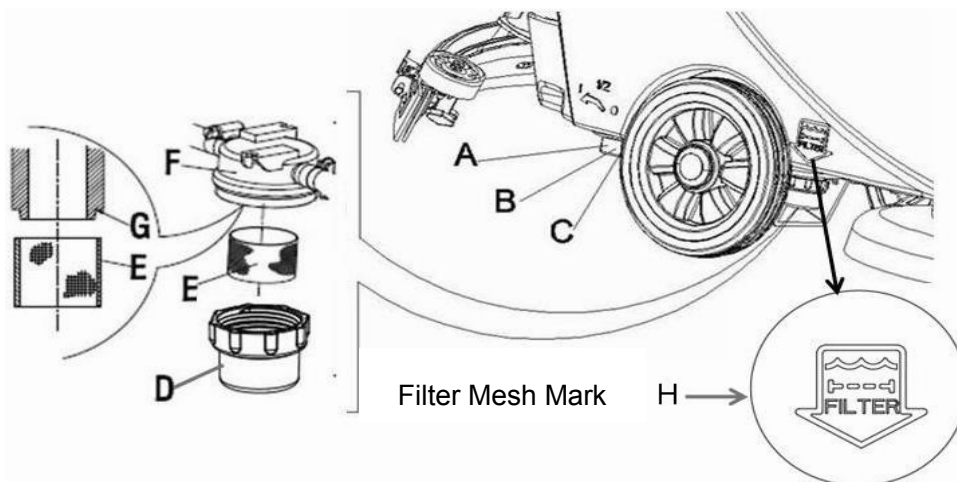
1. Tap al het water uit Solution tank in de weg zoals geïntroduceerd in gerelateerde secties.
2. Verplaats de machine naar een vlak en glad terrein.
3. Zet de schakelaar (38) naar de "O" positie om de machine uit te schakelen.
4. Schakel de drainerende kogelklep (A, Figuur 12) (aan de onderkant van de machine, achter de wielen). Positie B kogelkraan geopend, en de positie C kogelkraan gesloten.
5. Verwijder het transparante deksel (D), en neem vervolgens het filter (E), en installeer ze op de filterkast (F) na het schoonmaken.



OPMERKING

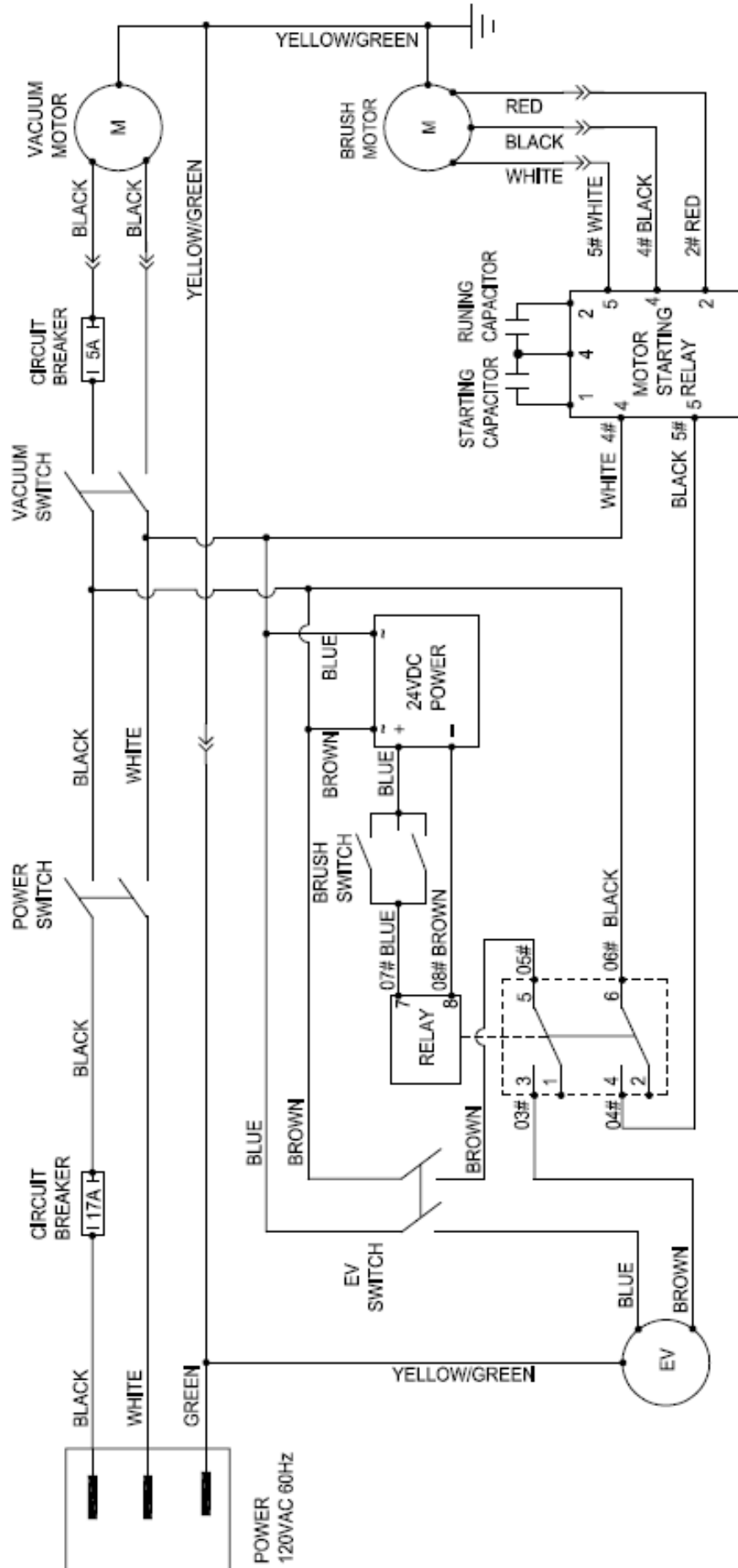
Het filter (E) moet nauwkeurig worden geïnstalleerd op de positie van het uitsteeksel (G).

6. Open het aftappen kogelkraan (A).



Figuur 12

CIRCUIT FIGUUR VAN AS430C EN AS510C



PROBLEEMOPLOSSING

Breakdown	Probable Causes	Remedies
Machine werkt niet	De bedrading is niet correct aangesloten of slechte bedrading	Controleer de bedrading of maak contact met een Viper Distributeur
	Slechte borstelmotor	Maak contact met een Viper Distributeur
	Koolborstels is versleten	Maak contact met een Viper Distributeur
Vacuum motor werkt niet	De bedrading is niet correct aangesloten of slechte bedrading	Controleer de bedrading of maak contact met een Viper Distributeur
	Slechte vacuüm motor	Maak contact met een Viper Distributeur
	Koolborstels is versleten	Maak contact met een Viper Distributeur
Weinig of geen oplossing stroom	Slechte kogelkraan	Maak contact met een Viper Distributeur
	Slechte oplossing ventiel	Maak contact met een Viper Distributeur
	Kogelkraan positie moet worden afgesteld	Wanneer kogelkraan horizontaal is, en de hoeveelheid vloeistof toevoer maximaal is
	Filter is vuil	Reinig de filter
onvoldoende Vacuum	Afvalwater tank vol is.	Watertank aftappen
	Vacuümbuis voor afval en zuigmond zijn niet correct aangesloten	Sluit de vacuüm buis aan voor afval en de zuigmond
	Vlotter filter geblokkeerd of inlaat geblokkeerd	Reinig de vlotter filter, controleer de vlotter
	Zuigmond is vuil of rakelblad is versleten en beschadigd	Reinig en controleer de zuigmond
	Vuilwatertank deksel niet goed aangezet, of de afdichtstrip van het waterreservoir is beschadigd	Monteer het deksel goed, of verander het waterreservoir afdichtstrip
Zuigmond laat sporen achter	Puin zoals fragmenten onder het rakelblad	Verwijder de fragmenten
	Rakelblad is al versleten, gebarsten, bros..	Verander het rakelblad
	Balans van de zuigmond niet aangepast	Balans aanpassen

MACHINE VERWIJDEREN

Gebruik gekwalificeerde verpletterende machine om deze machine te vernietigen.

Voordat dit apparaat wordt vernietigt, neem afstand en scheid de volgende materialen, die volgens relevante wet en regelgeving, moet goed worden verwerkt.

- Borstel/pad-houder
- Plastic slangen en kunststof onderdelen
- Elektrische en elektronische componenten (*)

(*):Neem contact op met het dichtstbijzijnde VIPER Center (vooral wanneer sloop van elektrische en elektronische componenten zijn vereist).

INDICE

INTRODUZIONE	60
CONTENUTO DEL MANUALE	60
SCOPO	60
PEZZI DI RICAMBIO E MANUTENZIONE	60
MODIFICHE E MIGLIORAMENTI	60
SCOPO DELL'APPARECCHIO	60
APERTURA DELLA CONFEZIONE/TRASPORTO	60
DISPOSIZIONI DI SICUREZZA GENERALI	61
DATI TECNICI	62
DESCRIZIONE DELL'APPARECCHIO	62
MACHINE STRUCTURE	62
PANNELLO DI CONTROLLO	63
GUIDA D'USO	64
PRIMA DI AVVIARE L'APPARECCHIO	64
INSTALLARE E DISINSTALLARE LA SPAZZOLA / CUSCINETTO	64
REGOLAZIONE DEL BILANCIAMENTO DEL TERGIPAVIMENTO	64
REGOLAZIONE DEL FLUSSO D'ACQUA	65
ACCENDERE E SPEGNERE L'APPARECCHIO	65
FUNZIONAMENTO (LAVAGGIO E ASCIUGATURA)	66
SVUOTARE IL SERBATOIO	66
DOPO AVER UTILIZZATO L'APPARECCHIO	67
USARE L'APPARECCHIO PER LA PRIMA VOLTA	67
CURA E MANUTENZIONE	67
TABELLA DI MANUTENZIONE PIANIFICATA	68
PULIZIA DEL TERGIPAVIMENTO	68
VERIFICA E SOSTITUZIONE DELLA LAMA DEL TERGIPAVIMENTO	68
PULITURA DI SPAZZOLA/CUSCINETTO	69
PULITURA DEL SERBATOIO E DEL FILTRO DEL GALLEGGIANTE	69
PULIZIA DEL FILTRO DI SOLUZIONE	70
SCHEMA DI CIRCUITO PER AS430C E AS510C	71
RISOLUZIONE DEI PROBLEMI	72
SMALTIMENTO DELL'APPARECCHIO	72

INTRODUZIONE



NOTA: I numeri tra parentesi si riferiscono ai relativi componenti indicati nella sezione della Descrizione dell'Apparecchio.

CONTENUTO DEL MANUALE

Questo manuale ha lo scopo di fornire all'utente le necessarie informazioni per utilizzare l'apparecchio in modo corretto e sicuro. Le informazioni includono dati tecnici, sicurezza, utilizzo, conservazione, manutenzione e smaltimento dell'apparecchio. L'operatore e i tecnici in possesso delle qualifiche richieste sono pregati di leggere questo manuale con attenzione prima di cominciare a utilizzare o prima di intervenire sull'apparecchio. Si prega di contattare la VIPER per qualsiasi richiesta di spiegazione circa il contenuto di questo manuale o nel caso in cui si necessiti di ulteriori chiarimenti.

SCOPO

Scopo di questo manuale è quello di consentire all'operatore e ai tecnici qualificati di provvedere alla manutenzione dell'apparecchio.

L'operatore non deve compiere quelle operazioni che dovrebbero essere eseguite solo da tecnici qualificati. La VIPER non si ritiene responsabile di eventuali danni causati dalla violazione di tale norma.

PEZZI DI RICAMBIO E MANUTENZIONE

Tutte le necessarie procedure di funzionamento, manutenzione e riparazione devono essere eseguite da personale qualificato o dai servizi di assistenza della VIPER.

Dovrebbero essere utilizzati solo pezzi di ricambio e accessori autorizzati.

Se si ha bisogno di far riparare o di ordinare pezzi di ricambio o accessori, si prega di contattare la VIPER comunicando il modello dell'apparecchio e il numero di serie.

MODIFICHE E MIGLIORAMENTI

VIPER si impegna ad un continuo miglioramento dei suoi prodotti. VIPER si riserva il diritto di modificare e migliorare l'apparecchio, così come il diritto di decidere da sola se i benefici apportati da tali modifiche sono apportabili anche ai prodotti già venduti. Tutti i cambiamenti o gli accessori extra devono essere autorizzati da VIPER ed essere realizzati dalla compagnia.

SCOPO DELL'APPARECCHIO

Questo lavasciuga è utilizzato in ambienti domestici e industriali, ed è adatto a pulire pavimenti lisci e duri (pulitura e raccolta di acqua di scarico). Deve essere utilizzato da operatori qualificati e in ambienti sicuri. Questo lavasciuga non deve essere utilizzato per la pulizia di esterni, di tappeti o di pavimentazioni dissestate.

APERTURA DELLA CONFEZIONE/TRASPORTE

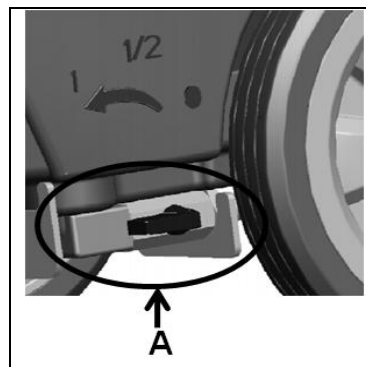
Si prega di seguire con attenzione le istruzioni indicate sulla confezione, quando la si apre.

All'atto della consegna, si prega di ispezionare il confezionamento e l'apparecchio per assicurarsi che nessun danno sia stato arrecato durante il trasporto. Se vi sono danni visibili, si prega di tenerlo nella forma originale, chiedere al corriere la conferma e compilare una lista dei danni per il rimborso.



— ATTENZIONE

Durante l'apertura della confezione e lo scaricamento, o durante lo spostamento dell'apparecchio su un terreno con gradini, si prega di aver cura di evitare di urtare l'interruttore on/off che regola il flusso dell'acqua, Parte A nell'immagine a destra.



Verificare che l'apparecchio sia fornito insieme ai seguenti oggetti:

Documenti Tecnici

— Manuale d'uso del Lavasciuga

DISPOSIZIONI DI SICUREZZA GENERALI

Di seguito sono riportate avvertenze speciali e segnalazioni circa potenziali danni (alle persone e all'apparecchio):



AVVERTENZA!

- L'Apparecchio può essere utilizzato solo secondo le istruzioni fornite in questo manuale. Dovrebbero essere utilizzati solo accessori approvati dalla VIPER.
- Questo apparecchio dovrebbe essere utilizzato solo da personale debitamente addestrato o autorizzato. Bambini o persone inadeguate non devono utilizzare questo apparecchio.
- Quando si lavora in prossimità di parti elettriche, si prega di non indossare alcun gioiello. Si prega di prendere le necessarie misure precauzionali per evitare che capelli, gioielli e lembi o frange di abiti possano venire catturati dalle parti mobili dell'apparecchio.
- Si prega di non utilizzare l'apparecchio in zone particolarmente sporche. Non lavare l'apparecchio direttamente con acqua. Fare in modo che l'apparecchio non venga a contatto con liquidi corrosivi.
- La temperatura dell'ambiente di conservazione e di utilizzo dell'apparecchio deve essere compresa tra 0 - 40°C.
- L'umidità dell'aria deve essere compresa tra 30% - 105%.
- Si prega di non utilizzare l'apparecchio su un pendio di pendenza superiore al 2%.
- In caso di incendio, si prega di usare estintori a polvere. Non usare estintori liquidi.
- Particolare attenzione dovrebbe essere prestata quando l'apparecchio viene trasportato sotto gli 0°C. Il serbatoio dell'acqua e l'acqua negli ugelli potrebbe congelare e causare gravi danni all'apparecchio.
- Utilizzare spazzole e cuscinetti forniti insieme all'apparecchio e quelli specificati nel Manuale d'Uso. Usare altre spazzole o cuscinetti potrebbe ridurre la sicurezza.
- Nel caso di malfunzionamento dell'apparecchio, si prega di verificare che ciò non sia causato da carenza di manutenzione. Se è causata da altre condizioni, si prega di ricorrere all'assistenza di personale autorizzato o al servizio di assistenza clienti.
- Se viene confermato che alcuni pezzi devono essere sostituiti, si prega di verificare che i pezzi di ricambio provengano da rivenditori o agenti autorizzati.
- Al fine di garantire un sicuro e corretto utilizzo dell'apparecchio, si prega di fare in modo che il personale autorizzato o il servizio di assistenza eseguano la manutenzione programmata secondo il programma di manutenzione riportato nella relativa sezione di questo manuale.
- Questo apparecchio deve essere correttamente smaltito in quanto potrebbe contenere sostanze velenose e pericolose, e queste sostanze devono essere smaltite in centri speciali, nel rispetto delle leggi e delle disposizioni in materia (si prega di consultare la sezione relativa allo smaltimento, in questo manuale).

DATI TECNICI

Modello	AS430C	AS510C
Altezza dell'apparecchio	980mm	
Capacità del serbatoio della soluzione	50 litri	
Capacità del serbatoio di raccolta	50 litri	
Diametro della ruota di trasporto	200mm	
Diametro della ruota di guida	63.5mm	
Potenza del motore di aspirazione	400w	
Massima pendenza di utilizzo	2%(Max)	
Livello pressione sonora in fase operativa	72dB(A) ±3dB(A)	
Lunghezza del cavo	20m	
Capacità del circuito di aspirazione	1200 mm H ₂ O	
Area di pulitura	430mm	510mm
Larghezza tergipavimento	730mm	790mm
Massima lunghezza dell'apparecchio	1060mm	1100mm
Larghezza senza tergipavimento	480mm	540mm
Diametro della spazzola	430mm	510mm
Peso con i serbatoi vuoti	70kg	74kg
Peso lordo della macchina pronta per l'uso	120kg	124kg
Potenza del motore della spazzola	750W	
Velocità della spazzola	150rpm	
Massima pressione spazzola/cuscinetto	32kg (Max)	35kg(Max)
Dimensioni della confezione (Lu x La x H)	1200 x 610 x 1170mm	

DESCRIZIONE DELL'APPARECCHIO**MACHINE STRUCTURE**

- | | |
|---|--|
| 1. Interruttore di sicurezza | 20. Manopola di regolazione tergipavimento |
| 2. Manubrio | 21. Telaio di supporto posteriore tergipavimento |
| 3. Pannello di Controllo | 22. Telaio di supporto anteriore tergipavimento |
| 4. Piastra numero di serie/dati tecnici /certificazione di conformità | 23. Portabicchiere |
| 5. Coperchio del Controllo | 24. Maniglia coperchio Serbatoio di raccolta |
| 6. N/A | 25. Coperchio del Serbatoio di raccolta |
| 7. N/A | 26. Serbatoio |
| 8. Interruttore di ripristino | 27. Coperchio del vano di ingresso acqua |
| 9. Cavo di alimentazione | 28. Ponte della spazzola |
| 10. Coperchio della batteria | 29. Spazzola / cuscinetto |
| 11. Tubo aspirapolvere | 30. Motore di aspirazione |
| 12. Cavo direzionale del tergipavimento | 31. Motore della spazzola |
| 13. N/A | 32. Ruota 8" |
| 14. Maniglia di sollevamento tergipavimento | 33. N/A |
| 15. Tubo di drenaggio | 34. Tubo di aspirazione |
| 16. Pomo di fissaggio del tergipavimento | 35. Quadro elettrico |
| 17. Gancio del tergipavimento | 36. Filtro galleggiante |
| 18. Spatola del tergipavimento | 37. Tubetto di livello d'acqua (indica la quantità di acqua nel serbatoio della Soluzione) |
| 19. Telaio di supporto del tergipavimento | |

RAFFIGURAZIONI DELLA STRUTTURA DELL'APPARECCHIO

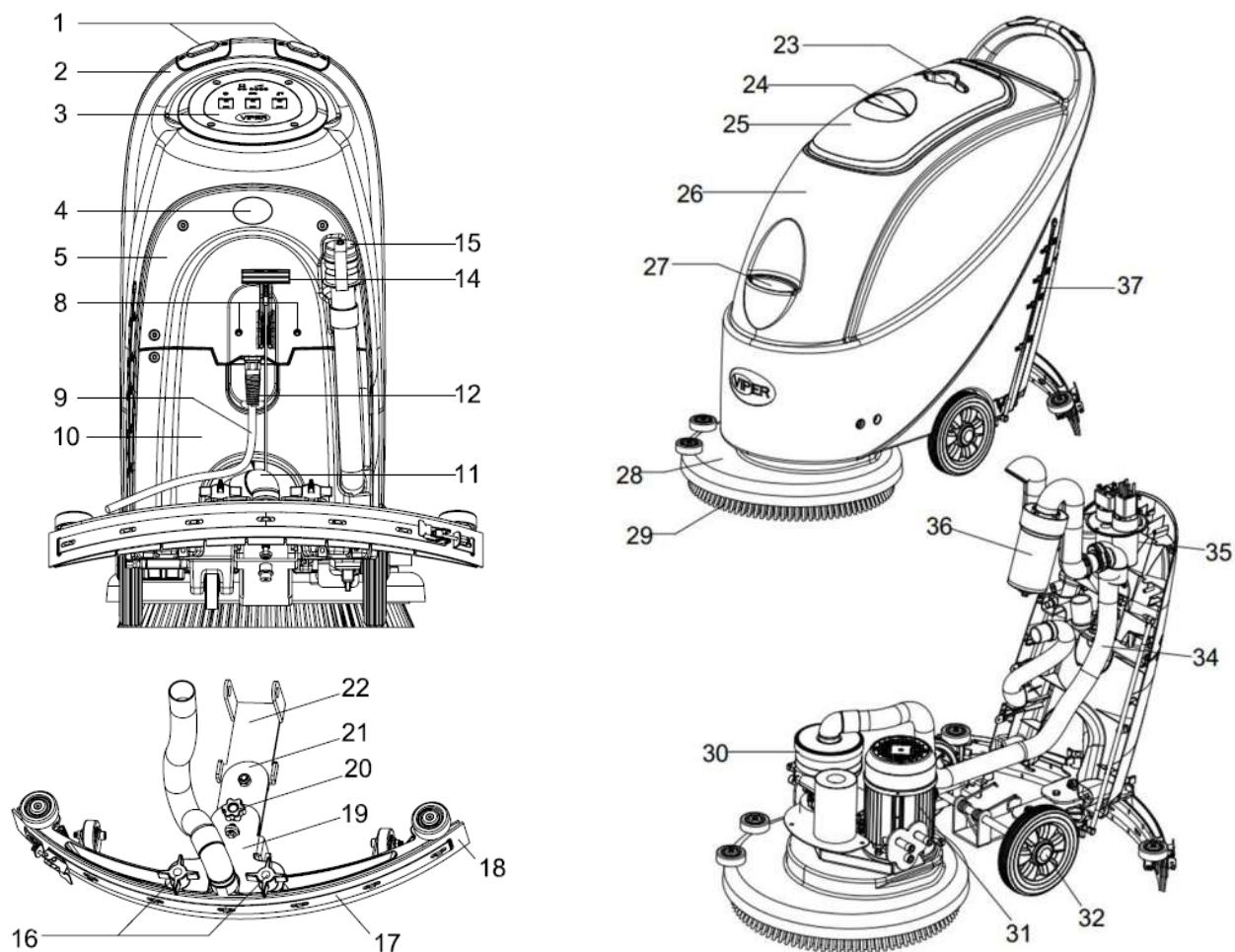


Figura 1

PANNELLO DI CONTROLLO (Figura 2)

- 38. Interruttore
- 39. Interruttore dell'aspiratore
- 40. Interruttore elettrovalvola

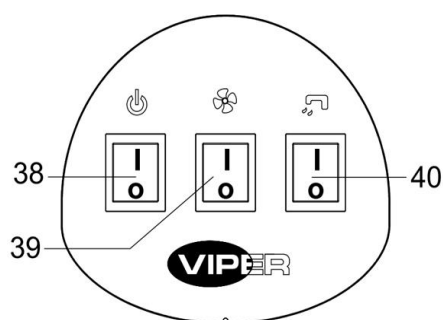


Figura 2

GUIDA D'USO



AVVERTENZA

Su alcune parti dell'apparecchio sono incollate etichette con indicazioni di:

- PERICOLO
- AVVERTENZA
- ATTENZIONE
- CONSULTAZIONE

Durante la lettura del manuale, l'operatore deve prestare particolare attenzione ai simboli su queste etichette. In nessuna circostanza queste etichette devono essere coperte. Se sono danneggiate, si prega di sostituirle immediatamente.

PRIMA DI AVVIARE L'APPARECCHIO

INSTALLARE E DISINSTALLARE LA SPAZZOLA / CUSCINETTO



NOTA

A seconda del tipo di pavimento da pulire, sull'apparecchio si può installare spazzola (Figura 3, A), o cuscinetto (Figura 3, B e C).



ATTENZIONE !

Durante l'installazione o la disinstallazione di spazzola/cuscinetto, accertarsi prima che tutti gli interruttori siano in posizione off e sollevare il tergipavimento dal suolo; solo dopo spazzola o cuscinetto possono essere montati. Inoltre, si prega di mettere dei guanti per evitare di essere tagliati dai frammenti.

1. (Applicabile solo a **AS430C** e **AS510C**): assicurarsi che il cavo di alimentazione (9) sia staccato dalla presa di alimentazione power supply e che l'interruttore (38) sia in posizione di (O) spento.
2. Premere in basso il manubrio (2) per alzare il serbatoio (26).
3. Mettere spazzola (A) o cuscinetto (B – C) in sede .
4. Usare il manubrio (2) per abbassare il serbatoio (26) a contatto con spazzola o cuscinetto.
5. Per installare spazzola/cuscinetto automaticamente, mettere l'interruttore (38) in posizione "I" e premere l'interruttore di sicurezza (1). Spingere gentilmente in avanti l'apparecchio per permettere alla ruota di trasporto sul fondo del serbatoio di allinearsi con spazzola o cuscinetto che possono così essere installati. Quindi rilasciare l'interruttore di sicurezza. Se occorre, ripetere la procedura fino all'installazione di spazzola/cuscinetto.
6. Se il Passo 5 risulta difficile, usare il metodo manuale seguendo la freccia (D) per installare spazzola / cuscinetto (come mostrato nella **Figura 3**).
7. Per disinstallare automaticamente spazzola/cuscinetto, mettere l'interruttore (38) in posizione "O". Reggere il manubrio, e premere l'apparecchio verso il basso finché la ruota di guida tocca il pavimento e spazzola/cuscinetto siano sospesi in aria. Mettere l'interruttore (38) in posizione "I" e premere l'interruttore di sicurezza per far sì che spazzola o cuscinetto ruotino fino a che spazzola e cuscinetto non cadono al suolo.
8. Se il Passo 7 risulta difficile, usare il metodo manuale, ruotando spazzola/cuscinetto in direzione opposta a quella della normale rotazione così che si stacchi (come mostrato nella **Figura 3**)

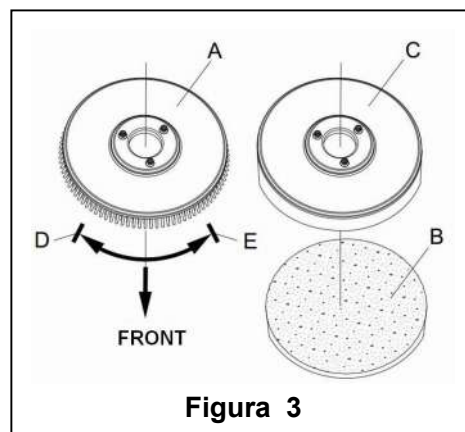


Figura 3

REGOLAZIONE DEL BILANCIAMENTO DEL TERGIPAVIMENTO

9. Installare il tergipavimento e fissarlo avvitando la manopola (16). Quindi collegare il tubo di drenaggio (11) al tergipavimento.
10. Regolare il tergipavimento per mezzo della manopola di regolazione (A) del tergipavimento (vd. **Figura 4**).

- 1) Se la sezione mediana della lama posteriore del tergipavimento, sezione B, non poggia sul pavimento o la pressione esercitata è piuttosto leggera, regolare la manopola in senso antiorario finché l'intera lunghezza della lama posteriore del tergipavimento non tocca bene il suolo. La lama frontale dovrebbe toccare il suolo leggermente.
- 2) Se le due estremità della lama posteriore del tergipavimento, sezioni C e D, non poggiano al pavimento o la pressione esercitata è piuttosto leggera, regolare la manopola in senso orario finché l'intera lunghezza della lama posteriore del tergipavimento non tocca bene il suolo. La lama frontale del tergipavimento dovrebbe toccare il suolo leggermente.

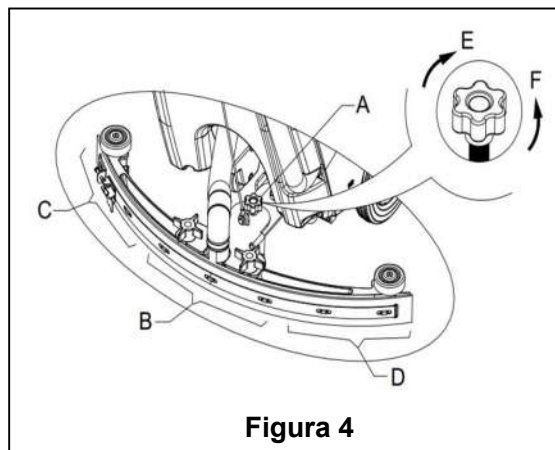


Figura 4

Riempimento del serbatoio della soluzione



ATTENZIONE !

Utilizzare solo detersivi a bassa quantità di schiuma, non infiammabili. Tali detersivi devono essere adatti all'utilizzo con lavasciuga.

11. Aprire il coperchio del vano di ingresso dell'acqua (27) e aggiungere acqua nel serbatoio, facendo attenzione a non riempirlo troppo. Riempire fino a raggiungere il bordo del filtro nel vano di ingresso dell'acqua. Nella preparazione della soluzione di lavaggio, si prega di rispettare le dosi indicate dal produttore del detersivo e di verificare che la temperatura dell'acqua non sia superiore ai 40°C.

REGOLAZIONE DEL FLUSSO D'ACQUA



AVVERTENZA !

La regolazione della manopola della valvola di flusso (A, Figura 5) deve essere fatta quando l'interruttore (38) è in posizione "O".

12. il volume del flusso d'acqua può essere regolato per mezzo della manopola della valvola di flusso (A, Figura 5) in base alla quantità d'acqua effettivamente necessaria alla pulizia del pavimento.

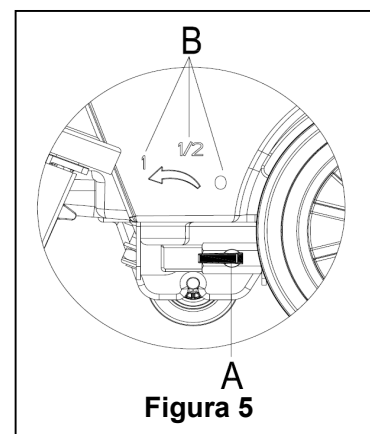


Figura 5

ACCENDERE E SPEGNERE L'APPARECCHIO

Accendere l'apparecchio

1. Completare le fasi preparatorie come precedentemente illustrato.
2. Collegare il cavo di alimentazione (9) ad una presa di alimentazione di voltaggio corrispondente , e premere l'interruttore (38) in posizione "I".
3. Utilizzare la maniglia di sollevamento del tergipavimento (14) per abbassare il tergipavimento.
4. Premere l'interruttore dell'aspiratore (39) in posizione "I".
5. Premere l'interruttore per il controllo del diffusore d'acqua (40) in posizione "I". (Operare contemporaneamente con l'interruttore di sicurezza (1) per controllare il funzionamento dell'elettrovalvola.)
6. Tenere premuto l'interruttore di sicurezza (1) e spingere per muovere l'apparecchio. La spazzola (29) comincia a ruotare, e l'apparecchio inizia il proprio lavoro di pulizia.



CONSULTAZIONE: Modo per spingere l'apparecchio
Una delle caratteristiche dell'apparecchio è l'installazione di due interruttori di sicurezza su entrambi i lati del manubrio. Ogni interruttore è in grado di controllare il funzionamento della spazzola in modo indipendente. Durante l'uso, ciò facilita il controllo del funzionamento dell'apparecchio. Per esperienza, il metodo per spostare la macchina mostrato a destra nella Figura 6 è il più efficace, l'utente si sente più a proprio agio con le mani e si riduce l'affaticamento. Gli utenti sono pertanto invitati a utilizzare questa modalità.

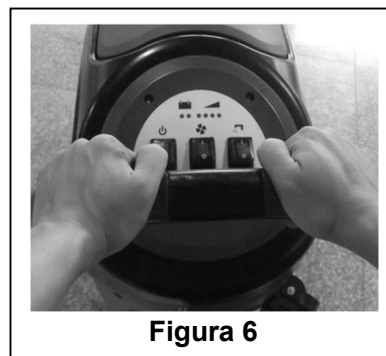


Figura 6

Spegnere l'apparecchio

7. Quando avete terminato di usare l'apparecchio, per prima cosa staccare la spazzola/coscinetto (far riferimento ai relativi passi illustrati nella sezione circa l'installazione e disinstallazione di spazzola/cuscinetto)
8. Rilasciare l'interruttore di sicurezza (1) per interrompere la spazzola/cuscinetto e l'elettrovalvola.
9. Premere l'interruttore dell'aspiratore (39) in posizione "O"; l'aspiratore ritarderà di 5 secondi prima di interrompersi.
10. Premere l'interruttore di controllo del diffusore d'acqua (40) in posizione "O" per interrompere completamente il funzionamento dell'elettrovalvola.
11. Premere l'interruttore (38) in posizione "O" e disonnettare il cavo di alimentazione dalla presa di alimentazione.
12. Usare la maniglia di sollevamento del tergilavaggio (14) per sollevare il tergilavaggio.
13. Afferrare il manubrio (2) e gentilmente rovesciare all'indietro l'apparecchio finché la ruota di guida (B) non tocca il pavimento. Vd. **Figura 7**.

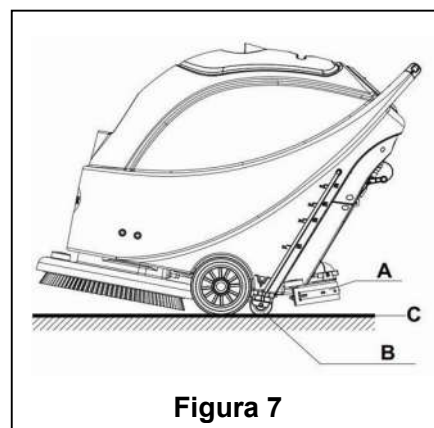


Figura 7

FUNZIONAMENTO (LAVAGGIO E ASCIUGATURA)

1. Avviare l'apparecchio come descritto sopra.
2. Tenere premuto l'interruttore di sicurezza (1) (nel modo illustrato nella **Figura 6**), spingere per muovere l'apparecchio e iniziare il lavoro di pulitura.
3. Se necessario, spegnere l'apparecchio e regolare la manopola di regolazione del tergilavaggio. (Far riferimento ai passi di regolazione del bilanciamento del tergilavaggio)
4. Se necessario, spegnere l'apparecchio e regolare il volume di flusso dell'acqua mediante la manopola dell'elettrovalvola. (Far riferimento ai passi di regolazione del volume del flusso d'acqua)



ATTENZIONE!

Per evitare di danneggiare il pavimento, quando l'apparecchio sta fermo in un luogo senza muoversi, si prega di spegnere l'interruttore di alimentazione (38).

SVUOTARE IL SERBATOIO

Quando il serbatoio di raccolta è pieno, il galleggiante del dispositivo del filtro galleggiante (36) bloccherà l'ingresso di collegamento all'aspiratore. Se si verifica un improvviso aumento della rumorosità di aspirazione, significa che l'aspiratore è già sovraccarico e che è necessario svuotare immediatamente il serbatoio di raccolta.



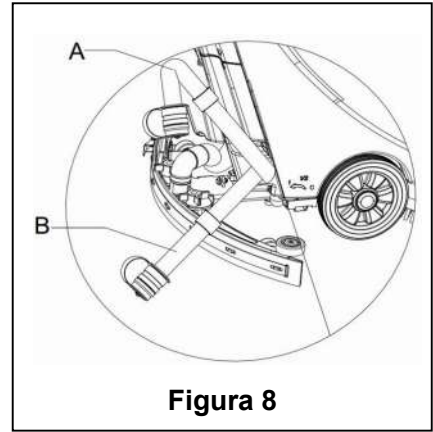
ATTENZIONE!

Se l'aspiratore si spegne improvvisamente (per es. per il fatto che un movimento improvviso dell'apparecchio provoca un attivarsi del galleggiante), e se si richiede una riaccensione da parte dell'operatore, si prega di mettere in atto i seguenti passi: premere gli interruttori (38 e 39) per interrompere l'alimentazione e l'aspirazione, e aprire il coperchio del serbatoio di raccolta (25) per verificare che il galleggiante del filtro sia tornato in superficie. Quindi chiudere il coperchio del serbatoio di raccolta (25), e premere gli interruttori (38 e 39) per ristabilire alimentazione e aspirazione.

Quando il serbatoio di raccolta è pieno, seguire i seguenti passi per svuotarlo completamente.

Svuotare il serbatoio di raccolta

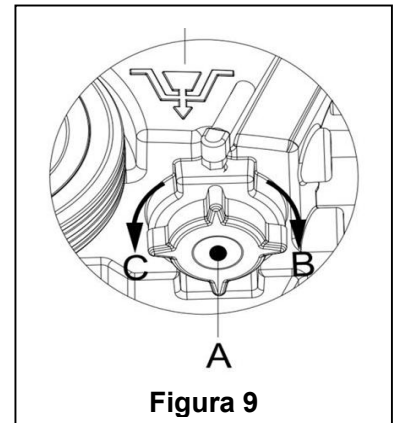
1. Spegner l'apparecchio.
2. Utilizzando l'apposita manopola (14), sollevare il tergipavimento.
3. Spostare l'apparecchio in un apposito luogo di scarico.
4. Afferrare il manubrio (2) e far gentilmente inclinare l'apparecchio all'indietro finché la ruota di guida non tocca il pavimento. (Per l'inclinazione dell'apparecchio si prega di far riferimento alle procedure nella sezione dello spegnimento dell'apparecchio.)
5. Estrarre il tubo di drenaggio dal gancio di fissaggio, piegare l'estremità del tubo di drenaggio (come mostrato in **A, Figura 8**), quindi aprire il coperchio del tubo di drenaggio, abbassare il tubo di drenaggio ad un livello inferiore o al suolo per far uscire l'acqua. In alternativa, posizionare direttamente il tubo ad un livello inferiore o al suolo per far sì che lo scarico dell'acqua sia volto verso il basso (come mostrato in **B, Figura 8**), e quindi svitare il coperchio del tubo per far uscire l'acqua dal serbatoio. Quando il drenaggio è completo, sciacquare l'interno del serbatoio con acqua pulita.

**Figura 8****ATTENZIONE!**

Durante il drenaggio, il tubo di scarico deve essere piegato o abbassato ad un livello inferiore (come mostrato nella Figura 8 A o B), e quindi aprire il coperchietto del tubo di drenaggio per farne uscire l'acqua. Fare attenzione che il tubo di drenaggio non sia rivolto verso l'alto per farne uscire l'acqua verticalmente. Ciò per evitare che l'acqua di scarico si riversi addosso all'operatore.

Svuotare il serbatoio della soluzione

6. Completare i passi da 1 a 4.
7. Come mostrato nella **Figura 9**, aprire il coperchio del Serbatoio della Soluzione (A) in senso antiorario lungo la direzione C, e svuotare il serbatoio della soluzione completamente. Sciacquare l'interno del serbatoio della soluzione con acqua pulita. Quando l'operazione è completata, stringere bene il coperchio del serbatoio della soluzione (A) in senso orario in direzione B.

**Figura 9****DOPO AVER UTILIZZATO L'APPARECCHIO**

A lavoro ultimato e prima di riporre l'apparecchio, completare i seguenti passi:

1. Seguire il procedimento descritto nella sezione precedente di installazione e disinstallazione di spazzola/cuscinetto, e togliere spazzola/cuscinetto.
2. Seguendo i procedimenti descritti nelle relative sezioni, svuotare completamente l'acqua dai serbatoi della soluzione e di raccolta.
3. Completare le procedure di manutenzione quotidiana (far riferimento alla sezione di manutenzione).
4. Riporre l'apparecchio, inclusi spazzola/cuscinetto e tergipavimento, in un luogo pulito e asciutto. Il tergipavimento dovrebbe essere sollevato e staccato.

USARE L'APPARECCHIO PER LA PRIMA VOLTA

Dopo aver usato l'apparecchio per le prime 9 ore, verificare tutti i componenti per assicurarsi che non si siano allentati o danneggiati durante il funzionamento, e verificare eventuali danni o perdite.

CURA E MANUTENZIONE

La durata e la sicurezza di massima operatività dell'apparecchio sono garantite da un'appropriata e costante cura e manutenzione.

La seguente tabella fornisce un generale piano di manutenzione. Gli intervalli di tempo sono determinati per lo più dalle condizioni di utilizzo dell'apparecchio. Tali intervalli dovrebbero essere stabiliti dal personale responsabile della manutenzione.

**AVVERTENZA!**

Queste procedure dovrebbero essere messe in atto solo dopo che l'interruttore dell'apparecchio è stato disattivato. Prima di procedere ad una qualsiasi di tali

procedure di manutenzione si prega di studiare con attenzione le relative sezioni di sicurezza.

Tutte le procedure di manutenzione indicate nel piano e aggiuntive devono essere messe a punto da personale qualificato o da un centro di assistenza autorizzato.

Questo manuale indica solo le più semplici e comuni procedure di manutenzione. Per qualsiasi altra procedura di manutenzione pianificata oltre a quelle indicate in tabella, si prega di far riferimento al manuale di manutenzione del centro di servizi di assistenza.

TABELLA DI MANUTENZIONE PIANIFICATA

Procedura	Quotidiana dopo l'utilizzo	Settimanale	Ogni 6 mesi	Annuale
Pulire il tergipavimento				
Pulire spazzola/cuscinetto				
Pulire serbatoio e filtro del galleggiante, ispezionare i sigilli del serbatoio dell'acqua				
Ispezionare e cambiare le strisce del tergipavimento				
Pulire il filtro della soluzione				
Pulire il filtro del motore				
Ispezionare la tenuta di viti e bulloni			(1)	
Ispezionare o cambiare la spazzola di carbone del motore di spazzola/cuscinetto				(2)
Ispezionare o cambiare la spazzola di carbone della pompa del motore				(2)

(1) Dovrebbe essere fatto 9 ore dopo che l'apparecchio ha cominciato a funzionare.

(2) Queste procedure di manutenzione devono essere compiute da un Centro di Servizio autorizzato VIPER.

PULIZIA DEL TERGIPAVIMENTO



NOTA

Al fine di mantenere prestazioni ottimali dell'aspiratore, il tergipavimento deve essere tenuto pulito, e la lama del tergipavimento deve restare in buone condizioni.



ATTENZIONE !

Durante la pulizia del tergipavimento, si raccomanda di indossare guanti protettivi poiché il tergipavimento potrebbe contenere frammenti acuminati.

1. Spostare l'apparecchio su una superficie piatta e uniforme.
2. Premere l'interruttore (38) in posizione "O" per spegnere l'apparecchio.
3. Svitare il pomo di fissaggio (16) del tergipavimento; staccare il connettore che collega il tubo di drenaggio del tergipavimento, e staccare il tergipavimento.
4. Usare la manopola di sollevamento del tergipavimento (14) per sollevare il telaio di supporto del tergipavimento.
5. Pulire il tergipavimento (**Figura 10**). Pulire in particolare la scanalatura (**A, Figura 10**) e rimuovere sporcizia e frammenti dal tubo di aspirazione. Verificare che la lama frontale del tergipavimento (C) e la lama posteriore del tergipavimento (D) siano intatte, e se ci sono bordi incrinati o fessure. Cambiarli se necessario (fare riferimento ai passi nella sezione successiva).
6. Re-installare il tergipavimento in ordine inverso a quello illustrato sopra.

VERIFICA E SOSTITUZIONE DELLA LAMA DEL TERGIPAVIMENTO

1. Seguire le modalità riportate nella sezione precedente per pulire il tergipavimento (**Figura 10**).
2. Verificare il bordo (**E, Figura 10**) della lama frontale del tergipavimento e il bordo (F) della lama posteriore del tergipavimento (D). Lungo l'intera lunghezza, dovrebbero essere allo stesso livello. Altrimenti, regolarne le altezze attraverso la seguente procedura.
 - Aprire il gancio (G) per far sì che la lama posteriore (D) si stacchi dal supporto (M) per la regolazione della posizione del tergipavimento. Quindi bloccare di nuovo il gancio.
 - Allentare la manopola (I) per regolare la lama anteriore (C); stringerla dopo la regolazione.
3. Verificare se la lama frontale (C) e la lama posteriore del tergipavimento (D) sono intatte e se vi sono incrinature o fessure. Se necessario, cambiarle nel seguente modo. Verificare se il bordo

frontale della lama posteriore (J) è usurato. Se usurato, può essere installato capovolto (il bordo superiore deve essere intatto). Se anche il bordo superiore è usurato, sostituirlo seguendo la procedura qui di seguito:

- Allentare il gancio (G) per far sì che la lama di pressione si separi dalla staffa (M), togliere la barra di aggancio (K), quindi cambiare o capovolgere la lama posteriore (D) del tergipavimento. Re-installare la lama posteriore in ordine opposto a quello della rimozione.
 - Allentare la manopola (I) e staccare la barra di aggancio (L), quindi cambiare la lama frontale (C). Re-installare la lama frontale in ordine opposto a quello della rimozione. Dopo aver cambiato la lama (o averla capovolta), regolare il livello delle lame frontale e posteriore seguendo le procedure come descritto sopra.
4. Collegare il tubo di aspirazione (11) al tergipavimento.
 5. Installare il tergipavimento e usare la manopola (16) per stringerlo, quindi collegare il tubo di aspirazione al tergipavimento.
 6. Se necessario, regolare il tergipavimento per mezzo dell'apposita manopola di regolazione (20). (Far riferimento alle procedure di regolazione del bilanciamento del tergipavimento).

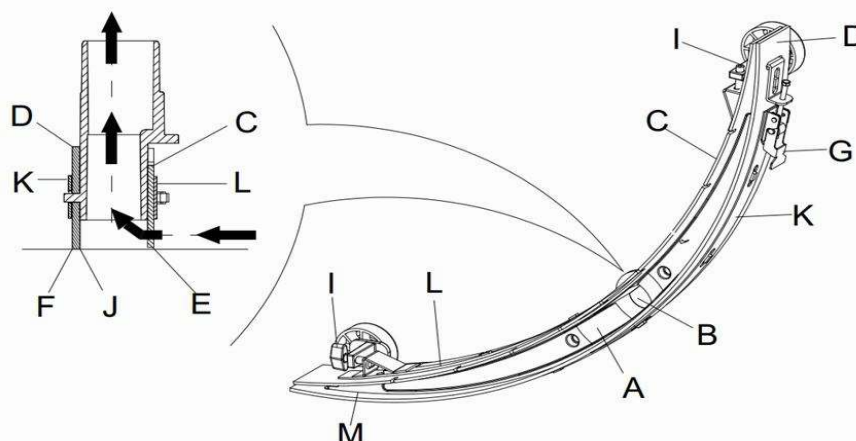


Figura 10

PULITURA DI SPAZZOLA/CUSCINETTO



ATTENZIONE!

Durante la pulizia di spazzola/cuscinetto, è raccomandato l'uso di guanti di protezione, poiché potrebbero contenere frammenti acuminati.

1. Staccare spazzola/cuscinetto, secondo le modalità indicate nella sezione precedente.
2. Con l'uso di acqua e detersivi, pulire spazzola/cuscinetto.
3. Verificare l'integrità e le condizioni di usura delle setole e, se necessario, sostituire la spazzola.
4. Verificare le condizioni di usura del cuscinetto e, se necessario, sostituire il cuscinetto.

PULITURA DEL SERBATOIO E DEL FILTRO DEL GALLEGGIANTE

1. Spostare l'apparecchio in un apposito luogo di scarico.
2. Premere l'interruttore (38 in posizione "O" per spegnere l'apparecchio.
3. Aprire il coperchio del serbatoio di raccolta (A, Figura 11), e togliere il galleggiante (36) dal serbatoio di raccolta.
4. Usare acqua pulita per sciacquare il coperchio del serbatoio di raccolta (A), il serbatoio (B e C), e il telaio di supporto del filtro (E). Per mezzo del tubo di drenaggio (16), far uscire l'acqua dal serbatoio di raccolta.
5. Se necessario, seguendo i simboli "Aperto" e "Chiuso" come indicato nella Figura 11, aprire il serbatoio sul fondo (F) del filtro e pulire il galleggiante (D), il telaio di supporto del filtro (E), e il filtro di spugna (I). Dopo la pulizia, fissare il galleggiante al telaio di supporto del filtro (E), e poi allineare la scanalatura (L) del coperchio del fondo (F) del filtro galleggiante con la scanalatura (L) del telaio di supporto del filtro (E). Avvitare strettamente il coperchio (F) del filtro del galleggiante, e fissare il filtro di spugna (I) al telaio di supporto del filtro (E), e quindi al tubo di aspirazione (M).
6. Verificare l'efficacia della guarnizione di chiusura (G) del serbatoio di raccolta.



NOTA

La guarnizione di chiusura (G) del serbatoio di raccolta fa sì che nel serbatoio si crei un vuoto. Il serbatoio deve essere completamente sigillato perché sia in grado di aspirare con efficacia l'acqua dal pavimento.

Se necessario, la guarnizione di chiusura del serbatoio di raccolta (G) può essere estratta dalla scanalatura (H) e sostituita. Nell'assemblare un nuovo serbatoio di raccolta, come mostrato nella **Figura 11** sotto, installare il connettore nella sezione mediana della parte posteriore.

7. Verificare che la superficie di inserimento della guarnizione di chiusura (G) sia intatta e la sigillatura sia efficace.
8. Chiudere il coperchio del serbatoio di raccolta (A).

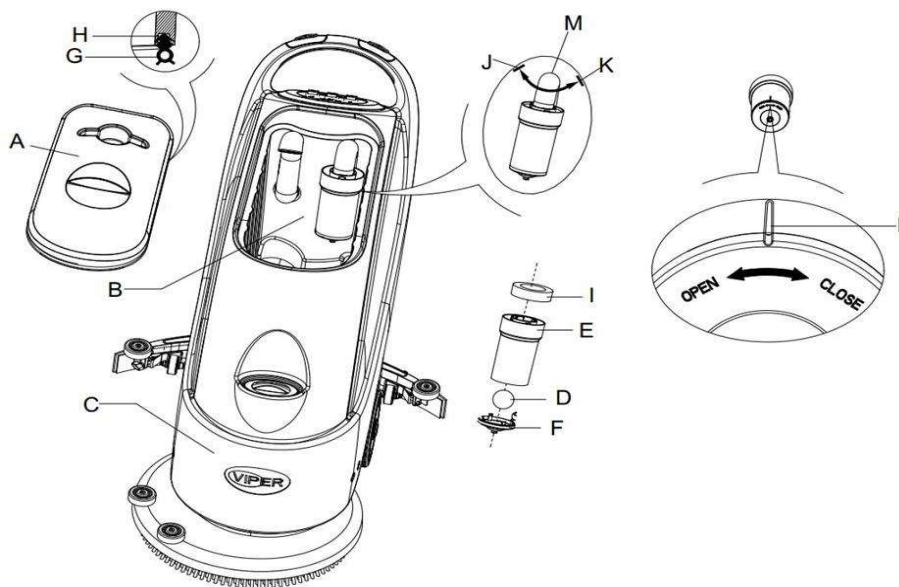


Figura 11

PULIZIA DEL FILTRO DI SOLUZIONE

1. Togliere l'acqua dal serbatoio della Soluzione nel modo spiegato nelle relative sezioni.
2. Spostare l'apparecchio su una superficie piatta e liscia.
3. Premere l'interruttore (38) in posizione "O" per spegnere l'apparecchio.
4. Chiudere la valvola di drenaggio (A, **Figura 12**) (situata sul fondo dell'apparecchio, dietro le ruote). Posizione B valvola aperta, posizione C valvola chiusa.
5. Togliere il coperchio trasparente (D), e quindi estrarre il filtro (E), e collocarli nella scatola del filtro (F) dopo averli puliti.



NOTA

Il filtro (E) deve essere accuratamente collocato nella posizione indicata nella proiezione (G).

6. Aprire la valvola di drenaggio (A).

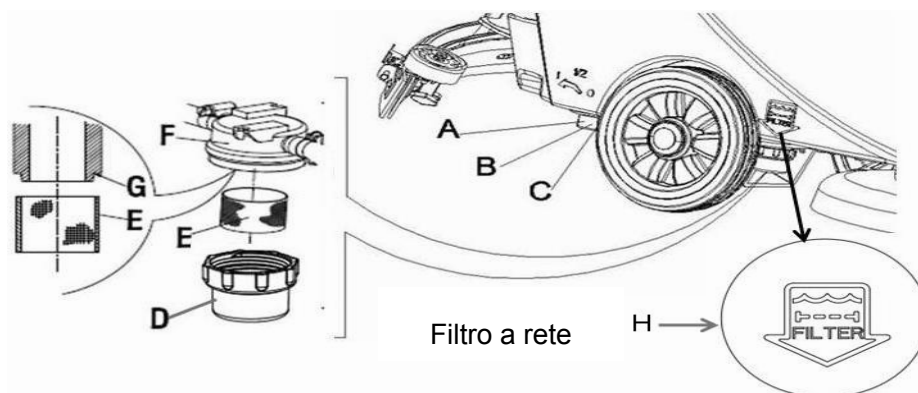
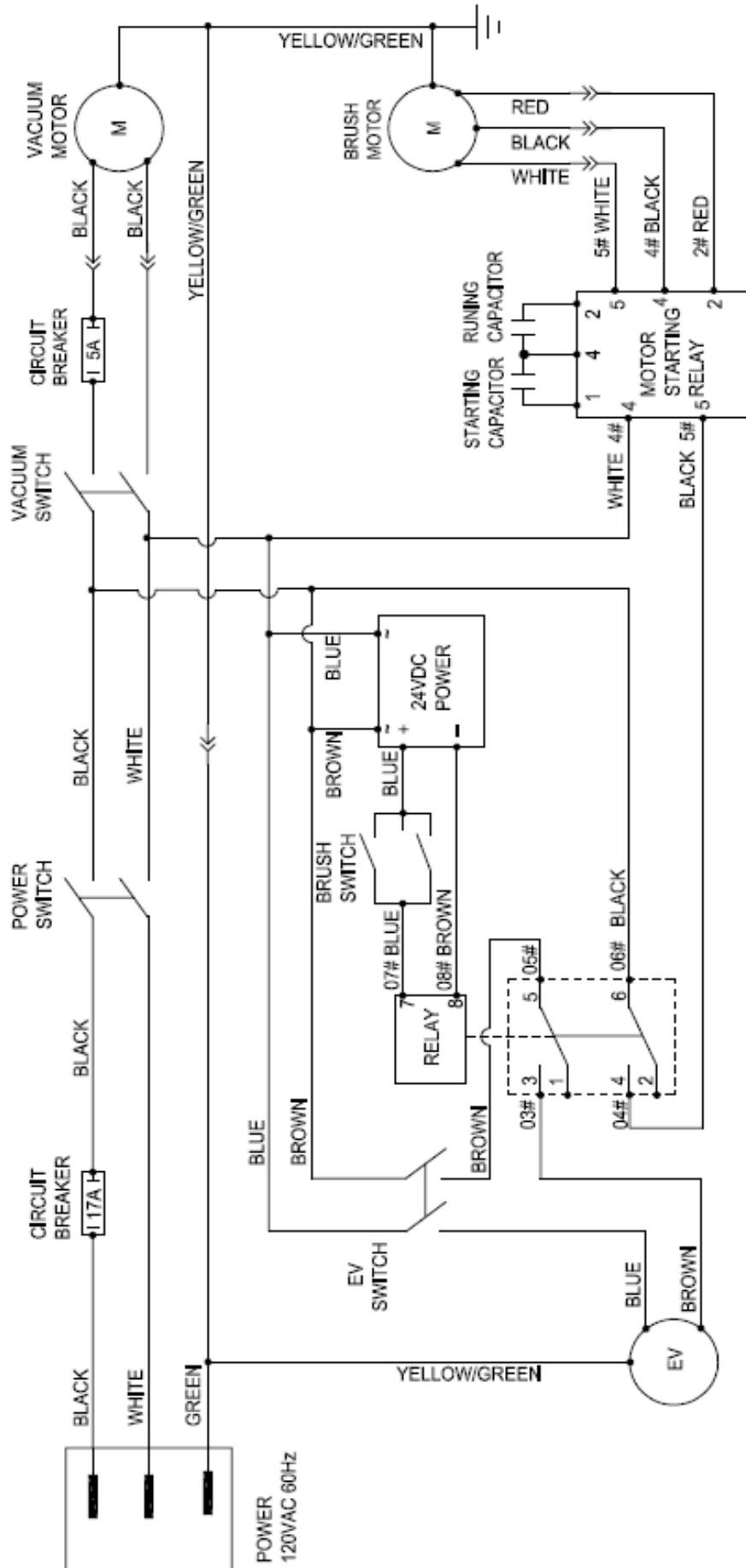


Figura 12

SCHEMA DI CIRCUITO PER AS430C E AS510C



RISOLUZIONE DEI PROBLEMI

Problema	Probabili cause	Soluzione
La macchina non funziona	Il cavo non è correttamente collegato o l'alimentazione non è sufficiente	Verificare la connessione o contattare il Distributore Viper
	Malfunzionamento del motore della spazzola	Contattare il Distributore Viper
	Spazzola di carbone consumata	Contattare il Distributore Viper
Il motore dell'aspiratore non funziona	Il cavo non è correttamente collegato o l'alimentazione non è sufficiente	Verificare la connessione o contattare il Distributore Viper
	Malfunzionamento del motore dell'aspiratore	Contattare il Distributore Viper
	Spazzola di carbone consumata	Contattare il Distributore Viper
Soluzione scarsa o assente	Malfunzionamento della valvola a sfera	Contattare il Distributore Viper
	Malfunzionamento della valvola della soluzione	Contattare il Distributore Viper
	La posizione della valvola a sfera necessita di essere regolata	Quando la valvola a sfera è in posizione orizzontale, la quantità di flusso della soluzione è al massimo
	Filtro sporco.	Pulire il filtro
Aspirazione insufficiente	Il serbatoio dell'acqua di scarico è pieno	Svuotare il serbatoio
	Il tubo di aspiratore di scarico e il tergipavimento non sono correttamente collegati	Collegare il tubo dell'aspiratore di scarico e il tergipavimento
	Filtro galleggiante bloccato o ingresso bloccato	Pulire il filtro galleggiante, controllare il galleggiante
	Tergipavimento sporco o lama del tergipavimento usurata e danneggiata	Verificare e pulire il tergipavimento
	Il coperchio del serbatoio di raccolta non è correttamente posizionato, oppure la guarnizione di chiusura del serbatoio dell'acqua è danneggiata	Riposizionare correttamente il coperchio, oppure sostituire la guarnizione di chiusura del serbatoio dell'acqua
Il tergipavimento lascia dei segni	Frammenti sotto la lama del tergipavimento	Rimuovere i frammenti
	Lama del tergipavimento già usurata, incrinata, fragile	Cambiare la lama del tergipavimento
	Bilanciatura del tergipavimento non regolata	Regolare la bilanciatura

SMALTIMENTO DELL'APPARECCHIO

Utilizzare apposite macchine di frantumazione per distruggere l'apparecchio.

Prima di distruggerlo, si prega di staccare e di mettere da parte i seguenti materiali che, in accordo alle relative leggi e disposizioni, devono essere adeguatamente trattati.

- Spazzola/cuscinetto
- Tubi e componenti in plastica
- Componenti elettrici ed elettronici (*)

(*): si prega di contattare il Centro VIPER più vicino (specie qualora sia richiesta la rottamezione di componenti elettrici o elettronici). electrónicos).

TABLA DE CONTENIDOS

INTRODUCCIÓN.....	74
CONTENIDO DEL MANUAL	74
OBJETIVO	74
PIEZAS DE REPUESTO Y MANTENIMIENTO.....	74
CAMBIOS Y MEJORAS.....	74
ÁMBITO DE APLICACIÓN.....	74
DESEMBALAJE/TRANSPORTE	74
GUÍAS GENERALES DE SEGURIDAD	75
DATOSTÉCNICOS	76
DESCRIPCIÓN DE LA MÁQUINA	76
CONSTRUCCIÓN DE LA MÁQUINA	76
PANEL DE CONTROL	77
GUÍA PARA EL MANEJO	78
ANTES DE PONER EN MARCHA	78
INSTALACIÓN Y DESCARGA EL CEPILLO/ PANEL DE LA ALMOHADILLA.....	78
AJUSTAR EL BALANCE DE LA ESCOBILLA DE GOMA	79
REGULAR EL VOLUMEN DEL FLUJO DE AGUA.....	79
MARCHA Y PARADA DE LA MÁQUINA.....	79
FUNCIONAMIENTO DE LA MÁQUINA (FREGADO Y SECADO).....	80
DESAGÜE DE LOS DEPÓSITOS	80
DESPUÉS DE UTILIZAR LA MÁQUINA	81
USAR POR PRIMERA VEZ.....	82
MANTENIMIENTO Y LIMPIEZA.....	82
TABLA DE MANTENIMIENTO PROGRAMADO	82
LIMPIEZA DE LA ESCOBILLA DE GOMA	82
INSPECCIÓN Y SUSTITUCIÓN DE LA ESCOBILLA DE GOMA	83
LIMPIEZA DEL CEPILLO/ALMOHADILLA	83
LIMPIEZA DEL DEPÓSITO DE DISOLUCIÓN Y DEL FILTRO DEL FLOTADOR.....	84
LIMPIEZA DEL FILTRO DE LA SOLUCIÓN.....	84
DIAGRAMA DEL CIRCUITO DE LOS MODELOS AS430C Y AS510C.....	86
RESOLUCIÓN DE PROBLEMAS	87
RECICLAJE DE LA MÁQUINA	87

INTRODUCCIÓN



NOTA

Los números que entre paréntesis hacen referencia a los componentes que se muestran en la sección Descripción de la Máquina.

CONTENIDO DEL MANUAL

Este manual tiene por objeto proporcionar al operador con toda la información necesaria para usar la máquina de manera adecuada y segura. Contiene información sobre los datos técnicos, seguridad, manejo, almacenamiento, mantenimiento, piezas de repuesto y reciclaje. Antes de efectuar cualquier procedimiento con la máquina, los operadores y técnicos calificados deben leer este manual atentamente. Póngase en contacto con Viper en caso de dudas acerca de la interpretación de las instrucciones o para obtener más información.

OBJETIVO

Este manual va dirigido a operadores y personal técnico calificado a efectuar las obras de mantenimiento de la máquina.

Los operadores no deben efectuar procedimientos, reservados solamente para el personal técnico. Viper no responde por daños ocasionados por el incumplimiento de esta observación. Viper no será responsable de los daños que puedan resultar de la violación de esta regla.

PIEZAS DE REPUESTO Y MANTENIMIENTO

Todos los procedimientos necesarios de manejo, mantenimiento y reparación deben efectuarse solamente por el personal técnico de los Centros de Servicio de Viper.

Sólo se permite el uso de accesorios y piezas de repuesto originales.

Póngase en contacto con Viper para solicitar servicio o para encargar piezas de repuesto o accesorios, especificando el modelo y número de serie de la máquina.

CAMBIOS Y MEJORAS

Viper constantemente sigue mejorando sus productos. Viper se reserva el derecho de hacer cambios o mejoras a su discreción y sin que sea necesario aplicar tales mejoras sobre las máquinas ya vendidas. Cualquier cambio y/o adición de accesorios debe ser aprobada y realizada por Viper.

ÁMBITO DE APLICACIÓN

La fregadora está destinada al uso doméstico y comercial, siendo apropiada para la limpieza de suelos duros y lisos (fregado y recogida del agua de desecho). Se debe utilizar por un personal calificado y en un entorno seguro. La fregadora no se puede usar para la limpieza al aire libre, sobre alfombras o suelos relativamente gruesos.

DESEMBALAJE/TRANSPORTE

Para desembalar la máquina, siga cuidadosamente las instrucciones en el empaque.

A la hora de la entrega, compruebe que el embalaje y el equipo no sufrieron daños durante el transporte. En caso de daños visibles, guarde el envase y solicite que el transportista lo revise y componga una lista detallada de los daños para la indemnización.

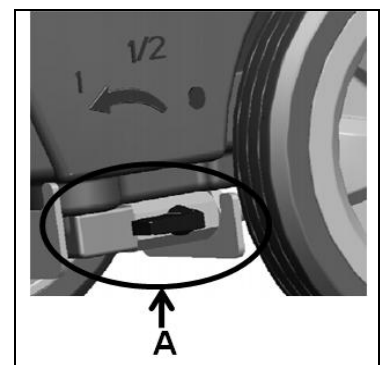


— PRECAUCIÓN

Al desembalar y descargar, o al llevar la máquina sobre un terreno con escalones, tenga cuidado de no golpear el interruptor de encendido/apagado que regula el flujo de agua, Parte A en la figura a la derecha.

Compruebe si la máquina está equipada con los siguientes elementos
Documentos técnicos

- Manual del Usuario de la Máquina de Fregar



GUÍAS GENERALES DE SEGURIDAD

Las siguientes son advertencias y avisos sobre posibles daños (personal y máquina):



¡ADVERTENCIA!

- La máquina se debe utilizar solamente bajo la dirección de este manual. Utilice únicamente accesorios aprobados por Viper.
- El dispositivo sólo debe ser utilizado por personas que hayan sido instruidas y habilitadas en su manejo. El aparato no está diseñado para ser utilizado por niños o personas no apropiadas.
- No use joyas mientras trabaja con o cerca de partes eléctricas. Tome todas las medidas de precaución para evitar que el cabello, joyas o ropa suelta queden atrapados entre las partes móviles de la máquina.
- Favor de no manejar la máquina en áreas excesivamente sucias. No lave la máquina directamente con agua. No deje que la máquina entre en contacto con líquidos corrosivos.
- La temperatura de almacenamiento y para el entorno de trabajo de la máquina debe estar comprendida entre los 0 - 40°C.
- La humedad del aire debe oscilar entre 30% - 105%.
- Por favor no utilice la máquina en superficies con una pendiente superior al 2 %.
- En caso de incendio utilice un extintor de polvo, no de agua. No use extintores líquidos.
- Tenga cuidado a la hora de transportar la máquina cuando la temperatura está por debajo del punto de congelación. El agua en el depósito del agua de recuperación o en los tubos, podría congelarse y dañar la máquina.
- Use cepillos y almohadillas suministradas con la máquina y tales especificados en el Manual del Usuario. El uso de otros cepillos o almohadillas podría reducir la seguridad.
- En caso de mal funcionamiento de la máquina, asegúrese de que la causa no se la falta de mantenimiento. Si es causado por otras condiciones, por favor, buscar la ayuda de personal autorizado o al Centro de Servicios.
- Si se confirma que las piezas de repuesto deben ser reemplazados, por favor asegurar las piezas originales de los distribuidores autorizados o agentes.
- Con el fin de garantizar el funcionamiento seguro y correcto de la máquina, por favor, deje que el personal autorizado o el Centro de Servicios realicen el mantenimiento programado de acuerdo con los programas de mantenimiento de las secciones correspondientes del manual.
- Esta máquina debe desecharse de forma adecuada ya que pueden existir residuos tóxicos y peligrosos, y éstos se deben tirar en los centros de disposición especiales, de conformidad con las leyes y reglamentos relevantes (por favor refiérase a la sección de eliminación de la máquina).

DATOSTÉCNICOS

Modelo	AS430C	AS510C
Altura máquina	980mm	
Capacidad del depósito de disolución/agua	50 litros	
Capacidad del tanque de recuperación	50 litros	
Diámetro de la rueda delantera	200mm	
Diámetro de la rueda trasera	63.5mm	
Potencia del motor de aspiración	400w	
Pendientes	2%(Max)	
Nivel de presión acústica en el puesto de trabajo	72dB(A) ±3dB(A)	
Longitud del cable	20m	
Capacidad de circuito de aspiración	1200 mm H ₂ O	
Anchura de limpieza	430mm	510mm
Anchura de la escobilla de goma	730mm	790mm
Longitud máxima de la máquina	1060mm	1100mm
Anchura de la máquina sin la escobilla de goma	480mm	540mm
Diámetro del cepillo	430mm	510mm
Peso con los tanques vacíos	70kg	74kg
Peso bruto de la máquina lista para el uso	120kg	124kg
Potencia del motor del cepillo	750W	
Velocidad de rotación del cepillo	150rpm	
Presión del cepillo/soporte de la almohadilla	32kg (Max)	35kg(Max)
Tamaño de empaque (Lx W x H)	1200 x 610 x 1170mm	

DESCRIPCIÓN DE LA MÁQUINA**CONSTRUCCIÓN DE LA MÁQUINA**

- | | |
|---|---|
| 1. Interruptor de Seguridad | 20. Volante de ajuste de la escobilla de goma |
| 2. Manillar | 21. Bastidor de soporte trasero de la escobilla de goma |
| 3. Panel de Control | 22. Bastidor de soporte delantero de la escobilla de goma |
| 4. Placa de número de serie/Datos Técnicos / Certificado de Conformidad | 23. Ventosa de sujeción |
| 5. Tapa de Control | 24. Mango de la tapa del tanque de recuperación |
| 6. (no disponible) | 25. Tapa del tanque de recuperación |
| 7. (no disponible) | 26. Cuerpo del tanque |
| 8. Interruptor de Reinicio | 27. Tapa de la entrada de agua |
| 9. Cable de alimentación | 28. Plataforma del cepillo |
| 10. Cubierta de la batería | 29. Panel de la almohadilla |
| 11. Tubo de vaciar los residuos | 30. Motor de aspiración |
| 12. Cordón de arrastre de la escobilla de goma | 31. Motor del cepillo |
| 13. (no disponible) | 32. Rueda de 8" |
| 14. Palanca de elevación de la escobilla de goma | 33. (no disponible) |
| 15. Manguera de vaciado | 34. manguera de aspiración |
| 16. Botón fijo de la escobilla de goma | 35. Caja eléctrica |
| 17. Gancho de la escobilla de goma | 36. Filtro flotador |
| 18. Lámina de la escobilla de goma | 37. Tubo de control del nivel de agua (indica la cantidad de agua en el Depósito de Disolución) |
| 19. Bastidor de soporte de la escobilla de goma | |

FIGURAS DE LA CONSTRUCCIÓN DE LA MÁQUINA

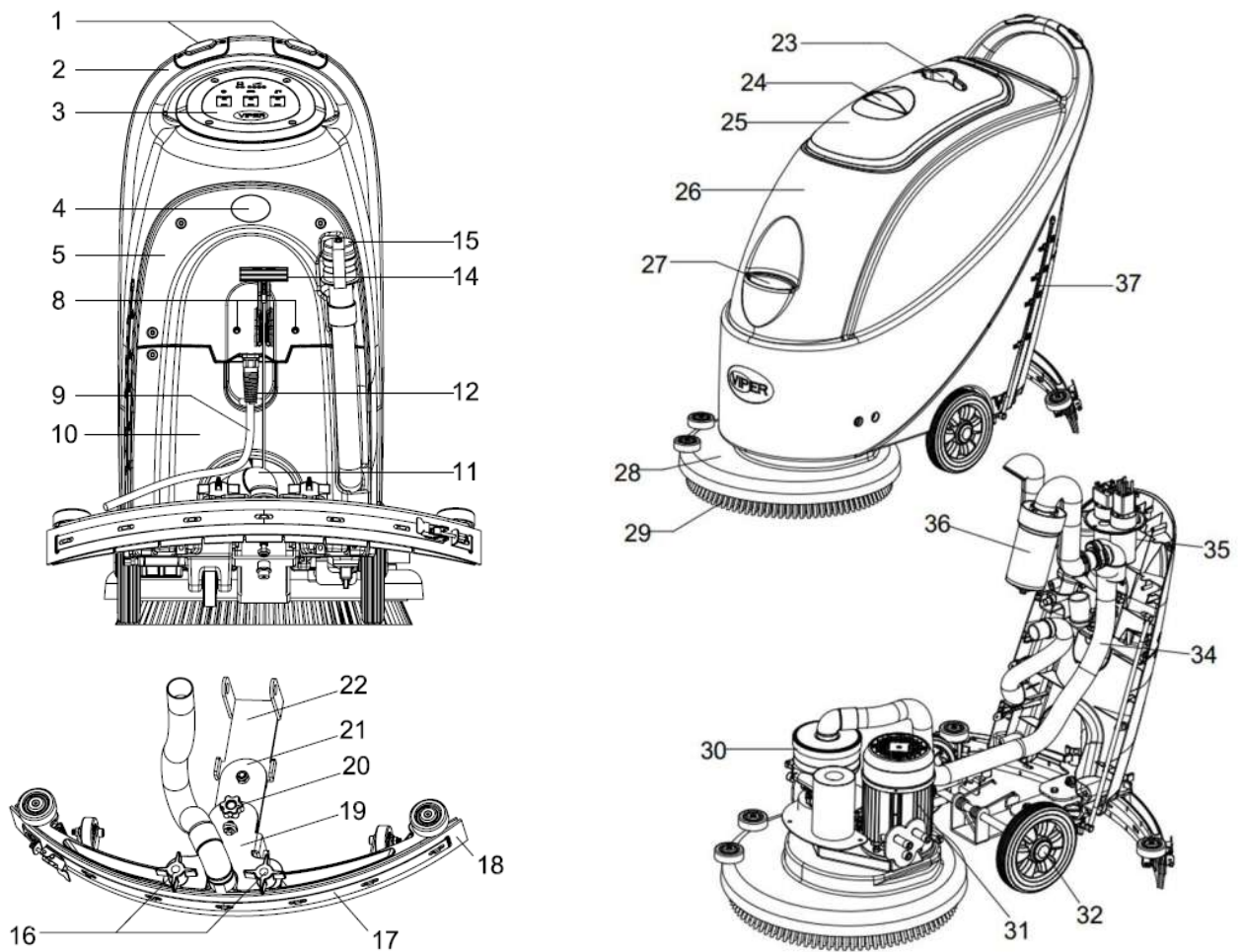


Figura 1

PANEL DE CONTROL (Figura2)

- 38. Interruptor de Encendido
- 39. Interruptor de Encendido de la aspiración
- 40. Interruptor de la válvula solenoide

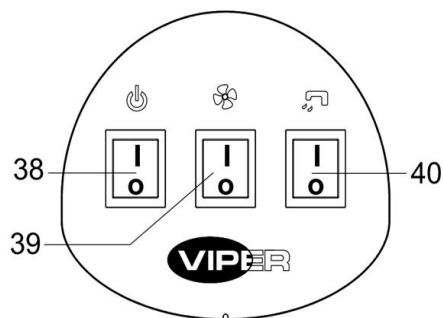


Figura 2

GUÍA PARA EL MANEJO



¡ADVERTENCIA!

En varios puntos de la máquina hay unas placas adhesivas que indican:

- PELIGRO
- ADVERTENCIA
- PRECAUCIÓN
- CONSULTA

Durante la lectura de este manual, el operador debe prestar especial atención a los símbolos que aparecen en las placas.

No cubra estas placas bajo ninguna circunstancia. Si están deterioradas, reemplácelas de inmediato.

ANTES DE PONER EN MARCHA

INSTALACIÓN Y DESCARGA EL CEPILLO/ PANEL DE LA ALMOHADILLA



NOTA

Conforme al tipo de suelo a limpiar, la máquina puede ser instalada con el cepillo (Figure 3, A), o el panel de la almohadilla (Figura 3, B y C).



¡PRECAUCIÓN!

A la hora de instalar o descargar el cepillo/panel de la almohadilla a mano, primero verifique si todos los interruptores están en posición de apagado, luego levante la escobilla de goma del suelo y sólo después se puede poner a manejar el cepillo/panel de la almohadilla. Además, use guantes protectores para evitar cortaduras causadas por los fragmentos.

1. (Sólo aplicable a los modelos **AS430C** y **AS510C**): asegúrese de que el cable(9) estando desconectadas la fuente de alimentación y el interruptor (38) se encuentran en posición (O) de desconectados.
2. Presione el manillar (2) hacia abajo para levantar el cuerpo del tanque (26).
3. Coloque el cepillo (A) o el panel de la almohadilla (B – C) debajo del estuche.
4. Use el manillar (2) para bajar el cuerpo del tanque (26) hasta que entre en contacto con el cepillo o el panel de la almohadilla.
5. Para instalar el cepillo/el panel de la almohadilla automáticamente, gire el interruptor de encendido (38) a la posición "I" y presione el interruptor de seguridad (1) hacia abajo. Empuje suavemente la máquina hacia delante para permitir que la rueda de correa en la parte inferior del cuerpo del tanque se alinee con el cepillo o el panel de la almohadilla que se puede instalar a continuación. Luego libere el interruptor de seguridad. Si hace falta, repita los procedimientos hasta que el cepillo/el panel de la almohadilla estén montados.
6. Si el paso 5 le resulta difícil, use el método manual siguiendo la punta de flecha (D) para instalar el cepillo/el panel de la almohadilla (como indica la **Figura 3**).
7. Para descargar el cepillo/el panel de la almohadilla automáticamente, gire el interruptor de encendido (38) a la posición "O". Sujete el manillar con la mano y presione la máquina hacia abajo hasta que la rueda de guía toque el suelo y el cepillo/el panel de la almohadilla quede colgando en el aire. Gire el interruptor de encendido (38) a la posición "I" y presione el interruptor de seguridad para que el cepillo/el panel de la almohadilla caigan al suelo.
8. Si el paso 5 le resulta difícil, use el método manual que consiste en girar el cepillo/el panel de la almohadilla en la dirección opuesta a la normal y éste quedará desmontado. (como indica la **Figura 3**).

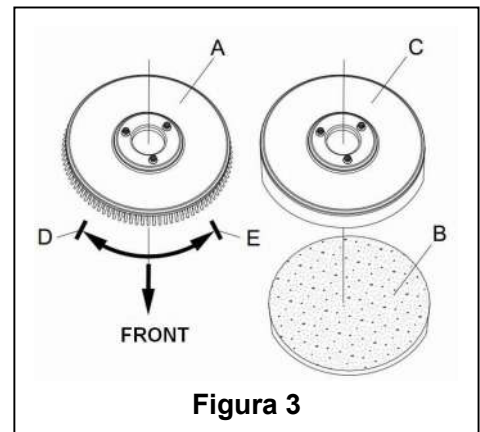


Figura 3

AJUSTAR EL BALANCE DE LA ESCOBILLA DE GOMA

9. Monte la escobilla de goma y ciérrela bien mediante el mango (16). A continuación conecte el tubo de vaciar los residuos (11) con la escobilla de goma.
10. Ajuste la escobilla de goma a través de la palanca de ajuste (A) (véase la **Figura 4**).
 - 1) Si la parte central de la tira trasera de la escobilla de goma, sección B, tiene una brecha con el suelo o la presión a la baja es relativamente ligera, ajuste el mango en el sentido anti-horario hasta que toda la longitud de la tira trasera de la escobilla de goma y toque completamente el suelo. La tira delantera de la escobilla de goma apenas tiene que estar en contacto con el suelo.
 - 2) Si los dos extremos de la tira trasera de la escobilla de goma, secciones C y D, tienen una brecha con el suelo o la presión a la baja es relativamente ligera, ajuste el mango en el sentido horario hasta que toda la longitud de la tira trasera de la escobilla de goma y toque completamente el suelo. La tira delantera de la escobilla de goma apenas tiene que estar en contacto con el suelo.

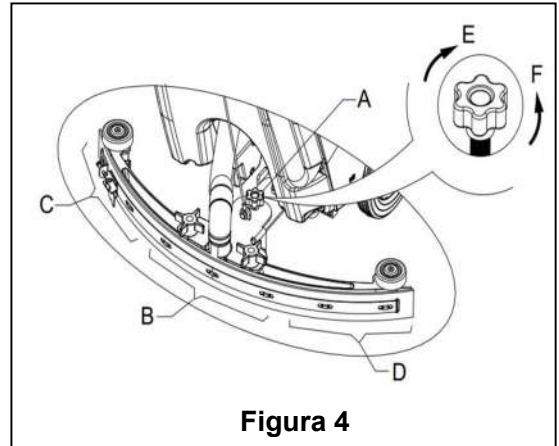


Figura 4

Llenar el depósito de disolución



¡PRECAUCIÓN!

Se pueden usar solamente detergentes no inflamables de baja espuma. Tales detergentes deben ser apropiados para máquina de fregar.

11. Abra la tapa de entrada de agua (27) y llene el depósito de disolución con agua. No sobre llene el depósito. Llenar hasta el borde del soporte del filtro de la entrada de agua será suficiente. A la hora de mezclar las soluciones de limpieza, por favor observe las proporciones de dilución provistas por el fabricante de la sustancia y tenga en cuenta que la temperatura no debe superar los 40°C.

REGULAR EL VOLUMEN DEL FLUJO DE AGUA



¡ADVERTENCIA!

La regulación del mango de la válvula de bola (A, Figura 5) debe ejecutarse bajo la condición de que el interruptor de encendido (38) esté en posición "O".

12. El volumen del flujo de agua puede ser ajustado a través del mango de la válvula de bola (A, Figura 5) conforme a la cantidad de agua que se requiere para fregar el suelo.

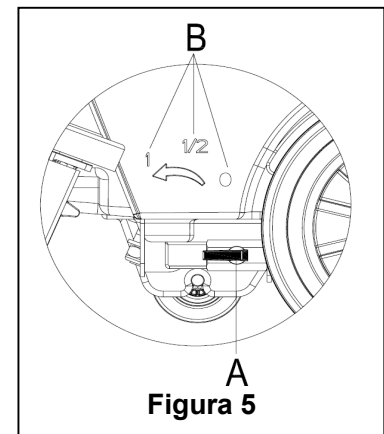


Figura 5

MARCHA Y PARADA DE LA MÁQUINA

Poner la máquina en marcha

1. Complete los pasos preparatorios como es indicado arriba.
2. Conecte el cable de alimentación (9) a una fuente de tensión correspondiente y presione el botón de encendido (38) then posición "I"
3. Use el mango de la escobilla de goma (14) para bajarla.
4. Presione el interruptor de la de Aspiración (39) en posición "I".
5. Presione el interruptor de ajuste del volumen de flujo de agua (40) en posición "I". (Opere al mismo tiempo con el interruptor de seguridad (1) para controlar el funcionamiento de la válvula solenoide.)
6. Mantenga presionado el interruptor de seguridad (1) y empuje la máquina. El cepillo empieza a girar (29) y la máquina inicia su trabajo de limpieza.



CONSULTA: Cómo empujar la máquina

Una de las ventajas de la máquina es la disponibilidad de dos interruptores de seguridad en ambos lados del manillar. Cada uno de ellos es capaz de controlar el movimiento del cepillo de manera independiente. Durante el funcionamiento, facilita controlar y manejar la máquina.

Por experiencia, el método de empujar la máquina, indicado en la Figura 6 a la derecha es más conveniente, los operadores sienten sus manos más cómodas, lo que reduce el cansancio. Es recomendable que los operadores empujen la máquina de esta manera.



Figura 6

Apagar la máquina

7. Cuando haya terminado de usar la máquina, primero descargue el cepillo / panel de la almohadilla (consulte los pasos relacionados en el apartado de Instalación y Descarga del cepillo / panel de la almohadilla)
8. Suelte el interruptor de seguridad (1) para apagar el cepillo / panel de la almohadilla y la válvula solenoide.
9. Presione el interruptor de la Bomba de Aspiración (39) en posición "O" y la Bomba se demorará 5 segundos antes de dejar de funcionar.
10. Presione el interruptor de ajuste del volumen de flujo de agua (40) en posición "O" para detener completamente el funcionamiento de la válvula solenoide.
11. Presione el interruptor de encendido (38) en posición "O". Y desenchufe el cable de alimentación (9) del tomacorriente.
12. Use la palanca de elevación de la escobilla de goma (14) para levantarla.
13. Sujete el manillar (2) e incline levemente la máquina hacia atrás hasta que la rueda de guía toque el suelo. Véase la figura 7

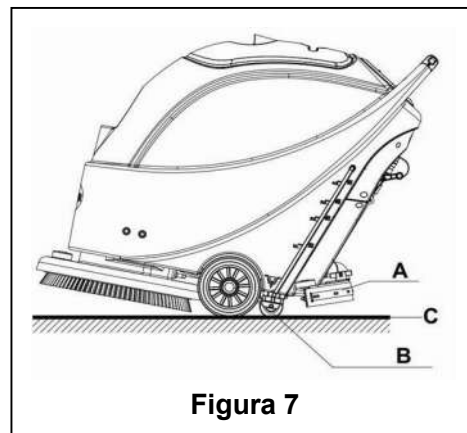


Figura 7

FUNCIONAMIENTO DE LA MÁQUINA (FREGADO Y SECADO)

1. Ponga la máquina en marcha según está descrito más arriba.
2. Mantenga el interruptor de seguridad (1) (de la manera indicada en la Figura 6), empuje la máquina e inicie el trabajo de limpieza.
3. Si hace falta, apague la máquina y ajuste la palanca reguladora de la escobilla de goma. (Refiérase a los pasos de ajustar el balance de la escobilla de goma).
4. Si hace falta, apague la máquina, y ajuste el volumen del flujo de agua mediante el mango de válvula de bola. (Refiérase a los pasos de ajustar el volumen de flujo de agua.)



¡PRECAUCIÓN!

A fin de evitar daños en el suelo, cuando la máquina se detiene en el mismo lugar sin moverse, por favor apague el interruptor de encendido (38).

DESAGÜE DE LOS DEPÓSITOS

Cuando el tanque de recuperación está lleno, un flotador de cierre en el dispositivo de apagado automático del flotador (36) bloqueará la conexión de entrada de la bomba de aspiración. El aumento repentino del ruido de la bomba de aspiración, significaría que la bomba de aspiración ya está demasiado sobrecargada y es necesario vaciar de inmediato las aguas residuales.

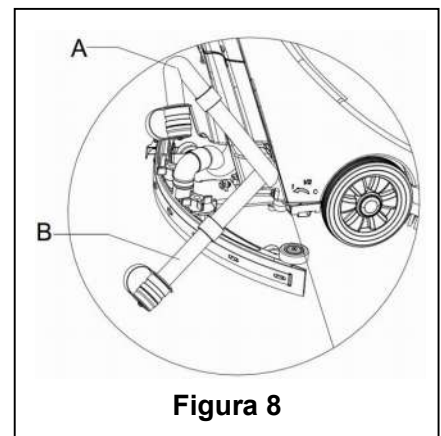
**¡PRECAUCIÓN!**

Si la bomba de aspiración se apaga de repente (por ejemplo, porque la máquina se traslada rápidamente dando lugar a una activación del flotador), y si se necesita un reinicio de la operación, siga los siguientes pasos: pulse el interruptor de encendido (38 y 39) para desconectar la bomba de aspiración, y abra la tapa del tanque de recuperación (25) para comprobar si el flotador en el filtro del flotador ha vuelto a la superficie del agua. A continuación cierra la tapa del tanque de recuperación (25) y presione el interruptor de encendido (38 y 39) para poner en marcha y activar la bomba de aspiración.

Cuando el tanque de recuperación está completamente lleno de agua sucia, siga los pasos abajo para vaciarlo.

Vaciado del tanque de recuperación

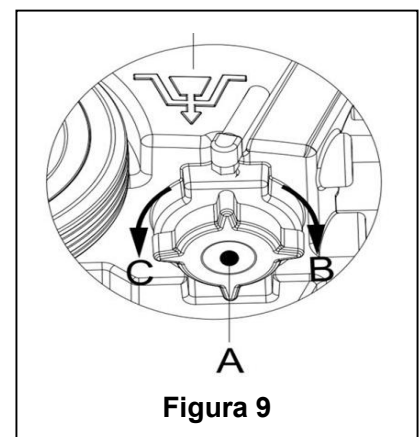
1. Apague la máquina.
2. Levante la escobilla de goma mediante el mango (14).
3. Conduzca la máquina a la zona de desagüe de depósitos.
4. Sujete el manillar (2) e incline levemente la máquina hacia atrás hasta que la rueda de guía toque el suelo. (Para el acoplamiento de la máquina, consulte los procedimientos del apartado de apagado de la máquina.)
5. Retire la manguera de vaciado del gancho de fijación, doble el extremo superior de la manguera (como se indica en A, **Figura 8**), luego abra la tapa de la manguera y bájela al suelo para drenar el agua. Opcionalmente, coloque directamente la manguera de vaciado en una posición baja o directamente en el suelo para volver la salida del agua hacia abajo (como se muestra en B, **Figura 8**), y luego gire abrir la tapa de drenaje del agua para vaciar el agua residual del tanque. Después de terminar el drenaje, utilice agua fresca para enjuagar el interior del tanque de recuperación.

**Figura 8****¡PRECAUCIÓN!**

Al drenar el agua residual, el tubo de vaciar los residuos debe ser doblado o bajado a una posición inferior (como se muestra en la **Figura 8 A o B**), y a continuación, abra la tapa del tubo de vaciar los residuos para drenar el agua. No vierta la salida del tubo de vaciar los residuos hacia arriba para drenar el agua verticalmente. Esto es para evitar que las aguas residuales se derramen sobre el operador.

Vaciado del depósito de disolución

6. Complete los Pasos de 1 a 4.
7. Como se indica en la **Figura 9**, gire la tapa del Depósito de disolución (A) en sentido anti-horario para abrirlo en dirección C y vacíe completamente el Depósito de disolución. Use agua fresca para enjuagar el interior del Depósito de disolución. Al terminar el trabajo, asegure la tapa del Depósito de disolución (A) en sentido horario en dirección B.

**Figura 9****DESPUÉS DE UTILIZAR LA MÁQUINA**

Cuando el trabajo está hecho y antes de guardar la máquina, debe seguir los siguientes pasos:

1. Siga el procedimiento descrito en el apartado anterior acerca de la instalación y descarga del cepillo / panel de la almohadilla, y desmonte el cepillo / panel de la almohadilla.
2. Siguiendo los procedimientos descritos en las secciones correspondientes, vacíe el agua por completo de los depósitos de disolución y de recuperación.
3. Lleve a cabo los procedimientos de mantenimiento diario (refiérase a la sección de mantenimiento).
4. Almacene la máquina, el epillo / panel de la almohadilla y la escobilla de goma incluidos en un lugar limpio y seco. La escobilla de goma debe estar levantada y desmontada.

USAR POR PRIMERA VEZ

Después de usar por las primeras 9 horas, compruebe todas las partes para estar seguro de que ninguna de ellas esté floja o dañada durante el funcionamiento, también verifique si hay algunos daños o fugas visibles.

MANTENIMIENTO Y LIMPIEZA

La vida útil y la máxima seguridad de funcionamiento de la máquina están aseguradas por el mantenimiento y el cuidado adecuado y regular.

La siguiente tabla proporciona un plan de mantenimiento general de la máquina. Los intervalos de tiempo de mantenimiento son determinados en gran medida por las condiciones de trabajo de la máquina. Estos intervalos de tiempo deben ser formulados por el personal responsable del mantenimiento.



¡ADVERTENCIA!

Estos procedimientos se pueden realizar sólo posteriormente. Antes de proseguir con cualquiera de los procedimientos de mantenimiento, por favor observe con cuidado los apartados relacionados con la seguridad.

Todo el mantenimiento planificado o adicional debe ser realizado por personal cualificado o en Centros de Servicio autorizados.

Este manual sólo se refiere al mantenimiento de los procedimientos más comunes y más simples.

Para los procedimientos de mantenimiento que no sean los indicados en el presente cuadro de mantenimiento planificado, por favor consulte el manual de mantenimiento del Centro de Servicio.

TABLA DE MANTENIMIENTO PROGRAMADO

Procedimiento	Diario, Máquina después de usar	Semanal	Cada 6 meses	Anual
Limpiar la escobilla de goma				
Limpiar el cepillo/panel de la almohadilla				
Limpiar el tanque de agua y el filtro del flotador, inspeccionar las tiras de sellado del tanque de agua				
Inspeccionar y reemplazar la tira de la escobilla de goma				
Limpiar el Filtro de la Solución				
Limpiar el Filtro del motor de Aspiración				
Inspeccionar si las tuercas y pernos están apretados			(1)	
Inspeccione o reemplace la escobilla de carbón del motor del cepillo/panel de la almohadilla				(2)
Inspeccione o reemplace la escobilla de carbón del motor de aspiración				(2)

(1) Se debe realizar 9 horas después de poner la máquina en marcha.

(2) Estos procedimientos de mantenimiento se deben ejecutar por un Centro de Servicio autorizado por Viper.

LIMPIEZA DE LA ESCOBILLA DE GOMA



NOTA

Con el fin de mantener el efecto óptimo de la aspiración del agua, la escobilla de goma se debe mantener limpia, y la tira debe permanecer en un buen estado.



¡PRECAUCIÓN!

A la hora de limpiar la escobilla de goma es recomendable usar guantes de protección porque la escobilla de goma puede contener escombros afilados.

1. Conduzca la máquina a una superficie plana y lisa.
2. Presione el interruptor de encendido (38) en posición "O" para apagar la máquina.

3. Desenrosque el mango fijo (16) de la escobilla de goma; desmonte el conector que junta la manguera de aspiración de recuperación de la escobilla de goma y retire la escobilla.
4. Use la palanca de elevación de la escobilla (14) para levantar el bastidor de la escobilla.
5. Limpie la escobilla de goma (**Figura 10**). Limpie bien la ranura (**A, Figura 10**) la suciedad y los escombros de la manguera de aspiración. Compruebe si la lámina delantera (C) y la lámina posterior (D) permanecen intactas o si tienen grietas y bordes rotos. Reemplácelos si hace falta (refiérase a los pasos en el apartado que sigue).
6. Vuelva a montar la escobilla de goma en el orden inverso al de arriba.

INSPECCIÓN Y SUSTITUCIÓN DE LA ESCOBILLA DE GOMA

1. Observando los métodos mencionados en la sección anterior, limpie la escobilla de goma (**Figura 10**).
2. Inspeccione el borde (**E, Figura 10**) en la lámina delantera de la escobilla y el borde (F) de la lámina posterior (D). A lo largo de su longitud, deben ser alineados. De lo contrario ajuste su altura conforme a los siguientes procedimientos:
 - Afloje el gancho (G) para permitir que la lámina posterior de la escobilla de goma (D) quede separada del retenedor (M) para ajustar la posición de la escobilla de goma. Después de ajustar, vuelva a apretar el gancho.
 - Afloje el tornillo en el mango (I) para ajustar la lámina delantera de la escobilla de goma (C); apriete el tornillo del mango después de ajustar.
3. Revise la integridad de la lámina delantera (C) y la lámina posterior (D), compruebe si hay cortaduras y fugas. Si hace falta, reemplácelos como es indicado abajo. Asegúrese de que el borde delantero (J) de la lámina posterior no esté desgastado; De lo contrario, dé vuelta a la lámina para sustituir el borde desgastado por un íntegro (el borde superior debe ser intacto). Si el borde superior también está gastado, reemplace la lámina según el siguiente procedimiento:
 - Afloje el gancho (G) para permitir que la lámina de presión se separe del retenedor (M), retire la barra de ganchos (K), luego cambie o dé vuelta a la lámina posterior (D). Instale la lámina posterior de la escobilla de goma en el orden inverso del desmontaje.
 - Afloje el tornillo del mango (I) y retire la barra de ganchos delantera (L), a continuación cambie la escobilla de goma delantera (C). Instale la lámina delantera de la escobilla de goma en el orden inverso del desmontaje. Después de la sustitución (o vuelta) de la lámina, ajuste la altura de las láminas delantera y posterior, como se indica en el paso anterior.
4. Conecte la manguera de aspiración (11) a la escobilla de goma.
5. Instale la escobilla de goma y utilice el botón (16) para apretarla, luego conecte la manguera de aspiración a la escobilla.
6. Si hace falta, ajuste la escobilla de goma al ajustar el volante (20) (refiérase a los procedimientos de ajustar el balance de la escobilla de goma).

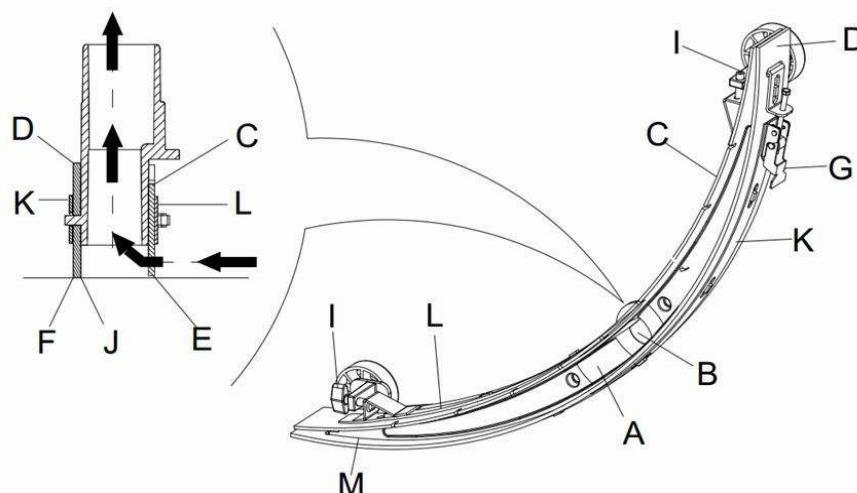


Figura 10

LIMPIEZA DEL CEPILLO/ALMOHADILLA



¡PRECAUCIÓN!

A la hora de limpiar el cepillo/panel de la almohadilla, es recomendable usar guantes de protección ya que éstos pueden contener escombros afilados.

1. Como se indica en las secciones anteriores, desmonte el cepillo/panel de la almohadilla.
2. Limpie y lave el cepillo / panel de la almohadilla con agua y detergente.
3. Compruebe que el cepillo es íntegro y los filamentos del cepillo no están demasadamente gastados, si es necesario - reemplace el cepillo.
4. Compruebe el estado de desgaste del panel de la almohadilla y, si hace falta, reemplace el panel.

LIMPIEZA DEL DEPÓSITO DE DISOLUCIÓN Y DEL FILTRO DEL FLOTADOR

1. Conduzca la máquina a una area dedicada al desagüe.
2. Presione el interruptor de encendido (38) en posición "O" para apagar la máquina.
3. Abra la tapa del tanque de recuperación (A, Figura 11) y retire el dispositivo del flotador (36) del tanque de recuperación.
4. Use agua fresca para lavar la tapa del tanque de recuperación (A), el tanque (B y C), y el bastidor del filtro del flotador (E). A través del Tubo de Recuperación (15), vacíe toda agua del tanque.
5. Si hace falta, siga los símbolos "Abierto" y "Cerrado" como se indica en la Figura 11, abra la tapa inferior (F) del filtro del flotador y limpie el flotador (D), su filtro, el bastidor (E), y la esponja del filtro. Después de limpiar, fije el flotador sobre el bastidor del filtro (E), luego alinee la ranura marcada (L) de la tapa inferior (F) del filtro del flotador con la ranura marcada (L) del bastidor del filtro (E). Apriete la tapa inferior (F) del filtro del flotador y fije la esponja del filtro (I) sobre el bastidor (E), y luego sobre la manguera de aspiración (M).
6. Compruebe la integridad del anillo de sellado (G) de la tapa del tanque de agua.



NOTA

La tira de sellado (G) del tanque de agua hace que el tanque de agua genere un vacío. Debe estar completamente sellado para ser capaz de succionar con eficacia las aguas residuales del suelo.

Si es necesario, la tira de sellado del tanque de agua (G) se puede sacar de la ranura (H) y ser reemplazada. A la hora de ensamblar una nueva tira de sellado del tanque de agua, como indica la Figura 11 más abajo, instale el conector en la sección central de la parte posterior.

7. Compruebe si la superficie de recepción de la tira de sellado (G) está intacto y sella adecuadamente.
8. Cierre la tapa del tanque de recuperación (A).

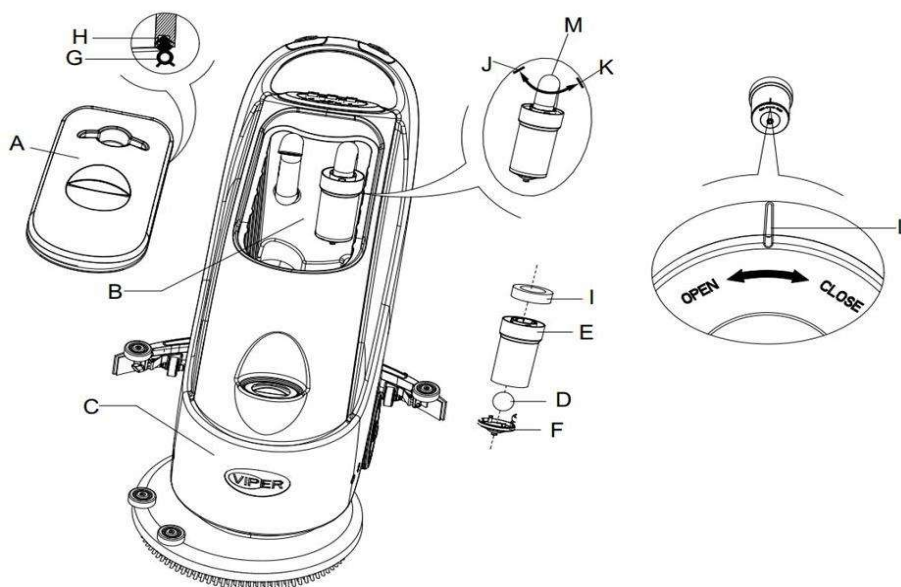


Figura 11

LIMPIEZA DEL FILTRO DE LA SOLUCIÓN

1. Vacíe toda agua del Depósito de Disolución según el método relatado en las secciones anteriores.
2. Conduzca la máquina a una superficie plana y lisa.
3. Presione el interruptor de encendido (38) en posición "O" para apagar la máquina.
4. Desconecte la válvula de bola de drenaje (A, **Figura 12**) (que se ubica en la parte inferior de la máquina, detrás de las ruedas). Posición B - válvula de bola abierta, posición C - válvula de bola cerrada.
5. Retire la tapa transparente (D), y el filtro (E), luego instálelos sobre la caja del filtro (F) después de la limpieza.

**NOTA**

El filtro (E) debe ser instalado correctamente en la posición de la proyección (G).

6. Abra la válvula de bola de drenaje (A).

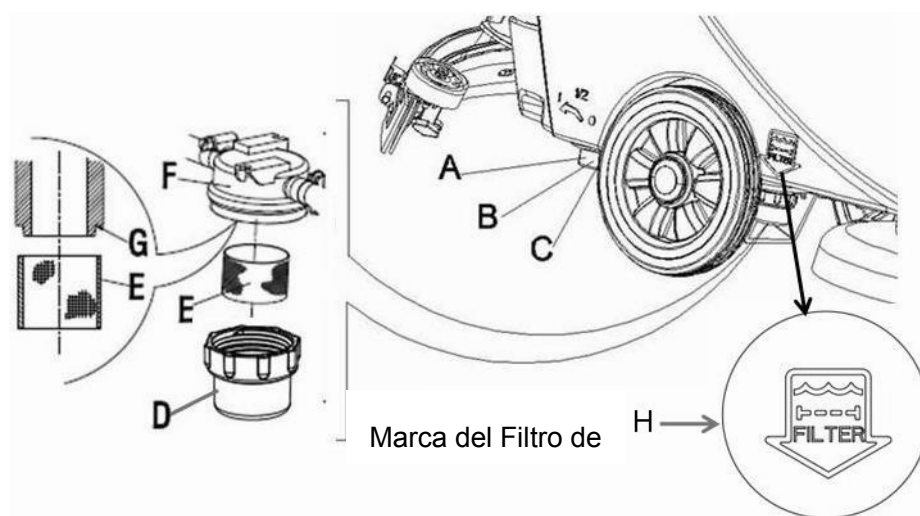
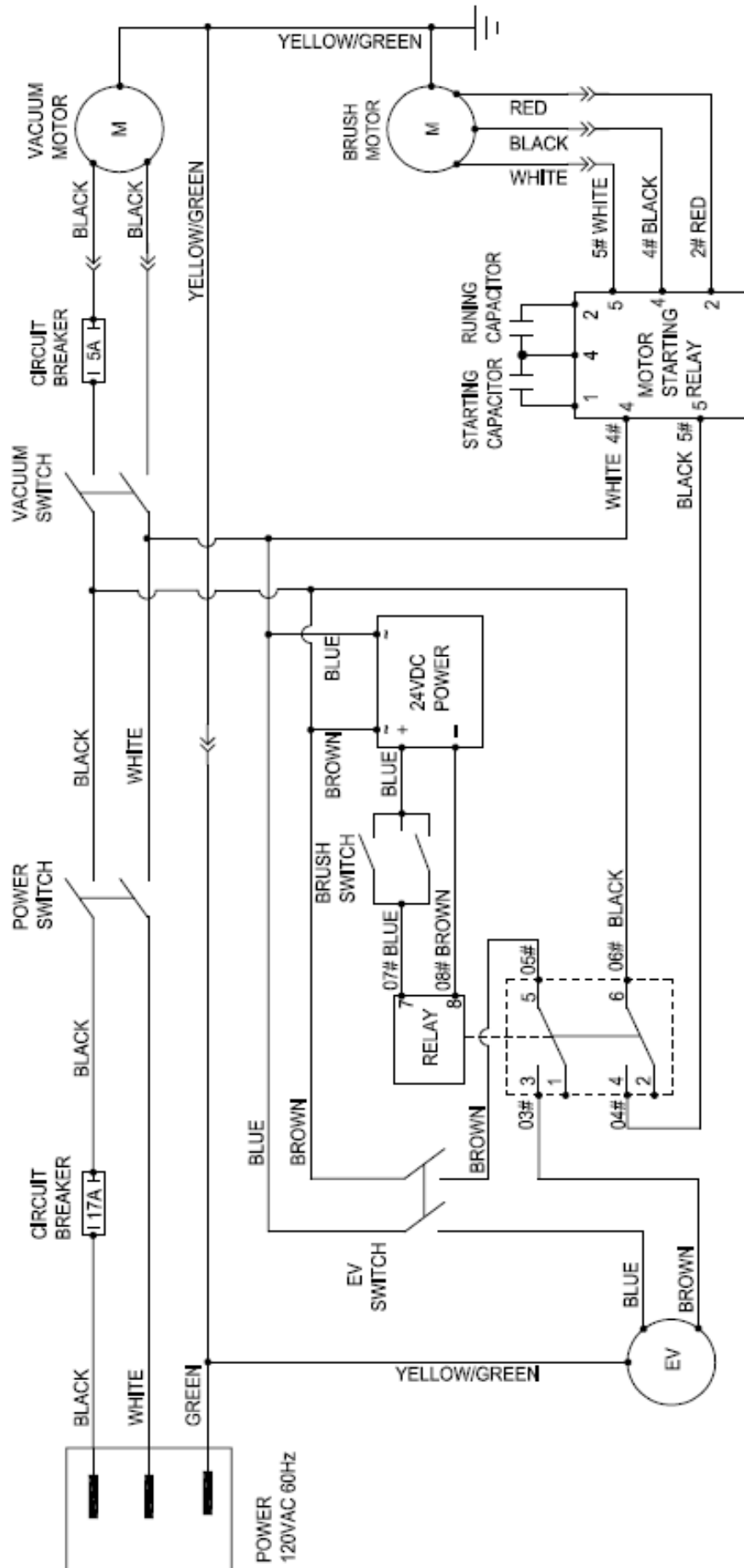
**Figura 12**

DIAGRAMA DEL CIRCUITO DE LOS MODELOS AS430C Y AS510C



RESOLUCIÓN DE PROBLEMAS

Breakdown	Probable Causes	Remedies
La máquina no funciona	Los cables no están conectados correctamente o cableado defectuoso	Revise el cableado y póngase en contacto con el distribuidor de Víper
	Motor del cepillo defectuoso	Póngase en contacto con el distribuidor de Víper
	Cepillo de carbón desgastado	Póngase en contacto con el distribuidor de Víper
El motor de respiración no funciona	Los cables no están conectados correctamente o cableado defectuoso	Revise el cableado y póngase en contacto con el distribuidor de Víper
	Motor de aspiración malo	Póngase en contacto con el distribuidor de Víper
	Cepillos de carbón desgastados	Póngase en contacto con el distribuidor de Víper
Poco o ningún flujo de solución	Válvula de bola defectuosa	Póngase en contacto con el distribuidor de Víper
	Válvula de la solución defectuosa	Póngase en contacto con el distribuidor de Víper
	La posición de la válvula de bola necesita un ajuste	Cuando la válvula de bola está en posición horizontal el flujo de la solución es máximo
	Filtro Sucio	Limpie el filtro
Nivel de vacío inadecuado	Tanque de ahua residual está lleno	Vacíe el tanque
	Manguera de aspiración de residuos y la escobilla de goma no están bien conectadas	Conecte la manguera de aspiración de residuos y la escobilla de goma
	Filtro del flotador o entrada atascados	Limpie el filtro del flotador, compruebe la bola del flotador
	Escobilla de goma sucia o lamina de la escobilla desgastada o deteriorada	Limpie o compruebe la escobilla de goma
	Tapa del tanque de recuperación no está bien apretada o la tira de sellado del tanque de agua está dañada	Apriete bien la tapa o reemplace la tira de sellado del tanque de agua
La escobilla de goma dejando rastros	Escombros y residuos debajo de la lámina	Quite los escombros
	Lámina de la escobilla de goma gastada, agrietada, quebradiza	Reemplace la lámina
	Balance de la escobilla de goma no ajustado	Ajuste el balance

RECICLAJE DE LA MÁQUINA

Use la máquina de trituración adecuada para destruir esta máquina.

Antes de destruir la máquina, por favor desmonte y deje aparte los siguientes materiales, que conforme a las leyes y regulaciones relevantes, deben ser aplicadas correctamente.

- Cepillo/Panel de la Almohadilla
- Tubos y otros componentes de plástico
- Componentes eléctricos y electrónicos (*)

(*): Por favor, póngase en contacto con el Centro de Víper más cercano (particularmente si se requiere el desguace de los componentes eléctricos y electrónicos).

TABELA DE CONTEÚDOS

INTRODUÇÃO	89
CONTEÚDOS DO MANUAL	89
FINALIDADE	89
PEÇAS DE SUBSTITUIÇÃO E MANUTENÇÃO	89
ALTERAÇÕES E MELHORAMENTOS	89
ÂMBITO DE APLICAÇÃO	89
DESEMBALAGEM/TRANSPORTE	89
GUIAS DE SEGURANÇA GERAL	90
DADOS TÉCNICOS	91
DESCRIÇÃO DA MÁQUINA	91
ESTRUTURA DA MÁQUINA	91
PAINEL DE CONTROLO	92
GUIA DE UTILIZAÇÃO	93
ANTES DE INICIAR A MÁQUINA	93
INSTALAÇÃO E DESCARREGAMENTO DO SUPORTE DE ESCOVA/ALMOFADA	93
AJUSTE DO EQUILÍBRIO DO SQUEEGEE	93
REGULAÇÃO DO VOLUME DE FLUXO DE ÁGUA	94
INICIAÇÃO E PARAGEM DA MÁQUINA	94
OPERAÇÃO DA MÁQUINA (ESCOVAGEM E SECAGEM)	95
ESVAZIAMENTO DO TANQUE	95
APÓS UTILIZAR A MÁQUINA	96
UTILIZAÇÃO PELA PRIMEIRA VEZ	96
MANUTENÇÃO E CUIDADO	96
TABELA DE MANUTENÇÃO PROGRAMADA	97
LIMPEZA DO SQUEEGEE	97
INSPECÇÃO E SUBSTITUIÇÃO DA LÂMINA DO SQUEEGEE	97
LIMPEZA DA ESCOVA/ALMOFADA	98
LIMPEZA DA REDE DO FILTRO DE FLUTUAÇÃO E TANQUE DE ÁGUA	98
LIMPEZA DO FILTRO DE SOLUÇÃO	99
IMAGEM DO CIRCUÍTO DE AS430C E AS510C	99
RESOLUÇÃO DE PROBLEMAS	101
ELIMINAÇÃO DA MÁQUIA	101

INTRODUÇÃO



NOTA

Os números em parêntesis referem-se aos componentes relacionados mostrados na secção de Descrição da Máquina.

CONTEÚDOS DO MANUAL

Este manual serve para fornecer ao operador a informação necessária para utilizar esta máquina de forma apropriada e segura. A informação inclui dados técnicos, segurança, operação, armazenamento, manutenção e eliminação da máquina. O operador e técnicos com qualificações relacionadas devem estudar cuidadosamente este manual antes de começar a operação e manutenção desta máquina. Por favor contacte a VIPER para qualquer questão deste manual ou se necessitar de informação relacionada.

FINALIDADE

A finalidade deste manual é de habilitar o operador e técnicos qualificados para realizarem a manutenção desta máquina.

O operador não deve realizar as operações que só devem ser realizadas por técnicos. A VIPER não se responsabiliza por quaisquer danos causados pelo incumprimento desta regra.

PEÇAS DE SUBSTITUIÇÃO E MANUTENÇÃO

Todos os processos de operação, manutenção e reparação devem ser realizados por pessoal qualificado ou pelos centros de assistência da VIPER.

Só devem ser utilizados peças e acessórios de substituição autorizados.

Se necessitar de assistência ou de comprar peças ou acessórios de substituição, contacte a VIPER e informe o número do modelo e números de série da máquina.

ALTERAÇÕES E MELHORAMENTOS

A VIPER melhora os seus produtos continuamente. A VIPER reserva-se ao direito de alterar e melhorar as máquinas, e também ao direito de decidir se os benefícios das alterações são aplicáveis aos produtos já vendidos. Todas as alterações ou acessórios extra devem ser aceites pela VIPER e devem ser realizados pela companhia.

ÂMBITO DE APLICAÇÃO

Esta escova é utilizada em ambientes domésticos e industriais, e é adequada para a limpeza de chão suave e duro (escovagem e colecção de desperdício de água). Deve ser utilizada por operadores qualificados e num ambiente seguro. Esta escova não pode ser utilizada para limpeza em exterior, em tapetes nem em chão relativamente áspero.

DESEMBALAGEM/TRANSPORTE

Siga cuidadosamente as instruções da embalagem quando desembalar.

Na entrega, inspeccione a embalagem e a máquina de modo a assegurar-se que nenhum dano ocorreu durante o transporte. Se existe danos visíveis, mantenha a forma original, e peça ao transportador para confirmar e preencher a lista de danos para compensação.



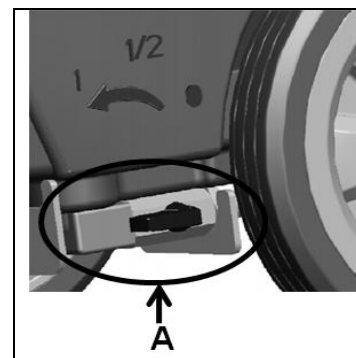
— CUIDADO

Quando desembalar e descarregar, ou durante o transporte da máquina em chão com escadas, tenha cuidado para evitar que o interruptor on/off de regulação do fluxo de água bata, Parte A na figura à direita.

Verifique se a máquina está equipada com os itens seguintes:

Documentos técnicos

— Manual do Utilizador da Escova



GUIAS DE SEGURANÇA GERAL

Avisos e notas especiais sobre danos potenciais (pessoais e máquina):



AVISO!

- A máquina só pode ser operada sob as condições deste manual. Unicamente os acessórios aprovados pela VIPER devem ser utilizados.
- Esta máquina só deve ser utilizada por pessoal treinado ou autorizado. Crianças e pessoas inapropriadas não devem utilizar esta máquina.
- Quando trabalhar perto de peças eléctricas, não tenha jóias no corpo. Siga todas as medidas de precaução para evitar que o cabelo, jóias e roupas largas fiquem presas nas partes móveis da máquina.
- Não utilize esta máquina em áreas particularmente sujas. Não limpe a máquina directamente com água. Não deixe que a máquina entre em contacto com líquidos corrosivos.
- A temperatura para armazenamento e para o ambiente de funcionamento da máquina deve ser entre 0 - 40°C.
- A humidade do ar deve ser entre 30% - 105%.
- Não utilize a máquina em declives com inclinação superior a 2%.
- Em caso de incêndio, utilize extintores de pó seco. Não utilize extintores de fogo líquidos.
- Preste atenção particular quando a máquina é transportada em temperaturas inferiores a 0°C. O tanque de água e a água nas mangueiras podem congelar e causar danos sérios à máquina.
- Utilize as escovas e almofadas fornecidos com a máquina e as especificadas no Manual do Utilizador. A utilização de outras escovas ou almofadas podem reduzir a segurança.
- No caso de funcionamento defeituoso, certifique-se que não é causado por falta de manutenção. Se for causado por outras condições, peça assistência do pessoal autorizado ou centro de assistência.
- Se for confirmado que as peças de substituição têm de ser substituídas, guarde as peças originais dos fornecedores ou agentes autorizados.
- De modo a assegurar a operação segura e correcta da máquina, deixe o pessoal autorizado ou centro de assistência realizar a manutenção programada de acordo com os horários de manutenção das secções relacionadas do manual.
- Esta máquina deve ser deitada for a correctamente uma vez que poderão existir substâncias venenosas e perigosas, e estas substâncias devem ser deitadas fora por centros especiais de acordo com as leis e regulamentos (refira à secção de eliminação da máquina).

DADOS TÉCNICOS

Modelo	AS430C	AS510C
Altura da Máquina	980mm	
Capacidade do tanque de solução	50 litros	
Capacidade do tanque de recuperação	50 litros	
Diâmetro da roda de transporte	200mm	
Diâmetro da roda guia	63.5mm	
Potência do motor do sistema de vácuo	400w	
Gradiente máximo em funcionamento	2%(Máx)	
Nível da pressão do some m estação de trabalho	72dB(A) ±3dB(A)	
Comprimento do cabo	20m	
Capacidade do circuito do sistema de vácuo	1200 mm H ₂ O	
Largura de limpeza	430mm	510mm
Largura do squeegee	730mm	790mm
Comprimento máximo da máquina	1060mm	1100mm
Largura da máquina sem squeegee	480mm	540mm
Diâmetro da escova	430mm	510mm
Peso com tanques vazios	70kg	74kg
Peso bruto da máquina pronto a utilizar	120kg	124kg
Potência do motor da escova	750W	
Velocidade da escova	150rpm	
Pressão máxima da escova/suporte de almofada	32kg (Máx)	35kg(Máx)
Tamanho da embalagem (Cx L x A)	1200 x 610 x 1170mm	

DESCRIÇÃO DA MÁQUINA**ESTRUTURA DA MÁQUINA**

1. Botão interruptor de segurança
2. Guião
3. Painel de controlo
4. Placa do número de série/ Dados técnicos / Certificado de conformidade
5. Protecção do controlo
6. Não disponível
7. Não disponível
8. Interruptor de reinício
9. Cabo de energia
10. Tampa da bateria
11. Tubo de vácuo para desperdícios
12. Cabo extensível do squeegee
13. Não disponível
14. Puxador de elevação do squeegee
15. Mangueira de drenagem
16. Botão fixo do squeegee
17. Clipe do squeegee
18. Lâmina do squeegee
19. Encaixe de apoio do squeegee
20. Volante de ajuste do squeegee
21. Encaixe do suporte traseiro do squeegee
22. Encaixe do suporte frontal do squeegee
23. Suporte do copo
24. Puxador da tampa do tanque de recuperação
25. Tampa do tanque de recuperação
26. Corpo do tanque
27. Tampa da entrada de água
28. Protecção da escova
29. Suporte da escova/almofada
30. Motor do sistema de vácuo
31. Motor da escova
32. Roda de 8"
33. Não disponível
34. Tubo de vácuo
35. Caixa eléctrica
36. Filtro de flutuação
37. Tubo de nível de água (para indicar a quantidade de água no Tanque de Solução)

FIGURAS DA ESTRUTURA DA MÁQUINA

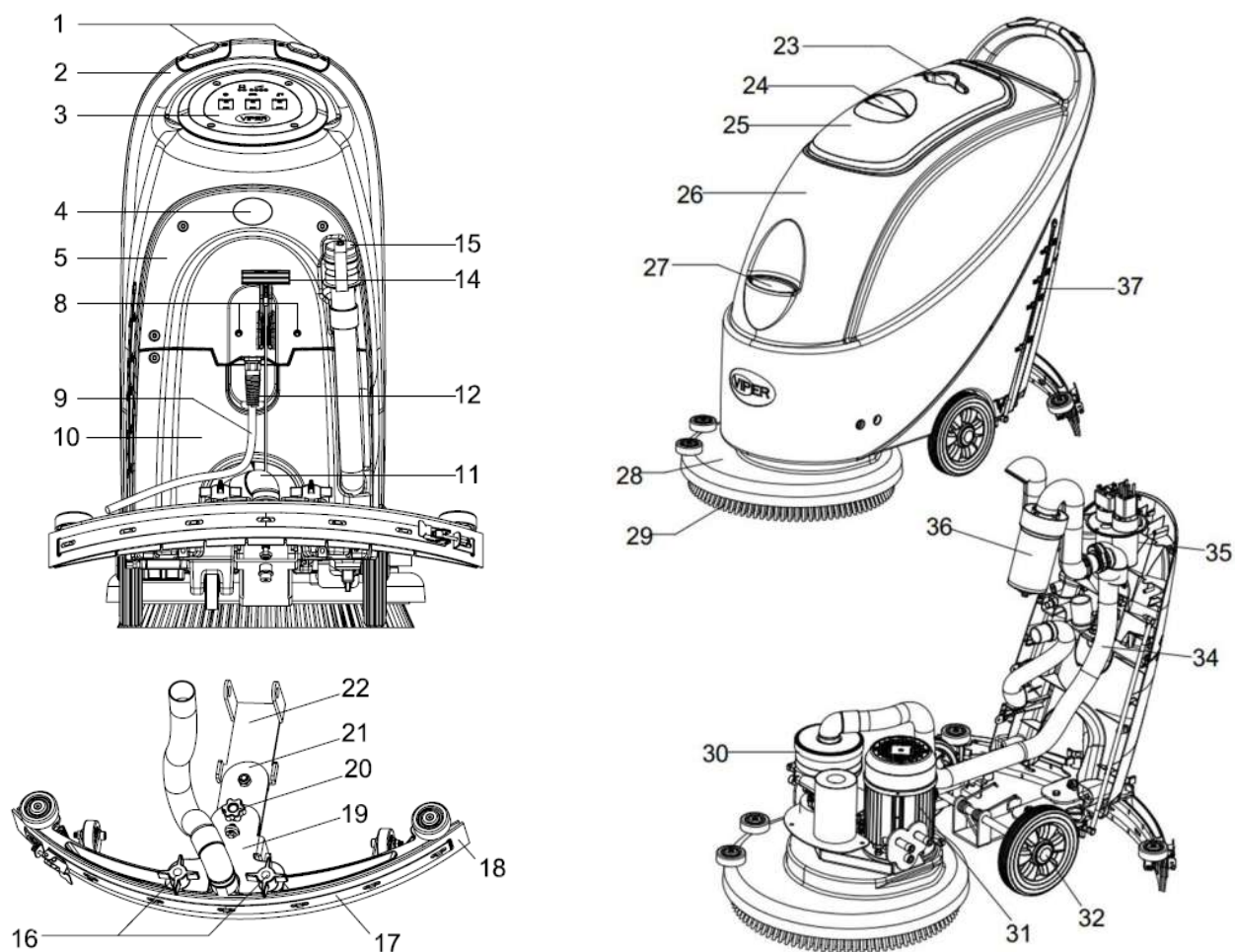


Figura 1

PAINEL DE CONTROLO (Figura 2)

- 38. Interruptor de energia
- 39. Interruptor do vácuo
- 40. Interruptor da válvula solenóide

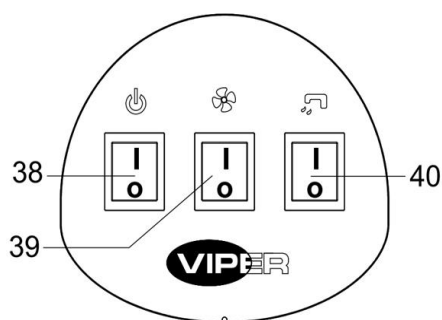


Figura 2

GUIA DE UTILIZAÇÃO



AVISO

Em certas partes da máquina, existem alguns sinais indicadores:

- PERIGO
- AVISO
- CUIDADO
- CONSULTA

Quando ler este manual o operador deve prestar atenção particular aos símbolos destes sinais. Não cobre estes sinais sob nenhuma circunstância. Se os mesmos foram danificados, substitua imediatamente.

ANTES DE INICIAR A MÁQUINA

INSTALAÇÃO E DESCARREGAMENTO DO SUPORTE DE ESCOVA/ALMOFADA



NOTA

De acordo com o tipo de chão a ser limpo, deve instalar o suporte da escova (Figura 3, A) ou da almofada (Figura 3, B e C).



CUIDADO!

Quando instalar ou descarregar o suporte de escova/almofada manualmente, verifique primeiro se todos os interruptores estão na posição OFF e levante o squeegee do chão. Após este procedimento, pode instalar o suporte da escova ou almofada. Além disso, utilize luvas protectoras para evitar que se corte em fragmentos.

1. (Só aplicável para **AS430C** e **AS510C**): certifique-se que cabo de energia (9) está desligado da fonte de alimentação e o interruptor (38) está na condição desligada (O).
2. Pressione o guião (2) para levantar o corpo do tanque (26).
3. Coloque o suporte de escova (A) ou almofada (B-C) debaixo da caixa.
4. Utilize o guião (2) para baixar o corpo do tanque (26) para entrar em contacto com o suporte da escova ou almofada.
5. Para instalar o suporte da escova/almofada automaticamente, mude o interruptor de energia (38) para a posição "I" e pressione o interruptor de segurança (1). Empurre gentilmente a máquina para a frente para permitir que a roda no fundo do corpo do tanque se alinhe com o suporte de escova ou almofada, ficando bem instalado. Se necessário, repita este procedimento até o suporte de escova/almofada estar completamente instalado.
6. Se o Passo 5 acima for difícil de completar, utilize o método manual seguindo a seta (D) para instalar o suporte de escova/almofada (como mostrado na **Figura 3**).
7. Para descarregar o suporte de escova/almofada automaticamente, mude o interruptor de energia (38) para a posição "O". Utilize a sua mão para segurar o guião, e pressione a máquina para baixo até que a roda guia toque no chão e o suporte de escova/almofada fique no ar. Mude o interruptor de energia (38) para a posição "I", e pressione o interruptor de segurança para girar o suporte de escova/almofada até que caia no chão.
8. Se o Passo 7 acima for difícil de completar, utilize o método manual de girar o suporte na direcção oposta ao encaixe, e poderá retirá-lo (como mostrado na **Figura 3**).

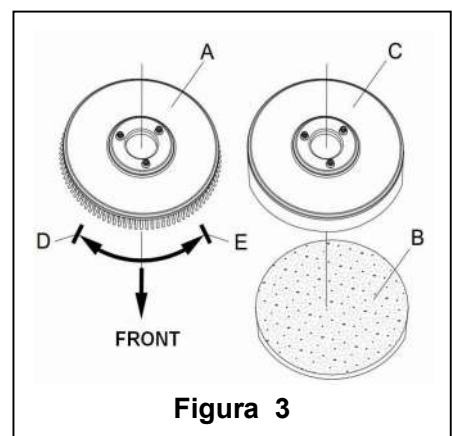


Figura 3

AJUSTE DO EQUILÍBRIO DO SQUEEGEE

9. Instale o squeegee e aperte-o bem no guião (16). Conecte o tubo de vácuo (11) para desperdícios ao squeegee.
10. Ajuste o squeegee através do punho de ajuste (A) do squeegee (veja a **Figura 4**).

- 1) Se a secção do meio da fita traseira do squeegee, secção B, tiver um intervalo com o chão ou a pressão para baixo for relativamente leve, ajuste o guião para a direcção contra os ponteiros do relógios até o comprimento completo da fita traseira do squeegee ficar em contacto completo com o chão. A fita frontal do squeegee deve tocar levemente no chão.
- 2) Se as duas pontas da fita traseira do squeegee, secções C e D, tiverem um intervalo com o chão ou a pressão para baixo for relativamente leve, ajuste o guião para a direcção dos ponteiros do relógios até o comprimento completo da fita traseira do squeegee ficar em contacto completo com o chão. A fita frontal do squeegee deve tocar levemente no chão.

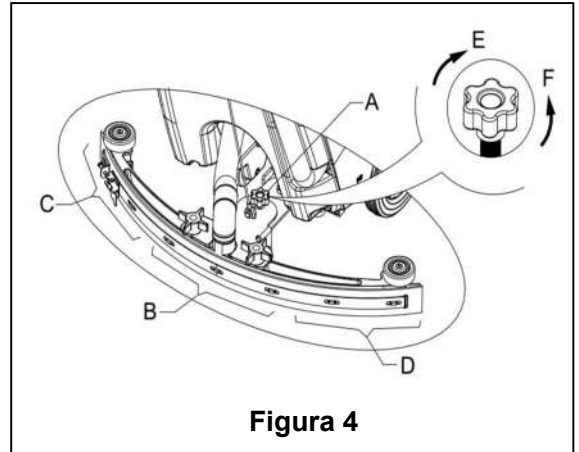


Figura 4

Enchimento do tanque de solução



CUIDADO!

Só pode utilizar detergentes de pouca espuma e não inflamáveis. Estes detergentes devem ser adequados para a utilização com escovas.

11. Abra a tampa da entrada de água (27) e adicione água no tanque de solução. Não deixe que transborde. Encha até perto da beira do suporte do filtro da entrada de água. Quando preparar as soluções de limpeza, siga as proporções de diluição fornecidas pelo fabricante do químico e a temperatura da água não deve exceder os 40^o C.

REGULAÇÃO DO VOLUME DE FLUXO DE ÁGUA



AVISO!

A regulação da alavanca da válvula de bola (A, Figura 5) deve ser realizada quando o interruptor de energia (38) está na posição "O".

12. O volume do fluxo de água pode ser ajustado através da alavanca da válvula de bola (A, Figura 5) de acordo com a quantidade de água necessária para escovar o chão.

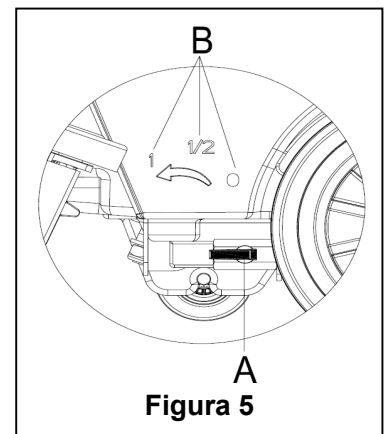


Figura 5

INICIAÇÃO E PARAGEM DA MÁQUINA

Iniciar a máquina

1. Complete os passos preparatórios acima.
2. Ligue o cabo de energia (9) a uma fonte de alimentação de voltagem correspondente, e pressione o interruptor de energia (38) para a posição "I".
3. Utilize a alavanca do squeegee (14) para baixar o squeegee.
4. Pressione o interruptor de vácuo (39) para a posição "I".
5. Pressione o interruptor de controlo de volume do fluxo de água (40) para a posição "I". (Trabalhe simultaneamente com o interruptor de segurança (1) para controlar o funcionamento da válvula solenóide.)
6. Segure o interruptor de segurança (1) e empurre para over a máquina. A escova (29) começa a rodar, e a máquina inicia o trabalho de limpeza.



CONSULTA: Como empurrar a máquina

Uma das características da máquina é a instalação de dois interruptores de segurança de ambos os lados do guião. Cada interruptor de segurança é capaz de controlar independentemente a operação da escova. Durante a utilização, facilita o controlo da operação da máquina.

Após experiência, o método de mover a máquina como mostrado na Figura 6 à direita é mais adequado, os utilizadores estão mais confortáveis nas mãos, e reduz a fadiga de trabalho. Por isso, recomendamos que os utilizadores movam a máquina seguindo este método.

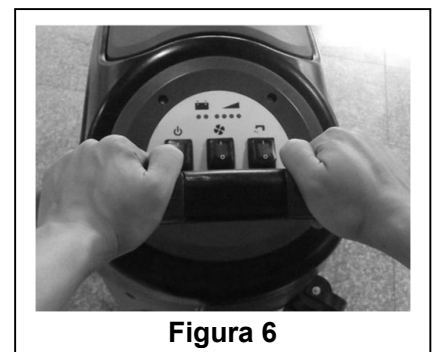


Figura 6

Desligar a máquina

- Quando terminar de utilizar a máquina, primeiro, retire o suporte de escova/almofada (refira aos passos relacionados na secção de instalação e descarregamento do suporte de escova/almofada).
- Liberte o interruptor de segurança (1) para desligar o suporte de escova/almofada e a válvula solenóide.
- Pressione o interruptor de bomba de vácuo (39) para a posição "O", e a bomba do vácuo irá atrasar por 5 segundos antes de parar de funcionar.
- Pressione o interruptor de controlo de volum de fluxo de água (40) para a posição "O" para desligar completamente o funcionamento da válvula solenóide.
- Pressione o interruptor de energia (38) para a posição "O". e desligue o cabo de energia (9) da fonte de alimentação.
- Utilize o puxador de elevação do squeegee (14) para elevar o squeegee.
- Agarre o guião (2) e incline gentilmente a máquina para trás até a roda guia (B) tocar no chão. Veja a **Figura 7**.

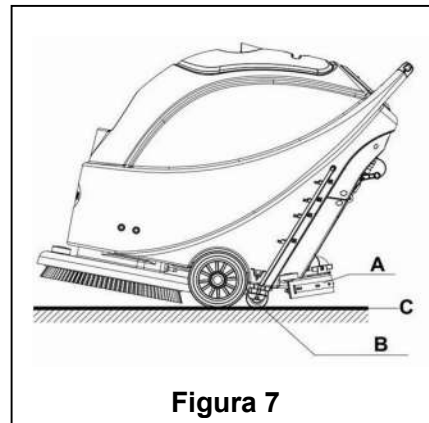


Figura 7

OPERAÇÃO DA MÁQUINA (ESCOVAGEM E SECAGEM)

- Inicie a máquina de acordo com a descrição acima.
- Segure o interruptor de segurança (1) (de acordo com a **Figura 6**), empurre para mover a máquina e inicie a limpeza.
- Se necessário, desligue a máquina, e ajuste o punho regulador do squeegee. (Refira aos passos para ajustar o equilíbrio do squeegee).
- Se necessário, desligue a máquina, e ajuste o volume do fluxo de água com a alavanca de válvula de bola. (Refira aos passos de ajuste de volume do fluxo de água.)



CUIDADO!

De modo a evitar danos no chão, quando a máquina ficar num local sem se mover, desligue o interruptor de energia (38).

ESVAZIAMENTO DO TANQUE

Quando o tanque de recuperação estiver cheio, o objecto flutuante no dispositivo flutuante para desligar automático (36) irá bloquear a entrada que liga a bomba do vácuo. Após o aumento de barulho da bomba de vácuo, pode ser considerado que a bomba de vácuo está sobrecarregada e uma drenagem imediata da água em excesso é necessária.



CUIDADO!

Se a bomba do vácuo for desligada repentinamente (por ex. Devido à máquina ser movida repentinamente resultando na activação da flutuação), e se o resumo da operação for necessário, siga os seguintes passos: pressione o interruptor de energia (38 e 39) para desligar a alimentação e a bomba de vácuo, e abra a tampa do tanque de recuperação (25) par verificar se o objecto de flutuação no filtro regressou à superfície da água. Feche a tampa do tanque de recuperação (25), e pressione o interruptor de energia (38 e 39) para ligar a alimentação e a bomba de vácuo.

Quando o tanque de recuperação estiver completamente cheio com água de desperdício, siga os seguintes passos para a drenar.

Esvaziamento do tanque de recuperação

- Desligue a máquina.
- Utilize o puxador de elevação do squeegee (14) para elevar o squeegee.
- Mova a máquina para um local de despejo indicado.
- Agarre o guião (2) e incline gentilmente a máquina para trás até a roda de guia tocar no chão. (Para acoplamento da máquina refira à secção de paragem da máquina).
- Retire a mangueira de drenagem do clipe de fixação, dobre a ponta superior da mangueira (como mostrado em **A, Figura 8**), e abra a tampa da mangueira de drenagem, baixe-a para um nível baixo ou coloque-a no chão para drenar a água. Alternativamente, baixe-a para um nível

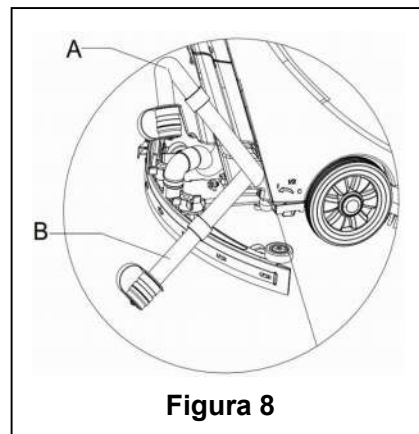


Figura 8

baixo ou coloque-a no chão para que a saída de água fique apontada para baixo (como mostrado em **B, Figura 8**), e gire para abrir a tampa de drenagem de água para drenar a água de desperdício no tanque. Após terminar de drenar, utilize água pura para limpar o interior do tanque de recuperação.



CUIDADO!

Quando drenar a água de desperdício, o tubo de vácuo para desperdício deve ser dobrado ou baixado para uma posição baixa (como mostrado na Figura 8 em **A** ou **B**). Abra a tampa do tubo de vácuo para desperdícios para drenar a água. Não aponte a saída do tubo de vácuo para desperdícios para cima com objectivo de drenar a água verticalmente. Isto serve para evitar que salpique o operador.

Esvaziamento do tanque de solução

6. Complete os passos 1 a 4.
7. Como mostrado na **Figura 9**, gire para abrir a tampa do tanque de solução (A) na direcção contrária aos ponteiros do relógio seguindo a direcção C, e drene completamente o tanque de solução. Utilize água pura para limpar dentro do tanque. Quando terminar, gire bem a tampa do tanque de solução (A) na direcção dos ponteiros seguindo a direcção B.

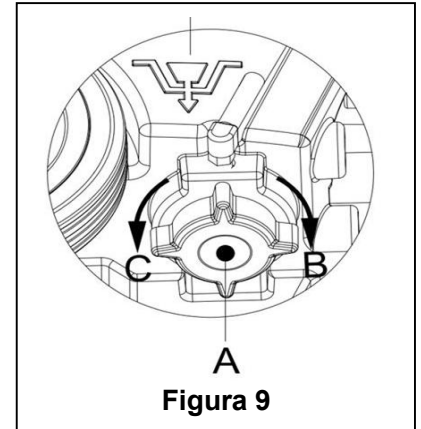


Figura 9

APÓS UTILIZAR A MÁQUINA

Quando terminar a limpeza e antes de deixar a máquina, complete os seguintes passos:

1. Siga o processo descrito na secção acima sobre a instalação e descarregamento do suporte da escova/almofada, e retire-o
2. Siga os processos descritos acima nas secções relacionadas, drene a água completamente do tanque de solução e do tanque de recuperação.
3. Complete os processos de manutenção diários (refira à secção de manutenção).
4. Armazene a máquina, incluindo o suporte de escova/almofada e squeegee num local limpo e seco. O squeegee deve ser levantado ou retirado.

UTILIZAÇÃO PELA PRIMEIRA VEZ

Após utilizar pelas primeiras 9 horas, verifique todas as partes para se certificar que nada ficou solto ou danificado durante a operação, e verifique que existe qualquer dano ou vazamento visível.

MANUTENÇÃO E CUIDADO

A duração de serviço e a segurança de operação máxima da máquina são asseguradas pela manutenção e cuidado apropriado e atempado.

A tabela abaixo fornece um plano de manutenção geral para a máquina. Os intervalos de tempo de manutenção são determinados pelas condições de funcionamento da máquina. Estes intervalos de tempo devem ser formulados pelo pessoal responsável pela manutenção.



AVISO!

Só deve realizar estes processos unicamente após a máquina ser desligada. Antes de proceder com qualquer manutenção, estude atentamente as secções de segurança relacionadas.

Toda a manutenção no plano ou adicional deve ser realizada por pessoal qualificado ou centros de assistência autorizados.

Este manual só indica os procedimentos de manutenção mais simples e comuns.

Para qualquer processo de manutenção para além daqueles mencionados nesta tabela de manutenção, refira ao manual de manutenção do centro de assistência.

TABELA DE MANUTENÇÃO PROGRAMADA

Procedimento	Diário, após utilização da máquina	Semanal	Todos os 6 meses	Anual
Limpeza do squeegee				
Limpeza do suporte de escova/almofada				
Limpeza do tanque d água e filtro de flutuação, inspecção das fitas de selagem do tanque de água				
Inspeção e substituição da fita do squeegee				
Limpeza do filtro de solução				
Limpeza do filtro do motor de vácuo				
Inspecção do aperto das porcas e parafusos			(1)	
Inspeção ou substituição da escova de carbono do suporte de escova/almofada				(2)
Inspecção ou substituição da escova de carbono do motor de vácuo				(2)

(1) Deve ser realizada 9 horas após a máquina começar a funcionar.

(2) Estes procedimentos de manutenção devem ser realizados pelo Centro de Assistência Autorizado VIPER.

LIMPEZA DO SQUEEGEE



NOTA

De modo a manter o efeito óptimo do Vácuo de água, deve manter o squeegee limpo, e manter a fita do squeegee em boas condições.



CUIDADO !

Quando limpar o squeegee, recomendamos que utilize luvas protectoras uma vez que o squeegee pode conter fragmentos afiados.

1. Mova a máquina para uma superfície plana e suave.
2. Pressione o interruptor de energia (38) para a posição "O" para desligar a máquina.
3. Desaparafuse o botão fixo (16) do squeegee; retire o conector que liga o tubo do vácuo de recuperação do squeegee para o retirar.
4. Utilize o puxador de elevação do squeegee (14) para elevar o encaixe de suporte do squeegee.
5. Limpe o squeegee (**Figura 10**). Limpe bem a ranhura (**A, Figura 10**) e a sujidade e fragmentos do tubo de vácuo. Verifique se a lâmina frontal do squeegee (C) e lâmina traseira do squeegee (D) estão intactas, e se existem beiras e rachas. Substitua se necessário (refira aos passos na secção seguinte).
6. Reinstale o squeegee em ordem reversa.

INSPECÇÃO E SUBSTITUIÇÃO DA LÂMINA DO SQUEEGEE

1. Siga os métodos relacionados na secção anterior para limpar o squeegee (**Figura 10**).
2. Verifique a beira (**E, Figure 10**) da lâmina frontal do squeegee e a beira (F) da lâmina traseira do squeegee (D). Devem estar no mesmo nível por todo o comprimento. Caso contrário, ajuste as alturas através dos seguintes passos.
 - Solte o clipe (G) para que a lâmina traseira do squeegee (D) se separe do suporte (M) para o ajuste da posição do squeegee. Após o ajuste, bloqueie o clipe novamente.
 - Desaparafuse o encaixe (I) para ajustar a lâmina frontal do squeegee (C); aperte o parafuso do encaixe após o ajuste.
3. Verifique se a lâmina frontal do squeegee (C) e a lâmina traseira do squeegee (D) está intacta e se existem beiras e rachas partidas. Se necessário, substitua de acordo com os seguintes passos. Verifique se a beira frontal da lâmina traseira do squeegee (J) está desgastada. Se for o caso, pode ser instalada ao contrário (a lâmina superior tem de estar intacta). Se a beira superior também estiver desgastada, substitua através dos passos abaixo:
 - Solte o clipe (G) para deixar que a lâmina de pressão se separe do encaixe (M), retire a barra do clipe (K), e substitua ou gire a lâmina traseira do squeegee (D) ao contrário. Reinstale a lâmina traseira do squeegee em ordem contrária.

- Desaparafuse o encaixe (I) para retirar a barra do clipe frontal (L), e substitua o squeegee frontal (C).
Reinstale a lâmina frontal do squeegee em ordem contrária.
Após substituir a lamina do squeegee (ou instalar ao contrário), ajuste o nível das lâminas frontal e traseira do squeegee seguindo os passos acima.
- 4. Conecte o tubo de vácuo (11) ao squeegee.
- 5. Instale o squeegee e utilize o botão (16) para o apertar, e conecte o tubo de vácuo ao squeegee.
- 6. Se necessário, ajuste o squeegee através do volante de ajuste (20) (refira aos processos para ajuste do equilíbrio do squeegee).

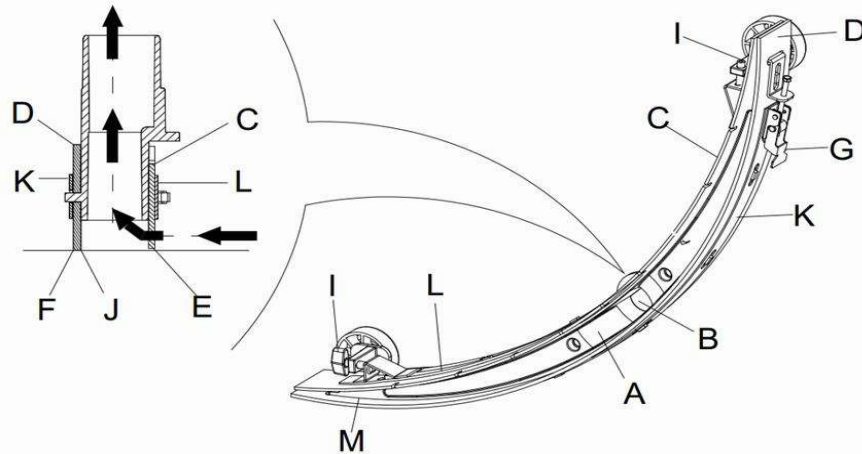


Figura 10

LIMPEZA DA ESCOVA/ALMOFADA



CUIDADO!

Quando limpar o suporte da escova/almofada, recomendamos que utilize luvas protectoras uma vez que poderá conter fragmentos afiados.

1. Seguindo os passos das secções anteriores, retire o suporte da escova/almofada.
2. Limpe o suporte da escova/almofada com água e detergente.
3. Verifique a condição de perfeição e desgaste dos pelos da escova e, se necessário, substitua a escova.
4. Verifique a condição de desgaste do suporte de almofada e, se necessário, substitua o suporte..

LIMPEZA DA REDE DO FILTRO DE FLUTUAÇÃO E TANQUE DE ÁGUA

1. Mova a máquina para um local dedicado a despejo.
2. Pressione o interruptor de energia (38) para a posição "O" para desligar a máquina.
3. Abra a tampa do tanque de recuperação (A, Figura 11), e retire o dispositivo de flutuação (36) do tanque de recuperação.
4. Utilize água pura para limpar a tampa (A), o tanque de recuperação (B e C), e o encaixe de suporte do filtro de flutuação (E). Drene toda a água do tanque através do tubo de recuperação (15).
5. Se necessário, seguindo os símbolos "Abrir" e "Fechar" como mostrado na Figura 11, abra a tampa inferior (F) do filtro de flutuação e limpe o objecto flutuante (D), o encaixe de suporte de filtro de flutuação (E), e a esponja do filtro (I). Após a limpeza, fixe o objecto de flutuação ao encaixe de suporte de filtro de flutuação (E), e alinhe a ranhura (L) da tampa inferior (F) do filtro de flutuação com a ranhura (L) encaixe de suporte de filtro de flutuação (E). Aperte bem a tampa inferior (F) do filtro de flutuação, e fixe a esponja do filtro (I) no encaixe de suporte de filtro de flutuação (E), e de seguida no tubo de vácuo (M).
6. Verifique a solidez do anel de selagem (G) da tampa do tanque de água.



NOTA

A fita de selagem (G) do tanque de água faz com que o mesmo crie vácuo. Deve ser completamente selado para poder sugar efectivamente a água de desperdícios do chão.

Se necessário, a fita de selagem do tanque de água (G) pode ser retirada da ranhura (H) e substituída. Quando montar uma fita de selagem para o tanque de água, como mostrado na **Figura 11** abaixo, instale o conector na secção do meio da parte traseira.

7. Verifique se a superfície receptora da fita de selagem (G) está intacta e sela adequadamente.
8. Feche a tampa do tanque de recuperação (A).

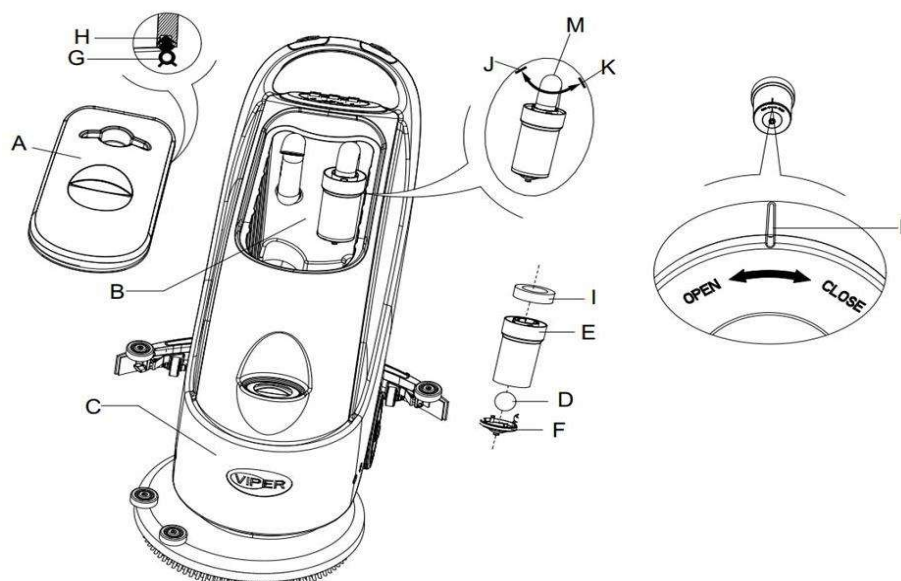


Figura 11

LIMPEZA DO FILTRO DE SOLUÇÃO

1. Drene toda a água do tanque de solução como introduzido nas secções relacionadas.
2. Mova a máquina para um local plano e suave.
3. Pressione o interruptor de energia (38) para a posição "O" para desligar a máquina.
4. Desligue a válvula de bola de drenagem (A, **Figura 12**) (localizada no fundo da máquina, atrás das rodas). Posição B: válvula de bola aberta; Posição C: válvula de bola fechada.
5. Retire a tampa transparente (D), e retire o filtro (E), e instale-os na caixa de filtro (F) após a limpeza.



NOTA

O filtro (E) deve ser instalado correctamente na posição de projecção (G).

6. Abra a válvula de bola de drenagem (A).

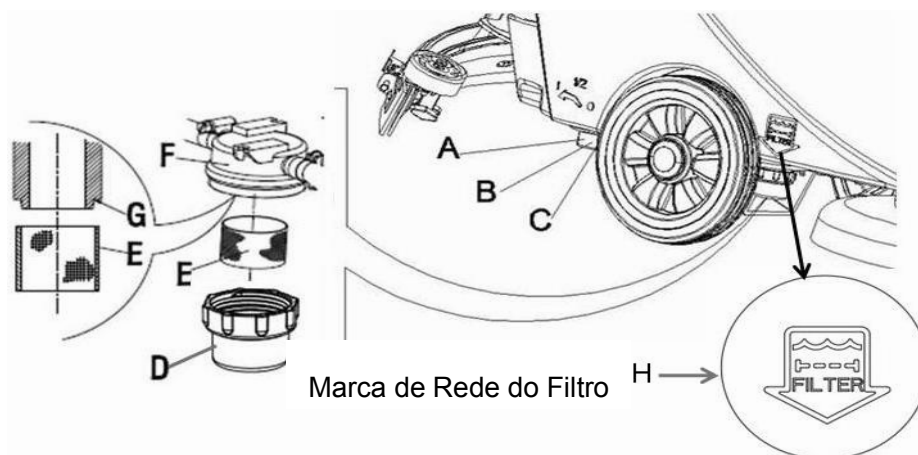
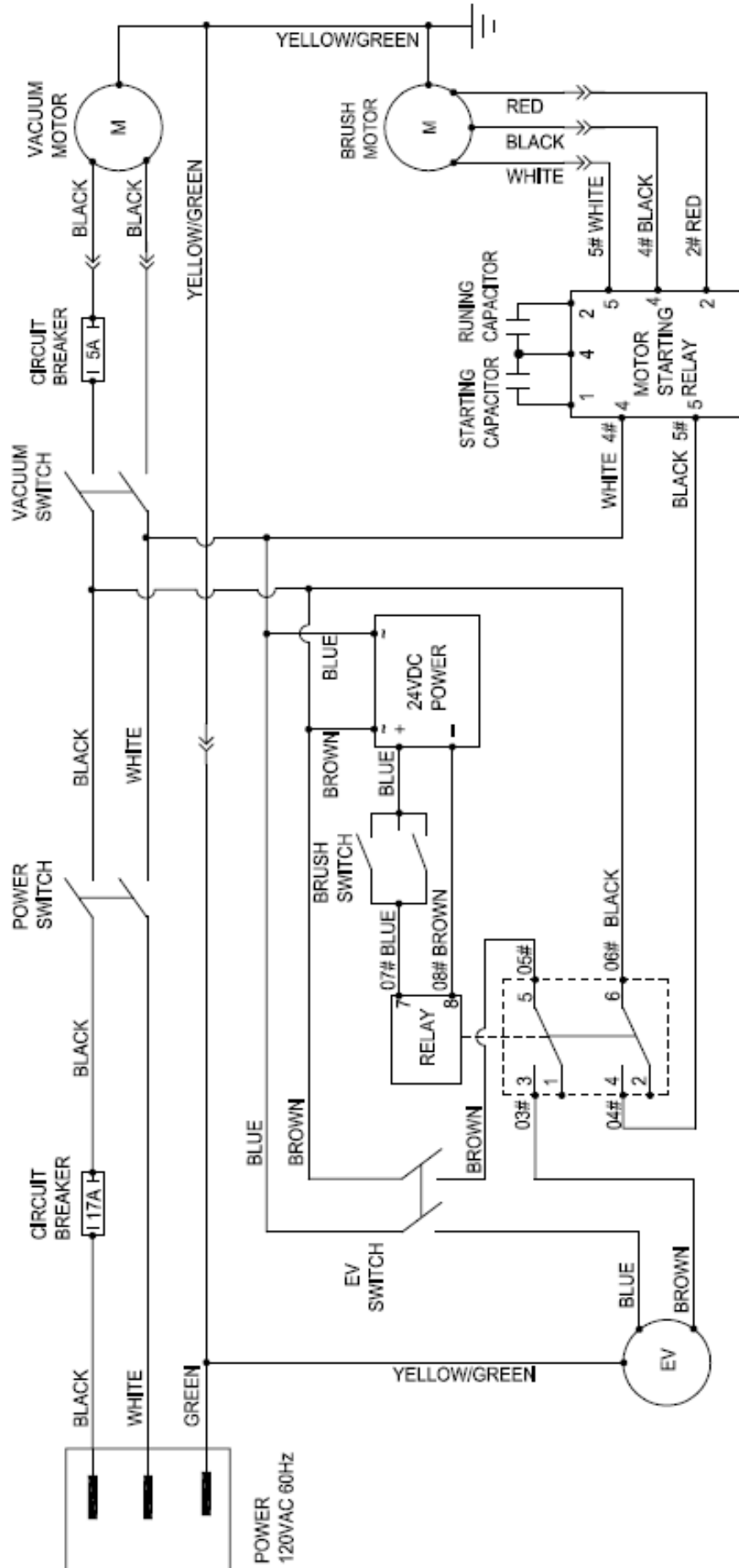


Figura 12

IMAGEM DO CIRCUITO DE AS430C E AS510C



RESOLUÇÃO DE PROBLEMAS

Avaria	Causas Prováveis	Soluções
Máquina não funciona	Fiação não ligada correctamente ou com defeito	Verifique a fiação ou contacte o Distribuidor da Viper
	Motor de escova estragada	Contacte o Distribuidor da Viper
	Escova de carbono desgastada	Contacte o Distribuidor da Viper
Motor de vácuo não funciona	Fiação não ligada correctamente ou com defeito	Verifique a fiação ou contacte o Distribuidor da Viper
	Motor de vácuo estragado	Contacte o Distribuidor da Viper
	Escova de carbono desgastada	Contacte o Distribuidor da Viper
Fluxo de solução escasso ou inexistente	Válvula de bola estragada	Contacte o Distribuidor da Viper
	Válvula de solução estragada	Contacte o Distribuidor da Viper
	Posição de válvula de bola necessita de ajuste	Quando a válvula de bola estiver na horizontal, a quantidade de fluxo de solução é máxima
	Filtro sujo.	Limpe o filtro
Vácuo Inadequado	Tanque de lixo está cheio.	Drene o tanque de água
	Tubo de vácuo para lixo e squeegee não ligados correctamente	Ligue o tubo de vácuo para lixo ao squeegee
	Filtro de flutuação ou entrada bloqueados	Limpe o filtro de flutuação e verifique a bola de flutuação
	Squeegee sujo ou lamina de squeegee danificada ou desgastada	Limpe e verifique o squeegee
	Tanque de recuperação não ligado correctamente, ou a faixa de selamento do tanque de água está danificada	Coloque a tampa correctamente ou mude a fita de selamento do tanque de água
Squeegee deixa marcas	Detritos, como fragmentos, debaixo da lâmina do squeegee	Retire os fragmentos
	Lâmina do squeegee já desgastada, partida ou frágil.	Altere a lamina do squeegee
	Equilíbrio do squeegee não ajustado	Ajuste o equilíbrio

ELIMINAÇÃO DA MÁQUINA

Utilize uma máquina de destruição qualificada para destruir esta máquina.

Antes de destruir esta máquina, retire e segregue os seguintes materiais os quais, segundo as leis e regulamentos relacionados, devem ser processados correctamente.

- Suporte de escova/almofada
- Mangueiras de plásticos e componentes de plástico
- Componentes eléctricos e electrónicos (*)

(*): Contacte o centro VIPER mais próximo (especialmente quando for necessário demolir os componentes eléctricos e electrónicos).

ΠΕΡΙΕΧΟΜΕΝΑ

ΕΙΣΑΓΩΓΗ.....	103
ΠΕΡΙΕΧΟΜΕΝΑ ΕΓΧΕΙΡΙΔΙΟΥ.....	103
ΣΚΟΠΟΣ	103
ΑΝΤΑΛΛΑΚΤΙΚΑ ΚΑΙ ΣΥΝΤΗΡΗΣΗ	103
ΑΛΛΑΓΕΣ ΚΑΙ ΒΕΛΤΙΩΣΕΙΣ	103
ΠΕΔΙΟ ΕΦΑΡΜΟΓΗΣ	103
ΑΠΟΣΥΣΚΕΥΑΣΙΑ / ΜΕΤΑΦΟΡΑ.....	103
ΓΕΝΙΚΕΣ ΟΔΗΓΙΕΣ ΑΣΦΑΛΕΙΑΣ	104
ΤΕΧΝΙΚΑ ΣΤΟΙΧΕΙΑ	105
ΠΕΡΙΓΡΑΦΗ ΤΟΥ ΜΗΧΑΝΗΜΑΤΟΣ	105
ΔΟΜΗ ΤΟΥ ΜΗΧΑΝΗΜΑΤΟΣ	105
ΠΙΝΑΚΑΣ ΕΛΕΓΧΟΥ.....	106
ΟΔΗΓΙΕΣ ΧΡΗΣΗΣ.....	107
ΠΡΙΝ ΤΗΝ ΕΚΚΙΝΗΣΗ ΤΟΥ ΜΗΧΑΝΗΜΑΤΟΣ	107
ΕΓΚΑΤΑΣΤΑΣΗ ΚΑΙ ΞΕΦΟΡΤΩΜΑ ΤΗΣ ΒΟΥΡΤΣΑΣ / ΣΤΗΡΙΓΜΑΤΟΣ ΜΑΞΙΛΑΡΙΟΥ.....	107
ΡΥΘΜΙΣΗ ΤΗΣ ΙΣΟΡΡΟΠΙΑΣ ΤΟΥ ΜΑΚΤΡΟΥ	108
ΡΥΘΜΙΣΗ ΤΟΥ ΟΓΚΟΥ ΤΗΣ ΡΟΗΣ ΝΕΡΟΥ.....	108
ΕΚΚΙΝΗΣΗ ΚΑΙ ΤΕΡΜΑΤΙΣΜΟΣ ΤΟΥ ΜΗΧΑΝΗΜΑΤΟΣ.....	108
ΛΕΙΤΟΥΡΓΙΑ ΜΗΧΑΝΗΜΑΤΟΣ (ΤΡΙΨΙΜΟ ΚΑΙ ΤΕΓΝΩΜΑ).....	109
ΑΔΕΙΑΣΜΑ ΔΕΞΑΜΕΝΗΣ.....	109
ΜΕΤΑ ΑΠΟ ΤΗ ΧΡΗΣΗ ΤΟΥ ΜΗΧΑΝΗΜΑΤΟΣ	110
ΧΡΗΣΗ ΓΙΑ ΠΡΩΤΗ ΦΟΡΑ.....	111
ΣΥΝΤΗΡΗΣΗ ΚΑΙ ΦΡΟΝΤΙΔΑ	111
ΠΙΝΑΚΑΣ ΠΡΟΓΡΑΜΜΑΤΙΣΜΕΝΗΣ ΣΥΝΤΗΡΗΣΗΣ.....	111
ΚΑΘΑΡΙΣΜΟΣ ΤΟΥ ΜΑΚΤΡΟΥ.....	112
ΕΛΕΓΧΟΣ ΚΑΙ ΑΝΤΙΚΑΤΑΣΤΑΣΗ ΤΩΝ ΠΤΕΡΥΓΙΩΝ ΤΟΥ ΜΑΚΤΡΟΥ	112
ΚΑΘΑΡΙΣΜΟΣ ΒΟΥΡΤΣΑΣ / ΜΑΞΙΛΑΡΙΟΥ ΓΥΑΛΙΣΜΑΤΟΣ	113
ΚΑΘΑΡΙΣΜΟΣ ΔΕΞΑΜΕΝΗΣ ΝΕΡΟΥ ΚΑΙ ΦΙΛΤΡΟΥ ΕΠΙΠΛΕΥΣΗΣ.....	113
ΚΑΘΑΡΙΣΜΑ ΤΟΥ ΦΙΛΤΡΟΥ ΔΙΑΛΥΜΑΤΟΣ.....	114
ΔΙΑΓΡΑΜΜΑ ΣΥΝΔΕΣΜΟΛΟΓΙΑΣ ΓΙΑ ΤΑ ΜΟΝΤΕΛΑ AS430C ΚΑΙ AS510C.....	115
ΑΝΤΙΜΕΤΩΠΙΣΗ ΠΡΟΒΛΗΜΑΤΩΝ.....	116
ΑΠΟΡΡΙΨΗ ΤΟΥ ΜΗΧΑΝΗΜΑΤΟΣ.....	116

ΕΙΣΑΓΩΓΗ



ΣΗΜΕΙΩΣΗ

Οι αριθμοί στα στηρίγματα αναφέρονται στα σχετιζόμενα εξαρτήματα που φαίνονται στην ενότητα Περιγραφή μηχανήματος.

ΠΕΡΙΕΧΟΜΕΝΑ ΕΓΧΕΙΡΙΔΙΟΥ

Αυτό το εγχειρίδιο έχει σκοπό να δώσει στο χειριστή τις απαραίτητες πληροφορίες για να χρησιμοποιήσει το μηχάνημα σωστά και με ασφάλεια. Οι πληροφορίες αυτές περιλαμβάνουν τεχνικά δεδομένα, ασφάλεια, λειτουργία, αποθήκευση, συντήρηση και διάθεση του μηχανήματος. Ο χειριστής και οι τεχνικοί με τα σχετικά προσόντα πρέπει να μελετήσουν αυτό το εγχειρίδιο προσεκτικά πριν ξεκινήσουν τη λειτουργία και τη συντήρηση αυτού του μηχανήματος. Παρακαλούμε επικοινωνήστε με τη VIPER για τυχόν ερωτήματα πάνω στην εξήγηση αυτού του εγχειριδίου ή όταν χρειαστείτε περαιτέρω σχετικές πληροφορίες.

ΣΚΟΠΟΣ

Ο σκοπός αυτού του εγχειριδίου είναι να επιτρέψει στο χειριστή και στους εξειδικευμένους τεχνικούς να πραγματοποιήσουν τη συντήρηση αυτού του μηχανήματος.

Ο χειριστής δεν πρέπει να πραγματοποιεί τις λειτουργίες αυτές οι οποίες πρέπει να πραγματοποιούνται μόνο από τεχνικούς. Η VIPER δεν θα είναι υπεύθυνη για τυχόν ζημιές που θα προκληθούν από την παραβίαση αυτού του κανόνα.

ΑΝΤΑΛΛΑΚΤΙΚΑ ΚΑΙ ΣΥΝΤΗΡΗΣΗ

Όλες οι διαδικασίες λειτουργίας, συντήρησης, και επισκευής πρέπει να πραγματοποιούνται από εξειδικευμένο προσωπικό ή από τα κέντρα σέρβις της VIPER.

Θα πρέπει να χρησιμοποιούνται μόνο εγκεκριμένα εξαρτήματα και αξεσουάρ.

Εάν χρειάζεται να γίνει σέρβις και παραγγελία εξαρτημάτων και αξεσουάρ, παρακαλώ επικοινωνήστε με τη VIPER παρέχοντάς τους τον αριθμό μοντέλου του μηχανήματος και τους σειριακούς αριθμούς.

ΑΛΛΑΓΕΣ ΚΑΙ ΒΕΛΤΙΩΣΕΙΣ

Η VIPER κάνει συνεχείς βελτιώσεις στα προϊόντα της. Η VIPER διατηρεί το δικαίωμα να αλλάζει και να βελτιώνει τα μηχανήματα και επίσης το δικαίωμα να αποφασίζει από μόνη της αν τα πλεονεκτήματα των αλλαγών αυτών ισχύουν για τα προϊόντα που έχουν ήδη πουληθεί. Όλες οι αλλαγές και τα επιπλέον αξεσουάρ πρέπει να εγκριθούν από τη VIPER και πρέπει να πραγματοποιηθούν από την εταιρεία.

ΠΕΔΙΟ ΕΦΑΡΜΟΓΗΣ

Αυτή η πλυντρίδα χρησιμοποιείται σε οικιακό και βιομηχανικό περιβάλλον, και είναι κατάλληλη για τον καθαρισμό ομαλών και σκληρών δαπέδων (τρίψιμο και συλλογή απόβλητων υδάτων). Πρέπει να τη χρησιμοποιούν εγκεκριμένοι χειριστές και σε ασφαλές περιβάλλον. Αυτή η πλυντρίδα δεν μπορεί να χρησιμοποιηθεί για καθαρισμό εξωτερικών χώρων, χαλιών, και σε σχετικά τραχέα πατώματα.

ΑΠΟΣΥΣΚΕΥΑΣΙΑ / ΜΕΤΑΦΟΡΑ

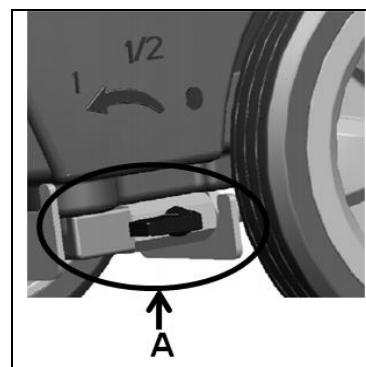
Παρακαλώ ακολουθήστε προσεκτικά τις οδηγίες στο πακέτο όταν το αποσυσκευάζετε.

Κατά την παράδοση, παρακαλώ ελέγξτε τη συσκευασία και το μηχάνημα για να βεβαιωθείτε ότι δεν έχει προκληθεί ζημιά κατά τη μεταφορά. Εάν υπάρχει κάποια εμφανής ζημιά, παρακαλώ κρατήστε την αρχική φόρμα, και ζητήστε από τον μεταφορέα να επιβεβαιώσει και να συμπληρώσει μια λίστα με τις ζημιές για την αποζημίωσή σας.



— ΠΡΟΣΟΧΗ

Κατά την αποσυσκευασία και το ξεφόρτωμα, ή κατά τη μεταφορά του μηχανήματος σε χώρο με σκαλιά, παρακαλώ κοιτάξτε να αποφεύγετε να πατάτε το διακόπτη on / off που ρυθμίζει τη ροή νερού, Μέρος A στην εικόνα στα δεξιά.



Ελέγξτε αν το μηχάνημα είναι εξοπλισμένο με τα ακόλουθα αντικείμενα:

Τεχνικά έγγραφα

– Εγχειρίδιο χρήστη της πλυντρίδας

ΓΕΝΙΚΕΣ ΟΔΗΓΙΕΣ ΑΣΦΑΛΕΙΑΣ

Τα ακόλουθα είναι ειδικές προειδοποιήσεις και αναγγελίες για πιθανές ζημιές (προσωπικού και μηχανήματος):



ΠΡΟΣΟΧΗ!

- Το μηχάνημα μπορεί να λειτουργεί μόνο υπό την καθοδήγηση αυτού του εγχειριδίου. Θα πρέπει να χρησιμοποιούνται μόνο αξεσουάρ εγκεκριμένα από τη VIPER.
- Αυτό το μηχάνημα πρέπει να χρησιμοποιείται μόνο από κατάλληλα εκπαιδευμένο ή εξουσιοδοτημένο προσωπικό. Το μηχάνημα δεν πρέπει να το χρησιμοποιούν παιδιά ή ακατάλληλα άτομα.
- Όταν δουλεύετε δίπλα σε ηλεκτρικά μέρη, παρακαλώ να μην φοράτε κοσμήματα. Παρακαλούμε να λάβετε όλα τα προληπτικά μέτρα για να αποφύγετε το πιάσιμο μαλλιών, κοσμημάτων, και φαρδιών ρούχων από τα κινούμενα μέρη του μηχανήματος.
- Παρακαλώ να μην χρησιμοποιείτε αυτό το μηχάνημα σε ιδιαίτερα βρόμικες περιοχές. Μην πλένετε το μηχάνημα απευθείας με νερό. Μην αφήσετε το μηχάνημα να έρθει σε επαφή με διαβρωτικά υγρά.
- Η θερμοκρασία για αποθήκευση και για το περιβάλλον λειτουργίας του μηχανήματος πρέπει να είναι από 0 έως 40⁰ C.
- Η υγρασία θα πρέπει να βρίσκεται μεταξύ 30% και 105%.
- Παρακαλώ μην χρησιμοποιείτε το μηχάνημα σε επιφάνεια με κλίση μεγαλύτερη του 2%.
- Σε περίπτωση πυρκαγιάς, παρακαλώ χρησιμοποιήστε πυροσβεστήρες ξηρής σκόνης. Μην χρησιμοποιείτε πυροσβεστήρες υγρού.
- Θα πρέπει να δίνετε μεγάλη προσοχή όταν μεταφέρετε το μηχάνημα σε θερμοκρασίες κάτω από 0⁰ C. Η δεξαμενή νερού και το νερό στους σωλήνες, μπορεί να παγώσουν και να προκαλέσουν σοβαρές ζημιές στη μηχανή.
- Χρησιμοποιήστε τις βούρτσες και τα μαξιλαράκια που παρέχονται με το μηχάνημα και αυτά που καθορίζονται στο Εγχειρίδιο χρήστη. Η χρήση άλλων βουρτσών και μαξιλαριών μπορεί να μειώσει την ασφάλεια.
- Σε περίπτωση δυσλειτουργίας του μηχανήματος παρακαλώ βεβαιωθείτε ότι δεν έχει προκληθεί από έλλειψη συντήρησης. Εάν έχει προκληθεί από άλλες συνθήκες, παρακαλώ αναζητήστε τη βοήθεια εξουσιοδοτημένου προσωπικού ή κάποιου Κέντρου σέρβις.
- Εάν επιβεβαιωθεί ότι τα εξαρτήματα πρέπει να αντικατασταθούν, παρακαλούμε να εξασφαλίσετε γνήσια ανταλλακτικά από εξουσιοδοτημένους εμπόρους ή πράκτορες.
- Για να εξασφαλισθεί η ασφαλής και σωστή λειτουργία του μηχανήματος, παρακαλώ αφήστε το εξουσιοδοτημένο προσωπικό ή το Κέντρο σέρβις να κάνει την προγραμματισμένη συντήρηση με βάση το πρόγραμμα συντήρησης στις σχετικές ενότητες του εγχειριδίου.
- Αυτό το μηχάνημα πρέπει να απορριφθεί με σωστό τρόπο επειδή μπορεί να περιέχει δηλητηριώδεις και επικίνδυνες ουσίες, και αυτές οι ουσίες πρέπει να απορρίπτονται από εξειδικευμένα κέντρα σύμφωνα με τους σχετικούς νόμους και κανονισμούς (παρακαλώ ανατρέξτε στην ενότητα απόρριψης του μηχανήματος).

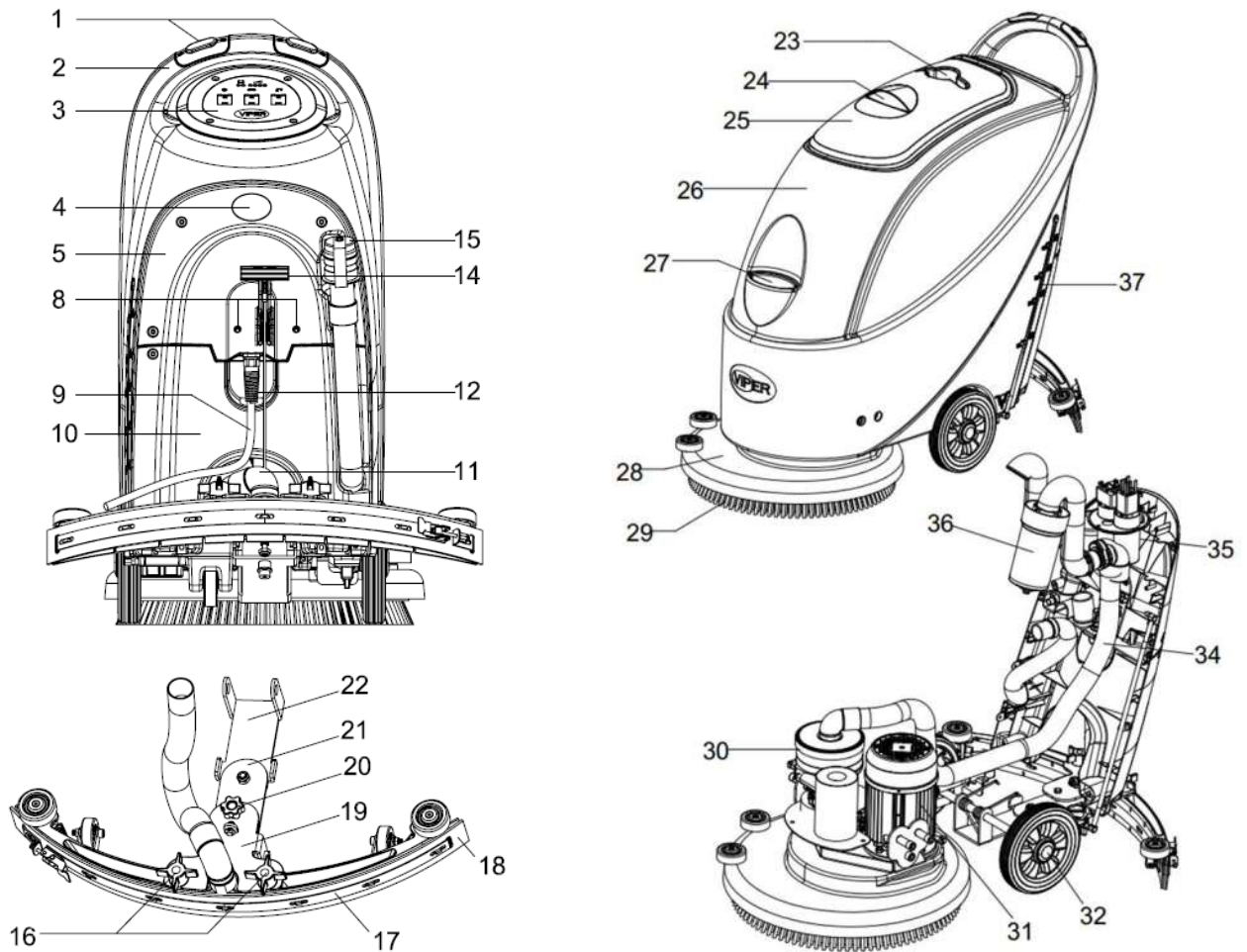
ΤΕΧΝΙΚΑ ΣΤΟΙΧΕΙΑ

Μοντέλο	AS430C	AS510C
Ύψος μηχανήματος	980mm	
Χωρητικότητα της δεξαμενής διαλύματος	50 λίτρα	
Χωρητικότητα της δεξαμενής ανάκτησης	50 λίτρα	
Διάμετρος του τροχού μεταφοράς	200mm	
Διάμετρος του τροχού οδήγησης	63,5mm	
Ισχύς του κινητήρα του συστήματος απορρόφησης	400w	
Μέγιστη κλίση κατά τη λειτουργία	2% (Μέγ.)	
Επίπεδο ηχητικής πίεσης στο χώρο εργασίας	72dB(A) ±3dB(A)	
Μήκος καλωδίου	20m	
Περιεκτικότητα κυκλώματος συστήματος αναρρόφησης	1200 mm H ₂ O	
Πλάτος καθαρισμού	430mm	510mm
Πλάτος μάκτρο	730mm	790mm
Μέγιστο μήκος μηχανήματος	1060mm	1100mm
Πλάτος μηχανήματος χωρίς μάκτρο	480mm	540mm
Διάμετρος βούρτσας	430mm	510mm
Βάρος με άδειες δεξαμενές	70kg	74kg
Μικτό βάρος του μηχανήματος όταν είναι έτοιμο για χρήση	120kg	124kg
Ισχύς κινητήρα βούρτσας	750W	
Ταχύτητα βούρτσας	150rpm	
Στήριγμα βούρτσας / μαξιλαριού Μέγιστη πίεση	32 kg (Μέγ.)	35 kg (Μέγ.)
Μέγεθος συσκευασίας (Μ x Β x Υ)	1200 x 610 x 1170mm	

ΠΕΡΙΓΡΑΦΗ ΤΟΥ ΜΗΧΑΝΗΜΑΤΟΣ**ΔΟΜΗ ΤΟΥ ΜΗΧΑΝΗΜΑΤΟΣ**

1. Διακόπτης ασφαλείας
2. Μπάρα χειρισμού
3. Πίνακας ελέγχου
4. Πινακίδα σειριακού αριθμού / Τεχνικά δεδομένα/ Πιστοποίηση συμμόρφωσης
5. Κάλυμμα ελέγχου
6. Δεν ισχύει
7. Δεν ισχύει
8. Διακόπτης επαναφοράς
9. Καλώδιο τροφοδοσίας
10. Κάλυμμα μπαταρίας
11. Σωλήνας απορρόφησης για απόβλητα
12. Καλώδιο άντλησης μάκτρο
13. Δεν ισχύει
14. Λαβή ανύψωσης μάκτρο
15. Σωλήνας στράγγισης
16. Σταθερός διακόπτης μάκτρο
17. Κλιπ μάκτρο
18. Λεπίδα μάκτρο
19. Πλαίσιο στηρίγματος μάκτρο
20. Τροχός χειρός ρύθμισης μάκτρο
21. Πλαίσιο οπίσθιας στήριξης μάκτρο
22. Πλαίσιο εμπρόσθιας στήριξης μάκτρο
23. Θήκη κυπέλλου
24. Χερούλι καλύμματος δεξαμενής ανάκτησης
25. Κάλυμμα της δεξαμενής ανάκτησης
26. Σώμα δεξαμενής
27. Κάλυμμα εισόδου νερού
28. Διάταξη βούρτσας
29. Στήριγμα βούρτσας / μαξιλαριού
30. Κινητήρας συστήματος απορρόφησης
31. Κινητήρας βούρτσας
32. Τροχός 8 ιντσών
33. Δεν ισχύει
34. Σωλήνας απορρόφησης
35. Ηλεκτρικό κουτί
36. Φίλτρο επίπλευσης
37. Σωλήνας επιπέδου νερού (για ένδειξη της ποσότητας νερού στη δεξαμενή διάλυσης)

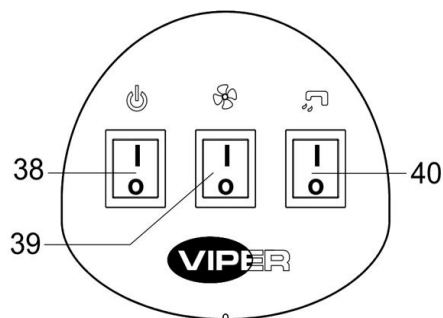
ΕΙΚΟΝΕΣ ΤΗΣ ΔΟΜΗΣ ΤΟΥ ΜΗΧΑΝΗΜΑΤΟΣ



Εικόνα 1

ΠΙΝΑΚΑΣ ΕΛΕΓΧΟΥ (Εικόνα 2)

- 38. Διακόπτης ρεύματος
- 39. Διακόπτης απορρόφησης
- 40. Διακόπτης σωληνοειδούς βαλβίδας



Εικόνα 2

ΟΔΗΓΙΕΣ ΧΡΗΣΗΣ



ΠΡΟΕΙΔΟΠΟΙΗΣΗ

Σε ορισμένα μέρη του μηχανήματος υπάρχουν κολλημένα κάποια ενδεικτικά σήματα:

- ΚΙΝΔΥΝΟΣ
- ΠΡΟΕΙΔΟΠΟΙΗΣΗ
- ΠΡΟΣΟΧΗ
- ΣΥΜΒΟΥΛΗ

Κατά την ανάγνωση αυτού του εγχειριδίου, ο χειριστής πρέπει να προσέξει ιδιαίτερα τα σύμβολα σε αυτά τα σήματα.

Σε καμία περίπτωση να μην καλύπτονται αυτά τα σήματα. Εάν πάθουν ζημιά, παρακαλώ να τα αντικαταστήσετε άμεσα.

ΠΡΙΝ ΤΗΝ ΕΚΚΙΝΗΣΗ ΤΟΥ ΜΗΧΑΝΗΜΑΤΟΣ

ΕΓΚΑΤΑΣΤΑΣΗ ΚΑΙ ΞΕΦΟΡΤΩΜΑ ΤΗΣ ΒΟΥΡΤΣΑΣ / ΣΤΗΡΙΓΜΑΤΟΣ ΜΑΞΙΛΑΡΙΟΥ



ΣΗΜΕΙΩΣΗ

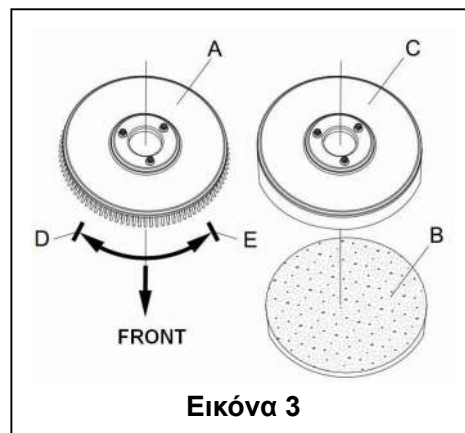
Ανάλογα με το είδος του πατώματος που θα καθαριστεί, το μηχάνημα μπορεί να εγκατασταθεί με βούρτσα (Εικόνα 3 Α), ή με στήριγμα μαξιλαριού (Εικόνα 3, Β και C).



ΠΡΟΣΟΧΗ!

Όταν εγκαθιστάτε ή ξεφορτώνετε χειροκίνητα τη βούρτσα / στήριγμα μαξιλαριού, πρώτα να ελέγχετε αν όλοι οι διακόπτες είναι κλειστοί και να σηκώσετε το μάκτρο από το πάτωμα, γιατί μόνο τότε μπορείτε να δουλέψετε στη βούρτσα / στήριγμα μαξιλαριού. Επιπλέον, παρακαλούμε φορέστε προστατευτικά γάντια για να αποφύγετε κοψίματα από θραύσματα.

1. (Ισχύει μόνο για τα μοντέλα **AS430C** και **AS510C**): φροντίστε το καλώδιο τροφοδοσίας (9) να έχει αποσυνδεθεί από την πρίζα και ο διακόπτης (38) να βρίσκεται στη θέση αποσύνδεσης (O).
2. Πιέστε προς τα κάτω τη χειρολαβή (2) για να σηκώσετε το σώμα της δεξαμενής (26).
3. Βάλτε τη βούρτσα (A) ή το στήριγμα του μαξιλαριού (B – C) κάτω από τη θήκη.
4. Χρησιμοποιήστε τη λαβή χρήσης (2) για να χαμηλώσετε το σώμα της δεξαμενής (26) για να έρθει σε επαφή με τη βούρτσα ή το στήριγμα του μαξιλαριού.
5. Για να εγκαταστήσετε τη βούρτσα / στήριγμα μαξιλαριού αυτόματα, γυρίστε το διακόπτη λειτουργίας (38) στη θέση «I» και πιέστε προς τα κάτω το διακόπτη ασφαλείας (1). Πιέστε απαλά το μηχάνημα προς τα εμπρός έτσι ώστε να ακολουθήσει τη ζώνη του τροχού στο κάτω μέρος του σώματος της δεξαμενής για να ευθυγραμμιστεί με τη βούρτσα ή το στήριγμα του μαξιλαριού το οποίο μπορεί μετά να εγκατασταθεί. Μετά απελευθερώστε το διακόπτη ασφαλείας. Εάν είναι απαραίτητο, επαναλάβετε αυτή τη διαδικασία μέχρι να εγκατασταθεί η βούρτσα / στήριγμα μαξιλαριού.
6. Εάν το βήμα 5 πιο πάνω σας φανεί δύσκολο, χρησιμοποιήστε τη χειροκίνητη μέθοδο ακολουθώντας την κεφαλή του βέλους (D) για να εγκαταστήσετε τη βούρτσα / στήριγμα μαξιλαριού (όπως φαίνεται στην **Εικόνα 3**).
7. Για να ξεφορτώσετε αυτόματα τη βούρτσα / στήριγμα μαξιλαριού, γυρίστε το διακόπτη ρεύματος (38) στη θέση «O». Με το χέρι κρατήστε τη χειρολαβή, και πιέστε το μηχάνημα προς τα κάτω μέχρι ο τροχός οδήγησης να ακουμπήσει το πάτωμα και η βούρτσα / στήριγμα μαξιλαριού να κρέμεται στον αέρα. Γυρίστε το διακόπτη ρεύματος (38) στη θέση «I», και πιέστε προς τα κάτω το διακόπτη ασφαλείας για να αφήσετε τη βούρτσα ή το στήριγμα μαξιλαριού να γυρίσει μέχρι η βούρτσα / στήριγμα μαξιλαριού να πέσει στο πάτωμα.
8. Εάν το βήμα 7 πιο πάνω σας φανεί δύσκολο, χρησιμοποιήστε τη χειροκίνητη μέθοδο γυρνώντας τη βούρτσα / στήριγμα μαξιλαριού σε αντίθετη κατεύθυνση από την κανονική, και έτσι μπορεί να αφαιρεθεί (όπως φαίνεται στην **Εικόνα 3**).

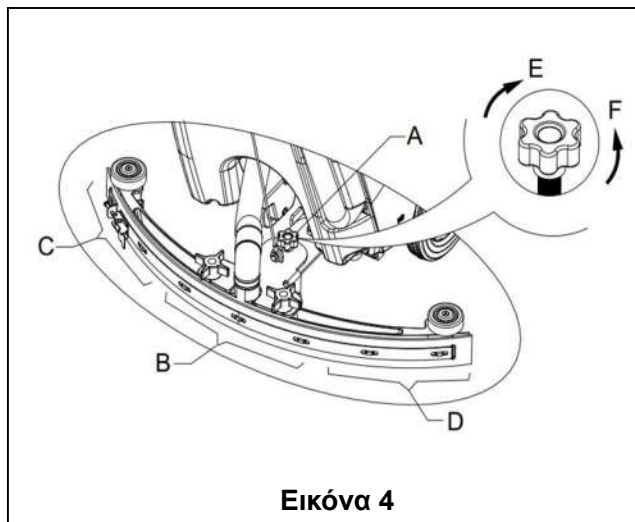


ΡΥΘΜΙΣΗ ΤΗΣ ΙΣΟΡΡΟΠΙΑΣ ΤΟΥ ΜΑΚΤΡΟΥ

9. Εγκαταστήστε το μάκτρο και γυρίστε το σφικτά με τη λαβή (16). Μετά συνδέστε το σωλήνα απορρόφησης (11) για απόβλητα στο μάκτρο.
10. Ρυθμίστε το μάκτρο μέσω της λαβής ρύθμισης (A) του μάκτρο (ανατρέξτε στην **Εικόνα 4**).

1) Εάν η μεσαία περιοχή της πίσω λωρίδας του μάκτρο, περιοχή B, έχει ένα κενό από το πάτωμα ή η προς τα κάτω πίεση είναι σχετικά μικρή, ρυθμίστε τη λαβή με φορά αντίθετη του ρολογιού μέχρι όλο το μήκος της πίσω λωρίδας του μάκτρο να ακουμπάει καλά το πάτωμα. Η μπροστινή λωρίδα του μάκτρο θα πρέπει να ακουμπάει ελαφρά το πάτωμα.

2) Εάν τα δύο άκρα της πίσω λωρίδας του μάκτρο, τομείς C και D, έχουν ένα κενό με το έδαφος ή η προς τα κάτω πίεση είναι σχετικά μικρή, ρυθμίστε τη λαβή με τη φορά του ρολογιού μέχρι όλο το μήκος της πίσω λωρίδας του μάκτρο να ακουμπάει καλά το πάτωμα. Η μπροστινή λωρίδα του μάκτρο θα πρέπει να ακουμπάει ελαφρά το πάτωμα.

**Εικόνα 4****Γέμισμα δεξαμενής καθαριστικού διαλύματος****ΠΡΟΣΟΧΗ!**

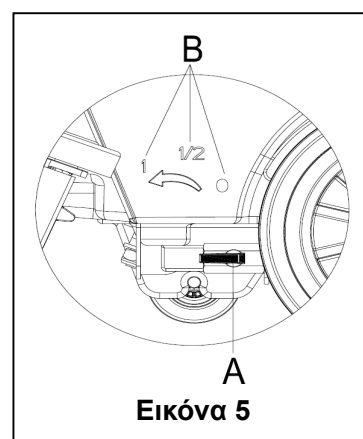
Μπορούν να χρησιμοποιηθούν μόνο μη εύφλεκτα απορρυπαντικά και απορρυπαντικά χαμηλού αφρού. Αυτά τα απορρυπαντικά πρέπει να είναι κατάλληλα για χρήση με πλυντρίδες.

11. Ανοίξτε το κάλυμμα της εισόδου νερού (27) και προσθέστε νερό στη δεξαμενή διαλύματος. Μην παραγεμίζετε τη δεξαμενή. Το γέμισμα μέχρι την άκρη του στηρίγματος του φίλτρου της εισόδου νερού είναι αρκετό. Όταν προετοιμάζετε τα διαλύματα καθαρισμού, παρακαλώ να ακολουθείτε τα ποσοστά αραιώσεως που παρέχονται από τη χημική παραγωγή και η θερμοκρασία του νερού δεν πρέπει να ξεπερνάει τους 40⁰ C.

ΡΥΘΜΙΣΗ ΤΟΥ ΟΓΚΟΥ ΤΗΣ ΡΟΗΣ ΝΕΡΟΥ**ΠΡΟΣΟΧΗ!**

Η ρύθμιση της λαβής της σφαιρικής βαλβίδας (A, **Εικόνα 5**) πρέπει να γίνει με την προϋπόθεση ότι ο διακόπτης ρεύματος (38) είναι στη θέση «Ο».

12. Η ένταση της ροής του νερού μπορεί να ρυθμιστεί μέσω της λαβής της σφαιρικής βαλβίδας (A, **Εικόνα 5**) με βάση το ποσοστό του νερού που χρειάζεται στην πραγματικότητα για το τρίψιμο του πατώματος.

**Εικόνα 5****ΕΚΚΙΝΗΣΗ ΚΑΙ ΤΕΡΜΑΤΙΣΜΟΣ ΤΟΥ ΜΗΧΑΝΗΜΑΤΟΣ****Εκκίνηση του μηχανήματος**

1. Ολοκληρώστε τα βήματα προετοιμασίας όπως αναφέρθηκε πιο πάνω.
2. Συνδέστε το καλώδιο τροφοδοσίας (9) με αντίστοιχη τάση τροφοδοσίας, και πατήστε το διακόπτη του ρεύματος (38) στη θέση «I».
3. Χρησιμοποιήστε τη λαβή του μάκτρο (14) για να χαμηλώσετε το μάκτρο.
4. Πιέστε το διακόπτη απορρόφησης (39) στη θέση «I».
5. Πιέστε το διακόπτη ελέγχου έντασης ροής νερού (40) στη θέση «I». (Δουλέψτε ταυτόχρονα με το διακόπτη ασφαλείας (1) για να ελέγξετε τη δουλειά της σωληνοειδούς βαλβίδας.)

6. Κρατήστε το διακόπτη ασφαλείας (1) και σπρώξτε για να μετακινήσετε το μηχάνημα. Η βούρτσα (29) αρχίζει να περιστρέφεται, και το μηχάνημα αρχίζει την καθαριστική του δουλειά.



ΣΥΜΒΟΥΛΗ: Τρόπος σπρωξίματος του μηχανήματος
Ένα από τα χαρακτηριστικά του μηχανήματος είναι η εγκατάσταση δύο διακοπών ασφαλείας σε κάθε πλευρά της χειρολαβής. Κάθε διακόπτης ασφαλείας είναι ικανός να ελέγξει ανεξάρτητα τη λειτουργία της βούρτσας. Στη χρήση, διευκολύνει τον έλεγχο της λειτουργίας του μηχανήματος.

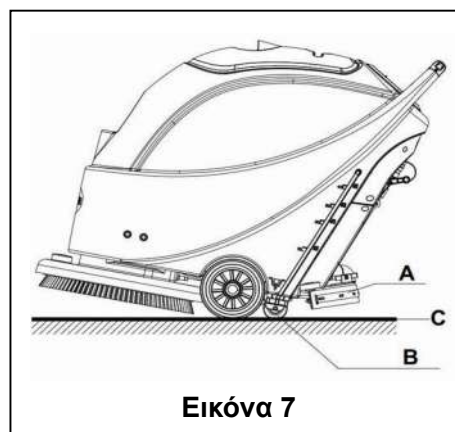
Από την εμπειρία μας, η μέθοδος για να μετακινήσετε το μηχάνημα η οποία φαίνεται δεξιά στην Εικόνα 6 είναι πιο κατάλληλη, οι χρήστες νιώθουν πιο άνετα τα χέρια τους, και μειώνει την κούραση της δουλειάς. Άρα προτείνεται οι χρήστες να μετακινούν το μηχάνημα με αυτό τον τρόπο.



Εικόνα 6

Απενεργοποίηση του μηχανήματος

- Όταν τελειώσετε με τη χρήση του μηχανήματος, ξεφορτώστε πρώτα τη βούρτσα / στήριγμα μαξιλαριού (ανατρέξτε στα σχετικά βήματα στην ενότητα εγκατάστασης και ξεφορτώματος της βούρτσας / στήριγμα μαξιλαριού)
- Απελευθερώστε το διακόπτη ασφαλείας (1) για να κλείσετε τη βούρτσα / στήριγμα μαξιλαριού και τη σωληνοειδή βαλβίδα.
- Πιέστε το διακόπτη αντλίας απορρόφησης (39) στη θέση «O», και η αντλία απορρόφησης θα καθυστερήσει 5 δευτερόλεπτα πριν σταματήσει να λειτουργεί.
- Πιέστε το διακόπτη ελέγχου έντασης της υδρορροής (40) στη θέση «O» για να κλείσετε εντελώς τη σωληνοειδή βαλβίδα.
- Πιέστε το διακόπτη λειτουργίας (38) στη θέση «O», και αποσυνδέστε το καλώδιο τροφοδοσίας (9) από την πρίζα.
- Χρησιμοποιήστε τη λαβή ανύψωσης του μάκτρο (14) για να σηκώσετε το μάκτρο.
- Πιάστε τη χειρολαβή (2) και απαλά γείρετε το μηχάνημα προς τα πίσω μέχρι ο τροχός οδήγησης (B) να ακουμπήσει το πάτωμα. Ανατρέξτε στην **Εικόνα 7**



Εικόνα 7

ΛΕΙΤΟΥΡΓΙΑ ΜΗΧΑΝΗΜΑΤΟΣ (ΤΡΙΨΙΜΟ ΚΑΙ ΤΕΓΝΩΜΑ)

- Ξεκινήστε το μηχάνημα με βάση την περιγραφή πιο πάνω.
- Κρατήστε το διακόπτη ασφαλείας (1) (με βάση τον τρόπο που φαίνεται στην **Εικόνα 6**), σπρώξτε για να μετακινήσετε το μηχάνημα, και ξεκινήστε τον καθαρισμό.
- Εάν είναι απαραίτητο, σβήστε το μηχάνημα, και προσαρμόστε τη ρυθμιστική λαβή του μάκτρο. (Ανατρέξτε στα βήματα για την προσαρμογή της ισορροπίας του μάκτρο)
- Εάν είναι απαραίτητο, σβήστε το μηχάνημα, και προσαρμόστε την ένταση της ροής νερού με τη λαβή της σφαιρικής βαλβίδας. (Ανατρέξτε στα βήματα για την προσαρμογή της έντασης της ροής νερού.)



ΠΡΟΣΟΧΗ!

Για να αποφύγετε τη ζημιά του πατώματος, όταν το μηχάνημα μένει σε ένα μέρος χωρίς να κινείται, παρακαλούμε να κλείσετε το διακόπτη ρεύματος (38).

ΑΔΕΙΑΣΜΑ ΔΕΞΑΜΕΝΗΣ

Όταν η δεξαμενή ανάκτησης είναι γεμάτη, το φλοτέρ στη συσκευή αυτόματου κλεισίματος με φλοτέρ (36), θα μπλοκάρει την είσοδο που συνδέεται με την αντλία απορρόφησης. Μέσω μιας απότομης αύξησης του θορύβου της αντλίας απορρόφησης, μπορεί να θεωρηθεί ότι η αντλία απορρόφησης είναι ήδη υπερφορτωμένη και απαιτείται άμεση στράγγιση των αποβλήτων.

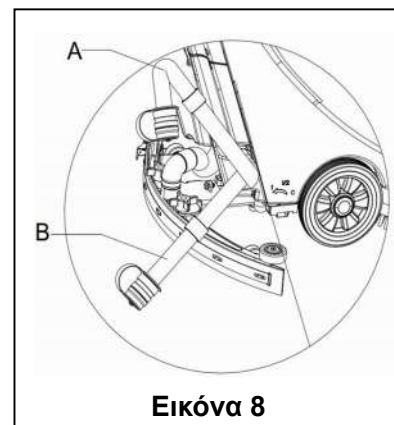
**ΠΡΟΣΟΧΗ!**

Εάν η αντλία απορρόφησης ξαφνικά κλείσει (π.χ. επειδή το μηχάνημα μετακινήθηκε ξαφνικά με αποτέλεσμα να ενεργοποιηθεί το φλοτέρ), και αν χρειαστεί επανεκκίνηση της λειτουργίας, παρακαλούμε πραγματοποιήστε τα ακόλουθα βήματα: πιέστε το διακόπτη ρεύματος (38 και 39) για να κλείσετε το ρεύμα και την αντλία απορρόφησης, και ανοίξτε το κάλυμμα της δεξαμενής ανάκτησης (25) για να ελέγξετε εάν έχει επιστρέψει το φίλτρο επίπλευσης στην επιφάνεια του νερού. Μετά κλείστε το κάλυμμα της δεξαμενής ανάκτησης (25), και πιέστε το διακόπτη ρεύματος (38 και 39) για να ανοίξετε το ρεύμα και την αντλία απορρόφησης.

Όταν η δεξαμενή ανάκτησης είναι εντελώς γεμάτη με απόβλητα, ακολουθήστε τα παρακάτω βήματα για να τη στραγγίξετε.

Άδειασμα της δεξαμενής ανάκτησης

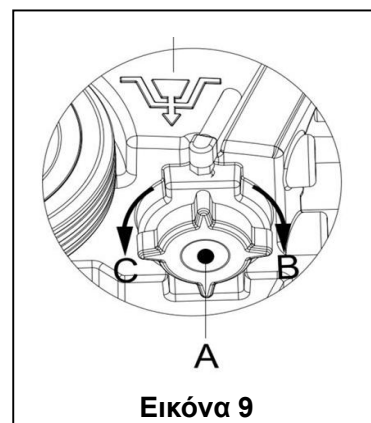
1. Απενεργοποιήστε το μηχάνημα.
2. Με τη χρήση της λαβής του μάκτρο (14), σηκώστε το μάκτρο.
3. Μετακινήστε το μηχάνημα σε χώρο που να προορίζεται αποκλειστικά για άδειασμα.
4. Πιάστε τη χειρολαβή (2) και απαλά φέρτε το μηχάνημα προς τα πίσω μέχρι ο τροχός οδήγησης να ακουμπήσει το πάτωμα. (Για την τοποθέτηση του μηχανήματος παρακαλώ ανατρέξτε στις διαδικασίες στο τέλος της ενότητας του μηχανήματος.)
5. Βγάλτε το σωλήνα στράγγισης από το κλιπ στερέωσης, λυγίστε το πάνω μέρος του σωλήνα στράγγισης (όπως φαίνεται στο A, **Εικόνα 8**), και μετά ανοίξτε το κάλυμμα του σωλήνα στράγγισης και χαμηλώστε το σωλήνα στράγγισης σε ένα χαμηλό επίπεδο ή στο έδαφος για να αδειάσετε το νερό. Εναλλακτικά, τοποθετήστε απευθείας το σωλήνα στράγγισης σε χαμηλή θέση ή στο έδαφος έτσι ώστε η έξοδος του νερού να είναι προς τα κάτω (όπως φαίνεται στο B, **Εικόνα 8**), και μετά ανοίξτε το καπάκι στράγγισης νερού γυρνώντας το για να αδειάσετε τα απόβλητα από τη δεξαμενή. Αφού τελειώσει η στράγγιση, χρησιμοποιήστε καθαρό νερό για να καθαρίσετε το εσωτερικό της δεξαμενής ανάκτησης.

**ΠΡΟΣΟΧΗ!**

Όταν αδειάζετε τα απόβλητα, ο σωλήνας απορρόφησης αποβλήτων πρέπει να είναι διπλωμένος ή χαμηλωμένος σε χαμηλότερη θέση (όπως φαίνεται στην **Εικόνα 8 A ή B**), και μετά να ανοίξετε το καπάκι του σωλήνα απορρόφησης αποβλήτων για να στραγγίξετε το νερό. Μη γυρίσετε την έξοδο του σωλήνα απορρόφησης αποβλήτων προς τα πάνω για να αδειάσετε το νερό κάθετα. Αυτό γίνεται για να αποφύγετε το χύσιμο αποβλήτων στον χειριστή.

Άδειασμα δεξαμενής καθαριστικού διαλύματος

6. Ολοκληρώστε τα βήματα 1 ως 4.
7. Όπως φαίνεται στην **Εικόνα 9**, ανοίξτε γυρνώντας το καπάκι της δεξαμενής καθαριστικού διαλύματος (A) με φορά αντίστροφη του ρολογιού C, και αδειάστε τη δεξαμενή καθαριστικού διαλύματος εντελώς. Χρησιμοποιήστε καθαρό νερό για να καθαρίσετε το εσωτερικό της δεξαμενής καθαριστικού διαλύματος. Όταν τελειώσει η δουλειά, γυρίστε σφικτά το καπάκι της δεξαμενής καθαριστικού διαλύματος (A) προς τη φορά του ρολογιού στην κατεύθυνση B.

**ΜΕΤΑ ΑΠΟ ΤΗ ΧΡΗΣΗ ΤΟΥ ΜΗΧΑΝΗΜΑΤΟΣ**

Όταν τελειώσει η δουλειά και πριν αφήσετε το μηχάνημα, ολοκληρώστε τα παρακάτω βήματα:

1. Ακολουθήστε τη διαδικασία όπως περιγράφεται στην προαναφερόμενη ενότητα για εγκατάσταση και ξεφόρτωση της βούρτσας / στηρίγματος μαξιλαριού, και βγάλτε τη βούρτσα / στηρίγμα μαξιλαριού.
2. Ακολουθώντας τις διαδικασίες που έχουν περιγραφεί στις σχετικές ενότητες, αδειάστε εντελώς το νερό από τη δεξαμενή καθαριστικού διαλύματος και από την δεξαμενή ανάκτησης.
3. Ολοκληρώστε τις καθημερινές διαδικασίες συντήρησης (ανατρέξτε στην ενότητα συντήρησης).

4. Αποθηκεύστε το μηχάνημα, μαζί με τη βούρτσα / στήριγμα μαξιλαριού και το μάκτρο, σε καθαρό και στεγνό μέρος. Το μάκτρο πρέπει να ανυψωθεί ή να βγει.

ΧΡΗΣΗ ΓΙΑ ΠΡΩΤΗ ΦΟΡΑ

Μετά από 9 ώρες χρήσης, παρακαλώ ελέγξτε τα μέρη για να βεβαιωθείτε ότι τίποτα δεν έχει ξεβιδώσει ή έχει πάθει ζημιά κατά τη λειτουργία, και ελέγξτε αν υπάρχουν εμφανείς ζημιές ή διαρροές.

ΣΥΝΤΗΡΗΣΗ ΚΑΙ ΦΡΟΝΤΙΔΑ

Η διάρκεια λειτουργίας και η μέγιστη ασφάλεια λειτουργίας του μηχανήματος εξασφαλίζονται από την έγκαιρη συντήρηση και φροντίδα.

Ο ακόλουθος πίνακας παρέχει ένα γενικό πλάνο συντήρησης για το μηχάνημα. Τα χρονικά διαστήματα της συντήρησης καθορίζονται σε μεγάλο βαθμό από τις συνθήκες εργασίας της μηχανής. Αυτά τα χρονικά διαστήματα θα πρέπει να διατυπώνονται από το προσωπικό που είναι υπεύθυνο για τη συντήρηση.



ΠΡΟΣΟΧΗ!

Αυτές οι διαδικασίες θα πρέπει να γίνονται μόνο αφού έχει κλείσει το ρεύμα του μηχανήματος. Πριν προχωρήσετε σε οποιαδήποτε διαδικασία συντήρησης, παρακαλούμε μελετήστε προσεκτικά τις σχετικές ενότητες ασφαλείας.

Όλες οι συντηρήσεις του σχεδίου ή όλες οι επιπλέον συντηρήσεις πρέπει να γίνονται από εξειδικευμένο προσωπικό ή από εξουσιοδοτημένα κέντρα σέρβις.

Αυτό το εγχειρίδιο περιγράφει μόνο τις πιο εύκολες και κοινές διαδικασίες συντήρησης.

Για κάθε διαδικασία συντήρησης πέρα από αυτές που αναφέρονται σε αυτόν τον πίνακα προγραμματισμένων συντηρήσεων, παρακαλώ ανατρέξτε στο εγχειρίδιο συντηρήσεων του κέντρου σέρβις.

ΠΙΝΑΚΑΣ ΠΡΟΓΡΑΜΜΑΤΙΣΜΕΝΗΣ ΣΥΝΤΗΡΗΣΗΣ

Διαδικασία	Καθημερινά, το μηχάνημα μετά τη χρήση	Μία φορά τη βδομάδα	Κάθε 6 μήνες	Μία φορά το χρόνο
Καθαρίστε το μάκτρο				
Καθαρίστε τη βούρτσα / στήριγμα μαξιλαριού				
Καθαρίστε τη δεξαμενή νερού και το φίλτρο επίπλευσης, ελέγξτε τις στεγανωτικές λωρίδες της δεξαμενής νερού.				
Ελέγξτε και αλλάξτε τη λωρίδα του μάκτρου.				
Καθαρίστε το φίλτρο διαλύματος				
Καθαρίστε το φίλτρο του μοτέρ απορρόφησης				
Ελέγξτε το σφίξιμο των παξιμαδιών και των μπουλονιών			(1)	
Ελέγξτε ή αλλάξτε τα καρβουνάκια της βούρτσας ή του στηρίγματος μαξιλαριού				(2)
Ελέγξτε ή αλλάξτε τα καρβουνάκια του μοτέρ απορρόφησης				(2)

(1) Θα πρέπει να γίνει 9 ώρες μετά την εκκίνηση του μηχανήματος

(2) Αυτές οι διαδικασίες συντήρησης πρέπει να εκτελεστούν από εξουσιοδοτημένο Κέντρο σέρβις της Viper.

ΚΑΘΑΡΙΣΜΟΣ ΤΟΥ ΜΑΚΤΡΟΥ

**ΣΗΜΕΙΩΣΗ**

Για να διατηρηθεί το καλύτερο αποτέλεσμα του απορροφητή νερού, το μάκτρο πρέπει να διατηρείται καθαρό, και η λωρίδα του μάκτρου πρέπει να παραμένει σε καλή κατάσταση.

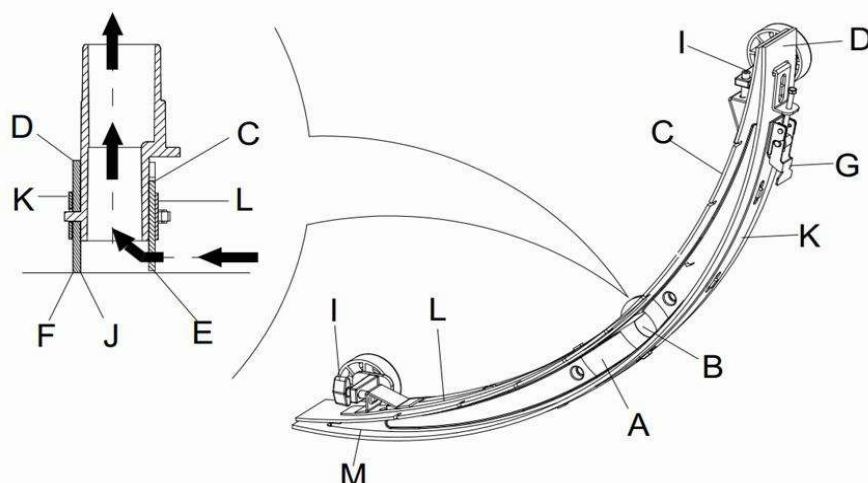
**ΠΡΟΣΟΧΗ!**

Όταν καθαρίζετε το μάκτρο, συνιστάται να φοράτε προστατευτικά γάντια διότι το μάκτρο μπορεί να περιέχει κοφτερά θραύσματα.

1. Μετακινήστε το μηχάνημα σε επίπεδη και λεία επιφάνεια.
2. Πιέστε το διακόπτη ρεύματος (38) στη θέση «Ο» για να κλείσετε το μηχάνημα.
3. Ξεβιδώστε τη στερεωμένη λαβή (16) του μάκτρου, βγάλτε το βύσμα που συνδέει το σωλήνα ανάκτησης απορρόφησης του μάκτρου, και βγάλτε το μάκτρο.
4. Χρησιμοποιήστε τη χειρολαβή ανύψωσης του μάκτρου (14) για να σηκώσετε το πλαίσιο στήριξης του μάκτρου.
5. Καθαρίστε το μάκτρο (**Εικόνα 10**). Καθαρίστε κυρίως το αυλάκι (**A, Εικόνα 10**) και τη βρομιά και τα θραύσματα στο σωλήνα απορρόφησης. Ελέγξτε αν το μπροστινό πτερύγιο του μάκτρου (C) και το πίσω πτερύγιο του μάκτρου (D) είναι ανέπαφα και αν υπάρχουν σπασμένες άκρες και ραγίσματα. Να τα αλλάξετε αν χρειάζεται (ανατρέξτε στα βήματα στην ακόλουθη ενότητα).
6. Εγκαταστήστε ξανά το μάκτρο με την αντίθετη σειρά από την παραπάνω.

ΕΛΕΓΧΟΣ ΚΑΙ ΑΝΤΙΚΑΤΑΣΤΑΣΗ ΤΩΝ ΠΤΕΡΥΓΙΩΝ ΤΟΥ ΜΑΚΤΡΟΥ

1. Ακολουθώντας τις μεθόδους που αναφέρθηκαν στην προηγούμενη ενότητα καθαρίστε το μάκτρο (**Εικόνα 10**).
2. Ελέγξτε την άκρη (**E, Εικόνα 10**) του μπροστινού πτερυγίου του μάκτρου και την άκρη (F) του πίσω πτερυγίου του μάκτρου (D). Σε όλο τους το μήκος, θα πρέπει να είναι στο ίδιο επίπεδο. Διαφορετικά, προσαρμόστε τα ύψη τους με την ακόλουθη διαδικασία.
 - Χαλαρώστε το κλιπ (G) για να μπορέσει το πίσω πτερύγιο του μάκτρου (D) να αποσπαστεί από το υποστήριγμα (M) για να προσαρμοστεί η θέση του μάκτρου. Μετά την προσαρμογή, κλειδώστε και πάλι το κλιπ.
 - Χαλαρώστε τη βίδα στη λαβή (I) για να προσαρμόσετε το μπροστινό πτερύγιο του μάκτρου (C), σφίξτε τη βίδα της λαβής μετά την προσαρμογή.
3. Ελέγξτε αν το μπροστινό πτερύγιο του μάκτρου (C) και το πίσω πτερύγιο του μάκτρου (D) είναι ανέπαφα και αν υπάρχουν σπασμένες άκρες και ραγίσματα. Εάν είναι απαραίτητο, αλλάξτε τα με βάση τους παρακάτω τρόπους. Ελέγξτε την μπροστινή άκρη του πίσω πτερυγίου του μάκτρου (J) για να δείτε αν έχει φθαρεί. Εάν έχει φθαρεί, μπορεί να εγκατασταθεί ανάποδα (η πάνω άκρη πρέπει να είναι ανέπαφη). Εάν η πάνω άκρη έχει επίσης φθαρεί, αλλάξτε την ακολουθώντας την παρακάτω διαδικασία:
 - Χαλαρώστε το κλιπ (G) για να επιτρέψετε στο πτερύγιο πίεσης να διαχωριστεί από το υποστήριγμα (M), βγάλτε την μπάρα του κλιπ (K), και μετά αλλάξτε ή γυρίστε το πίσω πτερύγιο του μάκτρου (D) ανάποδα. Εγκαταστήστε ξανά το πίσω πτερύγιο του μάκτρου με την αντίθετη σειρά που το βγάλατε.
 - Χαλαρώστε τη βίδα της λαβής (I) και βγάλτε τη μπάρα του κλιπ (L), και μετά αλλάξτε το μπροστινό μάκτρο (C).
Εγκαταστήστε πάλι το μπροστινό πτερύγιο του μάκτρου με την αντίθετη σειρά από αυτή που το βγάλατε.
Αφού αλλάξετε το πτερύγιο του μάκτρου (ή αφού το αναποδογυρίσετε), προσαρμόστε το επίπεδο του μπροστινού και του πίσω πτερυγίου του μάκτρου με τις διαδικασίες που περιγράφονται παρακάτω.
4. Συνδέστε το σωλήνα απορρόφησης (11) στο μάκτρο.
5. Εγκαταστήστε το μάκτρο και σφίξτε το με το χερούλι (16), και μετά συνδέστε το σωλήνα απορρόφησης με το μάκτρο.
6. Εάν χρειαστεί, προσαρμόστε το μάκτρο μέσω του τροχού ρύθμισης (20) (ανατρέξτε στις διαδικασίες ρύθμισης της ισορροπίας του μάκτρου).



Εικόνα 10

ΚΑΘΑΡΙΣΜΟΣ ΒΟΥΡΤΣΑΣ / ΜΑΞΙΛΑΡΙΟΥ ΓΥΑΛΙΣΜΑΤΟΣ



ΠΡΟΣΟΧΗ!

Όταν καθαρίζετε τη βούρτσα / στήριγμα μαξιλαριού, συνιστάται να φοράτε προστατευτικά γάντια επειδή μπορεί να περιέχουν κοφτερά θραύσματα.

1. Με τον τρόπο που αναφέρεται στις προηγούμενες ενότητες, βγάλτε τη βούρτσα / στήριγμα μαξιλαριού.
2. Με τη χρήση νερού και απορρυπαντικού, καθαρίστε τη βούρτσα / στήριγμα μαξιλαριού.
3. Ελέγξτε την πληρότητα και την κατάσταση φθοράς των τριχών της βούρτσας και, αν χρειάζεται, αλλάξτε τη βούρτσα.
4. Ελέγξτε την κατάσταση φθοράς του στηρίγματος μαξιλαριού και, αν χρειάζεται, αλλάξτε το.

ΚΑΘΑΡΙΣΜΟΣ ΔΕΞΑΜΕΝΗΣ ΝΕΡΟΥ ΚΑΙ ΦΙΛΤΡΟΥ ΕΠΙΠΛΕΥΣΗΣ

1. Μετακινήστε το μηχάνημα σε χώρο που να προορίζεται αποκλειστικά για άδειασμα.
2. Πιέστε το διακόπτη ρεύματος (38) στη θέση «Ο» για να κλείσετε το μηχάνημα.
3. Ανοίξτε το καπάκι της δεξαμενής ανάκτησης (A, Εικόνα 11), και βγάλτε τη συσκευή επίπλευσης (36) από τη δεξαμενή ανάκτησης.
4. Χρησιμοποιήστε καθαρό νερό για να καθαρίσετε το καπάκι της δεξαμενής ανάκτησης (A), τη δεξαμενή (B και C), και το πλαίσιο στήριξης του φίλτρου επίπλευσης (E). Μέσω του σωλήνα ανάκτησης (15), στραγγίξτε όλο το νερό από τη δεξαμενή νερού.
5. Εάν χρειαστεί, ακολουθώντας τα σύμβολα «Άνοιγμα» και «Κλείσιμο» όπως φαίνονται στην Εικόνα 11, ανοίξτε το κάτω καπάκι (F) του φίλτρου επίπλευσης και καθαρίστε το φλοτέρ (D), το πλαίσιο στήριξης του φίλτρου επίπλευσης (E), και το σφουγγάρι του φίλτρου (L). Μετά το καθαρίσμα, στερεώστε το φλοτέρ στο πλαίσιο στήριξης του φίλτρου επίπλευσης (E), και μετά ευθυγραμμίστε το σήμα της αυλάκωσης (L) του κάτω καπακιού (F) του φίλτρου επίπλευσης με το σήμα του αυλακιού (L) του πλαισίου στήριξης του φίλτρου επίπλευσης (E). Στρίψτε το κάτω καπάκι (F) του φίλτρου επίπλευσης σφικτά, και στερεώστε το σφουγγάρι του φίλτρου (I) πάνω στο πλαίσιο στήριξης του φίλτρου επίπλευσης (E), και μετά πάνω στο σωλήνα απορρόφησης (M).
6. Ελέγξτε την ορθότητα του δακτυλίου στεγανοποίησης (G) του καπακιού της δεξαμενής νερού.

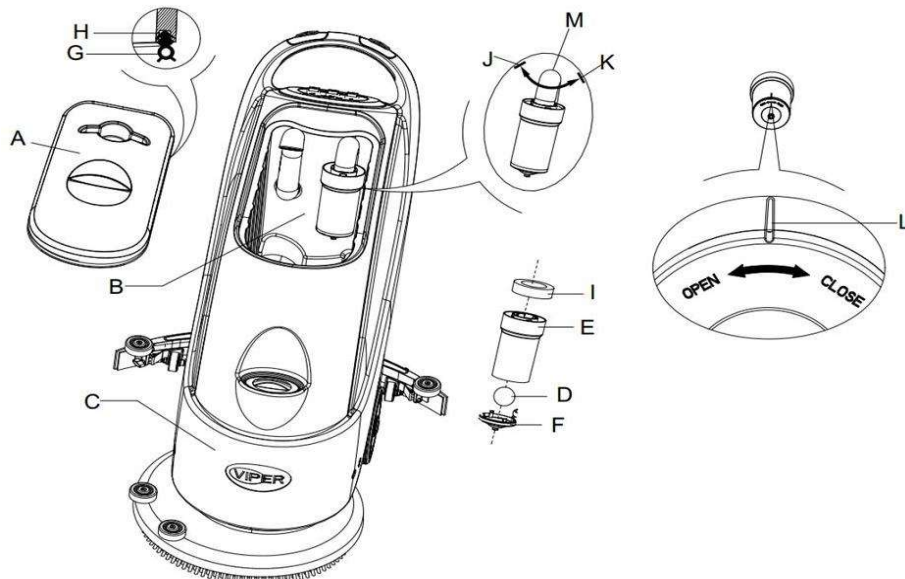


ΣΗΜΕΙΩΣΗ

Η ταινία σφράγισης (G) της δεξαμενής νερού κάνει τη δεξαμενή νερού να δημιουργεί ένα κενό. Πρέπει να είναι εντελώς σφραγισμένο για να μπορεί να τραβάει αποτελεσματικά τα απόβλητα από το πάτωμα.

Εάν χρειαστεί, η ταινία σφράγισης της δεξαμενής νερού (G) μπορεί να βγει από το αυλάκι (H) και να αλλαχθεί. Όταν συναρμολογείτε καινούρια ταινία σφράγισης για τη δεξαμενή νερού, όπως φαίνεται στην Εικόνα 11 πιο κάτω, εγκαταστήστε το βύσμα στη μεσαία περιοχή του πίσω μέρους.

7. Ελέγξτε αν η επιφάνεια υποδοχής της ταινίας σφράγισης (G) είναι ανέπαφη και σφραγίζει επαρκώς.
8. Κλείστε το καπάκι της δεξαμενής ανάκτησης (A).



Εικόνα 11

ΚΑΘΑΡΙΣΜΑ ΤΟΥ ΦΙΛΤΡΟΥ ΔΙΑΛΥΜΑΤΟΣ

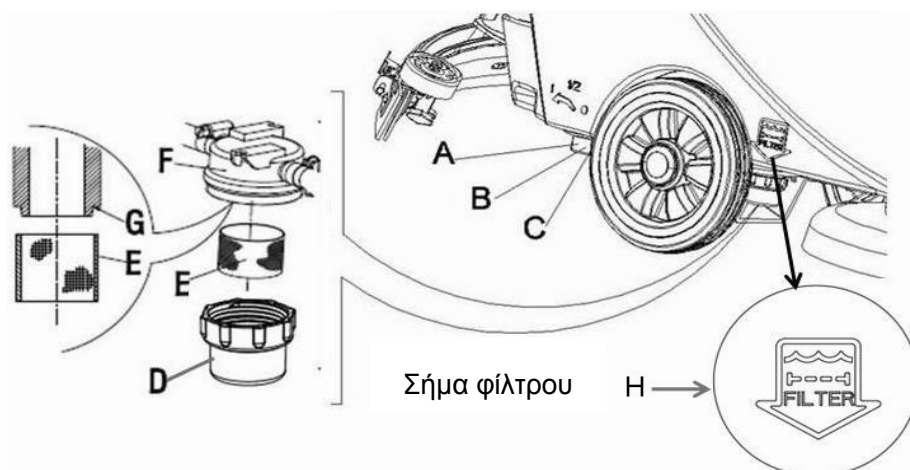
1. Αδειάστε όλο το νερό από τη δεξαμενή διαλύματος με τον τρόπο που αναφέρθηκε στις σχετικές ενότητες.
2. Μετακινήστε το μηχάνημα σε επίπεδο και λείο δάπεδο.
3. Πιέστε το διακόπτη ρεύματος (38) στη θέση «Ο» για να κλείσετε το μηχάνημα.
4. Κλείστε τη σφαιρική βαλβίδα στράγγισης (A, Εικόνα 12) (που βρίσκεται στο κάτω μέρος του μηχανήματος, πίσω από τους τροχούς). Ανοίξτε τη σφαιρική βαλβίδα B, και κλείστε τη σφαιρική βαλβίδα C.
5. Βγάλτε το διάφανο καπάκι (D) και μετά βγάλτε το φίλτρο (E), και εγκαταστήστε τα στο κουτί του φίλτρου (F) μετά το καθάρισμα.



ΣΗΜΕΙΩΣΗ

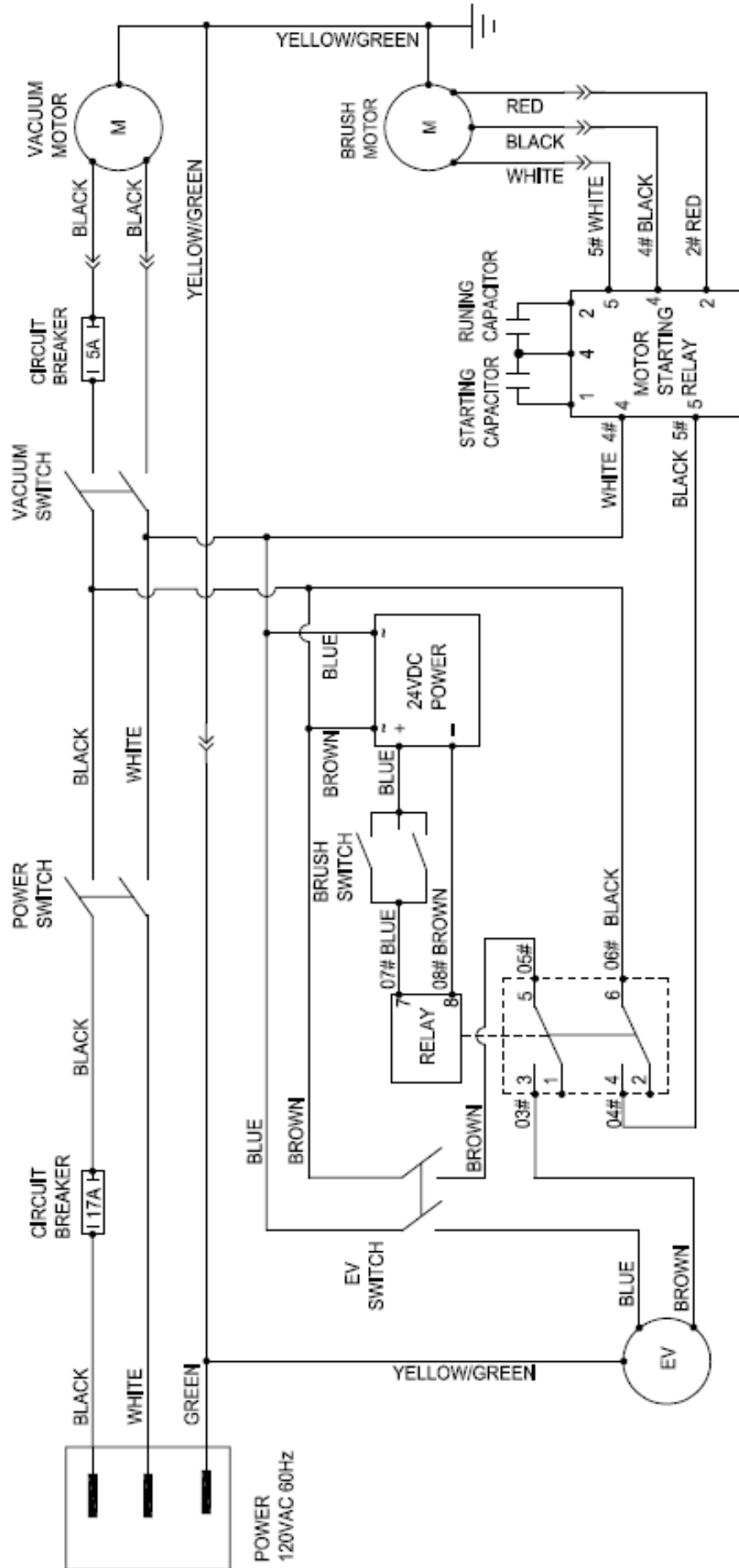
Το φίλτρο (E) πρέπει να εγκατασταθεί με ακρίβεια στη θέση της προεξοχής (G).

6. Ανοίξτε τη σφαιρική βαλβίδα στράγγισης (A).



Εικόνα 12

ΔΙΑΓΡΑΜΜΑ ΣΥΝΔΕΣΜΟΛΟΓΙΑΣ ΓΙΑ ΤΑ ΜΟΝΤΕΛΑ AS430C ΚΑΙ AS510C



ΑΝΤΙΜΕΤΩΠΙΣΗ ΠΡΟΒΛΗΜΑΤΩΝ

Βλάβη	Πιθανές αιτίες	Διορθωτικά μέτρα
Το μηχάνημα δε δουλεύει	Η καλωδίωση δεν έχει γίνει σωστά ή έχει γίνει λάθος	Ελέγξτε την καλωδίωση ή επικοινωνήστε με το διανομέα της Viper
	Έχει χαλάσει το μοτέρ της βούρτσας	Επικοινωνήστε με το διανομέα της Viper
	Έχουν φθαρεί τα καρβουνάκια	Επικοινωνήστε με το διανομέα της Viper
Το μοτέρ απορρόφησης δε δουλεύει	Η καλωδίωση δεν έχει γίνει σωστά ή έχει γίνει λάθος	Ελέγξτε την καλωδίωση ή επικοινωνήστε με το διανομέα της Viper
	Έχει χαλάσει το μοτέρ απορρόφησης	Επικοινωνήστε με το διανομέα της Viper
	Έχουν φθαρεί τα καρβουνάκια	Επικοινωνήστε με το διανομέα της Viper
Υπάρχει μικρή ή καθόλου ροή διαλύματος	Έχει χαλάσει η σφαιρική βαλβίδα	Επικοινωνήστε με το διανομέα της Viper
	Έχει χαλάσει η βαλβίδα διαλύματος	Επικοινωνήστε με το διανομέα της Viper
	Λάθος θέση της σφαιρικής βαλβίδας, και χρειάζεται ρύθμιση	Όταν η σφαιρική βαλβίδα είναι σε οριζόντια θέση, υπάρχει μέγιστη ποσότητα ροής του διαλύματος
	Το φίλτρο έχει βρομίσει	Καθαρίστε το φίλτρο
Ανεπαρκής απορρόφηση	Η δεξαμενή αποβλήτων έχει γεμίσει	Αδειάστε τη δεξαμενή νερού
	Ο σωλήνας απορρόφησης για τα απόβλητα και το μάκτρο δεν έχουν συνδεθεί σωστά	Συνδέστε το σωλήνα απορρόφησης για τα απόβλητα, καθώς και το μάκτρο
	Το φίλτρο του φλοτέρ έχει φράξει ή έχει φράξει η είσοδος	Καθαρίστε το φίλτρο του φλοτέρ, ελέγξτε το φλοτέρ
	Το μάκτρο έχει βρομίσει ή το πτερύγιο του μάκτρου έχει φθαρεί κι έχει πάθει ζημιά	Καθαρίστε και ελέγξτε το μάκτρο
	Το καπάκι της δεξαμενής δεν έχει κλείσει καλά ή έχει πάθει ζημιά η ταινία σφράγισης της δεξαμενής νερού	Επανατοποθετήστε σωστά το καπάκι, ή αλλάξτε την ταινία σφράγισης της δεξαμενής νερού
Το μάκτρο αφήνει σημάδια	Υπάρχουν σκουπίδια όπως π.χ. θραύσματα, κάτω από το πτερύγιο του μάκτρου	Αφαιρέστε τα θραύσματα
	Το πτερύγιο του μάκτρου έχει φθαρεί, ραγίσει ή είναι εύθραυστο	Αλλάξτε το πτερύγιο του μάκτρου
	Δεν έχει ρυθμιστεί η ισορροπία του μάκτρου	Ρυθμίστε την ισορροπία

ΑΠΟΡΡΙΨΗ ΤΟΥ ΜΗΧΑΝΗΜΑΤΟΣ

Χρησιμοποιήστε ειδική μηχανή σύνθλιψης για καταστροφή του μηχανήματος.

Πριν καταστρέψετε αυτό το μηχάνημα, παρακαλώ αφαιρέστε και κρατήστε ξεχωριστά τα ακόλουθα υλικά τα οποία, με βάση τους σχετικούς νόμους και κανονισμούς, πρέπει να επεξεργαστούν σωστά.

- Βούρτσα / στήριγμα μαξιλαριού
- Πλαστικοί σωλήνες και πλαστικά εξαρτήματα
- Ηλεκτρικά και ηλεκτρονικά εξαρτήματα (*)

(*): Παρακαλώ επικοινωνήστε με το πλησιέστερο Κέντρο της VIPER (ειδικά όταν απαιτείται η απόσυρση ηλεκτρικών και ηλεκτρονικών εξαρτημάτων).

İÇİNDEKİLER

GİRİŞ	118
KILAVUZ İÇERİĞİ.....	118
AMAÇ.....	118
YEDEK PARÇA VE BAKIM.....	118
DEĞİŞİKLİK VE GELİŞTİRMELER.....	118
UYGULAMA ALANI.....	118
PAKETİN AÇILMASI/TAŞIMA.....	118
GENEL GÜVENLİK PRENSİPLERİ.....	118
TEKNİK BİLGİLER.....	120
MAKİNE TANITIMI	120
MAKİNE YAPISI.....	120
MAKİNE YAPISINI GÖSTEREN ŞEKİLLER.....	121
KONTROL PANELİ.....	121
KULLANIM KILAVUZU	122
MAKİNEYİ ÇALIŞTIRMADAN ÖNCE.....	122
FIRÇA/KEÇE TUTUCUNUN TAKILMASI VE ÇIKARILMASI.....	122
SILICI LASTİK DENGESİNİN AYARLANMASI.....	122
SU AKIŞ HACMİNİN REGÜLE EDİLMESİ.....	123
MAKİNEİN ÇALIŞTIRILMASI VE DURDURULMASI.....	123
MAKİNE KULLANIMI (TEMİZLEMEVE KURULAMA).....	124
TANK BOŞALTMA.....	124
MAKİNEYİ KULLANDIKTAN SONRA.....	125
İLK KULLANIM.....	125
BAKIM VE MUHAFAZA	125
PLANLI BAKIM TABLOSU.....	126
SİLECEK TEMİZLEME.....	126
SILICI LASTİK BIÇAĞI KONTROLÜ VE DEĞİŞTİRME.....	126
FIRÇA/PARLATMA KEÇESİNİ TEMİZLEME.....	127
SU TANKI VE YÜZER FİLTRE AĞINI TEMİZLEME.....	127
SOLÜSYON FİLTRESİ TEMİZLEME.....	128
AS430C VE AS510C'NİN DEVRE ŞEMASI.....	129
SORUN GİDERME	130
MAKİNEİN ELDEN ÇIKARILMASI	130

GİRİŞ



NOT

Parantez içerisindeki numaralar Makine Tanıtımı bölümünde gösterilen ilgili bileşenlere işaret etmektedir.

KILAVUZ İÇERİĞİ

Bu kılavuz makine kullanıcısına bu makineyi düzgün ve emniyetli bir şekilde kullanması için gerekli olan bilgileri sunmaktadır. Bu bilgiler teknik verileri, makinenin güvenliği, kullanımı, depolanması ve elden çıkarılmasını içermektedir. İlgili yeterliliklere sahip olan teknisyen ve kullanıcılar makineyi kullanmaya ve bakımını yapmaya başlamadan önce bu kılavuzu dikkatle incelemelidirler. Lütfen bu kılavuzda açıklananlarla ilgili daha fazla açıklama veya ilgili daha fazla bilgi gerektiğinde VIPER ile iletişime geçin.

AMAÇ

Bu kılavuzun amacı kullanıcı ve teknisyenlerin makinenin bakımını yapabilmelerini sağlamaktır. Kullanıcılar sadece teknisyenler tarafından gerçekleştirilmesi gereken işlemleri yapmamalıdır. VIPER bu kuralın ihlalinden kaynaklanan hasarlardan sorumlu değildir.

YEDEK PARÇA VE BAKIM

Gerekli olan tüm işletme, bakım ve onarım prosedürleri kalifiye personel veya VIPER Servis Merkezleri tarafından yerine getirilmelidir. Sadece Yetkilendirilmiş olan yedek parçalar ve aksesuarlar kullanılmalıdır. Eğer servis ve yedek parça veya aksesuar siparişi gerekiyorsa lütfen makinenin model ve seri numarası ile birlikte VIPER ile temasa geçin.

DEĞİŞİKLİK VE GELİŞTİRMELER

VIPER ürünleri üzerinde sürekli geliştirmeler yapmaktadır. VIPER makinelerinin üzerinde değişiklik ve geliştirme yapma hakkını saklı tutmaktadır ve ayrıca bu değişikliklerden daha önce üretmiş olduğu ürünlerin faydalanıp faydalanmamasına kendisi karar verme hakkını elinde bulundurmaktadır. Tüm değişiklik ve ilave aksesuarlar VIPER tarafından kabul edilmeli ve gerçekleştirilmelidir.

UYGULAMA ALANI

Bu temizleyiciler iç veya endüstriyel ortamlarda kullanılır ve sert ve yumuşak zeminlerin temizlenmesine uygundur (temizleme ve atık su toplama). Yeterli kullanıcılar ve güvenli ortamlarda kullanılmalıdır. Temizleyici dış mekanları, mobilyaları ve göreceli olarak kaba zeminlerde kullanılmamalıdır.

PAKETİN AÇILMASI/TAŞIMA

Lütfen paketi açarken paket üzerinde yer alan talimatları dikkatli bir şekilde yerine getirin. Teslimat anında lütfen paketi ve makineyi dikkatli bir şekilde kontrol edin ve taşıma esnasında herhangi bir hasar görmediğinden emin olun. Eğer herhangi bir görünür hasar var ise lütfen bu şekilde koruyun ve taşıyıcının meydana gelen hasarı onaylamasını ve listelemesini isteyin.



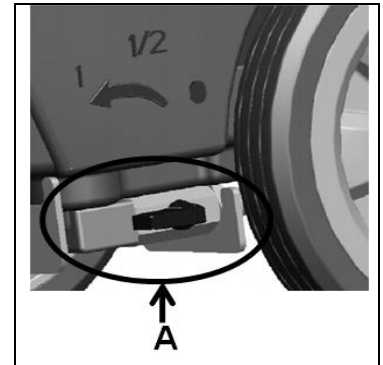
– DİKKAT

Paketin açılması ve indirilmesi esnasında veya makine zeminde yürüyerek hareket ettirilirken lütfen su akışını kontrol eden açma/kapama düğmesine dikkat edin - sağdaki şekilde KISIM A.

Makinede aşağıdaki parçaların bulunduğunu kontrol edin:

Teknik belgeler

- Yıkama Makinesi Kullanım Kılavuzu



GENEL GÜVENLİK PRENSİPLERİ

Aşağıda potansiyel hasara ilişkin özel uyarı ve ikazlar yer almaktadır (personel ve makineye):

**UYARI!**

- Makine sadece bu kılavuzda yer alan yönergelere göre kullanılabilir. Sadece VIPER tarafından onaylanan aksesuarlar kullanılmalıdır.
- Bu makine sadece uygun bir şekilde eğitim almış ve yetkili personel tarafından kullanılmalıdır. Çocuklar veya uygun olmayan personel bu makineyi kullanmamalıdır.
- Elektrikli aletlerin yakınında çalışırken takı takmayın. Lütfen saç, takı ve gevşek kıyafetlerin makinenin hareketli parçalarına yakalanmasını engellemek için gerekli tedbirleri alınız.
- Lütfen bu makineyi özellikle kirli alanlarda kullanmayın. Lütfen makineyi su ile doğrudan yıkamayın. Makinenin korozyif sıvılar ile temas etmesinden kaçınınız.
- Makine için depolama sıcaklığı ve çalışma ortamı sıcaklığı 0 - 40°C arasında olmalıdır.
- Hava nem oranı %30 - %105 olmalıdır.
- Lütfen makineyi %2'den daha fazla bir eğimli bir alanda kullanmayın.
- Yangın durumunda lütfen kuru toz ihtiva eden yangın söndürücü kullanınız. Sıvı yangın söndürücü kullanmayın.
- Makine 0°C altında taşındığı zaman özel dikkat gösterilmelidir. Su tankındaki ve hortumlardaki su donabilir ve makineye ciddi zarar verebilir.
- Makine ile birlikte verilen ve özellikle Kullanım Kılavuzunda belirtilen fırça ve keçe kullanınız. Diğer fırça ve keçelerin kullanılması güvenliği azaltabilir.
- Lütfen makinenin bakım eksikliğinden arızalanmasına müsaade etmeyiniz. Eğer başka şartlardan kaynaklandıysa lütfen yetkili personel veya servis merkezinden yardım isteyiniz.
- Eğer yedek parçaların değiştirilmesi gerektiği doğrulandıysa lütfen yedek parçaları yetkili satıcılar veya acentelerden alınız.
- Makinenin uygun ve güvenli kullanımını sağlamak için lütfen planlı bakım faaliyetinin yetkili bir personel veya servis tarafından, kılavuzun ilgili bölümlerinde gösterilen bakım talimatlarına göre yapılmasını sağlayınız.
- Bu makine uygun şekilde elden çıkarılmalıdır çünkü zehirli ve zararlı materyal olabilir ve bunlar ilgili yasa ve düzenlemelere göre özel merkezlerde yok edilmelidir (lütfen makineyi elden çıkarma bölümüne bakınız).

TEKNİK BİLGİLER

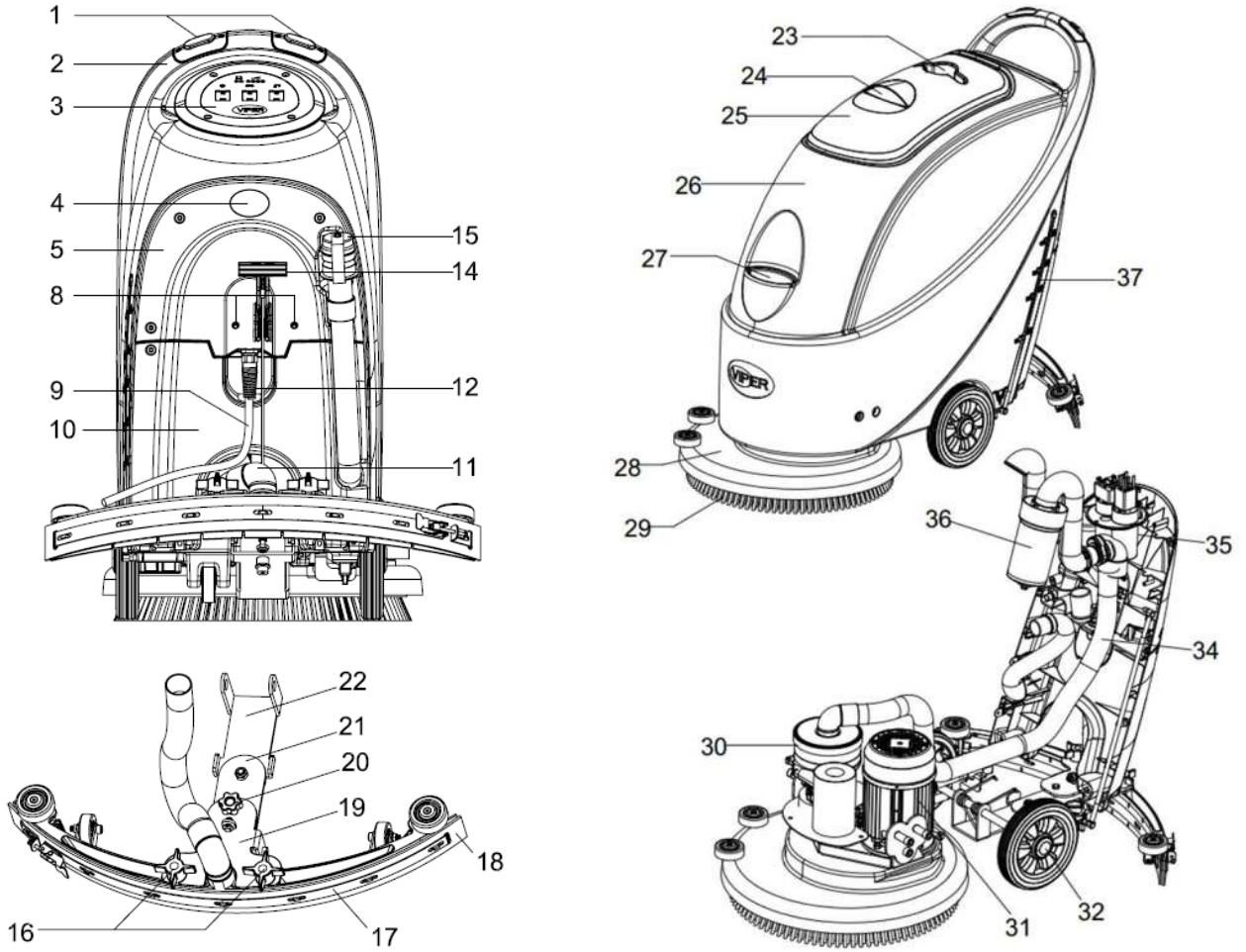
Model	AS430C	AS510C
Makine Yüksekliği	980mm	
Solüsyon tank kapasitesi	50 litre	
Geri kazanım tank kapasitesi	50 litre	
Taşıma tekerlek çapı	200mm	
Kılavuz tekerlek çapı	63.5mm	
Vakum sistem motor gücü	400w	
Çalışma esnasında maksimum eğim	2%(Maks.)	
İş istasyonundaki ses basınç seviyesi	72dB(A) ±3dB(A)	
Kablo uzunluğu	20m	
Vakum sistemi akım kapasitesi	1200 mm H ₂ O	
Temizleme genişliği	430mm	510mm
Silici lastik genişliği	730mm	790mm
Makine azami uzunluğu	1060mm	1100mm
Silici lastik hariç makine genişliği	480mm	540mm
Fırça çapı	430mm	510mm
Boş tanklar ile ağırlık	70kg	74kg
Kullanıma hazır makinenin toplam ağırlığı	120kg	124kg
Fırça motor gücü	750W	
Fırça hızı	150rpm	
Fırça/keçe tutucu Maksimum basıncı	32kg (Maks.)	35kg(Maks)
Paketleme ebatları (Ux G x Y)	1200 x 610 x 1170mm	

MAKİNE TANITIMI

MAKİNE YAPISI

- | | |
|--|---|
| 20. Güvenlik anahtarı | 20. Silici lastik ayar çarkı |
| 21. Kontrol kolu | 21. Silici lastik arka destek çerçevesi |
| 22. Kontrol paneli | 22. Silici lastik ön destek çerçevesi |
| 23. Seri numarası plakası/Teknik veri / Uygunluk sertifikası | 23. Bardak tutucu |
| 24. Kontrol kapağı | 24. Geri kazanım tank kapak tutacağı |
| 25. YOK | 25. Geri kazanım tank kapağı |
| 26. YOK | 26. Tank gövdesi |
| 27. Sıfırlama anahtarı | 27. Su giriş kapağı |
| 28. Güç kablosu | 28. Fırça yeri |
| 29. Batarya kapağı | 29. Fırça / keçe tutucu |
| 30. Atık için vakum tüpü | 30. Vakum sistemi motoru |
| 31. Silici lastik çekme kablosu | 31. Fırça motoru |
| 32. YOK | 32. 8" tekerlek |
| 33. Silici lastik kaldırma kolu | 33. YOK |
| 34. Atık su borusu | 34. Vakum tüpü |
| 35. Silici lastik sabitleme topuzu | 35. Elektrik kutusu |
| 36. Silici lastik kelepçesi | 36. Şamandıra filtre |
| 37. Silici lastik bıçağı | 37. Su seviyesi tüpü (Solüsyon tankındaki su miktarını göstermek için) |
| 38. Silici lastik destek çerçevesi | |

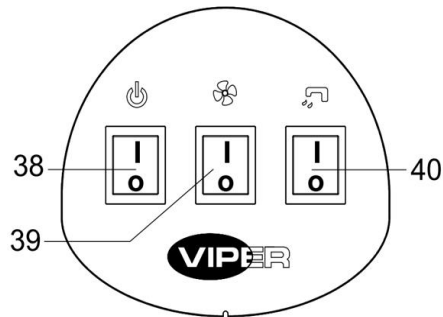
MAKİNE YAPISINI GÖSTEREN ŞEKİLLER



Şekil 1

KONTROL PANELİ (Şekil 2)

- 38. Güç anahtarı
- 39. Vakum anahtarı
- 40. Selenoid valf anahtarı



Şekil 2

KULLANIM KILAVUZU

**UYARI**

Makinenin bazı bölümlerinde bazı uyarıcı işaretler basılıdır:

- TEHLİKE
- UYARI
- DİKKAT
- DANIŞMA

Bu Kılavuzu okurken operatör işaretlerde gösterilen sembollere özel dikkat göstermelidir. Hiçbir durumda bu işaretlerin üzeri kapatılmamalıdır. Eğer bunlar zarar görürse lütfen hemen yenileri ile değiştirin.

MAKİNEYİ ÇALIŞTIRMADAN ÖNCE

FIRÇA/KEÇE TUTUCUNUN TAKILMASI VE ÇIKARILMASI

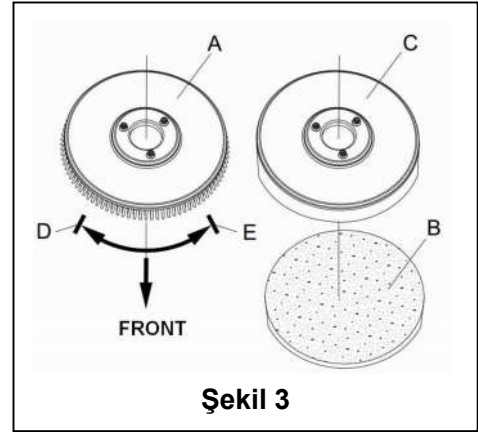
**NOT**

Temizlenecek yüzey türüne göre makineye fırça (Şekil 3, A) veya keçe tutucu (Şekil 3, B ve C) takılmalıdır.

**DİKKAT !**

Fırça/keçe tutucuyu el ile takarken veya çıkarırken öncelikle tüm anahtarların kapalı konumda olduğundan emin olun ve sileceği zeminden yukarı kaldırın sadece bu şekilde fırça veya keçe tutucu üzerinde çalışma yapabilirsiniz. Ayrıca parçaların elinizi kesmemesi için lütfen koruyucu eldiven giyin.

1. (Sadece **AS430C** ve **AS510C** için): Kablo (9)'un güç kaynağını ayırdığından ve anahtar (38)'in bağlantı kesme (O) durumunda olduğundan emin olun.
2. Tank gövdesini (2) kaldırmak için Kontrol kolu (26) aşağı bastırın.
3. Fırçayı (A) veya keçe tutucuyu (B – C) muhafazanın altına koyun.
4. Tank gövdesinin (2) fırça veya keçe tutucu ile temas etmek üzere alçaltması için Kontrol kolu (26) kullanın.
5. Fırça/keçe tutucuyu otomatik olarak takmak için, güç anahtarını (38) "I" pozisyonuna getirin ve güvenlik anahtarını (1) aşağı bastırın. Tankın altındaki kemer tekerleğinin fırça veya keçe tutucunun takılabilecek şekilde hizaya gelmesi için makineyi nazikçe ileriye doğru itin. Daha sonra güvenlik anahtarını serbest bırakın. Eğer gerekli ise bu işlem sırasında fırça/keçe tutucu takılana kadar tekrarlayın.
6. Eğer yukarıdaki Adım 5 zor ise, fırça/keçe tutucuyu takmak için ok şeklindeki başlığı (D) takip edin (Şekil 3).
7. Fırça/keçe tutucuyu otomatik olarak çıkarmak için güç anahtarını (38) "O" pozisyonuna getirin. Kontrol kolu tutmak için tutamağı kullanın ve kılavuz tekerler zemine temas edene ve fırça/keçe tutucu havaya kalkana kadar makineyi aşağı doğru bastırın. Güç anahtarını (38) "I" pozisyonuna getirin ve fırça veya keçe tutucunun zemine düşmesini sağlayana dek dönmeye izin verin.
8. Eğer yukarıda bahsi geçen Adım 7'nin uygulanması zor ise fırça/keçe tutucuyu normal dönme yönünün tersine döndürme şeklinde olan manüel yöntemi kullanın, böylece çıkarılabilecektir. (Şekil 3'de gösterildiği gibi)



Şekil 3

SILICI LASTİK DENGESİNİN AYARLANMASI

9. Sileceği takın ve tutacak ile sıkı bir şekilde döndürün (16). Daha sonra atık için olan vakum tüpünü (11) sileceğe bağlayın.
10. Silici lastik lastiği ayarlama tutacağı (A) ile sileceği ayarlayın (bakınız Şekil 4).
 - 1) Eğer arka silici lastik şeridinin orta bölümü, bölüm B'nin, zemin ile arasında boşluk var ise veya aşağı doğru olan basınç göreceli olarak hafif ise tutacağı arka Silici lastik şeridinin tüm

uzunluğu yere tam temas edene dek saat yönünün tersine döndürerek ayarlayın. Ön silici lastik şeridi zemine hafifçe dokunmalıdır.

- 2) Eğer arka silici lastik şeridinin her iki ucu, bölüm C ve D'nin, zemin ile arasında boşluk var ise veya aşağı doğru olan basınç göreceli olarak hafif ise tutacağı arka Silici lastik şeridinin tüm uzunluğu yere tam temas edene dek saat yönünde döndürerek ayarlayın. Ön silici lastik şeridi zemine hafifçe dokunmalıdır.

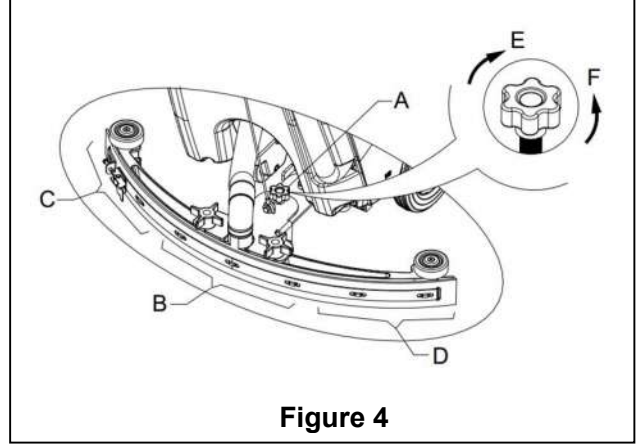


Figure 4

Solüsyon tankı doldurma



DİKKAT!

Sadece düşük köpüklü, yanmayan deterjanlar kullanılabilir. Bu deterjanlar temizleme makinelerinde kullanıma uygun olmalıdır.

11. Su giriş kapağını (27) açın ve solüsyon tankına su ekleyin. Tankı aşırı doldurmayın. Su girişinin filtre tutacağına yakın bir şekilde doldurmak yeterli olacaktır. Temizleme solüsyonlarını hazırlarken, lütfen kimyasal üretici tarafından sağlanan seyreltme oranlarına ve su sıcaklığının 40° C'yi aşmamasına dikkat edin.

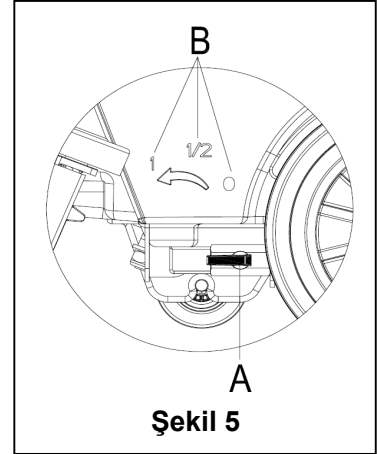
SU AKIŞ HACMİNİN REGÜLE EDİLMESİ



UYARI!

Top şeklinde olan valf tutacağını (A, Şekil 5) regüle ederken güç anahtarı (38) "O" pozisyonunda olmalıdır.

12. Su akış hacmi top şeklinde olan valf tutacağı ile (A, Şekil 5) pratik olarak zemini temizlemeye yetecek kadar su miktarı olacak şekilde ayarlanabilir.



Şekil 5

MAKİNEİN ÇALIŞTIRILMASI VE DURDURULMASI

Makinenin çalıştırılması

1. Yukarıda belirtilen hazırlık adımlarını gerçekleştirin.
2. Güç kablosu (9)'u karşılık gelen güç kaynağına bağlayın ve güç anahtarı (38)'i "I" pozisyonuna getirin.
3. Süpürge alçaltmak için Silici lastik tutamağını (14) kullanın.
4. Vakum anahtarını (39) "I" pozisyonuna getirin.
5. Su akışı hacim kontrol anahtarını (40) "I" pozisyonuna getirin. (Selenoid valfin çalışmasını kontrol etmek için kontrol anahtarı (1) ile eşzamanlı olarak çalışın.)
6. Güvenlik anahtarını (1) tutun ve makineyi ilerletmek için itin. Fırça (29) dönmeye başlar ve makine temizleme işine başlar.



BİLGİ: Makineyi itme şekli

Makinenin özelliklerinden biri Kontrol kolun her iki tarafına güvenlik anahtarı takılmasıdır. Her bir güvenlik anahtarı fırçanın çalıştırılmasını bağımsız olarak kontrol edebilmektedir. Kullanımda makinenin çalışmasını kontrol etmeyi kolaylaştırır.

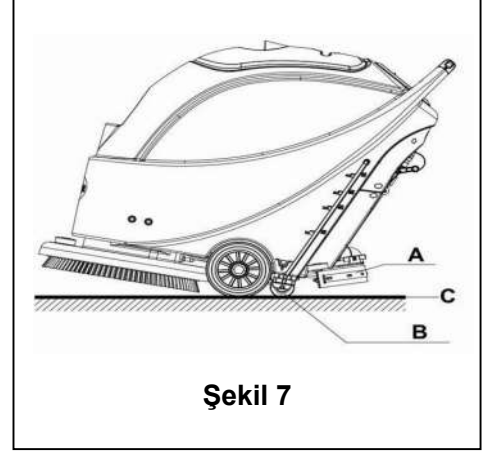
Deneyimler sağdaki Şekil 6'de gösterilen makineyi hareket ettirme şeklinin daha uygun olduğunu göstermektedir, kullanıcılar ellerini daha rahat hissetmektedirler, iş yorgunluğunu azaltmaktadır. Dolayısıyla kullanıcıların makineyi bu şekilde hareket ettirmesi önerilmektedir.



Şekil 6

Makinenin kapatılması

7. Makineyi kullanmayı bitirdiğinizde öncelikle fırça/keçe tutucusunu sökün (fırça/keçe tutucunun takılması ve sökülmesi hakkındaki bölüme bakın)
8. Fırça/keçe tutucusunu (1) ve selenoid valfi kapatmak için güvenlik anahtarını bırakın.
9. Vakum pompası anahtarını (39) "O" pozisyonuna getirin ve vakum pompası durmadan önce 5 saniye daha bekleyecektir.
10. Selenoid valfin çalışmasını tamamen kapatmak için su akışı hacim kontrol anahtarını (40) "O" pozisyonuna getirin.
11. Güç anahtarını (38) "O" pozisyonuna getirin. Ve güç kablosunu (9) güç kaynağından ayırın.
12. Süpürge lastiğini yükseltmek için Silici lastik kaldırma tutamağını (14) kullanın.
13. Tutacağı (2) kavrayın ve kılavuz tekerlek (B) zemine temas edene kadar makineyi nazikçe geriye doğru eğin. Bakınız **Şekil 7**.



Şekil 7

MAKİNE KULLANIMI (TEMİZLEMEVE KURULAMA)

1. Makineyi yukarıda tarif edildiği şekilde çalıştırın.
2. Güvenlik anahtarını (1) tutun (**Şekil 6**'da gösterildiği şekilde), makineyi hareket ettirmek için itin ve temizleme işine başlayın.
3. Eğer gerekirse makineyi kapatın ve Silici lastik düzenleme kolunu ayarlayın. (Silici lastik dengesini ayarlamak için belirtilen iş adımlarına bakın)
4. Eğer gerekirse makineyi kapatın ve top başlıklı kol ile su hacmini ayarlayın. (Su akış hacmini ayarlama adımlarına bakın.)



DİKKAT!

Zemine zarar vermektan kaçınmak için makine bir yerde hareket etmeksizin durduğunda lütfen güç anahtarını (38) kapatın.

TANK BOŞALTMA

Geri kazanım tankı dolu iken otomatik yüzer kapatma cihazı (36) vakum pompasına bağlı olan girişi kapatacaktır. Vakum pompasından gelen ani bir gürültü vakum pompasının aşırı yüklendiğini gösterir ve atık sunun hemen boşaltılması gerekir.



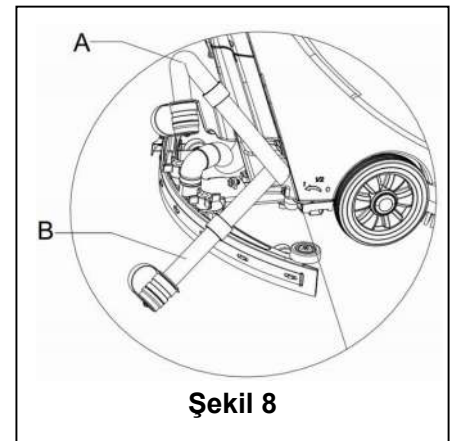
DİKKAT!

Eğer vakum pompası aniden durursa (mesela makinenin ani bir hareketi yüzer kapatma cihazını çalıştırdığından) ve tekrar çalıştırılması gerekiyorsa lütfen şu adımları gerçekleştirin: gücü ve vakum pompasını kapatmak için güç anahtarına (38 ve 39) basın ve yüzer filtresi içerisindeki yüzerin tekrar su seviyesine dönüp dönmediğini kontrol etmek için geri kazanım tankının kapağını (25) açın. Daha sonra geri kazanım tankının kapağını (25) kapatın ve güç ve vakum pompasını açmak için güç anahtarına (38 ve 39) basın.

Geri kazanım tankı tamamen atık su ile dolduğunda boşaltmak için aşağıdaki adımları uygulayın.

Geri kazanım tankını boşaltma

1. Makineyi kapatın.
2. Silici lastik tutamağını (14) kullanarak sileceği kaldırın.
3. Makineyi atık boşaltma yerine götürün.
4. Kontrol kolu (2) kavrayın ve kılavuz tekerlek zemine temas edene kadar makineyi nazikçe geriye doğru eğin. (Makineyi kenara kaldırma için lütfen makinenin durdurulması bölümüne bakın.)
5. Boşaltma hortumunu sabitleme mandalından çıkarın, boşaltma hortumunun üst ucunu bükün (**Şekil 8, A**'da gösterildiği gibi) ve daha sonra boşaltma hortumunun kapağını açın, suyu boşaltmak için boşaltma hortumunu daha aşağı bir seviyeye indirin veya yere bırakın. Alternatif olarak, su çıkışının aşağı doğru bakması için boşaltma hortumunu doğrudan daha alçak bir pozisyona getirin veya yere bırakın (**Şekil 8, B**'de gösterildiği gibi) ve daha sonra tanktaki atık suyu



Şekil 8

boşaltmak için su boşaltma mandalını döndürün. Boşaltma tamamlandığında geri kazanım tankının içerisini durulamak için saf su kullanın.

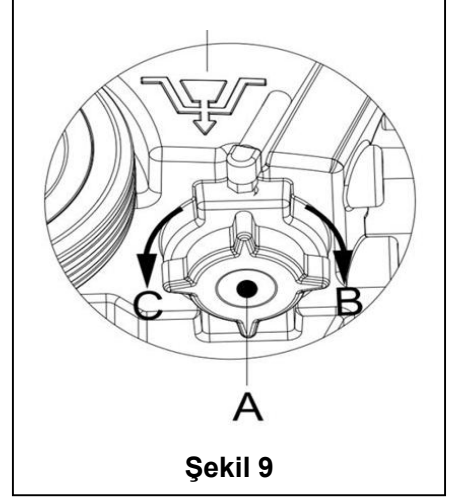


DİKKAT!

Atık suyu boşaltırken, atık için olan vakum tüpü daha alçak bir pozisyona katlanmalı veya alçaltılmalıdır (Şekil 8 A veya B) ve daha sonra suyun boşaltılması için atık su vakum tüpü anahtarını açın. Suyu düşey olarak boşaltmak için vakum tüpü çıkışı yukarıya baktırmayın. Bu atık suyun kullanıcının üzerine dökülmesine engel olmak içindir.

Solüsyon tankını boşaltma

- Adım 1 - 4'ü tamamlayın.
- Şekil 9'te gösterildiği şekilde Solüsyon tankı (A), kapağını C yönünde saat yönünün tersi istikametinde döndürerek açın ve Solüsyon tankını tamamen boşaltın. Su tankının içerisini durulamak için saf su kullanın. İş tamamlandığında Solüsyon tankı (A) kapağını B yönünde sıkıca kapatın.



Şekil 9

MAKİNEYİ KULLANDIKTAN SONRA

İş tamamlandığında makineyi terk etmeden önce aşağıdaki adımları tamamlayın:

- Yukarıda fırça/keçe tutucunun takılması ve sökülmesi konusunda bahsedilen adımları gerçekleştirin ve fırça/keçe tutucuyu çıkarın.
- İlgili bölümlerde tarif edilen adımları yaptırdıktan sonra Solüsyon tankı ve geri kazanım tankındaki suyu tamamen boşaltın.
- Günlük bakım prosedürlerini gerçekleştirin (bakım bölümüne bakın).
- Makineyi, fırça/keçe tutucu ve sileceği ile birlikte temiz ve kuru bir yerde saklayın. Silici lastik kaldırılmalı veya çıkarılmalıdır.

İLK KULLANIM

İlk 9 saat kullanımdan sonra lütfen çalışma sırasında herhangi bir parçanın gevşemediğini veya hasar görmediğini kontrol edin ve gözle görülebilir herhangi bir hasar veya sızıntı olup olmadığını kontrol edin.

BAKIM VE MUHAFAZA

Cihazın kullanım ömrü 10 yıldır.

Makinenin servis ömrü ve azami çalışma güvenliği uygun ve zamanında yapılan bakım ve koruma ile sağlanır.

Aşağıdaki tabloda makine için genel bakım planını göstermektedir. Bakım için zaman aralıkları büyük oranda makinenin çalışma şartlarına göre belirlenmektedir. Bu zaman aralıkları bakımdan sorumlu personel tarafından formüle edilmelidir.



UYARI!

Bu prosedürler sadece makinenin gücü kesilerek gerçekleştirilmelidir. Bakım işlem adımlarından herhangi birini gerçekleştirmeden önce lütfen ilgili güvenlik bölümlerini dikkatli bir şekilde inceleyin

Planda yer alan tüm bakım veya ilave bakımlar kalifiye bir personel tarafından veya yetkili servis merkezlerinde gerçekleştirilmelidir.

Bu kılavuz sadece en basit ve en genel bakım prosedürleri ile alakalıdır.

Bu tabloda belirtilenler veya planlı bakımlar dışındaki herhangi bir bakım prosedürü için servis merkezlerindeki bakım kılavuzuna başvurun.

PLANLI BAKIM TABLOSU

Prosedür	Günlük, Makine kullanıldıktan sonra	Haftalık	Her 6 ay	Yıllık
Sileceği temizleyin				
Fırça/keçe tutucuyu temizleyin				
Su tankını ve yüzer filtreyi temizleyin, su tankının kapatma şeritlerini kontrol edin				
Silici lastik şeridini kontrol edin ve değiştirin				
Solüsyon filtresini temizleyin				
Vakum motor filtresini temizleyin				
Vida ve somunların sıkılığını kontrol edin			(1)	
Fırça/keçe tutucunun motor karbon fırçasını kontrol edin veya değiştirin				(2)
Vakum motorunun karbon fırçasını kontrol edin veya değiştirin				(2)

(1) Makine çalışmaya başladıktan 9 saat sonra yapılmalıdır.

(2) Bu bakım prosedürleri yetkili bir VIPER Servis Merkezinde gerçekleştirilmelidir.

SİLECEK TEMİZLEME



NOT

Su Vakumunun en iyi etkisini sağlamak için Silici lastik temiz tutulmalı ve Silici lastik şeridi iyi durumda olmalıdır.



DİKKAT!

Silici lastik temizlenirken eldiven giyilmesi önerilir çünkü Silici lastik keskin parçalar ihtiva edebilir.

1. Makineyi düz ve yumuşak bir zemine götürün.
2. Makineyi kapatmak için güç anahtarını (38) "O" pozisyonuna getirin.
3. Silici lastik sabitleme kolunu (16) sökün; sileceğin Geri Kazanım Vakum tüpünü bağlayan bağlantıyı çıkarın ve sileceği yerinden çıkarın.
4. Silici lastik destek çerçevesini yükseltmek için Silici lastik kaldırma tutamağını (14) kullanın.
5. Sileceği temizleyin (**Şekil 10**). Özellikle oluşu (**A**, **Şekil 10**) ve Vakum tüpü üzerindeki kir ve artıkları temizleyin. Ön Silici lastik bıçağı (C) ve arka Silici lastik bıçağının (D) sağlam olduğunu ve uçlarında kırık ve çatlak olup olmadığını kontrol edin. Eğer gerekirse değiştirin (aşağıdaki bölümdeki adımları uygulayın).
6. Sileceği yukarıdakinin tersi sıra ile tekrar yerine takın.

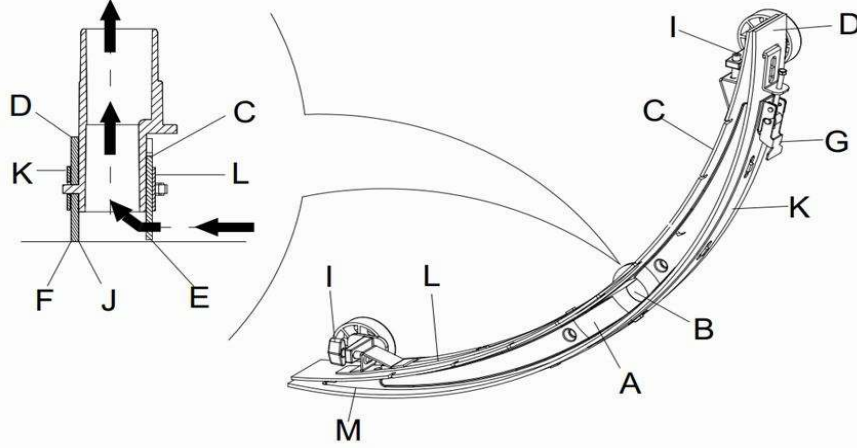
SILICI LASTİK BIÇAĞI KONTROLÜ VE DEĞİŞTİRME

1. Bir önceki bölümde bahsi geçen yöntemleri uygulayarak sileceği (**Şekil 10**) temizleyin
2. Ön Silici lastik bıçağı ucunu (**E**, **Şekil 10**) ve arka Silici lastik (D) bıçağı ucunu (F) kontrol edin. Tüm uzunluk boyunca aynı seviyede olmalıdırlar. Değilse aşağıdaki prosedürü uygulayarak yüksekliklerini ayarlayın.
 - Arka Silici lastik bıçağının (D) mandalını (G) Silici lastik pozisyonunu ayarlamak üzere dirsekten (M) ayırmak için gevşetin. Ayarladıktan sonra mandalı tekrar kilitleyin.
 - Ön Silici lastik bıçağı (C) ayarlamak için kol (I) üzerindeki vidayı gevşetin; ayarladıktan sonra kolu sıkın.
3. Ön Silici lastik bıçağı (C) ve arka Silici lastik bıçağının (D) sağlam olduğunu ve uçlarında kırık ve çatlak olup olmadığını kontrol edin. Gerekirse bunları aşağıdaki yöntemler ile değiştirin. Arka Silici lastik bıçağının (J) ön kenarının yıpranmış olup olmadığını kontrol edin. Eğer yıpranmış ise üst kısım alta gelecek şekilde takılabilir (üst kısmın sağlam olması gerekir). Eğer üst kısım da yıpranmış ise aşağıdaki prosedürü uygulayarak değiştirin:
 - Basınç bıçağının dirsekten (M) ayrılması için mandalı (M) gevşetin, mandal kolunu (K) çıkarın ve daha sonra değiştirin veya arka Silici lastik bıçağının (D) altını üstüne çevirin. Arka Silici lastik bıçağı yukarıdakinin tersi sıra ile tekrar yerine takın.
 - Tutamak vidasını (I) gevşetin ve ön mandal kolunu (L) çıkarın ve daha sonra ön sileceği değiştirin (C).

Ön Silici lastik bıçağını yukarıdakinin tersi sıra ile tekrar yerine takın.

Silici lastik bıçağını değiştirdikten sonra (veya altını üstüne çevirip taktıktan sonra) ön ve arka Silici lastik bıçaklarının yüksekliklerini yukarıda belirtilen şekilde ayarlayın.

4. Vakum tüpünü (11) Silici lastik üzerine takın.
5. Sileceği takın ve sıkıştırmak için topuzu (16) kullanın ve daha sonra Vakum tüpünü sileceğe bağlayın.
6. Eğer gerekirse sileceği ayarlama el çarkını (20) kullanarak ayarlayın (Silici lastik dengesini ayarlamak için anlatılan prosedürlere bakın).



Şekil 10

FIRÇA/PARLATMA KEÇESİNİ TEMİZLEME



DİKKAT!

Fırça/keçe tutucusunu temizlerken, koruyucu eldiven giyilmesi önerilir çünkü keskin parçalar ihtiva edebilirler.

1. Önceki bölümde anlatılan şekilde fırça/keçe tutucuyu çıkarın.
2. Su ve deterjan kullanarak fırça/keçe tutucuyu temizleyin.
3. Fırça kıllarının sağlamlığını ve yıpranma durumunu kontrol edin ve gerekiyorsa fırçayı değiştirin.
4. Keçe tutucunun yıpranma durumunu kontrol edin ve gerekirse keçe tutucuyu değiştirin.

SU TANKI VE YÜZER FİLTRE AĞINI TEMİZLEME

1. Makineyi atık boşaltma yerine götürün.
2. Makineyi kapatmak için güç anahtarını (38) "O" pozisyonuna getirin.
3. Geri kazanım tank kapağını (A, Şekil 11) açın ve yüzer cihazı (36) geri kazanım tankından çıkarın.
4. Geri kazanım tankı kapağını (A), tankı (B ve C) ve yüzer filtre destek çerçevesini (E) temizlemek için saf su kullanın. Geri Kazanım tüpü (15) ile tanktan tüm suyu boşaltın.
5. Gerekirse, Şekil 11'te gösterildiği gibi "Açık" ve "Kapalı" sembollerini takip ederek yüzer filtrenin alt kapağını (F) açın ve yüzeri (D), yüzer filtre destek çerçevesini (E) ve filtre süngerini (I) temizleyin. Temizledikten sonra yüzeri, yüzer filtre destek çerçevesine (E) sabitleyin ve daha sonra alt kapaktaki (F) işaret oyuğunu (L) yüzer filtre destek çerçevesinin (E) işaret oyuğu (L) ile hizalayın. Yüzer filtrenin alt kapağını (F) döndürün ve filtre süngerini (I) yüzer filtre destek çerçevesi (E) üzerine ve daha sonra Vakum tüpü (M) üzerine sabitleyin.
6. Su tank kapağının sızdırmazlık halkasının (G) sağlamlığını kontrol edin.

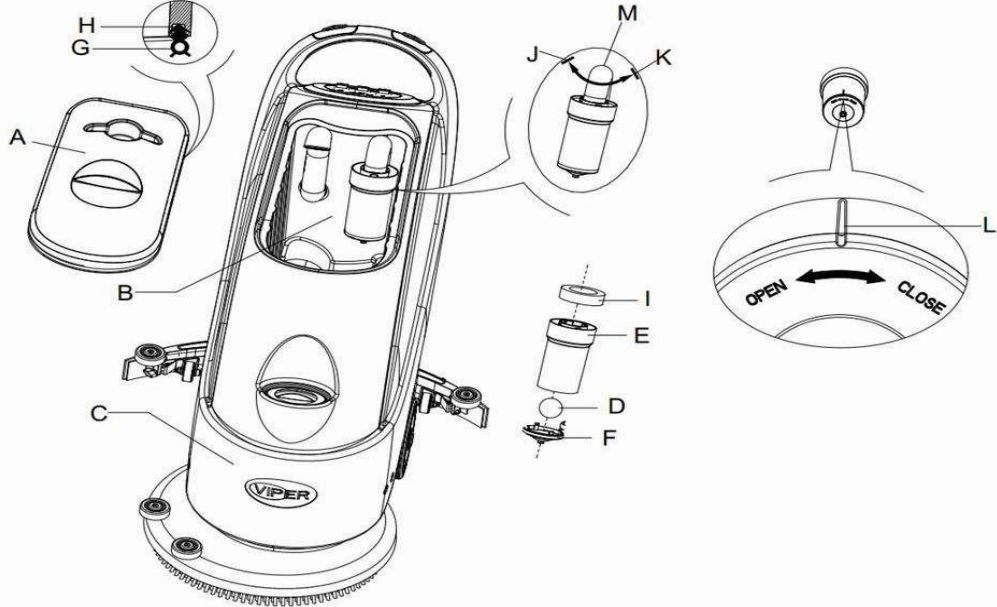


NOT

Su tankının sızdırmazlık halkası (G) su tankının vakum yapmasını sağlamaktadır. Kirli suyun zeminden etkili olarak çekilebilmesi için bunun tamamen sızdırmaz olması gerekmektedir.

Eğer gerekirse su tankının sızdırmazlık şeridi (G) kanaldan (H) çıkarılıp değiştirilebilir. Yeni bir su tankı sızdırmazlık halkası takılırken konektörü arka kısmın orta bölümüne **Şekil 11**'te gösterildiği şekilde takın.

7. Sızdırmazlık halkasının (G) alıcı yüzeyinin sağlam ve yeterince sızdırmazlık sağladığını kontrol edin.
8. Geri kazanım tankı kapağını (A) kapatın.



Şekil 11

SOLÜSYON FİLTRESİ TEMİZLEME

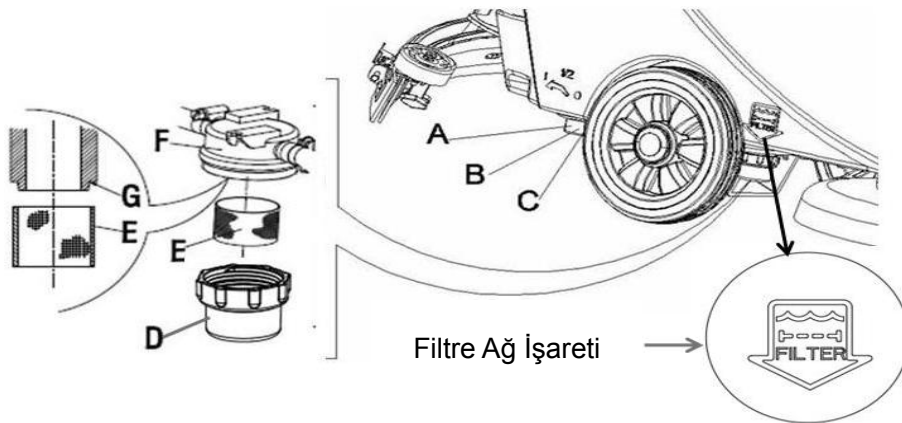
1. Solüsyon tankındaki tüm suyu ilgili bölümlerde gösterildiği şekilde boşaltın.
2. Makineyi düz ve yumuşak bir zemine götürün.
3. Makineyi kapatmak için güç anahtarını (38) "O" pozisyonuna getirin.
4. Boşaltma topuz valfi (A, Şekil 12) kapatın (makinenin altında, tekerlerin arkasında yer almaktadır). B topuz valfi açık ve C topuz valfi kapalı konuma getirin.
5. Transparan kapağı (D) çıkarın ve daha sonra filtreyi (E) çıkarın ve temizledikten sonra bunları filtre kutusuna (F) takın.



NOT

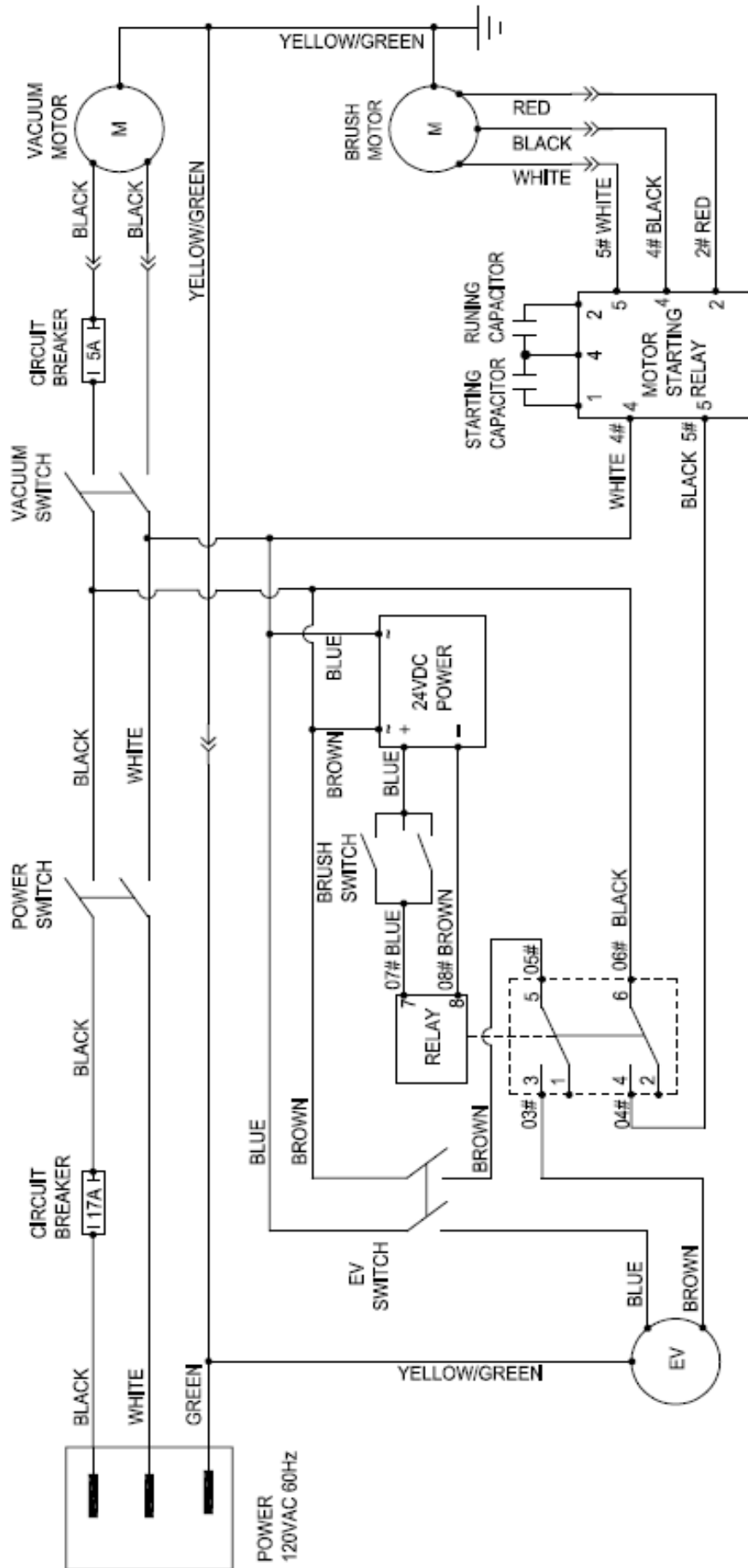
Filtre (E) çıkıntı (G) üzerine düzgün bir şekilde takılmalıdır.

6. Boşaltma topuz valfi (A) açın.



Şekil 12

AS430C VE AS510C'NİN DEVRE ŞEMASI



SORUN GİDERME

Sorun	Muhtemel Sebep	Çözüm
Makine çalışmıyor	Kablolar doğru bir şekilde bağlanmamış veya kötü bağlanmış	Kabloları kontrol edin veya Viper Distribütörü ile irtibata geçin
	Hatalı motor fırçası	Viper Distribütörü ile irtibata geçin
	Karbon fırça yıpranmış	Viper Distribütörü ile irtibata geçin
Vakum motoru çalışmıyor	Kablolar doğru bir şekilde bağlanmamış veya kötü bağlanmış	Kabloları kontrol edin veya Viper Distribütörü ile irtibata geçin
	Hatalı vakum motoru	Viper Distribütörü ile irtibata geçin
	Karbon fırçalar yıpranmış	Viper Distribütörü ile irtibata geçin
Az solüsyon akışı veya akış yok	Hatalı top valf	Viper Distribütörü ile irtibata geçin
	Hatalı solüsyon valfi	Viper Distribütörü ile irtibata geçin
	Top valf pozisyonu ayarlanmalıdır	Top valf yatay pozisyonda iken solüsyon akışı maksimumdur
	Filtre kirlidir.	Filtreyi temizleyin
Yetersiz vakum	Atık su tankı dolu.	Su tankını boşalt
	Atık vakum tüpü ve silecek düzgün şekilde bağlanmamış	Atık için olan vakum tüpünü ve sileceği bağlayın
	Yüzer filtre veya giriş tıkanmış	Yüzer filtreyi temizleyin yüzer topu kontrol edin
	Silecek kirlidir veya silecek bıçağı yıpranmış ve eskimiştir	Sileceği temizleyin ve kontrol edin
	Geri kazanım tank kapağı uygun şekilde takılmamış veya su tankının sızdırmazlık şeridi hasarlı	Kapağı uygun şekilde kapatın veya su tankı sızdırmazlık şeridini değiştirin
Silecek iz bırakıyor	Silecek altında artık benzeri parçalar	Parçaları alın
	Silecek bıçağı yıpranmış, çatlamış, kırılabilir hale gelmiştir.	Silecek bıçağını değiştirin
	Silecek dengesi ayarlanmamış	Dengeyi ayarlayın

MAKİNENİN ELDEN ÇIKARILMASI

Bu makineyi yok etmek için kalifiye bir kırma makinesi kullanın.

Bu makineyi imha etmeden önce lütfen, ilgili yasalara ve düzenlemelere göre uygun şekilde işlenmesi gereken aşağıdaki malzemeleri ayırın.

- Fırça/keçe tutucu
- Plastik hortumlar ve plastik parçalar
- Elektrikli ve elektronik parçalar (*)

(*): Lütfen en yakın VIPER Merkezi ile irtibata geçin (özellikle elektrikli ve elektronik parçaların hurdaya ayrılması gerektiğinde).

OBSAH

ÚVOD	132
OBSAH NÁVODU K OBSLUZE.....	132
ZAMĚŘENÍ.....	132
NÁHRADNÍ DÍLY A ÚDRŽBA.....	132
ZMĚNY A VYLEPŠENÍ	132
ÚČEL POUŽITÍ	132
VYBALENÍ/DODÁVKA.....	132
VŠEOBECNÉ BEZPEČNOSTNÍ POKYNY	132
TECHNICKÉ ÚDAJE	134
POPIS PŘÍSTROJE	134
SLOŽENÍ PŘÍSTROJE	134
OVLÁDACÍ PANEL	135
POUŽITÍ.....	136
PŘED UVEDENÍM PŘÍSTROJE DO PROVOZU	136
MONTÁŽ DRŽÁKU KARTÁČE/PODLOŽKY	136
NASTAVENÍ VYVÁŽENÍ SACÍ TRYSKY	136
REGULACE TOKU VODY	137
SPUŠTĚNÍ A ZASTAVENÍ PŘÍSTROJE	137
OBSLUHA PŘÍSTROJE (ČIŠTĚNÍ A VYSOUŠENÍ).....	138
VYPRÁZDNĚNÍ NÁDRŽE.....	138
PO POUŽITÍ PŘÍSTROJE	139
PRVNÍ POUŽITÍ.....	139
ÚDRŽBA A PÉČE	139
TABULKA PLÁNOVANÉ ÚDRŽBY	140
ČIŠTĚNÍ SACÍ TRYSKY	140
KONTROLA A VÝMĚNA LISTU STĚRKY	140
ČIŠTĚNÍ KARTÁČE/LEŠTICÍ PODLOŽKY	141
ČIŠTĚNÍ MŘÍŽKY NÁDRŽE A MŘÍŽKY FILTRU S PLOVÁKEM.....	141
ČIŠTĚNÍ FILTRU NÁDRŽE ČISTICÍHO PROSTŘEDKU.....	142
SCHÉMA ZAPOJENÍ PRO MODELY AS430C A AS510C	143
ŘEŠENÍ POTÍŽÍ.....	144
LIKVIDACE PŘÍSTROJE.....	144

ÚVOD



POZNÁMKA

Čísla v závorkách se vztahují k součástem uvedeným v kapitole "Popis přístroje".

OBSAH NÁVODU K OBSLUZE

Tento návod má uživateli poskytnout potřebné informace pro správnou a bezpečnou obsluhu tohoto přístroje. Obsahuje informace o technických údajích, bezpečnosti, provozu, skladování, údržbě a likvidaci přístroje. Před používáním a obsluhou tohoto přístroje je třeba, aby si provozovatel a kvalifikovaní technici pečlivě přečetli tento návod k obsluze. V případě dotazů ohledně tohoto návodu nebo dalších informací kontaktujte výrobce VIPER.

ZAMĚŘENÍ

Tento návod slouží provozovateli a kvalifikovaným technikům pro provádění údržby tohoto přístroje. Provozovatel nesmí provádět úkony, které by měli provádět pouze technici. Společnost VIPER neponese odpovědnost za škody způsobené porušením tohoto zákazu.

NÁHRADNÍ DÍLY A ÚDRŽBA

Všechny potřebné úkony, údržbu a opravy musí provádět kvalifikovaný personál nebo servisní střediska společnosti VIPER.

Je nutné používat pouze originální náhradní díly a příslušenství.

Pokud je třeba objednat náhradní díly nebo příslušenství, kontaktujte prosím společnost VIPER. Uvádějte číslo modelu přístroje a sériová čísla.

ZMĚNY A VYLEPŠENÍ

Společnost VIPER neustále zlepšuje své produkty. Společnost VIPER si vyhrazuje právo na změny a úpravy produktů, a také právo rozhodnout, zda tyto výhody bude aplikovat na produkty již dříve prodané. Veškeré změny nebo přidání dodatečného příslušenství musí být provedeny společností VIPER.

ÚČEL POUŽITÍ

Tento přístroj je určen k použití v domácím a průmyslovém prostředí, a je vhodný k čištění hladkých a tvrdých podlah (čištění a vysávání špinavé vody). Musí být používán odbornými pracovníky a v bezpečném prostředí. Tento přístroj není určen pro venkovní použití, čištění koberců a relativně hrubých podlah.

VYBALENÍ/DODÁVKA

Při vybalování prosím pečlivě dodržujte pokyny na obalu.

Při dodání prosím zkontrolujte, zda nebyl obal a přístroj během dodávky poškozen. V případě viditelného poškození si ponechte originální doklad a požádejte dopravce o vyplnění stížnosti na poškození.



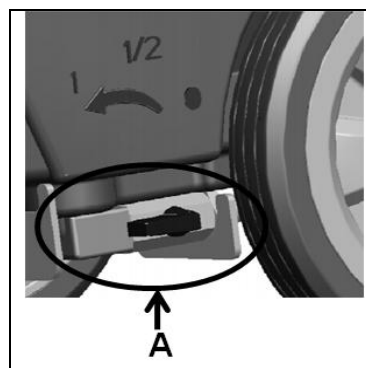
— POZOR

Při vybalování a vykládání nebo při přesunu přístroje po schodech, dávejte pozor, abyste nezavadili o spínač regulace toku vody, viz část A na obrázku vpravo.

Zkontrolujte, zda balení obsahuje následující položky:

Technickou dokumentaci,

— Návod k obsluze mycího stroje



VŠEOBECNÉ BEZPEČNOSTNÍ POKYNY



Následující upozornění a varování upozorňují na možná poškození přístroje (nebezpečí zranění a poškození přístroje):

VAROVÁNÍ !

- Přístroj lze obsluhovat pouze po seznámení se s tímto návodem. Přístroj používejte pouze s příslušenstvím schváleným společností VIPER.
- Tento přístroj musí obsluhovat pouze řádně vyškolený a oprávněný personál. Přístroj nesmí používat děti či neoprávněné osoby.
- Při práci v blízkosti elektrických částí nenoste žádné šperky. Přijměte prosím veškerá preventivní opatření, abyste zabránili zachycení vlasů, šperků a volného oblečení pohyblivými částmi přístroje.
- Přístroj prosím nepoužívejte v nadměrně znečištěných prostorech. Nemyjte přístroj pod přímým proudem vody. Zabraňte kontaktu přístroje s žíravinami.
- Teplota pro skladování a pracovní teplota přístroje se musí pohybovat v rozmezí 0 - 40 °C.
- Vlhkost vzduchu musí být v rozmezí 30 % - 105 %.
- Přístroj používejte na plochách s maximálním stoupáním do 2 %.
- V případě požáru použijte suché práškové hasicí přístroje. Nepoužívejte tekuté hasicí přístroje.
- Při přepravě přístroje je třeba dávat pozor při teplotách pod bodem mrazu. Voda v nádrži na vodu a voda v hadicích by mohla zamrznout a přístroj vážně poškodit.
- Používejte kartáče a podložky dodávané s přístrojem a příslušenství uvedené v návodu. Použití jiných kartáčů nebo podložek by mohlo snížit bezpečnost přístroje.
- V případě poruchy přístroje se ujistěte, že to není způsobeno nedostatečnou údržbou. Pokud se jedná o jinou příčinu, vyhledejte pomoc pověřených pracovníků nebo servisního střediska.
- Pokud je třeba vyměnit náhradní díly, obraťte se na autorizované prodejce nebo zástupce výrobce.
- Pro zajištění bezpečného a řádného provozu stroje nechte kvalifikovanou osobu nebo servisní středisko provést plánovanou údržbu podle plánů údržby v příslušných oddílech tohoto návodu.
- Tento přístroj musí být řádně zlikvidován z důvodu úniku možných jedovatých a nebezpečných látek, tyto látky musí být zlikvidovány speciálními středisky v souladu s příslušnými zákony a předpisy (viz kapitola Likvidace přístroje).

TECHNICKÉ ÚDAJE

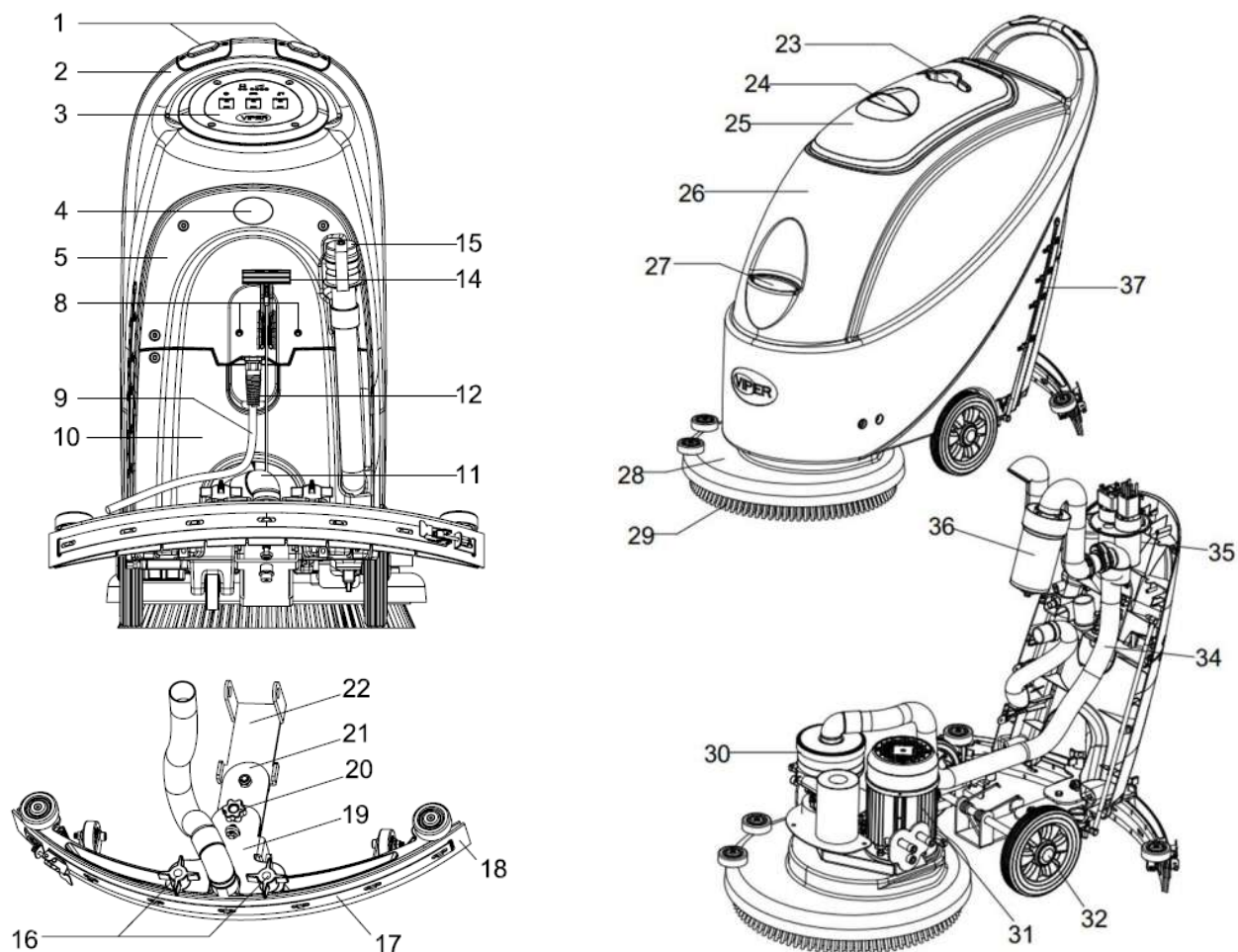
Model	AS430C	AS510C
Výška přístroje	980 mm	
Kapacita nádrže čisticího prostředku	50 litrů	
Kapacita nádrže na obnovu vody	50 litrů	
Průměr přepravního kola	200 mm	
Průměr vodícího kola	63,5 mm	
Příkon motoru sacího systému	400 W	
Stoupavost	max. 2 %	
Hladina akustického tlaku na pracovišti	72 dB (A) ± 3 dB (A)	
Délka kabelu	20 m	
Kapacita okruhu sacího systému	1 200 mm H ₂ O	
Šířka čištění	430 mm	510 mm
Šířka sací trysky	730 mm	790 mm
Maximální délka přístroje	1 060 mm	1 100 mm
Šířka přístroje bez sací trysky	480 mm	540 mm
Průměr kartáče	430 mm	510 mm
Hmotnost s prázdnými nádržemi.	70 kg	74 kg
Hrubá hmotnost přístroje připraveného k použití	120 kg	124 kg
Příkon motoru kartáče	750 W	
Rychlost kartáče	150 rpm	
Přítlak kartáče/podložky	max. 32 kg	max. 35 kg
Rozměry balení (D x Š x V)	1 200 x 610 x 1 170 mm	

POPIS PŘÍSTROJE

SLOŽENÍ PŘÍSTROJE

- Bezpečnostní spínač
- Řídítka
- Ovládací panel
- Štítek se sériovým číslem/Technické údaje /Prohlášení o shodě
- Kryt řízení
- Není k dispozici
- Není k dispozici
- Nulovací spínač
- Napájecí kabel
- Kryt baterie
- Sací trubice na odpad
- Kabel sací trysky
- Není k dispozici
- Úchyt pro zvednutí sací trysky
- Odtoková hadice
- Pevný knoflík sací trysky
- Svorka sací trysky
- List stěrky
- Opěra sací trysky
- Regulační kolečko pro nastavení sací trysky
- Zadní opěra sací trysky
- Přední opěra sací trysky
- Držák nápojů
- Úchyt krytu nádrže na obnovu vody
- Kryt nádrže na obnovu vody
- Tělo nádrže
- Kryt nalévacího otvoru
- Jednotka s kartáči
- Držák kartáče/podložky
- Motor sacího systému
- Motor kartáče
- Kolo
- Není k dispozici
- Sací trubice
- Rozvodná skříň
- Plovákový filtr
- Měrka hladiny vody (pro indikaci množství vody v nádrži čisticího prostředku)

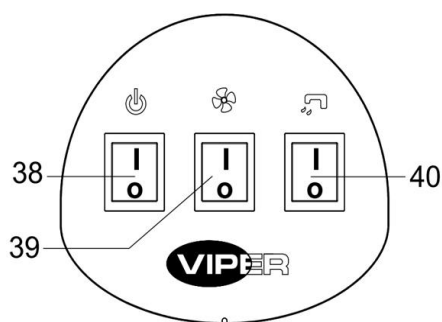
OBRÁZKY SLOŽENÍ PŘÍSTROJE



Obrázek 1

OVLÁDACÍ PANEĽ (Obrázek 2)

- 38. Hlavní spínač
- 39. Spínač sání
- 40. Spínač elektromagnetického ventilu



Obrázek 2

POUŽITÍ



VAROVÁNÍ

Na některých místech přístroje jsou uvedeny štítky označující:

- NEBEZPEČÍ
- VAROVÁNÍ
- POZOR
- DOPORUČENÍ

Při čtení tohoto návodu musí provozovatel věnovat zvláštní pozornost symbolům na štítcích. Tyto štítky za žádných okolností nezakrývejte. V případě jejich poškození je prosím ihned vyměňte.

PŘED UVEDENÍM PŘÍSTROJE DO PROVOZU

MONTÁŽ DRŽÁKU KARTÁČE/PODLOŽKY



POZNÁMKA

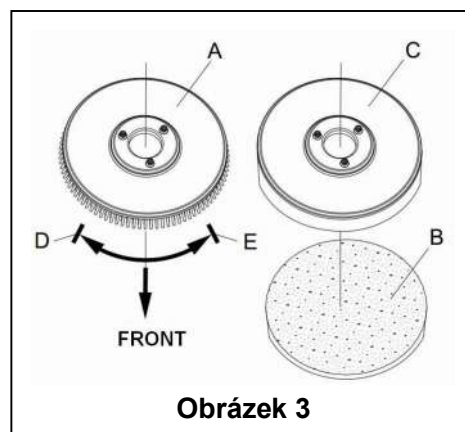
V závislosti na typu podlahy, která se má čistit, může být na přístroj namontován držák kartáče (Obrázek. 3, A), nebo podložky (Obrázek. 3, B a C).



POZOR !

Při ruční montáži nebo vyklopení držáku kartáče/podložky nejprve zkontrolujte, zda jsou všechny spínače vypnuté, tj. v pozici "off" a zvedněte sací trysku od podlahy, teprve poté může držák kartáče či podložky pracovat. Abyste předešli poraněním o ostré části, použijte ochranné rukavice.

1. (Platí pouze pro modely **AS430C** a **AS510C**): ujistěte se, že napájecí kabel (9), který odpojíte, je ve stavu odpojení (O).
2. Pro zvednutí těla nádrže (26) zatlačte směrem dolů na říditka (2).
3. Nasadte držák kartáče (A) nebo podložky (B - C) pod skříňku.
4. Pro spuštění těla nádrže (26) a jeho kontakt s držákem kartáče či podložky použijte říditka (2).
5. Chcete-li namontovat držák kartáče/podložky automaticky, přepněte hlavní spínač (38) do pozice "I" a stiskněte bezpečnostní spínač (1). Jemně postrčte přístroj dopředu, aby se kolo řemenice ve spodní části těla nádrže srovnalo s držákem kartáče či podložky, který pak může být namontován. Poté uvolněte bezpečnostní spínač. Je-li to nutné, opakujte tento postup, dokud není držák kartáče/podložky namontován.
6. Je-li obtížné krok 5 provést, použijte k montáži držáku kartáče/podložky (jak je ukázáno na **Obrázek. 3**) ruční metodu, postupujte podle šipky (D).
7. Pro automatické uvolnění držáku kartáče/podložky přepněte hlavní spínač (38) do pozice "O". Uchopte rukou říditka a stlačte přístroj dolů, až se vodící kolo spustí na podlahu a držák kartáče/podložky bude viset nad zemí. Přepněte hlavní spínač (38) do pozice "I" a stlačte bezpečnostní spínač, aby se držák kartáče/podložky mohl otočit a spustit na podlahu.
8. Pokud je krok 7 obtížné provést, použijte ruční metodu, otočte držák kartáče/podložky v opačném směru do normálního směru otáčení, až ho půjde sejmout. (jak je znázorněno na **Obrázek 3**)

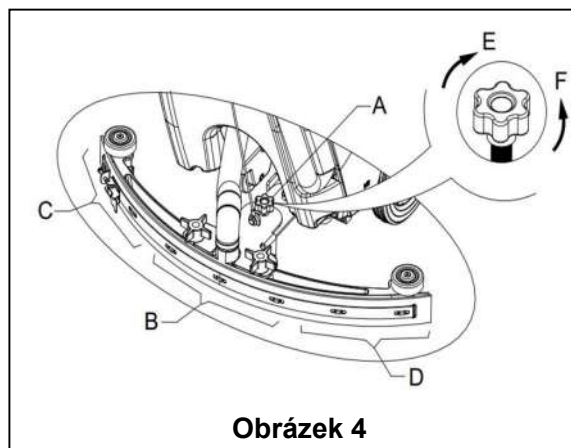


Obrázek 3

NASTAVENÍ VYVÁŽENÍ SACÍ TRYSKY

9. Namontujte sací trysku a otočením úchytu ji upevněte (16). Pak k sací trysce připojte sací trubici (11) na odpad.
10. Upravením úchytu (A) sací trysky nastavte sací trysku (viz **Obrázek. 4**).
 - 1) Je-li mezi střední částí zadní lišty sací trysky, sekce B, a podlahou mezera nebo je-li tlak směrem dolů relativně mírný, nastavte úchyt proti směru hodinových ručiček, až se zadní lišta sací trysky po celé délce dotkne podlahy. Přední lišta sací trysky by se měla lehce dotýkat podlahy.

- 2) Je-li mezi oběma konci zadní lišty sací trysky, sekce C a D, a podlahou mezera nebo je-li tlak směrem dolů relativně mírný, nastavte úchyt ve směru hodinových ručiček, až se zadní lišta sací trysky po celé délce dotkne podlahy. Přední lišta sací trysky by se měla lehce dotýkat podlahy.



Obrázek 4

Plnění nádrže čisticího prostředku



POZOR !
Smí být použity pouze nízce pěnicí a nehořlavé čisticí prostředky. Tyto prostředky musí být vhodné pro mycí stroje.

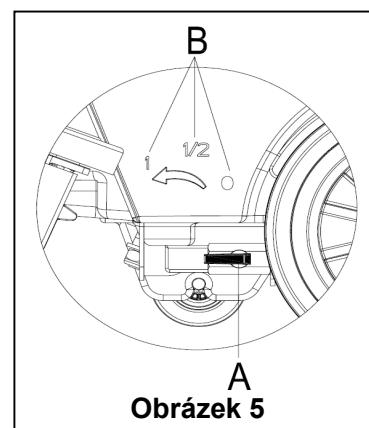
11. Otevřete kryt nalévacího otvoru (27) a do nádrže čisticího prostředku přidejte vodu. Nádrž nepřepĺňujte. Stačí naplnit po okraj držáku filtru nalévacího otvoru. Při přípravě čisticích roztoků prosím postupujte podle instrukcí ředění uvedených výrobcem a teplota vody nesmí překročit 40 °C.

REGULACE TOKU VODY



VAROVÁNÍ !
Regulace úchytu kulového uzávěru (A, obr. 5) musí být provedena, pouze pokud je hlavní spínač (38) v pozici "O".

12. Tok vody lze nastavit pomocí úchytu kulového uzávěru (A, obr. 5) podle množství vody nezbytné pro čištění podlahy.



Obrázek 5

SPUŠTĚNÍ A ZASTAVENÍ PŘÍSTROJE

Spuštění přístroje

1. Proveďte přípravné kroky podle výše uvedeného.
2. Připojte napájecí kabel (9) k odpovídajícímu zdroji napětí a stiskněte hlavní spínač (38) do pozice "I".
3. Pomocí úchytu sací trysky (14) spusťte sací trysku na podlahu.
4. Přepněte spínač sání (39) do pozice "I".
5. Přepněte spínač toku vody (40) do pozice "I". (Pro ovládání práce elektromagnetického ventilu pracujte současně s bezpečnostním spínačem (1).
6. Držte bezpečnostní spínač (1) a postrčte přístroj kupředu. Kartáč (29) se začne otáčet, a přístroj začne čistit podlahu.



DOPORUČENÍ : Způsob tlačení přístroje

Jednou z vlastností tohoto přístroje je použití dvou bezpečnostních spínačů na obou stranách řídítek. Každý bezpečnostní spínač je schopen nezávisle ovládat provoz kartáče. Při použití usnadňuje řízení provozu přístroje.

Podle zkušeností je metoda pohybu přístroje zobrazená na Obrázek. 6 vpravo mnohem vhodnější, pro ruce je mnohem pohodlnější a snižuje to pracovní únavu. Je tedy doporučeno pohybovat přístrojem tímto způsobem.

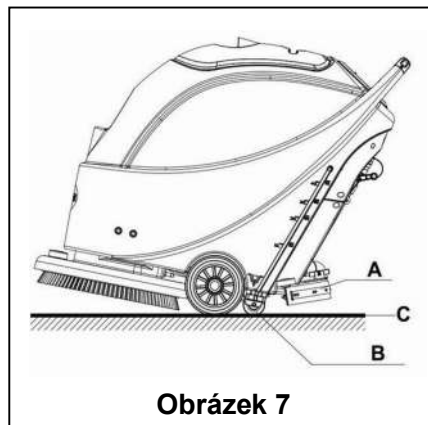


Obrázek 6

Vypnutí přístroje

7. Po použití přístroje nejprve vyklopte držák kartáče/podložky (viz postup v sekci týkající se montáže držáku kartáče/podložky a jeho vyklopení)

8. Pro vypnutí držáku kartáče/podložky a elektromagnetického ventilu uvolněte bezpečnostní spínač (1).
9. Přepněte spínač čerpadla (39) do pozice "O" a čerpadlo se před zastavením práce zpozdí o 5 vteřin.
10. Pro úplné vypnutí elektromagnetického ventilu přepněte spínač toku vody (40) do pozice "O".
11. Přepněte hlavní spínač (38) do pozice "O". A odpojte napájecí kabel (9) od zdroje napájení.
12. Pomocí úchytu pro zvednutí sací trysky (14) zvedněte sací trysku.
13. Uchopte říditka (2) a opatrně nakloňte přístroj dozadu, až se vodící kolečko (B) bude dotýkat podlahy. Viz **Obrázek 7**.



Obrázek 7

OBSLUHA PŘÍSTROJE (ČIŠTĚNÍ A VYSOUŠENÍ)

1. Spusťte přístroj podle výše uvedeného popisu.
2. Držte bezpečnostní spínač (1) (viz **Obrázek 6**), zatlačením uveďte přístroj do pohybu a začněte s čištěním.
3. Pokud je to nutné, vypněte přístroj a nastavte regulační úchyt sací trysky. (Viz postup pro nastavení vyvážení sací trysky)
4. V případě nutnosti přístroj vypněte a nastavte objem toku vody pomocí úchytu kulového uzávěru. (Viz postup nastavení toku vody.)



POZOR !

Aby nedošlo k poškození podlahy, když přístroj stojí na jednom místě v nečinnosti, vypněte hlavní spínač (38).

VYPRÁZDNĚNÍ NÁDRŽE

Když je nádrž na obnovu vody plná, plovák v plovákovém zařízení pro automatické vypnutí (36) zablokuje přívod, který je napojený na čerpadlo. Při zvýšeném hluku čerpadla může jít o přetížení čerpadla a je třeba ihned vypustit špinavou vodu.



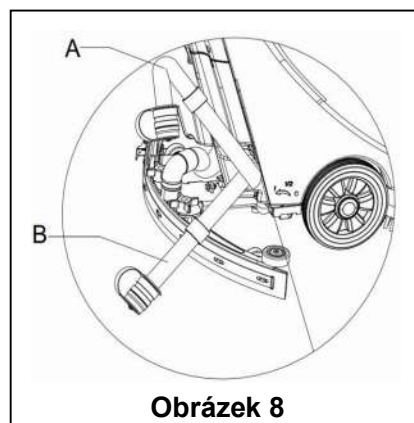
POZOR !

Pokud se čerpadlo najednou vypne (např. proto, že je přístroj náhle přemístěn, čímž se aktivuje plovák) a pokud je třeba operaci obnovit, proveďte následující kroky: pro vypnutí napájení a čerpadla stiskněte hlavní spínač (38 a 39) a otevřete kryt nádrže na obnovu vody (25) a zkontrolujte, zda se plovák v plovákovém filtru vrátil na hladinu vody. Pak zavřete kryt nádrže na obnovu vody (25), stiskněte hlavní spínač (38 a 39) a zapněte napájení a čerpadlo.

Když je nádrž na obnovu vody zcela plná špinavé vody, pro její vyprázdnění postupujte podle následujících kroků.

Vyprázdnění nádrže na obnovu vody

1. Vypněte přístroj.
2. Úchytem pro zvednutí sací trysky (14) zvedněte sací trysku.
3. Přesuňte přístroj na místo určené pro vyprázdnění nádrže.
4. Uchopte říditka (2) a opatrně nakloňte přístroj dozadu, až se vodící kolečko bude dotýkat podlahy. (Postupy pro ukotvení přístroje naleznete v oddíle pro zastavení přístroje.)
5. Sejměte odtokovou hadici z držáku, ohněte horní konec odtokové hadice (jak je uvedeno v **A**, **Obrázek 8**), a poté otevřete kryt odtokové hadice, pro vypuštění vody spusťte odtokovou hadici níže nebo na zem. Nebo můžete odtokovou hadici přímo spustit níže nebo na zem, aby výpusť vody směřovala dolů (jak je uvedeno v **B**, **Obrázek 8**), a potom otočením otevřete víko pro odtok vody, aby se mohla voda z nádrže vypustit. Po vyprázdnění nádrže vnitřek nádrže na obnovu vody vymyjte čistou vodou.



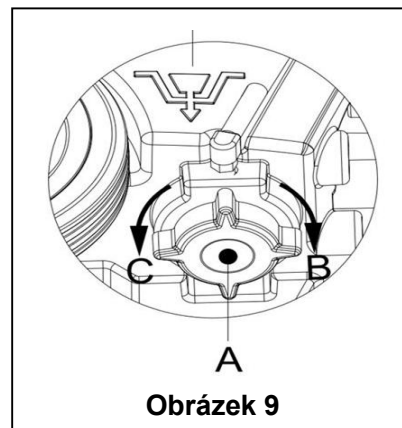
Obrázek 8

**POZOR !**

Při vypouštění špinavé vody musí být sací trubice na odpad složená nebo spuštěná níže (jak je znázorněno na obr. 8 A nebo B), a poté otevřete víčko sací trubice na odpad, aby se mohla špinavá voda vypustit. Výpust sací trubice na odpad nesmí při odtoku vody směřovat nahoru, vodu nelze vypustit vertikálně. Předejdete tak rozlití špinavé vody a zašpinění se.

Vyprázdnění nádrže čisticího prostředku

6. Provedte kroky 1 - 4.
7. Jak je znázorněno na **Obrázek. 9**, otočením otevřete víčko nádrže čisticího prostředku (A) proti směru hodinových ručiček ve směru C a celou nádrž čisticího prostředku vyprázdněte. Vnitřek nádrže čisticího prostředku vymyjte čistou vodou. Po dokončení pevně otočte víčko nádrže čisticího prostředku (A) ve směru hodinových ručiček ve směru B.

**PO POUŽITÍ PŘÍSTROJE**

Po skončení práce a před uskladněním přístroje proveďte následující kroky:

1. Postupujte tak, jak je popsáno ve výše uvedené části o montáži a vyklopení držáku kartáče/podložky a sejměte držák kartáče/podložky.
2. Vyprázdněte vodu z nádrže čisticího prostředku a nádrže na obnovu vody podle postupů popsaných v příslušných částech.
3. Provedte postup pro denní údržbu (viz oddíl Údržba).
4. Přístroj včetně držáku kartáče/podložky a sací trysky skladujte na čistém a suchém místě. Sací tryska by měla být zvednutá nebo sejmutá.

PRVNÍ POUŽITÍ

Po použití během prvních 9 hodin zkontrolujte všechny části, že během provozu nedošlo k uvolnění či poškození a zkontrolujte, zda nejsou tyto části viditelně poškozeny či zda nedošlo k poruše těsnění.

ÚDRŽBA A PÉČE

Životnost a maximální provozní bezpečnost přístroje zajistíte řádnou a včasnou údržbou a péčí. Následující tabulka obsahuje obecný plán údržby přístroje. Časové intervaly údržby jsou do značné míry určeny pracovními podmínkami přístroje. Tyto časové intervaly by měly formulovat pracovníci odpovědní za údržbu.

**VAROVÁNÍ !**

Tyto úkony by se měly provádět pouze po odpojení přístroje od napájení. Před prováděním úkonů údržby si prosím pečlivě přečtěte související oddíly týkající se bezpečnosti.

Všechny plánované nebo výjimečné úkony údržby musí být prováděny kvalifikovaným personálem nebo autorizovaným servisním střediskem.

Tento návod popisuje pouze snazší a nejběžnější úkony údržby.

Pro ostatní úkony údržby neuvedené v této tabulce plánované údržby se poraďte se servisním střediskem.

TABULKA PLÁNOVANÉ ÚDRŽBY

Úkon	Každý den, po použití přístroje	Každý týden	Každých 6 měsíců	Každý rok
Čištění sací trysky				
Čištění držáku kartáče/podložky				
Čištění nádrže na čistou vodu a plovákového filtru, kontrola těsnění nádrže na čistou vodu				
Kontrola a výměna lišty sací trysky				
Čištění filtru nádrže čisticího prostředku				
Čištění filtru motoru sání				
Kontrola dotažení matic a šroubů			(1)	
Kontrola nebo výměna motorového uhlíkového držáku kartáče/podložky				(2)
Kontrola nebo výměna uhlíkového kartáče motoru sání				(2)

(1) Tento úkon údržby by se měl provádět po 9 hodinách obsluhy přístroje.

(2) Tyto úkony údržby musí být provedeny v autorizovaném servisním středisku společnosti VIPER.

ČIŠTĚNÍ SACÍ TRYSKY

**POZNÁMKA**

Pro optimální funkci sání je třeba sací trysku čistit a lištu sací trysky je třeba udržovat v dobrém stavu.

**POZOR !**

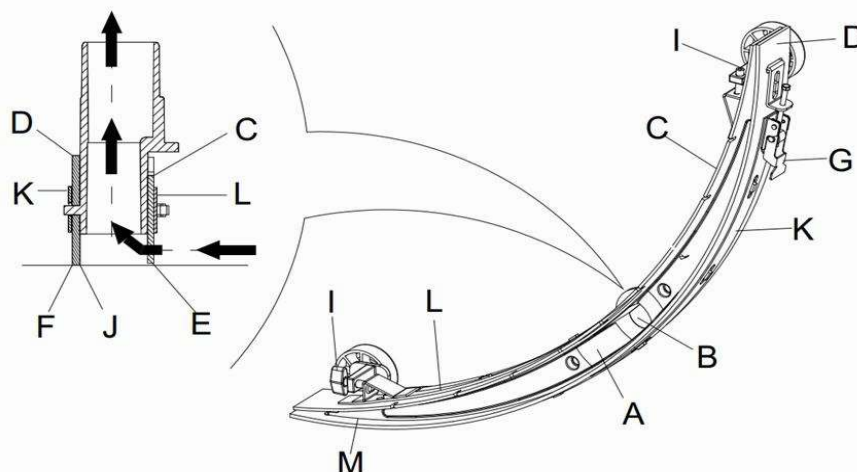
Při čištění sací trysky se doporučuje nosit ochranné rukavice, protože byste se mohli pořezat o ostré hrany.

1. Přesuňte přístroj na rovný a hladký povrch.
2. Pro vypnutí přístroje přepněte hlavní spínač (38) do pozice "O".
3. Vyšroubujte pevný úchyt (16) sací trysky; sundejte konektor spojující sací trubici trysky a sundejte sací trysku.
4. Pomocí úchytu pro zvednutí sací trysky (14) zvedněte sací trysku.
5. Vyčistěte sací trysku (**obrázek 10**). Vyčistěte zejména drážku (**A, obrázek 10**), a nečistoty na sací trubici. Zkontrolujte, zda nejsou přední chlopeč sací trysky (C) a zadní chlopeč sací trysky (D) poškozené a zda nemají narušené hrany. Případně je vyměňte (viz postup v následující části).
6. Znovu namontujte sací trysku v opačném pořadí, jak je uvedeno výše.

KONTROLA A VÝMĚNA LISTU STĚRKY

1. Vyčistěte sací trysku podle postupu popsaného v předchozí části (**obrázek 10**).
2. Zkontrolujte hranu (**E, Obrázek. 10**) přední chlopně sací trysky a hranu (F) zadní chlopně sací trysky (D). Měly by být po celé délce na stejné úrovni. Případně upravte jejich výšku podle následujícího postupu.
 - Pro nastavení polohy sací trysky uvolněte svorku (G), aby se uvolnila zadní chlopeč sací trysky (D) od držáku (M). Po nastavení svorku znovu uzavřete.
 - Povolte šroub na úchytu (I) pro nastavení přední chlopně sací trysky (C); poté utáhněte šroub na úchytu.
3. Zkontrolujte, zda nejsou přední chlopeč sací trysky (C) a zadní chlopeč sací trysky (D) poškozené a zda nemají narušené hrany. V případě nutnosti je vyměňte podle následujícího postupu. Zkontrolujte, zda není přední hrana zadní chlopně sací trysky (J) opotřebená. Pokud je opotřebená, lze ji namontovat obráceně (horní hrana musí být netknutá). Je-li horní hrana také opotřebená, vyměňte ji podle následujícího postupu:
 - Uvolněte svorku (G), aby se uvolnila chlopeč od držáku (M), sundejte zástrčku svorku (K), a poté vyměňte nebo otočte zadní chlopeč sací trysky (D) vzhůru nohama. Znovu namontujte zadní chlopeč sací trysky podle postupu pro demontáž, ale kroky provádějte v opačném pořadí.

- Uvolněte šroub na úchyty (I) a sundejte zástrčku přední svorky (L), a poté vyměňte přední sací trysku (C).
Znovu namontujte přední chlopeň sací trysky podle postupu pro demontáž, ale kroky provádějte v opačném pořadí.
Po výměně chlopně sací trysky (nebo montáži do obrácené polohy), nastavte úroveň přední a zadní chlopně sací trysky podle výše uvedených postupů.
- 4. Připojte sací trubici (11) k sací trysce.
- 5. Namontujte sací trysku a utáhněte ji knoflíkem (16) a pak k sací trysce připojte sací trubici.
- 6. V případě potřeby sací trysku upravte pomocí regulačního kolečka (20) (viz postupy pro nastavení vyvážení sací trysky).



Obrázek 10

ČIŠTĚNÍ KARTÁČE/LEŠTICÍ PODLOŽKY



POZOR !

Při čištění držáku kartáče/podložky se doporučuje nosit ochranné rukavice, protože byste se mohli pořezat o ostré hrany.

1. Sejměte držák kartáče/podložky, jak je uvedeno v předchozích oddílech.
2. Vyčistěte držák kartáče/podložky vodou a čisticím prostředkem.
3. Zkontrolujte, zda není kartáč porušen či opotřebován a v případě potřeby kartáč vyměňte.
4. Zkontrolujte, zda není držák podložky opotřebován a v případě potřeby ho vyměňte.

ČIŠTĚNÍ MŘÍŽKY NÁDRŽE A MŘÍŽKY FILTRU S PLOVÁKEM

1. Přesuňte přístroj na místo určené k čištění.
2. Pro vypnutí přístroje přepněte hlavní spínač (38) do pozice "O".
3. Otevřete víko nádrže na obnovu vody (A, obrázek 11) a vyndejte zařízení s plovákem (36) z nádrže na obnovu vody.
4. Vyčistěte víko nádrže na obnovu vody (A), nádrž (B a C) a podpěru plovákového filtru (E) čistou vodou. Pomocí hadice (15) vypusťte z nádrže na vodu veškerou vodu.
5. Je-li to nutné, podle symbolů "Open" (Otevřít) a "Close" (Zavřít), jak je znázorněno na **Obrázek 11**, otevřete spodní víko (f) plovákového filtru a vyčistěte plovák (D), podpěru plovákového filtru (E), a houbu filtru (I). Po vyčištění upevněte plovák na podpěru plovákového filtru (E) a srovnajte značku na drážce (L) spodního víka (F) plovákového filtru se značkou na drážce (L) podpěry plovákového filtru (E). Pevně otočte spodní víko (F) plovákového filtru a upevněte houbu filtru (I) na podpěru plovákového filtru (E), a pak na sací trubici (M).
6. Zkontrolujte utěsnění těsnicího kroužku (G) na víku nádrže na vodu.

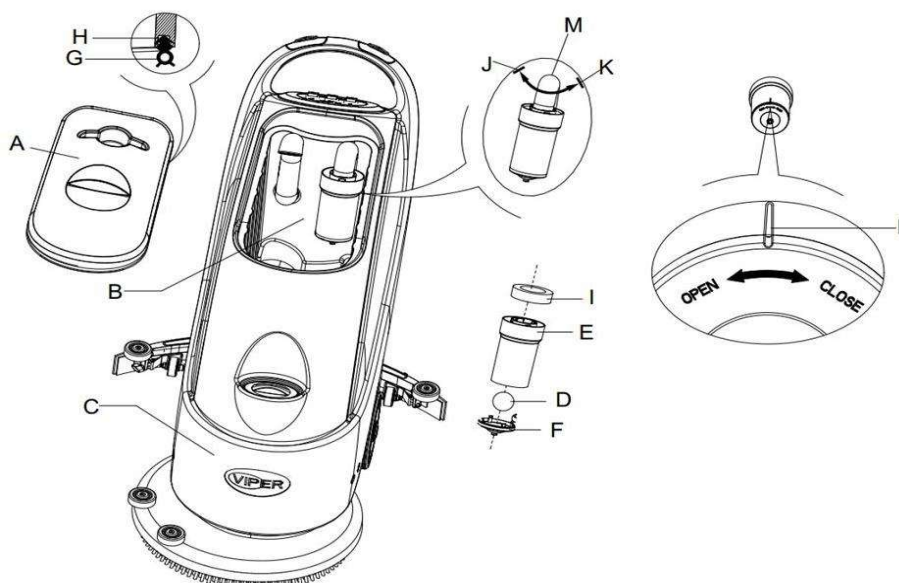


POZNÁMKA

Těsnicí pásek (G) nádrže na vodu vytvoří v nádrži vakuum. Musí být zcela uzavřená, aby bylo možné efektivně vysát špinavou vodu z podlahy.

Pokud je to nutné, můžete těsnicí pásek z nádrže na vodu (G) vyjmout z drážky (H), a vyměnit ho. Při montáži nového těsnicího pásku nádrže na vodu, jak je znázorněno na **Obrázek 11** níže, nainstalujte konektor do středu zadní části.

- Zkontrolujte, zda je povrch těsnicího pásku (G) neporušený a zda náležitě těsní.
- Zavřete víko nádrže na obnovu vody (A).



Obrázek 11

ČIŠTĚNÍ FILTRU NÁDRŽE ČISTICÍHO PROSTŘEDKU

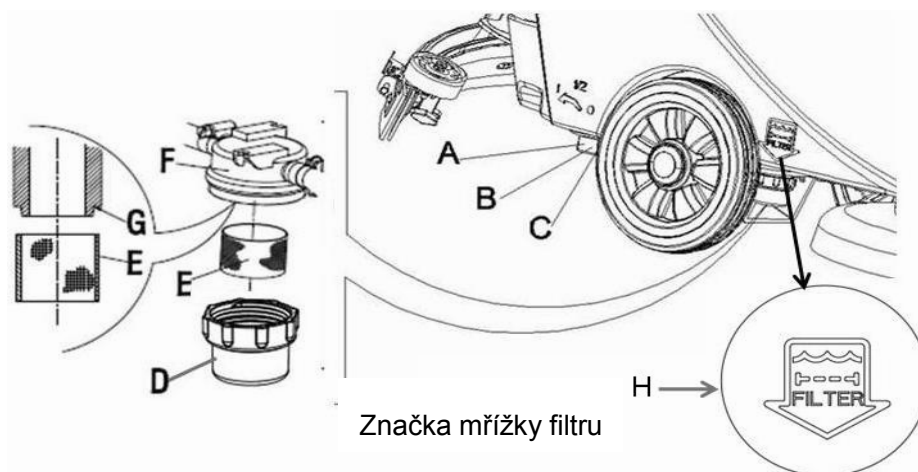
- Odčerpajte veškerou vodu z nádrže čisticího prostředku tak, jak je uvedeno v souvisejících oddílech.
- Přesuňte přístroj na rovný a hladký povrch.
- Pro vypnutí přístroje přepněte hlavní spínač (38) do pozice "O".
- Vypněte odtokový kulový uzávěr (A, **Obrázek 12**), (nachází se v dolní části přístroje, za kolečky). Kulový uzávěr B otevřete a kulový uzávěr C zavřete.
- Sejměte průhledné víko (D), a pak vyjměte filtr (E), a po čištění je namontujte na skříňku filtru (F).



POZNÁMKA

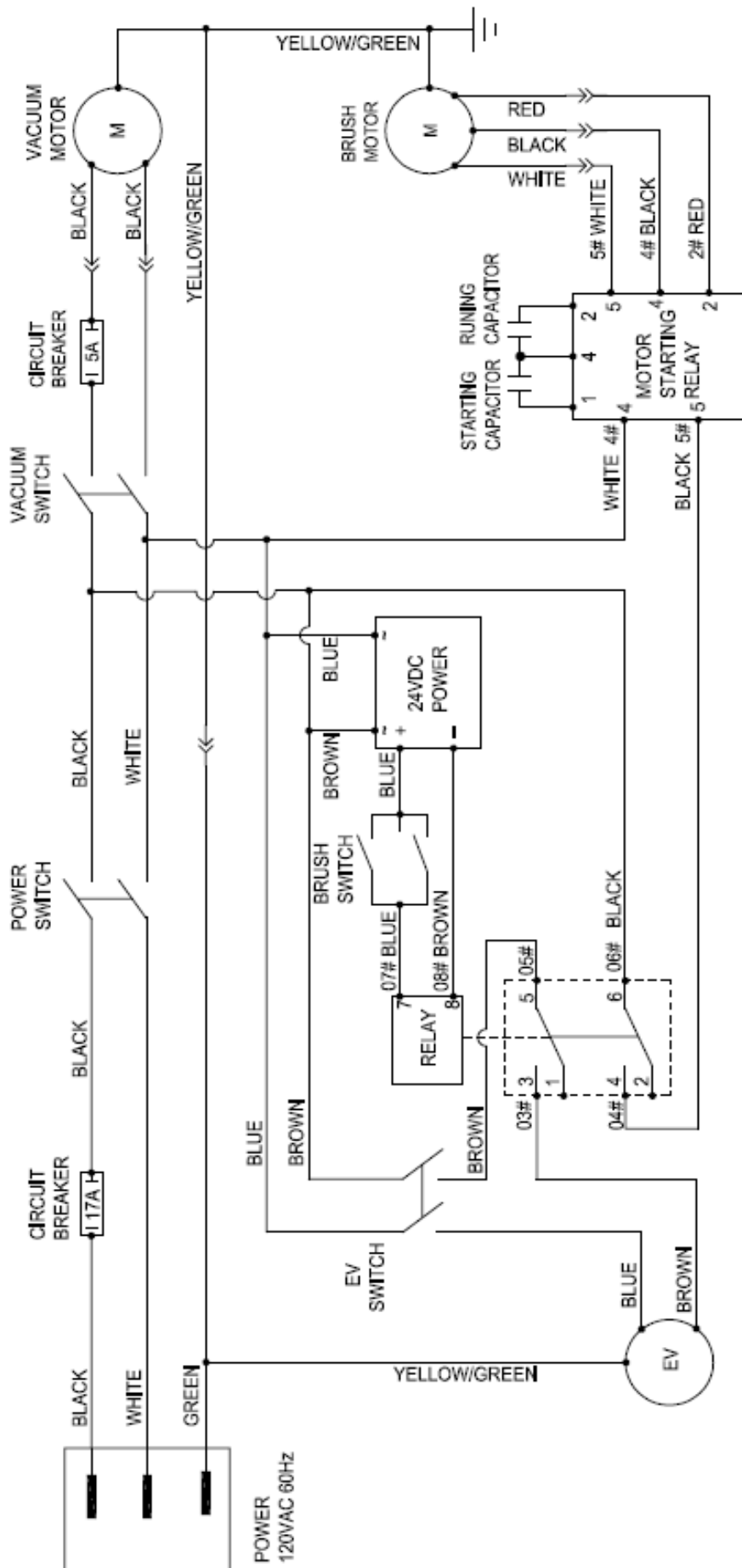
Filtr (E) musí být přesně namontován na pozici výstupku (G).

- Otevřete odtokový kulový uzávěr (A).



Obrázek 12

SCHÉMA ZAPOJENÍ PRO MODELY AS430C A AS510C



ŘEŠENÍ POTÍŽÍ

Problém	Možné příčiny	Řešení
Přístroj nefunguje	Kabel není správně připojen nebo je poškozen.	Zkontrolujte kabel nebo kontaktujte dodavatele produktů Viper.
	Motor kartáčů je poškozen	Kontaktujte dodavatele produktů Viper.
	Uhlíkové kartáče jsou opotřebované.	Kontaktujte dodavatele produktů Viper.
Motor sání nefunguje	Kabel není správně připojen nebo je poškozen.	Zkontrolujte kabel nebo kontaktujte dodavatele produktů Viper.
	Poškozený motor sání	Kontaktujte dodavatele produktů Viper.
	Uhlíkové kartáče jsou opotřebované.	Kontaktujte dodavatele produktů Viper.
Nízký nebo žádný přívod čisticího prostředku	Kulový uzávěr je poškozen.	Kontaktujte dodavatele produktů Viper.
	Uzávěr nádrže čisticího prostředku je poškozen.	Kontaktujte dodavatele produktů Viper.
	Pozici kulového uzávěru je třeba upravit.	Když je kulový uzávěr v horizontální pozici, množství toku čisticího prostředku je maximální.
	Filtr je zanesený.	Vyčistěte filtr.
Špatný sací výkon	Nádrž na obnovu vody je plná.	Vyprázdněte nádrž na obnovu vody.
	Sací trubice na odpad a sací tryska nejsou řádně připojeny.	Připojte sací trubici na odpad a sací trysku.
	Plovákový filtr nebo přívod jsou zanesené.	Vyčistěte plovákový filtr, zkontrolujte plovák.
	Sací tryska je zanesená nebo jsou sací chlopně opotřebované a poškozené.	Vyčistěte a zkontrolujte sací trysku.
	Nádrž na obnovu vody není řádně zavřená nebo je těsnicí pásek nádrže na vody poškozen.	Víko řádně dovřete nebo vyměňte těsnicí pásek nádoby na vodu.
Sací tryska zanechává na podlaze pruhy	Chlopně sací trysky jsou poškozené.	Odstraňte znečištění.
	Chlopně sací trysky jsou opotřebované nebo poškozené.	Vyměňte chlopně sací trysky.
	Sací tryska není vyvážená.	Upravte vyvážení.

LIKVIDACE PŘÍSTROJE

K likvidaci tohoto přístroje použijte kvalifikovaný drticí stroj.

Před likvidací tohoto přístroje vyjměte a oddělte následující materiály, které musí být řádně recyklovány podle souvisejících zákonů a předpisů.

- Držák kartáče/podložky
- Plastové hadice a plastové součásti
- Elektrické a elektronické součásti (*)

(*): Prosím kontaktujte nejbližší středisko společnosti VIPER (zejména při likvidaci elektrických a elektronických součástí)

SPIS TREŚCI

WPROWADZENIE	146
TREŚĆ INSTRUKCJI.....	146
CEL	146
CZĘŚCI ZAMIENNE I KONSERWACJE	146
ZMIANY I MODERNIZACJE	146
ZASTOSOWANIE	146
ODPAKOWANIE/TRANSPORT	146
OGÓLNE WSKAZÓWKI BEZPIECZEŃSTWA.....	147
DANE TECHNICZNE	148
OPIS MASZINY	148
BUDOWA URZĄDZENIA	148
PANEL STEROWANIA	149
SPOSÓB UŻYTKOWANIA	150
PRZED URUCHOMIENIEM URZĄDZENIA	150
MONTAŻ I ZDEJMOWANIE SZCZOTKI / UCHWYTU PŁYTY	150
POZIOMOWANIE ŚCIĄGACZKI	150
REGULACJA PRZEPŁYWU WODY	151
URUCHAMIANIE I ZATRZYMYWANIE URZĄDZENIA.....	151
EKSPLOATACJA URZĄDZENIA (SZCZOTKOWANIE I SUSZENIE)	152
OPRÓŻNIANIE ZBIORNIKA.....	152
NA ZAKOŃCZENIE PRACY Z URZĄDZENIEM	153
PIERWSZE UŻYCIE	153
KONSERWACJA I PIELEGNACJA	153
HARMONOGRAM PRZEGLĄDÓW.....	154
CZYSZCZENIE SSAWY	154
KONTROLA I WYMIANA GUMYSSAWY	154
CZYSZCZENIE SZCZOTKI/TRZYMAKA PAD	155
CZYSZCZENIE ZBIORNIKA WODY I KRATKI FILTRA	155
CZYSZCZENIE FILTRA ROZTWORU MYJĄCEGO	156
SCHEMAT OBWODU DLA AS430C I AS510C	157
USUWANIE USTEREK.....	158
UTYLIZACJA URZADZENIA.....	158

WPROWADZENIE



INFORMACJA

Liczby w nawiasach odnoszą się do elementów pokazanych w rozdziale Opis maszyny.

TREŚĆ INSTRUKCJI

Celem niniejszej instrukcji jest przekazanie niezbędnych informacji potrzebnych do właściwego i bezpiecznego użytkowania urządzenia. Zawiera ona dane techniczne, zasady bezpieczeństwa, obsługi, konserwacji i utylizację urządzenia. Operator oraz technicy o stosownych kwalifikacjach muszą ją dokładnie przeczytać, zanim rozpoczną użytkowanie i konserwację urządzenia. W przypadku wątpliwości prosimy o kontakt z VIPER.

CEL

Instrukcja uczy operatorów i techników, jak mają obsługiwać to urządzenie.

Operatorowi nie wolno wykonywać czynności przewidzianych dla technika. VIPER nie odpowiada za szkody powstałe w wyniku takiego postępowania.

CZĘŚCI ZAMIENNE I KONSERWACJE

Czynności obsługowe, konserwacyjne i naprawy może prowadzić tylko wykwalifikowany personel albo serwisanci VIPER.

Należy używać tylko oryginalne części zamienne i akcesoria.

Kiedy potrzebny jest serwis lub nowe części zamienne albo akcesoria, prosimy o kontakt z VIPER oraz podanie numeru modelu urządzenia i numerów seryjnych.

ZMIANY I MODERNIZACJE

VIPER stale ulepsza swoje produkty. VIPER zastrzega sobie prawo do wprowadzania zmian i ulepszeń do urządzeń, jak również prawo do samodzielnego określenia, czy korzyści wynikające ze zmian dotyczą produktów już sprzedanych. Wszelkie zmiany lub dodatkowe akcesoria wymagają zatwierdzenia oraz wykonania przez firmę Viper.

ZASTOSOWANIE

Automat szorujący nadaje się do użytku domowego i przemysłowego, służy do czyszczenia gładkich i twardych podłóg (czyszczenie szczotką i zbieranie wody odpadowej). Musi ją użytkować wykwalifikowany operator, w bezpiecznym otoczeniu. Szczotki nie wolno używać na zewnątrz budynków, a także na dywanach i chropowatych podłogach.

ODPAKOWANIE/TRANSPORT

Przy odpakowywaniu, prosimy o przestrzeganie instrukcji umieszczonych na opakowaniu.

Po dotarciu maszyny na miejsce, sprawdzić czy opakowanie lub urządzenie nie uległy uszkodzeniu w czasie transportu. W razie stwierdzenia widocznego uszkodzenia, natychmiast poinformować przewoźnika i wypełnić razem z nim formularz z listą uszkodzeń, w celu uzyskania rekompensaty.



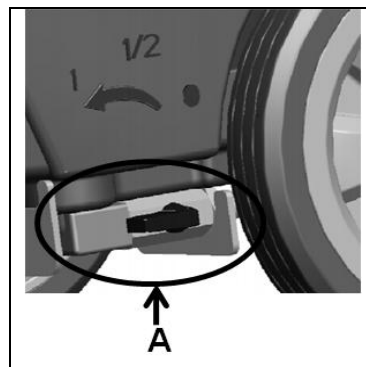
— UWAGA

Przy odpakowywaniu, rozładunku lub przenoszeniu urządzenia po schodach, uważać by nie uderzyć w regulator przepływu wody (A na rysunku po prawej).

Sprawdzić kompletność wyposażenia urządzenia:

Dokumentacja techniczna

— Instrukcja obsługi szczotki



OGÓLNE WSKAZÓWKI BEZPIECZEŃSTWA

Poniżej podano specjalne ostrzeżenia i uwagi nt. potencjalnych zagrożeń (dla personelu i urządzenia):



OSTRZEŻENIE!

- Urządzenie musi być obsługiwane zgodnie z niniejszą instrukcją. Wolno stosować tylko akcesoria zatwierdzone przez VIPER.
- Urządzenie może użytkować tylko stosownie przeszkolony i upoważniony personel. Dzieciom ani innym nieodpowiednim osobom nie wolno używać tego urządzenia.
- W przypadku pracy w pobliżu części elektrycznych, nie nosić biżuterii. Należy przedsięwziąć wszelkie środki ostrożności by włosy, biżuteria ani luźne części odzieży nie zostały pochwycone przez ruchome części urządzenia.
- Nie używać urządzenia w szczególnie brudnych miejscach. Nie myć urządzenia bezpośrednio wodą. Chronić urządzenie przed kontaktem ze żrącymi płynami.
- Temperatura magazynowania i otoczenia pracy musi mieścić się w zakresie 0 - 40°C,
- a wilgotność powietrza - w zakresie 30% do 105%.
- Nie korzystać z urządzenia na powierzchni o pochyleniu większym niż 2%.
- W przypadku pożaru, stosować gaśnice proszkowe. Nie stosować gaśnic płynowych.
- Zachować szczególną ostrożność przy transporcie urządzenia w temperaturze poniżej 0°C. Woda w zbiorniku i węzłach może zamarznąć i poważnie szkodzić urządzenie.
- Stosować szczotki i pady dostarczone z urządzeniem albo określone w instrukcji obsługi. Inne szczotki lub pady mogą obniżyć bezpieczeństwo.
- W przypadku usterki, najpierw sprawdzić czy nie jest to efekt zaniedbania konserwacji. Jeśli przyczyna jest inna, to trzeba wezwać upoważniony personel albo zawiadomić punkt serwisowy.
- Kiedy okaże się, że potrzebne są nowe części zamienne, sprowadzić oryginalne części od autoryzowanych agentów.
- Aby zapewnić bezpieczną i właściwą eksploatację urządzenia, prosimy umożliwić upoważnionemu personelowi wykonywanie planowych przeglądów, opisanych w stosownych rozdziałach instrukcji.
- Urządzenie musi być prawidłowo utylizowane, bo może zawierać toksyczne i niebezpieczne elementy, którymi muszą się zająć specjalistyczne firmy, zgodnie ze stosownymi przepisami (zob. rozdział o utylizacji).

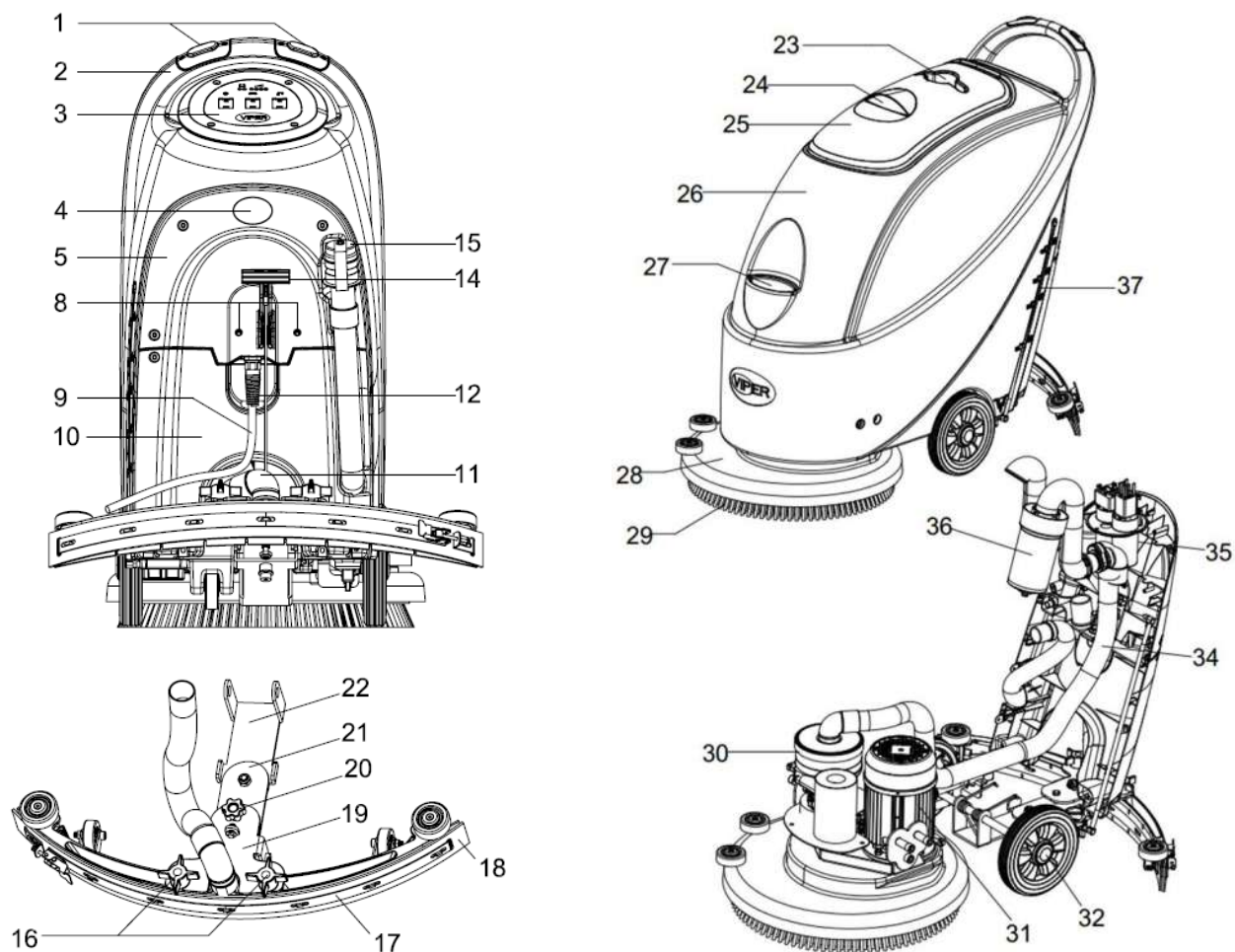
DANE TECHNICZNE

Model	AS430C	AS510C
Wysokość urządzenia	980mm	
Pojemność zbiornika na roztwór	50 litrów	
Pojemność zbiornika odzysku wody	50 litrów	
Średnica koła transportowego	200mm	
Średnica koła naprowadzającego	63.5mm	
Moc silnik odkurzacza	400W	
Maksymalne nachylenie w czasie pracy	2%(maks)	
Poziom hałasu na stanowisku pracy	72dB(A) ±3dB(A)	
Długość kabla	20m	
Wydajność zasysania	1200 mm H ₂ O	
Szerokość czyszczenia	430mm	510mm
Szerokość ściągaczki	730mm	790mm
Maksymalna długość maszyny	1 060mm	1 100mm
Szerokość maszyny bez ściągaczki	480mm	540mm
Średnica szczotki	430mm	510mm
Waga z pustymi zbiornikami	70kg	74kg
Ciężar brutto urządzenia gotowego do użycia	120kg	124kg
Moc silnika szczotki	750W	
Prędkość szczotki	150 rpm	
Maks. nacisk szczotki/uchwyty pada	Maks. 32kg	Maks. 35kg
Wielkość opakowania (dług x szer x wys)	1200 x 610 x 1 170mm	

OPIS MASZINY**BUDOWA URZĄDZENIA**

1. Wyłącznik bezpieczeństwa
2. Uchwyt operatora
3. Panel sterowania
4. Tabliczka znamionowa/dane techniczne / świadectwo zgodności
5. Osłona układu sterowania
6. Nie dotyczy
7. Nie dotyczy
8. Reset
9. Power cable
10. Pokrywa akumulatora
11. Wąż ssący
12. Ciężno ściągaczki
13. Nie dotyczy
14. Rączka podnoszenia ściągaczki
15. Wąż spustowy
16. Nakrętka mocowania ściągaczki
17. Spinacz ściągaczki
18. Guma ściągaczki
19. Wsparcia ściągaczki
20. Pokrętko regulacji ściągaczki
21. Tylne rama wsparcia ściągaczki
22. Przednia rama wsparcia ściągaczki
23. Uchwyt zbiornika odzysku wody
24. Rączka pokrywy zbiornika odzysku wody
25. Pokrywa zbiornika odzysku wody
26. Korpus zbiornika
27. Osłona dopływu wody
28. Powierzchnia szczotki
29. Szczotka/uchwyt pada
30. Silnik ssący
31. Silnik szczotki
32. Koło 8"
33. Nie dotyczy
34. Przewód odkurzacza
35. Skrzynka rozdzielcza
36. Filtr
37. Wodowskaz (pokazujący ilość wody w zbiorniku wody)

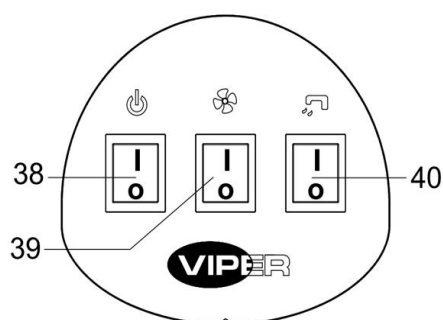
BUDOWA MASZYNY - OZNACZENIA LICZBOWE



Rys. 1

PANEL STEROWANIA (Rys.2)

- 38. Włącznik zasilania
- 39. Włącznik odkurzacza
- 40. Włącznik elektrozaworu



Rys. 2

SPOSÓB UŻYTKOWANIA



OSTRZEŻENIE

Na niektórych częściach urządzenia znajdują się naklejki wskazujące na:

- NIEBEZPIECZEŃSTWO
- OSTREŻENIE
- UWAGA
- INFORMACJA

W trakcie czytania instrukcji, operator winien zwracać szczególną uwagę na te symbole.

W żadnym wypadku nie wolno tych symboli zasłonić. Uszkodzone naklejki należy natychmiast wymienić.

PRZED URUCHOMIENIEM URZĄDZENIA

MONTAŻ I ZDEJMOWANIE SZCZOTKI / UCHWYTU PŁYTY



INFORMACJA

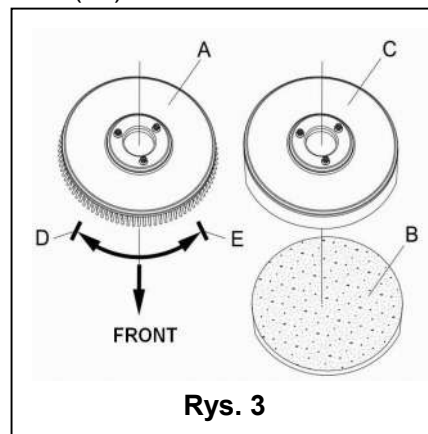
Zależnie od rodzaju podłogi, jaka ma być czyszczona, do urządzenia montuje się szczotkę (Rys. 3, A) albo uchwyt pada (Rys. 3, B i C).



OSTROŻNIE !

W trakcie ręcznego zakładania lub zdejmowania szczotki/uchwytu pada, najpierw sprawdzić czy wszystkie przełączniki są wyłączone, unieść ściągaczkę nad podłogą i dopiero wtedy wykonać czynności ze szczotką albo uchwytem pada. Dodatkowo, należy się zabezpieczyć przed ranami ciętymi za pomocą rękawic ochronnych.

1. (dotyczy tylko **AS430C** i **AS510C**): Sprawdzić czy, kabel zasilania (9) został rozłączony od źródła zasilania oraz czy włącznik zasilania (38) jest wyłączony (**O**).
2. Nacisnąć uchwyt operatora (2) w celu uniesienia korpusu zbiornika (26).
3. Umieścić szczotkę (A) albo uchwyt płyty (B-C) pod obudową.
4. Użyć uchwytu operatora (2) do obniżenia korpusu zbiornika (26), aby zetknął się ze szczotką lub uchwytem pada.
5. Następnie zamontować szczotkę/uchwyt pada automatycznie, obracając włącznik zasilania (38) na pozycję "I" i naciskając wyłącznik bezpieczeństwa (1). Delikatnie popchnąć urządzenie do przodu, tak by koło pasowe na dole zbiornika wyrównało się ze szczotką lub uchwytem pada, które wtedy można założyć, po czym zwolnić wyłącznik bezpieczeństwa. W razie potrzeby, procedurę powtarzać aż do założenia szczotki/uchwytu pada.
6. Jeśli krok 5 okaże się zbyt trudny, to założyć szczotkę/uchwyt pada ręcznie, zgodnie ze wskazaniem strzałki (D) (zob. **Rys. 3**).
7. Aby zdjąć szczotkę/uchwyt pada automatycznie, trzeba obrócić włącznik zasilania (38) na pozycję "O". Ręką przytrzymać uchwyt operatora i docisnąć urządzenie do podłogi - aż koło naprowadzające dotknie podłogi a szczotka/uchwyt pada zawisnie w powietrzu. Następnie obrócić włącznik zasilania (38) na pozycję "I" i nacisnąć wyłącznik bezpieczeństwa tak, by szczotka/uchwyt opadła na podłogę.
8. Jeśli krok 7 okaże się zbyt trudny, to wykonać go ręcznie, obracając szczotkę/uchwyt pada w kierunku przeciwnym do normalnego kierunku obrotów, a wtedy będzie je można zdjąć (jak na **Rys. 3**).

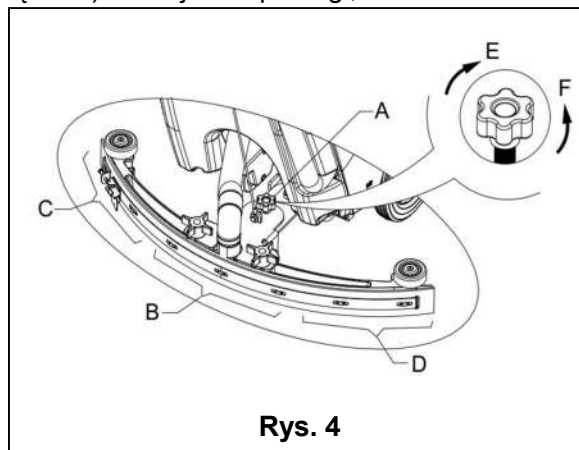


Rys. 3

POZIOMOWANIE ŚCIĄGACZKI

9. Założyć ściągaczkę i mocno ją dokręcić rączką (16). Następnie podłączyć wąż ssący (11) do ściągaczki.
10. Ustawić ściągaczkę przy pomocy śruby (A) ściągaczki (zob. **Rys. 4**).

- 1) Jeśli środkowa część tylnej gumyssawy (część B) odstaje od podłogi, albo słabo na nią naciska, to regulować rączką w kierunku przeciwnym do ruchu wskazówek zegara aż cała tylna część będzie dobrze dociskać do podłogi. Przednia część ssawy powinna lekko dotykać podłogi.
- 2) Jeśli obydwa końce tylnej gumyssawy (część C i D) odstają od podłogi, albo słabo na nią naciskają, to regulować rączką w kierunku zgodnym z ruchem wskazówek zegara aż cała tylna część będzie dobrze dociskać do podłogi. Przednia część ssawy powinna lekko dotykać podłogi.



Rys. 4

Napełnianie zbiornika na roztwór



OSTROŻNIE !

Stosować można tylko detergenty niskopieniące, niezapalne. Muszą to być detergenty do stosowania ze szczotkami.

11. Otworzyć osłonę wlotu wody (27) i wlać wodę do zbiornika na roztwór. Nie przepelniać zbiornika. Napełnić prawie do krawędzi uchwytu filtra wlotu wody. Przy sporządzaniu roztworu do mycia, trzeba się kierować zaleceniami producenta środków chemicznych, a temperatura wody nie może przekraczać 40°C.

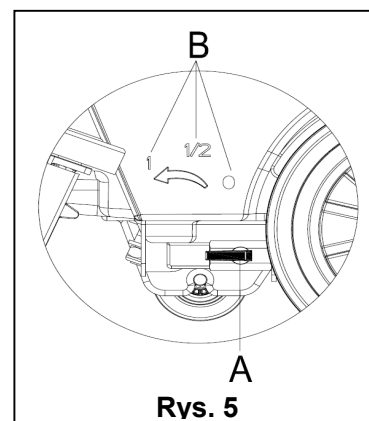
REGULACJA PRZEPŁYWU WODY



OSTRZEŻENIE!

Regulacja zaworu kulowego (A, Rys. 5) musi się odbywać przy włączniku zasilania (38) w pozycji "O".

12. Intensywność przepływu wody regulować rączką zaworu kulowego (A, Rys. 5) stosownie do ilości wody potrzebnej do pracy szczotki.



Rys. 5

URUCHAMIANIE I ZATRZYMYWANIE URZĄDZENIA

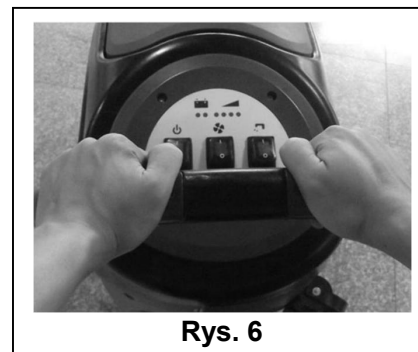
Uruchamianie urządzenia

1. Wykonać kroki przygotowawcze jw.
2. Podłączyć kabel (9) do źródła zasilania o odpowiednich parametrach i nacisnąć włącznik zasilania (38) do pozycji "I".
3. Obniżyć ściągaczkę przy pomocy jej rączki (14).
4. Nacisnąć włącznik odkurzacza (39) do położenia "I".
5. Nacisnąć przełącznik kontroli przepływu wody (40) do położenia "I". (razem z wyłącznikiem bezpieczeństwa (1) kontroluje działanie elektrozaworu).
6. Przytrzymać wyłącznik bezpieczeństwa (1) i ruszyć urządzeniem. Szczotka (29) zacznie się obracać i urządzenie rozpocznie czyszczenie.



INFORMACJA: Jak ruszyć urządzeniem
Urządzenie posiada dwa wyłączniki bezpieczeństwa, po obydwu stronach uchwytu operatora. Każdy z nich niezależnie kontroluje pracę szczotki. Pomagają sterować pracą urządzenia.

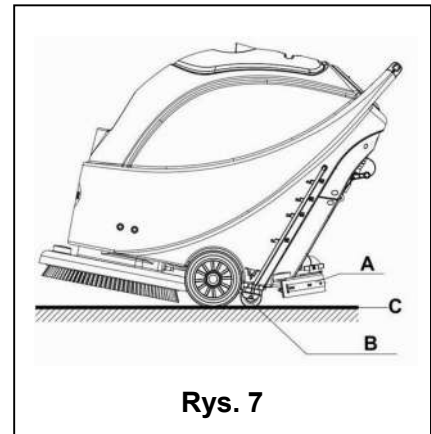
Jak pokazuje doświadczenie, prowadzenie urządzenia jak na Rys. 6, jest wygodne dla rąk i zmniejsza zmęczenie operatora. Dlatego zalecamy właśnie taką metodę.



Rys. 6

Wyłączanie urządzenia

7. Na koniec pracy z urządzeniem, najpierw zdjąć szczotkę/uchwyt pada (zob. kroki w rozdziale o zakładaniu i zdejmowaniu szczotka/uchwyty pada)
8. Zwolnić wyłącznik bezpieczeństwa (1), aby wyłączyć szczotkę/uchwyt pada i elektrozawór.
9. Nacisnąć włącznik silnika ssącego (39) do położenia "O" i po 5 sekundowej zwłoce silnik zatrzyma się.
10. Nacisnąć przełącznik kontroli przepływu wody (40) do położenia "O", aby zupełnie zakończyć działanie elektrozaworu.
11. Nacisnąć włącznik zasilania (38) do położenia "O". Odłączyć kabel (9) od źródła zasilania.
12. Unieść ściągaczkę przy pomocy jej rączki (14).
13. Chwycić uchwyt operatora (2) i delikatnie przechylić urządzenie do tyłu aż koło naprowadzające (B) dotknie podłogi. Zob. **Rys. 7**

**Rys. 7****EKSPLOATACJA URZĄDZENIA (SZCZOTKOWANIE I SUSZENIE)**

1. Uruchomić urządzenie zgodnie z instrukcjami jw.
2. Przytrzymać wyłącznik bezpieczeństwa (1) (jak na **Rys.6**), ruszyć urządzeniem i rozpocząć czyszczenie.
3. Jeśli trzeba, wyłączyć urządzenie i wyregulować śrubą ssawę. (zob. kroki poziomowania ssawy)
4. Jeśli trzeba, wyłączyć urządzenie i wyregulować przepływ wody rączką zaworu kulowego. (zob. kroki regulacji przepływu wody)

**OSTROŻNIE !**

Aby nie uszkodzić powierzchni podłogi, kiedy urządzenie zatrzymuje się w jednym miejscu, prosimy wyłączyć włącznik zasilania (38).

OPRÓŻNIANIE ZBIORNIKA

Kiedy zbiornik odzysku wody będzie pełny, pływak w separatorze (36) zablokuje wlot do silnika ssącego. Nagła, głośniejsza praca silnika ssącego świadczy o jej przeciążeniu oraz o potrzebie natychmiastowego spuszczenia wody odpadowej.

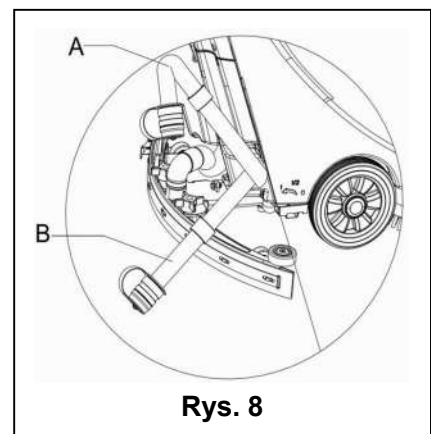
**OSTROŻNIE !**

W przypadku nagłego wyłączenia pompy odkurzacza (np. w wyniku gwałtownego ruchu urządzenia po zadziałaniu separatora), kiedy trzeba wznowić pracę, prosimy wykonać następujące kroki: nacisnąć włącznik zasilania (38 i 39) w celu rozłączenia zasilania i silnika ssącego, otworzyć pokrywę zbiornika odzysku wody (25) i sprawdzić czy separator w filtrze powrócił na powierzchnię wody. Wtedy zamknąć pokrywę zbiornika odzysku wody (25) i nacisnąć włącznik zasilania (38 i 39) w celu przywrócenia zasilania oraz pracy silnika ssącego.

Kiedy zbiornik odzysku wody będzie pełny wody odpadowej, postępować następująco:

Opróżnianie zbiornika odzysku wody

1. Wyłączyć urządzenie.
2. Unieść ściągaczkę przy pomocy jej rączki (14).
3. Przesunąć urządzenie do miejsca opróżniania z odpadów.
4. Chwycić uchwyt operatora (2) i delikatnie przechylić urządzenie do tyłu, aż koło naprowadzające dotknie podłogi. (zob. więcej informacji w procedurach zatrzymywania urządzenia).
5. Wyjąć wąż spustowy z zacisku, zagiąć górny koniec węża (jak **A**, **Rys. 8**) i otworzyć kłapkę węża, obniżyć prawie/ do podłogi w celu spuszczenia wody. Albo od razu obniżyć wąż nisko/ do podłogi, wylotem skierowanym w dół (jak **B**, **Rys. 8**) i wtedy otworzyć kłapkę węża. Na koniec przepłukać zbiornik odzysku wody czystą wodą.

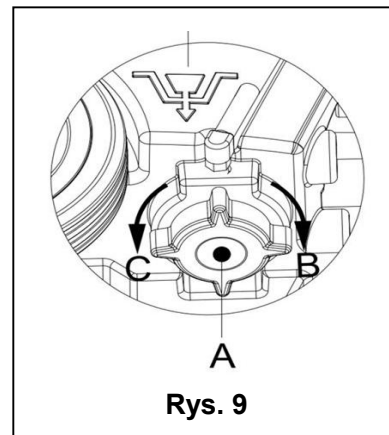
**Rys. 8**

**OSTROŻNIE !**

Przy spuszczeniu wody odpadowej węzem z odkurzacza, trzeba go zagiąć albo bardziej obniżyć (jak A lub B, Rys. 8), po czym otworzyć kłapkę węża i opróżnić go z wody odpadowej. Nie kierować wylotu węża do góry. Pozwala to uniknąć pochłapania operatora.

Opróżnianie zbiornika na roztwór

6. Wykonać kroki 1 do 4.
7. Zgodnie z **Rys. 9**, otworzyć pokrywę zbiornika na roztwór (A), w kierunku ruchu wskazówek zegara - C i całkowicie opróżnić zbiornik. Przepłukać zbiornik czystą wodą. Po wykonaniu zadania, mocno dokręcić pokrywę zbiornika (A), zgodnie z ruchem wskazówek zegara – w kierunku B.

**Rys. 9****NA ZAKOŃCZENIE PRACY Z URZĄDZENIEM**

Na koniec pracy, przed pozostawieniem urządzenia, wykonać co następuje:

1. Zgodnie z procedurą opisaną wcześniej, o zakładaniu i zdejmowaniu szczotki/uchwyty pada – zdjęć szczotkę/uchwyty pada.
2. Zgodnie ze stosowną procedurą, całkowicie opróżnić zbiornik na roztwór i do odzysku wody.
3. Wypełnić procedury obsługi codziennej (zob. informacje w rozdziale o konserwacji).
4. Urządzenie przechowywać w czystym i suchym miejscu, razem ze szczotką/uchwytem pada i ściągaczką. Ściągaczka winna być uniesiona lub zdjęta.

PIERWSZE UŻYCIE

Po pierwszych 9 godzinach użycia, prosimy sprawdzić wszystkie części - czy się nie obluzowały lub uległy uszkodzeniu oraz czy nie ma jakiś widocznych nieszczelności.

KONSERWACJA I PIELĘGNACJA

Prawidłowo prowadzona i systematyczna konserwacja oraz pielęgnacja zapewnia długotrwałe użytkowanie maszyny oraz maksymalne bezpieczeństwo użytkownika.

W tabeli poniżej przedstawiono ogólny harmonogram konserwacji. Okresy między konserwacjami w znacznej mierze zależą od warunków eksploatacyjnych urządzenia. Za ich ustalenie odpowiada personel techniczny.

**OSTRZEŻENIE!**

Wspomniane procedury można przeprowadzać dopiero po rozłączeniu urządzenia od zasilania. Przed przystąpieniem do jakiegokolwiek konserwacji, należy zapoznać się ze stosownymi rozdziałami, dotyczącymi bezpieczeństwa.

Planowane przeglądy oraz naprawy może prowadzić tylko wykwalifikowany personel albo serwisanci z autoryzowanego punktu serwisowego.

W niniejszym podręczniku opisano tylko najłatwiejsze i najczęściej przeprowadzane czynności konserwacyjne.

Zob. inne konserwacje w tabeli pt. Harmonogram konserwacji oraz w instrukcji serwisowej.

HARMONOGRAM PRZEGLĄDÓW

Procedura	Codziennie po użyciu	Co tydzień	Co 6 miesięcy	Co rok
Czyszczenie ściągaczki				
Czyszczenie szczotki/uchwyty pada				
Czyszczenie zbiornika wody i filtra z separatorem; inspekcja listew uszczelniających zbiornika na wodę.				
Kontrola i wymiana gum ssawy				
Czyszczenie filtra roztworu myjącego				
Czyszczenie filtra silnika odkurzacza				
Kontrola szczelności nakrętek i śrub			(1)	
Kontrola lub wymiana szczotki węglowej silnika szczotki/uchwyty pada				(2)
Kontrola lub wymiana szczotka węglowej silnika odkurzacza				(2)

(1) Powinno się to odbyć po 9 godzinach od rozpoczęcia pracy urządzenia.

(2) Te konserwacje może prowadzić tylko personel z autoryzowanego punktu serwisowego VIPER.

CZYSZCZENIE SSAWY



INFORMACJA

Warunkiem utrzymania optymalnej skuteczności odsysania jest utrzymanie czystej ssawy oraz gum ssawy w dobrym stanie.



OSTROŻNIE !

Zaleca się noszenie rękawic ochronnych do czyszczenia ssawy, ponieważ resztki mogą mieć ostre krawędzie.

- Przesunąć urządzenie na płaską i gładką powierzchnię.
- Nacisnąć włącznik zasilania (38) do położenia "O" aby wyłączyć urządzenie.
- Odkręcić nakrętkę mocowania ssawy(16), wyjąć łącznik łączący przewód odkurzacza do odpadów, a następnie zdjąć ściągaczkę.
- Unieść ramę wsparcia ściągaczki przy pomocy rączki (14).
- Wyczyścić ssawę (**Rys. 10**), a szczególnie rowek (**A, Rys. 10**) oraz kurz i resztki z węża ssącego. Sprawdzić czy przednie pióro ssawy (C) oraz tylne pióro (D) są nieuszkodzone, pozbawione wyszczerbień lub pęknięć. W razie konieczności wymienić (zob. kroki w następnym rozdziale).
- Zamontować ściągaczkę w odwrotnej kolejności.

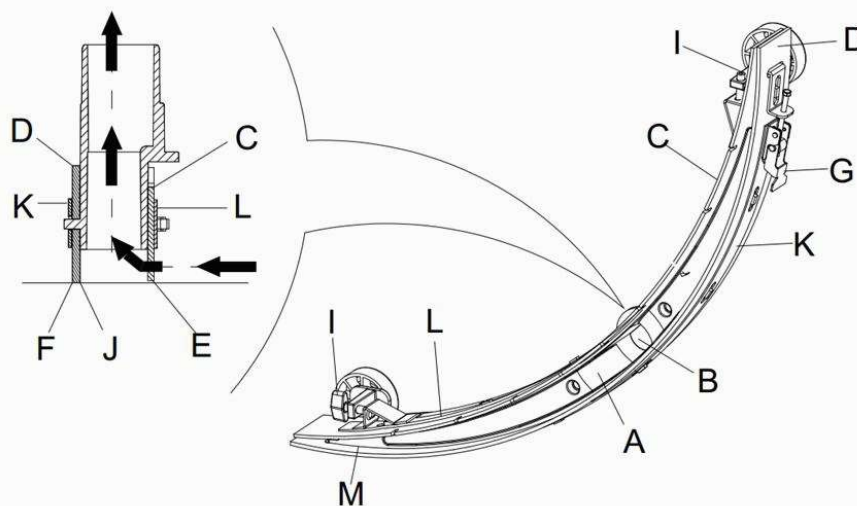
KONTROLA I WYMIANA GUMYSSAWY

- Wyczyścić ssawy (**Rys. 10**) metodami podanymi wyżej.
- Skontrolować krawędź (**E, rys. 10**) przedniego pióra ściągaczki oraz krawędź (F) tylnego pióra ściągaczki (D). Powinny być na całej długości na tym samym poziomie. Jeśli tak nie jest, wyregulować zgodnie z opisem poniżej
 - Poluzować zacisk (G) tak, by tylne pióro ściągaczki (D) oddzieliło od uchwyty (M) i by można wyregulować położenie ściągaczki. Na koniec z powrotem zamknąć zacisk.
 - Poluzować śrubę na rączce (I) i wyregulować przednie pióro (C); następnie śrubę z powrotem dokręcić.
- Sprawdzić czy przednie (C) oraz tylne pióro ściągaczki (D) są nieuszkodzone, pozbawione wyszczerbień lub pęknięć. Ewentualnie je wymienić według poniższej procedury. Sprawdzić czy krawędź tylnego pióra ściągaczki (J) nie jest zużyta. Jeśli jest, to można je odwrócić (o ile górna krawędź jest nieuszkodzona). Jeśli górna krawędź jest również zużyta, to pióro wymienić w następujący sposób:
 - Poluzować zacisk (G) tak, by guma ssawy oddzieliła od uchwyty (M), zdjąć listwę zaciskającą (K), a następnie odwrócić lub wymienić tylną gumę ssawy (D). Zamontować tylną gumę ściągaczki w odwrotnej kolejności.
 - Poluzować śrubę na rączce (I) i zdjąć przednią listwę zaciskającą (L), po czym wymienić przednie gumę ssawy (C).

Zamontować z powrotem przednią gumę ssawy w odwrotnej kolejności.

Po wymianie (lub odwróceniu) pióra, wyregulować przednie i tylne pióro według procedur opisanych wcześniej.

4. Podłączyć wąż ssący (11) do ssawy.
5. Założyć ssawy i zamocować ją przy pomocy gałki mocowania ssawy (16), następnie przyłączyć wąż odkurzacza do ssawy.
6. W razie konieczności, ustawić ssawę przy pomocy śruby (20) (zob. procedury regulacji ssawy).



Rys. 10

CZYSZCZENIE SZCZOTKI/TRZYMAKA PAD



OSTROŻNIE !

Zaleca się noszenie rękawic ochronnych do czyszczenia szczotki/uchwyty pada, ponieważ resztki mogą mieć ostre krawędzie.

1. Zdjąć szczotkę/uchwyt pada według poprzednich opisów.
2. Umyć je wodą z detergentami.
3. Sprawdzić kompletność i stan zużycia włosa szczotki i w razie konieczności szczotkę wymienić.
4. Sprawdzić stan zużycia uchwytu pada i w razie konieczności wymienić.

CZYSZCZENIE ZBIORNIKA WODY I KRATKI FILTRA

1. Przesunąć urządzenie do miejsca opróżniania z odpadów.
2. Nacisnąć włącznik zasilania (38) do położenia "O", aby wyłączyć urządzenie.
3. Otworzyć pokrywę zbiornika na roztwór (A, Rys. 11), wyjąć filtr (36) ze zbiornika odzysku wody.
4. Czystą wodą umyć pokrywę zbiornika na roztwór (A) i sam zbiornik (B, C) oraz ramkę filtra (E). Opróżnić zbiornik przez przewód (15).
5. W razie konieczności, kierując się symbolami "otwórz" i "zamknij" pokazanymi na rysunku 11, otworzyć dolną osłonkę (F) filtra i wyczyścić separator (D), ramkę (E) i gąbkę filtra (I). Po zakończeniu czyszczenia, zamontować separator na ramce (E) i wyrównać rowek (L) dolnej osłonki filtra z rowkiem ramki filtra (E). Mocno dokręcić dolną osłonkę (F) filtra i zamocować gąbkę filtra (I) na ramce (E) oraz na przewodzie odkurzacza.
6. Skontrolować stan uszczelki (G) pokrywy zbiornika na czystą wodę.

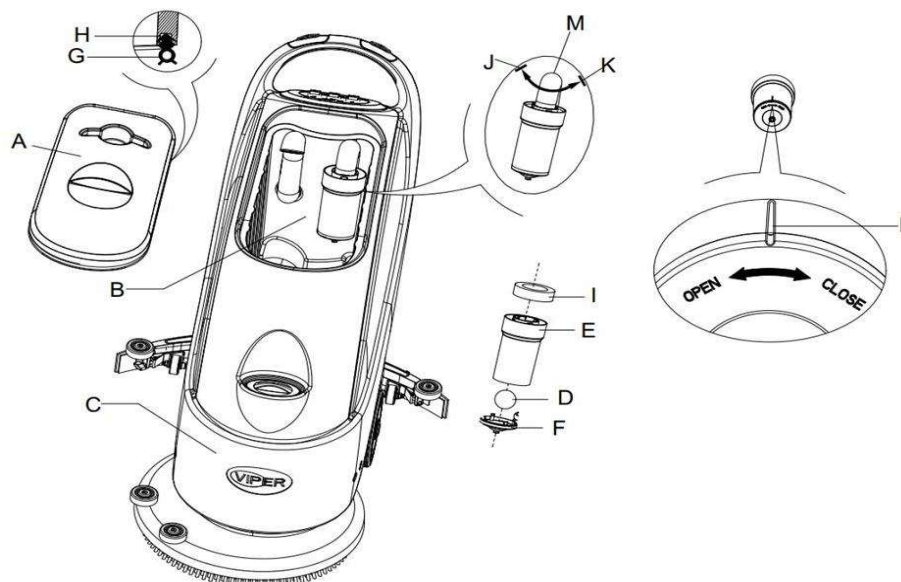


INFORMACJA

To dzięki uszczelce (G), może powstawać podciśnienie w zbiorniku wody. Zbiornik musi być doskonale szczelny, żeby efektywnie zasysać wodę odpadową z podłogi.

Jeśli trzeba, uszczelkę (G) w zbiorniku wody można wyjąć z rowka (H) i wymienić. Przy zakładaniu nowej uszczelki, jak na Rys. 11 poniżej, montuje się łącznik do środka tylnej części.

7. Skontrolować czy powierzchnia, do której ma przylegać uszczelka (G), jest nieuszkodzona.
8. Zamknąć pokrywę zbiornika odzysku wody (A).



Rys. 11

CZYSZCZENIE FILTRA ROZTWORU MYJĄCEGO

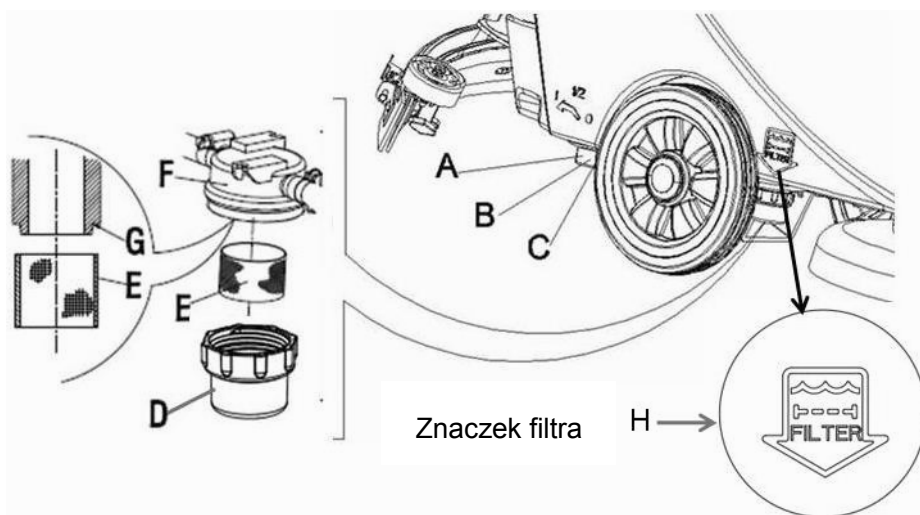
1. Usunąć całą wodę ze zbiornika na roztwór w sposób opisany w poprzednich rozdziałach.
2. Przesunąć urządzenie na płaską i gładką powierzchnię.
3. Nacisnąć włącznik zasilania (38) do położenia "O", aby wyłączyć urządzenie.
4. Zamknąć zawór kulowy spustowy (A, Rys. 12) (na dole urządzenia, za kołami). Ustawić zawór kulowy B w pozycji otwartej, a zawór kulowy C – w zamkniętej.
5. Zdjąć przezroczystą pokrywę (D) i wyjąć filtr (E), a po czyszczeniu zamontować je w skrzynce filtra (F).



INFORMACJA

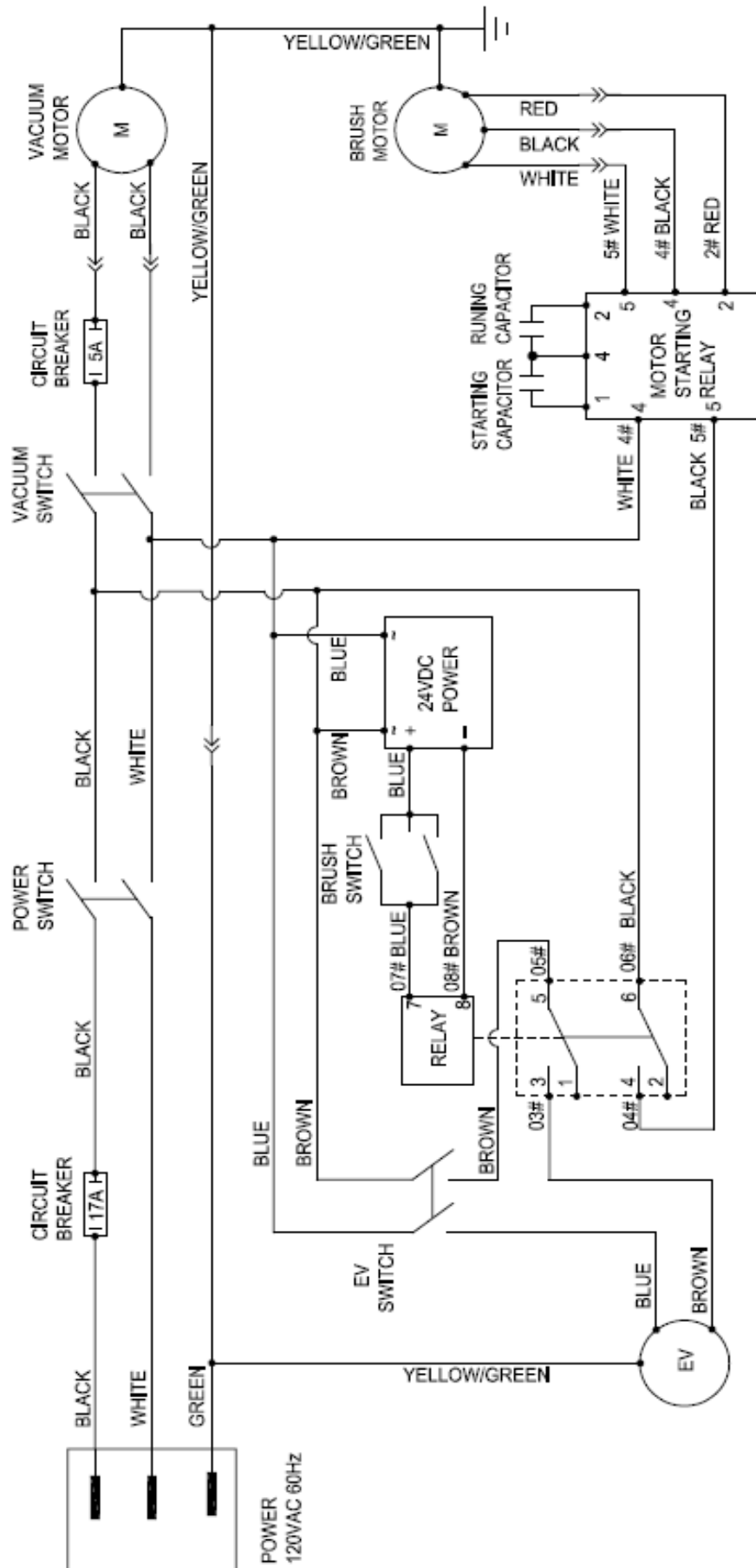
Filtr (E) trzeba precyzyjnie zamontować na gnieździe w obudowie (G).

6. Otworzyć zawór kulowy (A).



Rys. 12

SCHEMAT OBWODU DLA AS430C I AS510C



USUWANIE USTEREK

Usterka	Możliwa przyczyna	Środek zaradczy
Urządzenie nie działa	Przewody nieprawidłowo połączone albo uszkodzone.	Sprawdzić przewody lub skontaktuj się z dystrybutorem Viper
	Uszkodzony silnik szczotki	Skontaktować się z dystrybutorem Viper
	Zużyte szczotki węglowe	Skontaktować się z dystrybutorem Viper
Nie działa silnik odkurzacza	Przewody nieprawidłowo połączone albo uszkodzone.	Sprawdzić przewody lub skontaktować się z dystrybutorem Viper
	Uszkodzony silnik odkurzacza	Skontaktować się z dystrybutorem Viper
	Zużyte szczotki węglowe	Skontaktować się z dystrybutorem Viper
Niewystarczający lub brak przepływu roztworu myjącego	Uszkodzony zawór kulowy	Skontaktuj się z dystrybutorem Viper
	Uszkodzony zawór roztworu myjącego	Skontaktować się z dystrybutorem Viper
	Położenie zaworu kulowego wymaga regulacji	Przy poziomym położeniu zaworu kulowego, przepływ roztworu myjącego jest maksymalny
	Filtr zanieczyszczony.	Wyczyścić filtr
Niewystarczające zasysanie	Zbiornik wody odpadowej jest pełny.	Opróżnić zbiornik
	Przewód odkurzacza do odpadów i ściągaczka nieprawidłowo połączone	Połączyć przewód odkurzacza ze ściągaczką
	Zaczopowany filtr z separatorem albo wlot	Wyczyścić filtr, sprawdzić kulkę
	Pióra ściągaczki brudne, zużyte lub uszkodzone	Oczyścić i sprawdzić ściągaczkę
	Pokrywa zbiornika odzysku wody nieprawidłowo dokręcona albo listwa uszczelniająca zbiornika wody uszkodzona.	Dokręcić pokrywę zbiornika odzysku wody lub wymienić listwę uszczelniającą zbiornika wody.
Ściągaczka zostawia ślady	Pod piórami ściągaczki są śmieci.	Usunąć śmieci
	Pióro ściągaczki zużyte, popękane lub pokruszone	Wymienić pióro ściągaczki
	Ściągaczka niewypoziomowana	Wypoziomować

UTYLIZACJA URZADZENIA

Do zniszczenia urządzenia służy gniotownik.

Przed zniszczeniem prosimy wyjąć i składować materiały, które nadają się do segregacyjnego składowania albo wymagają innego przetworzenia, zgodnie ze stosownymi przepisami.

- Szczotka/uchwyt pada
- Przewody i elementy z tworzyw sztucznych
- Elementy elektryczne i elektroniczne (*)

(*): Prosimy o kontakt z najbliższym centrum VIPER (szczególnie w przypadku złomowania elementów elektrycznych i elektronicznych).

TARTALOMJEGYZÉK

BEVEZETÉS	160
KÉZIKÖNYV TARTALMA	160
CÉL.....	160
ALKATRÉSZEK ÉS KARBANTARTÁS	160
MÓDOSÍTÁSOK ÉS JAVÍTÁSOK.....	160
ALKALMAZÁSI JOGKÖR.....	160
KICSOMAGOLÁS/SZÁLLÍTÁS	160
ÁLTALÁNOS BIZTONSÁGI ÚTMUTATÓ	161
MŰSZAKI ADATOK	162
BERENDEZÉS LEÍRÁSA	162
BERENDEZÉS FELÉPÍTÉSE	162
KEZELŐPANEL.....	163
HASZNÁLATI ÚTMUTATÓ	164
A KÉSZÜLÉK BEKAPCSOLÁSA ELŐTT	164
A KEFE-/PADTARTÓ BESZERELÉSE ÉS LEVÉTELE	164
A FELSZÍVÓ FEJFELSZERELÉSE	164
AZ ÁTFOLYÓ VÍZMENNYISÉG SZABÁLYOZÁSA	165
BERENDEZÉS INDÍTÁSA ÉS LEÁLLÍTÁSA	165
A BERENDEZÉS MŰKÖDTETÉSE (SÚROLÁS ÉS FELSZÍVÁS).....	166
TARTÁLY ÜRÍTÉSE	166
A BERENDEZÉS HASZNÁLATA UTÁN.....	167
ELSŐ HASZNÁLAT	167
KARBANTARTÁS ÉS ÁPOLÁS	167
ÜTEMEZETT KARBANTARTÁSI TÁBLÁZAT	168
FELSZÍVÓ FEJ TISZTÍTÁSA	168
GUMITÖRLŐ PENGE ELLENŐRZÉSE ÉS CSERÉJE.....	168
KEFE/PADTARTÓ TISZTÍTÁSA.....	169
VÍZTARTÁLY ÉS ÚSZÓ SZŰRŐRÁCS TISZTÍTÁSA	169
TISZTAVÍZSZŰRŐ TISZTÍTÁSA.....	170
AZ AS430C ÉS AS510C BEKÖTÉSI ÁBRÁJA	171
HIBAEHÁRÍTÁS	172
A BERENDEZÉS MEGSEMMISÍTÉSE	172

BEVEZETÉS



MEGJEGYZÉS

A zárójelben lévő számok a Berendezés-leírás részben látható alkatrészekre vonatkoznak.

KÉZIKÖNYV TARTALMA

Ez a kézikönyv a berendezés helyes és biztonságos használatához szükséges tudnivalókkal ismerteti a felhasználót. Az információk magukban foglalják a műszaki adatokat, biztonságot, működtetést, tárolást, karbantartást és a berendezés megsemmisítését. A felhasználóknak és megfelelő szakképesítésű műszaki szakembereknek a berendezés használata és karbantartása előtt figyelmesen el kell olvasniuk ezt a kézikönyvet. Amennyiben magyarázatra vagy további információkra van szüksége, vegye fel a kapcsolatot a VIPER-rel.

CÉL

A jelen kézikönyv célja segíteni a felhasználóknak és szakképzett műszaki szakembereknek a berendezés karbantartását.

A felhasználó nem végezheti el a csak a műszaki szakemberek által engedélyezett műveleteket. A VIPER nem vonható felelősségre az ezen szabály megszegéséért.

ALKATRÉSZEK ÉS KARBANTARTÁS

Minden szükséges működtetési, karbantartási és javítási folyamatot csak szakképzett személyek vagy a VIPER szervizközpontjai végezhetik el.

Csak jóváhagyott alkatrészeket és tartozékokat használjon.

Amennyiben szerviz és alkatrész- vagy tartozékrendelés szükséges, vegye fel a kapcsolatot a VIPER-rel és adja meg a berendezés modellszámát és sorozatszámát.

MÓDOSÍTÁSOK ÉS JAVÍTÁSOK

A VIPER igyekszik folyamatosan javítani a termékeit. A VIPER fenntartja magának a jogot a berendezések módosítására és javítására, valamint annak eldöntésére, hogy a változtatások általi előnyök alkalmazhatók-e a már értékesített termékeknél is. Minden változtatást vagy extra tartozékot a VIPER-nek kell jóváhagynia, és a vállalatnak kell elvégeznie.

ALKALMAZÁSI JOGKÖR

Ez a tisztítógép otthoni és ipari környezetben használható, és alkalmas a sima és kemény padlók tisztítására (súrolás és vízfőlösleg-begyűjtés). Csak szakképzett felhasználók által és biztonságos környezetben használható. A tisztítógép nem használható kültéri tisztításra, kárpitok tisztítására és viszonylag rücskös padlókon.

KICSOMAGOLÁS/SZÁLLÍTÁS

Kicsomagoláskor ügyeljen a csomagoláson található utasításokra.

Kézbesítéskor ellenőrizze a csomagolást és a berendezést, hogy a szállítás során nem sérült-e meg. Látható sérülés esetén tartsa meg az eredeti úrlapot, és kérje meg a szállítót, hogy erősítse meg és töltsse ki a sérülések listáját kompenzáció végett.



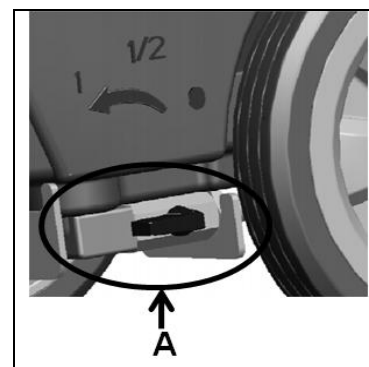
— FIGYELEM

A berendezés kicsomagolásakor, lehelyezésekor vagy lépcsőkön való hordozásakor figyeljen, nehogy beüsse a vízfolyás-szabályozó ki/be kapcsolót ("A" rész a jobb oldali ábrán).

Ellenőrizze, hogy a berendezéssel szállították-e a következő elemeket:

Műszaki dokumentáció

— Tisztítógép felhasználói kézikönyv



ÁLTALÁNOS BIZTONSÁGI ÚTMUTATÓ

Lentebb speciális figyelmeztetéseket és megjegyzéseket olvashat a potenciális sérülésekről (személyi és berendezés egyaránt):



FIGYELMEZTETÉS!

- A berendezés csak a jelen kézikönyvben leírtak szerint üzemeltethető. Csak a VIPER által hitelesített tartozékokat használjon.
- Ezt a berendezést csak megfelelően tájékoztatott vagy szakképzett személy használhatja. Gyermekek vagy hozzá nem értő személyek nem használhatják a berendezést.
- Amikor elektromos alkatrészek közelében dolgozik, ne viseljen semmilyen ékszert. Tartson be minden óvintézkedést, hogy a haja, ékszerei és laza ruházata ne akadjon bele a berendezés mozgó részeibe.
- Kérjük, ne használja a berendezés különösen szennyezett helyeken. A berendezést ne mossa közvetlenül vízzel. Ne hagyja, hogy a berendezés érintkezzen korrozív folyadékokkal.
- A készülék megengedett tárolási és használati hőmérséklet-tartománya 0 és 40°C közötti.
- A levegő páratartalmának 30 és 105% közöttinek kell lennie.
- Ne használja a berendezést 2%-osnál nagyobb lejtőn.
- Tűz esetén száraz poroltót használjon. Ne használjon folyékony poroltókat.
- Különös óvatossággal kell eljárni, amikor a berendezést 0°C alatti hőmérsékletnél szállítja. A víztartály és a tömlőkben lévő víz megfagyhat és súlyosan károsíthatja a berendezést.
- A berendezéssel szállított és a Felhasználói kézikönyvben meghatározott keféket és párnákat használja. Más kefék vagy párnák használata csökkentheti a biztonságot.
- A berendezés hibás működése esetén ellenőrizze, hogy ezt nem az elhanyagolt karbantartás okozza-e. Ha ezt más körülmények okozzák, kérje a hivatalos szakember vagy szervizközpont segítségét.
- Amennyiben bebizonyosodik, hogy az alkatrészeket ki kell cserélni, biztosítson eredeti alkatrészeket hivatalos forgalmazóktól vagy ügynököktől.
- A berendezés biztonságos és pontos működése érdekében hagyja, hogy a hivatalos szakember vagy szervizközpont elvégezze az ütemezett karbantartást a kézikönyv vonatkozó részében található karbantartási táblázatnak megfelelően.
- A berendezést az előírásoknak eleget téve kell megsemmisíteni, mivel mérgező vagy káros anyagokat bocsáthat ki, és ezeket speciális központokban kell leadni a vonatkozó törvényeknek és rendeleteknek megfelelően (kérjük, hivatkozzon a készülék megsemmisítése részre).

MŰSZAKI ADATOK

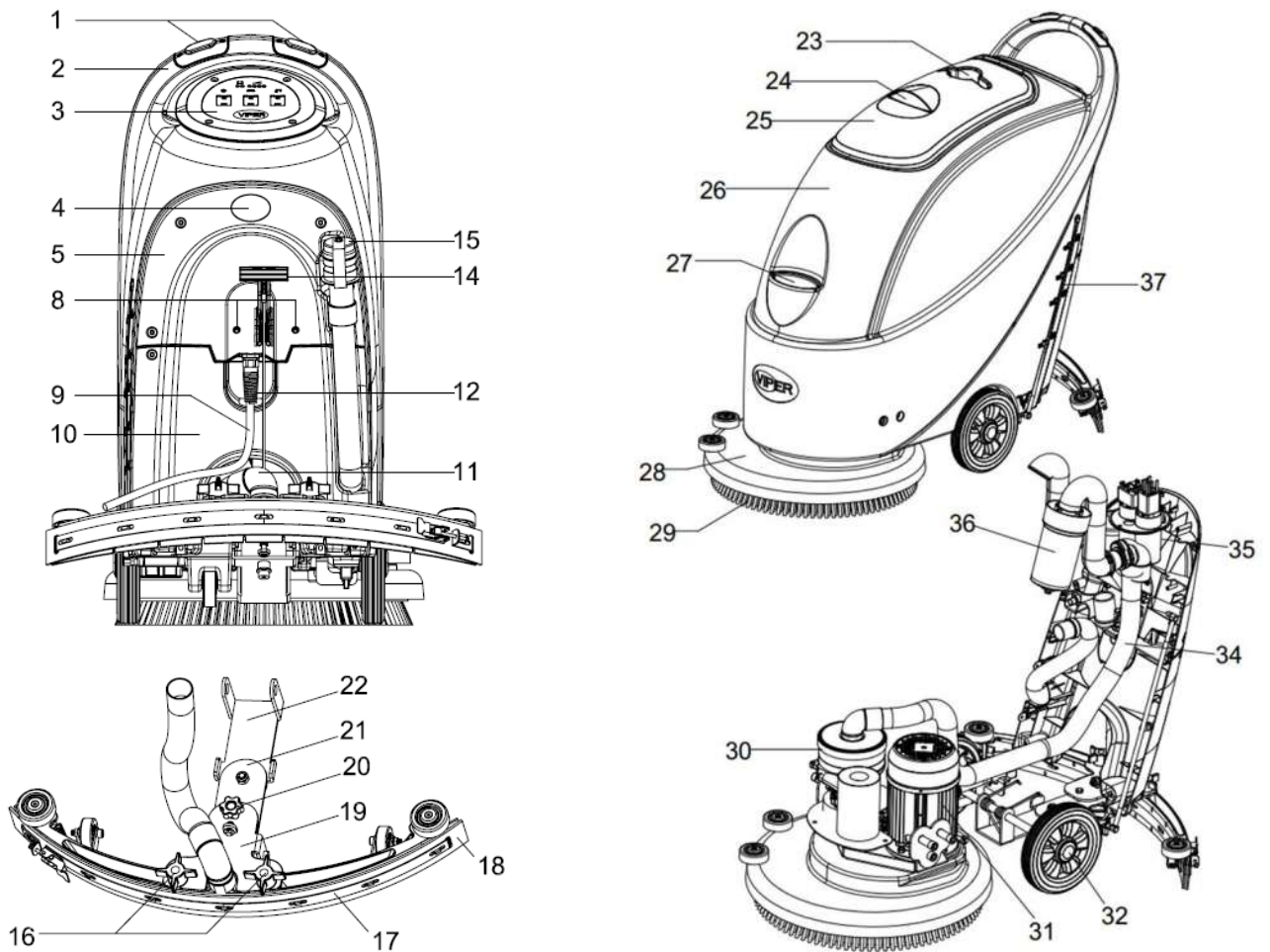
Modell	AS430C	AS510C
Berendezés magassága	980 mm	
Tisztavíz tartály kapacitás	50 liter	
Piszkosvíz tartály kapacitás	50 liter	
Kerékátmérő	200 mm	
Segédkerék átmérő	63,5 mm	
Vákuumrendszer motor teljesítménye	400 W	
Maximális lejtő munka közben	2% (max.)	
Zajszint a munkaállomáson	72 dB (A) ±3 dB (A)	
Kábelhossz	20 m	
Vákuumrendszer kapacitása	1200 mm H ₂ O	
Tisztítási szélesség	430 mm	510 mm
Felszívófej szélessége	730 mm	790 mm
Berendezés maximális hossza	1060 mm	1100 mm
Berendezés szélessége felszívófej nélkül	480 mm	540 mm
Kefeátmérő	430 mm	510 mm
Súly üres tartályokkal	70 kg	74 kg
Használatra kész berendezés bruttó súlya	120 kg	124 kg
Kefemotor teljesítménye	750 W	
Kefe sebessége	150 fordulat/perc	
Kefe-/padtartó maximális nyomása	32 kg (max.)	35 kg (max.)
Csomagolás mérete (H x Sz x M)	1200 x 610 x 1170 mm (max.)	

BERENDEZÉS LEÍRÁSA

BERENDEZÉS FELÉPÍTÉSE

- | | |
|---|--|
| 1. Biztonsági kapcsológomb | 20. Felszívófej beállító kerék |
| 2. Fogantyú | 21. Felszívófej hátsó támaszkerete |
| 3. Kezelőpanel | 22. Felszívófej elülső támaszkerete |
| 4. Sorozatszám címke / Műszaki adatok / Megfelelőségi tanúsítvány | 23. Tartó |
| 5. Ellenőrző fedél | 24. Piszkosvíz tartály-fedél fogantyúja |
| 6. N/A | 25. Piszkosvíz tartály-fedél |
| 7. N/A | 26. Tartály |
| 8. Visszaállító kapcsoló | 27. Vízbemenet fedele |
| 9. Tápkábel | 28. Kefevédő |
| 10. Akkumulátor fedél | 29. Kefe-/padtartó |
| 11. Felszívó cső | 30. Vákuumrendszer motorja |
| 12. Felszívófej jelölő bowden | 31. Kefemotor |
| 13. N/A | 32. 8" kerék |
| 14. Felszívófej emelő kar | 33. N/A |
| 15. Leeresztő tömlő | 34. Vákuumcső |
| 16. Felszívófej rögzítő csavar | 35. Elektromos szekrény |
| 17. Felszívógumirögzítő | 36. Lebegő szűrő |
| 18. Felszívógumi | 37. Vízszintmérő cső (atiztavíz tartályban lévő vízszint mutatósára) |
| 19. Felszívófej támaszkerete | |

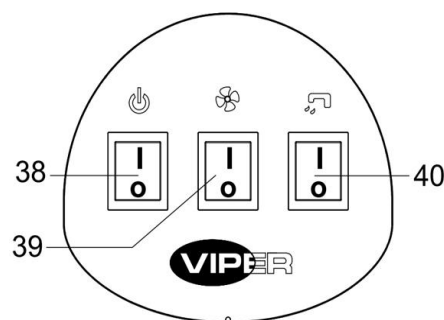
BERENDEZÉS-SZERKEZETI ÁBRÁK



1. ábra

KEZELŐPANEL (2. ábra)

- 38. Főkapcsoló
- 39. Felszívó motorkapcsoló
- 40. Szolenoid szelep kapcsoló



2. ábra

HASZNÁLATI ÚTMUTATÓ



FIGYELMEZTETÉS

A berendezés egyes részeire figyelmeztető jelölések vannak elhelyezve:

- VESZÉLY
- FIGYELMEZTETÉS
- FIGYELEM
- KONZULTÁCIÓ

A kézikönyv olvasásakor a kezelőnek különösen figyelnie kell az ezeken a jelzéseken megtalálható szimbólumokra.

Ezeket a jelzéseket semmilyen körülmények között ne takarja el. Sérülésük esetén azonnal cserélje ki őket.

A KÉSZÜLÉK BEKAPCSOLÁSA ELŐTT

A KEFE-/PADTARTÓ BESZERELÉSE ÉS LEVÉTELE



MEGJEGYZÉS

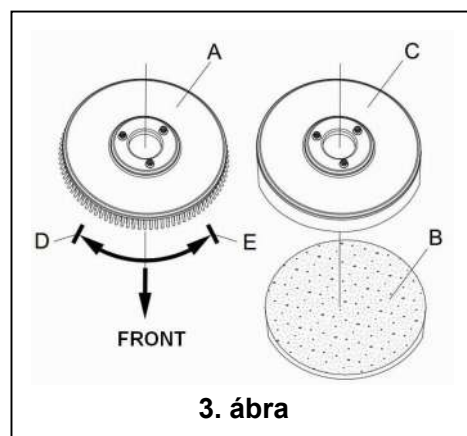
A tisztítandó padlás típusától függően a berendezés ellátható kefével (3. ábra, A) vagy pártatartóval (3. ábra, B és C).



FIGYELEM!

A kefe/padtartó kézi beszerelésekor/kivételekor előbb ellenőrizze, hogy minden kapcsoló kikapcsolt állapotban van-e, majd emelje fel a felszívó fejet a padlóról, és csak ezt követően dolgozhat a kefével vagy padtartóval. A szilánkok által okozott vágási sérülések elkerülése érdekében használjon védőkesztyűt.

1. (Csak **AS430C** és **AS510C** esetén): bizonyosodjon meg arról, hogy a tápellátást lecsatlakoztató tápkábel (9) és a kapcsoló (38) kikapcsolt (O) helyzetben van.
2. Nyomja le a fogantyút (2) a tartály (26) felemeléséhez.
3. Helyezze a kefét (A) vagy padtartót (B – C) a tartály alá.
4. Használja a fogantyút (2) a tartály (26) leengedéséhez, hogy az érintkezzen a kefével vagy padtartóval.
5. A kefe/padtartó automatikus felhelyezéshez fordítsa el a tápkapcsolót (38) "I" állásba és nyomja meg a biztonsági kapcsolót (1). Óvatosan tolja a berendezést előre, hogy a kefeagy a tartály alján a felszerelni kívánt keféhez vagy padtartóhoz igazodjon. Ezt követően engedje el a biztonsági kapcsolót. Szükség esetén ismételje meg ezt az eljárást, amíg a kefét/padtartót fel nem szerelte.
6. Ha a fenti 5. lépés nehéznek bizonyul, a kefe/padtartó felszereléséhez használja a kézi módszert a nyíl (D) követésével (ahogy a **3. ábra** látható).
7. A kefe/padtartó automatikus levételéhez fordítsa el a tápkapcsolót (38) "O" állásba. Kezével fogja meg a fogantyút, nyomja a berendezést lefelé, amíg a segédkerék a padlóhoz nem ér, és a kefe/padtartó a levegőben nem lóg. Kapcsolja a tápkapcsolót (38) "I" állásba, és nyomja meg a biztonsági kapcsolót, hogy a kefe vagy padtartó forgatható legyen, amíg a kefe/padtartó a padlóhoz nem ér.
8. Ha a fenti 7. lépés nehéznek bizonyul, használja a kézi módszert és fordítsa el a kefét/padtartót a normál iránnyal ellenkező irányba, amíg az levehető nem lesz (ahogy a **3. ábra** látható).



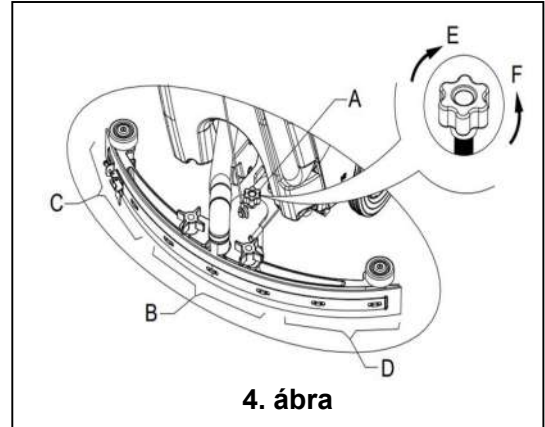
3. ábra

A FELSZÍVÓ FEJFELSZERELÉSE

9. Helyezze be a felszívó fejet és húzza meg a kar (16) segítségével. Ezt követően csatlakoztassa a felszívó csövet (11) a felszívó fejhez.
10. A felszívó fej beállító csavar (A) segítségével állítsa be a felszívó fejet (lásd: **4. ábra**).
 - 1) Ha a hátsó felszívó gumi középső része (B rész) nem érintkezik a padlóval vagy a relatív nyomás lefelé viszonylag alacsony, állítsa be a csavart az óramutató járásával ellentétes

irányba, amíg a felszívó gumiteljes része nem érintkezik megfelelően a padlóval. Az elsőfelszívó guminakgyengéden érintkeznie kellene a padlóval.

- Ha a hátsó felszívó gumikét vége (C és D rész) nem érintkezik a padlóval vagy a relatív nyomás lefelé viszonylag alacsony, állítsa be a csavart az óramutató járásának megfelelő irányba, amíg a hátsó felszívó gumiteljes része nem érintkezik megfelelően a padlóval. Az elsőfelszívó gumi gyengéden érintkeznie kellene a padlóval.



4. ábra

Tisztavízartály megtöltése



FIGYELEM!

Csak alacsony habzású, nem gyúlékony tisztítószeret használjon. Ezeknek a tisztítószernek tisztítógépekben használhatóaknak kell lenniük.

- Nyissa ki a vízbetöltő fedelet (27) és töltsön bele vizet atisztavízartályba. A tartályt ne töltsé túl. A vizet elegendő a vízbetöltő szűrő tartójáig tölteni. A tisztító oldatok készítésekor figyeljen az anyagok gyártói által javasolt hígítási arányra, és a víz hőmérséklete nem haladhatja meg a 40^o C-ot.

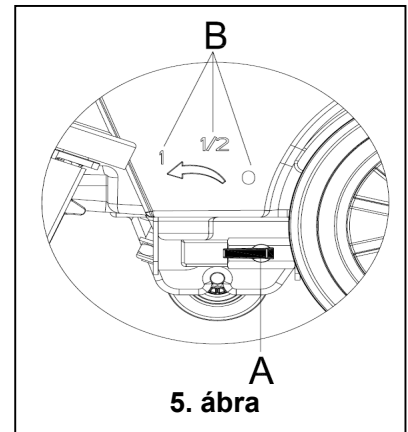
AZ ÁTFOLYÓ VÍZMENNYISÉG SZABÁLYOZÁSA



FIGYELMEZTETÉS!

A vízszelap fogantyú (A, 5. ábra) szabályozását akkor kell végezni, amikor a tápkapcsoló (38) "O" helyzetben van.

- Az átfolyó vízmennyiség beállítását a gömbszelep vízszelap (A, 5. ábra) kell végezni a padló tisztításához szükséges vízmennyiség szerint.



5. ábra

BERENDEZÉS INDÍTÁSA ÉS LEÁLLÍTÁSA

A berendezés indítása

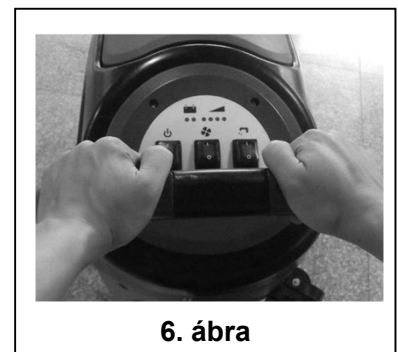
- A fentiek szerint végezze el az előkészületeket.
- Csatlakoztassa a tápkábelt (9) megfelelő feszültségű tápforráshoz, majd kapcsolja a tápkapcsolót (38) "I" helyzetbe.
- A Felszívófej emelő kar (14) segítségével engedje le a felszívófejt.
- Nyomja a Felszívókapcsolót (39) "I" állásba.
- Nyomja a Vízádagoló kapcsolót (40) "I" állásba. (Ezzel párhuzamosan dolgozzon a biztonsági kapcsolóval (1) a vízadagolás vezérléséhez.)
- Fogja a biztonsági kapcsolót (1) és tolja meg a berendezést. A kefe (29) elkezd forogni, és a berendezés megkezd a tisztítást.



KONZULTÁCIÓ: A berendezés tolása

A berendezés egyik jellegzetessége a két beépített biztonsági kapcsoló a fogantyú mindkét oldalán. Mindkét biztonsági kapcsoló képes önállóan vezérelni a kefe működését. Használat közben megkönnyíti a berendezés működtetésének vezérlését.

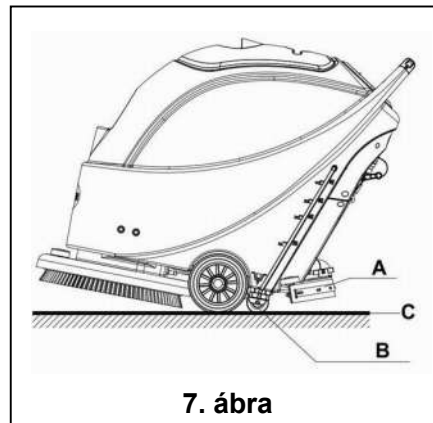
A tapasztalatok alapján elmondható, hogy jobbra, a 6. ábrán bemutatott berendezés mozgatósi mód megfelelőbb, a felhasználóknak kényelmesebb, és a fáradtság kisebb. Ezért javasoljuk, hogy a felhasználók ilyen módon mozgassák a berendezést.



6. ábra

A berendezés kikapcsolása

7. Amikor befejezte a berendezés használatát, előbb vegye le a kefét/padtartót (hivatkozzon a kefe/padtartó felhelyezését/levételét ismertető részre)
8. Engedje el a biztonsági kapcsolót (1) a kefe/padtartó és a vízadagolás kikapcsolásához.
9. Állítsa a felszívó motor kapcsolót (39) "O" állásba, és a motor 5 másodperc késéssel megáll.
10. Nyomja a vízmennyiség-szabályozó kapcsolót (40) "O" állásba a vízadagolás teljes kikapcsolásához.
11. Nyomja a főkapcsolót (38) "O" állásba, és húzza ki a tápkábelt (9) a tápforrásból.
12. A Felszívófej emelő kar (14) segítségével emelje fel a felszívófejet.
13. Markolja meg a fogantyút (2) és óvatosan billentse hátra a berendezést, amíg a segédkerék (B) a padlóhoz nem ér. Lásd: **7. ábra**.



7. ábra

A BERENDEZÉS MŰKÖDTETÉSE (SÚROLÁS ÉS FELSZÍVÁS)

1. A fenti leírásnak megfelelően kapcsolja be a berendezést.
2. Fogja a biztonsági kapcsolót (1) (a **6. ábrá** bemutatottak szerint), tolja előre a berendezést és kezdje el a tisztítást.
3. Szükség esetén kapcsolja ki a berendezést és állítsa be a gumitörlő fogantyúját. (Hivatkozzon a felszívó fejbeállítására vonatkozó lépésekre.)
4. Szükség esetén kapcsolja ki a berendezést és a vízadagoló szelep segítségével állítsa be a vízfolyás erősségét. (Hivatkozzon a vízfolyás-mennyiség beállítására vonatkozó lépésekre.)



FIGYELEM!

A padló sérülésének elkerülése érdekében, amikor a berendezés egy helyben áll és nem dolgozik, kapcsolja ki a főkapcsolót (38).

TARTÁLY ÜRÍTÉSE

Amikor a segéd tartály megtelt, az úszó automatikus kikapcsoló eszköz (36) blokkolni fogja a vákuumpumpához csatlakozó bemenetet. A vákuumpumpából kijövő hangos zajból megítélhető, hogy a vákuumpumpa már túlterhelt, és szükség van a szennyvíz azonnali kiengedésére.



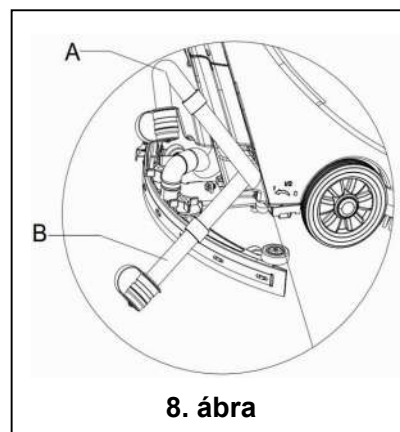
FIGYELEM!

Ha a felszívómotor hirtelen kikapcsol (pl. azért, mert a berendezést hirtelen megmozdították, ez pedig az úszó eszköz aktiválását okozta) és szükség van a működés visszaállításához, végezze el a következő lépéseket: nyomja meg a főkapcsolót (38 és 39) a tápellátás és a felszívómotor kikapcsolásához, majd nyissa fel a piszkosvítartály fedelét (25) annak ellenőrzéséhez, hogy az úszó szűrő visszatért-e a víz felszínére. Ezt követően zárja le a piszkosvítartály fedelét (25) és nyomja meg a főkapcsolót (38 és 39) a tápellátás és a felszívómotor bekapcsolásához.

Amikor a piszkosvítartály teljesen megtelt szennyvízzel, kövesse az alábbi lépéseket annak teljes kiürítéséhez.

Piszkosvítartály ürítése

1. Kapcsolja ki a berendezést.
2. A felszívófej emelő kar (14) segítségével emelje fel a felszívófejet.
3. Vigye a berendezést a kért leeresztési helyre.
4. Markolja meg a fogantyút (2) és óvatosan billentse hátra a berendezést, amíg a segédkerék a padlóhoz nem ér. (A berendezés dokkolásához kérjük, hivatkozzon a berendezés leállítására részben található eljárásokra.)
5. Vegye le a leeresztő tömlőt a rögzítő kapocsról, hajlítsa be a leeresztő tömlő tetejét (lásd: **A, 8. ábra**), majd nyissa fel a leeresztő tömlő kupakját és hajtsa le a leeresztő tömlőt a víz leeresztéséhez. Másik megoldásként helyezze a leeresztő csövet



8. ábra

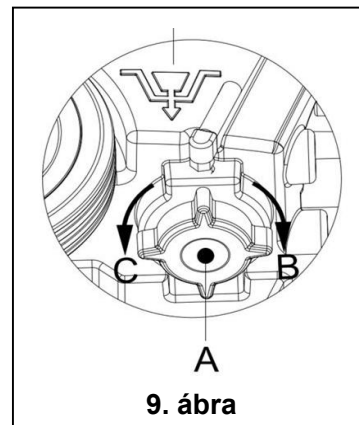
közvetlenül alacsonyra vagy a talajra úgy, hogy a vízkieresztő nyílás lefelé nézzen (lásd: **B, 8. ábra**), majd csavarja le a vízleeresztő kupakot a tartályban lévő szennyvíz leeresztéséhez. A leeresztés befejezését követően tiszta vízzel tisztítsa ki a piszkosvítartály belsejét.

**FIGYELEM!**

A szennyvíz leeresztésekor a szennyvíz leeresztőcsövét le vagy be kell hajtani (ahogy az a 8. A vagy B ábrán látható), majd nyissa fel a leeresztőcső kupakját a szennyvíz leeresztéséhez. Ne hagyja, hogy a leeresztőcső kimenete felfelé nézzen, hogy a vizet függőlegesen eresse ki. Ezzel megelőzhető a szennyvíz ráöntése a felhasználóra.

Tisztavízartály kiürítése

- Végezze el az 1-4. lépést.
- A **9. ábra** szerint fordítsa el az tisztavízartály kupakját (A) az óra mutatójával ellentétes (C) irányba, és teljesen eresse le az tisztavízartályt. Használjon tiszta vizet a tartály belsejének megtisztítására. Amikor befejezte a munkát, szorosan csavarja be az tartály (A) kupakját az óra járásának megegyező (B) irányba.

**A BERENDEZÉS HASZNÁLATA UTÁN**

Miután befejezte a munkát, és mielőtt távozik a berendezéstől, végezze el a következő lépéseket:

- Kövesse az előző részben ismertetett eljárást a kefe/padtartó felhelyezésével és eltávolításával kapcsolatosan, és távolítsa el a kefét/padtartót.
- Kövesse a vonatkozó részekben leírt eljárásokat, teljesen eresse le a vizet az tisztavízartályból és a piszkosvítartályból.
- Végezze el a napi karbantartási eljárásokat (hivatkozzon a karbantartási részre).
- A berendezést, beleértve a kefét/padtartót és felszívófejet, tárolja tiszta és száraz helyen. A felszívó fejet fel kell emelni vagy leszerelni.

ELSŐ HASZNÁLAT

Az első 9 órányi használat után ellenőrizze az összes alkatrészt és bizonyosodjon meg arról, hogy egyik sem lazult ki vagy sérült meg a használat során, és ellenőrizze, nincs-e látható sérülés vagy szivárgás.

KARBANTARTÁS ÉS ÁPOLÁS

A helyes és rendszeres karbantartással és ápolással biztosított a berendezés szervizideje és maximális működtetési biztonsága.

A következő táblázatban a berendezés tervezett általános karbantartási műveletei láthatók. A karbantartási időközöket nagy mértékben a berendezés használatának körülményei határozzák meg. Ezeket az időintervallumokat a karbantartásért felelős személynek kell meghatározni.

**FIGYELMEZTETÉS!**

Ezeket az eljárásokat csak akkor szabad elvégezni, ha a berendezés tápellátását kikapcsolta. A karbantartási eljárások elvégzése előtt figyelmesen olvassa el a vonatkozó biztonsági részeket.

Minden tervezett vagy kiegészítő karbantartási műveletet szakképzett szakembernek vagy szervizközpontnak kell elvégeznie.

Ez a kézikönyv csak a legegyszerűbb és leggyakoribb karbantartási eljárásokat ismerteti.

A tervezett karbantartási táblázatban nem szereplő karbantartási műveletekkel kapcsolatosan hivatkozzon a szervizközpont karbantartási kézikönyvére.

ÜTEMEZETT KARBANTARTÁSI TÁBLÁZAT

Eljárás	Naponta, Berendezés használat után	Hetente	Minden 6 hónapban	Évente
Felszívó fej tisztítása				
Kefe-/padtartó tisztítása				
Víztartály és úszó szűrő tisztítása, a víztartály tömítéseinek ellenőrzése				
Felszívó gumi ellenőrzése és cseréje				
Tisztívívszűrő tisztítása				
Szívómotor szűrő tisztítása				
Csavarok és anyák behúzásának ellenőrzése			(1)	
Motor szénkefe vagy kefe/párnatartó ellenőrzése vagy cseréje				(2)
Ellenőrizze vagy cserélje ki a szívómotor karbonkefét				(2)

(1) A berendezés első bekapcsolását követő 9 óra elteltével kell elvégezni.

(2) Ezeket a karbantartási eljárásokat hivatalos VIPER szervizközpontnak kell elvégeznie.

FELSZÍVÓ FEJ TISZTÍTÁSA



MEGJEGYZÉS

Ahhoz, hogy megmaradjon a felszívás optimális hatása, a felszívó fejet tisztán kell tartani, és a felszívó gumiknak jó állapotban kell maradnia.



FIGYELEM!

A felszívó fej tisztításakor védőkesztyű használatát javasolunk, mivel a felszívó fej éles szilánkokat tartalmazhat.

- Vigye a berendezést egyenes és sima helyre.
- A berendezés kikapcsolásához nyomja a főkapcsolót (38) "O" állásba.
- Csavarozza le a felszívó fejet(16), vegye le a leeresztő csövet, majd vegye le a felszívó fejet.
- A felszívó emelő kar (14) segítségével emelje fel a felszívó fej támaszkeretét.
- Tisztítsa meg a felszívó fejet(10. ábra). Különösen tisztítsa meg a sínt (A, 10. ábra), a piszkot és a törmelékeket a felszívócsövön. Ellenőrizze, hogy az első felszívó gumi (C) és a hátsó felszívó gumi (D) sértetlen-e, nincs-e rajtuk törés vagy repedés. Szükség esetén cserélje ki (hivatkozzon a következő részben leírt lépésekre).
- A fentiekkel fordított sorrendben helyezze vissza a felszívó fejet.

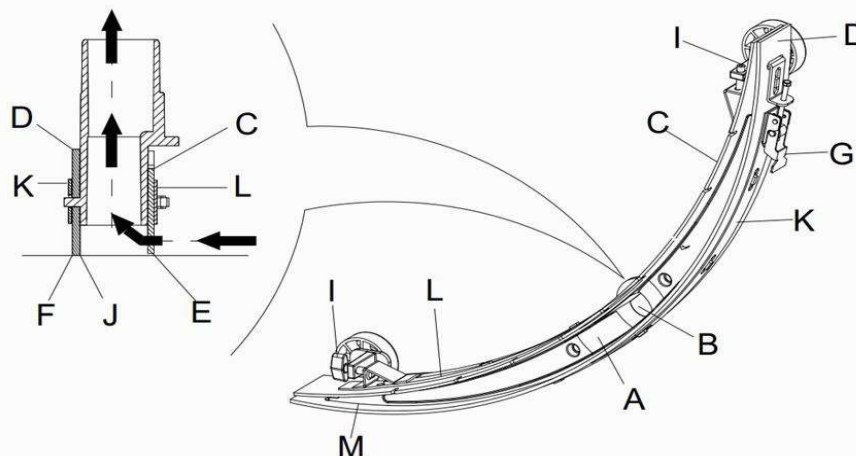
GUMITÖRLŐ PENGE ELLENŐRZÉSE ÉS CSERÉJE

- Kövesse az előző részre (felszívó fej tisztítása) vonatkozó módszereket (10. ábra).
- Ellenőrizze az elsőfelszívó gumiélét (E, 10. ábra) és a hátsó felszívó gumi (D) élet (F). A teljes hosszukon azonos szinten kell lenniük. Ellenkező esetben az alábbi eljárással állítsa be azok magasságát.
 - Lazítsa ki a kapcsot (G) a hátsó felszívó gumi(D) leválásához a konzolról (M), hogy beállíthassa a felszívó gumi pozícióját. Beállítást követően ismét rögzítse a kapcsot.
 - Lazítsa ki a csavart(I), hogy beállíthassa az elsőfelszívó gumi(C); beállítást követően húzza meg a csavart.
- Ellenőrizze, hogy az elsőfelszívó gumi(C) és a hátsófelszívó gumi(D) sértetlen-e, nincs-e rajtuk törés vagy repedés. Szükség esetén a következő módokon cserélje ki. Ellenőrizze a hátsó felszívó gumi (J) élet, nincs-e elhasználódva. Elhasználódás esetén behelyezhető fejfelé lefelé (a felső élének érintetlennek kell lennie). Ha a felső él is el van használódva, cserélje ki az alábbi eljárást követve:
 - Lazítsa ki a kapcsot (G) a hátsófelszívó gumileválásához a konzolról (M), vegye le a kapocs rudat (K), majd cserélje ki vagy fordítsa fejfelé lefelé a hátsó felszívó gumi(D). A levételhez képest fordított sorrendben helyezze vissza a hátsó felszívó gumit.
 - Lazítsa ki a fogantyú csavart (I) és vegye le az első rögzítő sínt (L), majd cserélje ki az első felszívó gumit(C).

A levételhez képest fordított sorrendben helyezze vissza az elülső felszívó gumit.

A felszívó gumitcseréjét (vagy fejjel lefelé történő felhelyezését) követően állítsa be az elülső és hátsó felszívó gumik szintjét a fentebb leírottak szerint.

4. Csatlakoztassa a felszívócsövet (11) a felszívófejhez.
5. Helyezze fel a felszívófejet és a csavar (16) segítségével rögzítse, majd csatlakoztassa a felszívócsövet a felszívófejhez.
6. Szükség esetén a beállítókerék (20) segítségével állítsa be a felszívófejt (hivatkozzon a felszívófej beállítására vonatkozó eljárásokra).



10. ábra

KEFE/PADTARTÓ TISZTÍTÁSA



FIGYELEM!

A kefe/padtartó tisztításakor védőkesztyű használatát javaslunk, mivel a éles szilánkokat tartalmazhatnak.

1. Az előző részekben leírottak szerint szerelje le a kefét/padtartót.
2. Víz és tisztítószer segítségével tisztítsa meg a kefét/padtartót.
3. Ellenőrizze a sörték állapotát a kefén, és szükség esetén cserélje ki a kefét.
4. Ellenőrizze a padtartó elhasználódását. Szükség esetén cserélje ki.

VÍZTARTÁLY ÉS ÚSZÓ SZŰRŐRÁCS TISZTÍTÁSA

1. Vigye a berendezést a kért helyre.
2. A berendezés kikapcsolásához nyomja a főkapcsolót (38) "O" állásba.
3. Nyissa fel a piszkosvíz-tartály fedelét (A, 11. ábra) és vegye ki az úszót (36) a tartályból.
4. Tiszta vízzel tisztítsa meg a tartály kupakját (A), a tartályt (B és C), és az úszó keretet (E). A leeresztőcső (15) segítségével eressze le a vizet a víztartályból.
5. Szükség esetén a "Nyitás" és "Zárás" szimbólumokat követve (a 11. ábra szerint) nyissa fel az úszó szűrő alsó kupakját (F) és tisztítsa meg az úszót (D), az úszó keretet (E) és a szűrőszivacsot (I). Tisztítás után rögzítse az úszót a keretre (E), igazítsa a jelölést (L) az úszó szűrő alsó kupakján (F) a jelöléssel (L) az úszó kereten (E). Szorítsa be az úszó szűrő alsó kupakját (F), majd rögzítse a szűrőszivacsot (I) az úszó keretre (E), majd pedig a szívócsőre (M).
6. Ellenőrizze a tömítő gyűrű (G) szorulását a víztartály fedelén.

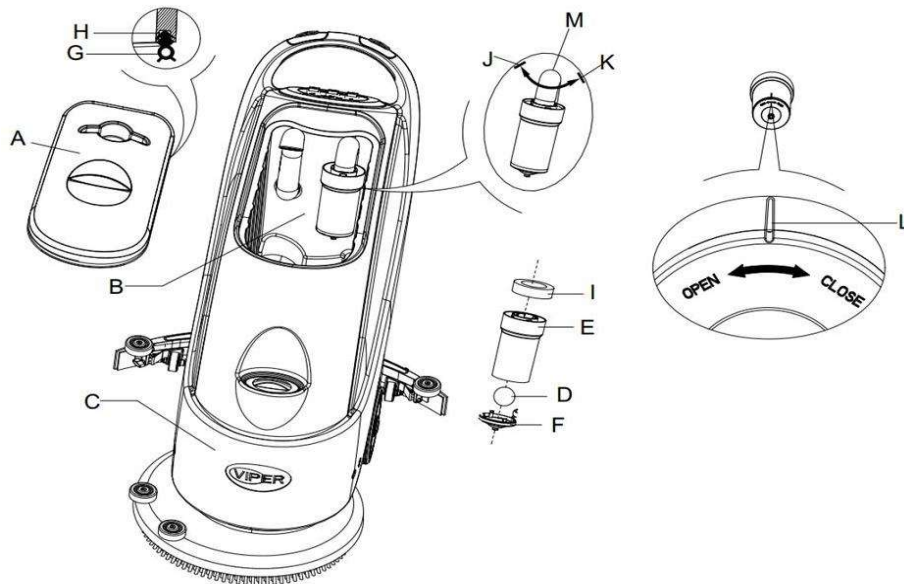


MEGJEGYZÉS

A víztartály tömítésének (G) köszönhetően a víztartályban vákuum keletkezik. Tökéletesen kell illeszkednie, hogy a padlóról hatékonyan tudja felszívni a szennyvizet.

Szükség esetén a víztartály (G) tömítését ki lehet venni a sínből (H) és ki lehet cserélni. Az új tömítés felhelyezésekor (a 11. ábra szerint lentebb) tegye a csatlakozót a hátsó rész középső részébe

7. Ellenőrizze, hogy a tömítés (G) fogadó felülete sértetlen-e és megfelelően tömít-e.
8. Zárja le a tartály fedelét (A).



11. ábra

TISZTAVÍZSZŰRŐ TISZTÍTÁSA

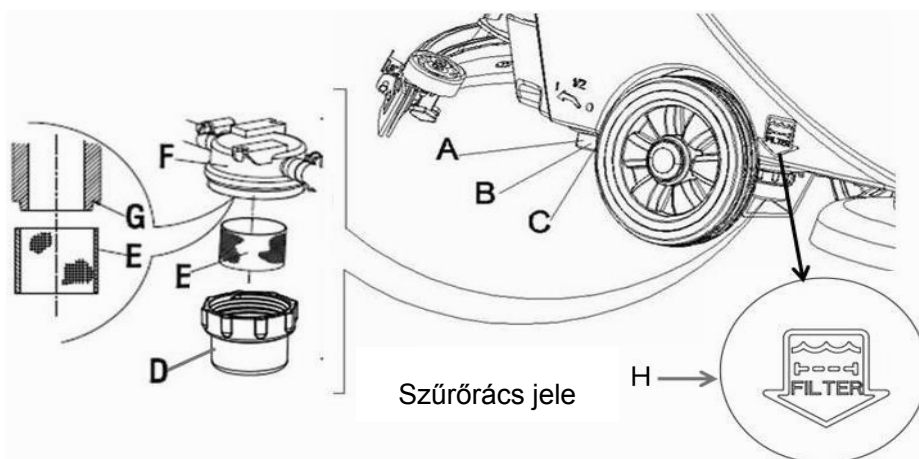
1. A vonatkozó részeken leírottaknak megfelelően engedje ki az összes vizet a tartályból.
2. Vigye a berendezést egyenes és sima talajra.
3. A berendezés kikapcsolásához nyomja a főkapcsolót (38) "O" állásba.
4. Zárja le a vízszelepet (A, 12. ábra) (a berendezés alján található, a kerekek mögött). A B szelepet nyissa meg, a C szelepet pedig zárja be.
5. Vegye le az átlátszó kupakot (D), majd vegye ki a szűrőt (E) és tisztítást követően helyezze a szűrődobozra (F):



MEGJEGYZÉS

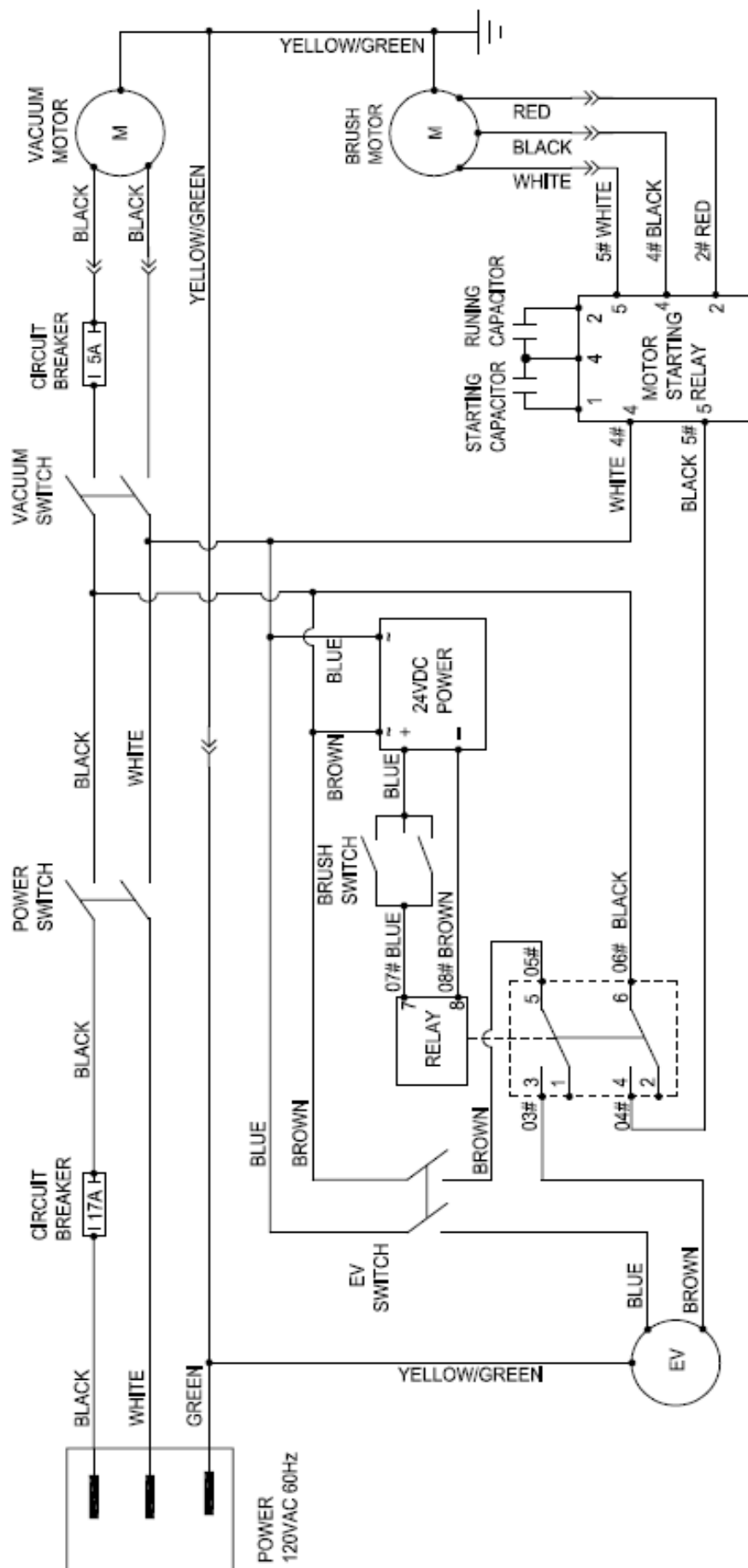
A szűrőt (E) pontosan kell ráhelyezni a projekció (G) helyére.

6. Nyissa meg a leeresztő vízszelepet (A).



12. ábra

AZ AS430C ÉS AS510C BEKÖTÉSI ÁBRÁJA



HIBAEELHÁRÍTÁS

Breakdown	Probable Causes	Remedies
A berendezés nem működik	A vezeték nincs jól csatlakoztatva vagy rossz vezeték	Ellenőrizze a vezetékeket vagy vegye fel a kapcsolatot a Viper forgalmazójával
	Rossz kefemotor	Vegye fel a kapcsolatot a Viper forgalmazójával
	Elhasználódott karbonkefe	Vegye fel a kapcsolatot a Viper forgalmazójával
A vákuummotor nem működik	A vezeték nincs jól csatlakoztatva vagy rossz vezeték	Ellenőrizze a vezetékeket vagy vegye fel a kapcsolatot a Viper forgalmazójával
	Rossz vákuummotor	Vegye fel a kapcsolatot a Viper forgalmazójával
	Elhasználódott karbonkefék	Vegye fel a kapcsolatot a Viper forgalmazójával
Gyenge vagy semmilyen folyadékáramlás	Rossz gömbszelep	Vegye fel a kapcsolatot a Viper forgalmazójával
	Rossz folyadékszelep	Vegye fel a kapcsolatot a Viper forgalmazójával
	Szükséges a gömbszelep beállítása	Amikor a gömbszelep vízszintesen van, a folyadékáramlás maximális
	Elszennyeződött szűrő.	Tisztítsa meg a szűrőt
Nem megfelelő vákuum	A szennyvíztartály megtelt.	Engedje le a víztartályt
	A szennyvíz és a leszívófej csöve nincs jól csatlakoztatva	Csatlakoztassa a szennyvíz és a leszívófej csövét
	Lebegőszűrő vagy bemeneti szűrő blokkolva	Tisztítsa meg a lebegőszűrőt, ellenőrizze a labdát
	A leszívógumi piszkos vagy elhasználódott és sérült	Tisztítsa meg és ellenőrizze a leszívógumit
	A segéd tartály kupak nincs jól rázárva, vagy a víztartály tömítése megsérült	Helyezze fel megfelelően a kupakot, vagy cserélje ki a víztartály tömítését
A leszívógumi csíkokat hagí	A leszívógumi alatt törmelék van	Távolítsa el a törmelékeket
	A leszívógumi elhasználódott, elrepedt vagy érdes.	Cserélje ki a leszívógumit
	A leszívógumi egyensúlya nincs beállítva	Állítsa be az egyensúlyt

A BERENDEZÉS MEGSEMISÍTÉSE

A berendezés megsemmisítéséhez hitelesített zúzógépet használjon.

A berendezés megsemmisítése előtt vegye ki és szeparáltan gyűjtse össze a következő anyagokat, melyeket az érvényben lévő törvényeknek és rendelkezéseknek megfelelően kell feldolgozni.

- Kefe-/padtartó
- Műanyag tömlők és műanyag alkatrészek
- Elektromos és elektronikus alkatrészek (*)

(*): Kérjük, vegye fel a kapcsolatot a legközelebbi VIPER központtal (különösen akkor, ha szükséges az elektromos és elektronikus alkatrészek megsemmisítése).

CUPRINS

INTRODUCERE.....	174
CUPRINSUL MANUALULUI	174
SCOP	174
PIESE DE SCHIMB ȘI ÎNTREȚINERE.....	174
MODIFICĂRI ȘI ÎMBUNĂTĂȚIRI	174
DOMENIUL DE UTILIZARE.....	174
DESPACHETARE/ TRANSPORT	174
INSTRUCȚIUNI GENERALE DE PROTECȚIE	175
DATE TEHNICE	176
DESCRIEREA MAȘINII	176
PĂRȚILE COMPONENTE ALE MAȘINII	176
PANOU DE COMANDĂ	177
GHID DE UTILIZARE.....	178
ÎNAINTE DE PORNIREAMAȘINII.....	178
MONTAREA ȘI DEMONTAREA PERIEI / SUPORTULUI PENTRU BUCATA DE MATERIAL	178
AJUSTAREA MOPULUI	178
REGLAREA VOLUMULUI DEBITULUI DE APĂ	179
PORNIREA ȘI OPRIREA MAȘINII	179
FUNCȚIONAREA MAȘINII (RAȘCHETARE ȘI ȘTERGERE).....	180
GOLIREAREZERVORULUI	180
DUPĂ UTILIZAREA MAȘINII	181
PRIMA UTILIZARE.....	181
ÎNGRIJIRE ȘI ÎNTREȚINERE	181
TABEL CU GRAFICUL DE ÎNTREȚINERE	182
CURĂȚAREA MOPULUI.....	182
VERIFICAREA ȘI ÎNLOCUIREA TĂLPILOR MOPULUI	182
CURĂȚAREA PERIEI/ MAETRIALUL DE POLIȘARE	183
CURĂȚAREA REZERVORULUI DE APĂ ȘI A FILTRULUI FLOTOR	183
CURĂȚAREA FILTRULUI DE SOLUȚIE	184
CIRCUIT FIGURE OF AS430C AND AS510C.....	185
DEPANARE.....	186
DEZAFECTAREA MAȘINII.....	186

INTRODUCERE



NOTĂ

Numerele din paranteză sunt aferente componentelor de la secțiunea Descrierea mașinii

CUPRINSUL MANUALULUI

Manual asigură informațiile necesare operatorului pentru a utiliza această mașină în mod corespunzător și în condiții de siguranță. Informațiile cuprind date tehnice, de exploatare, depozitare, întreținere în condiții de siguranță și de dezafectare a mașinii. Operatorul și tehnicienii cu calificarea corespunzătoare trebuie să studieze acest manual cu atenție, înainte de a începe exploatarea și întreținerea acestei mașini. Vă rugăm contactați firma VIPER pentru orice întrebări cu privire la explicațiile din acest manual sau dacă este nevoie și de alte informații în legătură cu acestea.

SCOP

Acest manual are scopul de a da posibilitatea operatorului și tehnicienilor calificați să realizeze operațiunile de întreținere a acestei mașini.

Operatorul nu trebuie să execute acele operații care trebuie efectuate numai de tehnicieni. Firma VIPER nu este responsabilă pentru nicio defecțiune cauzată de încălcarea acestei reguli.

PIESE DE SCHIMB ȘI ÎNTREȚINERE

Toate operațiunile necesare, procedurile de întreținere și reparații trebuie executate de personal calificat sau în centrele de service ale firmei VIPER.

Se vor folosi numai accesoriile și piesele de schimb autorizate.

Dacă este nevoie de service sau de comandarea de piese de schimb sau accesorii, vă rugăm contactați firma VIPER, aducând la cunoștință modelului mașinii și numerele de serie.

MODIFICĂRI ȘI ÎMBUNĂTĂȚIRI

Firma VIPER face îmbunătățiri continue la produsele sale. Firma VIPER își rezervă dreptul de a face schimbări și de a îmbunătăți mașinile, precum și dreptul de a decide unilateral dacă avantajele aduse prin modificări sunt aplicabile la produsele deja vândute. Toate modificările sau accesoriile în plus trebuie convenite de către compania VIPER și trebuie executate de către această companie.

DOMENIUL DE UTILIZARE

Această mașină de rașchetat este utilizată în mediu industrial și domestic și este potrivită pentru curățarea pardoselilor dure și fără denivelări (rașchetare și strângerea apei). Trebuie să fie utilizată de operatori în mediu ce prezintă siguranță. Această mașină de rașchetat nu se poate folosi pentru curățarea suprafețelor exterioare, a covoarelor și a pardoselilor foarte grunjoase.

DESPACHETARE/ TRANSPORT

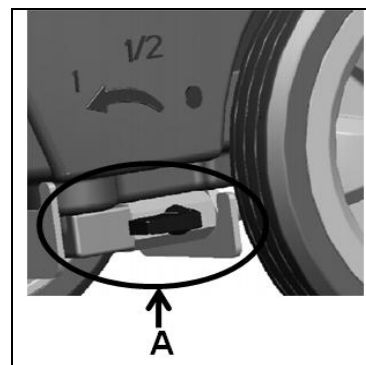
Vă rugăm, la despachetare, aplicați cu atenție instrucțiunile de pe ambalaj.

La livrare, vă rugăm verificați ambalajul și mașina pentru a vă asigura că nu există defecțiuni apărute în timpul transportului. Dacă există o deteriorare vizibilă, vă rugăm păstrați formularul original și solicitați transportatorului să confirme și să completeze o listă cu deteriorările respective, pentru compensare.



— ATENȚIE

Când despachetați și scoateți mașina din ambalaj, sau la deplasarea mașinii pe scări, evitați lovirea comutatorului de închidere/deschidere care reglează debitul de apă, care se vede în Partea A, din figura din partea dreaptă.



Verificați dacă mașina este echipată cu următoarele articole:

Documente tehnice

— Manualul utilizatorului mașinii de rașchetat

1. INSTRUCȚIUNI GENERALE DE PROTECȚIE

Următoarele sunt atenționări speciale și notificări cu privire la potențialele defecțiuni ale mașinii și răniri ale personalului:



ATENȚIE !

- Mașina se va utiliza numai conform instrucțiunilor din prezentul manual. A se utiliza numai accesoriile aprobate de VIPER.
- Această mașină trebuie folosită numai de personal autorizat, cu calificare corespunzătoare. Copiii sau persoane neinstruite adecvat nu trebuie să utilizeze această mașină.
- Când lucrați în apropiere de aparate electrice, nu purtați bijuterii. Vă rugăm luați toate măsurile de precauție și evitați prinderea părului, a bijuteriilor sau a hainelor prea largi, de către piesele în mișcare ale mașinii.
- Vă rugăm nu utilizați această mașină în zone foarte murdare. Nu spălați mașina direct în apă. Nu lăsați mașina să vină în contact cu lichide corozive.
- Temperatura de stocare și mediul de lucru al mașinii trebuie să fie între 0 - 40°C.
- Umiditatea aerului trebuie să fie între 30% - 105%.
- A nu se utiliza mașina pe o pantă cu grad de înclinare mai mare de 2%.
- În caz de incendiu, utilizați stingătoare cu praf. Nu folosiți stingătoare cu lichid.
- A se da o atenție deosebită transportului mașinii în condiții de temperatură sub 0°C. Rezervorul de apă și apa de pe furtunuri poate îngheța ceea ce poate fi cauza unor avarieri grave ale mașinii.
- Folosiți periile și bucățile de material furnizate odată cu mașina, precum și pe cele specificate în Manualul utilizatorului. Utilizarea altor perii sau bucăți de material pot cauza reducerea gradului de siguranță în exploatare.
- În caz de funcționare defectuoasă a mașinii, asigurați-vă că acesta nu este cauzată de o proastă întreținere. Dacă altele sunt cauzele stării defectuoase, solicitați asistența personalului autorizat sau a unui centru de service.
- Dacă se confirmă că trebuie înlocuite piesele de schimb, vă rugăm asigurați-vă că aveți asigurate piese originale de la dealerii sau reprezentanții autorizați.
- Pentru a asigura o funcționare corespunzătoare și în condiții de siguranță, a mașinii, vă rugăm apelați la personal autorizat sau la un centru de service pentru a executa întreținerea planificată conform graficelor de întreținere din secțiunile referitoare la acest subiect, din manual.
- Această mașină trebuie dezafectată în mod corespunzător, întrucât există riscul de otrăvire cu materiale periculoase, iar aceste materiale trebuie depozitate ca deșeuri în centre special amenajate în conformitate cu normele și reglementările specifice (vă rugăm consultați secțiunea referitoare la dezafectarea mașinii).

DATE TEHNICE

Model	AS430C	AS510C
Înălțimea mașinii	980mm	
Capacitatea rezervorului pentru soluție	50 litri	
Capacitatea rezervorului de colectare apă	50 litri	
Diametrul roții de transport	200mm	
Diametrul roții de ghidaj	63.5mm	
Puterea motorului de aspirare	400w	
Înclinarea maximă în timpul lucrului	2%(Max)	
Nivel de zgomot la stația de lucru	72dB(A) ±3dB(A)	
Lungime cablu	20m	
Capacitate circuit sistem aspirare	1200 mm H ₂ O	
Lățime rașchetare	430mm	510mm
lățimea mopului	730mm	790mm
lungime maximă a mașinii	1060mm	1100mm
Mașina fără mop	480mm	540mm
Diametrul periei rașchetă	430mm	510mm
Greutate cu rezervoarele goale	70kg	74kg
Greutatea brută a mașinii gata de folosință	120kg	124kg
Putere motor rașchetare	750W	
Viteză rașchetă	150rpm	
Presiune maximă perie /suport bucată de material	32kg (Max)	35kg(Max)
Dimensiune ambalaj (L x l x H)	1200 x 610 x 1170mm	

DESCRIEREA MAȘINII

PĂRȚILE COMPONENTE ALE MAȘINII

- Comutator de siguranță
- Mâner-bară
- Panou de comandă
- Plăcuță cu număr de serie / date tehnice / Certificat de conformitate
- Capac
- N/A
- N/A
- Comutator resetare
- Cablu curent
- Capac baterie
- Tub aspirator deșeuri
- Cablu electric mop
- N/A
- Mâner de ridicare mop
- Furtun de scurgere
- Buton de fixare mop
- Clemă mop
- Talpă mop
- Cadru de susținere mop
- Mâner ajustare mop
- Cadru-suport spate pentru mop
- Cadru-suport față pentru mop
- Suport rezervor
- Mâner capac rezervor apă colectată
- Capac rezervor apă colectată
- Corp rezervor
- Capac admisie apă
- Punte perie-rașchetă
- Suport perie/ bucată material
- Motor aspirator
- Motor rașchetă
- roată de 8"
- N/A
- Tub de aspirare
- Cutie electrică
- Filtru plutitor
- Tub nivel apă (arată cantitatea de apă din rezervorul de soluție)

FIGURI ALE PIESELOR COMPONENTE ALE MAȘINII

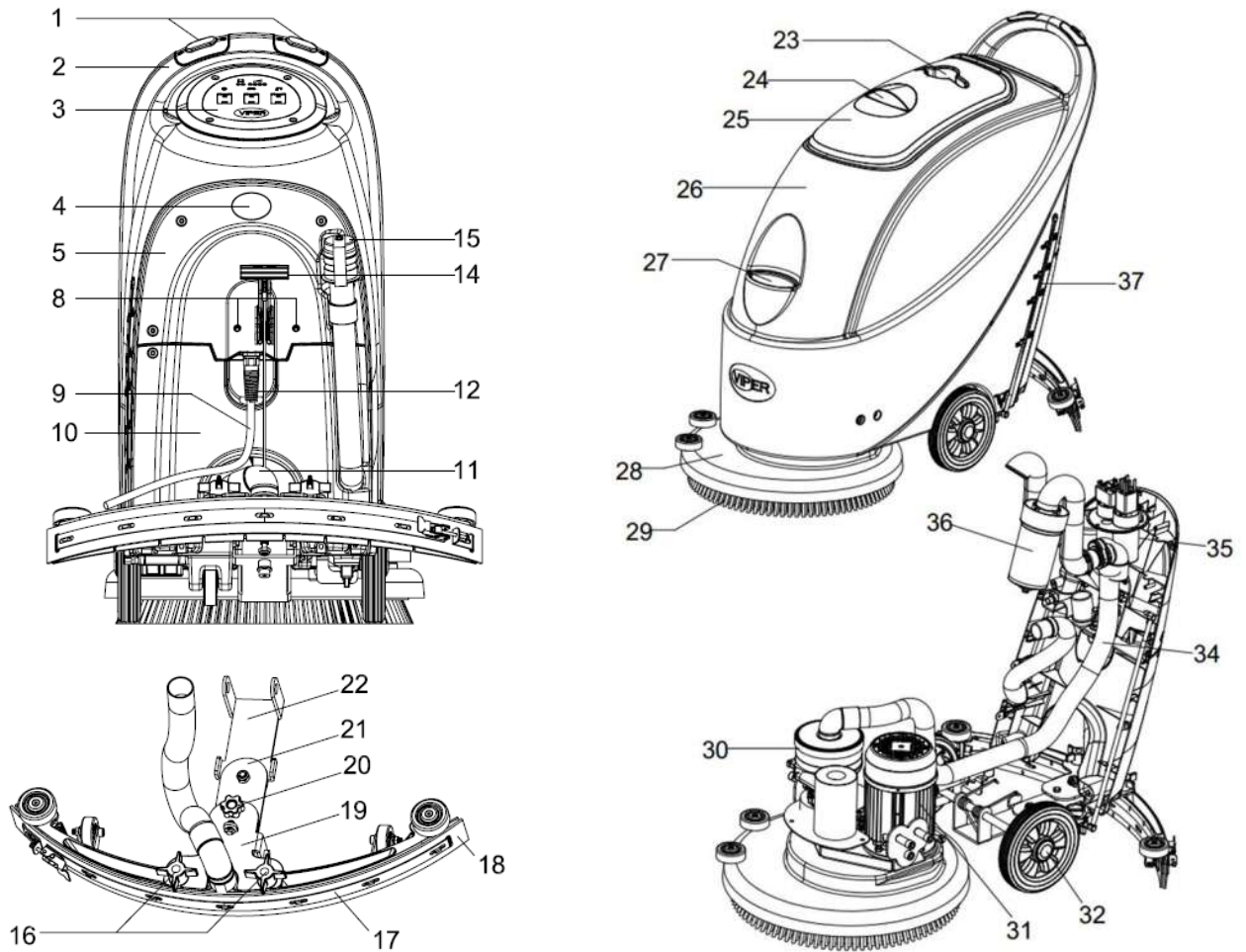


Figura 1

PANOU DE COMANDĂ (Figura 2)

- 38. Comutator alimentare tensiune
- 39. Comutator aspirator
- 40. Supapă cu solenoid

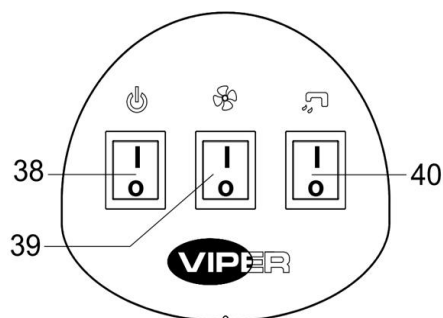


Figura 2

GHID DE UTILIZARE

**ATENȚIE**

Pe anumite piese ale mașinii sunt lipite câteva semne de avertizare:

- PERICOL
- ATENȚIE
- PRECAUȚIE
- A SE VEDEA

La citirea manualului, operatorul va da atenție deosebită atenționărilor speciale, simbolurilor și semnelor.

Sub nicio formă aceste semne nu vor fi acoperite. Dacă acestea sunt deteriorate, trebuie înlocuite imediat.

ÎNAINTE DE PORNIREAMAȘINII

MONTAREA ȘI DEMONTAREA PERIEI / SUPORTULUI PENTRU BUCATA DE MATERIAL

**NOTĂ**

În funcție de tipul de pardosea care trebuie curățată, pe mașină se poate monta o perie (Figura 3, A) sau o bucată de material (Figura 3, B și C).

**ATENȚIE !**

Când se pune sau se scoate manual peria /suportul pentru bucata de material, mai întâi verificați dacă toate comutatoarele sunt pe poziția off (închis) și apoi ridicați mopul de pe podea și numai după aceea se poate pune peria sau suportul de susținere a bucății de material. În plus, vă rugăm să purtați mănuși de protecție pentru a se evita rănirea prin tăiere.

1. (Se aplică doar la tipurile **AS430C** și **AS510C**): verificați dacă cablul de curent(9) e deconectat de la sursa de alimentare și dacă comutatorul (38) este pe poziția de deconectare (O).
2. Apăsați mânerul-bară (2) pentru a se ridica corpul rezervorului (26).
3. Puneți peria (A) sau suportul de material (B – C) în locaș.
4. Utilizați mânerul-bară (2) pentru a coborî corpul rezervorului (26) și a veni în contact cu peria sau suportul de material de curățare.
5. Pentru instalarea automată a periei / suportului de material, puneți comutatorul de alimentare cu electricitate (38) pe poziția "I" și apăsați butonul de siguranță (1). Împingeți ușor mașina înainte pentru a permite roții de la baza rezervorului să se alinieze cu peria sau cu suportul de material care în acest fel vor fi montate. Apoi degajați comutatorul de siguranță. Dacă e necesar, repetați procedura până când peria/ suportul pentru bucata de material este instalată.
6. Dacă pasul 5 de mai sus se dovedește a fi greu de realizat, utilizați metoda manuală urmărind săgeata (D) ce indică sensul pentru montarea periei / suportului de material (după cum se arată în **Figura 3**).
7. Pentru demontarea automată a periei /suportului de material, puneți comutatorul (38) alimentării cu curent pe poziția "O". Țineți cu mâna mânerul-bară și apăsați mașina în jos până cândroata de ghidaj atinge podeaua iar peria/ suportul de material e suspendată în aer. Puneți comutatorul de alimentare (38) pe poziția "I" și apăsați butonul de siguranță pentru a permite periei sau suportului de material să se rotească până ce cad pe podea.
8. Dacă pasul 7 de mai sus se dovedește a fi greu de realizat, folosiți metoda manuală, rotind peria /suportul de material în direcția opusă funcționării normale și în felul acesta se poate scoate. (așa cum se arată în **Figura 3**)

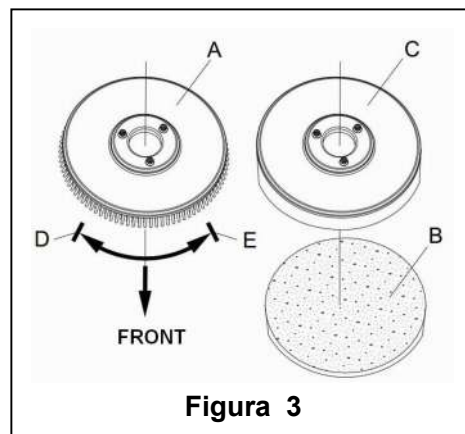


Figura 3

AJUSTAREA MOPULUI

9. Instalați mopul și strângeți-l bine prin rotire cu mânerul (16). Apoi conectați tubul de aspirare (11) a deșeurilor la mop.
10. Ajustați mopul cu ajutorul mânerului de ajustare (A) (vedeți **Figura 4**).

- 1) Dacă partea din mijloc a benzii din spate a mopului, secțiunea B, nu se pliază bine pe podea, sau presiunea de apăsare este prea mică, ajustați mânerul rotindu-l în sens invers acelor de ceasornic până când întreaga lungime a părții din spate a mopului se pliază bine pe podea. Banda din față a mopului trebuie să atingă ușor podeaua.

- 2) Dacă cele două capete ale benzii din spate a mopului, secțiunile C și D, nu se pliază bine pe podea, sau presiunea de apăsare este prea mică, ajustați mânerul rotindu-l în direcția acelor de ceasornic până când întreaga lungime a benzii din spate a mopului se pliază bine pe podea. Banda din față a mopului trebuie să atingă ușor podeaua.

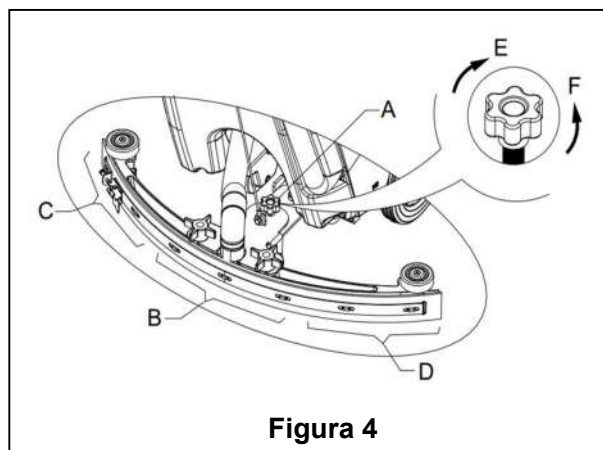


Figura 4

Umplerea rezervorului de soluție



ATENȚIE !

Trebuie să se folosească numai detergenți neinflamabili care fac o cantitate redusă de spumă. Acești detergenți trebuie să fie potriviți pentru utilizarea la mașinile de rașchetat.

11. Deschideți capacul de admisie (27) și adăugați apă în rezervorul de soluție. Nu umpleți rezervorul în exces. Umpleți cu apă până aproape de marginea suportului filtrului. Când pregătiți soluțiile de curățare, respectați raportul de diluare indicat de producătorii substanțelor chimice, iar temperatura apei nu trebuie să fie mai mare de 40° C.

REGLAREA VOLUMULUI DEBITULUI DE APĂ



ATENȚIE !

Reglarea mânerului supapei cu bilă (A, Figura 5) trebuie să se facă numai când comutatorul de alimentare cu energie (38) este pe poziția "O".

12. Volumul debitului de apă poate fi reglat prin intermediul mânerului supapei cu bilă (A, Figura 5) în funcție de cantitatea de apă necesară pentru rașchetarea podelei.

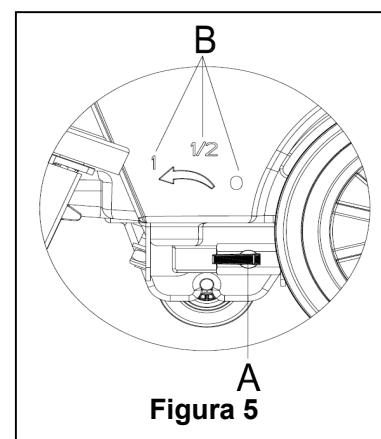


Figura 5

PORNIREA ȘI OPRIREA MAȘINII

Pornirea mașinii

1. Executați pașii de pregătire, așa cum se descrie mai sus.
2. Conectați cablul de curent (9) la sursa adecvată de energie electrică și puneți comutatorul (38) pe poziția "I".
3. Cu ajutorul mânerului (14) coborâți mopul.
4. Puneți, prin apăsare, comutatorul aspiratorului (39) pe poziția "I".
5. Puneți, prin apăsare, comutatorul (40) pe poziția "I". (Lucrați simultan cu butonul de siguranță (1) pentru a controla funcționarea supapei cu solenoid.)
6. Țineți apăsat butonul de siguranță (1) și împingeți pentru a deplasa mașina. Peria (29) începe să se rotească și mașina își începe treaba ei de curățare.



CONSULTAȚIE: Cum trebuie împinsă mașina
Una din caracteristicile mașinii este instalarea a două butoane de siguranță pe ambele părți ale mânerului bară. Fiecare buton de siguranță este capabil să controleze independent funcționarea periei. În timpul funcționării, aceștia facilitează controlul exploatării mașinii.

Din experiență, metoda de a deplasa mașina, așa cum se arată în Figura 6 din dreapta, este cea mai potrivită, utilizatorul ține mâinile mai confortabil ceea ce reduce oboseala. Așadar, se recomandă utilizatorilor să deplaseze mașina în acest fel.

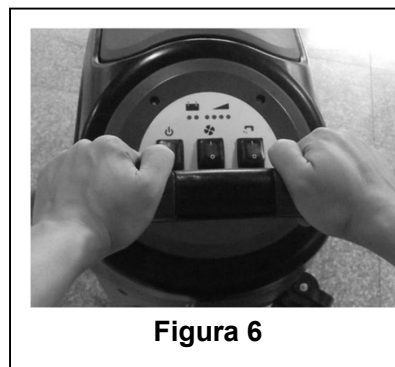


Figura 6

Oprirea mașinii

7. Când ați terminat de utilizat mașina, prima dată demontați peria /suportul pentru material (vedeți pașii referitori la aceasta în secțiunea cu montarea și demontarea periei /suportului de material)
8. Eliberați butonul de siguranță (1) și rotiți peria /suportul de material și supapa cu solenoid.
9. Apăsați butonul pompei de aspirare (39) la poziția "O" iar pompa de vid își va opri funcționarea după 5 secunde de întârziere.
10. Apăsați butonul de control al debitului apei (40) la poziția "O" pentru a opri complet funcționarea supapei cu solenoid.
11. Apăsați butonul de alimentare cu energie (38) la poziția "O" și deconectați cablul de curent (9) de la sursa de alimentare.
12. Utilizați mânerul bară (14) pentru a ridica mopul.
13. Prindeți bine mânerul-bară (2) și dați ușor mașina către spate până ce roata de ghidaj (B) atinge podeaua. Vedeți Figura 7.

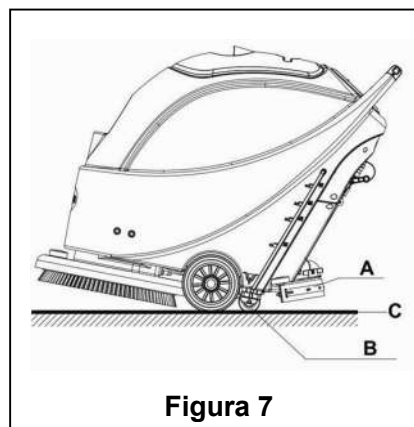


Figura 7

FUNCȚIONAREA MAȘINII (RAȘCHETARE ȘI ȘTERGERE)

1. Porniți mașin conform descrierii de mai sus.
2. Mențineți apăsat butonul de siguranță (1) (așa cum se arată în Figura 6), împingeți pentru a deplasa mașina și începeți operația de curățare.
3. Dacă este necesar, opriți mașina și ajustați mânerul de ajustare al mopului. (Vă rugăm vedeți pașii pentru austarea echilibrului mopului)
4. Dacă este necesar, opriți mașina și ajustați debitul de apă cu ajutorul supapei cu bilă. (Vedeți pașii pentru ajustarea volumului debitului de apă.)



ATENȚIE!

Pentru a se evita deteriorarea podelei, când mașina stă într-un loc, fără să fie mișcată, opriți alimentarea cu energie de la comutatorul (38).

GOLIREAREZERVORULUI

Când rezervorul cu apă colectată este plin, flotorul din dispozitivul plutitor de oprire automată (36) va bloca admisia ce face legătura cu pompa de vid. Când zgomotul făcut de pompa de vid crește în intensitate, se poate considera că pompa funcționează în suprasarcină și că este necesară drenarea imediată a apei uzate.



ATENȚIE!

Dacă pompa de aspirare se oprește brusc (de ex. fiindcă mașina este mișcată brusc ceea ce a dus la activarea flotorului) și dacă se dorește reluarea exploatării, executați următorii pași: apăsați comutatoarele (38 și 39) pentru opri alimentarea cu energie și pompa de aspirare, și deschideți capacul rezervorului cu apă colectată (25) pentru a verifica dacă flotorul filtrului flotor a revenit pe suprafața apei. Apoi închideți capacul rezervorului de apă colectată (25), și apăsați comutatoarele (38 și 39) pentru a porni alimentarea cu energie și pompa de vid.

Când rezervorul cu apa colectată este umplut complet cu apă uzată, executați următorii pași pentru a o goli.

Golirea rezervorului de apă colectată

1. Opriti mașina.
2. Cu ajutorul mânerului (14), ridicați T-ul de spălare.
3. Duceți mașina la un loc amenajat pentru aruncarea deșeurilor.
4. Cu ajutorul mânerului-bară (2) înclinați ușor mașina către spate până când roata de ghidaj atinge podeaua. (Pentru lăsarea mașinii în stare de repaos, vedeți procedurile de oprire a mașinii).
5. Scoateți furtunul din clema de fixare, îndoiți capătul de drenare (cum se arată în **A, Figura 8**) și apoi deschideți capacul furtunului de drenaj, coborâți furtunul la un nivel mai mic sau pe sol pentru a se scurge apa. Alternativ, puneți furtunul direct într-o poziție inferioară sau pe sol, cu fanta de ieșire a apei în jos (cum se arată în **B, Figura 8**) și apoi deschideți prin răsucire clapeta de drenare a apei pentru golirea apei uzate din rezervor. După golirea completă, folosiți apă curată pentru spălarea rezervorului.

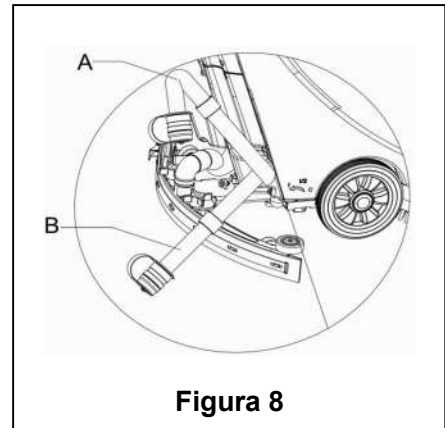


Figura 8

ATENȚIE !



La golirea apei uzate, tubul de aspirare a deșeurilor trebuie pliat sau pus la o poziție inferioară (după cum se arată în figura Figure 8 A sau B), și apoi se deschide clapeta tubului de aspirare, ca apa să se golească. Nu poziționați fanta de ieșire a apei în sus, astfel încât apa să nu se scurgă vertical. În acest fel se va evita stropirea cu apă murdară a operatorului.

Golirea rezervorului de soluție

6. Executați pașii de la 1 la 4.
7. Așa cum se arată în **Figura 9**, deschideți capacul rezervorului de soluție (A) pe direcția contrară acelor de ceasornic C, și goliți complet rezervorul de soluție. Folosiți apă curată pentru spălarea rezervorului. Când operațiunea s-a terminat, închideți bine prin rotire capacul rezervorului de soluție (A) în direcția B, a acelor de ceasornic.

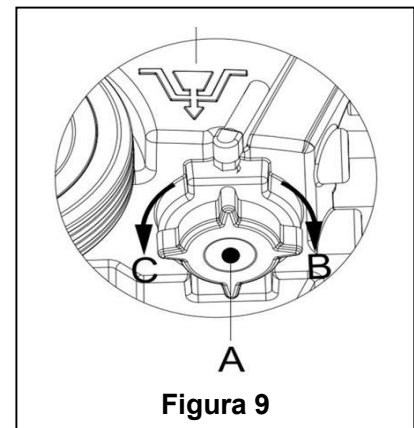


Figura 9

DUPĂ UTILIZAREA MAȘINII

Când lucrarea s-a făcut și înainte de a lăsa mașina în stare de repaos, executați următorii pași:

1. Uurmați procedura descrisă la secțiunea menționată mai sus de monare și demontare a periei /suportului de material și scoateți peria / suportul de material.
2. Aplicați procedurile descrise în secțiunile referitoare la golirea completă a rezervorului de soluție și a rezervorului de apă colectată.
3. Executați procedurile zilnice de întreținere (vedeți secțiunea întreținere).
4. Depozitați mașina, inclusiv peria/ suportul de bucată de material într-un loc curat și uscat. Mopul trebuie ridicat sau scos.

PRIMA UTILIZARE

După primele 9 ore de utilizare, verificați toate piesele componente pentru a vă asigura că nu a fost nimic deteriorat sau slăbit în timpul operării. Verificați dacă sunt defecțiuni vizibile sau scurgeri.

ÎNGRIJIRE ȘI ÎNTREȚINERE

Prin întreținerea la timp și executată în mod corect se asigură durată maximă de viață a mașinii și funcționarea ei în condiții de siguranță.

În tabelul următor se dă planul general de întreținere a mașinii. Intervalele de timp pentru efectuarea operațiilor de întreținere sunt determinate în mare măsură de durata de funcționare a mașinii. Aceste intervale de timp trebuie stabilite de personalul responsabil cu întreținerea.



ATENȚIE !

Înainte de începerea oricărei proceduri de întreținere, vă rugăm studiați cu atenție secțiunile referitoare la aceasta.

Toate operațiunile de întreținere planificate sau suplimentare trebuie efectuate de personal calificat sau de centre de service autorizate.

Acest manual abordează numai cele mai simple și mai des întâlnite proceduri de întreținere.

Pentru orice proceduri de întreținere, altele decât cele stabilite în tabelul cu operațiunile planificate de întreținere, consultați manualul de întreținere din centrele de service.

TABEL CU GRAFICUL DE ÎNTREȚINERE

Procedură	Zilnic, mașină după utilizare	săptămă nal	la fiecare 6 luni	anual
curățarea mopului				
Curățarea periei/ suportului bucății de material				
Curățați rezervorul de apă și filtrul flotor, verificați garniturile de etanșare ale rezervorului de apă				
Verificați și schimbați banda mopului				
Curățați filtrul de soluție				
Curățați filtrul motorului de aspirație				
Verificați ca șuruburile și piulițele să fie bine strânse			(1)	
Verificați sau schimbați peria sau suportul pentru bucata de material				(2)
Verificați sau schimbați peria de la motorul de aspirație				(2)

(1) Aceasta se va face după 9 ore de funcționare a mașinii.

(2) Aceste proceduri de întreținere trebuie efectuate de un centru service autorizat VIPER.

CURĂȚAREA MOPULUI



NOTĂ

Pentru un rezultat optim de colectare a apei prin aspirare, mopul trebuie menținut curat și banda acestuia trebuie să fie păstrată în condiții bune.



ATENȚIE !

La curățarea mopului, se recomandă purtarea mănușilor de protecție întrucât pe mop se pot găsi fragmente ascuțite.

1. Deplasați mașina pe o suprafață plană și uniformă.
2. Apăsăți comutatorul (38) la poziția "O" și opriți mașina.
3. Deșurubați mânerul fix (16) al mopului, decuplați conectorul ce leagă tubul de aspirare de mop și scoateți mopul.
4. Cu ajutorul mânerului mopului (14) ridicați mopul pe cadrul suport.
5. Curățați mopul (**Figura 10**). Curățați în mod special canelura (**A, Figura 10**) și murdăria și așchiile din tubul de aspirare. Verificați dacă partea din față a tălpii mopului (C) și partea din spate (D) sunt fisurate și dacă marginile sunt crăpate. Schimbați-le dacă este necesar (vedeți pașii din următoarea secțiune).
6. Reinstalați mopul efectuând operațiunile de mai sus în ordine inversă.

VERIFICAREA ȘI ÎNLOCUIREA TĂLPII MOPULUI

1. Aplicați operațiunile de curățare a mopului descrise în secțiunea anterioară (**Figura 10**)
2. Verificați marginea (**E, Figura 10**) tălpii din față a mopului (F) și marginea tălpii din spate (D). Pe toată lungimea, acestea trebuie să fie la același nivel. În caz contrar, ajustați-le înălțimea aplicând următoarea procedură.
 - Desfaceți clema (G) pentru a separa talpa mopului (D) de cadrul (M) pentru ajustarea poziției mopului. După reglare, fixați clema din nou.
 - Deșurubați șurubul de pe mânerul (I) pentru a ajusta talpa din față a mopului (C); după ajustare strângeți șurubul de pe mâner.

3. Verificați dacă talpa din față a mopului (C) și talpa din spate (D) este intactă și dacă sunt fisuri sau marginile sunt crăpate. Dacă e necesar, verificați-le în felul următor. Verificați marginea din față a tălpii din spate a mopului (J) pentru a vedea dacă e uzată. În caz de uzură, se poate instala cu partea de jos în sus (marginea de sus trebuie să fie intactă). Dacă și marginea de sus este uzată, schimbați-o conform procedurii de mai jos:
 - Desfaceți clema (G) ca să separați talpa de cadrul (M), scoateți clema de prindere (K), și apoi schimbați sau inversați talpa din spate a mopului (D) cu susul în jos. Reinstalați talpa mopului efectuând operațiunile în ordine inversă.
 - Deșurubați șurubul de pe mâner (I) și scoateți clema de prindere (L), apoi schimbați mopul din față (C).
Reinstalați talpa mopului din față în ordinea inversă.
După schimbarea tălpii mopului (sau instalarea acesteia cu partea de sus în jos), ajustați nivelul tălpilor din față și spate conform procedurilor descrise mai sus.
4. Verificați tubul de aspirare (11) al mopului.
5. Instalați mopul și folosiți butonul rotund (16) pentru a-l fixa, apoi conectați tubul de aspirare la mop.
6. Dacă e necesar, ajustați mopul cu volanta (20) (vedeți procedurile de ajustare a echilibrului mopului).

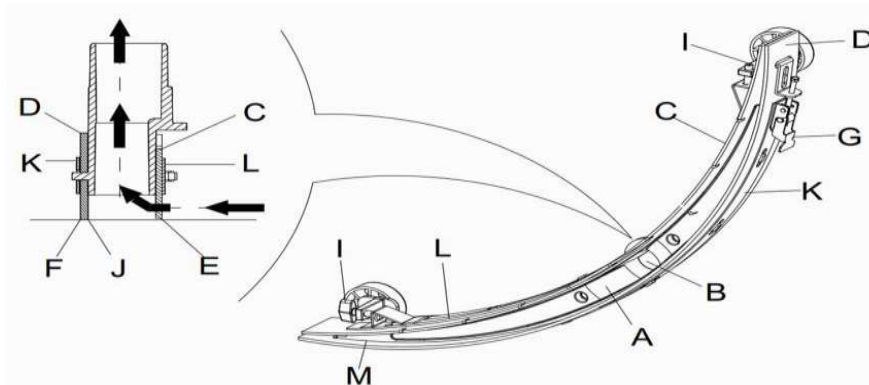


Figura 10

CURĂȚAREA PERIEI/ MAETRIALUL DE POLIȘARE



ATENȚIE!

La curățarea periei/ suportului bucății de material, se recomandă purtarea de mănuși de protecție întrucât pot exista așchii ascuțite.

1. Conform procedurilor descrise mai sus, scoateți peria /suportul de material.
2. Curățați peria/ suportul pentru bucata de material folosind apă și detergent.
3. Verificați starea de uzură și integritate în care se află perii periei și dacă este necesar schimbați-o.
4. Verificați starea de uzură a suportului pentru bucata de material și, dacă este nevoie, schimbați-l.

CURĂȚAREA REZERVORULUI DE APĂ ȘI A FILTRULUI FLOTOR

1. Duceți mașina într-un loc amenajat pentru curățare și depozitare gunoi.
2. Puneți comutatorul (38) pe poziția "O" pentru a opri mașina.
3. Deschideți capacul apei de colectare (A, Figura 11) și scoateți flotorul (36) din rezervorul de apă de colectare.
4. Folosiți apă curată pentru spălarea capacului rezervorului (A), rezervorul (B și C), și cadrul suport al filtrului flotor (E). Goliți toată apa din rezervor prin tubul de colectare apă (15).
5. Dacă este necesar, urmând simbolurile "Deschis" și "Închis" după cum se arată în Figura 11, deschideți capacul (F) de la baza filtrului flotor și curățați flotorul (D), cadrul suport al filtrului flotor (E) și buretele filtrului (I). După spălare, fixați flotorul pe cadrul suport al filtrului flotor (E), și apoi aliniați marcajul șanț (L) de la partea de jos a capacului (F) filtrului flotor cu marcajul șanț (L) de pe cadrul suport al filtrului flotor (E). Închideți strâns capacul (F) de la partea de jos a filtrului flotor și fixați buretele filtrului (I) pe cadrul suport al filtrului flotor (E), și apoi pe tubul de aspirare (M).
6. Verificați soliditatea inelului de etanșare (G) al capacului rezervorului de apă.



NOTĂ

Garnitura de etanșare (G) a rezervorului de apă face să se creeze un vid în rezervor. Etanșarea trebuie să fie perfectă pentru a se putea sorbi apa reziduală de pe podea.

Dacă este necesar, garnitura de etanșare a rezervorului (G) se scoate din locașul canelură (H) și se schimbă. Când se montează o nouă garnitură de etanșare, ca în **Figure 11** de mai jos, instalați conectorul la mijlocul părții din spate.

7. Verificați dacă suprafața pe care se aplică garnitura (G) este intactă și etanșarea se face corespunzător.
8. Închideți capacul apei colectate (A).

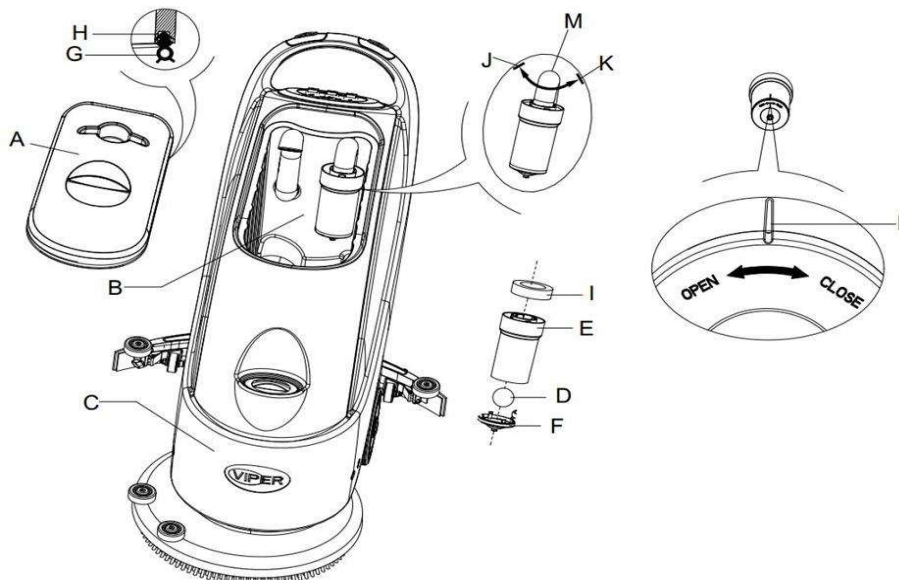


Figura 11

CURĂȚAREA FILTRULUI DE SOLUȚIE

1. Goliți toată apa din rezervorul de soluție în felul arătat la secțiunea respectivă.
2. Deplasați mașina pe o suprafață plană și fără denivelări.
3. Apăsăți comutatorul (38) la poziția "O" și opriți mașina.
4. Închideți supapa cu bilă (A, **Figura 12**) amplasată la partea inferioară a mașinii, în spatele roților. Puneți supapa cu bilă B pe poziția deschis, iar supapa cu bilă C pe poziția închis.
5. Scoateți capacul transparent (D), apoi scoateți filtrul (E), și apoi puneți-le în cutia filtrului (F) după curățare.



NOTĂ

Filtrul (E) trebuie instalat corespunzător pe poziția proiectată (G).

6. Deschideți supapa cu bilă, de evacuare (A).

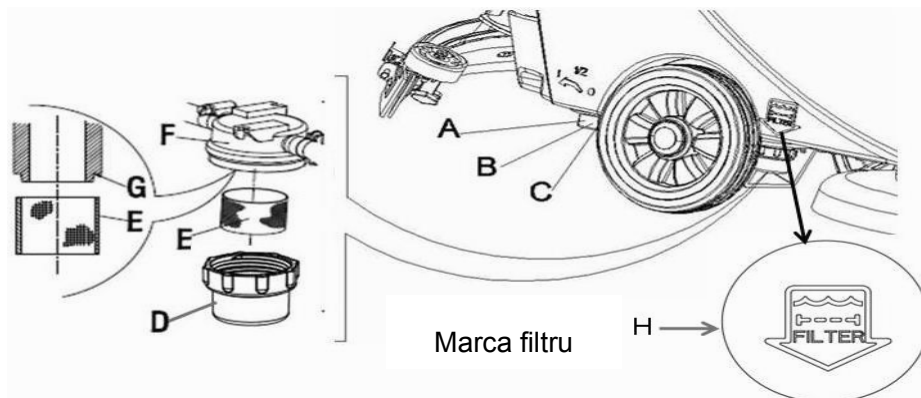
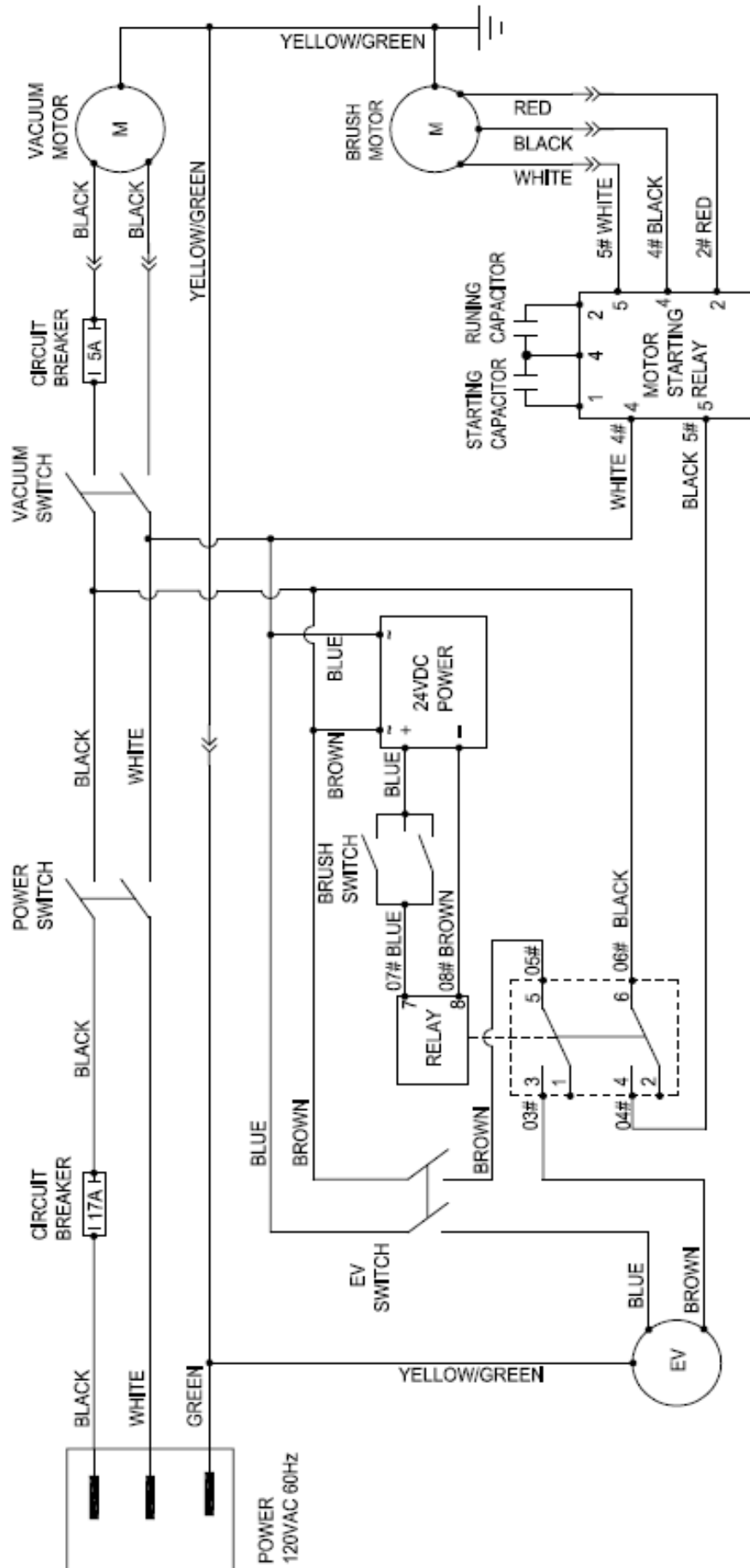


Figura 12

CIRCUIT FIGURE OF AS430C AND AS510C



DEPANARE

Breakdown	Probable Causes	Remedies
Mașina nu funcționează	Cablurile nu sunt conectate corect sau cablarea nu este bună	Verificați cablarea sau contactați distribuitorul Viper
	Motorul periei nu e bun	Contactați distribuitorul Viper
	Peria e uzată	Contactați distribuitorul Viper
Motorul de aspirație nu funcționează	Cablurile nu sunt conectate corect sau cablarea nu este bună	Verificați cablarea sau contactați distribuitorul Viper
	Motorul de aspirație nu e bun	Contactați distribuitorul Viper
	Periile sunt uzate	Contactați distribuitorul Viper
Soluția nu curge sau curge prea puțin	Supapa cu sferă nu e bună	Contactați distribuitorul Viper
	Supapa soluției nu e bună	Contactați distribuitorul Viper
	Poziția supapei cu sferă trebuie ajustată	Când supapa cu sferă este pe poziție orizontală, debitul de soluție este maxim
	Filtrul murdar.	Curățați filtrul
Aspirare inefficientă	Rezervorul de apă uzată este plin.	Goliți rezervorul
	Tubul de aspirație și mopul nu sunt corect conectate	Conectați tubul de deșeuri la mop
	Filtrul flotant sau admisia sunt blocate	Curățați filtrul flotant, verificați bila flotantă
	Mopul este murdar sau are talpa uzată și degradată	Curățați și verificați mopul
	Capacul rezervorului de recuperare apă nu este bine pus, sau garnitura de la rezervorul de apă nu este bună	Puneți corect capacul rezervorului, sau schimbați garnitura
Mopul lasă urme	Gunoaie sub talpa mopului	Îndepărtați gunoaiele
	Talpa mopului este uzată, ciobită, casantă	Schimbați talpa
	Mopul nu este echilibrat	Ajustați echilibrul

DEZAFECTAREA MAȘINII

Folosiți un utilaj anume de sfărâmare pentru distrugerea acestei mașini.

Înainte de a distruge mașina, scoateți următoarele materiale care, în conformitate cu legislația referitoare la aceasta, trebuie prelucrate în mod corespunzător.

- Peria/suportul pentru bucata de material
- Furtunuri de plastic și componente din PVC
- Electrical and electronic components (*)

(*): Vă rugăm contactați cel mai apropiat Centru VIPER (mai ales dacă e necesară scoaterea componentelor electrice și electronice)

ОГЛАВЛЕНИЕ

ВВЕДЕНИЕ	188
СОДЕРЖАНИЕ РУКОВОДСТВА.....	188
ЦЕЛЬ.....	188
ЗАПЧАСТИ И ХРАНЕНИЕ.....	188
ИЗМЕНЕНИЯ И МОДЕРНИЗАЦИЯ.....	188
МАСШТАБ ПРИМЕНЕНИЯ.....	188
РАСПАКОВКА/ТРАНСПОРТИРОВКА.....	188
ОСНОВНОЕ РУКОВОДСТВО ПО БЕЗОПАСНОСТИ.....	189
ТЕХНИЧЕСКИЕ ДАННЫЕ.....	190
ОПИСАНИЕ МАШИНЫ	190
СТРУКТУРА МАШИНЫ.....	190
ПАНЕЛЬ УПРАВЛЕНИЯ.....	191
РУКОВОДСТВО ПО ИСПОЛЬЗОВАНИЮ	192
ПЕРЕД ЗАПУСКОМ МАШИНЫ.....	192
УСТАНОВКА И СНЯТИЕ ЩЕТКИ/ДЕРЖАТЕЛЯ НАСАДКИ.....	192
НАСТРОЙКА БАЛАНСА ВАЛИКА.....	193
РЕГУЛИРОВАНИЕ ОБЪЕМА ПОДАЧИ ВОДЫ.....	193
ЗАПУСК И ОСТАНОВКА УСТРОЙСТВА.....	193
РАБОТА УСТРОЙСТВА (ЧИСТКА И СУШКА).....	194
ОПОРОЖНЕНИЕ РЕЗЕРВУАРА.....	194
ПРАВИЛА ИСПОЛЬЗОВАНИЯ УСТРОЙСТВА.....	195
ПРИ ПЕРВОМ ЗАПУСКЕ.....	196
ТЕХНИЧЕСКОЕ ОБСЛУЖИВАНИЕ И УХОД	196
ТАБЛИЦА-ПЛАН ПРОЦЕДУР ПРОФИЛАКТИЧЕСКОГО ОБСЛУЖИВАНИЯ.....	196
ОЧИСТКА ЩЕТКИ.....	197
ЗАМЕНА И ПРОВЕРКА ЛЕЗВИЯ ЩЕТКИ.....	197
ОЧИСТКА КИСТИ/ПОЛИРОВАЛЬНОЙ ПОДУШКИ.....	198
ОЧИСТКА РЕЗЕРВУАРА ДЛЯ ВОДЫ И ФИЛЬТРА-ПОПЛАВКА.....	198
ОЧИСТКА ФИЛЬТРА ДЛЯ РАСТВОРА.....	199
СХЕМА ТОКА УСТРОЙСТВ AS430C И AS510C.....	200
УСТРАНЕНИЕ НЕИСПРАВНОСТЕЙ	201
УТИЛИЗАЦИЯ УСТРОЙСТВА	201

ВВЕДЕНИЕ



ПРИМЕЧАНИЕ

Цифры в скобках относятся к соответствующим компонентам, показанным в секции Описание устройства.

СОДЕРЖАНИЕ РУКОВОДСТВА

Данное руководство должно предоставить оператору необходимую информацию по использованию данного устройства правильно и безопасно. Информация включает в себя технические характеристики, безопасность, эксплуатацию, хранение, техническое обслуживание и утилизацию машины. Оператор и техники с соответствующей квалификацией должны изучить данное руководство перед началом эксплуатации и технического обслуживания аппарата. Пожалуйста, свяжитесь с VIPER для любых запросов по разъяснению данного руководства или при необходимости дальнейшей информации.

ЦЕЛЬ

Цель данного руководства заключается в предоставлении оператору и квалифицированным специалистам информации по выполнению технического обслуживания данного устройства.

Оператор не должен выполнять те операции, которые должны выполняться только техниками. VIPER не будет нести ответственность за любой вред, причиненный в результате нарушения этого правила.

ЗАПЧАСТИ И ХРАНЕНИЕ

Все необходимые операции, техническое обслуживание и ремонтные работы должны выполняться квалифицированным персоналом или в сервисных центрах VIPER

Только авторизованные запасные части и принадлежности должны быть использованы.

Если необходимо обслуживание и заказ запасных частей или аксессуаров, пожалуйста, свяжитесь с VIPER и укажите номер модели машины и серийный номер.

ИЗМЕНЕНИЯ И МОДЕРНИЗАЦИЯ

VIPER осуществляет постоянную модернизацию своей продукции. VIPER оставляет за собой право на изменения и модернизацию машин, а также право решать являются ли преимущества, вызванные изменениями, применимыми к уже проданной продукции. Все изменения или дополнительные аксессуары должны быть согласованы с VIPER, и должны производиться компанией.

МАСШТАБ ПРИМЕНЕНИЯ

Данная жесткая щетка используется в бытовой и промышленной сфере, и подходит для очистки гладких и твердых полов (очистка и сбора сточных вод). Она должна использоваться квалифицированным оператором и в безопасной среде. Данная щетка не может быть использована для очистки на открытом воздухе, на коврах и на относительно грубых поверхностях.

РАСПАКОВКА/ТРАНСПОРТИРОВКА

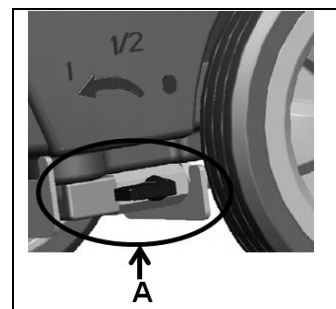
Пожалуйста, внимательно следуйте инструкциям на упаковке при распаковке.

При поставке, пожалуйста, проверьте упаковку и устройство, чтобы убедиться в отсутствии возможных повреждений во время транспортировки. Если есть какие-либо видимые повреждения, пожалуйста, сохраняйте первоначальный вид, и спросите перевозчика о подтверждении и заполните список ущерба для компенсации.



— ОСТОРОЖНО

При распаковке и разгрузке, или во время перемещения машины по земле, пожалуйста, позаботьтесь об избежании удара переключателя ВКЛ/ВЫКЛ, регулирующего расход воды, часть А на рисунке справа.



Убедитесь, что машина оснащена следующим компонентами:
Технические документы

– Инструкция по применению жесткой щетки

ОСНОВНОЕ РУКОВОДСТВО ПО БЕЗОПАСНОСТИ

Ниже приведены специальные предупреждения и уведомления о потенциальных повреждениях (персонала и машины):



ПРЕДУПРЕЖДЕНИЕ!

- Машина может работать только под руководством настоящего руководства. Только аксессуары, рекомендованные корпорацией VIPER, должны использоваться.
- Данная машина должна использоваться только правильно обученным или уполномоченным персоналом. Дети или ненадлежащие лица не должны использовать эту машину.
- При работах вблизи электрических частей, пожалуйста, не носите ювелирные украшения. Пожалуйста, соблюдать все меры предосторожности, чтобы избежать попадания волос, ювелирных изделий, и свободной одежды на какие-либо движущиеся части машины.
- Пожалуйста, не используйте эту машину в очень загрязненных помещениях. Не мойте машину непосредственно водой. Не позволяйте машине контактировать с едкими жидкостями.
- Температура для хранения и для рабочей среды машины должна быть в пределах 0 – 40 С.
- Влажность воздуха должна быть в пределах 30% - 105%.
- Пожалуйста, не используйте машину на склоне с уклоном более 2%.
- В случае пожара, пожалуйста, используйте порошковые огнетушители. Не используйте жидкие огнетушители.
- Особое внимание должно быть уделено при транспортировке машины при температуре ниже 0 С. Резервуар для воды и вода в шлангах может замерзнуть и вызвать серьезные повреждения машины.
- Используйте щетки и насадки, поставляемые с машиной и которые указаны в руководстве пользователя. Использование других щеток или насадок может привести к снижению безопасности.
- В случае неисправности машины, пожалуйста, убедитесь, что оно не вызвано отсутствием технического обслуживания. Если это вызвано другими условиями, пожалуйста, обратитесь за помощью к квалифицированному персоналу или в сервисный центр.
- Если подтвердится, что запасные части должны быть заменены, пожалуйста, приобретите оригинальные запчасти у официальных дилеров или агентов.
- В целях обеспечения безопасной и правильной эксплуатации машины, пожалуйста, позвольте квалифицированному персоналу или сервисному центру выполнить плановое техническое обслуживание в соответствии с графиками обслуживания в соответствующих разделах данного руководства.
- Данная машина должна быть надлежащим образом утилизирована, потому что там могут существовать ядовитые и опасные вещества, и эти вещества должны быть утилизированы специальными центрами в соответствии с соответствующими законами и правилами (пожалуйста, обратитесь к разделу об утилизации машины).

ТЕХНИЧЕСКИЕ ДАННЫЕ

Модель	AS430C	AS510C
Вес машины	980мм	
Емкость бака для раствора	50 л	
Емкость бака восстановления	50 л	
Диаметр транспортного колеса	200мм	
Диаметр направляющего колеса	63.5мм	
Мощность двигателя вакуумной системы	400Вт	
Максимальный уклон при работе	2%(Max)	
Уровень звукового давления на рабочей станции	72дБ(А) ±3дБ(А)	
Длина кабеля	20м	
Отключающая способность вакуумной системы	1200 мм H ₂ O	
Ширина очистки	430мм	510мм
Ширина валика	730мм	790мм
Максимальная длина машины	1060мм	1100мм
Ширина машины без валика	480мм	540мм
Диаметр щетки	430мм	510мм
Вес с пустыми баками	70кг	74кг
Общий вес устройства, готового к использованию	120кг	124кг
Мощность двигателя щетки	750Вт	
Скорость щетки	150об/мин	
Максимальное давление щетки/держателя насадки	32кг (Макс)	35кг(Макс)
Размер упаковки (Дх Ш х В)	1200 x 610 x 1170мм	

ОПИСАНИЕ МАШИНЫ**СТРУКТУРА МАШИНЫ**

- | | |
|---|---|
| 1. Кнопка аварийного отключения | 20. Установочный маховичок валика |
| 2. Руль | 21. Задняя опорная рамка валика |
| 3. Панель управления | 22. Передняя опорная рамка валика |
| 4. Табличка с серийным номером / Технические данные / Сертификат соответствия | 23. Держатель емкости |
| 5. Управляющая головка | 24. Ручка крышки бака восстановления |
| 6. N/A | 25. Крышка бака восстановления |
| 7. N/A | 26. Корпус бака |
| 8. Кнопка сброса | 27. Крышка отверстия для воды |
| 9. Кабель питания | 28. Настил щетки |
| 10. Батарейный отсек | 29. Держатель щетки/насадки |
| 11. Вакуумная трубка для отходов | 30. Двигатель вакуумной системы |
| 12. Вытягивающий шнур валика | 31. Двигатель щетки |
| 13. N/A | 32. 8" колесо |
| 14. Поднимающая ручка валика | 33. N/A |
| 15. Сливной шланг | 34. Вакуумная трубка |
| 16. Фиксированная ручка валика | 35. Электрический блок |
| 17. Зажим валика | 36. Плавающий фильтр |
| 18. Лопасть валика | 37. Трубка уровня воды (для указания количества воды в баке раствора) |
| 19. Опорная рамка валика | |

РИСУНКИ СТРУКТУРЫ МАШИНЫ

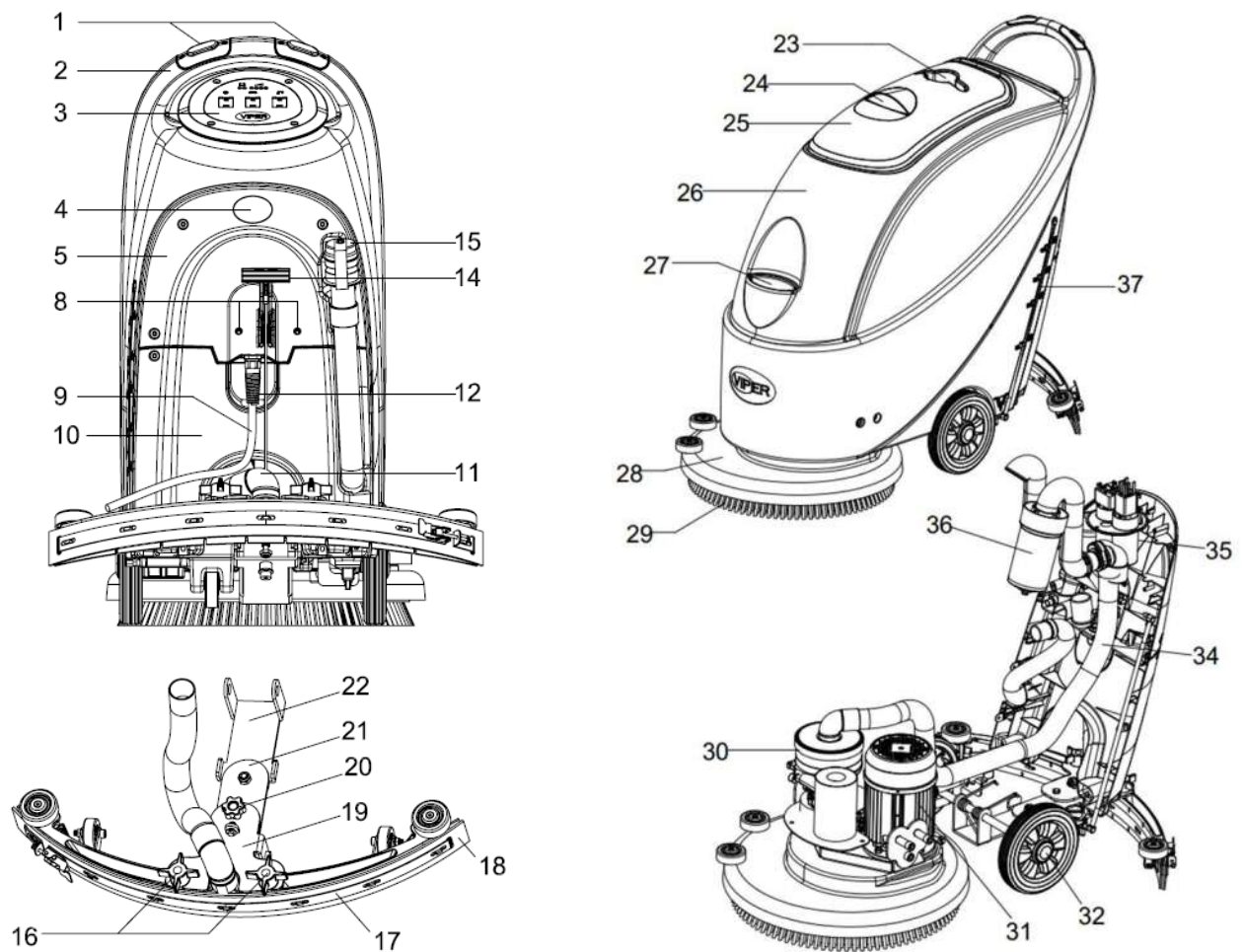


Рисунок 1

ПАНЕЛЬ УПРАВЛЕНИЯ (Рисунок 2)

- 38. Выключатель питания
- 39. Вакуумный переключатель
- 40. Переключатель электромагнитного клапана

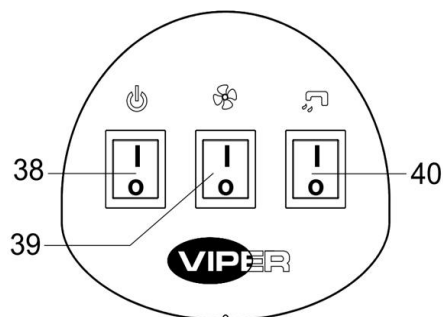


Рисунок 2

РУКОВОДСТВО ПО ИСПОЛЬЗОВАНИЮ



ПРЕДУПРЕЖДЕНИЕ

На некоторых частях машины проставлены некоторые указательные знаки:

- ОПАСНОСТЬ
- ПРЕДУПРЕЖДЕНИЕ
- ОСТОРОЖНО
- КОНСУЛЬТАЦИЯ

При чтении данного руководства, оператор должен обратить особое внимание на символы на этих знаках. Ни при каких обстоятельствах эти знаки не должны быть закрыты. Если они повреждены, пожалуйста, немедленно замените.

ПЕРЕД ЗАПУСКОМ МАШИНЫ

УСТАНОВКА И СНЯТИЕ ЩЕТКИ/ДЕРЖАТЕЛЯ НАСАДКИ



ПРИМЕЧАНИЕ

В соответствии с типом очищаемого пола, на машину может быть установлена щетка (Рисунок 3, А), или держатель насадки (Рисунок 3, В и С).



ОСТОРОЖНО !

При ручной установке или снятии щетки/держателя насадки, сначала проверьте, все ли переключатели находятся в выключенном состоянии, и поднимите валик с пола, только после можете продолжить действие с щеткой или держателем насадки. Кроме того, пожалуйста, наденьте защитные перчатки, чтобы не порезаться осколками.

1. (Применимо только к **AS430C** и **AS510C**): убедитесь, что кабель питания (9), отключающий питание, а также кнопку переключения (38), находится в обесточенном состоянии.
2. Нажмите вниз руль (2) для подъема корпуса бака (26).
3. Поместите щетку (А) или держатель насадки (В - С) под корпус.
4. Используйте руль (2), чтобы опустить корпус бака (26) для вхождения в контакт с щеткой или держателем насадки.
5. Чтобы установить щетку/держатель насадки автоматически, включите переключатель питания (38) в положение "ВКЛ" и нажмите на предохранительный выключатель (1). Аккуратно двигайте машину вперед так, чтобы позволить ленточному колесу в нижней части корпуса бака выровняться с щеткой или держателем насадки, которые затем могут быть установлены. Затем отпустите предохранительный выключатель. При необходимости повторите эту процедуру, пока щетка/держатель насадки не будут установлены.
6. Если шаг 5 оказывается трудным, используйте ручной метод, следуя стрелке-указателю (D) для установки щетки/держателя насадки (как показано на **рисунке 3**).
7. Чтобы автоматически снять щетку/держатель насадки, поверните переключатель питания (38) в положение "ВЫКЛ". Держите руль рукой, и нажмите машину вниз, пока направляющее колесо не коснется пола и щетка/держатель насадки висит в воздухе. Установите переключатель питания (38) в положение "ВКЛ", и нажмите предохранительный выключатель, чтобы позволить щетке или держателю насадки повернуться, пока щетка/держатель насадки не опустится на пол.
8. Если Шаг 7 выше оказывается трудным, используйте ручной метод путем поворота щетки/держателя насадки в направлении противоположном нормальному направлению поворота, и она может быть снята. (как показано на **рисунке 3**)

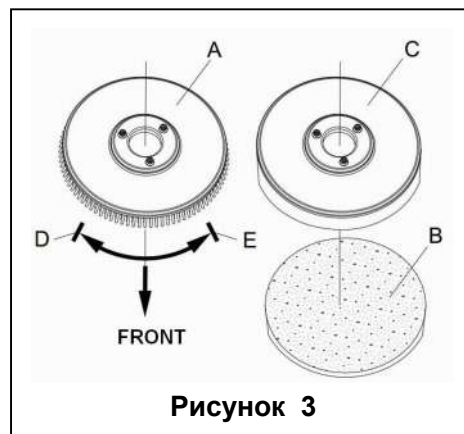


Рисунок 3

НАСТРОЙКА БАЛАНСА ВАЛИКА

9. Установите швабру и закрепите ее туго с ручкой (16). Затем подсоедините вакуумную трубку (11) для отходов швабры.
10. Отрегулируйте валик при помощи регулировочной рукоятки (А) валика (смотрите **рисунок 4**).
 - 1) Если в средней части задней полосы валика, раздел В, имеется щель с полом или давление вниз относительно слабое, отрегулируйте ручку в направлении против часовой стрелки, пока по всей длине задняя полоса валика не будет хорошо соприкасаться с полом. Передняя полоса валика должна слегка касаться пола.
 - 2) Если оба конца задней полосы валика, секции С и D, имеют разрыв с полом или давление вниз относительно слабое, отрегулируйте ручку в направлении по часовой стрелке, пока по всей длине полоса заднего валика не будет соприкасаться с полом. Передняя полоса валика должна слегка касаться пола.

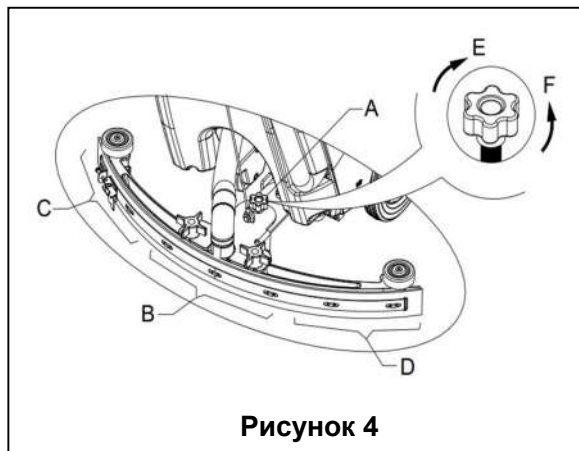


Рисунок 4

Наполнение бака раствора



ОСТОРОЖНО!

Только негорючие моющие средства с низким пенообразованием могут быть использованы. Эти моющие средства должны быть пригодны для использования жесткими щетками.

11. Откройте заглушку для воды (27) и добавьте воды в бак раствора. Не перегружайте резервуар. Заполнение до края держателя фильтра подачи воды будет достаточно. При подготовке чистящих средств, следуйте нормам разбавления предлагаемыми производителями химии, и температура воды не должна превышать 40 С.

РЕГУЛИРОВАНИЕ ОБЪЕМА ПОДАЧИ ВОДЫ



ПРЕДУПРЕЖДЕНИЕ !

Регулирование ручки шарового клапана (А, рисунок 5) должно быть сделано при условии, когда переключатель питания находится (38) в положении «ВЫКЛ».

12. Объем подачи воды может быть отрегулирован через ручку шарового клапана (А, рисунок 5) в зависимости от количества воды, фактически необходимого для очистки пола.

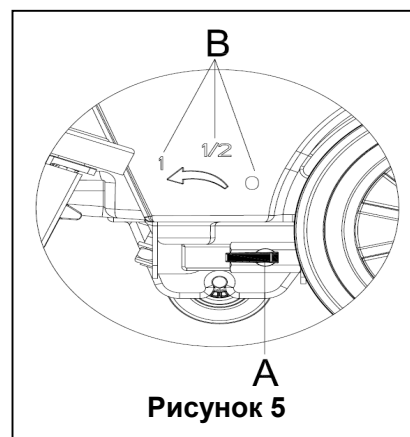


Рисунок 5

ЗАПУСК И ОСТАНОВКА УСТРОЙСТВА

Запуск устройства

1. Выполните подготовительные действия, указанные выше
2. Подключите кабель питания (9) к источнику тока с соответствующим напряжением, переключите кнопку питания (38) в позицию "I".
3. Используйте ручку швабры (14), чтобы опустить швабру.
4. Переключите кнопку пылесоса (39) в позицию "I".
5. Нажмите кнопку регулирования расхода воды (40) и установите её в позицию "I". (Работает одновременно с предохранителем (1) для контроля магнитного клапана.)
6. Держите предохранитель (1) и жмите для перемещения устройства. Щётка (29) начинает вращаться и устройство выполняет работу по очистке.



КОНСУЛЬТАЦИЯ: Способ передвижения устройства

Одной из особенностей устройства является установка двух предохранителей по обе стороны от руля. Каждый предохранитель контролируется вне зависимости от работы щетки. Их использование облегчает управление работой станка.

Опыт показывает, что метод передвижения устройства, показанный на рисунке 6 является самым подходящим, благодаря чему пользователи чувствуют себя комфортно и не ощущают усталости от работы. Таким образом, мы рекомендуем пользователям данный способ передвижения устройства.

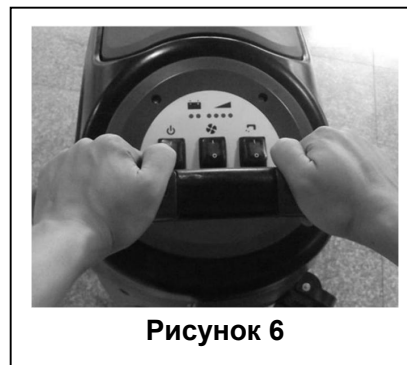


Рисунок 6

Остановка устройства

7. При завершении работы устройства сперва выгрузите кисти/PAD-держатель (см. шаги, которые указаны в разделе, посвященном установке и выгрузке кисти/PAD-держателя).
8. Отпустите кнопку предохранителя (1) для отключения щетки/PAD-держателя и магнитного клапана.
9. Нажмите кнопку отключения вакуумного насоса (39) в позицию "О", после чего подождите 5 секунд до полной остановки вакуумного насоса и остановите устройство.
10. Нажмите кнопку регулирования расхода воды (40) в позицию "О" для выключения магнитного клапана.
11. Нажмите кнопку включения питания (38) в позицию "О". Отключите кабель питания (9) от источника тока.
12. Используйте ручку швабры (14) для ее поднятия.
13. Возьмите руль (2) и слегка наклоните устройство назад, пока устройство направляющее колесо (B) не коснется пола. См. **рисунок 7**

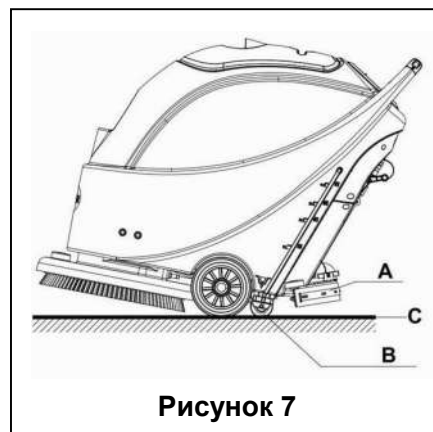


Рисунок 7

РАБОТА УСТРОЙСТВА (ЧИСТКА И СУШКА)

1. Запустите устройство согласно с приведенным выше описанием.
2. Держите предохранитель (1) (в соответствии со способом, указанным на **Рисунке 6**), жмите для перемещения устройства и начинайте работу по очистке.
3. При необходимости, выключите устройство, а также отрегулируйте настройки ручки швабры (см. шаги по регулировке баланса швабры).
4. При необходимости, выключите устройство и отрегулируйте подачу воды с помощью ручки шарового крана. (См. шаги по регулировке расхода воды).



ПРЕДУПРЕЖДЕНИЕ!

Для предотвращения повреждения полового покрытия необходимо отключить питание устройства, если устройство остается на одном месте(38).

ОПОРОЖНЕНИЕ РЕЗЕРВУАРА

После восстановления полноты резервуара поплавков (36) выключения устройства автоматически блокирует вход вакуумного насоса. Посредством внезапного увеличения шума от вакуумного насоса, можно считать, что вакуумный насос перегружен и необходимо слив сточных вод.



ПРЕДУПРЕЖДЕНИЕ!

Если вакуумный насос неожиданно отключается (например, если устройство перемещается в результате активации поплавка), а возобновление операции необходимо, пожалуйста, выполните следующие действия: нажмите кнопку включения питания (38 и 39), чтобы выключить питание и вакуумный насос и откройте крышку резервуара (25), для проверки нахождения поплавка в поплавковом фильтре, который должен вернуться к поверхности воды. После этого закройте крышку резервуара для грязной воды (25) и нажмите кнопку включения питания (38 и 39) для запуска питания и вакуумного насоса.

Когда бак для грязной воды заполнен сточными водами, выполните следующие действия.

Опорожнения бака для грязной воды

1. Отключите устройство.
2. При использовании ручки швабры (14), приподнимите швабру.
3. Переместите устройство на специальное дамп-место.
4. Возьмитесь за руль (2) и осторожно наклоните устройство назад, чтобы направляющее колесо коснулось пола. (Для стыковки устройства см. процедуры остановки секции)

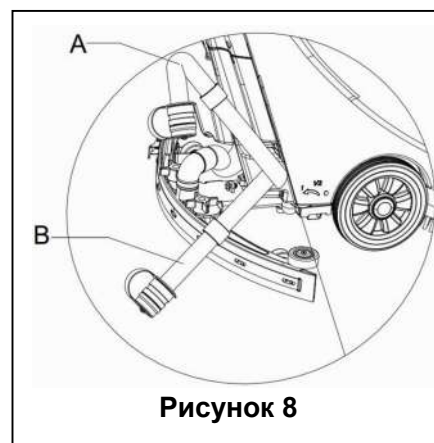


Рисунок 8

5. Отключите сливной шланг от фиксатора, согните верхнюю часть сливного шланга (как показано в **А, рисунок 8**), а затем откройте крышку сливного шланга, опустите сливной шланг на низкий уровень или на землю, для того, чтобы слить воду. Кроме того, сразу установите сливной шланг в низкой позиции или на земле, чтобы сделать спускающийся выход воды (как показано в **В, рисунок 8**), а затем откройте крышку отверстия для слива воды, для отвода сточной воды в резервуаре. После завершения слива, используйте чистую воду, чтобы очистить резервуар для грязной воды.



ПРЕДУПРЕЖДЕНИЕ!

При сливе сточных вод, вакуумная трубка для отходов должна быть сложена или быть опущена в нижнее положение (как показано на рисунке 8 А или В), а затем откройте крышку отверстия для слива отходов, чтобы слить воду. Не устанавливайте выходы вакуумной трубки в горизонтальное положение, чтобы сливать воду вертикально. Выполните это во избежание разлива сточных вод на управляющего операций.

Опустошения резервуара для раствора

6. Выполните шаги с 1 по 4.
7. Как показано на **рисунке 9**, поверните крышку для открытия резервуара для раствора (А) против часовой стрелки в направлении С и опустошите резервуар для раствора полностью. Используйте чистую воду, для очистки внутренней поверхности резервуара. Когда работа будет завершена, закройте резервуар плотно крышкой (А) повернув ее по часовой стрелке в направлении В.

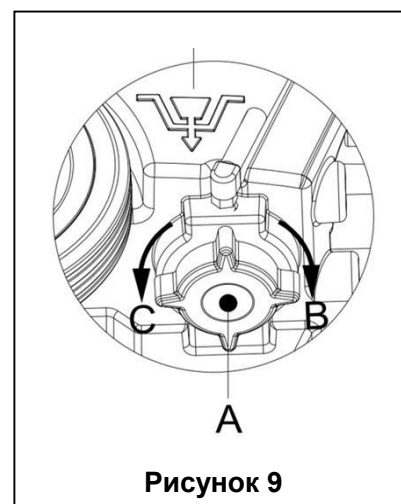


Рисунок 9

ПРАВИЛА ИСПОЛЬЗОВАНИЯ УСТРОЙСТВА

Когда работа выполнена, и устройство можно убрать, выполните следующие действия:

1. Следуйте инструкциям, которые описаны в вышеупомянутом разделе об установке и деинсталляции щетки/PAD-держателя и деинсталлируйте щетки.
2. В соответствии с процедурами, описанными в соответствующих разделах, слейте воду резервуара для раствора и резервуара опорожнения полностью.

3. Выполняйте ежедневные процедуры технического обслуживания (см. раздел о техническом обслуживании).
4. Храните устройство, в том числе кисти/PAD-держатель и щетку, в чистом сухом месте. Щетка должна быть снята или отключена

ПРИ ПЕРВОМ ЗАПУСКЕ

После использования в течение первых 9 часов, пожалуйста, проверьте все части устройства, чтобы убедиться, что ничто не ослаблено или повреждено во время работы, и для проверки наличия видимых повреждений или утечек.

ТЕХНИЧЕСКОЕ ОБСЛУЖИВАНИЕ И УХОД

Срок службы и максимальная безопасность устройства обеспечивается надлежащим и своевременным техническим обслуживанием и уходом.

В следующей таблице приведен общий план технического обслуживания устройства. Временные интервалы технического обслуживания определяются, в значительной степени, условиями работы устройства. Временные интервалы должны быть сформированы персоналом, ответственным за поддержание устройства.



ВНИМАНИЕ!

Только после отключения устройства от источника тока вы можете выполнять следующие процедуры. Перед выполнением любых процедур по обслуживанию устройства, внимательно прочтите необходимые разделы инструкций по технике безопасности.

Все работы данного плана технического обслуживания или все дополнительное техническое обслуживание должно выполняться квалифицированным персоналом или при поддержке авторизованного сервисного центра.

Данное руководство демонстрирует только самые простые и наиболее распространенные процедуры технического обслуживания.

Для выполнения любой процедуры технического обслуживания, не указанной в этой таблице планового ремонта, обратитесь к руководству по техническому обслуживанию в сервисный центр.

ТАБЛИЦА-ПЛАН ПРОЦЕДУР ПРОФИЛАКТИЧЕСКОГО ОБСЛУЖИВАНИЯ

Процедура	Ежедневно, после использования устройства	Еженедельно	Каждые 6 месяцев	Ежегодно
Очистить щетку				
Очистить кисти/PAD-держатель				
Резервуар чистой воды и фильтр-поплавок, осмотр уплотнителя резервуара для воды				
Проверьте и измените полосы щетки				
Очистите фильтр для раствора				
Очистите вакуумный двигатель				
Проверьте герметичность гаек и болтов			(1)	
Проверьте или измените углеродный мотор кисти/PAD-держателя				(2)
Проверьте или измените положение углеродных щеток вакуумного двигателя				(2)

(1) Выполните это после 9-ти часов работы машины.

(2) Данные процедуры технического обслуживания должны выполняться авторизованным VIPER сервисным центром.

ОЧИСТКА ЩЕТКИ



ПРИМЕЧАНИЕ

Для поддержания оптимального эффекта водного вакуума, швабра должна содержаться в чистоте, и полосы швабры должны оставаться в хорошем состоянии.



ПРЕДУПРЕЖДЕНИЕ!

При очистке щетки, рекомендуется надеть защитные перчатки, так как швабра может содержать острые осколки.

1. Переместите устройство на ровную и гладкую поверхность..
2. Нажмите кнопку включения питания (38) и установите позицию “O”, для отключения устройства.
3. Отвинтите фиксированной ручкой (16) щетки; снимите разъем подключения трубки Восстановительного Вакуума и снимите щетку.
4. Используйте ручку для подъема швабры (14).
5. Очистите щетку (**Рисунок 10**). Очистите пазы (**A**, **Рисунок 10**) и остатки грязи с вакуумной трубки. Убедитесь, что переднее лезвие швабры (C) и заднее лезвие швабры (D) целы, и проверьте на наличие сколов и трещин. При необходимости измените их (см. шаги в следующем разделе).
6. Соберите швабру в обратном, указанному выше, порядке,.

ЗАМЕНА И ПРОВЕРКА ЛЕЗВИЯ ЩЕТКИ

1. После методов, показанных в предыдущем разделе, очистите щетку (**Рисунок 10**)
2. Проверьте края (**E**, **Рисунок 10**) лезвие передней щетки (F) и части лезвий задней щетки (D). Они должны быть на примерно одинаковом уровне по всей длине. В противном случае, отрегулируйте их длину посредством следующей процедуры:
 - Ослабьте зажим (G), чтобы задняя щетка (D) отделилась от кронштейна (M) для регулировки положения щетки. После регулировки вновь зафиксируйте зажим.
 - Ослабьте винт на ручке (I) для регулировки передних лезвий швабры (C); после регулировки затяните винт вновь.
3. Проверьте, если переднее лезвие щетки (C) и заднее лезвие щетки (D) на предмет наличия сколов и трещин. При необходимости, измените их в соответствии со следующими способами. Проверьте передний край задней щетки (J) на изношенность. Если он изношен, его можно установить задним краем, т.е наоборот (если он не поврежден). Если задний край также изношен, измените его, следуя приведенному ниже:
 - Ослабьте зажим (G), чтобы лезвие отделилось от кронштейна (M), снять зажим (K), а затем измените или переверните лезвие (D) наоборот. Установите на задней щетке в обратном порядке.
 - Ослабьте винт на ручке (I) и снимите передний зажим (L), а затем замените переднюю щетку(C).
Установите переднюю щетку на место, в обратном порядке действий..
После изменения лезвия щетки (или установки его наоборот) отрегулируйте уровень передних и задних лезвий швабры в соответствии с процедурами описанными выше.
4. Подключите Вакуумную трубку (11) к щетке.
5. Установите щетку и используйте ручку (16) для ее затяжки, а затем подключите Вакуумную рубку к щетке.
6. При необходимости, отрегулируйте щетки при помощи регулировочного маховика (20) (см. процедуры регулировки баланса щетки)

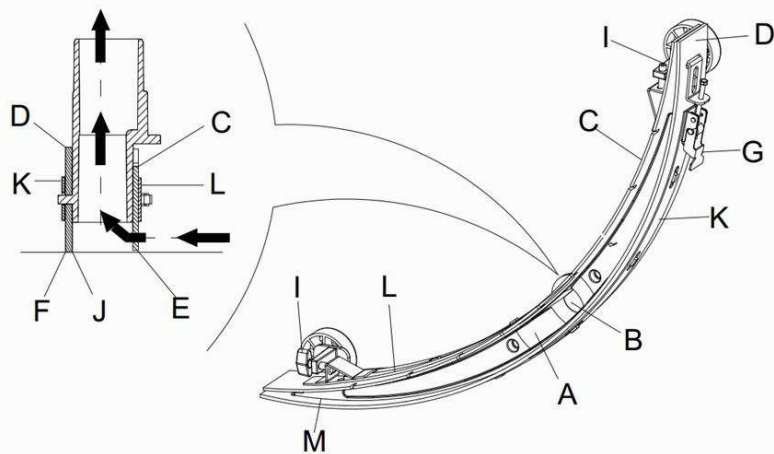


Рисунок 10

ОЧИСТКА КИСТИ/ПОЛИРОВАЛЬНОЙ ПОДУШКИ



ПРЕДУПРЕЖДЕНИЕ!

Процедуру очистки кисти/PAD-держателя необходимо выполнять в защитных перчатках, так как кисть может содержать острые осколки.

1. После методов, показанных в предыдущих разделах, снимите кисть/PAD-держатель..
2. Очистите кисть/PAD-держатель с помощью воды и моющих средств..
3. Проверьте щетинки кисти на полноту наличия и состояние изношенности. В случае необходимости, замените щетки.
4. Проверьте на состояние изношенности PAD-держателя и, при необходимости, замените PAD-держатель.

ОЧИСТКА РЕЗЕРВУАРА ДЛЯ ВОДЫ И ФИЛЬТРА-ПОПЛАВКА

1. Переместите устройство на выделенное для обработки место.
2. Нажмите кнопку включения питания (38) и установите ее в позицию “O” для отключение устройства.
3. Откройте резервуар для воды (A, Рисунок 11), и снимите поплавков устройства (36) из резервуара для грязной воды.
4. Используйте чистую воду для очистки крышки (A), резервуара (B и C), и опорной рамы фильтра-поплавка (E). Через отверстие трубы (15), слейте всю воду из резервуара.
5. При необходимости, возле символов “Open” и “Close” как показано на **рисунке 11**, отсоедините нижнюю крышку (F) от фильтра-поплавка и очистите поплавок (D), опорную раму (E), а также фильтр подушки (I). После очистки зафиксируйте фильтр-поплавков на опорной раме (E), а затем выровняйте паз (L) на нижней крышки (F) с пазом поплавкового фильтра (L) к опорной раме (E). Поверните нижнюю крышку (F) с точкой фильтра-поплавка и закрепите плотно фильтр к подушке (I) на опорную раму фильтра-поплавка (E), а затем на Вакуумную трубку (M).
6. Проверьте герметичность уплотнительного кольца (G) крышки резервуара с водой..



ПРИМЕЧАНИЕ

Уплотнительные полосы (G) резервуара для воды служат в качестве прокладок, для создания вакуума. Резервуар должен быть полностью герметичным, чтобы иметь возможность эффективно собирать сточные воды с пола.

Если необходимо, герметизирующие ленты из резервуара для воды (G) могут быть сняты из паза (H) и изменены. При сборке нового резервуара для воды уплотнительную полосу, как показано на **рисунке 11** ниже, установите разъем в среднюю секцию задней части.

7. Убедитесь, что поверхность уплотнительной полосы (G) не повреждена и функциональна..
8. Закройте крышку резервуара (A).

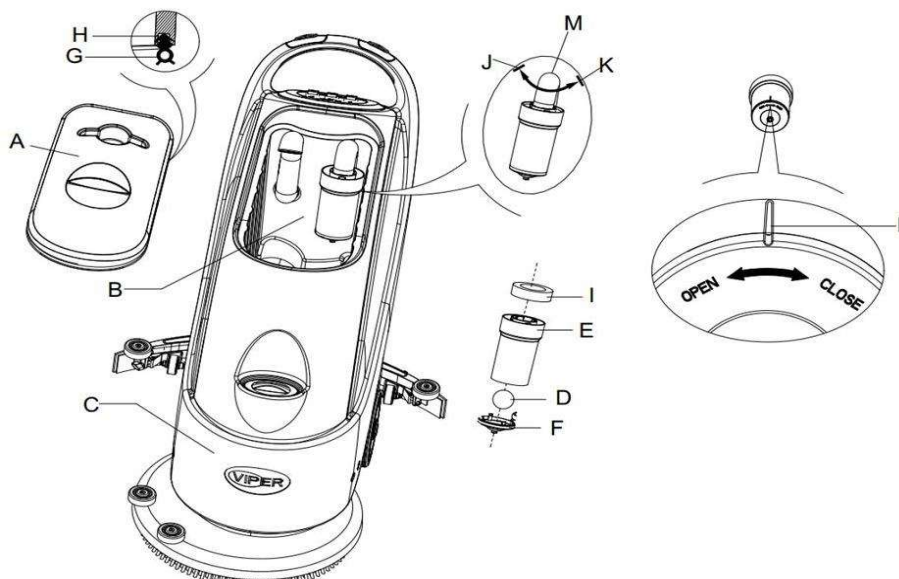


Рисунок 11

ОЧИСТКА ФИЛЬТРА ДЛЯ РАСТВОРА

1. Слейте всю воду из резервуара для раствора, согласно описанию, указанному в соответствующих разделах.
2. Переместите устройство на ровную и гладкую поверхность.
3. Нажмите кнопку включения питания (38) и установите ее в позицию "O" для отключения устройства.
4. Отключите шаровой клапан слива (A, Рисунок 12) (расположенный в нижней части устройства, позади колеса). В позиции B шаровой клапан открыт, а в позиции C шаровой клапан закрыт.
5. Снимите прозрачную крышку (D), затем снимите фильтр (E), и установите его в поле фильтра (F) после очистки.



ПРИМЕЧАНИЕ

Фильтр (E) должен быть аккуратно установлен на проецируемую позицию (G).

6. Откройте слив шарового клапана (A).

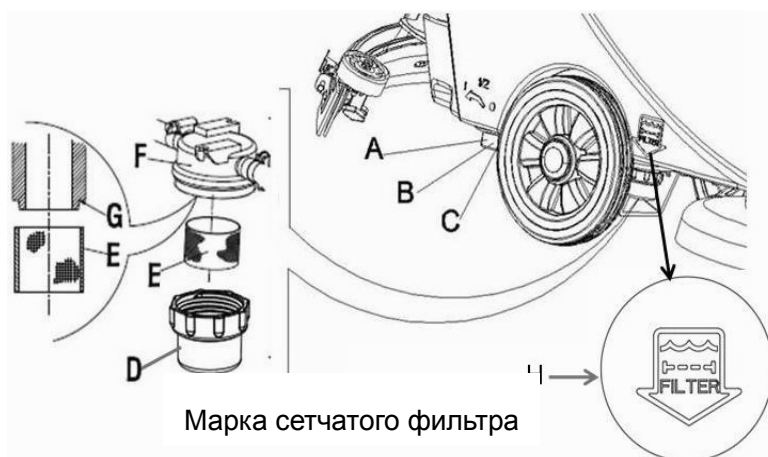
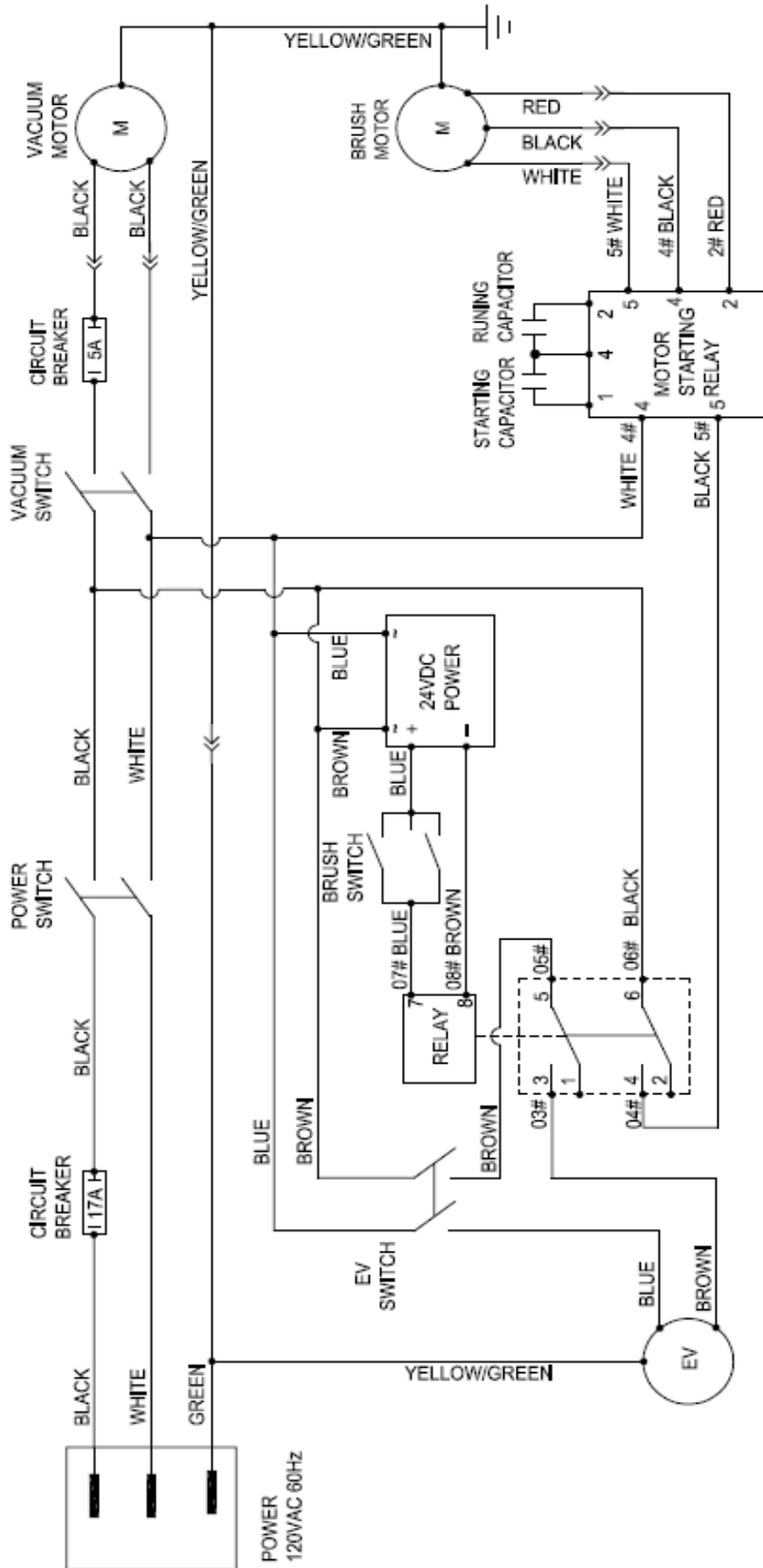


Рисунок 12

СХЕМА ТОКА УСТРОЙСТВ AS430C И AS510C



УСТРАНЕНИЕ НЕИСПРАВНОСТЕЙ

Поломка	Возможные причины	Пути решения
Устройство не работает	Неправильно подключен или поврежден провод	Проверьте проводку или свяжитесь с дистрибьютором компании Viper
	Поломка двигателя щетки	Свяжитесь с дистрибьютором компании Viper
	Износ углеродной щетки	Свяжитесь с дистрибьютором компании Viper
Не работает двигатель пылесоса	Неправильно подключен или поврежден провод	Проверьте проводку или свяжитесь с дистрибьютором компании Viper
	Поломка двигателя щетки	Свяжитесь с дистрибьютором компании Viper
	Износ углеродной щетки	Свяжитесь с дистрибьютором компании Viper
Слабый напор (отсутствие напора) раствора	Поломка шарового клапана	Свяжитесь с дистрибьютором компании Viper
	Поломка клапана раствора	Свяжитесь с дистрибьютором компании Viper
	Неправильная позиция клапана, требует настройки	При клапане в горизонтальной позиции, подача раствора сильным напором
	Загрязнение фильтра	Очистите фильтр
Неправильная работа пылесоса	Переполнен резервуар отходов	Опустошите резервуар
	Вакуумная трубка для отходов швабры подсоединена неправильно	Правильно подсоедините вакуумную трубку
	Заблокирован плавающий фильтр и отверстие выхода	Очистите фильтр, проверьте поплавков
	Грязная щетка швабры, высокий износ или повреждения	Очистите и проверьте швабру
	Крышка резервуара неправильно прилегает, повреждена изоляция резервуара с водой	Правильно закрепите крышку, смените изоляцию резервуара
Швабра оставляет следы	Мелкий мусор в щетке швабры	Удалите мусор
	Щетка швабры изношена, треснута, поломана.	Замените щетку швабры
	Не настроен баланс швабры	Настройте баланс

УТИЛИЗАЦИЯ УСТРОЙСТВА

Используйте качественную дробилку, для уничтожения этого устройства.

Перед уничтожением этого устройства, уберите в сторону и отделите следующие материалы, которые согласно соответствующим законам и правилам, должны быть обработаны надлежащим образом.

- Кисть/PAD-держатель
- Пластиковые шланги и пластиковые компоненты
- Электрические и электронные компоненты (*)

(*): Пожалуйста, обратитесь в ближайший сервисный центр VIPER (наиболее важно при утилизации электрических и электронных компонентов).

СЪДЪРЖАНИЕ

ВЪВЕДЕНИЕ	203
СЪДЪРЖАНИЕ НА РЪКОВОДСТВОТО	203
ЦЕЛ	203
РЕЗЕРВНИ ЧАСТИ И ПОДДРЪЖКА	203
ПРОМЕНИ И ПОДОБРЕНИЯ	203
ОБЛАСТ НА ПРИЛОЖЕНИЕ	203
РАЗОПАКОВАНЕ/ ТРАНСПОРТ	203
ОБЩИ НАСОКИ ЗА БЕЗОПАСНОСТ	204
ТЕХНИЧЕСКИ ДАННИ	205
ОПИСАНИЕ НА УРЕДА	205
УСТРОЙСТВО НА УРЕДА.....	205
ПАНЕЛ ЗА УПРАВЛЕНИЕ	206
РЪКОВОДСТВО ЗА УПОТРЕБА	207
ПРЕДИ СТАРТИРАНЕ НА МАШИНАТА	207
МОНТАЖ И ДЕМОНТАЖ НА ЧЕТКАТА / НАКТАЙНИКА С ПОДЛОЖКАТА	207
БАЛАНСИРАНЕ НА ГУМЕНИЯ НАКРАЙНИК.....	207
РЕЛУЛИРАНЕ НА ПРИТОКА НА ВОДА	208
СТАРТИРАНЕ И СПИРАНЕ НА ПОДОЧИСТАЧКАТА.....	208
ЕКСПЛУАТАЦИЯ НА ПОДОЧИСТАЧКАТА (ПОЧИСТВАНЕ И ПОДСУШАВАНЕ)	209
ИЗТОЧВАНЕ НА РЕЗЕРВОАРИТЕ	209
СЛЕД УПОТРЕБА НА УРЕДА.....	210
ПЪРВИ ПЕРИОД НА УПОТРЕБА	210
ПОДДРЪЖКА И ОБСЛУЖВАНЕ	210
ТАБЛИЦАТА С ГРАФИКА ЗА ПОДДРЪЖКА.....	211
ПОЧИСТВАНЕ НА ГУМЕНИЯ НАКРАЙНИК.....	211
ПРОВЕРКА И СМЯНА НА ЧИСТАЧКИТЕ НА ГУМЕНИЯ НАКРАЙНИК.....	211
ПОЧИСТВАНЕ НА ПОДЛОЖКАТА	212
ПОЧИСТВАНЕ НА РЕЗЕРВОАРА И ЦЕДКАТА НА ФИЛТЪРА НА ПОПЛАВЪКА	212
ПОЧИСТВАНЕ НА ФИЛТЪРА ЗА РАЗТВОРА	213
ЕЛЕКТРИЧЕСКА СХЕМА НА МОДЕЛИТЕ AS430C И AS510C	214
РАЗРЕШАВАНЕ НА ПРОБЛЕМИ	215
БРАКУВАНЕ НА УРЕДА	215

ВЪВЕДЕНИЕ



ЗАБЕЛЕЖКА

Цифрите в скоби се отнасят към съответните компоненти, описани в глава "Описание на уреда".

СЪДЪРЖАНИЕ НА РЪКОВОДСТВОТО

Настоящото ръководство има за цел да предостави на оператора цялата необходима информация за правилната и безопасна експлоатация на уреда. В това число технически данни, информация за безопасността, експлоатацията, съхранението, поддръжката и бракуването на уреда. Операторът и техниците с необходимата квалификация трябва да прочетат внимателно това ръководство, преди да пристъпят към дейностите по експлоатация и поддръжка на уреда. При необходимост от разяснения или по-подробна информация, моля свържете се с Вайпър.

ЦЕЛ

Целта на ръководството е да улесни оператора и квалифицирания технически персонал при извършване на поддръжката на уреда.

Операторът не бива да извършва дейности, които са в компетенциите на техническия персонал. Вайпър не носи отговорност за щети, нанесени поради неспазване на това правило.

РЕЗЕРВНИ ЧАСТИ И ПОДДРЪЖКА

Всички процедури, необходими за работата, поддръжката и ремонта, трябва да се извършват от квалифициран персонал или в Сервизните центрове на Вайпър.

Да се използват само оригинални резервни части и аксесоари.

В случай на необходимост от сервизиране или поръчка на резервни части или аксесоари, моля свържете се с Вайпър, като предоставите модела и серийните номера на уреда.

ПРОМЕНИ И ПОДОБРЕНИЯ

Вайпър непрекъснато подобрява своите продукти. Вайпър си запазва правото да променя и подобрява уредите, както и да преценява дали подобренията и промените са проложими за вече продадените уреди. Всички промени или позлването на допълнителни аксесоари трябва да бъде съгласувано с Вайпър и извършено от фирмата.

ОБЛАСТ НА ПРИЛОЖЕНИЕ

Подочистачката е предназначена за ползване в битова или промишлена среда и е подходяща за почистване на гладки и твърди подови настилки (почистване и изсмукване на мръсната вода). Уредът трябва да се използва от квалифицирани оператори в безопасна среда. Подочистачката не бива да се ползва на открито, върху килими или относително груби настилки.

РАЗОПАКОВАНЕ/ ТРАНСПОРТ

Моля спазвайте точно указанията за опаковане и разопаковане.

След като стоката е доставена, огледайте опаковката и уреда и се уверете, че няма транспортни дефекти. Ако има видими наранявания, запазете оригиналната опаковка и помолете доставчика да попълни списък с щетите, който да бъде представен за компенсация.

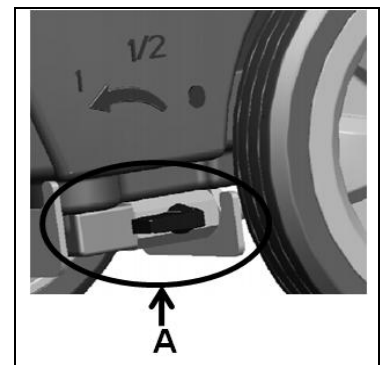


— ВНИМАНИЕ

При разопаковане и разтоварване или при преместване на уреда по стъпала, избягвайте удари по ключа за пускане/спиране, който регулира потока на водата, Част А на фигурата вдясно.

Проверете дали следните компоненти са налични:
Техническа документация

— Ръководство на потребителя за подочистачката



ОБЩИ НАСОКИ ЗА БЕЗОПАСНОСТ

Следните предупреждения и забележки имат за цел да предотвратят възможни щети (за персонала и за уреда).

**ВНИМАНИЕ!**

- Уредът може да се използва само под насоките на това ръководство. Да се използват само аксесоари, одобрени от Вайпър.
- Уредът трябва да се експлоатира само от надлежно обучен или упълномощен персонал. Да не се използва от деца или неподготвени хора.
- Не носете бижута, когато работите с електрическите компоненти. Вземете всички необходими мерки, така че да избегнете косата, бижутата или дрехите ви да бъдат захванати от движещите части на уреда.
- Не използвайте уреда в особено замърсени помещения. Не мийте уреда директно с вода. Предотвратявайте контакта с корозивни течности.
- Работната температура и температурата на сухранение трябва да бъде в интервала 0 - 40°C.
- Влажността на въздуха трябва да варира между 30% - 105%.
- Не използвайте уреда при повърхности с наклон по-голям от 2%.
- В случай на пожар, моля използвайте сухи пожарогасители. Не използвайте течни пожарогасители.
- Обърнете специално внимание при транспортиране на уреда в случаите, когато температурата е под нулата. Водата в резервоарите и маркучите може да замръзне и да причини сериозни повреди.
- Четките и подложките, предоставени с уреда са описани в Ръководството на потребителя. Използването на друг вид четки или подложки може да навреди на безопасността.
- При поява на дефект, моля уверете се, че причината не е в липсата на поддръжка. Ако е причинен от други фактори, моля потърсете съдействие от упълномощен персона или Сервизен център.
- Ако е необходима подмяна на части, поръчвайте оригинални резервни части от упълномощени дистрибутори или представители.
- За да гарантирате безопасната и правилна работа на уреда, осигурете извършването на планово техническо обслужване от упълномощен персонал или Сервизен център в съответствие с програмите за поддръжка в съответните раздели на ръководството.
- Уредът трябва да бъде бракуван правилно поради наличието на отровни и опасни вещества, като те трябва да бъдат изхвърлени в специални депа според съответните закони и актове (виж раздел Бракуване на уреда).

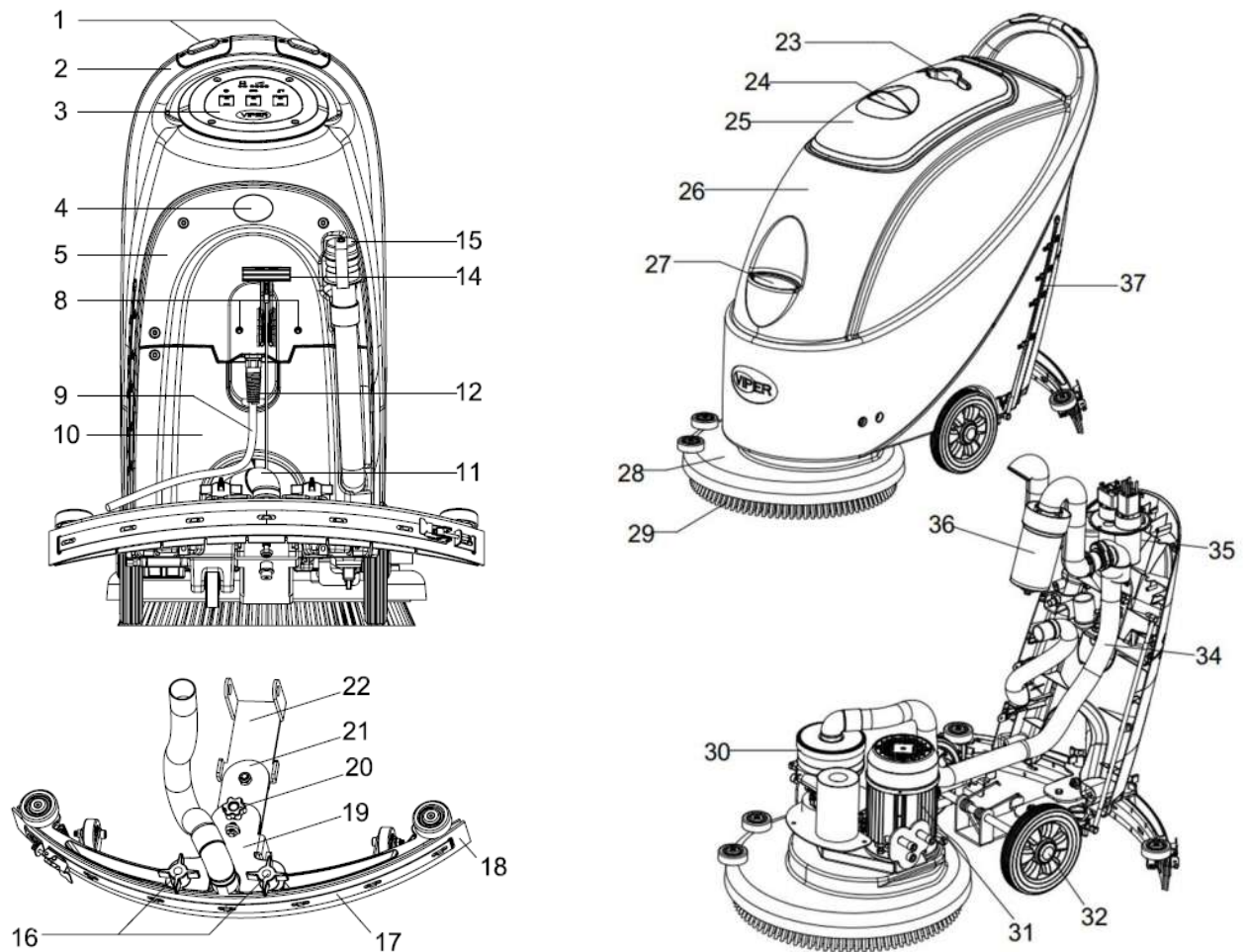
ТЕХНИЧЕСКИ ДАННИ

Модел	AS430C	AS510C
Височина на уреда	980mm	
Вместимост на контейнера за разтвор	50 l	
Вместимост на резервоара за мръсна вода	50 l	
Диаметър на задвижващите колела	200mm	
Диаметър на водещите колела	63.5mm	
Мощност на мотора на прахосмукачката	400w	
Максимален наклон	2%(Max)	
Ниво на шум	72dB(A) ±3dB(A)	
Дължина на кабела	20m	
Смукателна сила	1200 mm H2O	
Максимален обхват на почистване	430mm	510mm
Широчина на гумения накрайник	730mm	790mm
Максимална дължина	1060mm	1100mm
Широчина без гумения накрайник	480mm	540mm
Диаметър на четката	430mm	510mm
Тегло с празни резервоари.	70kg	74kg
Бруто тегло на уреда, готов за употреба	120kg	124kg
Мощност на мотора на четката	750W	
Скорост на четката	150rpm	
Максимално налягане на четката/накрайника с подложката	32kg (Max)	35kg(Max)
Размери с опаковката (Lx W x H)	1200 x 610 x 1170mm	

ОПИСАНИЕ НА УРЕДА**УСТРОЙСТВО НА УРЕДА**

1. Бутон на предпазителя
2. Кормилен лост
3. Панел за управление
4. Табелка със серийния номер/технически данни / Удостоверение за съответствие
5. Капак за наблюдение
6. (не е наличен)
7. (не е наличен)
8. Ключ за възстановяване на настройките
9. Захранващ кабел
10. Капак на акумулатора
11. Смукателна тръба за отпадъци
12. Кабел за теглене на гумения накрайник
13. (не е наличен)
14. Лост за повдигане на гумения накрайник
15. Маркуч за източване
16. Бутон за гумения накрайник
17. Щипка за гумения накрайник
18. Чистачки на гумения накрайник
19. Носеща рамка на гумения накрайник
20. Волан за управление на гумения накрайник
21. Задна носеща рамка на гумения накрайник
22. Предна носеща рамка на гумения накрайник
23. Поставка за чаши
24. Дръжка на капака на резервоара за мръсна вода
25. Капак на резервоара за мръсна вода
26. Корпус на резервоара
27. Капак за притока на вода
28. Накрайник с четка
29. Четка/ накрайник с подложка
30. Мотор на прахосмукачката
31. Мотор на четката
32. колело 8"
33. (не е наличен)
34. Смукателна тръба
35. Електрическо табло
36. Филтър на подплавъка
37. Тръба за нивото на водата (показва количеството вода в Контейнера за разтвора)

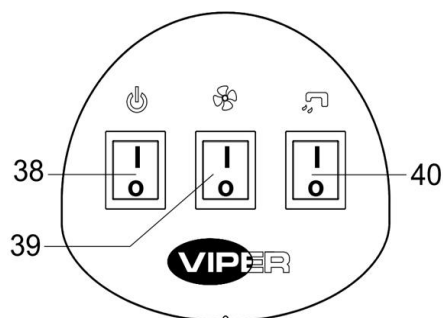
СХЕМИ НА УСТРОЙСТВОТО НА УРЕДА



Фигура 1

ПАНЕЛ ЗА УПРАВЛЕНИЕ (Фигура2)

- 38. Бутон за включване
- 39. Бутон за прахосмукачката
- 40. Бутон на електромагнитната клапа



Фигура 2

РЪКОВОДСТВО ЗА УПОТРЕБА



ПРЕДУПРЕЖДЕНИЕ

Върху някои части на уреда са поставени указателни табели:

- ОПАСНОСТ
- ПРЕДУПРЕЖДЕНИЕ
- ВНИМАНИЕ
- СЪВЕТ

Операторът трябва да обърне специално внимание на символите на тези табели, докато чете ръководството.

В никакъв случай не закривайте табелите. Ако те са повредени, подменете ги незабавно.

ПРЕДИ СТАРТИРАНЕ НА МАШИНАТА

МОНТАЖ И ДЕМОНТАЖ НА ЧЕТКАТА / НАКРАЙНИКА С ПОДЛОЖКАТА



ЗАБЕЛЕЖКА

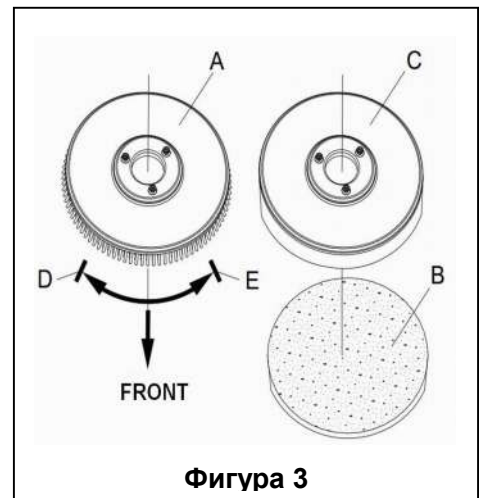
Според вида на настилката машината може да бъде оборудвана с четка (Фигура 3, А) накрайник с подложка (Фигура 3, В и С).



ВНИМАНИЕ!

При монтиране или демонтиране на четката/ накрайника на подложката най-напред проверете дали всички ключове са в изключено положение и вдигнете гумения накрайник от пода. Едва след това можете да работите с четката или накрайника с подложката. Освен това носете защитни ръкавици, за да предотвратите порязвания.

1. (Важи само за модели **AS430C** и **AS510C**): уверете се, че захранващият кабел (9) е в изключено положение (O), като изключите захранването и прекъсвача (38)
2. Натиснете кормилния лост (2) надолу, за да повдигнете корпуса на резервоара (26).
3. Поставете четката (А) или накрайника с подложката (В – С) под кожата.
4. Използвайте кормилния лост (2), за да свалите корпуса на резервоара (26), които да се доближи до четката/ накрайника на подложката.
5. За да монтирате четката/ накрайника на подложката автоматично, завъртете бутона за включване (38) в положение "I" и натиснете предпазителя (1) надолу. Внимателно бутнете уреда напред, така че ролката от долната страна на корпуса на резервоара да се изравни с четката/ накрайника на подложката, които да монтирате. Отпуснете предпазителя. Ако е необходимо, повторете процедурата.
6. Ако Стъпка 5 ви затруднява, използвайте ръчния метод, като следите стрелките (D), за да монтирате четката/ накрайника на подложката (както е показано на **Фигура 3**).
7. За да демонтирате четката/ накрайника на подложката автоматично, завъртете бутона за включване (38) в положение "O". Задръжте кормилния лост и натиснете уреда надолу, докато водещото колело докосне пода, а четката/ накрайника на подложката увисне във въздуха. Завъртете бутона за включване (38) в положение "I" и натиснете предпазителя надолу, като позволите четката или накрайника на подложката, докато слезе до долу.
8. Ако Стъпка 7 ви затруднява, използвайте ръчния метод, като завъртите четката/ накрайника на подложката в посока обратна на нормалната посока на въртене. След това можете да я демонтирате. (както е показано на **Фигура 3**).

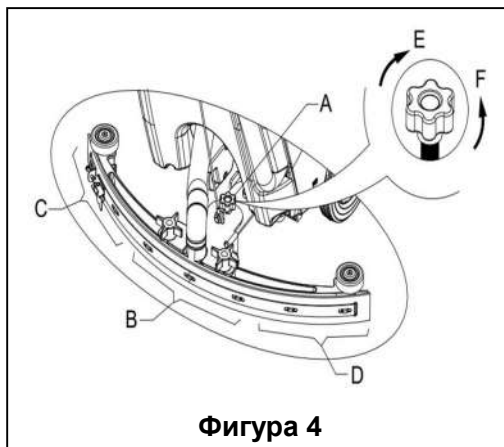


Фигура 3

БАЛАНСИРАНЕ НА ГУМЕНИЯ НАКРАЙНИК

9. Монтирайте гумения накрайник и гозатегнете добре на дръжката (16). Включете смукателната тръба (11) за отпадъците към гумения накрайник.
10. Настройте гумения накрайник посредством лоста за регулиране (А) (виж **Фигура 4**).

- 1) Ако средната част на задната гумена лента, част В, е на разстояние от пода или притискателната сила е относително слаба, завъртете лоста в посока обратна на часовниковата стрелка докато лентата докосне пода по цялата си дължина. Предната гумена лента трябва едва да докосва пода.
- 2) Ако двата края на гумената лента, части С и D, е на разстояние от пода или притискателната сила е относително слаба, завъртете лоста в посока на часовниковата стрелка докато лентата прилепне към пода по цялата си дължина. Предната гумена лента трябва едва да докосва пода.



Фигура 4

Пълнене на контейнера с развора



ВНИМАНИЕ!

Използвайте само незапалими препарати, които не образуват обилна пяна.

Препаратите трябва да са подходящи за използване за подочистачки.

11. Отворете капака на отвора за водата (27) и налейте вода в контейнера за развора. Не препълвайте контейнера. Достатъчно е да напълните до ръба на филтъра или до отвора за водата. Съобразявайте химическите свойства на препаратите при приготвяне на развора. Имайте предвид, че температурата на водата не бива да надвишава 40° С.

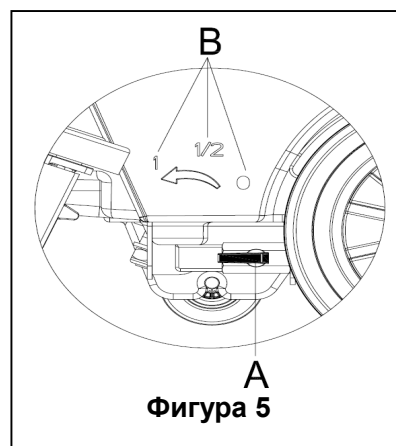
РЕЛУИРАНЕ НА ПРИТОКА НА ВОДА



ПРЕДУПРЕЖДЕНИЕ!

Регулиране на лоста на сферичния кран (А, Фигура 5) трябва да се извърши при условие, че бутона за включване (38) е в положение "О".

12. Потокът на водата може да се регулира посредством сферичен кран (А, Фигура 5) според количеството вода, необходимо за почистване на подовата настилка.



Фигура 5

СТАРТИРАНЕ И СПИРАНЕ НА ПОДОЧИСТАЧКАТА

Стартиране

1. Изпълнете стъпките, както е указано по-горе.
2. Включете захранващия кабел (9) към контакт с подходящо напрежение и натиснете бутона за включване (38) в положение "I".
3. Използвайте лоста, за да свалите надолу гумения накрайник (14).
4. Натиснете ключа за смукателната тръба (39) в положение "I".
5. Натиснете ключа за регулиране на водния поток (40) в положение "I". (Използвайте едновременно и с предпазителя (1), за да регулирате магнитния клапан.)
6. Задръжте предпазителя (1) и бутнете уреда напред. Четката (29) започва да се върти и уредът започва да почиства.



КОНСУЛТАЦИЯ: Начин за придвижване на подочистачката

Едно от предимствата на уреда е наличието на два предпазителя от двете страни на кормилния лост. Всеки от тях независимо контролира движението на четката. По време на работа това улеснява експлоатацията на уреда.

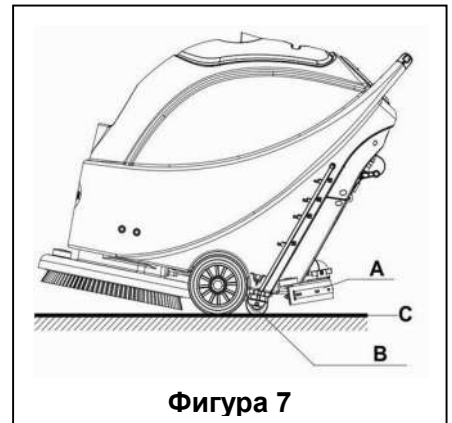
Опитът показва, че методът за придвижване на уреда, показан на Фигура 6, е по-удобен. Разположението на ръцете е по-естествено, което намалява умората. Препоръчително е операторите да придвижват уреда по този начин.



Фигура 6

Изключване

7. След като почистването е приключило, най-напред демонтирайте четката/ накрайника на подложката (проверете стъпките в раздел "Монтаж и демонтаж на четката/накрайника на подложката")
8. Отпуснете предпазителя (1), за да изключите четката/ накрайника на подложката и магнитния клапан.
9. Натиснете ключа на смукателната помпа (39) в положение "О". Смукателната помпа ще се спре след 5 секунди.
10. Натиснете ключа за регулиране на водния поток (40) в положение "О", за да спрете напълно магнитния клапан.
11. Натиснете бутона за включване (38) в положение "О". И изключете кабела (9) от контакта.
12. Използвайте лоста (14), за да повдигнете гумения накрайник.
13. Хванете кормилния лост (2) и леко наклонете уреда назад, докато водещото колело (В) докосне пода. Виж **Фигура 7**



Фигура 7

ЕКСПЛУАТАЦИЯ НА ПОДОЧИСТАЧКАТА (ПОЧИСТВАНЕ И ПОДСУШАВАНЕ)

1. Стартирайте уреда според описанието по-горе.
2. Задръжте предпазителя (1) (както е показано на **Фигура 6**), придвижете уреда напред и започнете почистването.
3. Ако е необходимо, изключете уреда и регулирайте лоста на гумения накрайник. (Проверете стъпките за балансиране на гумения накрайник)
4. Ако е необходимо, изключете уреда и регулирайте водния поток посредством сферичен кран. (Проверете стъпките за регулиране на водния поток.)

**ВНИМАНИЕ!**

За да предотвратите наранявания на подовата настилка, изключвайте от бутона (38), когато оставяте уреда на едно място.

ИЗТОЧВАНЕ НА РЕЗЕРВОАРИТЕ

Когато резервоарът за мръсна вода е пълен, поплавъкът на блокиращата тапа (36) ще блокира смукателната помпа. Внезапното усилване на шума от смукателната помпа сигнализира за претоварването на помпата и резервоарът за мръсна вода трябва незабавно да се източи.

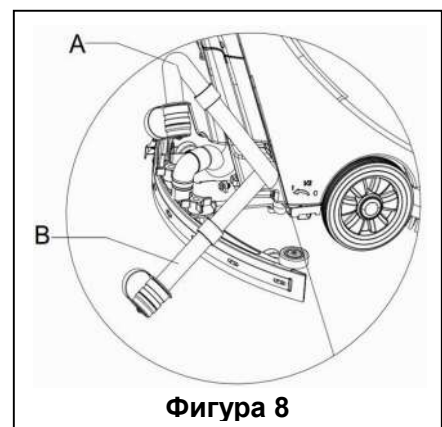
**ВНИМАНИЕ!**

Ако смукателната помпа се изключи внезапно (например при рязкото преместване на уреда, което активира блокиращата тапа), изпълнете следните стъпки с цел подновяване на работата: натиснете бутона за включване (38 и 39), за да спрете захранването и смукателната помпа и отворете капака на резервоара за мръсна вода (25), за да проверите дали поплавъка и филтъра са се върнали на повърхността. Затворете капака на резервоара за мръсна вода (25), и натиснете бутона за включване (38 и 39), за да включите захранването и смукателната помпа.

Когато резервоарът се напълни с мръсна вода, следвайте инструкциите, за да го източите.

Източване на резервоара за мръсна вода

1. Изключете уреда.
2. Повдигнете гумения накрайник посредством лоста (14).
3. Закарайте машината в определеното за изливане на отработената вода място.
4. Хванете кормилния лост (2) и леко наклонете уреда назад, докато водещото колело (В) докосне пода. (За фиксиране на уреда, проверете процедурата, описана в раздела "Изключване на уреда".)
5. Извадете маркуча за източване от фиксиращара скона, огънете горната част на маркуча (както е показано в **А**, **Фигура 8**), и отворете тапата на маркуча, наведете го до сифона и източете водата. Ако предпочитате, директно поставете маркуча възможно най-ниско до земята и обърнете отвора за водата надолу (както е показано в **В**, **Фигура 8**), след това отворете тапата за източване и изпразнете резервоара. След като източите напълно, изплакнете резервоара с чиста вода.



Фигура 8

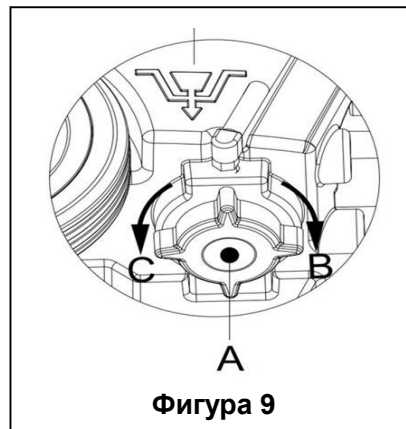
**ВНИМАНИЕ!**

При източване на отпадната вода, смукателната тръба за отпадъците трябва да бъде прегъната или поставена ниско (както е показано на Фигура 8 А или В), след това отворете тапата на смукателната тръба, за да изтече мръсната вода. Не обръщайте отвора на смукателната тръба за отпадъците нагоре, за да тече водата вертикално. Целта е да се избегне разливането на мръсна вода.

Източване на контейнера за разтвора

6. Изпълнете Стъпки от 1 до 4.

7. Както е посочено на **Фигура 9**, отворете капака на контейнера за разтвора (А) обратно на часовниковата стрелка в посока С, и източете контейнера. Изплакнете контейнера с чиста вода. След това затегнете капака на контейнера за разтвора (А) по посока на часовниковата стрелка в посока В.

**СЛЕД УПОТРЕБА НА УРЕДА**

След приключване на работа и преди да приберете уреда, изпълнете следните стъпки:

1. Следвайте процедурата, описана в предходния раздел, относно монтажа/ демонтажа на четката/ накрайника на подложката.
2. Следвайте процедурите, описани в съответните раздели, източете напълно и двата резервоара.
3. Изпълнете процедурите по ежедневната поддръжка (виж глава "Поддръжка").
4. Приберете уреда, включително четката/ накрайника на подложката и гумения накрайник, на сухо и чисто място. Гуменият накрайник трябва да бъде вдигнат и демонтиран.

ПЪРВИ ПЕРИОД НА УПОТРЕБА

След първите 9 часа на употреба, проверете всички части, както и дали свързващите елементи са добре затегнати; освен това проверете дали видимите части са цели и има ли течове.

ПОДДРЪЖКА И ОБСЛУЖВАНЕ

Продължителността на живот и нейната безопасна работа зависят от правилната и редовна поддръжка.

Таблицата по-долу предоставя график на интервалите по поддръжката. Показаните интервали могат да варират в зависимост от конкретните условия на работа. Те трябва да се определят от човека, който е ангажиран с поддръжката.

**ПРЕДУПРЕЖДЕНИЕ!**

Процедурите трябва да се извършат, след като машината бъде изключена. Също така, внимателно прочетете инструкциите в глава "Безопасност" преди да извършите каквато и да е дейност по поддръжката/ремонта.

Всички процедури по поддръжката, били те по график или извънредни, трябва да се извършват от квалифициран персонал или от упълномощен сервизен център.

Това ръководство описва само най-лесните и най-често прилагани процедури по поддръжката. За другите процедури по поддръжката, показани в Таблицата с график за поддръжка, направете справка в инструкциите за сервизно обслужване, които са достъпни във всеки сервизен център.

ТАБЛИЦАТА С ГРАФИКА ЗА ПОДДРЪЖКА

Процедура	Ежедневно непосредствено след употреба	Ежеседмично	На всеки 6 месеца	Ежегодно
Почистване на гумения накрайник				
Почистване на четката/ накрайника на подложката				
Почистване на резервоарите и филтъра на поплавъка, проверка на гарнитурите на резервоарите				
Проверка и смяна на лентата на гумения накрайник				
Почистване на филтъра на разтвора				
Почистване на филтъра на смикателния мотор				
Проверка за натягането на винтовете и гайките			(1)	
Проверка и смяна на карбонотвата четка на мотора на четката/ накрайника на подложката				(2)
Проверка и смяна на карбоновата четка на на смукателния мотор				(2)

(1) Трябва да се извърши след първите 9 работни часа.

(2) Тази процедура по поддръжката трябва да се направи от официален сервизен център на Вайпър.

ПОЧИСТВАНЕ НА ГУМЕНИЯ НАКРАЙНИК



ЗАБЕЛЕЖКА

За запазване на оптимален ефект от почистването, гуменият накрайник трябва да е чист и лентите трябва да са в добро състояние, за да се получи добро подсушаване.



ВНИМАНИЕ!

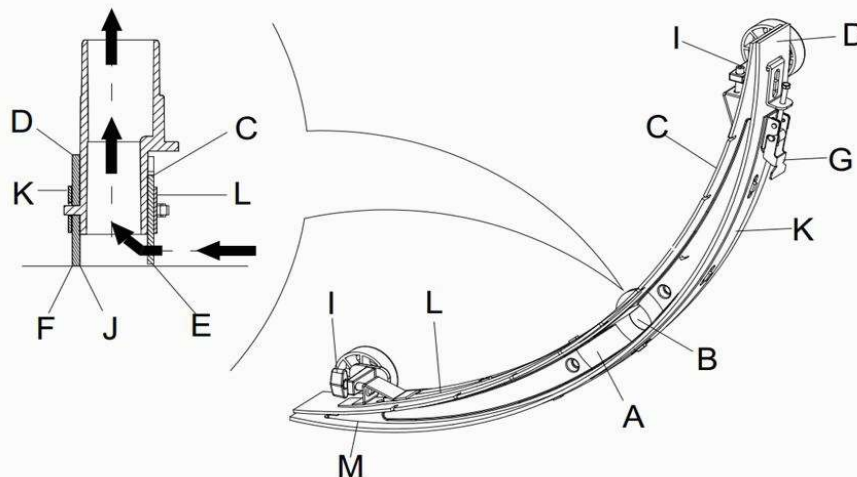
Препоръчително е да се носят защитни ръкавици при почистването на ракела, защото по нея може да има остри предмети.

1. Поставете уреда на нивото на пода.
2. Натиснете бутона за включване (38) в положение "O", за да изключите уреда.
3. Развийте фиксиращия лост (16) на гумения накрайник; свалете конектора на смукателната тръба за отпадъците от накрайника и го демонтирайте.
4. Използвайте повдигащия лост (14) за да повдигнете носещата рамка на гумения накрайник.
5. Почистете гумения накрайник (**Фигура 10**). Почистете добре отвора (**A, Фигура 10**) и отстранете замърсяванията от смукателната тръба. Проверете дали предната (C) и задната чистачка (D) са в добро състояние - без разкъсвания и напуквания. Ако е необходимо, подменете ги (следвайки стъпките в следващия раздел).
6. Монтирайте гумения накрайник, следвайки стъпките в обратен ред.

ПРОВЕРКА И СМЯНА НА ЧИСТАЧКИТЕ НА ГУМЕНИЯ НАКРАЙНИК

1. Почистете гумения накрайник, както е описано в предходния параграф (**Фигура 10**).
2. Проверете дали ръбовете (**E, Фигура 10**) на предната чистачка и ръбовете (F) на задната чистачка (D) са на едно и също ниво по цялата си дължина. Ако не са подравнени, регулирайте височината им според описаната процедура.
 - Разхлабете обтегача (G), за да освободите задната чистачка (D) от пристягащата скоба (M), за да регулирате позицията ѝ. След това затворете обтегача отново.
 - Разхлабете винта на дръжката (I), за да регулирате предната чистачка (C); след това отново затегнете винта.
3. Проверете дали предната (C) и задната чистачка (D) са в добро състояние - без разкъсвания и напуквания. Ако е необходимо, подменете ги по един от следните начини. Проверете дали предният край на задната чистачка (J) е износен. Ако е износен, обърнете го наопаки (горните краища трябва да бъдат здрави). Ако другите краища също са износени, сменете лентата като следвате тази процедура:

- Разхлабете обтегача (G), за а освободите притискателната чистачка от пристягащата скоба (M) , свалете придържащата лента (K), след което сменете ило обърнете задната чистачка (D) наопаки. Поставете чистачката в обратния ред на демонтажа.
 - Разхлабете винта на дръжката (I) и свалете предната придържаща лент(L), едва след това сменете предната чистачка (C). Поставете чистачката в обратния ред на демонтажа. След смяната (или обръщането) на острието регулирайте височината както е показано в предишните стъпки.
4. Свържете смукателната тръба (11) към гумения накрайник.
 5. Монтирайте гумения накрайник и използвайте бутона (16), за да го затегнете. След това свържете смукателната тръба.
 6. Ако е необходимо, регулирайте баланса на гумения накрайник чрез кормилото (20) (проверете процедурите за балансване на гумения накрайник).



Фигура 10

ПОЧИСТВАНЕ НА ПОДЛОЖКАТА



ВНИМАНИЕ!

Препоръчително е да се носят защитни ръкавици при почистването на четката/парцала, защото потях може да има остри остатъци

1. Свалете четката/ накрайника на подложката, както е описано в предните раздели.
2. Почистете четката/ накрайника на подложката с вода и почистващ препарат.
3. Проверете дали четката е повредени или износена; ако е необходимо я сменете.
4. Проверете дали накрайника на подложката е повреден или износен; ако е необходимо го сменете.

ПОЧИСТВАНЕ НА РЕЗЕРВОАРА И ЦЕДКАТА НА ФИЛТЪРА НА ПОПЛАВЪКА

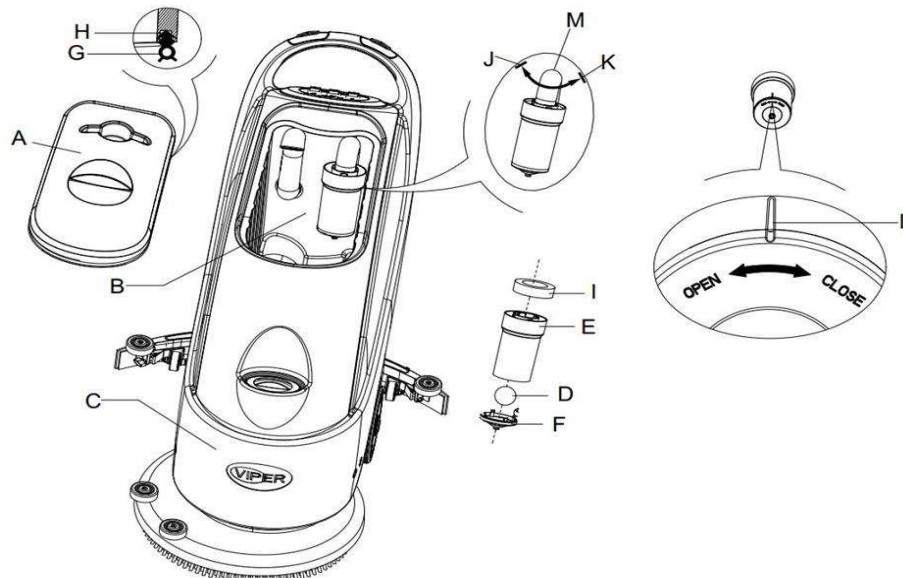
1. Закарайте машината в определеното за изливане на отработената вода място.
2. Натиснете бутона за включване (38) на позицията "O" и изключете уреда.
3. Отворете капака на резервоара за мръсна вода (A, Фигура 11) и свалете блокиращата тапа (36).
4. Изплакнете капака на резервоара за мръсна вода (A), резервоара (B и C) и носещата рамка на филтъра на поплавъка (E) с чиста вода. Източете водата от резервоара с помощта на източващата тръба (15).
5. Ако е необходимо, следвайте символите "Отворено" и "Затворено", както е показано на Фигура 11, отворете долната тапа (F) на филтъра на поплавъка и почистете поплавъка (D), носещата рамка (E), и гъбата на филтъра (I). След почистването, фиксирайте поплавъка на носещата рамка (E), след което подравнете маркировката на отвора (L) на долната тапа (F) на филтъра на поплавъка с маркировката на отвора (L) на носещата рамка (E). Затегнете долната тапа (F) на филтъра на поплавъка и фиксирайте гъбата на филтъра (I) на носещата рамка (E), а след това и към смукателната тръба.
6. Проверете целостта на гарнитурата (G) на капака на резервоара.

**ЗАБЕЛЕЖКА**

Гарнитурата (G) създава вакуум в резервоара, който е необходим за всмукването на отработената вода. Трябва да е напълно уплътнен, за да създаде оптимален вакуум.

Ако е необходимо гарнитурата на резервоара (G) може да се извади от отвора (H) и да се подмени. Когато сглобявате новотоуплътнение, както е показано на **Фигура 11**, поставете конектора в задната централна част.

7. Проверете дали работната повърхност на гарнитурата (G) е непокътната и отговаря на самата гарнитура.
8. Затворете капака (A).



Фигура 11

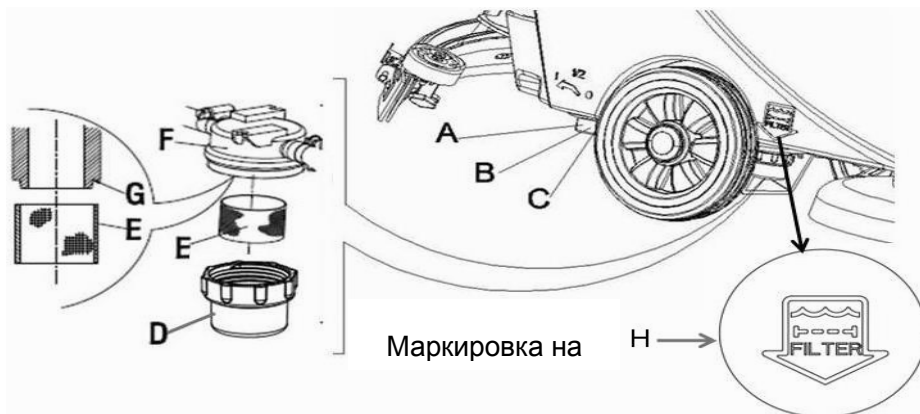
ПОЧИСТВАНЕ НА ФИЛТЪРА ЗА РАЗТВОРА

1. Източете водата от контейнера за разтвора, както е описано в по-предните раздели.
2. Поставете машината на гледка и равна повърхност.
3. Натиснете бутона за включване (38) в положение "O", за да изключите уреда.
4. Затворете сферичен кран (A, **Фигура 12**) (разположена от долната страна на уреда зад колелата). сферичният кран е отворен в позиция B и е отворен в позиция C.
5. Свалете прозрачния капак (D) и филтъра (E) и го сложете върху рамката (F) след почистване.

**ЗАБЕЛЕЖКА**

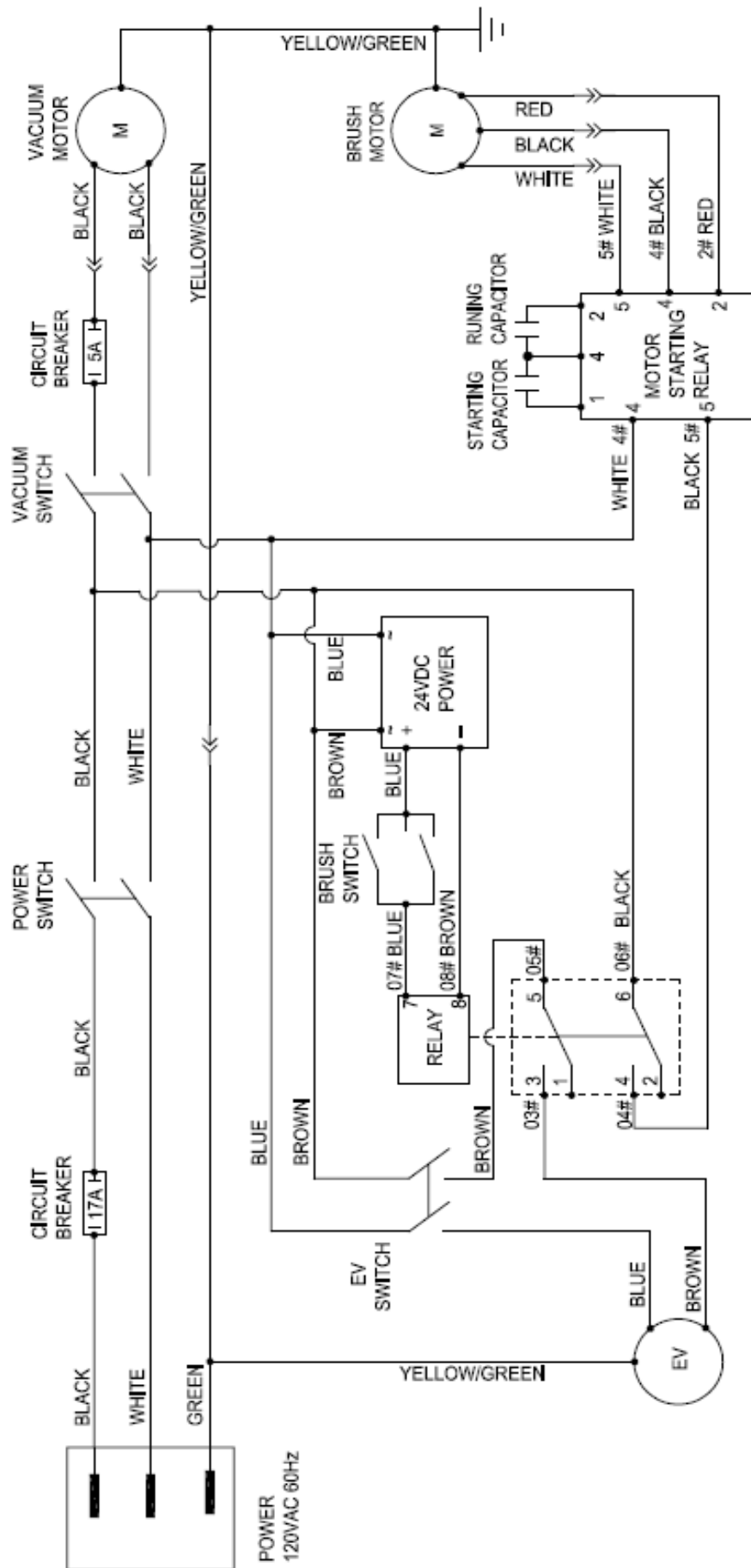
Филтърът (E) трябва да бъде монтиран правилно в позиция на проекция (G).

6. Отворете източващия сферичен кран (A).



Фигура 12

ЕЛЕКТРИЧЕСКА СХЕМА НА МОДЕЛИТЕ AS430С И AS510С



РАЗРЕШАВАНЕ НА ПРОБЛЕМИ

Breakdown	Probable Causes	Remedies
Уредът не работи	Дефектно или неправилно окабеляване	Свържете се с представител на Вайпър
	Дефектен мотор на четката	Свържете се с представител на Вайпър
	Карбоновата четка е износена	Свържете се с представител на Вайпър
Смукателният мотор не работи	Дефектно или неправилно окабеляване	Свържете се с представител на Вайпър
	Неизправен смукателен мотор	Свържете се с представител на Вайпър
	Карбоновите четки са износени	Свържете се с представител на Вайпър
Недостатъчен поток на миещ препарат	Сферичният кран е неизправен	Свържете се с представител на Вайпър
	Неизправен клапан на разтвора	Свържете се с представител на Вайпър
	Сферичният кран има нужда от настройка	Когато кранът е в хоризонтално положение, количеството разтвор е на максимум
	Филтърът е замърсен	Почистете филтъра
Недостатъчен вакуум	Резервоарът за мръсна вода е пълен.	Източете резервоара
	Смукателната тръба за отпадъци и гуменият накрайник не са правилно монтирани	Проверете филтъра и поплавъка
	Филтърът на поплавъка или отворът са блокирани	Проверете филтъра и поплавъка
	Гуменият накрайник или четките са износени или повредени	Проверете и почистете гумения накрайник
	Капакът на резервоара не е затворен както трябва или гарнитурата е повредена	Затворете капака или сменете уплътнението.
Гуменият накрайник оставя следи	Под чистачките на гумения накрайник има попаднали замърсявания и частици	Отстранете замърсяванията
	Чистачките на гумения накрайник са са износени, отчупени или разкъсани.	Сменете чистачките на гумения накрайник
	Гуменият накрайник не е балансиран	Балансирайте го

БРАКУВАНЕ НА УРЕДА

Уредът трябва да бъде унищожен с подходяща скрапираща машина.

Преди да скрапирате машината, отстранете и отделете следните материали, които трябва да се изхвърлят в съответствие с актуалното законодателство:

- Четка/накрайник на подложката
- Пластмасови маркучи и компоненти
- Електрически и електронни компоненти (*)

(*): Направете справка в най-близкия център на Вайпър (особено относно скрапиране на електрически и електронни компоненти).

KAZALO

UVOD	217
VSEBINA PRIROČNIKA	217
NAMEN	217
REZERVNI DELI IN VZDRŽEVANJE	217
SPREMEMBE IN IZBOLJŠAVE	217
OBSEG UPORABE	217
RAZPAKIRANJE/PREVOZ	217
SPLOŠNA VARNOSTNA VODILA	218
TEHNIČNI PODATKI	219
OPIS NAPRAVE	219
SESTAVA NAPRAVE	219
NADZORNA PLOŠČA	220
VODILO ZA UPORABO	221
PRED ZAGONOM NAPRAVE	221
NAMESTITEV IN ODMONTIRANJE KRTAČE / DRŽALA BLAZINICE	221
PRILAGAJANJE RAVNOVESJA BRISALCA	221
REGULIRANJE KOLIČINE VODNEGA PRETOKA	222
ZAGON IN USTAVITEV NAPRAVE	222
ROKOVANJE Z NAPRAVO (BRISANJE INSUŠENJE)	223
PRAZNJENJE REZERVOARJA	223
PO UPORABI NAPRAVE	224
PRVA UPORABA	224
VZDRŽEVANJE IN NEGA	224
TABELA NAČRTOVANIH VZDRŽEVANIH DEL	225
ČIŠČENJE BRISALCA	225
PREVERJANJE REZILA BRISALCA IN NJEGOVA ZAMENJAVA	225
ČIŠČENJE KRTAČE/POLIRNE BLAZINICE	226
ČIŠČENJE VODNEGA REZERVOARJA IN MREŽICE PLOVNEGA FILTRA	226
ČIŠČENJE FILTRA RAZTOPINE	227
SLIKA VEZJA AS430C IN AS510C	228
ODPRAVLJANJE TEŽAV	229
ODSTRANITEV NAPRAVE	229

UVOD



OPOMBA

Številke v oklepajih se nanašajo na sorodne komponente, prikazane v poglavju Opis naprave.

VSEBINA PRIROČNIKA

Ta priročnik daje operaterju potrebne informacije za pravilno in varno uporabo te naprave. V te informacije so vključeni tehnični podatki, varnost, obratovanje, hramba, vzdrževanje in odstranjevanje naprave. Operater in primerno usposobljeni tehniki morajo pazljivo preučiti ta priročnik, preden pričnejo uporabljati in vzdrževati to napravo. Prosimo, kontaktirajte VIPER, vkolikor želite razlago teh navodil ali ko so potrebne nadaljnje informacije.

NAMEN

Namen tega priročnika je usposabljanje operaterja in kvalificiranih tehnikov, da uspešno vzdržujejo to napravo.

Operater ne sme izvajati tistih operacij, ki bi jih naj opravljali samo tehniki. VIPER ne odgovarja za kakršnekoli poškodbe, ki bi bile povzročene kot posledica kršenja tega pravila.

REZERVNI DELI IN VZDRŽEVANJE

Vse potrebne posege, vzdrževanje in postopke popravila, mora opraviti kvalificirano osebje ali servisni centri podjetja VIPER

Samo pooblaščen rezervni deli in dodatki se lahko uporabijo.

Če je potreben servis ali naročanje rezervnih delov, oziroma dodatkov, prosimo kontaktirajte VIPER in sporočite številko modela naprave in serijske številke.

SPREMEMBE IN IZBOLJŠAVE

VIPER neprenehoma izboljšuje svoje izdelke. VIPER si pridržuje pravico spreminjanja in izboljševanja naprav, prav tako tudi pravico samostojnega odločanja, ali so koristi, ki jih prinesejo spremembe, primerne tudi za že prodane izdelke. Vse spremembe ali naknadni dodatki morajo biti odobreni in izvedeni s strani podjetja VIPER.

OBSEG UPORABE

Ta brisalnik se uporablja v domačem in industrijskem okolju in je primeren za čiščenje gladkih in trdih tal (čiščenje in zbiralnik odpadne vode). Uporabljati ga morajo kvalificirani operaterji v varnem okolju. Tega brisalnika se ne sme uporabljati za zunanje čiščenje, na preprogah in na relativno grobih tleh.

RAZPAKIRANJE/PREVOZ

Prosimo, previdno sledite navodilom na embalaži, ko razpakirate.

Ob dostavi prosimo preverite embalažo in napravo, da se prepričate, da med prevozom ni prišlo do poškodb. Če je vidna poškodba, prosimo ohranite prvotno obliko in prosite dostavno službo, da potrdi, in izpolni seznam poškodb, za kompenzacijo.



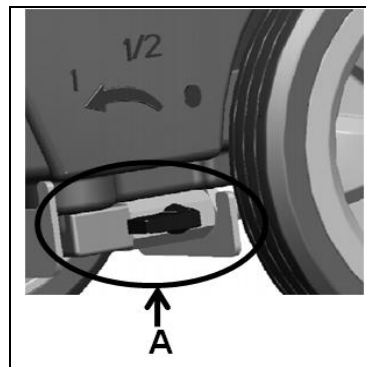
—PREVIDNOST

Med razpakiranjem in razkladanjem, ali med premikanjem naprave po tleh s stopnicami, prosimo pazite, da ne trčite stikala za vklop/izklop regulacije vodnega toka, del A na desni sliki.

Preverite, ali je naprava opremljena z naslednjimi predmeti:

Tehnični dokumenti

— Uporabniški priročnik brisalnika



SPLOŠNA VARNOSTNA VODILA

Sledijo posebna opozorila in obvestila glede možnih poškodb (osebja in naprave):

**OPOZORILO !**

- Z napravo je potrebno rokovati samo pod vodilom tega priročnika. Uporabljeni so lahko samo dodatki, odobreni s strani podjetja VIPER.
- To napravo sme uporabljati samo ustrezno usposobljeno pooblaščen osebje. Otroci ali neprimerne osebe ne smejo uporabljati te naprave.
- Ko delate blizu električnih delov, prosimo ne nosite nobenega nakita. Prosimo upoštevajte vse varnostne ukrepe, da se vaši lasje, nakit ali ohlapna oblačila ne bi ujeli v kateri koli premikajoči se del naprave.
- Prosimo ne uporabljajte te naprave na izredno umazanih mestih. Naprave ne perite neposredno z vodo. Ne dovolite, da naprava pride v stik s korozivnimi tekočinami.
- Temperatura za hrambo in delovno okolje naprave mora biti med 0-40°C.
- Vlažnost zraka mora biti med 30% - 105%.
- Prosimo ne uporabljajte naprave na pobočju z naklonom več kot 2%.
- V primeru požara, prosimo uporabite gasilne aparate s suhim prahom. Ne uporabljajte gasilne aparate na tekočino.
- Posebna pozornost je potrebna, ko je se napravo prevaža pod 0°C. Vodni rezervoar in voda v ceveh lahko zamrznejo in povzročijo resne poškodbe na napravi.
- Uporabite krtače in blazinice, ki pridejo skupaj z napravo in tiste, ki so določene v uporabniškem priročniku. Uporaba drugih krtač in blazinic lahko zmanjša varnost.
- V primeru okvare naprave se prepričajte, da le-ta ni povzročena zaradi pomanjkanja vzdrževanja. Če okvaro povzročajo drugi pogoji, potem poiščite pomoč pooblaščenega osebja ali servisnega centra.
- Če je potrjeno, da je rezervne dele potrebno zamenjati, prosimo zavarujte originalne dele pred pooblaščenimi posredniki ali agenti.
- Za varno in pravilno delovanje naprave, prosimo dovolite pooblaščenemu osebju ali servisnemu centru, da izvede načrtovano vzdrževanje glede na vzdrževalni časovni raspored v sorodnih odsekih tega priročnika.
- Ta naprava mora biti na pravilen način odvržena, saj gre lahko za strupene in nevarne zadeve in te zadeve je potrebno odvreči v posebnih centrih v skladu s sorodnimi zakoni in določbami (prosimo glejte poglavje za odstranjevanje naprave).

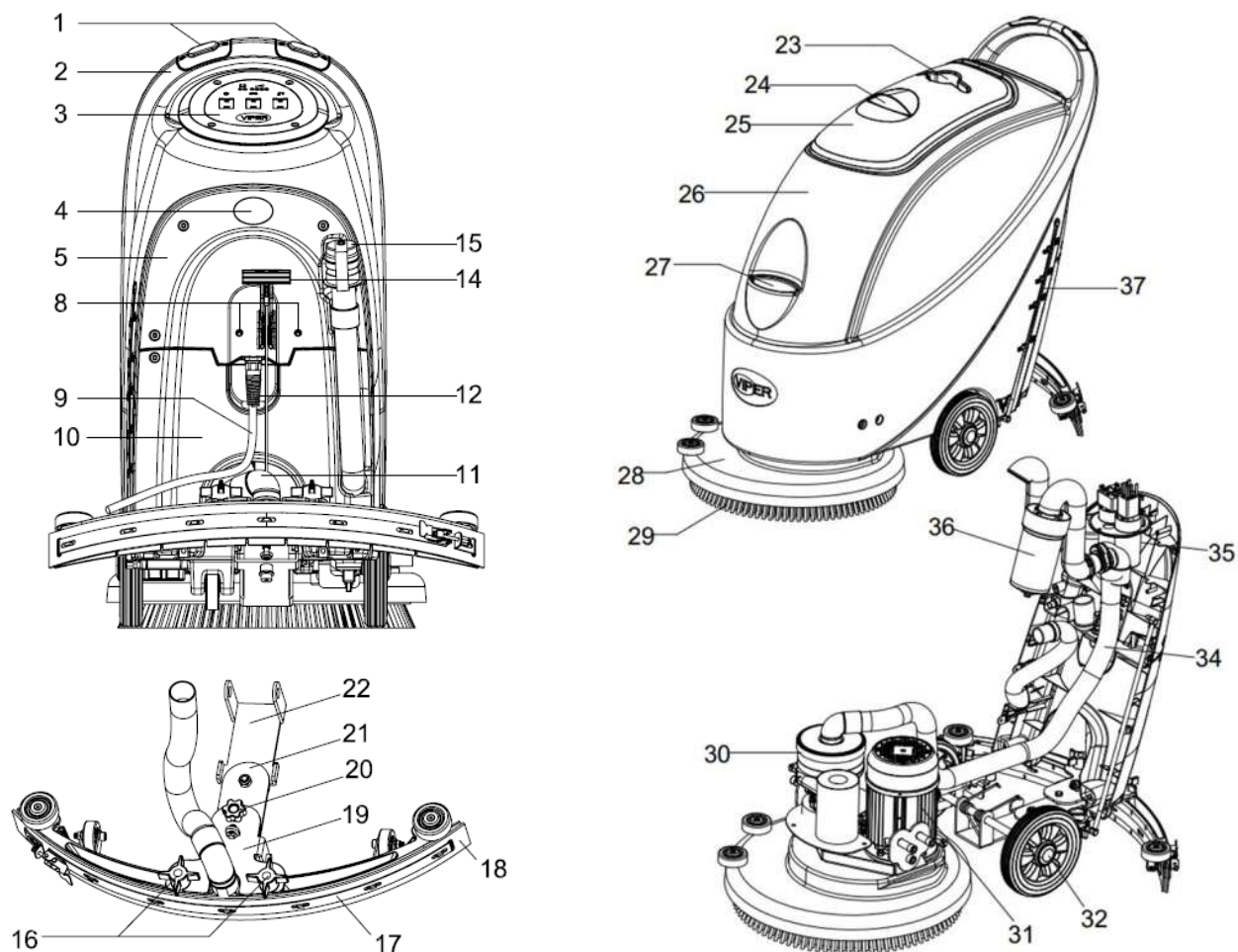
TEHNIČNI PODATKI

Model	AS430C	AS510C
Višina naprave	980mm	
Kapaciteta rezervoarja raztopine	50 litrov	
Kapaciteta zbiralne posode	50 litrov	
Premer transportnega kolesa	200mm	
Premer vodilnega kolesa	63.5mm	
Moč motorja sesalnega sistema	400w	
Največji naklon med delom	2%(Največ)	
Pritisk hrupa pri delovni postaji	72dB(A) ±3dB(A)	
Dolžina kabla	20m	
Kapaciteta krogotoka sesalnega sistema	1200 mm H ₂ O	
Čistilna širina	430mm	510mm
Brisalna širina	730mm	790mm
Največja dolžina naprave	1.060mm	1.100mm
Širina naprave brez brisalca	480mm	540mm
Premer krtače	430mm	510mm
Teža s praznimi rezervoarji	70kg	74kg
Bruto teža stroja pripravljenega za uporabo	120kg	124kg
Moč motorja krtače	750W	
Hitrost krtače	150rpm	
Največji pritisk držala krtače/blazinice	30kg (Največ)	35kg (Največ)
Velikost embalaže (Dx Š x V)	1200 x 610 x 1170mm	

OPIS NAPRAVE**SESTAVA NAPRAVE**

- Gumb za varnostno stikalo
- Krmilo
- Nadzorna plošča
- Tablica s serijsko številko/Tehnični podatki / Certifikat o skladnosti
- Nadzorni pokrov
- Ni na voljo
- Ni na voljo
- Ponastavitveno stikalo
- Električni kabel
- Pokrov baterije
- Sesalna cev za odpad
- Izvlačni kabel brisalca
- Ni na voljo
- Dvižna ročka brisalca
- Drenažna cev
- Pritrjeni gumb brisalca
- Sponka brisalca
- Rezilo brisalca
- Podporni okvir brisalca
- Ročni nastavljalnik brisalca
- Zadnji podporni okvir brisalca
- Prednji podporni okvir brisalca
- Držalo za skodelico
- Ročaj pokrova zbiralne posode
- Pokrov zbiralne posode
- Telo rezervoarja
- Pokrov dovoda vode
- Pokrov za krtačo
- Krtača / držalo blazinice
- Motor sesalnega sistema
- Motor krtače
- 8" kolo
- Ni na voljo
- Sesalna cev
- Električna škatla
- Plovni filter
- Cev nivoja vode (za prikaz količine vode v rezervoarju z raztopino)

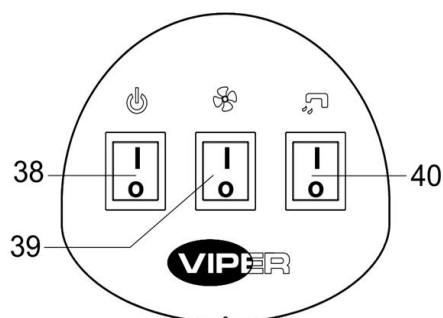
SLIKESESTAVE NAPRAVE



Slika 1

NADZORNA PLOŠČA (Slika2)

- 38. Stikalo za vklop
- 39. Stikalo sesala
- 40. Stikalo elektromagneta



Slika 2

VODILO ZA UPORABO



OPOZORILO

Na nekaterih delih naprave so prilepljeni nekateri indikativni znaki:

- NEVARNOST
- OPOZORILO
- PREVIDNOST
- POSVETOVANJE

Med prebiranjem tega priročnika mora biti operater še posebej pozoren na simbole na teh znakih. Pod nobenimi pogoji se teh znakov ne sme prekrivati. Če so poškodovani, jih prosimo takoj nadomestite.

PRED ZAGONOM NAPRAVE

NAMESTITEV IN ODMONTIRANJE KRTAČE / DRŽALA BLAZINICE



OPOMBA

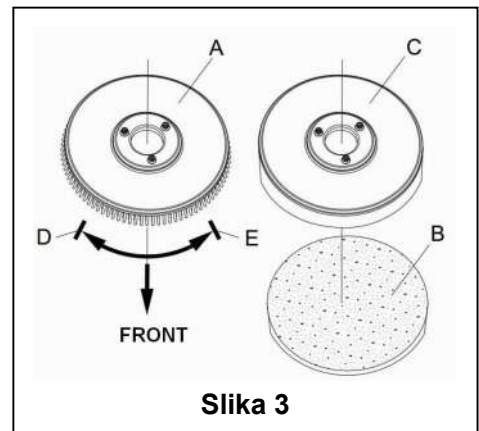
Glede na tip tal, ki bodo čiščena, se na napravo lahko namesti krtača (Slika3, A) ali držalo za blazinico (Slika3, B in C).



PREVIDNO !

Ko ročno nameščate ali odmontirate krtačo/držalo blazinice, najprej preverite vsa stikala, da so izklopljena in dvignite brisalec s tal, nato lahko operirate s krtačo ali držalom za blazinico. Poleg tega vas naprošamo, da si nadenete zaščitne rokavice in se zaščitite pred urezninami odlomkov.

1. (Velja samo za **AS430C** in **AS510C**): prepričajte se, da električni kabel (9) ki ločuje električno napeljavo in stikalo (38) v prekinjenem (O) stanju.
2. Pritisnite na krmilo (2) za dvig telesa rezervoarja (26).
3. Postavite krtačo (A) ali držalo blazinice (B - C) pod zaboj.
4. S pomočjo krmila (2) spustite telo rezervoarja (26), da pridete v kontakt s krtačo ali držalom blazinice.
5. Za samodejno namestitev krtače/držala blazinice, premaknite stikalo (38) v položaj "I" in pritisnite navzdol varnostno stikalo (1). Nežno potisnite napravo naprej in omogočite jermenskemu kolesu na dnu telesa rezervoarja, da se poravna s krtačo ali držalom blazinice, katero lahko nato namestite. Nato sprostite varnostno stikalo. Če je potrebno, ponavljajte to proceduro, dokler krtača/držalo blazinice, ni nameščeno.

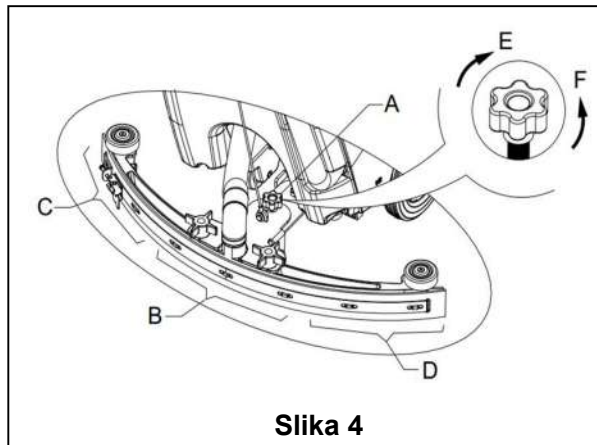


6. Če se korak 5 izkaže za težavnega, uporabite ročno metodo s sledenjem glavi puščice (D) za namestitev krtače/držala blazinice (kot je prikazano na **Slika 3**).
7. Za samodejno razmontiranje krtače/držala blazinice, obrnite stikalo za vklop (38) v položaj "O". S pomočjo roke držite krmilo, pritisnite napravo navzdol, dokler se vodilno kolo ne dotakne tal in krtača/držalo blazinice ne obvisi v zraku. Stikalo za vklop (38) preklopite v "I" položaj in navzdol pritisnite varnostno stikalo, da pustite krtačo ali držalo blazinice obračati, dokler krtača/držalo blazinice ne pade na tla.
8. Če se 7. korak izkaže za pretežkega, uporabite ročno metodo z obračanjem krtače/držala blazinice v nasprotni smeri od običajne obračalne smeri in tako jo/ga bo mogoče odstraniti. (kot je prikazano na **Slika 3**)

PRILAGAJANJE RAVNOVESJA BRISALCA

9. Namestite brisalec in ga trdno pritrdite z ročko (16). Nato priključite sesalno cev (11) za odpad na brisalec.
10. Prilagodite brisalec s pomočjo prilagoditvene ročke (A) brisalca (glej **Slika 4**).

- 1) Če ima srednji del zadnjega traku brisalca, odsek B, razmak s tlemi ali je pritisk navzdol relativno majhen, prilagodite ročko v nasprotni smeri urinega kazalca, dokler se celotna dolžina zadnjega traku brisalca popolnoma ne dotakne tal. Prednji trak brisalca naj se lahko dotika tal.
- 2) Če imata oba dela zadnjega traku brisalca, odseka C in D, razmak s tlemi ali je pritisk navzdol relativno majhen, prilagodite ročko v nasprotni smeri urinega kazalca, dokler se celotna dolžina zadnjega traku brisalca popolnoma ne dotakne tal. Prednji trak brisalca naj se lahko dotika tal.



Slika 4

Polnjenje rezervoarja z raztopino



PREVIDNO !

Samo negorljivi detergenti z malo pene, se lahko uporabijo. Ti detergenti morajo biti primerni za uporabo čistilnikov.

11. Odprite pokrov dotoka vode (27) in dodajte vodo v rezervoar raztopine. Ne prenapolnite rezervoarja. Dotakanje do samega vrha držala filtra vodnega dotoka bo zadosti. Pri pripravi čistilne raztopine prosimo sledite meram za razredčenje, ki so kemično izdelane in temperatura vode ne sme preseči 40⁰ C.

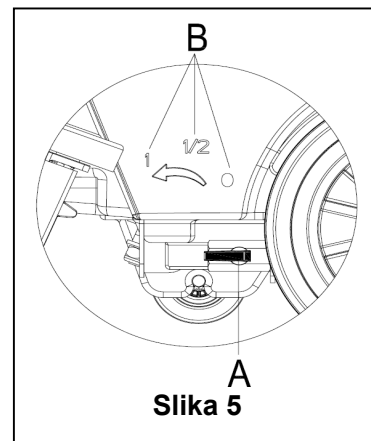
REGULIRANJE KOLIČINE VODNEGA PRETOKA



OPOZORILO !

Reguliranje ročke krogličnega ventila (A, Slika 5) mora biti opravljeno pod pogojem, ko je stikalo za vklop (38) v položaju "O" -

12. Količina vodnega pretoka je prilagodljiva preko ročke krogličnega ventila (A, Slika 5) glede na količino vode, ki je dejansko potrebna za čiščenje tal.



Slika 5

ZAGON IN USTAVITEVNAPRAVE

Zagon naprave

1. Končajte pripravljalne korake, kot je zapisano zgoraj
2. Priključite električni kabel (9) na ustrezno električno vtičnico in pritisnite stikalo elektrike (38) na položaj "I".
3. Uporabite ročko čistilnika (14) za znižanje brisalca.
4. Pritisnite stikalo vakuumske črpalke (39) v položaj "I".
5. Pritisnite stikalo nadzora pretoka količine vode (40) v položaj "I". (Obenem rokujte z varnostnim stikalom (1) in nadzorujte delo elektromagnetnega ventila.)
6. Pridržite varnostno stikalo (1) in ga potisnite za premik naprave. Krtača (29) se prične vrteti in naprava prične čistiti.



POSVET: Način potiskanja naprave

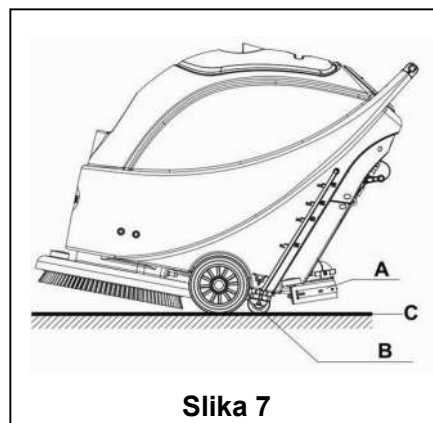
Ena izmed značilnosti naprave je namestitev dveh varnostnih stikal na obeh straneh krmila. Vsako varnostno stikalo je zmožno samostojno nadzirati delovanje krtače. Med uporabo, pomaga nadzorovati delovanje naprave. Po izkušnjah sodeč, je metoda premikanja naprave prikazana na desni Slika 6 bolj primerna, uporabniki se čutijo več udobnosti na rokah, zmanjša se utrujenost. Zato uporabnikom priporočamo premikanje naprave na ta način.



Slika 6

Izklop naprave

7. Ko končate z uporabo naprave, najprej odmontirajte krtačo/držalo blazinice (glejte korake v tem poglavju glede namestitve krtače/držala blazinice in odmontiranje)
8. Sprostite varnostno stikalo (1) in izklopite krtačo/držalo blazinice in elektromagnetni ventil.
9. Pritisnite stikalo vakuumske črpalke (39) v položaj "O" in vakuumska črpalka bo imela zamika 5 sekund, preden preneha delovati.
10. Pritisnite stikalo nadzora količine vodnega pretoka (40) v položaj "O" da popolnoma ugasnete delo elektromagnetnega ventila.
11. Pritisnite napajalno stikalo (38) v položaj "O". In iztaknite električni kabel (9) iz elektrike.
12. Uporabite dvižno ročko čistilnika (14) za dvigovanje brisalca.
13. Primite krmilo (2) in nežno nagnite napravo nazaj, dokler se vodilno kolo (B) ne dotakne tal. Glej **Slika 7**.

**Slika 7****ROKOVANJE Z NAPRAVO (BRISANJE INSUŠENJE)**

1. Zaženite napravo glede na zgornji opis.
2. Držite varnostno stikalo (1) (glede na način, prikazan na **Slika 6**), pritisnite za premik naprave in začnite s čiščenjem.
3. Po potrebi izključite napravo in prilagodite regulacijsko ročko brisalca. (Glejte korake za prilagoditev ravnovesja brisalca)
4. Po potrebi izključite napravo in prilagodite količino vodnega pretoka z ročajem krogelnega ventila. (Glejte korake za prilagoditev količine vodnega pretoka.)

**PREVIDNO !**

V izogib poškodovanja tal, ugasnite stikalo za vklop (38), ko je naprava na enem mestu brez premikanja.

PRAZNJENJE REZERVOARJA

Ko je zbiralna posoda polna, bo plovec v samodejni plovni ugašujoči napravi (36) blokiral vhod, ki povezuje sesalno črpalko. Zaradi nenadnega povečanja hrupa sesalne črpalke lahko sklepete, da je le-ta že preobremenjena in je potrebna takojšnje drenaže odpadne vode.

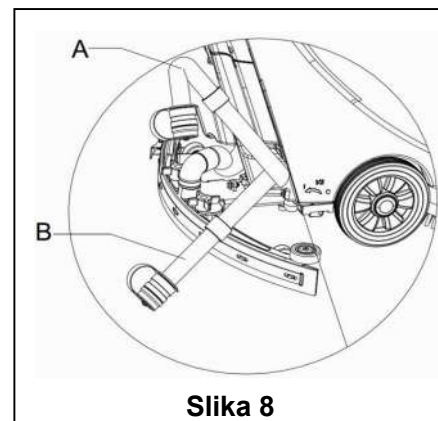
**PREVIDNO !**

Če je sesalna črpalka nenadoma ugasnjena (npr. zaradi tega, ker je naprava nenadoma premaknjena in se aktivira plovec) in če je potrebna obnovitev delovanja, prosimo izvedite naslednje korake: pritisnite napajalno stikalo (38 in 39) za izklop elektrike in sesalne črpalke in odprite pokrov zbiralne posode (25) ter preverite, če se je plovec v plovnem filtru vrnil na vodno površino. Nato zaprite pokrov zbiralne posode (25) in pritisnite napajalno stikalo (38 and 39) za vklop napajanja in sesalne črpalke.

Ko je zbiralna posoda popolnoma napolnjena z odpadno vodo, sledite naslednjim korakom, da jo popolnoma izsušite.

Praznjenje zbiralne posode

1. Izklop naprave
2. Uporabite ročko čistilnika (14) za dvigovanje brisalca.
3. Premaknite napravo na namenski odlagalni prostor.
4. Primite krmilo (2) in nežno nagnite napravo nazaj, dokler se vodilno kolo ne dotakne tal. (Za nagibanje naprave glejte procedure v poglavju ustavljanja naprave.)
5. Odstranite drenažno cev s fiksne sponke, nagnite vrhni konec drenažne cevi (kot je prikazano v **A, Slika 8**) in nato odprite pokrov drenažne cevi, spustite drenažno cev na nižji nivo ali na tla, za drenažo vode. Lahko tudi neposredno namestite drenažno cev na nižjo stopnjo na tla, da odtok vode vodi navzdol (kot je prikazano v **B, Slika 8**), in nato obrnete pokrov vodne drenaže, da

**Slika 8**

odteče odpadna voda iz rezervoarja. Po končani drenaži uporabite čisto vodo za čiščenje notranjosti zbiralne posode.

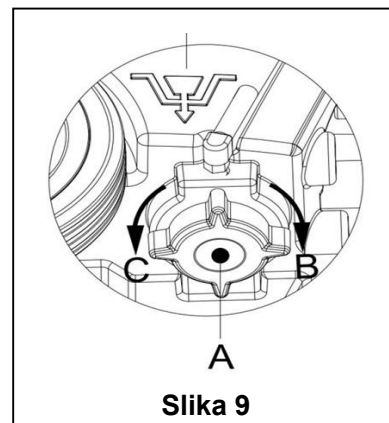


PREVIDNO !

Ob drenaži odpadne vode mora biti sesalna cev za odpadke prepognjena ali nižana na nižjo pozicijo (kot prikazano na Slika 8 A ali B) in nato odprite pokrov sesalne cevi za odpadke, da poteče drenaža vode. Ne obračajte izpust sesalne cevi za odpadke navzgor za drenažo vode vertikalno. S tem se izognemo polivanju vode na operaterja.

Praznjenje rezervoarja z raztopino

6. Izvedite korake 1 do 4.
7. Kot je prikazano na **Slika 9**, odprite pokrov rezervoarja raztopine (A) v nasprotni smeri urinega kazalca C in popolnoma izpraznite rezervoar z raztopino. S čisto vodo počistite notranjost rezervoarja z raztopino. Ko je delo končano, tesno zategnite pokrov rezervoarja z raztopino (A) v smeri urinega kazalca v smeri B.



Slika 9

PO UPORABI NAPRAVE

Ko je delo končano in preden zapustite napravo, dokončajte naslednje korake:

1. Sledite proceduri, kot opisano v prej omenjenem poglavju o namestitvi in demontaži krtače/držala blazinice in ju odstranite.
2. Sledite proceduram opisanim v sorodnih poglavjih, popolnoma izpraznite vodo v rezervoarju z raztopino in v zbiralni posodi.
3. Izpolnite dnevne vzdrževalne procedure (glejte poglavje vzdrževanja).
4. Shranite napravo, vključno s krtačo/držalom blazinice in brisalcem, na čistem in suhem mestu. Brisalec mora biti dvignjen in odstranjen.

PRVA UPORABA

Po prvih 9 urah uporabe, prosimo preverite vse dele in se prepričajte, da ni nič razrahljano ali poškodovano med delovanjem in preverite, ali so vidni znaki poškodb ali iztekanja.

VZDRŽEVANJE IN NEGA

Servisno življenje in največja delovna varnost naprave je omogočena s pravilnimi in pravočasnimi vzdrževalnimi deli in nego.

Naslednja tabela prikazuje splošni vzdrževalni plan za napravo. Časovni intervali vzdrževanja v veliki meri določeni z delovnimi pogoji naprave. Te časovne intervale mora oblikovati osebje, odgovorno za vzdrževanje.



OPOZORILO !

Ta procedura se opravlja samo, kadar nadaljujete s katero koli vzdrževalno proceduro. Prosimo previdno preučite sorodna varnostna poglavja.

Vsa načrtovana vzdrževalna dela ali dodatno vzdrževanje, mora opraviti usposobljeno osebje ali pooblaščen sevisni centri.

Ta priročnik se nanaša samo na preproste in najbolj pogoste vzdrževalne procedure.

Za druge vzdrževalne procedure, kot so tiste opisane v tej tabeli načrtovanega vzdrževanja, prosimo glejte priročnik za vzdrževanje servisnega centra.

TABELA NAČRTOVANIH VZDRŽEVANIH DEL

Procedura	Dnevno, Naprava po uporabi	Tedensko	Vsaki 6 mesecev	Letno
Čiščenje brisalca				
Čiščenje krtače / držala blazinice				
Počistite vodni rezervoar in plovni filter, preglejte tesnilne trakove vodnega rezervoarja				
Preglejte in zamenjajte trak brisalca				
Počistite filter raztopine				
Očistite filter sesalnega motorja				
Preglejte zatesnjenost matic in vijakov			(1)	
Preglejte ali zamenjajte ogljikovo krtačo motorja ali krtačo/držalo blazinice				(2)
Preglejte ali zamenjajte ogljikovo krtačo sesalnega motorja				(2)

(1) Potrebno je to narediti 9 ur po začetku delovanja naprave.

(2) Te vzdrževalne procedure mora opraviti pooblaščen VIPER servisni center.

ČIŠČENJE BRISALCA



OPOMBA

Za ohranitev optimalnega učinka vodnega sesalca mora brisalec biti čist in trak brisalca mora biti v dobrem stanju.



POZOR !

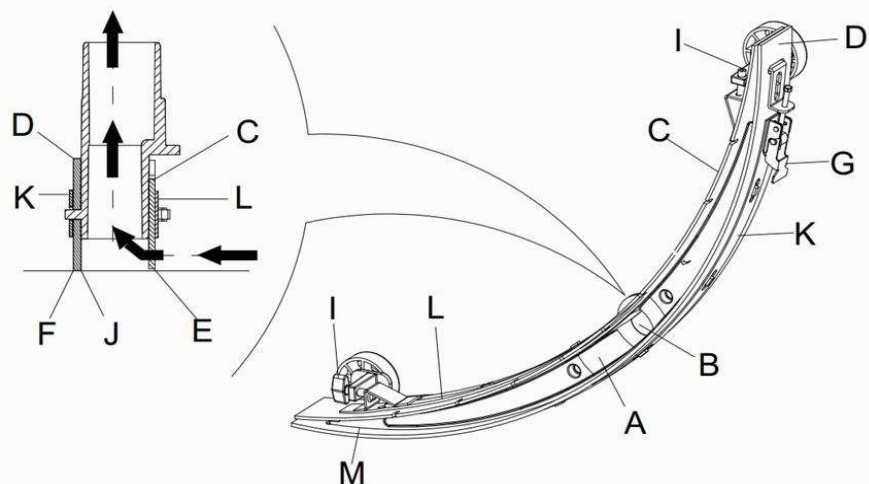
Pri čiščenju brisalca si je priporočljivo nadeti zaščitne rokavice, ker lahko brisalec vsebuje ostre delce.

1. Premaknite napravo na ravno in gladko podlago.
2. Pritisnite napajalno stikalo (38) v položaj "O" za ugasnitev naprave.
3. Odvijte pritrjeno ročko (16) brisalca; snamite konektor, ki povezuje zbiralno sesalno cev brisalca in ga snamite.
4. Uporabite dvizžno ročko čistilnika (14) za dvigovanje podpornega okvirja brisalca.
5. Očistite brisalec (**Slika 10**). Še posebej počistite utor (**A, Slika 10**) in umazanijo ter delce na sesalni cevi. Preverite, ali sta prednje rezilo brisalca (C) in zadnje rezilo brisalca (D) nedotaknjena in ali so odlomljeni robovi ali razpoke. Po potrebi jih zamenjajte (glejte korake v naslednjih poglavjih).
6. Ponovno namestite brisalec v obratnem vrstnem redu od zgornjega.

PREVERJANJE REZILA BRISALCA IN NJEGOVA ZAMENJAVA

1. Sledite metodam v prejšnjih poglavjih in očistite brisalec (**Slika 10**)
2. Preverite rob (**E, Slika 10**) prednjega rezila brisalca in rob (F) zadnjega rezila brisalca (D). Na celotni dolžini bi morali biti na istem nivoju. Drugače prilagodite višine s pomočjo naslednje procedure.
 - Razrahljajte zaponko (G) in ločite zadnje rezilo brisalca (D) od nosilca (M) za prilagoditev položaja brisalca. Po prilagoditvi ponovno zaklenite zaponko.
 - Razrahljajte vijak na ročki (I) za prilagoditev prednjega rezila brisalca (C); zategnite ročni vijak po prilagoditvi.
3. Preverite, ali sta prednje rezilo brisalca (C) in zadnje rezilo brisalca (D) nedotaknjena in ali so odlomljeni robovi ali razpoke. Po potrebi ju zamenjajte na naslednje načine. Preverite, ali prednji rob zadnjega rezila brisalca (J) ni obrabljen. Če je, potem ga lahko namestite navzdol (zgornji rob mora ostati nedotaknjen). Če je tudi zgornji rob obrabljen, ga spremenite s pomočjo spodnje procedure:
 - Razrahljajte zaponko (G) in sprostite pritisk rezila od nosilca (M), odstranite ploščico nosilca (K) in nato zamenjate ali obrnete zadnje rezilo brisalca (D) navzdol. Ponovno namestite zadnje rezilo brisalca v obratnem vrstem redu, kot ste ga odstranili.

- Zrahljajte vijak ročice (I) in odstranite prednjo tablico zaponke (L), nato zamenjajte prednji brisalec (C).
Ponovno namestite prednje rezilo brisalca v obratnem vrstem redu, kot ste ga odstranili.
Po zamenjavi rezila brisalca (ali namestitvi navzdol), prilagodite nivo prednjih in zadnjih rezil brisalca s proceduro, ki je opisana spodaj.
- 4. Priključite sesalno cev (11) na brisalec.
- 5. Namestite brisalec in uporabite gumb (16) za zategnitev, nato priključite sesalno cev na brisalec.
- 6. Po potrebi prilagodite brisalec s pomočjo prilagoditvenega koleščka (20) (glejte procedure za prilagajanje ravnovesja brisalca).



Slika 10

ČIŠČENJE KRTAČE/POLIRNE BLAZINICE



PREVIDNO !

Ko čistite krtačo/držalo blazinice, je priporočljivo nositi zaščitne rokavice, ker lahko naletite na ostre delce.

1. Tako kot je opisano v prejšnjih poglavjih, snamite krtačo/držalo blazinice.
2. S pomočjo vode in detergentov očistite krtačo/držalo blazinice.
3. Preverite celovitost in ponošenost ščetin na krtači in po potrebi krtačo zamenjajte.
4. Preverite ponošenost nosilca blazinice in ga po potrebi zamenjajte.

ČIŠČENJE VODNEGA REZERVOARJA IN MREŽICE PLOVNEGA FILTRA

1. Premaknite napravo na namenski odlagalni prostor.
2. Pritisnite napajalno stikalo (38) v položaj "O" za ugasnitev naprave.
3. Odprite pokrov zbiralne posode (A, Slika 11) in odstranite plavajočo napravo (36) iz zbiralne posode.
4. S pomočjo čiste vode očistite pokrov zbiralne posode (A), posodo (B in C) in podporni okvir plovnega filtra (E). Preko rezervne cevi (15) odvajajte vso vodo z vodnega rezervoarja.
5. Po potrebi, sledite simbolom "Open" in "Close" kot je prikazano na Slika 11, odprite spodnji pokrov (F) plovnega filtra in počistite plovec (D), podporni okvir plovnega filtra (E) in gobico filtra (I). Po čiščenju pritrdite plovec na podporni okvir plovnega filtra (E), nato poravnajte označen utor (L) spodnjega pokrova (F) plovnega filtra z označenim utorom (L) podpornega okvira plovnega filtra (E). Testno privijte spodnji pokrov (F) plovnega filtra, pritrdite gobico filtra (I) na podporni okvir plovnega filtra (E) in nato še na sesalno cev (M).
6. Preverite zvočnost tesnilnega obroča (G) pokrova vodnega rezervoarja.

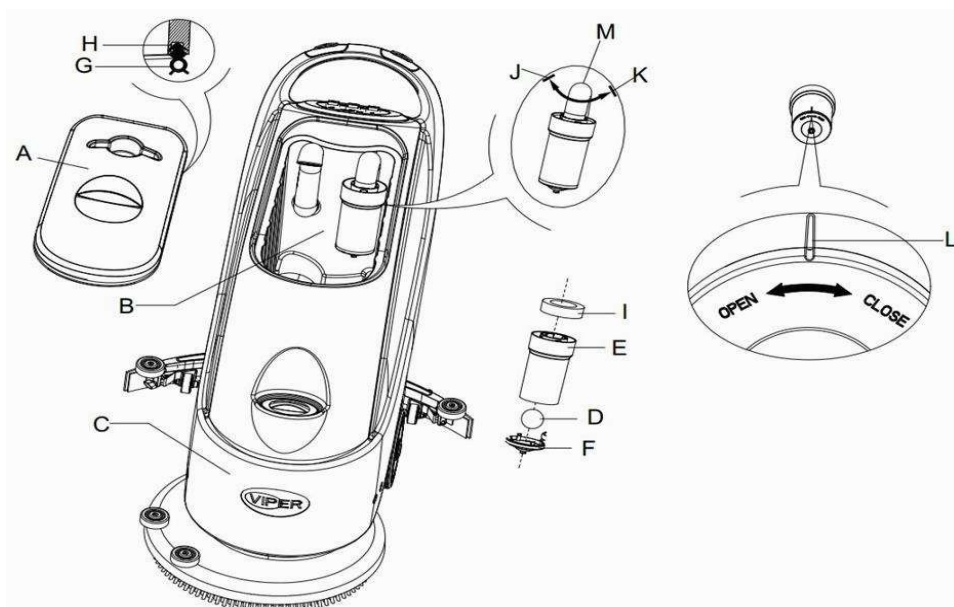


OPOMBA

Tesnilni trak (G) vodnega rezervoarja povzroča vakuum v vodnem rezervoarju. Mora biti popolnoma zatesnjen, da lahko učinkovito sesa odpadno vodo s tal.

Po potrebi lahko tesnilni trak vodnega rezervoarja (G) vzamete iz utora (H) in ga zamenjate. Pri sestavljanju novega tesnilnega traku vodnega rezervoarja, kot je prikazano na **Slika 11** spodaj, namestite konektor na srednji del zadnjega dela.

7. Preverite, če je prejemna površina tesnilnega traku (G) nedotaknjena in dovolj tesni.
8. Zaprite pokrov zbiralne posode (A).



Slika 11

ČIŠČENJE FILTRA RAZTOPINE

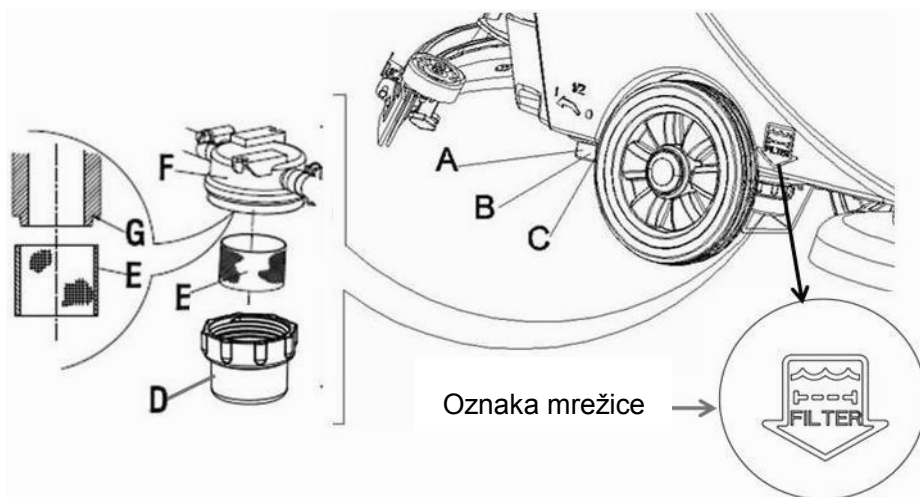
1. Izpustite vso vodo iz rezervoarja raztopine, kot je predstavljeno v sorodnih poglavjih.
2. Premaknite napravo na ravno in gladko podlago.
3. Pritisnite napajalno stikalo (38) v položaj "O" za ugasnitev naprave.
4. Ugasnite odvajalni krogelni ventil (**A**, **Slika 12**) (nahaja se na dnu naprave, za kolesi). Položaj B kroglični ventil odprt, položaj C kroglični ventil zaprt.
5. Odstranite prozorni pokrov (D) in nato vzamite ven filter (E), potem ju namestite na škatlo filtra (F) po čiščenju.



OPOMBA

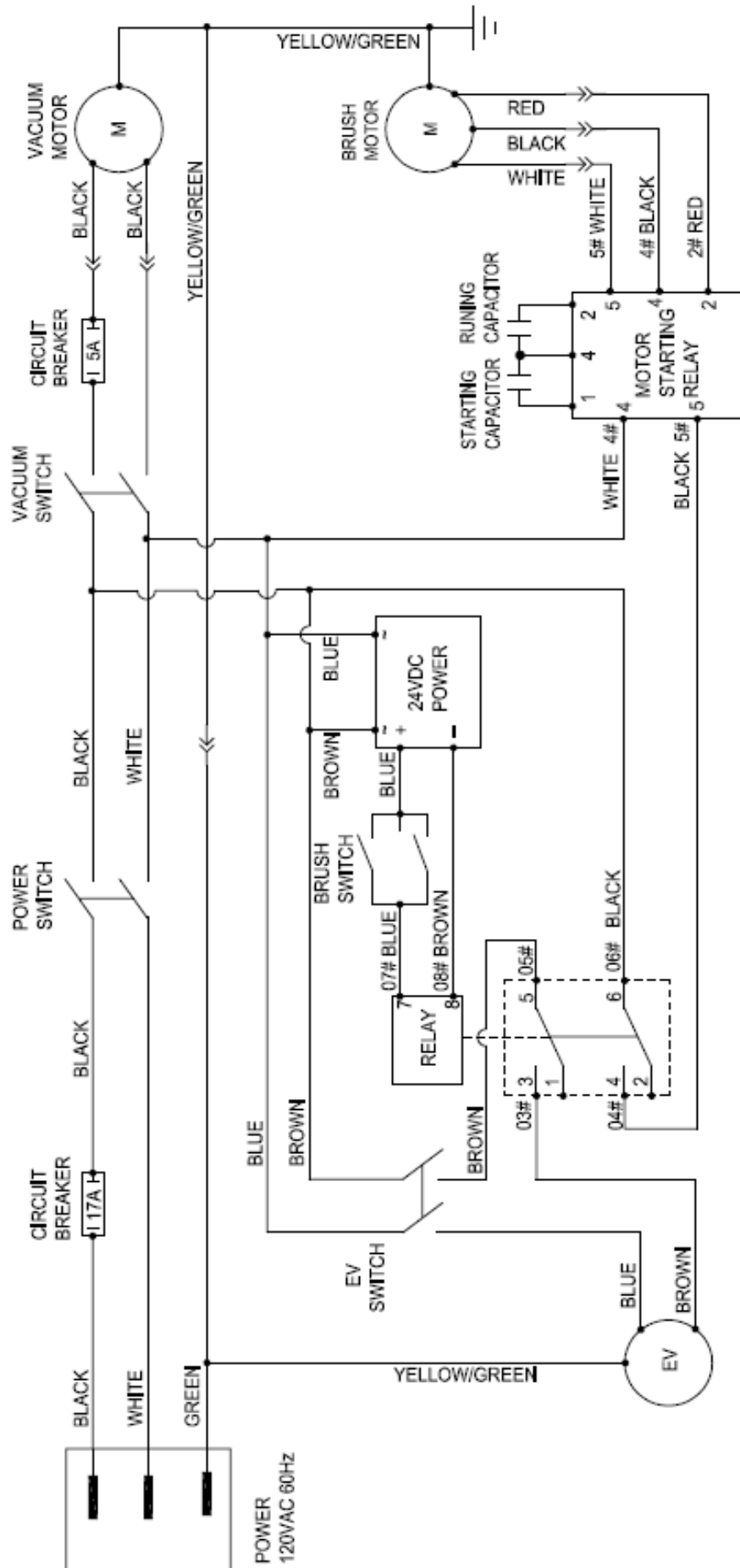
Filter (E) mora biti točno nameščen na položaj projekcije (G).

6. Odprite odvajalni krogelni ventil (A).



Slika 12

SLIKA VEZJA AS430C IN AS510C



ODPRAVLJANJE TEŽAV

Breakdown	Probable Causes	Remedies
Naprava ne deluje	Ožičenje ni pravilno priključeno ali slabo ožičenje	Preverite ožičenje in kontaktirajte Viper distributerja
	Pokvarjen motor ščetke	Kontaktirajte Viper distributerja
	Ogljikova ščetka je izrabljena	Kontaktirajte Viper distributerja
Sesalni motor ne deluje	Ožičenje ni pravilno priključeno ali slabo ožičenje	Preverite ožičenje in kontaktirajte Viper distributerja
	Pokvarjen sesalni motor	Kontaktirajte Viper distributerja
	Ogljikove ščetke so izrabljene	Kontaktirajte Viper distributerja
Malo ali brez toka raztopine	Pokvarjen kroglični ventil	Kontaktirajte Viper distributerja
	Pokvarjen ventil raztopine	Kontaktirajte Viper distributerja
	Položaj pokvarjenega krogličnega ventila je potrebno ponastaviti	Ko je kroglični ventil v horizontalnem položaju, je količina raztopine na največjem nivoju.
	Umazan filter.	Očistite filter
Nezadostno sesanje	Rezervoar z odpadno vodo je poln.	Izpraznite rezervoar vode
	Vakuumska cev za odpadke in otiralnik nista pravilno priključena.	Priključite sesalno cev za odpadke z otiralnikom
	Blokiran plovni filter ali dovod.	Očistite plovni filter, preverite plovno žogico
	Umazan otiralnik ali je brisalec otiralnika izrabljen in poškodovan.	Očistite in preverite otiralnik
	Pokrov zbiralne posode ni pravilno nameščen, ali je tesnilni trak vodne posode poškodovan.	Pokrov ponovno pravilno namestite, ali zamenjajte tesnilni trak rezervoarja vode.
Otiralnik pušča sledi	Naplavine, kot delci pod brisalcem otiralca	Odstranite delce
	Brisalec otiralca je že obrabljen, razpokan, krhek.	Zamenjajte brisalec otiralnika
	Ravnotežje otiralca ni prilagojeno.	Prilagodite ravnotežje

ODSTRANITEV NAPRAVE

Uporabite ustrezno mečkalno napravo za uničenje te naprave.

Preden uničite to napravo, prosimo odstranite in ločite naslednje materiale, ki morajo biti glede na zakone in predpise, ustrezno procesirani.

- Krtača / držalo blazinice
- Plastične cevi in plastične komponente
- Električne in elektronske komponente (*)

(*): Prosimo kontaktirajte najbližji VIPER center (posebej, ko je zahtevano uničenje električnih in elektronskih komponent).

INDHOLDSFORTEGNELSE

INTRODUKTION	231
INDHOLDET I DENNE MANUAL	231
FORMÅL	231
RESERVEDELE OG VEDLIGEHOLDELSE	231
ÆNDRINGER OG FORBEDRINGER	231
ANVENDELSESFØRMÅL	231
IDENTIFIKATIONSDATA	231
UDPAKNING/TRANSPORT	231
GENERELLE SIKKERHEDSOPLYSNINGER	232
TEKNISKE DATA	233
BESKRIVELSE AF MASKINEN	233
MASKINENS STRUKTUR	233
KONTROLPANEL	234
BRUGSGUIDE	235
FØR START AF MASKINEN	235
INSTALLERING OG AFTAGEN AF BØRSTE-/PUDEHOLDER	235
JUSTERING AF GUMMISKRABERENS BALANCE	235
REGULERING AF MÆNGDEN AF VANDSTRØM	236
START OG STOP AF MASKINEN	236
DRIFT AF MASKINEN (RENGØRING OG TØRRING)	237
TØMNING AF TANK	237
EFTER BRUG AF MASKINEN	238
BRUG FOR FØRSTE GANG	238
VEDLIGEHOLDELSE OG PLEJE	238
TABEL FOR PLANLAGT VEDLIGEHOLDELSE	239
RENGØRING AF GUMMISKRABER	239
KONTROL OG UDSKIFTNING AF GUMMISKRABER	239
RENGØRING AF BØRSTE/POLERINGSPUDE	240
RENGØRING AF VANDTANK OG FLYDEFILTERNET	240
RENGØRING AF OPLØSNINGSFILTER	241
KREDSLØBSFIGUR FOR AS430C OG AS510C	242
FEJLFINDING	243
BORTSKAFFELSE AF MASKINEN	243

INTRODUKTION



BEMÆRK

The numbers in brackets refer to the related components shown in Machine Description section.

INDHOLDET I DENNE MANUAL

Formålet med denne manual er at give operatøren alle nødvendige oplysninger om maskinen til at bruge den korrekt, på en sikker og selvstændig måde. Den indeholder oplysninger om tekniske data, sikkerhed, drift, opbevaring, vedligeholdelse, reservedele og bortskaffelse. Inden der udføres en procedure på maskinen, skal operatører og kvalificeret teknikere læse denne vejledning omhyggeligt. Kontakt VIPER i tilfælde af tvivl om fortolkningen af disse instruktioner, og for yderligere oplysninger.

FORMÅL

Denne manual henvender sig til operatører og teknikere kvalificeret til at udføre vedligeholdelse af maskinen.

Operatørerne må ikke udføre procedurer forbeholdt kvalificerede teknikere. VIPER vil ikke være ansvarlig for skader, der kommer fra den manglende overholdelse af dette forbud.

RESERVEDELE OG VEDLIGEHOLDELSE

Alle nødvendige drifts-, vedligeholdelses- og reparationsprocedurer skal udføres af kvalificeret personale eller af VIPER servicecentre.

Kun originale reservedele og tilbehør må anvendes.

Kontakt VIPER for service eller for at bestille reservedele og tilbehør, med angivelse af maskinens model og serienummer.

ÆNDRINGER OG FORBEDRINGER

VIPER forbedrer konstant sine produkter og forbeholder sig ret til at foretage ændringer og forbedringer på eget skøn, uden at være forpligtet til at inkludere sådanne fordele på maskiner, der tidligere blev solgt. Enhver ændring og / eller tilføjelse af tilbehør skal godkendes og udføres af VIPER

ANVENDELSESFORMÅL

Denne rengøringsmaskine er beregnet til brug i private og kommercielle miljøer, og kan bruges til at rengøre glatte og hårde gulve (skrubbe, vaske og opsamling af beskidt vand). Den skal bruges af kvalificerede operatører i sikre miljøer. Denne rengøringsmaskine må ikke anvendes udenfor, til gulvtæppe- og tæpperengøring, samt på ru overflader.

IDENTIFIKATIONSDATA

Maskinens model og serienummer er markeret på pladen (4).

Denne information er nyttig, når reservedele kræves til maskinen. Brug følgende tabel til at nedskrive maskinens identifikationsdata.

MASKINENS model.....
MASKINENS serienummer.....

UDPAKNING/TRANSPORT

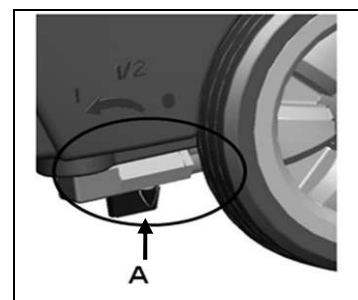
For at pakke maskinen omhyggeligt ud, skal du følge vejledningen på emballagen.

Når maskinen leveres, skal du kontrollere, at emballagen og maskinen ikke er blevet beskadiget under transporten. I tilfælde af synlige skader, behold pakning og kontroller med fragtfirma, der leverede den. Ring straks til fragtfirmaet for at indsende en skadeserklæring.



– FORSIGTIG

Ved udpakning og losning, eller under maskinen flyttes på tværs af jorden med trin, skal du sørge for at undgå at ramme on / off kontakt regulerer vandstrømmen, del A i figuren til højre.



Kontroller om maskinen er udstyret med følgende elementer:

1. Tekniske dokumenter
13. Brugermanual til skrubbemaskine

GENERELLE SIKKERHEDSOPLYSNINGER

Det følgende er specielle ADVARSLER og oplysninger om potentielle skader (på personer eller maskinen):



ADVARSEL!

5. Maskinen må kun betjenes under vejledning af denne manual. Kun tilbehør godkendt af VIPER skal anvendes.
6. Denne maskine må kun anvendes af behørigt uddannet eller autoriseret personale. Børn eller uhensigtsmæssige personer må ikke bruge denne maskine.
7. Når du arbejder i nærheden af elektriske dele, skal du ikke bære nogen smykker. Venligst tage alle forholdsregler for at undgå hår, smykker og løstsiddende tøj fra at blive fanget af bevægelige dele i maskinen.
8. Brug ikke maskinen i særligt snavsede områder. Vask ikke maskinen direkte med vand. Lad ikke maskinen komme i kontakt med ætsende væsker.
9. Temperaturen til opbevaring og til arbejdsmiljø af maskinen skal være mellem 0 - 40°C.
10. Luftfugtigheden skal være mellem 30 % - 105 %.
11. Brug ikke maskinen på en skråning med en hældning på mere end 2 %.
12. I tilfælde af brand, skal du bruge tørre pulverbrandslukker. Brug ikke flydende brandslukker.
13. Særlig opmærksomhed skal betales, når maskinen transporteres under 0°C. Vandtanken og vandet i slangerne kan fryse og forårsage alvorlige skader på maskinen.
14. Brug børster og puder der leveres med maskinen, og dem, der er angivet i brugermanualen. Brug af andre børster eller puder kan reducere sikkerheden.
15. I tilfælde af funktionsfejl skal du sørge for, at det ikke er forårsaget af manglende vedligeholdelse. Hvis det er forårsaget af andre forhold, skal du søge bistand fra autoriseret personale eller servicecentret.
16. Hvis det bekræftes, at reservedele skal udskiftes, skal du sikre de originale dele fra autoriserede forhandlere eller agenter.
17. For at sikre en sikker og korrekt betjening af maskinen, så lad autoriseret personale eller servicecentret udføre den planlagte vedligeholdelse i henhold til vedligeholdelsesplaner i de relaterede afsnit i manualen..
18. Denne maskine skal bortskaffes korrekt, fordi der kan forekomme giftige og farlige anliggender, og disse spørgsmål skal bortskaffes ved særlige centre i overensstemmelse med beslægtede love og bestemmelser (se afsnit bortskaffelse maskine).

TEKNISKE DATA

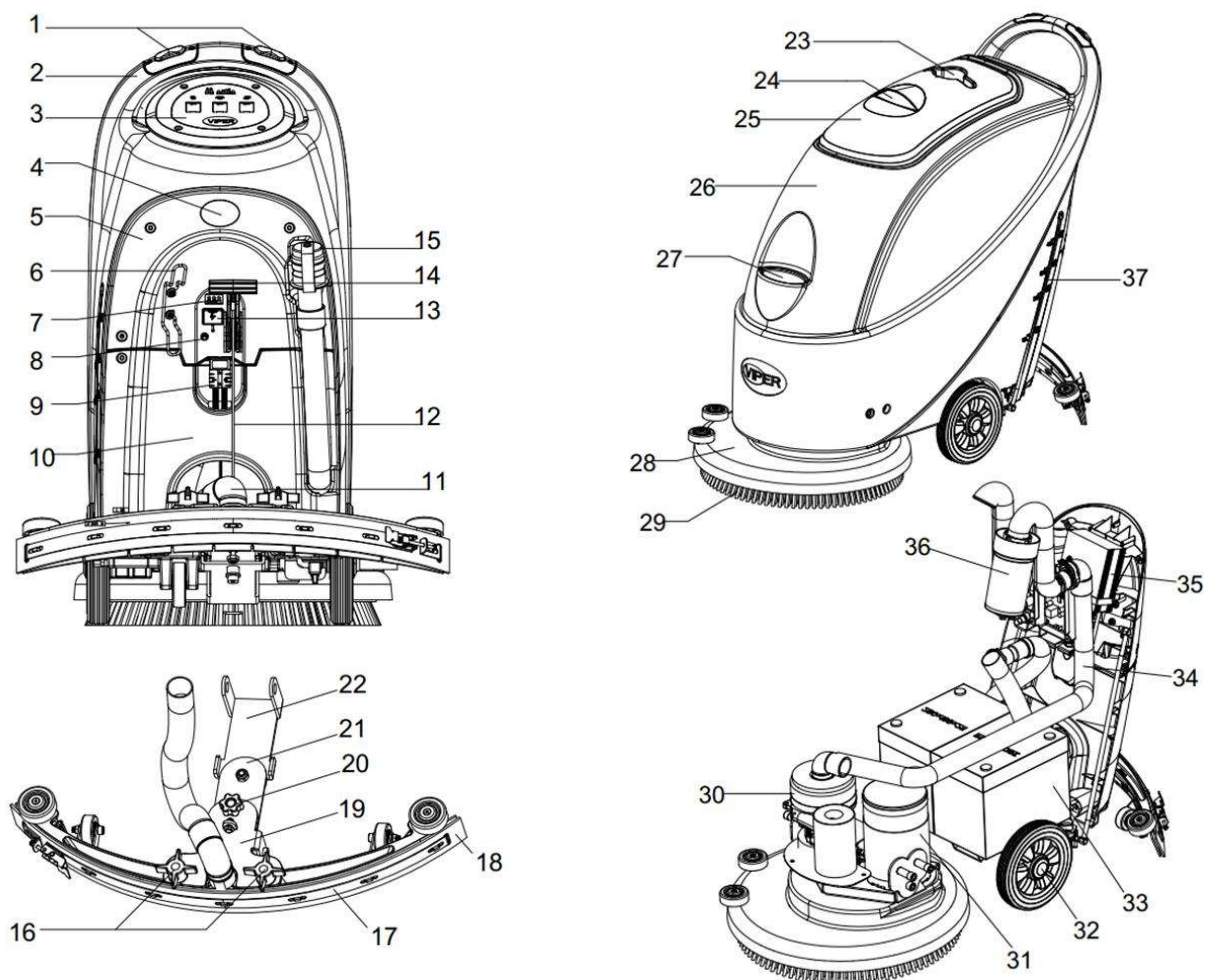
Model	AS430C	AS510C
Maskinens højde	980mm	
Opløsningstankens kapacitet	50 liter	
Opsamlingstankens kapacitet	50 liter	
Diameter på transporthjul	200 mm	
Diameter på guidehjul	63.5 mm	
Effekt af vakuumsystemmotor	400 w	
Maksimal stigning, under arbejder	2 % (Maks)	
Lydtryksniveau ved arbejdsstation	70 dB(A) ±3 dB(A)	
Kabelængde	20m	
Vakuumsystemkredsløb kapacitet	1200 mm H ₂ O	
Rengøringsbredde	430 mm	510 mm
Gummiskrabers bredde	730 mm	790 mm
Maskinens maksimale længde	1060 mm	1100 mm
Maskinens længde uden gummiskraber	480 mm	540 mm
Børstens diameter	430 mm	510 mm
Vægt med tomme tanke	70 kg	74 kg
Bruttovægt af maskinen når den er klar til brug	120 kg	124 kg
Børstens motoreffekt	750 W	
Børstens hastighed	150 rpm	
Børste-/pudeholders maksimale tryk	30 kg (Maks)	35 kg (Maks)
Pakkens størrelse (L x B x H)	1200 x 610 x 1170 mm	

BESKRIVELSE AF MASKINEN**MASKINENS STRUKTUR**

- | | |
|---|---|
| 1. Sikkerhedsknap | 20. Gummiskraberens justeringshåndhjul |
| 2. Håndtag | 21. Gummiskraberens bagerste støtteramme |
| 3. Kontrolpanel | 22. Gummiskraberens forreste støtteramme |
| 4. Serienummerplade/Tekniske data/Overenstemmelseserklæring | 23. Kopholder |
| 5. Kontroldække | 24. Opsamlingstankens dækhåndtag |
| 6. N/A | 25. Opsamlingstankens dække |
| 7. N/A | 26. Tankens krop |
| 8. Nulstillingsknap | 27. Dække til vandindtag |
| 9. Strømkabel | 28. Børstedæk |
| 10. Batteridække | 29. Børste-/pudeholder |
| 11. Vakuumslange til affald | 30. Vakuumsystemets motor |
| 12. Gummiskraberens ledning | 31. Børstemotor |
| 13. N/A | 32. 8" hjul |
| 14. Gummiskraberens løftehåndtag | 33. N/A |
| 15. Dræningsslange | 34. Vakuumslange |
| 16. Gummiskraberens håndtag | 35. Elektrisk boks |
| 17. Gummiskraberens klip | 36. Flydefilter |
| 18. Gummiskraberens blad | 37. Vandniveauslange (til at indikere mængden af vand i opløsningstanken) |
| 19. Gummiskraberens støtteramme | |

(*)gælder kun for maskiner, der allerede har indbygget oplader (valgfri)

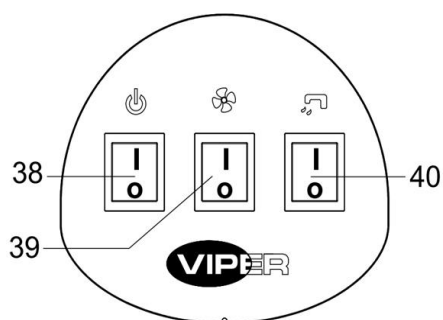
FIGURER AF MASKINENS STRUKTUR



Figur 1

KONTROLPANEL (Figur 2)

- 38. Strømknapp
- 39. Vakuumnapp
- 40. Magnetventil knapp



Figur 2

BRUGSGUIDE



ADVARSEL

På visse dele af maskinen er indsat nogle vejledende skilte:

- FARE
- ADVARSEL
- FORSIGTIG
- KONSULTATION

Når du læser denne manual, skal operatøren betale særlige opmærksomhed til symbolerne på disse tegn. Under ingen omstændigheder disse tegn være omfattet. Hvis de er beskadiget, skal du udskifte dem med det samme.

FØR START AF MASKINEN

INSTALLERING OG AFTAGEN AF BØRSTE-/PUDEHOLDER



BEMÆRK

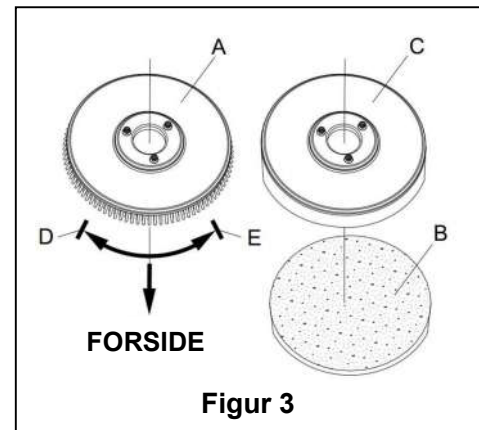
Ifølge det type gulv, der skal rengøres, kan maskinen monteres med børste (Figure 3, A) eller en pude-holder (figur 3, B og C).



FORSIGTIG!

Når manuelt installerer eller aflæsning af børste/pude-holder, først kontrollere, om alle kontakterne er i slukket position, og løft sugefod fra gulvet, efter der kan børsten eller puden-indehaveren skal arbejdes på. Desuden skal du sætte på beskyttelsehandsker for at undgå at blive skåret af fragmenter.

1. (Gælder kun for **AS430C** og **AS510C**): sørg for, at strømkablet (9) tages ud af strømforsyningen og at afbryderen (38) er i slukket (O) tilstand.
2. Tryk ned på styret (2) til at løfte tanken krop (26).
3. Sæt børsten (A) eller puden-holderen (B - C) under sagen.
4. Brug styret (2) for at sænke tanken organ (26) til at komme i kontakt med børste eller pude-holder.
5. For at installere børste / pude-holder automatisk dreje afbryderen (38) til position "I" og tryk ned sikkerhedsafbryderen (1). Skub forsigtigt maskinen fremad, således at båndet hjul på bunden af tanken kroppen på linie med børsten eller pude-holder, som derefter kan installeres. Slip derefter sikkerhedsafbryderen. Gentag om nødvendigt denne procedure, indtil børsten / puden-indehaver er installeret.
6. Hvis trin 5 ovenfor viser sig at være vanskeligt, bruge den manuelle metode ved at følge pilen hovedet (D) for at installere børste / pude-holder (som vist i **figur 3**).
7. For automatisk at losse børste / pude-holder, dreje afbryderen (38) til position "O". Brug hånden til at holde styret, og tryk maskinen nedad, indtil guiden hjulet rører gulvet og børste / puden-indehaveren hænger i luften. Drej afbryderen (38) til position "I", og tryk ned sikkerhedsafbryderen at lade børste eller pude-holder igen, indtil børsten / puden-holder falder til gulvet.
8. Hvis Trin nr 7 ovenfor viser sig at være vanskeligt, bruge den manuelle metode ved at dreje børsten / puden-holderen i modsat retning af den normale drejeretningen, og det kan tages ud. (som vist i **figur 3**).



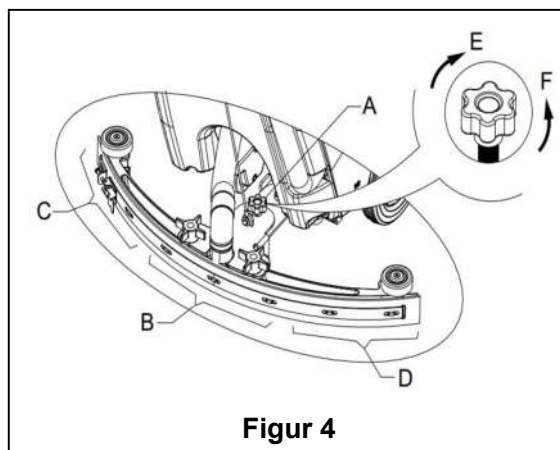
Figur 3

JUSTERING AF GUMMISKRABERENS BALANCE

9. Installer gummiskraber og drej den fast med håndtaget (16). Tilslut derefter vakuum (11) rør til affald til gummiskraber.
10. J uster gummiskraberens med justeringshåndtaget (A) på gummiskraberens (se **figur 4**).
 - 1) Hvis den midterste del af den bagerste gummiskraber strimmel, afsnit B, har et hul med gulvet eller det nedadgående pres er relativt let, justere håndtaget i en anti-uret, indtil hele længden af

den bagerste gummiskraber strimmel rører godt med gulvet. Den forreste gummiskraberens strimmel bør rører gulvet.

- 2) Hvis de to ender af den bagerste gummiskraber strimler, afsnit C og D, har et hul med gulvet eller det nedadgående pres er relativt let, justere håndtaget i urets retning, indtil hele længden af den bagerste gummiskraber strimmel rører godt med gulvet. Den forreste gummiskraberens strimmel bør rører gulvet.



Figur 4

Påfyldning af opløsningstank



FORSIGTIG!

Kun lavtskummende, kan brændbare rengøringsmidler anvendes. Disse rengøringsmidler skal være egnet til brug i skrubbermaskiner.

11. Åbn vandtilførslen dæksel (27) og tilsæt vand til løsning tank. Overfyld ikke tanken. Påfyldning op til nær kanten af filterholderen af vandindløbet vil være tilstrækkeligt. Ved udarbejdelsen af de rengøringsmidler, skal du følge fortynding satser leveret af den kemiske fremstilling og vandtemperaturen må ikke overstige 40 °C.

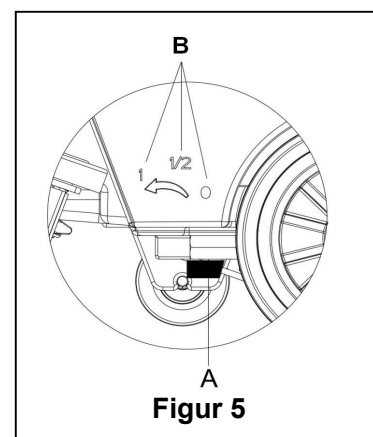
REGULERING AF MÆNGDEN AF VANDSTRØM



ADVARSEL!

Regulering af kuglehanen håndtaget (A, figur 5) skal ske under forudsætning af, når afbryderen (38) er i positionen "O".

12. Mængden af vandstrømmen kan justeres via kugleventilen håndtaget (A, figur 5) i overensstemmelse med mængden af vand praktisk kræves til at skrubbe gulvet.



Figur 5

START OG STOP AF MASKINEN

Start maskinen

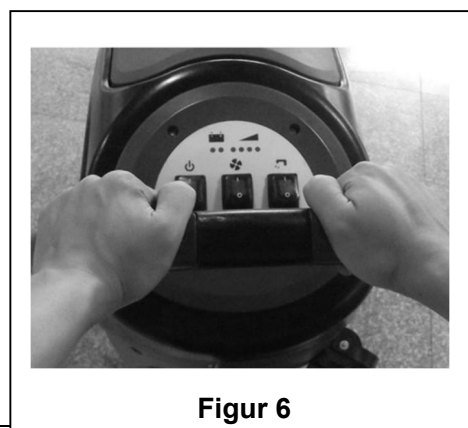
1. Gennemfør de forberedende skridt som relateret ovenfor.
2. Tilslut strømkablet (9) til en strømforsyning med tilsvarende spænding, og tryk på afbryderen (38) for at komme til position "I".
3. Brug gummiskraberens håndtag (14) for at sænke bladene.
4. Tryk Vakuumpumpe kontakten (39) til position "I".
5. Tryk vandstrømmen volumenkontrol kontakt (40) til position "I". (Arbejde samtidigt med sikkerhedsafbryderen (1) til at styre arbejde magnetventil.)
6. Hold sikkerhedsafbryderen (1), og skub til at flytte maskinen. Børsten (29) begynder at rotere, og maskinen begynder sin rengøring.



KONSULTATION :At skubbe maskinen

Et af kendetegnene ved maskinen er installationen af to sikkerhedsafbrydere på begge sider af styret. Hver sikkerhedsafbryder er i stand til at styre uafhængigt driften af børsten. Ved brug letter kontrol af driften af maskinen.

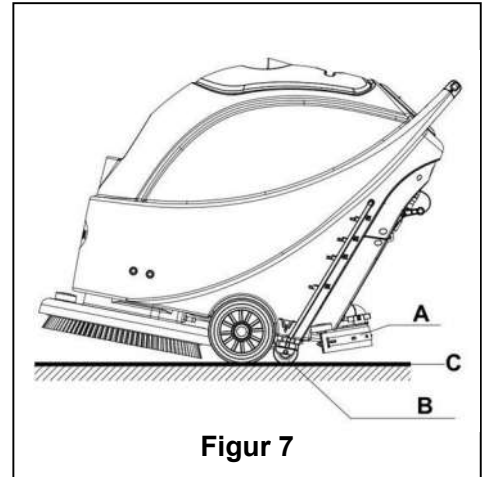
Erfaringsmæssigt, at metoden flytte maskinen vist på højre Figur 6 er mere velegnet, føler brugerne mere behagelig på hænder, det reducerer arbejdet træthed. Så brugerne anbefales at flytte maskinen på denne måde.



Figur 6

At slukke maskinen

1. Når du er færdig med at bruge maskinen, først losse børste / pude-holder (se trinene relateret i afsnittet om børste / pude-indehaver installation og aflæsning)
2. Slip sikkerhedsafbryderen (1) for at slukke børste / pude-holder og magnetventil.
3. Tryk på Vakuumpumpe kontakten (39) til position "O", og vakuumpumpen vil forsinke i 5 sekunder før du stopper arbejdet.
4. Tryk vandstrømmen volumenkontrol kontakt (40) til position "O" for at slukke helt for arbejde magnetventil.
5. Tryk på afbryderen (38) til position "O". Og frakobl strømkablet (9) fra strømforsyningen.
6. Brug gummiskraberens løftehåndtag (14) til at løfte bladene.
7. Tag fat i styret (2) og forsigtigt vippe maskinen tilbage, indtil styrehjulet (B) rører gulvet. Se **figure 7**.



Figur 7

DRIFT AF MASKINEN (RENGØRING OG TØRRING)

1. Start maskinen i henhold til ovenstående beskrivelse.
2. Hold sikkerhedsafbryderen (1) (i henhold til den måde, der er vist i **figur 6**), tryk for at flytte maskinen, og start rengøring job.
3. Hvis det er nødvendigt, skal du slukke for maskinen, og juster regulerende håndtag visker. (Se trin til justering af balancen i gummiskraberen)
4. Hvis det er nødvendigt, skal du slukke for maskinen, og justere lydstyrken på vandstrømmen med kugleventil håndtag. (Se trinnene til at justere mængden af vandstrøm.)



FORSIGTIG!

For at undgå at beskadige gulvet, når maskinen forbliver på ét sted uden at flytte, skal du slukke for strømmen (38).

TØMNING AF TANK

Når opsamlingstanken er fuld, vil en flyder i den automatiske flyde turn-off-enhed (36) blokerer indløbet tilslutning til vakuumpumpen. Gennem en pludselig stigning i støj fra vakuumpumpen, kan det antages, at vakuumpumpen allerede er overbelastet og en umiddelbar dræning af spildevandet er nødvendig.



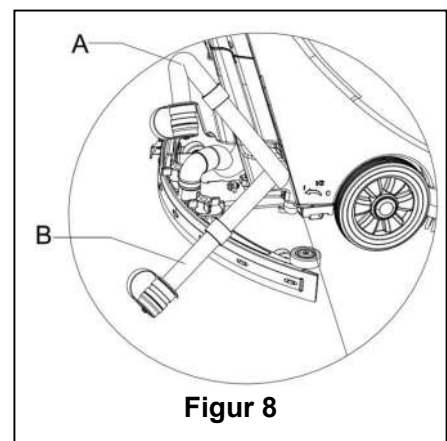
FORSIGTIG!

Hvis vakuummotoren pludselig slukkes (f.eks fordi maskinen pludselig flyttes resulterer i en aktivering af float), og hvis en genoptagelse af drift er nødvendig, skal du udføre følgende trin: tryk på afbryderen (38 og 39) til slukke for strømmen og vakuummotoren, og åbn opsamlingstanken dæksel (25) for at kontrollere, om flyderen i float-filter er vendt tilbage til vandoverfladen. Så tæt opsamlingstanken dæksel (25), og tryk på afbryderen (38 og 39) for at tænde for strømmen og vakuummotoren.

Når opsamlingstanken er fuldt fyldt med spildevand, skal du følge nedenstående trin for at dræne det hele.

Tømning af opsamlingstanken

1. Sluk for maskinen.
2. Ved at bruge gummiskraberens håndtag (14), løft visker.
3. Flyt maskinen til et dedikeret dump site.
4. Tag fat i styret (2) og forsigtigt hælde maskinen tilbage, indtil styrehjulet rører gulvet. (For docking af maskinen henvises til procedurerne i standsning af maskinen afsnit).
5. Tag dræning slange fra fiksering klip, bøj den øverste ende af dræning slange (som vist i **A**, **figur 8**), og åbn derefter dækslet af dræning slange, lavere dræning slange til et lavt niveau eller på jorden for at dræne vandet. Alternativt direkte placere



Figur 8

dræning slange til en lav position eller på jorden for at gøre vandudløbet ansigtet nedad (som vist i **B**, figur 8), og derefter vride åbne vandet dræne låg til at dræne spildevandet i tanken. Efter dræning er fuldført, anvende rent vand til at rense indersiden af opsamlingstanken.

FORSIGTIG!



Ved tømning af spildevand, skal vakuumbøret for affald foldes eller sænkes til en lavere position (som vist i figur 8 A eller B), og derefter åbne låget på vakuumbøret for affald at dræne vandet. Gør ikke udløb vakuumbøret til affald ansigt opad for at dræne vandet lodret. Dette er for at undgå spildevand spildevand på operatøren.

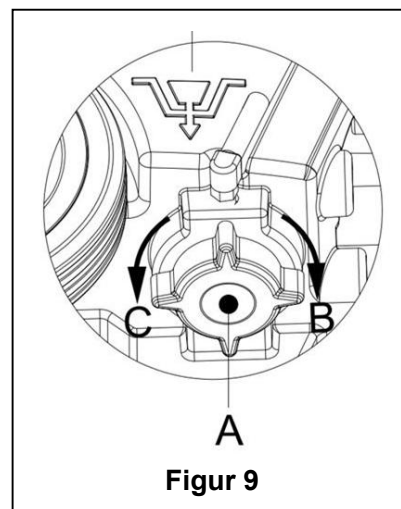
Tømning af opløsningsstank

6. Udfør trin 1 til 4.
7. Som vist i **figur 9**, drej åbne låget på Solution tank (A) mod uret langs retningen C og tøm Solution tanken helt. Brug rent vand til at rense indersiden af Vaskemiddeltank. Når arbejdet er afsluttet, drej stram låget på Solution tank (A) med uret i retning B.

EFTER BRUG AF MASKINEN

Når arbejdet er gjort, og før de forlader maskinen, afslutter de følgende trin:

1. Følg proceduren som beskrevet i førnævnte afsnit om installation og losning af børste / pude-holder, og tag børste / pude-holder.
2. Efter procedurene beskrevet i relaterede sektioner, dræne vandet helt i Løsnings tank og opsamlingstanken.
3. Gennemfør de daglige vedligeholdelsesprocedurer (se afsnittet om vedligehold).
4. Opbevar maskinen, herunder børste / pude-holder og gummiskraberen, i et rent og tørt sted. Gummiskraberen skal løftes eller tages ud.



Figur 9

BRUG FOR FØRSTE GANG

Efter at have brugt de første 9 timer, bedes du tjekke alle dele for at sikre intet er blevet løst eller beskadiget under drift, og se om der er nogen synlige skader eller lækage.

VEDLIGEHOLDELSE OG PLEJE

Levetiden og den maksimale drift sikkerhed af maskinen er sikret ved korrekt og rettidig vedligeholdelse og pleje.

Nedenstående tabel giver en generel vedligeholdelsesplan for maskinen. De tidsintervaller på vedligeholdelse bestemmes i høj grad af vilkårene for maskinen arbejder. Disse tidsintervaller skal formuleres af det personale, der har ansvaret for vedligeholdelsen.

ADVARSEL!



Først efter for strømmen til maskinen slukkes og forbindelsen mellem maskinen og batteriet er afbrudt, bør disse procedurer skal udføres. Før du fortsætter med nogen af vedligeholdelsesprocedurer, bedes studere nøje de relaterede sikkerhedsforanstaltninger sektioner.

Al vedligeholdelse i planen eller alle yderligere vedligeholdelse skal udføres af kvalificeret personale eller autoriserede servicecentre.

Denne vejledning vedrører kun den enkleste og de mest almindelige vedligeholdelsesprocedurer.

For alle andre end de i denne tabel over planlagt vedligeholdelse vedligeholdelsesprocedurer, henvises til vedligeholdelsesvejledning af servicecenteret.

TABEL FOR PLANLAGT VEDLIGEHOLDELSE

Procedure	Dagligt, efter brug af maskinen	Ugentlig	Hver 6 måneder	Årligt
Oplad batteri				
Rengør børste-/pudeholder				
Rengør vandtanke og flydefilter, inspicer tætningslister på vandtanken				
Undersøg og udskift gummiskraberens strimmel				
Rengør opløsningsfilter				
Rengør vakuummotorenfilter				
Undersøg tæthed af møtrikker og bolte			(1)	
Inspicer eller udskift kulbørster på børste-/pudeholder				(2)
Inspicer eller udskift kulbørster på vakuummotoren				(2)

(1) Det bør gøres 9 timer efter at maskinen begynder at arbejde.

(2) Disse vedligeholdelsesprocedurer skal udføres af et autoriseret VIPER servicecenter.

RENGØRING AF GUMMISKRABER

**BEMÆRK**

For at opretholde den optimale effekt af vand, skal gummiskraberens holder holdes rene, og gummiskraberens strimmel skal forblive i god stand.

**FORSIGTIG !**

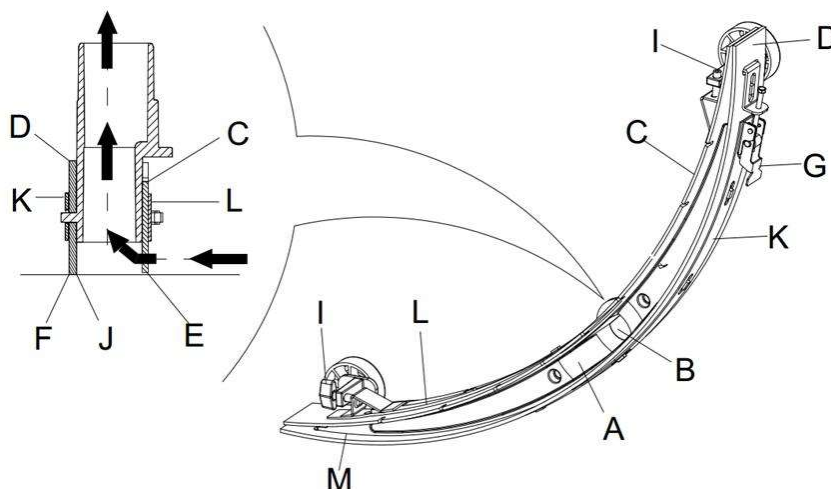
Ved rengøring af gummiskraberens holder, anbefales det at sætte på beskyttelseshandsker, da gummiskraberens holder kan indeholde skarpe fragmenter.

1. Move the machine to a flat and smooth surface.
2. Press the power switch (38) to the "O" position to turn off the machine.
3. Unscrew the fixed handle (16) of the squeegee; take off the connector connecting the Recovery Vacuum tube of the squeegee, and take off the squeegee.
4. Use the squeegee lifting handle (14) to lift the squeegee support frame.
5. Clean the squeegee (**Figure 10**). Clean in particular the groove (**A, Figure 10**) and the dirt and fragments on the Vacuum tube. Check if the front squeegee blade (C) and the rear squeegee blade (D) are intact, and if there are broken edges and cracks. Change them if necessary (refer to the steps in the following section).
6. Re-install the squeegee in the reverse order of the above.

KONTROL OG UDSKIFTNING AF GUMMISKRABER

1. Rengør gummiskraberens holder, som vist i det foregående afsnit (**Figur 10**).
2. Kontrollér, at kanten (**E, figur 10**) af det forreste blad og kanten (**F**) af det bageste blad (**D**) er på samme niveau, langs deres længde; ellers juster deres højde i henhold til følgende procedure.
 - Frigør holderne (**G**) for at justere det bageste blad (**D**) separat fra møtrikken (**M**) for justering af gummiskraberens placering. Efter justering, lås holderen igen.
 - Løsn håndhjul (**I**), og juster den forreste klinge (**C**). Efter justering, spænd derefter igen.
3. Kontrollér det forreste blad (**C**) og bageste blad (**D**) for integritet, nedskæringer og slid. Om nødvendigt udskift dem på følgende måde. Kontroller, at den forreste side (**J**) af et bageste blad ikke er slidt. Hvis det er slidt, vend bladet (hvis den anden side er intakt). Hvis den anden side også er slidt, udskift bladet ifølge nedenstående procedure:
 - Løsn klemmen (**G**) for at lade presset bladet adskilt fra beslaget (**M**), tag klippet bar (**K**), og derefter ændre eller slå den bageste gummiskraberblad (**D**) på hovedet. Geninstaller den bageste gummiskraberblad i omvendt rækkefølge for at tage det ud.
 - Løsn håndtaget skruen (**I**) og tage ud foran klip bar (**L**), og derefter ændre den forreste gummiskraberens holder (**C**).
Geninstaller den forreste gummiskraberblad i omvendt rækkefølge for at tage det ud.
Efter ændring raketbladet (eller installere på hovedet), juster niveauet for de forreste og bageste raketblade i de procedurer, som beskrevet ovenfor.
4. Tilslut vakuumslange (11) til blade.

5. Installer gummiskraberen og brug knappen (16) for at stramme den, og tilslut derefter Vacuum slange til visker.
6. Hvis det er nødvendigt, justeres gummiskraberen gennem justering håndhjulet (20) (se de nærmere vilkår for justering af balancen i gummiskraberen).



Figur 10

RENGØRING AF BØRSTE/POLERINGSPUDE



FORSIGTIG!

Risiko for rifter. Det er tilrådeligt at bære beskyttelseshandsker ved rengøring af børste/pude, fordi der kan være skarpe vragsdele.

1. Som beskrevet i tidligere kapitel, fjern børste-/pudeholderen.
2. Med brug af vand og rengøringsmidler, rengør børste-/pudeholderen.
3. Kontrollér fuldstændighed og iført tilstand af børstehårene på børsten og om nødvendigt ændre børsten.
4. Kontrollér iført tilstand af puden-holder og om nødvendigt ændre puden-holderen..

RENGØRING AF VANDTANK OG FLYDEFILTERNET

- 1 Flyt maskinen til et dedikeret dumpingssted.
- 2 Tryk på afbryderen (38) til positionen "O" for at slukke for maskinen.
- 3 Åbn opsamlingstanken låg (A, figur 11), og tag float-enheden (36) fra opsamlingstanken.
- 4 Brug rent vand til at rengøre opsamlingstanken låg (A), beholderen (B og C), og svømmeren filter bæreramme (E). Gennem Recovery rør (15), tømme alt vandet fra vandbeholderen.
- 5 Hvis det er nødvendigt, efter symbolerne "Open" og "Luk", som vist i figur 11, skal du åbne den nederste låg (F) af flyderen filteret og rengør svømmeren (D), float filter bæreramme (E), og filteret svamp (I). Efter rengøring, ordne svømmeren på float filter bæreramme (E), og derefter justere mærket rille (L) af den nederste låg (F) af flyderen filter med varemærket rille (L) af flyderen filter bæreramme (E). Drej nederste låg (F) af flyderen filter stramme og reparere filtersvampen (I) på flyderen filter bæreramme (E), og derefter på vakuumsrøret (M).
- 6 Kontrollér forsvarligheden af tætningsringen (G) i vandtankens låg.

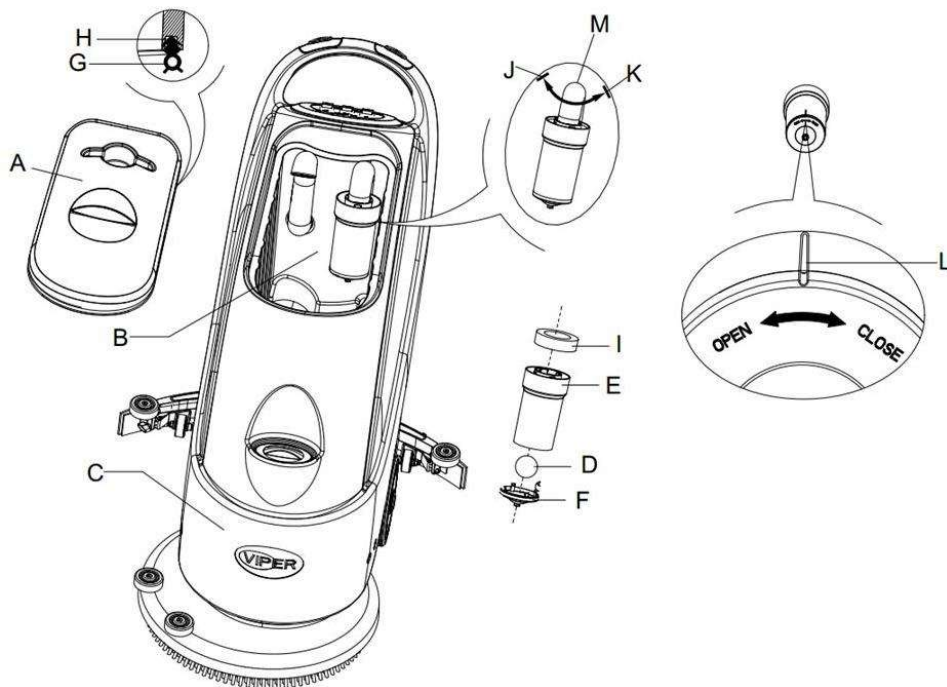


BEMÆRK

Tætningsbåndet (G) i vandtanken gør vandbeholderen skabe et vakuum. Det skal være helt lukket for at være i stand til effektivt at suge spildevand fra gulvet.

Hvis det er nødvendigt, kan tætningslisten vandtankens (G) tages ud fra rillen (H) og ændret. Ved montering af en ny vandtank tætningsliste, som vist i figur 11 nedenfor, installere stikket til den midterste del af den bageste del.

- 7 Kontrollér, om den modtagende overflade tætningslisten (G) er intakt og sæler tilstrækkeligt.
- 8 Luk opsamlingstankens låg (A).



Figur 11

RENGØRING AF OPLØSNINGSFILTER

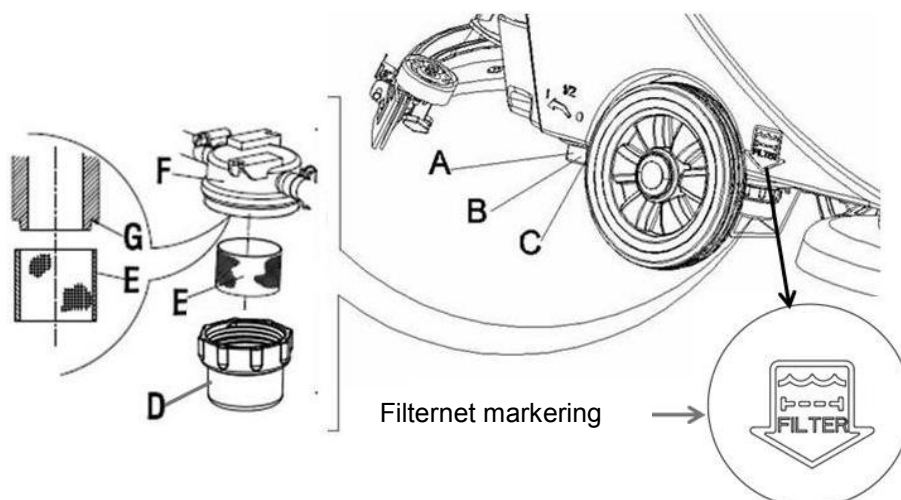
1. Tøm alt vandet fra Solution tanken på den måde, der blev indført i relaterede sektioner.
2. Flyt maskinen til et fladt og glat underlag.
3. Tryk på afbryderen (38) til position "O" for at slukke for maskinen.
4. Sluk dræning kuglehanen (A, figur 12) (placeret i bunden af maskinen, bag hjulene). Position B kugleventil åben og position C lukkes kugleventilen.
5. Tag det gennemsigtige låg (D), og derefter tage ud filteret (E), og installere dem på filteret boksen (F) efter rensning.



BEMÆRK

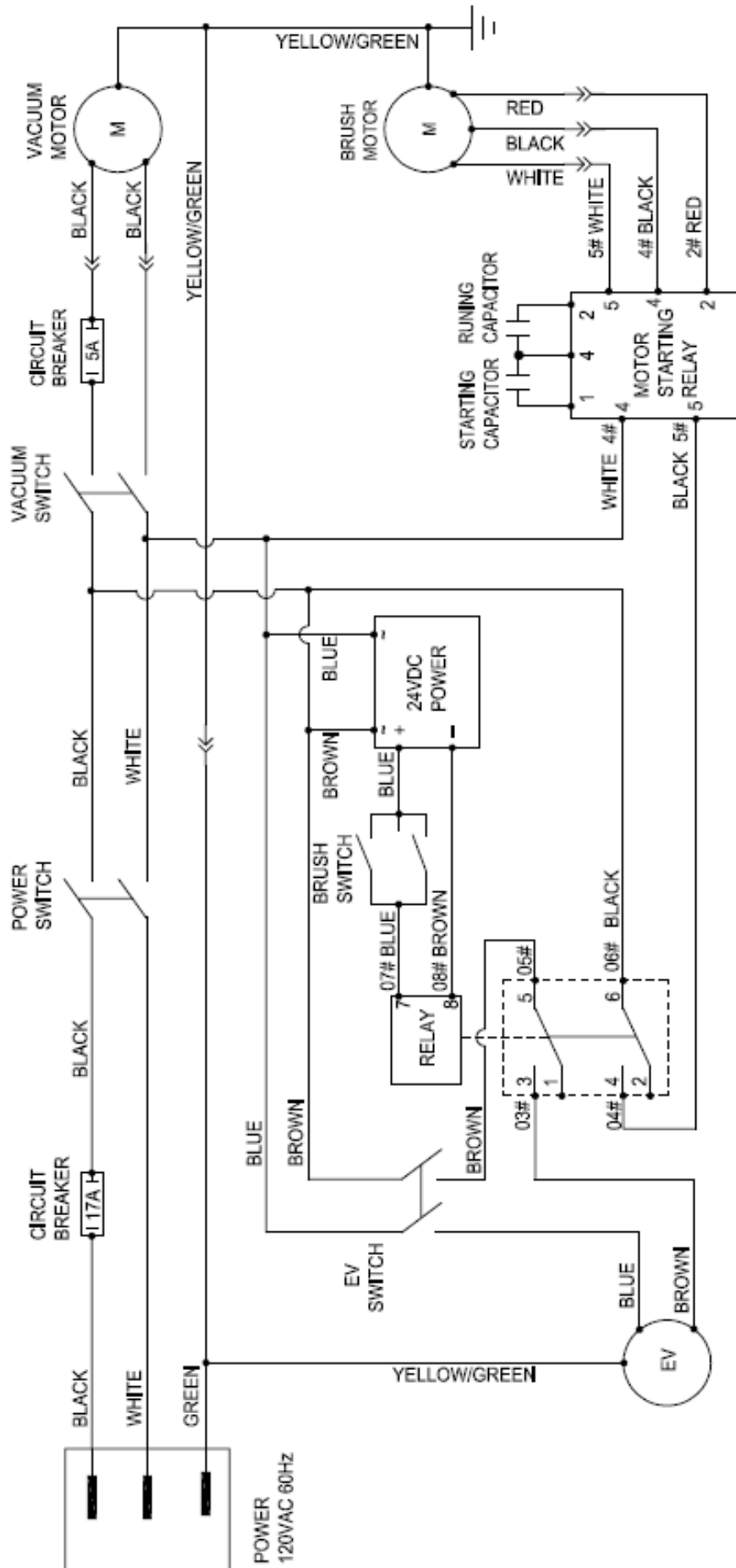
Filteret (E) skal monteres nøjagtigt på positionen af fremspringet (G).

6. Åbn dræningskugleventil (A).



Figur 12

KREDSLØBSFIGUR FOR AS430C OG AS510C



FEJLFINDING

Fejl	Mulige årsager	Løsninger
Maskinen fungerer ikke	Ledninger ikke tilsluttet korrekt eller dårlig ledningsføring	Kontroller ledningsføring eller kontakt Viper Distributør
	Defekt børstemotor	Kontakt Viper Distributør
	Kulbørste er slidt op	Kontakt Viper Distributør
Vakuummotoren fungerer ikke	Ledninger ikke tilsluttet korrekt eller dårlig ledningsføring	Kontroller ledningsføring eller kontakt Viper Distributør
	Defekt vakuummotor	Kontakt Viper Distributør
	Kulbørste er slidt op	Kontakt Viper Distributør
Svag eller ingen strøm af opløsning	Defekt kugleventil	Kontakt Viper Distributør
	Defekt opløsningsventil	Kontakt Viper Distributør
	Opsætning af kugleventil har behov for justering	Når kugleventilen er i vandret position, er mængden af opløsning maksimalt
	Filteret er beskidt.	Rens filteret
Ikke nok vakuum	Opsamlingstanken er fuld.	Tøm vandbeholderen
	Vakuumslange til affald og gummiskraberer ikke korrekt tilsluttet	Tilslut vakuumslange til affald og gummiskraberer
	Flydefilter blokeret eller indløb blokeret	Rengør flydefilter, kontroller oversugningsbeholder
	Sugefod beskidt eller gummiskraberblad slidt og beskadiget	Rengør og kontroller gummiskraberer
	Opsamlingstankens dæksel er ikke korrekt tændt eller tætningslisten er beskadiget	Sæt på låget ordentligt, eller ændre vandtanken tætningsliste
Gummiskraberer efterlader mærker	Rester som fragmenter under gummiskraberbladet	Fjern fragmenter
	Gummiskraberbladet slidt, revnet, skørt.	Udskift gummiskraberbladet
	Gummiskraberens balance ikke justeret	Juster balancen

BORTSKAFFELSE AF MASKINEN

Brug kvalificerede knusning maskine til at ødelægge denne maskine.

Før bortskaffelse af denne maskine, skal du tage væk og adskille de følgende materialer, som ifølge relaterede love og regler, skal være korrekt behandlet.

- Batteri
- Børste-/pudeholder
- Plastikslanger og plastikdel
- Elektriske og elektroniske dele (*)

(*):Kontakt venligst nærmeste VIPER Center (især hvis skrotning af elektriske og elektroniske komponenter er påkrævet).

INNEHÅLLSFÖRTECKNING

INLEDNING	245
HANDBOKENS INNEHÅLL.....	245
SYFTE	245
RESERVDELAR OCH UNDERHÅLL.....	245
FÖRÄNDRINGAR OCH FÖRBÄTTRINGAR	245
ANVÄNDNINGSSOMRÅDEN.....	245
IDENTIFIKATIONSUPPGIFTER	245
UPPACKNING/TRANSPORT	245
ALLMÄNNA SÄKERHETSFÖRESKRIFTER	246
TEKNISKA DATA	247
MASKINBESKRIVNING.....	247
MASKINENS STRUKTUR.....	247
KONTROLLPANEL.....	248
ANVÄNDNINGSGUIDE.....	249
INNAN MASKINEN STARTAS	249
INSTALLERA OCH DEMONTERA BORSTE/DYNHÅLLARE.....	249
JUSTERA BALANSEN PÅ GUMMISKRAPAN	249
REGLERA VATTENFLÖDETS VOLYM.....	250
START OCH STOPP AV MASKIN.....	250
MASKINDRIFT (RENGÖRING OCH TORKNING)	251
TÖMMA BEHÅLLAREN	251
EFTER ATT HA ANVÄNT MASKINEN	252
ANVÄNDNING FÖR FÖRSTA GÅNGEN.....	252
UNDERHÅLL OCH SKÖTSEL	252
TABELL ÖVER PLANERAT UNDERHÅLL	253
RENGÖRING AV GUMMISKRAPA.....	253
KONTROLL OCH UTBYTE AV GUMMISKRAPANS BLAD.....	253
RENGÖRING AV BORSTE/POLERINGSDYNA.....	254
RENGÖRING AV VATTENBEHÅLLARE OCH OCH FLYTANDE FILTER.....	254
RENGÖRING AV LÖSNINGSFILTER.....	255
KRETSSCHEMA FÖR AS430C OCH AS510C.....	256
FELSÖKNING	257
BORTSKAFFANDE AV MASKIN.....	257

INLEDNING



OBS!

Siffrorna inom parentes hänvisar till de komponenter som visas i avsnittet Maskinbeskrivning.

HANDBOKENS INNEHÅLL

Den här bruksanvisningen ska ge operatören nödvändig information för att använda maskinen på ett korrekt och säkert sätt. Informationen omfattar tekniska data, säkerhet, drift, lagring, underhåll och avyttring av maskinen. Operatören och teknikern med tillhörande kvalifikationer måste studera handboken noga före drift och underhåll av denna maskin. Kontakta VIPER för frågor angående denna handbok eller om ytterligare information behövs.

SYFTE

Avsikten med denna handbok är att göra det möjligt för operatören och den kvalificerade teknikern att utföra underhåll av denna maskin.

Operatören får inte utföra åtgärder som endast bör utföras av tekniker. VIPER kommer inte att ansvara för eventuella skador som orsakats av brott mot denna regel.

RESERVDELAR OCH UNDERHÅLL

All drift, underhåll och reparation måste utföras av kvalificerad personal eller av ett VIPER-servicecenter. Endast godkända reservdelar och tillbehör bör användas.

Om du behöver service eller beställa reservdelar, kontakta VIPER med maskinens modellnummer och serienummer.

FÖRÄNDRINGAR OCH FÖRBÄTTRINGAR

VIPER gör kontinuerliga förbättringar på sina produkter. VIPER förbehåller sig rätten att ändra och förbättra maskinerna, och även rätten att besluta om fördelarna till följd av ändringarna är tillämpliga på produkter som redan sålts. Alla ändringar eller extra tillbehör måste godkännas av VIPER och måste utföras av företaget.

ANVÄNDNINGSSOMRÅDEN

Denna skrubber används i hemma- och industriell miljö, och är lämplig för rengöring av mjuka och hårda golv (skurning och uppsamling av smutsvatten). Det måste användas av kvalificerade operatörer och i en säker miljö. Denna skrubber kan inte användas för rengöring utomhus, av mattor och av relativt grova golv.

IDENTIFIKATIONSUPPGIFTER

Maskinens modell och serienummer finns på namnskylten (4).

Denna information är användbar vid förfrågan av reservdelar till maskinen. Använd följande tabell för att skriva ner maskinens identifieringsuppgifter.

MASKINMODELL.....
MASKINENS serienummer.....

UPPACKNING/TRANSPORT

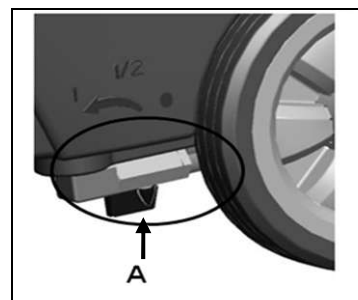
Följ noga instruktionerna på förpackningen vid uppackning.

Vid leverans, kontrollera förpackningen och maskinen för att säkerställa att ingen skada har skett under transporten. Om det finns några synliga skador, håll den ursprungliga formen, och be transportören att bekräfta och fylla i en lista för skadeståndersättning.



– FÖRSIKTIGHET

När du packar upp och lossar eller under flytt av maskinen över trappsteg, se till att undvika att slå emot strömbrytaren som reglerar vattenflödet, del A i figuren till höger.



Kontrollera om maskinen är utrustad med följande:

1. Tekniska dokument

14. Bruksanvisning för skrubber

ALLMÄNNA SÄKERHETSFÖRESKRIFTER

Följande är särskilda varningar och meddelanden om potentiella skador (personal och maskin):

**VARNING!**

19. Maskinen får endast användas under ledning av denna handbok. Endast tillbehör som godkänts av VIPER bör användas.
20. Denna maskin får användas endast av utbildad eller behörig personal. Barn eller olämpliga personer får inte använda denna maskin.
21. När du arbetar nära elektriska delar, ha inte på dig smycken. Vidta alla försiktighetsåtgärder för att undvika att hår, smycken och löst sittande kläder fastnar i maskinens rörliga delar.
22. Använd inte maskinen i mycket smutsiga miljöer. Tvätta inte maskinen med vatten. Låt inte maskinen komma i kontakt med frätande vätskor.
23. Temperaturen för maskinens lagring och arbetsmiljö måste vara mellan 0 och 40 °C.
24. Luftfuktigheten bör vara mellan 30 % - 105 %.
25. Använd inte maskinen på en sluttning med en lutning på mer än 2 %.
26. Vid brand, använd en pulverbrandsläckare. Använd inte flytande brandsläckare.
27. Särskild uppmärksamhet bör ägnas när maskinen transporteras vid temperaturer under 0 °C. Vattenbehållaren och vattnet i slangarna kan frysa och orsaka allvarliga skador på maskinen.
28. Använd de borstar och dynor som levereras med maskinen eller anges i handboken. Användning av andra borstar eller dynor kan minska säkerheten.
29. Vid fel på maskinen, kontrollera att den inte orsakas av brist på underhåll. Om den orsakas av andra skäl, sök hjälp hos behörig personal eller servicecenter.
30. Om det bekräftas att reservdelar måste bytas ut, kontrollera att de är originaldelar som säljs av auktoriserade återförsäljare och agenter.
31. För att garantera en säker och korrekt drift av maskinen, låt behörig personal eller servicecenter utföra det planerade underhållet enligt underhållsplaner i relaterade avsnitt av handboken.
32. Denna maskin måste bortskaffas på ett korrekt sätt eftersom det kan finnas giftiga och farliga material, som måste tas om hand av särskilda centra i enlighet med gällande lagar och förordningar (se avsnittet bortskaffning av maskin).

TEKNISKA DATA

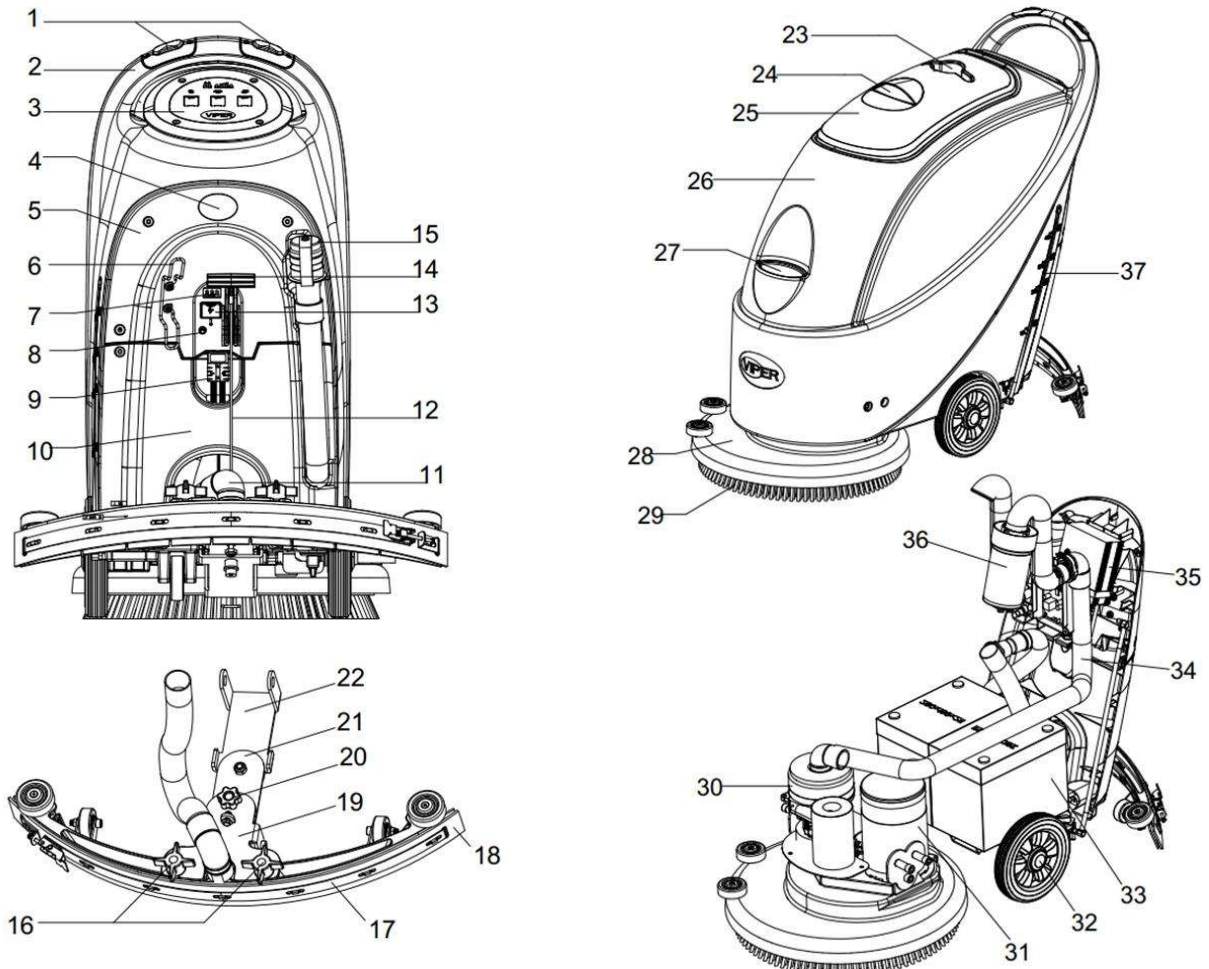
Modell	AS430C	AS510C
Maskinens höjd	980 mm	
Lösningsbehållarens volym	50 liter	
Återvinningsbehållarens volym	50 liter	
Diameter på transporthjul	200 mm	
Diameter på hjälphjul	63.5 mm	
Vakuumsystemets motoreffekt	400 W	
Maximal lutning vid drift	2 % (max)	
Ljudtrycksnivå vid arbetsstation	70 db(A) ±3 dB(A)	
Kabellängd	20m	
Vakuumsystemets kretskapacitet	1200 mm H ₂ O	
Rengöringsbredd	430 mm	510 mm
Gummiskrapans bredd	730 mm	790 mm
Maskinens maximala längd	1060 mm	1100 mm
Maskinens bredd utan gummiskrapa	480 mm	540 mm
Borstdiameter	430 mm	510 mm
Vikt med tomma behållare	70 kg	74 kg
Maskinens bruttovikt när den är klar för användning	120 kg	124 kg
Borstmotoreffekt	750 W	
Borsthastighet	150 rpm	
Borst-/dynhållarens maximala tryck	30 kg (max)	35 kg (max)
Förpackningens storlek (L x B x H)	1200 x 610 x 1170 mm	

MASKINBESKRIVNING**MASKINENS STRUKTUR**

- | | |
|---|--|
| 1. Säkerhetsbrytare | 20. Gummiskrapans justeringsratt |
| 2. Styrstång | 21. Gummiskrapans bakre stödram |
| 3. Kontrollpanel | 22. Gummiskrapans främre stödram |
| 4. Serienummerskylt/tekniska data/överensstämmelse certifiering | 23. Mugghållare |
| 5. Kontrollock | 24. Återvinningsbehållarens lockhandtag |
| 6. data saknas | 25. Återvinningsbehållarens lock |
| 7. data saknas | 26. Behållare |
| 8. Återställningsknapp | 27. Lock för vatteninlopp |
| 9. Strömkabel | 28. Borstdäck |
| 10. Batterilock | 29. Borst-/dynhållare |
| 11. Vacuumrör för avfall | 30. Vakuumsystemets motor |
| 12. Gummiskrapans dragsladd | 31. Borstmotor |
| 13. data saknas | 32. 8" hjul |
| 14. Lyfthandtag för gummiskrapa | 33. data saknas |
| 15. Tömningsslang | 34. Vacuumrör |
| 16. Gummiskrapans fasta vrede | 35. Elcentral |
| 17. Gummiskrapans fäste | 36. Flytande filter |
| 18. Gummiskrapans blad | 37. Vattennivårör (för att visa mängden vatten i lösningsbehållaren) |
| 19. Gummiskrapans stödram | |

(*) tillämpas endast på maskiner med inbyggd laddare (tillval)

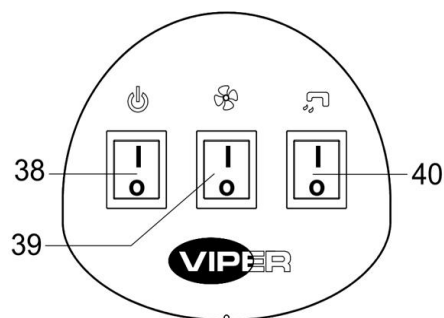
BILDER PÅ MASKINENS STRUKTUR



Figur 1

KONTROLLPANEL (figur 2)

- 38. Strömbrytare
- 39. Vakuumbrytare
- 40. Magnetventilknapp



Figur 2

ANVÄNDNINGSGUIDE

VARNING

På vissa delar av maskinen finns vissa vägledande skyltar:



- FARA
- VARNING
- FÖRSIKTIGHET
- RÅD

Vid läsning av bruksanvisningen, måste operatören vara uppmärksam på symbolerna på dessa skyltar. Dessa skyltar får absolut inte täckas över. Om de är skadade, byt ut dem omedelbart.

INNAN MASKINEN STARTAS

INSTALLERA OCH DEMONTERA BORSTE/DYNHÅLLARE



OBS!

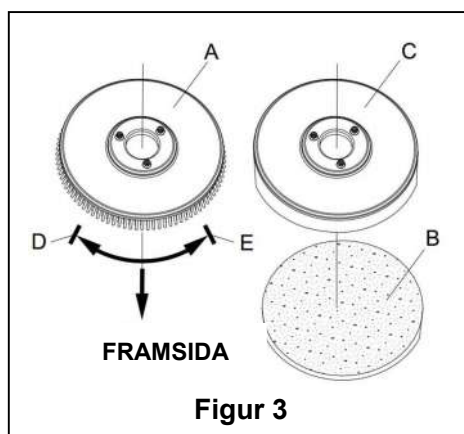
Beroende på vilken typ av golv som ska rengöras, kan maskinen installeras med borste (figur 3, A) eller en dynhållare (figur 3, B och C).



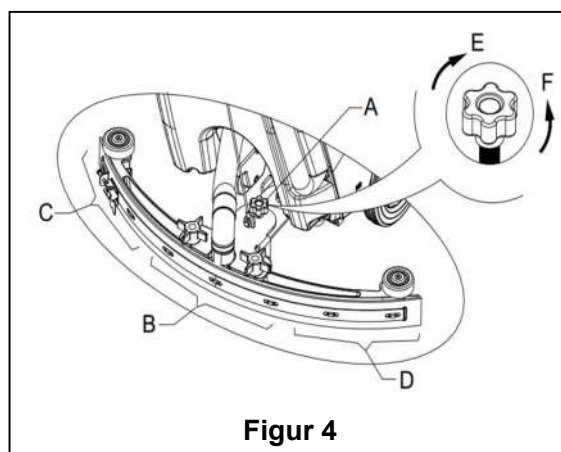
FÖRSIKTIGHET!

Vid manuell installation eller demontering av borste/dynhållaren, kontrollera först att alla knapparna är i avstängt läge och lyft gummiskrapan från golvet. Endast efter det kan man utföra arbeten på borste/dynhållaren. Använd skyddshandskar för att undvika skärsår.

1. (Gäller endast **AS430C** och **AS510C**): Kontrollera att strömkabeln (9) är frånkopplad från elnätet och strömbrytaren (38) är avstängt läge (O).
2. Tryck ner styret (2) för att lyfta behållaren (26).
3. Placera borsten (A) eller dynhållaren (B-C) under höljet.
4. Använd styret (2) för att sänka behållaren (26) så att den kommer i kontakt med borsten eller dynhållaren.
5. För att installera borsten/dynhållaren automatiskt, tryck strömbrytaren (38) till "I"-läge och tryck på säkerhetsbrytaren (1). Tryck försiktigt maskinen framåt så att remhjulet längst ner på behållaren justeras med borsten eller dynhållaren som då kan installeras. Släpp sedan säkerhetsbrytaren. Vid behov upprepa proceduren tills borsten/dynhållaren installeras.
6. Om steg 5 ovan visar sig vara svårt, använd den manuella metoden genom att följa pilen (D) för att installera borsten/dynhållaren (som visas i **figur 3**).
7. För att lossa borsten/dynhållaren automatiskt, tryck strömbrytaren (38) till "O"-läge. Använd handen för att hålla styret och skjut maskinen nedåt tills styrhjulet vidrör golvet och borsten/dynhållaren hänger i luften. Tryck strömbrytaren (38) till "I"-läge och tryck på säkerhetsbrytaren så att borsten eller dynhållaren snurrar tills den ramlar ned på golvet.
8. Om steg nr 7 ovan visar sig vara svårt, använd den manuella metoden genom att vrida borsten / dynhållaren i motsatt riktning tills den kan tas av (som visas i **figur 3**).



Figur 3



Figur 4

JUSTERA BALANSEN PÅ GUMMISKRAPAN

9. Installera gummiskrapan och skruva fast den med vredet (16). Anslut sedan vakuümörret (11) till gummiskrapan.
10. Justera gummiskrapan genom dess justeringshandtag (A) (se **figur 4**).

- 1) Om det finns ett mellanrum mellan golvet och den mellersta delen av den bakre gummiskrapan (del B) eller trycket är relativt lätt, justera handtaget moturs tills hela längden på den bakre gummiskrapan berör golvet. Den främre gummiskrapan bör lätt kontakt med golvet.
- 2) Om det finns ett mellanrum mellan golvet och de två ändarna på den bakre gummiskrapan (del C och D) eller trycket är relativt lätt, justera handtaget medurs tills hela längden på den bakre gummiskrapa berör golvet. Den främre gummiskrapan bör lätt kontakt med golvet.

Fylla på lösningsbehållaren



FÖRSIKTIGHET!

Endast lågskummande, kan ej brandfarliga rengöringsmedel får användas. Dessa rengöringsmedel måste vara lämpliga för skrubbmaskiner.

11. Öppna locket till vatteninloppet (27) och tillsätt vatten till lösningsbehållaren. Fyll inte på för mycket. Fylla upp till kanten av filterhållaren är tillräckligt. Vid förberedelse av rengöringslösningar, följ de utspädningsförhållanden som anges av tillverkaren och vattentemperaturen får inte överstiga 40 °C.

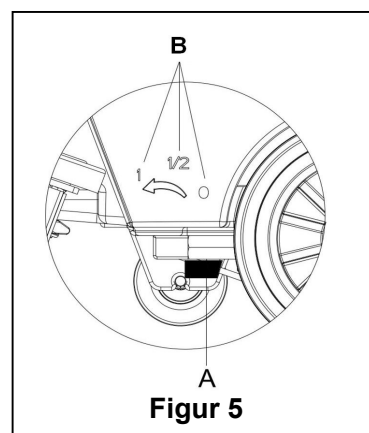
REGLERA VATTENFLÖDETS VOLYM



VARNING!

Reglering av kulventilens handtag (A, figur 5) måste göras när strömbrytaren (38) är i "O"-läge.

12. Vattenflödets volym kan justeras genom kulventilens handtag (A, figur 5) med tanke på den mängd vatten som behövs för att skura golvet.



Figur 5

START OCH STOPP AV MASKIN

Starta maskinen

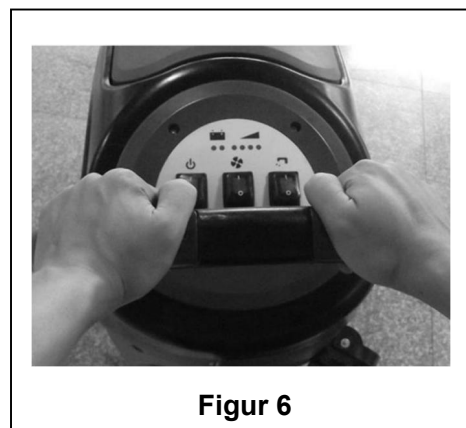
1. Genomför de förberedande stegen enligt ovan.
2. Anslut strömkabeln (9) till ett motsvarande eluttag och tryck på strömbrytaren (38) till "I"-läge.
3. Använd gummiskrapans handtag (14) för att sänka gummiskrapan.
4. Tryck på vakuumpumpens strömbrytare (39) till "I"-läge.
5. Tryck på kontrollknappen för vattenflödet (40) till "I"-läge. (Arbeta samtidigt med säkerhetsbrytaren (1) för att styra magnetventilens arbete.)
6. Håll säkerhetsbrytaren (1) och skjut maskinen så att den flyttas. Borsten (29) börjar rotera och maskinen börjar sitt rengöringsarbete.



RÅD: Hur man skjuter maskinen

En av egenskaperna hos maskinen är installationen av två brytare på styrets båda sidor. Varje säkerhetsbrytare kan självständigt kontrollera borstens drift. Det underlättar kontroll av maskinens drift.

Den metod som är mest lämplig för att flytta maskinen visas i figur 6. Den är mer bekväm för användaren och minskar arbetströtthet. Användare rekommenderas att flytta maskinen på detta sätt.



Figur 6

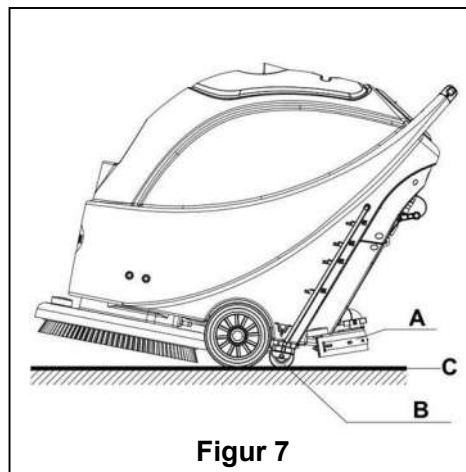
Stänga av maskinen.

7. När du är klar med maskinen, lossa först borsten/dynhållaren (se stegen i avsnittet om installation och avmontering av borsten/dynhållaren).
8. Frigör säkerhetsbrytaren (1) för att stänga av borsten/dynhållaren och magnetventilen.
9. Tryck på vakuumpumpens knapp (39) till "O"-läget och vakuumpumpen fördröjs i 5 sekunder innan den slutar köras.
10. Tryck på kontrollknappen för vattenflödet (40) till "O"-läget för att helt stänga av magnetventilen.
11. Tryck på strömbrytaren (38) till "O"-läge. Och koppla bort strömkabeln (9) från elnätet.

12. Lyft upp gummiskrapan med hjälp av lyfthandtaget (14).
13. Ta tag i styret (2) och luta maskinen försiktigt bakåt tills styrhjulet (B) vidrör golvet. Se **figur 7**.

MASKINDRIFT (RENGÖRING OCH TORKNING)

1. Starta maskinen enligt beskrivningen ovan.
2. Håll säkerhetsbrytaren (1) (på det sätt som visas i **figur 6**), tryck för att flytta maskinen och starta rengöringen.
3. Vid behov, stäng av maskinen och justera regleringshandtaget på gummiskrapan. (Se stegen för att justera balansen på gummiskrapan)
4. Vid behov, stäng av maskinen och justera vattenflödet med hjälp av handtaget på kulventilen. (Se stegen för att justera volymen av vattenflödet.)



Figur 7



FÖRSIKTIGHET!

För att undvika att skada golvet, när maskinen stannar på ett ställe utan att flytta, stäng av strömbrytaren (38).

TÖMMA BEHÅLLAREN

När återvinningsbehållaren är full, blockerar en flottör i den automatiska flytande avstängningsenheten (36) inloppet till vakuumpumpen. Om bullret från vakuumpumpen plötsligt ökar betyder det att vakuumpumpen är överbelastad och en omedelbar tömning av smutsvattnet behövs.



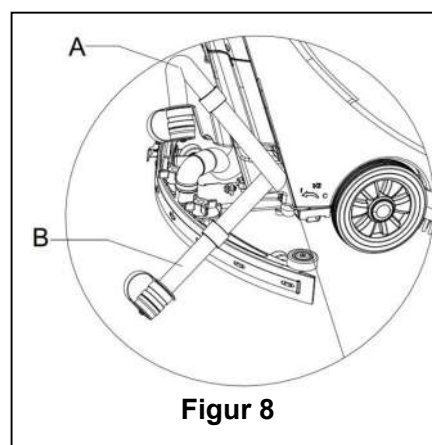
FÖRSIKTIGHET!

Om vakuummotorn stängs av plötsligt (t.ex. eftersom maskinen plötsligt flyttas som leder till en aktivering av flottören) och om ett återupptagande av driften behövs, utför följande steg: Tryck på strömbrytaren (38 och 39) för att stänga av strömmen och vakuummotorn och öppna återvinningsbehållarens lock (25) för att kontrollera om flottören har återvänt till vattenytan. Stäng sedan locket på återvinningsbehållaren (25) och tryck på strömbrytaren (38 och 39) för att slå på strömmen och vakuummotorn.

När återvinningsbehållaren är helt full med smutsvatten, utför följande steg för att tömma den.

Tömma återvinningsbehållaren

1. Stäng av maskinen.
2. Använd gummiskrapans handtag (14) för att lyfta upp gummiskrapan.
3. Flytta maskinen till en avsedd tömningsplats.
4. Ta tag i styret (2) och luta maskinen försiktigt bakåt tills styrhjulet (B) vidrör golvet. (För dockning av maskinen se avsnittet i stoppa maskinen.)
5. Ta av tömningsslangen från fästet, böj den övre änden av slangen (som visas i **A, figur 8**) och öppna sedan locket på tömningsslangen, sänk tömningsslangen till en låg nivå eller lägg den på marken för att tömma vattnet. Eller sänk tömningsslangen till en låg nivå eller lägg den på marken så att vattenutloppet är vänt nedåt (som visas i **B, figur 8**) och öppna sedan locket på tömningsslangen så att smutsvattnet rinner ut. Efter att tömningen är klar, använd rent vatten för att rengöra insidan av återvinningsbehållaren.



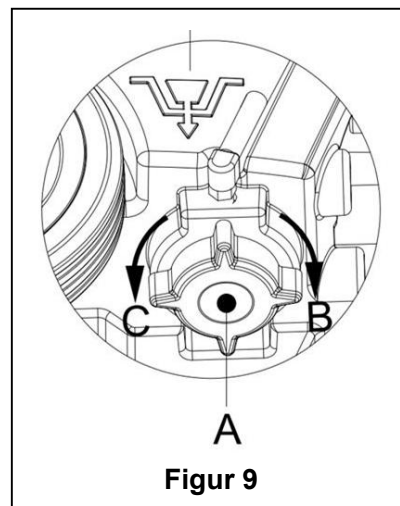
Figur 8

**FÖRSIKTIGHET!**

När man tömmer smutsvatten, måste vakuurröret fällas ihop eller sänkas till en lägre position (som visas i figur 8 A eller B) och öppna sedan locket till vakuurrör för att tömma vattnet. Låt inte vakuurröret vara vänt uppåt för att tömma vattnet till ett vertikalt utlopp. Detta är att undvika att smutsvatten rinner ut på operatören.

Tömma lösningsbehållaren

6. Utför steg 1 till 4.
7. Som visas i **figur 9**, öppna locket till lösningsbehållaren (A) genom att vrida moturs mot riktning C och töm lösningsbehållaren helt. Använd rent vatten för att rengöra insidan av lösningsbehållaren. När arbetet är färdigt, vrid fast locket till lösningsbehållaren (A) medurs i riktning B.

**Figur 9****EFTER ATT HA ANVÄNT MASKINEN**

När arbetet är utfört och innan man lämnar maskinen, utför följande steg:

1. Följ proceduren som beskrivs i ovan nämnda avsnitt om installation och demontering av borsten/dynhållaren och ta bort borsten/dynhållaren.
2. Följ de åtgärder som beskrivs i relaterade avsnitt, töm vattnet helt i lösningsbehållaren och återvinningsbehållaren.
3. Genomför dagligt underhåll (se avsnittet om underhåll).
4. Förvara maskinen med borst-/dynhållaren och gummiskrapan på en ren och torr plats. Gummiskrapan bör lyftas upp eller tas bort.

ANVÄNDNING FÖR FÖRSTA GÅNGEN

Efter drift under de första 9 timmarna, kontrollera alla delar för att se till att ingenting har lossnat eller skadats och kontrollera om det finns några synliga skador eller läckage.

UNDERHÅLL OCH SKÖTSEL

Maskinens livslängd och maximala driftsäkerhet säkerställs av korrekt och lämpligt underhåll och skötsel. Följande tabell ger en allmän underhållsplan för maskinen. Tidsintervall för underhåll bestäms i stor utsträckning av maskinens driftsförhållanden. Dessa intervall bör utformas av personalen som ansvarar för underhåll.

**VARNING!**

Först efter strömmen till maskinen är avstängd och anslutningen mellan maskinen och batteriet är fränkopplad bör dessa åtgärder utföras. Innan underhåll utförs, läs noggrant igenom avsnitten om säkerhet.

Allt underhåll i planen eller allt extra underhåll måste utföras av kvalificerad personal eller auktoriserade servicecentra.

Denna handbok gäller endast för enkla och vanliga underhållsrutiner.

För eventuella underhållsrutiner än de som anges i den här tabellen för planerat underhåll, se handboken för underhåll på servicecentret.

TABELL ÖVER PLANERAT UNDERHÅLL

Åtgärd	Dagligen, maskin efter användning	Varje vecka	Varje halvår	Årligen
Ladda batteri				
Rengör borst-/dynhållare				
Rengör vattenbehållaren och flytande vattenfilter, kontrollera vattenbehållarens försegling				
Kontrollera och byt ut gummiskrapans blad				
Rengör lösningsfilter				
Rengör vakuummotorn filter				
Kontrollera att skruvar och muttrar är åtdragna			(1)	
Kontrollera eller byt ut motorns kolborste på borst-/dynhållaren				(2)
Kontrollera eller byt ut kolborsten på vakuummotorn				(2)

(1) Det ska göras 9 timmar efter att maskinen börjat arbeta.

(2) Dessa underhållsåtgärder måste utföras av en auktoriserad VIPER serviceverkstad.

RENGÖRING AV GUMMISKRAPA



OBS!

För att bibehålla den optimala effekten av vattenvakuum, måste gummiskrapan hållas ren och gummiskrapans blad hållas i gott skick.



FÖRSIKTIGHET!

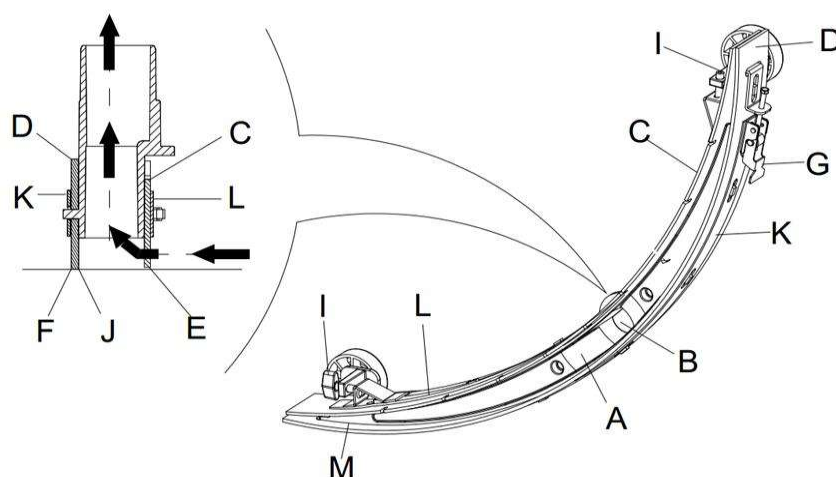
Vid rengöring av gummiskrapan, rekommenderar vi att man använder skyddshandskar eftersom gummiskrapan kan ha vassa delar.

1. Flytta maskinen till en plan och jämn yta.
2. Stäng av maskinen genom att trycka strömbrytaren (38) till "O"-läge.
3. Skruva loss gummiskrapans vrede (16), ta av kontakten som ansluter vakuumröret till gummiskrapan och ta sedan bort gummiskrapan.
4. Lyft upp gummiskrapan med hjälp av lyftbandet (14).
5. Rengör gummiskrapan (**figur 10**). Rengör i särskilt noga fåran (**A, figur 10**) och ta bort smuts och fragment från vakuumröret. Kontrollera om den främre gummiskrapans blad (C) och den bakre gummiskrapans blad (D) är hela, och att det inte finns några trasiga kanter och sprickor. Byt ut dem om det behövs (se stegen i avsnittet nedan).
6. Installera gummiskrapan i omvänd ordning.

KONTROLL OCH UTBYTE AV GUMMISKRAPANS BLAD

1. Rengör gummiskrapan genom att följa tillvägagångssätten i föregående avsnitt (**figur 10**)
2. Kontrollera kanten (**E, figur 10**) på den främre gummiskrapans blad och kanten (F) på den bakre gummiskrapans blad (D). På hela längden, bör de vara på samma nivå. I annat fall justera deras höjder genom följande procedur.
 - Lossa klämman (G) så att den bakre gummiskrapans blad (D) lossnar från fästet (M) för att justera gummiskrapans läge. Efter justeringen, sätt fast fästet igen.
 - Lossa skruven på handtaget (I) för att justera den främre gummiskrapans blad (C). Dra åt handtaget efter justering.
3. Kontrollera om den främre gummiskrapans blad (C) och den bakre gummiskrapans blad (D) är hela, och att det inte finns några trasiga kanter och sprickor. Vid behov, byt ut dem enligt följande sätt. Kontrollera om den främre kanten på den bakre gummiskrapans blad (J) är utsliten. Om den är utsliten, den kan installeras upp och ner (överkanten måste vara intakt). Om den övre kanten också är utsliten, byt ut den genom att följa anvisningarna nedan:

- Lossa klämman (G) så att tryckplattan lossnar från fästet (M), ta bort klämman (K), och byt sedan ut eller vänd den bakre gummiskrapans blad (D) upp och ner. Montera tillbaka det bakre bladet i omvänd ordning.
 - Lossa handtagets skruv (I) och ta bort den främre klämman (L) och byt sedan ut den främre gummiskrapan (C).
Montera tillbaka det främre bladet i omvänd ordning.
Efter att ha bytt ut gummiskrapans blad (eller monterat dem upp och ner), justera nivån på de främre och bakre bladen enligt de förfaranden som beskrivs ovan.
4. Anslut sugslangen (11) till gummiskrapan.
 5. Installera gummiskrapan och använd vredet (16) för att skruva fast den och anslut sedan sugslangen till gummiskrapan.
 6. Om nödvändigt, justera gummiskrapan genom justeringsratten (20) (se förfarandena för att justera gummiskrapans balans).



Figur 10

RENGÖRING AV BORSTE/POLERINGSDYNA



FÖRSIKTIGHET!

Vid rengöring av borsten/dynhållaren rekommenderas att man använder skyddshandskar eftersom de kan innehålla vassa fragment.

1. På samma sätt som visades i tidigare avsnitt, ta bort borsten/dynhållaren.
2. Rengör borst-/dynhållaren med vatten och rengöringsmedel.
3. Kontrollera att borsten är hel och att stråna inte är utnötta och byt ut borsten om det behövs.
4. Kontrollera att dynan inte är utnött och byt ut dynan om det behövs.

RENGÖRING AV VATTENBEHÅLLARE OCH OCH FLYTANDE FILTER

1. Flytta maskinen till en avsedd tömningsplats.
2. Stäng av maskinen genom att trycka strömbrytaren (38) till "O"-läge.
3. Öppna återvinningsbehållarens lock (A, figur 11), och ta bort flytenheten (36) från återvinningsbehållaren.
4. Använd rent vatten för att rengöra återvinningsbehållarens lock (A), behållaren (B och C), och det flytande filtrets stödrum (E). Töm allt vatten från återvinningsbehållaren genom återvinningsröret (15).
5. Vid behov, följ symbolerna "Öppna" och "Stäng" som visas i figur 11 för att öppna bottenlocket (F) på flottörfiltret och rengör sedan flottören (D), filtrets stödrum (E) och filterdynan (I). Efter rengöring, sätt fast flottören (D) i filtrets stödrum (E) och justera sedan märkskåran (L) på det nedre locket (F) av filtret med märkskåran (L) på filtrets stödrum (E). Skruva fast bottenlocket (F) på flottörfiltret och sätt fast filterdynan (I) på stödrumen (E) och sedan på sugslangen (M).
6. Kontrollera att tätningringen (G) på återvinningsbehållarens lock är hel.



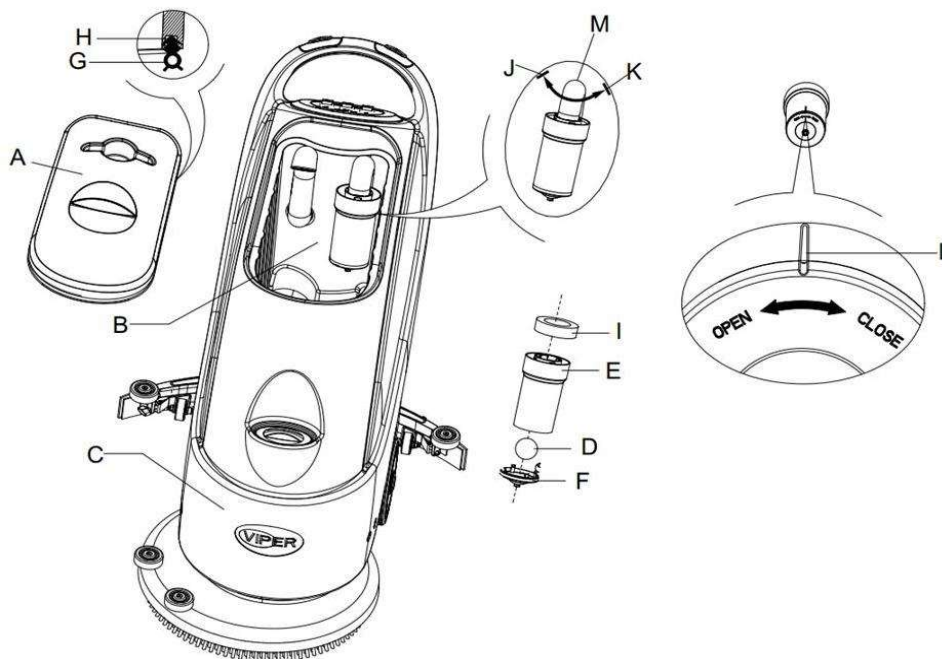
OBS!

Förseglingen (G) på vattenbehållaren gör att den skapar ett vakuum. Den måste vara helt förseglad för att kunna effektivt suga upp smutsvattnet från golvet.

Om nödvändigt, kan tätningen på vattenbehållaren (G) tas från skåran (H) och bytas ut. Vid montering av en ny tätning, som visas i **figur 11** nedan, installera kontakten till den mellersta delen av den bakre delen.

7 Kontrollera att tätningen (G) på mottagande yta är intakt och tät.

8 Stäng locket till återvinningsbehållaren (A).



Figur 11

RENGÖRING AV LÖSNINGSFILTER

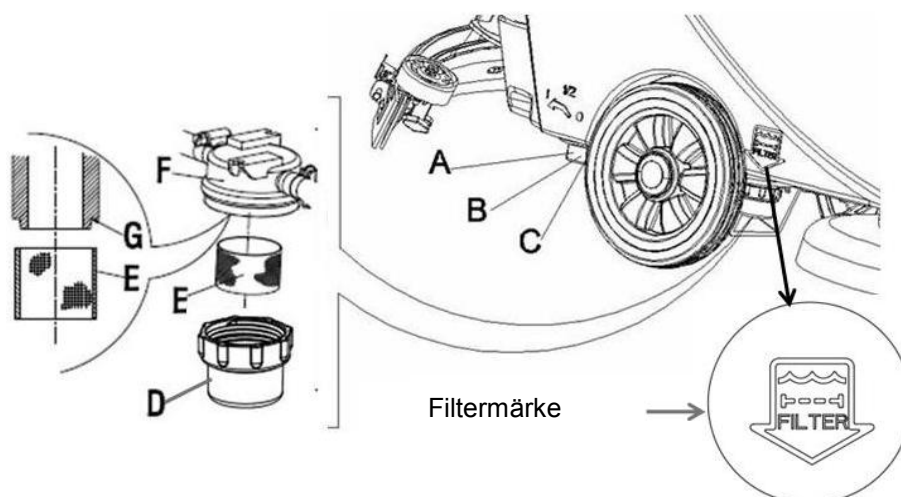
1. Töm allt vatten från lösningsbehållaren på samma sätt som visades i motsvarande avsnitt.
2. Flytta maskinen till en plan och jämn yta.
3. Stäng av maskinen genom att trycka strömbrytaren (38) till "O"-läge.
4. Stäng av kulventilen (A, **figur 12**) (ligger på botten av maskinen, bakom hjulen). Läge B - kulventil öppen och läge C - kulventil stängd.
5. Ta av det genomskinliga locket till ventilen (B), och ta sedan bort filtret (C), installera dem till filterlådan (D) efter rengöring.



OBS!

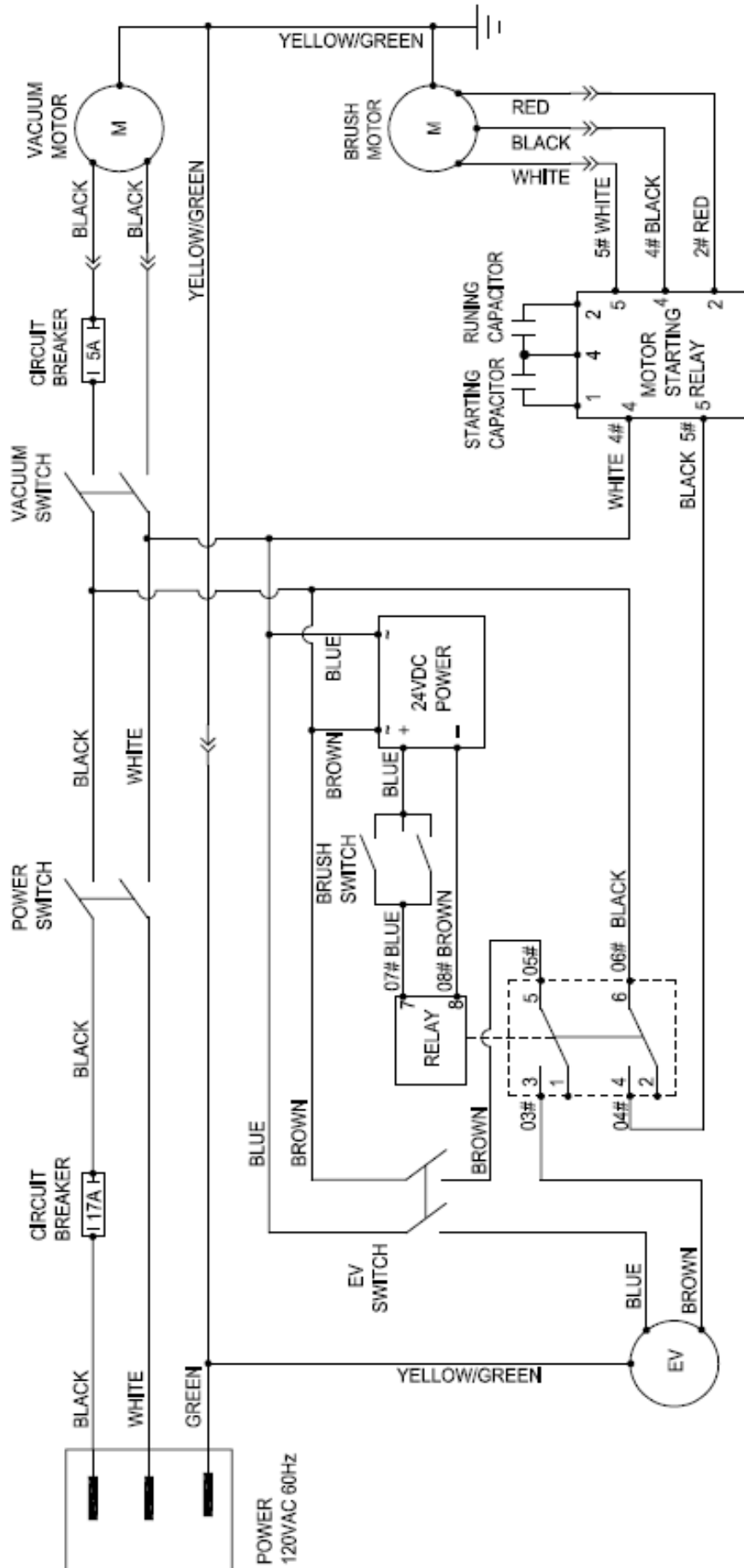
Filtret (E) måste installeras korrekt i läge för projektion (G).

6. Öppna kulventilen (A).



Figur 12

KRETSSCHEMA FÖR AS430C OCH AS510C



FELSÖKNING

Problem	Möjliga orsaker	Åtgärder
Maskinen fungerar inte	Ledningarna är inte korrekt anslutna eller felaktiga	Kontrollera ledningarna eller kontakta en Viper-distributör
	Dålig borstmotor	Kontakta en Viper-distributör
	Utslitna kolborstar	Kontakta en Viper-distributör
Vakuummotorn fungerar inte	Ledningarna är inte korrekt anslutna eller felaktiga	Kontrollera ledningarna eller kontakta en Viper-distributör
	Dålig vakuummotor	Kontakta en Viper-distributör
	Utslitna kolborstar	Kontakta en Viper-distributör
Lågt eller inget lösningsflöde	Dålig kulventil	Kontakta en Viper-distributör
	Dålig lösningsbrytare	Kontakta en Viper-distributör
	Kulventilens läge behöver justeras	När kulventilen är i horisontellt läge, är lösningsflödet som högst
	Smutsigt filter.	Rengör filtret
Ej tillräcklig sugeffekt	Smutsvattenbehållaren är full.	Töm vattenbehållaren
	Vakuümöröret och gummiskrapan är inte ordentligt anslutna	Anslut vakuümöröret till gummiskrapan.
	Flytande filter blockerat eller inlopp blockerat	Rengör flytande filter, kolla flottörbollen
	Gummiskrapan är smutsig eller gummiskrapans blad är utslitna och skadade	Rengör och kontrollera gummiskrapan
	Locket på återvinningsbehållaren är inte korrekt påslagen eller så är tätningen skadad	Sätt tillbaka locket ordentligt eller byt ut tätningen
Gummiskrapan lämnar märken	Skräp under gummiskrapans blad	Ta bort skräpet
	Gummiskrapans blad är redan utslitna, trasiga och spröda.	Byt ur gummiskrapans blad
	Balansen i gummiskrapan är inte justerad	Justera balansen

BORTSKAFFANDE AV MASKIN

Använd en kvalificerad krossmaskin för att förstöra denna maskin.

Innan du förstör denna maskin, ta bort och segregera följande material som, enligt gällande lagar och regler, måste bearbetas på ett korrekt sätt.

- Batteri
- Borst-/dynhållare
- Plastslangar och plastkomponenter
- Elektriska och elektroniska komponenter (*)

(*): Kontakta din närmaste VIPER-verkstad (särskilt när skrotning av elektriska och elektroniska komponenter krävs).

INNHold

INNLEDNING.....	259
HÅNDBOKENS INNHold	259
FORMÅL MED HÅNDBOKEN.....	259
RESERVEDELER OG VEDLIKEHOLD	259
ENDRINGER OG FORBEDRINGER	259
BRUKSOMRÅDE	259
IDENTIFIKASJONSDATA.....	259
UTPAKKING/TRANSPORT	259
GENERELLE SIKKERHETSANVISNINGER.....	260
TEKNISKE DATA.....	261
MASKINBESKRIVELSE	261
MASKINSTRUKTUR	261
BETJENINGSPANEL	262
BRUKERVEILEDNING	263
GØR START AV MASKINEN.....	263
MONTERE OG FJERNE BØRSTE/PAD-HOLDER	263
JUSTERING AV NALBALANSEN	263
REGULERING AV VANNMENGDEN	264
START OG STOPP AV MASKINEN	264
MASKINDRIFT (SKURING OG TØRKING).....	265
TØMMING AV TANKEN	265
ETTER BRUK AV MASKINEN	266
FØRSTEGANGS BRUK.....	266
VEDLIKEHOLD	266
VEDLIKEHOLDSPLAN	267
RENGJØRING AV NAL	267
SJEKK OG SKIFT AV NAL	267
RENGJØRING AV BØRSTE/PAD-HOLDER.....	268
RENGJØRING AV VANNTANK OG FLOTTØRFILTER.....	268
RENGJØRING AV VANNFILTER	269
KOBLINGSSKJEMA FOR AS430C OG AS510C.....	270
FEILSØKING	271
AVHENDING AV MASKINEN.....	271

INNLEDNING



MERK

Tallene i parentes viser til de tilknyttede komponentene som er vist under "Maskinbeskrivelse".

HÅNDBOKENS INNHOLD

Denne håndboken inneholder nødvendig informasjon for bruk og sikkerhet som er viktig for den som bruker maskinen. Informasjonen omfatter tekniske data, sikkerhet, drift, lagring, vedlikehold og avhending av maskinen. Operatøren og kvalifisert servicepersonell må studere denne håndboken nøye før maskinen tas i bruk eller utføres vedlikehold på. Ta kontakt VIPER for spørsmål om innholdet i denne håndboken, eller dersom det ønskes ytterligere relatert informasjon.

FORMÅL MED HÅNDBOKEN

Formålet med denne håndboken er å hjelpe operatøren og kvalifisert servicepersonell til å bruke og utføre vedlikehold maskinen.

Operatøren må ikke utføre prosedyrer som i utgangspunktet skal gjøres av servicepersonell. VIPER påtar seg intet ansvar for eventuelle skader forårsaket av brudd på dette punktet.

RESERVEDELER OG VEDLIKEHOLD

All bruk, vedlikehold og reparasjoner må utføres av kvalifisert servicepersonell, eller ved et av VIPER sine servicesentre.

Det skal KUN brukes godkjente reservedeler og tilbehør.

Hvis det ønskes service, eller bestilling av reservedeler eller tilbehør, vennligst ta kontakt med VIPER og oppgi modellnummer og serienummer på maskinen.

ENDRINGER OG FORBEDRINGER

VIPER sine produkter gjennomgår kontinuerlige forbedringer. VIPER forbeholder seg retten til å gjøre endringer på og forbedre maskinene, samt retten til etter eget skjønn å avgjøre om fordelene som følge av endringene er relevant for de produktene som allerede er solgt. Alle endringer eller ekstra tilbehør må avtales med og utføres av VIPER.

BRUKSOMRÅDE

Gulvvaskeren er ment for bruk i hjemmet og i industrielle miljøer, og er egnet for rengjøring av glatte og harde gulv (skuring og vannoppsamling). Den må brukes av kvalifiserte operatører og i trygge omgivelser. Gulvvaskeren skal ikke brukes til rengjøring utendørs, på tepper, eller på relativt grovstrukturerte gulv.

IDENTIFIKASJONSDATA

Maskinmodell og serienummer er merket på typeskiltet (4).

Denne informasjonen er nyttig når det skal bestilles reservedeler til maskinen. Noter ned identifikasjonsdataene i følgende tabell.

MASKINMODELL.....
..
MASKIN SERIENUMMER.....

UTPAKKING/TRANSPORT

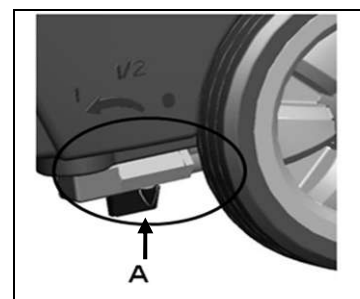
Følg instruksjonene på emballasjen ved utpakking.

Ved levering må emballasjen og maskinen sjekkes for å sikre at maskinen ikke er påført transportskader. Hvis oppdages noen synlige skader, må du beholde det originale fraktbrevet og be transportøren om å bekrefte skadene og fylle ut en liste over skader for kompensasjon.



– FORSIKTIG

Ved utpakking og lossing, eller ved flytting av maskinen ved å skyve den, må det sørges for å unngå å trykke på av/på-bryteren som styrer vannstrømmen, del A i figuren til høyre.



Sjekk at følgende elementer følger med maskinen:

1. Teknisk dokumentasjon
15. Brukerhåndbok

GENERELLE SIKKERHETSANVISNINGER

Nedenfor følger advarsler og merknader om potensiell risiko for skade (personell og maskin):



ADVARSEL!

33. Maskinen må kun brukes i henhold til informasjonen i denne håndboken. Det skal kun brukes tilbehør som er godkjent av VIPER.
34. Denne maskinen skal kun brukes av behørig kvalifisert eller autorisert personell. Maskinen skal ikke brukes av barn eller andre som ikke er kvalifisert til å bruke den.
35. Ved arbeid i nærheten av elektriske deler må du ikke være iført smykker. Ta alle nødvendige forholdsregler for å unngå at hår, smykker og løstsittende klær kan bli dratt inn i bevegelige deler på maskinen.
36. Ikke bruk maskinen på svært skitne steder. Ikke vask maskinen med direkte vannstråle. Ikke la maskinen komme i kontakt med etsende væsker.
37. Omgivelsestemperaturen ved lagring og drift må være mellom 0 og 40°C.
38. Luftfuktigheten må være mellom 30% og 105%.
39. Ikke bruk maskinen i hellinger som overskrider 2%.
40. Dersom det oppstår brann, bruk pulverapparat for å slukke den. Ikke bruk væskebaserte brannslukningsapparater.
41. Ta ekstra forholdsregler hvis maskinen skal transporteres ved temperaturer under 0°C. Vanntanken og vannet i slangene kan fryse til, og forårsake alvorlige skader på maskinen.
42. Bruk børster og pads som følger med maskinen eller som er definert i håndboken. Bruk av andre børster eller pads kan redusere sikkerheten.
43. Ved maskinfeil må det sjekkes at feilen ikke har oppstått på grunn av manglende vedlikehold. Hvis feilen er forårsaket av andre faktorer, kan du be om hjelp fra autorisert personell eller et servicesenter.
44. Hvis det blir fastslått at det må byttes ut deler, må du bestille originale reservedeler fra autoriserte forhandlere eller representanter.
45. For å sikre en trygg og korrekt bruk av maskinen, må enten autorisert personell eller et servicesenter utføre planlagt vedlikehold i henhold til vedlikeholdsplanen som beskrevet i denne håndboken.
46. Denne maskinen må avhendes forsvarlig da det kan finnes giftige og farlige materialer i den. Sådan materialer må leveres til spesialmottak i samsvar med gjeldende lover og forskrifter (se delen som omhandler avhending).

TEKNISKE DATA

Modell	AS430C	AS510C
Maskinhøyde	980 mm	
Kapasitet på vanntank	50 liter	
Kapasitet på oppsamlingstank	50 liter	
Diameter på transporthjul	200 mm	
Diameter på styrehjul	63.5 mm	
Sugemotoreffekt	400 W	
Maks stigningsvinkel ved bruk	2%(maks)	
Lydtrykknivå ved arbeidsposisjon	70dB(A) ±3dB(A)	
Kabellengde	20 m	
Sugeeffekt	1200 mm H ₂ O	
Rengjøringsbredde	430 mm	510 mm
Nalbredde	730 mm	790 mm
Maks maskinlengde	1060 mm	1100 mm
Maskinbredde uten nal	480 mm	540 mm
Børstediameter	430 mm	510 mm
Vekt med tomme tanker	70 kg	74 kg
Bruttovekt på bruksklar maskin	120 kg	124 kg
Børstemotoreffekt	750 W	
Børstehastighet	150 o/min	
Maks press på børste/pad-holder	30kg (maks)	35kg (maks)
Emballasjedimensjoner (L x B x H)	1200 x 610 x 1170 mm	

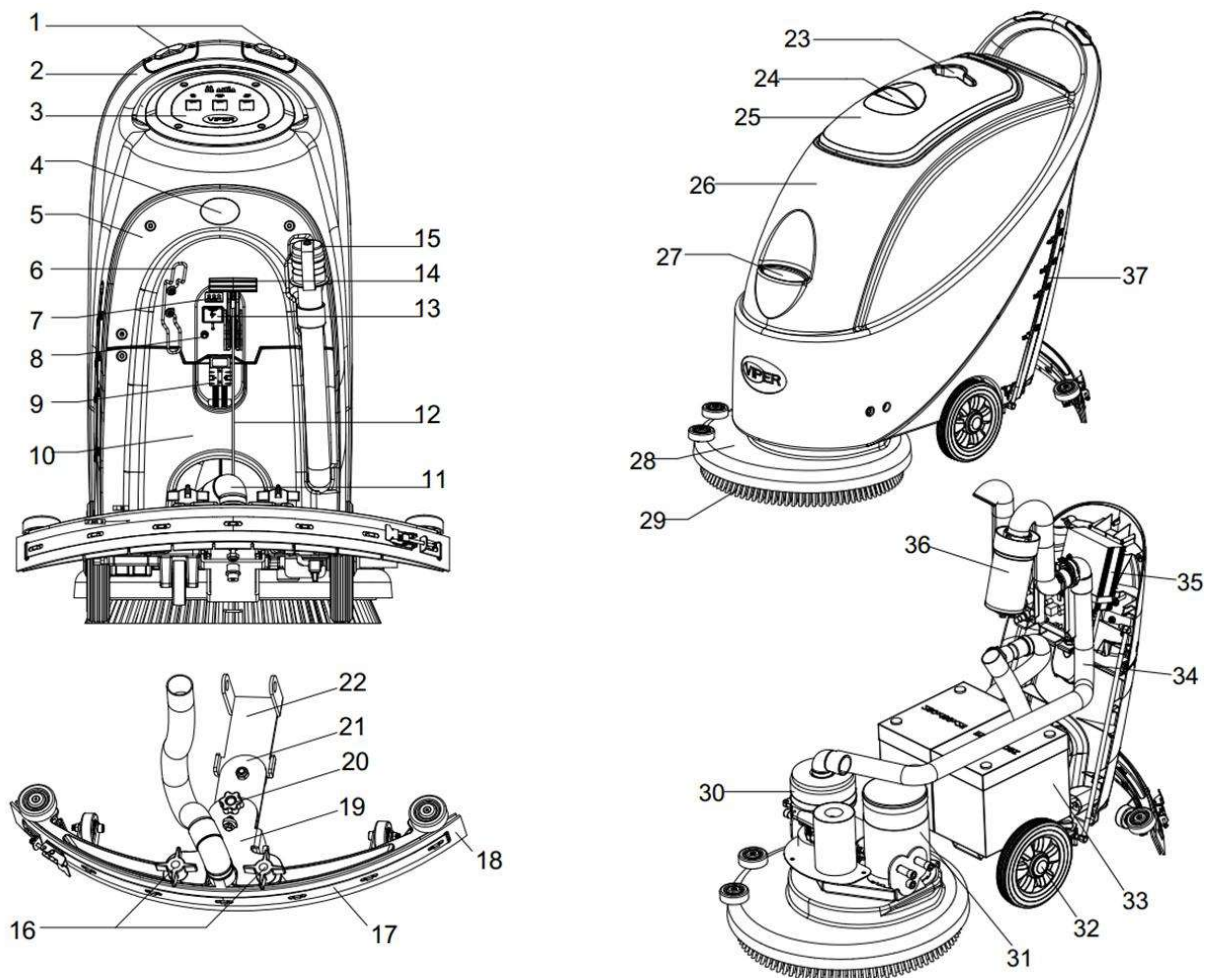
MASKINBESKRIVELSE

MASKINSTRUKTUR

- | | |
|--|---|
| 1. Sikkerhetsbryter | 20. Naljusteringsskrue |
| 2. Skyvehåndtak | 21. Bakre nalramme |
| 3. Betjeningspanel | 22. Fremre nalramme |
| 4. Typeskilt med serienummer/tekniske data/samsvarssertifisering | 23. Koppholder |
| 5. Bakdeksel | 24. Håndtak på deksel for oppsamlingstank |
| 6. Ikke relevant | 25. Deksel for oppsamlingstank |
| 7. Ikke relevant | 26. Tankkabinett |
| 8. Nullstillingsbryter | 27. Vannpåfyllingslokk |
| 9. <u>Strømkabel</u> | 28. Børstedekk |
| 10. Batterideksel | 29. Børste/pad-holder |
| 11. Sugeslange | 30. Motor for vakuumsystem |
| 12. Nalvaier | 31. Børstemotor |
| 13. Ikke relevant | 32. 8" hjul |
| 14. Nalhendel | 33. Ikke relevant |
| 15. Avløpsslange | 34. Sugerør |
| 16. Nalfesteskrue | 35. <u>Elektrisk boks</u> |
| 17. Nalklemme | 36. Flottørfilter |
| 18. Nal | 37. Vannivårør (indikerer vannmengden i vanntanken) |
| 19. Nalramme | |

(*) Gjelder kun for maskiner som er utstyrt med innebygd lader (ekstrautstyr)

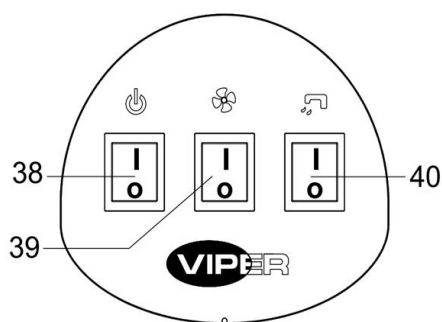
TEGNING AV MASKINSTRUKTUR



Figur 1

BETJENINGSPANEL (figur 2)

- 38. Strømbryter
- 39. Sugebryter
- 40. Bryter for magnetventil



Figur 2

BRUKERVEILEDNING

ADVARSEL

Maskinen har påklistret ulike merker:



- FARE
- ADVARSEL
- FORSIKTIG
- INFORMASJON

Når denne håndboken gjennomgås, må det vies særlig oppmerksomhet til symbolene på disse merkene. Disse merkene skal under ingen omstendigheter dekkes over. Hvis de blir skadet, må de skiftes umiddelbart.

GØR START AV MASKINEN

MONTERE OG FJERNE BØRSTE/PAD-HOLDER



MERK

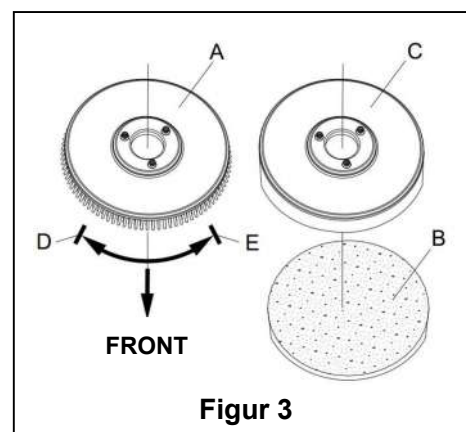
Ifølge typen gulv som skal rengjøres, kan maskinen brukes med børste (A, figur 3), eller en pad-holder (B og C, figur 3).



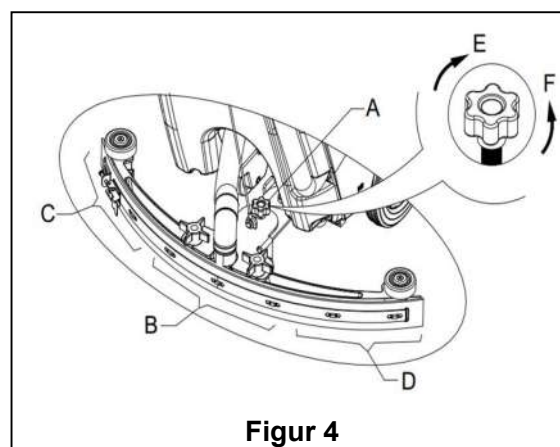
FORSIKTIG!

Ved montering eller fjerning av børste/pad-holder, sjekk først at alle brytere er i AV-posisjon og løft nalen opp fra gulvet. Når dette er gjort kan det gjøres arbeid på børste/pad-holder. Bruk vernehansker for å beskytte deg mot å bli kuttet av skarpe fragmenter.

1. (Kun for **AS430C** og **AS510C**): Sjekk at strømkabelen (9) er koblet fra strømforsyningen og at strømbryteren (38) er slått av (O).
2. Bruk skyvehåndtaket (2) til å løfte tankkabinettet (26).
3. Sett børsten (A) eller pad-holderen (B-C) under maskinen.
4. Bruk skyvehåndtaket (2) til å senke tankkabinettet (26) slik at det kommer i kontakt med en børsten eller pad-holderen.
5. For å feste børste/pad-holder automatisk, sett strømbryteren (38) til "I"-posisjon og trykk ned sikkerhetsbryteren (1). Skyv forsiktig maskinen fremover slik at beltehjulet i bunnen av tankkabinettet kan innrettes med børsten eller pad-holderen, og som deretter kan festes. Slipp deretter sikkerhetsbryteren. Gjenta denne fremgangsmåten etter behov til børsten/pad-holderen er festet.
6. Hvis trinn 5 ovenfor viser seg å være vanskelig, kan børste/pad-holder festes manuelt i henhold til pilen (D) som vist i **figur 3**.
7. For automatisk fjerning av børste/pad-holder, sett strømbryteren (38) til "O"-posisjon. Hold i skyvehåndtaket og press maskinen nedover til styrehjulet kommer i kontakt med gulvet, og børste/pad-holder henger i luften. Sett strømbryteren (38) til "I"-posisjon, og trykk ned sikkerhetsbryteren for å la børsten / pad-holderen rotere til børsten/pad-holderen frigjøres.
8. Hvis trinn 7 viser seg å være vanskelig, kan det gjøres manuelt ved å dreie børsten/pad-holderen i motsatt retning av normal rotasjonsretning, og deretter tas av (som vist i **figur 3**).



Figur 3



Figur 4

JUSTERING AV NALBALANSEN

9. Monter nalen og skru den fast med festeskruen (16). Koble deretter sugeslangen (11) til nalen.
10. Juster nalen med naljusteringsskruen (A) på nalen (se **figur 4**).

- 1) Hvis det er et gap mellom midtpartiet av nalbladet, seksjon B, og gulvet, eller presset på gulvet er forholdsvis lett, kan justeringsskruen skrues mot klokken til hele lengden av nalbladet har god kontakt med gulvet. Det fremre nalbladet skal så vidt berøre gulvet.
- 2) Hvis det er et gap mellom de to endene av det bakre av nalbladet, seksjon C og D, og gulvet, eller presset på gulvet er forholdsvis lett, kan justeringsskruen skrues med klokken til hele lengden av nalbladet har god kontakt med gulvet. Det fremre nalbladet skal så vidt berøre gulvet.

Fylling av vanntank



FORSIKTIG!

Det må kun brukes lavtskummende og ikke-brennbare rengjøringsmidler. Rengjøringsmidlene som brukes må være egnet for bruk i gulvvaskere.

11. Åpne vannpåfyllingslokket (27) og fyll vann på tanken. Ikke overfyll tanken. Fyll opp til vann til like under kanten av filterholderen. Ved blanding av rengjøringsmidler og vann, må blandingsforholdene som angitt av produsenten følges, og vanntemperaturen må ikke være høyere enn 40⁰ C.

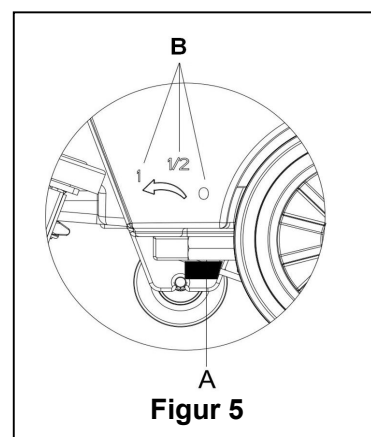
REGULERING AV VANNMENGDEN



ADVARSEL!

Regulering av kuleventilhendelen (A, figur 5) må gjøres når strømbryteren (38) står i posisjon "O".

12. Vannmengden kan reguleres med kuleventilhendelen (A, figur 5) i henhold til ønsket vannmengde for gulvet som skal rengjøres.



Figur 5

START OG STOPP AV MASKINEN

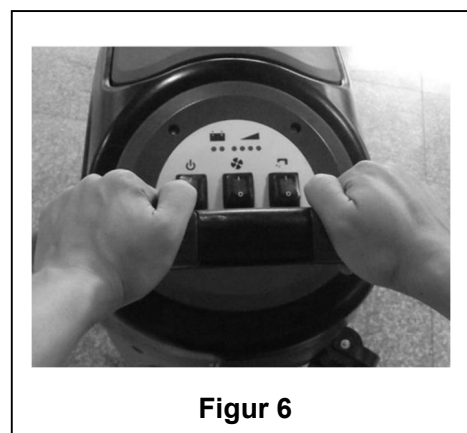
Starte maskinen

1. Fullfør de forberedende trinnene som beskrevet ovenfor.
2. Koble strømkabelen (9) til en strømforsyning med korrekte spenningsverdier, og sett strømbryteren (38) til "I"-posisjon.
3. Bruk nalhendelen (14) til å senke nalen.
4. Sett sugebryteren (39) til posisjon "I".
5. Sett vannkontrollbryteren (40) til posisjon "I". (Bruk sikkerhetsbryteren (1) samtidig for å styre magnetventilen.)
6. Hold inne sikkerhetsbryteren (1) og skyv maskinen for å bevege den. Børsten (29) begynner å rotere, og maskinen starter rengjøringen.



INFORMASJON: Måten maskinen skal skyves på. Maskinen er utstyrt med to sikkerhetsbrytere på begge sider av skyvehåndtaket. Hver av sikkerhetsbryterne brukes uavhengig av børstedriften. Dette gjør det enklere å styre maskinen under rengjøringen.

Erfaringsmessig er det best å styre maskinen som vist i figur 6, der operatøren vil føle seg mest mulig komfortabel, og reduserer tretthet i hendene. Operatøren er således anbefalt å bruke maskinen på denne måten.



Figur 6

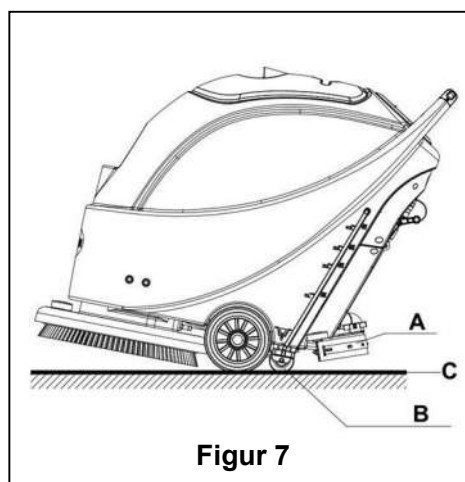
Slå av maskinen

7. Når du er ferdig med å bruke maskinen, må du først ta av børsten/pad-holderen (se trinnene som beskriver montering og fjerning av børste/pad-holder).
8. Slipp sikkerhetsbryteren (1) for å stoppe børste/pad-holderen og magnetventilen.
9. Sett sugebryteren (39) til posisjon "O" og sugepumpen vil fortsette å gå i 5 sekunder før den stopper.
10. Sett vannkontrollbryteren (40) til posisjon "O" for å slå magnetventilen av.
11. Sett strømbryteren (38) til posisjon "O". Koble strømkabelen (9) fra strømforsyningen.

12. Bruk nalhendelen (14) til å heve nalen.
13. Ta tak i skyvehåndtaket (2) og vipp maskinen forsiktig bakover til styrehjulet (B) berører gulvet. Se figur 7.

MASKINDRIFT (SKURING OG TØRKING)

1. Start maskinen som beskrevet ovenfor.
2. Hold inne sikkerhetsbryteren (1) (som vist i figur 6), skyv maskinen fremover og start rengjøringen.
3. Om nødvendig, slå av maskinen og juster nalen med naljusteringsskruen. (Se relaterte trinn for å justere nalbalansen)
4. Om nødvendig, slå av maskinen og juster vannmengden med kuleventilhendelen. (Se relaterte trinn for å justere vannmengden)



Figur 7



FORSIKTIG!

For å unngå skade på gulvet, må strømbryteren (38) slås av når maskinen står i ro på gulvet.

TØMMING AV TANKEN

Når oppsamlingstanken er full, vil en flottør i flottørfilteret (36) blokkere innløpet til sugepumpen. Når sugepumpen avgir høyere støy enn vanlig, kan det antas at sugepumpen allerede er overbelastet, og tanken må tømmes før videre bruk.



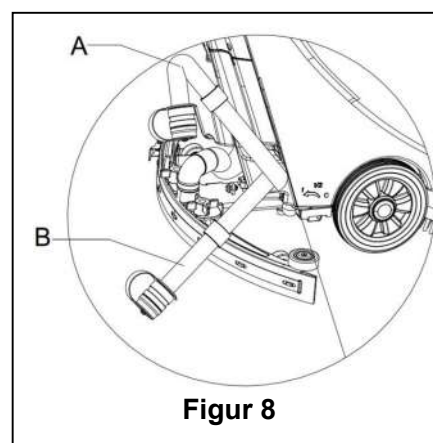
FORSIKTIG!

Hvis sugemotoren plutselig stopper (for eksempel fordi maskinen flyttes støtvis og flottøren aktiveres), og hvis driften skal gjenopptas, gjør følgende: Slå av strømbryteren (38 og 39) for å slå av strømmen og sugemotoren, og åpne dekslet på oppsamlingstanken (25) for å sjekke om flottøren i flottørfilteret har returnert til vannoverflaten. Lukk deretter dekslet på oppsamlingstanken (25), og trykk på strømbryteren (38 og 39) for å slå på strømmen og sugemotoren.

Når oppsamlingstanken er helt full, må du gjøre følgende for å tømme den.

Tømming av oppsamlingstank

1. Slå av maskinen.
2. Bruk nalhendelen (14) til å heve nalen.
3. Flytt maskinen til stedet der den skal tømmes.
4. Ta tak i skyvehåndtaket (2) og vipp maskinen forsiktig bakover til styrehjulet berører gulvet. (Dersom arbeidet er ferdig, henvises til delen som omhandler prosedyrer for stopp av maskinen.)
5. Ta av avløpsslangen fra festeklemmen knekk den øvre delen av slangen (som vist i A, figur 8), og åpne deretter lokket på avløpsslangen og legg slangen ned for å la vannet renne ut. Alternativt kan slangen legges rett på gulvet slik at åpningen på slangen peker nedover (som vist i B, figur 8), og deretter skru av lokket for å tømme ut avløpsvannet. Etter at tømmingen er ferdig, kan du bruke rent vann til å skylle oppsamlingstanken innvendig.



Figur 8

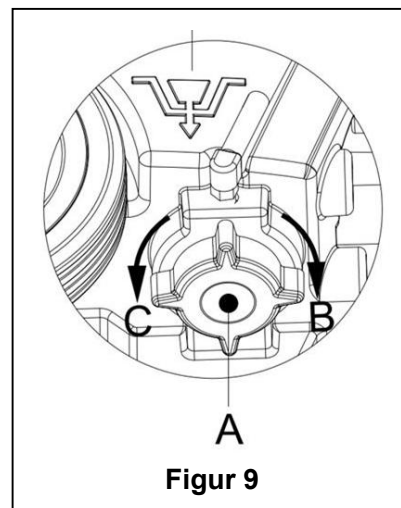


FORSIKTIG!

Ved tømming av oppsamlingstanken, må slangen enten lages en knekk på eller legges ned på gulvet (som vist i figur 8 A eller B), og deretter åpne lokket til på slangen for å tømme tanken. Ikke gjør la utløpet på slangen vende oppover slik at vannet renner ut vertikalt. Dette er for å unngå at operatøren blir tilsølt.

Tømming av vanntank

6. Utfør trinn 1 til 4.
7. Som vist i **figur 9**, åpne lokket på vanntanken (A) mot klokken i retning C, og tøm vanntanken. Bruk rent vann til å skylle vanntanken innvendig. Når vanntanken er tom, skru på lokket (A) med klokken i retning B.

**Figur 9****ETTER BRUK AV MASKINEN**

Når arbeidet er ferdig, og før du forlater den, må følgende gjøres:

1. Følg fremgangsmåten som beskrevet i delen som omhandler montering og fjerning av børste/pad-holder, og ta av børste/pad-holder.
2. Følg prosedyrene som er beskrevet i relaterte avsnitt, og tøm vanntanken og oppsamlingstanken.
3. Utfør prosedyrer for daglig vedlikehold (se delen som omhandler vedlikehold).
4. Maskinen, børste/pad-holder og nal, må lagres på et rent og tørt sted. Nalen bør være hevet eller tas av.

FØRSTEGANGS BRUK

Etter de første 9 driftstimene, må du sjekke alle deler for å sikre at ingenting har løsnet eller blitt skadet under driften, og sjekk om det finnes synlige skader eller lekkasjer.

VEDLIKEHOLD

For maks levetid og optimal driftssikkerhet på maskinen, må det utføres korrekt vedlikehold i henhold til vedlikeholdsplanen.

Tabellen nedenfor inneholder en generell vedlikeholdsplan for maskinen. Tidsintervallene for vedlikehold kan i stor grad fastsettes i henhold til arbeidsforholdene. Disse tidsintervallene bør fastsettes av personellet som er ansvarlig for vedlikeholdet.

**ADVARSEL!**

Disse prosedyrene skal kun utføres først etter at strømmen til maskinen er slått av og tilkoblingen mellom maskinen og batteriet er frakoblet. Gjennomgå delen som omhandler sikkerhet for du utfører noen vedlikeholdsprosedyrer.

Alt vedlikehold i planen eller alt ekstra vedlikehold må utføres av kvalifisert personell eller et autorisert servicesenter.

Denne håndboken beskriver kun de generelle og mest vanlige vedlikeholdsprosedyrene.

For annet vedlikehold enn det som er nevnt i denne tabellen for planlagt vedlikehold, henvises det til vedlikeholdshåndboken fra servicesenteret.

VEDLIKEHOLDSPLAN

Prosedyre	Daglig, maskin etter bruk	Ukentlig	Hver 6 måneder	Årlig
Lading av batteriet				
Rengjøring av børste/pad-holder				
Rengjøring av vanntank og flottørfilter, sjekk av tetningslister på vanntanken				
Sjekk og skift av nalblad				
Rengjøring av vannfilteret				
Rengjøring av sugemotorenfilteret				
Sjekk av stramheten på skruer og muttere			(1)	
Sjekk eller skift av kullbørster på motor for børste/pad-holder				(2)
Sjekk eller skift av kullbørster på sugemotoren				(2)

(1) Bør gjøres etter de første 9 driftstimene.

(2) Disse vedlikeholdsprosedyrene skal utføres av et autorisert VIPER servicesenter.

RENGJØRING AV NAL

**MERK**

For å opprettholde optimal effekt på vannoppsuget, må nalen holdes ren og nalbladet må være i god stand.

**FORSIKTIG!**

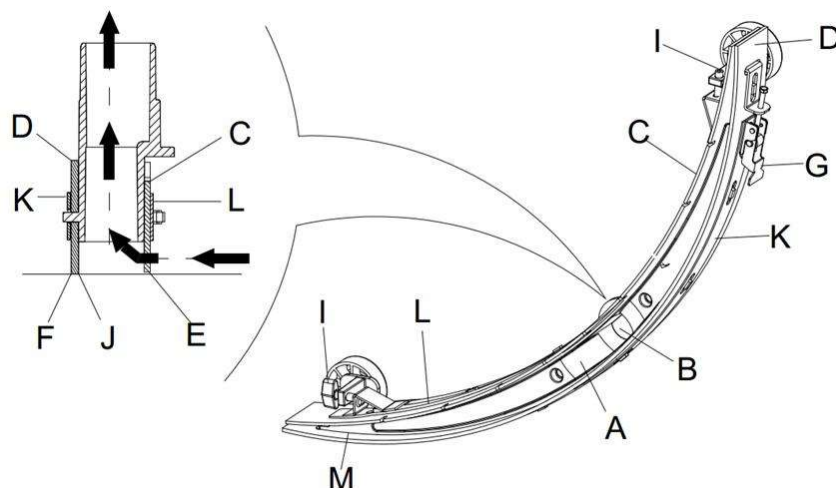
Ved rengjøring av nalen anbefales det å bruke vernehansker, da det kan være skarpe fragmenter i den.

1. Plasser maskinen på et plant og jevnt gulv.
2. Sett strømbryteren (38) til posisjon "O" for å slå den av.
3. Skru ut festeskruen (16) for nalen, ta av sugeslangen fra nalen, og ta deretter av nalen.
4. Bruk nalhendelen (14) til å heve nalrammen.
5. Rengjør nalen (**figur 10**). Rengjør spesielt sporet (**A, figur 10**) og smuss og fragmentene på sugeslangen. Sjekk om det fremre nalbladet (C) og det bakre nalbladet (D) er intakt, og om det finnes revner eller sprekker. Skift ut etter behov (se framgangsmåten nedenfor).
6. Sett på plass nalen i motsatt rekkefølge av trinnene som beskrevet.

SJEKK OG SKIFT AV NAL

1. Rengjør nalen i henhold til framgangsmåten som beskrevet ovenfor (**figur 10**).
2. Sjekk kanten (**E, figur 10**) på den fremre nalen og kanten (F) på den bakre nalen (D). De skal være på samme nivå langs hele lengden. Juster eventuelt høyden i henhold til følgende framgangsmåte.
 - Løsne klemmen (G) for å løsne den bakre nalen (D) fra braketten (M) for å kunne justere nalens posisjon. Lukk klemmen etter at nalen er justert.
 - Løsne skruen (I) for å justere den fremre nalen (C). Stram til skruen igjen etter justering.
3. Sjekk om det fremre nalbladet (C) og det bakre nalbladet (D) er intakt, og om det finnes revner eller sprekker. Skift ut etter behov i henhold til framgangsmåten som beskrevet. Sjekk forkanten på den bakre nalen (J) for slitasje. Hvis den er slitt, kan den sus rundt (den øverste kanten må i så fall være intakt). Hvis den øverste kanten også er slitt, må nalen skiftes i henhold til framgangsmåten nedenfor:
 - Løsne klemmen (G) for å løsne bladet fra braketten (M), ta av klemmeskinnen (K), og skift eller snu den bakre nalen (D) opp/ned. Sett på plass den bakre nalen i motsatt rekkefølge av trinnene ovenfor.
 - Løsne skruen (I) og ta av den fremre klemmeskinnen (L), og skift så den fremre nalen (C). Sett på plass den fremre nalen i motsatt rekkefølge av trinnene ovenfor. Etter at nalen er skiftet eller snudd motsatt vei, juster høyden på fremre og bakre nal i henhold til trinnene ovenfor.
4. Koble sugeslangen (11) til nalen.
5. Sett på plass hele nalsammenstillingen og bruk skruen (16) for å feste den, og koble deretter til sugeslangen.

6. Juster eventuelt nalen med justerings-skruen (20) (se fremgangsmåte for å justere nalbalansen).



Figur 10

RENGJØRING AV BØRSTE/PAD-HOLDER



FORSIKTIG!

Ved rengjøring av børste/pad-holder, anbefales det å bruke vernehansker, da det kan være skarpe fragmenter til stede.

1. Ta av børste/pad-holder som beskrevet tidligere.
2. Rengjør børste/pad-holder med vann og rengjøringsmiddel.
3. Sjekk om børsten er hel og om børstehårene er slitt, skift ut etter behov.
4. Sjekk om pad-holderen er hel, skift ut etter behov.

RENGJØRING AV VANNTANK OG FLOTTØRFILTER

1. Flytt maskinen til stedet der den skal tømmes.
2. Sett strømbryteren (38) til posisjon "O" for å slå den av.
3. Åpne dekselet på oppsamlingstanken (A, figur 11), og ta ut flottørfilteret (36) fra oppsamlingstanken.
4. Bruk rent vann til å rengjøre dekselet på oppsamlingstanken (A), tanken (B og C), og flottørfilterholderen (E). Bruk slangen (15) til å tømme vanntanken.
5. Se eventuelt symbolene "OPEN" og "CLOSE" som vist i figur 11 for å åpne bunndekselet (F) på flottørfilteret, og rengjør deretter flottørkulen (D), filterholderen (E) og filtersvampen (I). Etter rengjøring settes flottørfilteret inn i filterholderen (E), og innrett deretter sporet (L) på bunndekselet (F) for flottørfilteret med sporet (L) på flottørfilterholderen (E). Skru bunndekselet (F) på flottørfilteret godt til, sett filtersvampen (I) på flottørfilterholderen (E), og deretter på sugeslangen (M).
6. Sjekk at tetningsringen (G) på vanntanklokket er hel.

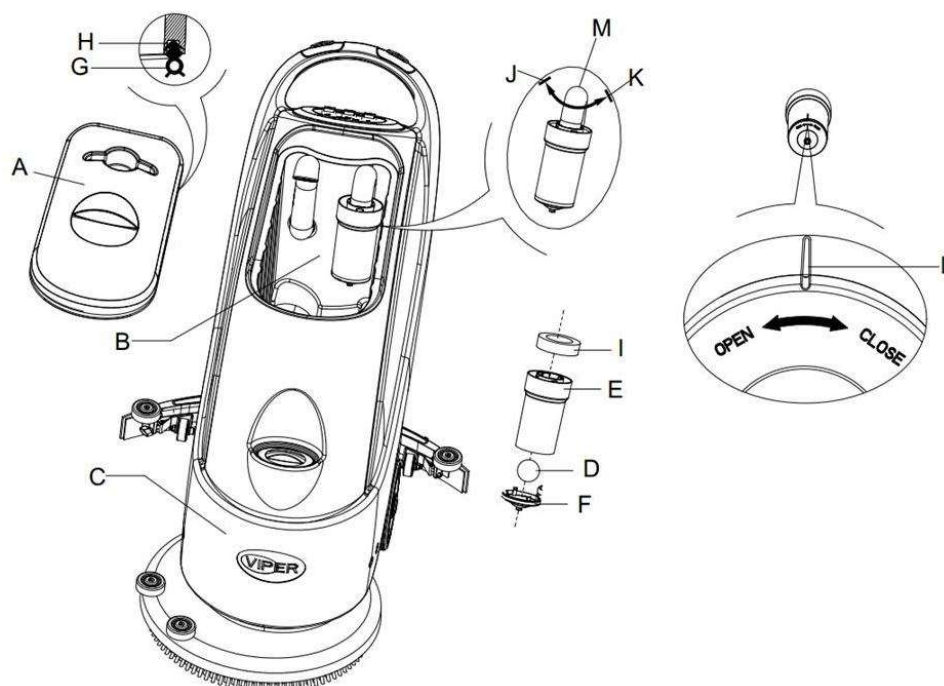


MERK

Tetningsringen (G) på vanntanken gjør at det kan dannes et vakuum i vanntanken. Den må være helt tett for effektivt å kunne suge opp vann fra gulvet.

Om nødvendig, kan tetningsringen på vanntanken (G) tas ut fra sporet (H) for å skiftes. Ved montering av ny tetningsring som vist i figur 11, må den skjøtes ved midten av den bakre delen.

7. Sjekk om kontaktflaten for tetningslisten (G) er hel, og at den tetter skikkelig.
8. Sett på plass dekselet (A) oppsamlingstanken.



Figur 11

RENGJØRING AV VANNFILTER

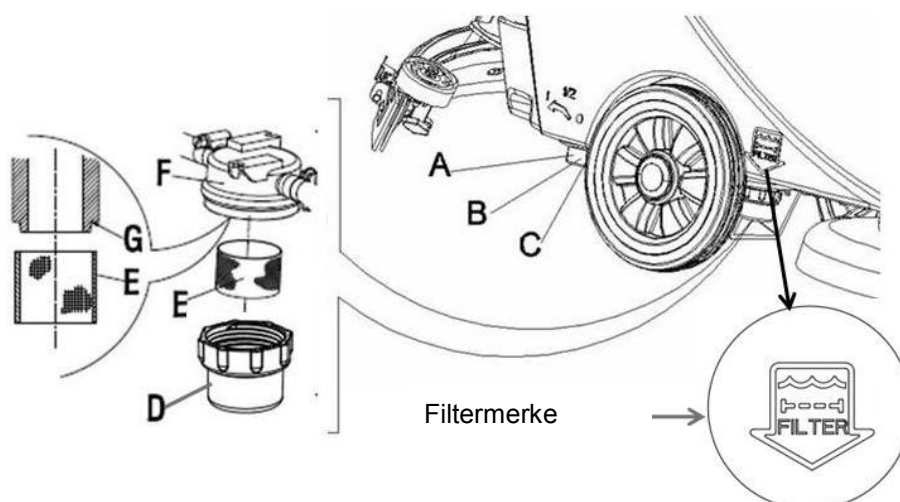
1. Tøm alt vannet fra vanntanken som beskrevet tidligere.
2. Plasser maskinen på et plant og jevnt gulv.
3. Sett strømbryteren (38) til posisjon "O" for å slå den av.
4. Steng kuleventilen (A, figur 12) (plassert i bunnen av maskinen, bak hjulene). Åpne kuleventil B og steng kuleventil C.
5. Ta av det gjennomsiktige lokket (D), og ta deretter ut filteret (E). Sett dem på plass i filterboksen (F) etter rengjøring.



MERK

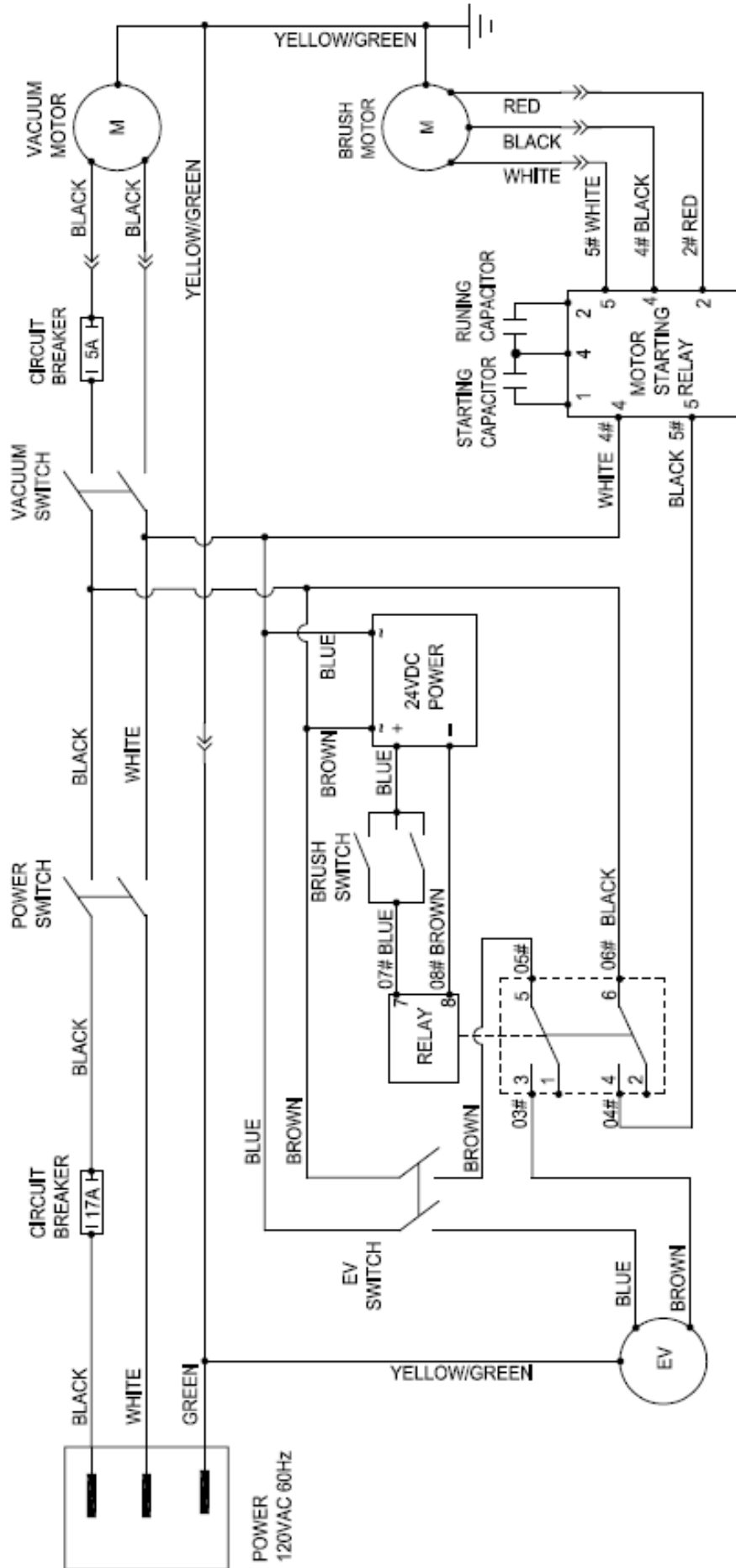
Filteret (E) må monteres i riktig posisjon på festet (G).

6. Åpne kuleventilen for tømning (A).



Figur 12

KOBLINGSSKJEMA FOR AS430C OG AS510C



FEILSØKING

Problem	Mulig årsak	Løsninger
Maskinen virker ikke	Ledningene ikke riktig tilkoblet eller dårlig tilkoblet	Kontroller kablingen eller kontakt en Viper-forhandler
	Dårlig børstemotor	Kontakt en Viper-forhandler
	Kullbørstene er utslitt	Kontakt en Viper-forhandler
Sugemotoren virker ikke	Ledningene ikke riktig tilkoblet eller dårlig tilkoblet	Kontroller kablingen eller kontakt en Viper-forhandler
	Feil på sugemotor	Kontakt en Viper-forhandler
	Kullbørstene er utslitt	Kontakt en Viper-forhandler
Liten eller ingen vannstrøm	Dårlig kuleventil	Kontakt en Viper-forhandler
	Dårlig vannventil	Kontakt en Viper-forhandler
	Stillingen på kuleventilen må justeres	Når kuleventilen er i horisontal posisjon, er vannmengden maksimal
	Filteret er skittent	Rengjør filteret
Utilstrekkelig vakuum	Oppsamlingstanken er full	Tøm tanken
	Sugeslange mellom oppsamlingstank og nal ikke riktig tilkoblet	Koble sugeslangen til nalen og oppsamlingstanken
	Flottørfilteret eller innløpet er tilstoppet	Rengjør flottørfilteret, sjekk flottørkulen
	Nalen er skitten eller nalbladet er slitt eller skadet	Rengjør og sjekk nalen
	Dekselet på oppsamlingstanken er ikke riktig satt på, eller tetningslisten på vanntanken skadet	Sett dekselet skikkelig på plass, eller skift tetningslisten på vanntanken
Nalen etterlater seg merker	Smuss og fragmenter under nalbladet	Fjern smuss og fragmenter
	Nalbladet er utslitt, sprukket, sprøtt	Skift nalbladet
	Nalbalansen er ikke riktig justert	Juster nalbalansen

AVHENDING AV MASKINEN

Maskinen må destrueres på et godkjent avfallsmottak.

Før maskinen destrueres, må følgende deler fjernes og sorteres i henhold til gjeldende lover og forskrifter, og behandles som spesialavfall:

- Batteri
- Børste/pad-holder
- Plastslanger og plastdeler
- Elektriske og elektroniske komponenter (*)

(*): Ta kontakt med nærmeste VIPER-senter (spesielt ved avhending av elektriske og elektroniske komponenter).

SISÄLLYSLUETTELO

JOHDANTO	273
KÄSIKIRJAN SISÄLTÖ.....	273
TARKOITUS	273
VARAOSAT JA YLLÄPITO	273
MUUTOKSET JA PARANNUKSET	273
KÄYTTÖALUE.....	273
TUNNISTUSTIETOA.....	273
UNPACKING/TRANSPORT	273
YLEISTURVALLISUUSOPASTUKSET	274
TEKNISET TIEDOT	275
KONEEN KUVAUS	275
KONEEN RAKENNE.....	275
OHJAUSPANEELI	276
KÄYTTÖOPAS	277
ENNEN KONEEN KÄYNNISTÄMISTÄ.....	277
HARJAN / PEHMUSTEEN PITIMEN ASENTAMINEN JA LASTAAMINEN.....	277
IKKUNALASTAN TASAPAINON SÄÄTÄMINEN.....	277
VEDENVIRTAUKSEN VOLYYMIN SÄÄTELY.....	278
KONEEN KÄYNNISTYS JA PYSÄYTYS	278
KONEEN TOIMINTA (HANKAAMINEN JA KUIVAUS).....	279
SÄILIÖN TYHJENTÄMINEN	279
KONEEN KÄYTÖN JÄLKEEN	280
KÄYTTÖ ENSIMMÄISTÄ KERTAA	280
YLLÄPITO JA HUOLTO	280
YLLÄPITO AIKATAULU	281
IKKUNALASTAN PUHDISTAMINEN.....	281
IKKUNALASTAN TERÄN TARKASTUS JA VAIHTO	281
HARJAN/KIILLOTUSTYYNYN PUHDISTAMINEN	282
VESISÄILIÖN JA KELLUVAN SUODATINSILMIKON PUHDISTAMINEN	282
LIUOSSUODATTIMEN PUHDISTAMINEN.....	283
AS430C JA AS510C VIRTAPIIRIKUVA.....	284
VIANMÄÄRITYS	285
KONEEN HÄVITYS	285

JOHDANTO



HUOM

Sulkeissa olevat numerot viittaavat Koneen kuvaus-jaksossa näytettyihin komponentteihin.

KÄSIKIRJAN SISÄLTÖ

Tämä käsikirja antaa käyttäjälle tarpeelliset tiedot koneen sopivaan ja turvalliseen käyttöön. Tietoihin sisältyy koneen teknisiä tietoja, turvallisuus-, toiminta-, varastointi-, ylläpito- ja hävitystietoja. Pätevien käyttäjien ja teknikoiden on tutustuttava käsikirjaan varovasti ennen koneen käyttöönottoa ja ylläpitoa. Ota yhteys VIPER-yritykseen kaikkien kyselyjen vuoksi tämän käsikirjan selityksistä tai jos tarvitaan lisää liittyvää tietoa.

TARKOITUS

Tämän käsikirjan tarkoituksena on mahdollistaa käyttäjälle ja pätevälle teknikolle tämän koneen ylläpito. Käyttäjä ei saa suorittaa niitä toimenpiteitä, jotka vain teknikko saisi suorittaa. VIPER ei ole vastuussa mistään vahingosta, jonka tämän säännön rikkomus on aiheuttanut.

VARAOSAT JA YLLÄPITO

Kaikki tarpeellisen toiminta-, ylläpito ja korjaustoimenpiteen on pätevä henkilöstön jäsen tai VIPER-yrityksen huoltokeskuksen suoritettava

On käytettävä ainoastaan valtuutettuja varaosia ja varusteita

Jos varaosien ja varusteiden tilaus on tarpeen, ota yhteys VIBER-yritykseen koneen mallinumerolla ja sarjanumerolla.

MUUTOKSET JA PARANNUKSET

VIPER tekee jatkuvasti parannuksia tuotteisiinsa. VIPER varaa oikeuden muuttaa ja parantaa koneensa ja myös päättää itse, ovatko ne muutokset, jota edut ovat tuoneet sovellettavissa jo myydyissä tuotteissa. Kaikki muutokset tai lisävarusteet on VIPER-yrityksen hyväksyttävä ja yrityksen suoritettava.

KÄYTTÖALUE

Tätä kaasunpesulaitetta käytetään koti- ja teollisessa ympäristössä, ja sopii sileiden ja kovien lattioiden puhdistamiseksi (hankaamine ja jäteveden keräys). Sitä on pätevien käyttäjien käytettävä ja turvallisessa ympäristössä. Tätä kaasunpesulaitetta ei voida käyttää ulkona, matoilla ja suhteellisen kovilla lattioilla.

TUNNISTUSTIETOA

Koneen malli ja sarjanumero on merkitty levyyn (4).

Tämä tieto on käytännöllinen koneen varaosia pyydetäessä, Käyrä alla olevaa taulukkoa koneen tunnistustietoja alas kirjoitettaessa.

KONEEN malli.....
KONEEN sarjanumero.....

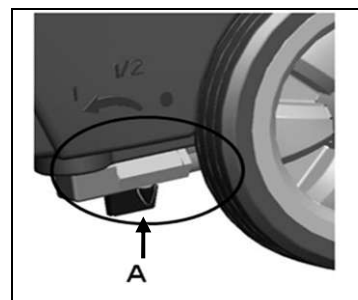
UNPACKING/TRANSPORT

Noudata tarkasti ohjeita pakkauksessa pakkauksen purkamisen yhteydessä. Tarkasta toimituksen yhteydessä pakkaus ja kone sen varmistamiseksi, ettei vahinkoa ole sattunut kuljetuksen aikana. Jos havaitset näkyvän vian, säilytä alkuperäinen muoto ja pyydä kuljettajaa täyttämään vahinkoluettelo kustannusten korvaamiseksi.



– VAARA

Pakkauksen purkamisen ja lastin poistamisen tapauksessa tai kun kone liikkuu maan yli, jossa on rappuskeleita, huolehdi siitä, ettet paina on/off kytkintä, joka säätelee veden virtausta Osa A kuvassa oikealla.



Tarkasta onko kone varustettu seuraavilla varusteilla:

1. Tekniset asiakirja
16. Kaasunpesulaitteen käyttäjän opas

YLEISTURVALLISUUSOPASTUKSET

Seuraavat ovat erityisiä varoituksia ja ilmoituksia mahdollisista vaaroista (henkilöstö ja kone):



VAROITUS!

47. Koneetta voidaan käyttää ainoastaan tämän käsikirjan opastuksen mukaisesti. Voidaan käyttää ainoastaan VIPER-yrityksen hyväksymiä varusteita.
48. Tätä konetta saa käyttää ainoastaan hyvin koulutettu ja valtuutettu henkilöstö. Lapset tai epäsovikat henkilöt eivät saa käyttää tätä konetta.
49. Sähköosien lähellä työskennellessä älä käytä mitään koruja. Suorita kaikki turvallisuustoimenpiteet hiusten, korujen ja löysien vaatteiden tarttumisen ehkäisemiseksi ajoneuvon muihin liikkuviin osiin.
50. Älä käytä tätä konetta nimenomaan likaisilla alueilla. Älä pese konetta suoraan vedellä. Älä anna koneen koskea syövyttäviin nesteisiin.
51. Lämpötila varastoinnille ja koneen työympäristölle on oltava välillä 0 ja 40°C.
52. Ilman kosteuden on oltava välillä 30% ja 105%.
53. Älä käytä konetta kaltevalla tasolla, jonka kaltevuus on yli 2%.
54. Tulipalon tapauksessa käytä kuivan pulverin tulensammutinta. Älä käytä nestemäisiä tulensammuttimia.
55. On huomioitava erityisesti, kun kone siirretään alle 0°C. Vesisäiliö ja vevsi letkuissa voi jäättyä ja aiheuttaa vakavia vahinkoja koneelle.
56. Käytä harjoja ja pehmusteita, jotka toimitetaan koneen mukana ja jotka on määritelty Käyttäjän käsikirjassa. Muiden harjojen tai pehmusteiden käyttö voi vähentää turvallisuutta.
57. Koneen toimintahäiriön tapauksessa varmista, että sitä ei aiheuta ylläpidon puute. Jos sen aiheuttaa muu olosuhde, hae valtuutetun henkilöstön tai huoltokeskuksen apua.
58. Jos havaitaan, että varaosat on vaihdettava, varmista, alkuperäiset osat valtuutetulta jälleenmyyjältä tai agentilta.
59. Voidaksesi varmistaa koneen turvallisen ja sopivan toiminnan, anna valtuutetun henkilöstön tai huoltokeskuksen suorittaa ajoitettu ylläpito, käsikirjan liittyvissä osissa mainitun ylläpitoaikataulun mukaisesti.
60. Tämä kone on hävitettävä sopivalla tavalla, koska voi löytyä myrkyllisiä ja vaarallisia aineita, ja nämä aineet on erikoiskeskusten hävitettävä voimassaolevien lakien ja säätelyjen mukaisesti (katso koneen hävitys-jaksoa).

TEKNISET TIEDOT

Malli	AS430C	AS510C
Koneen korkeus	980mm	
Liuossäiliön kapasiteetti	50 litraa	
Palautussäiliön kapasiteetti	50 litraa	
Kuljetuslaikan halkaisija	200mm	
Opaslaikan halkaisija	63.5mm	
Imujärjestelmä moottorin teho	400w	
Maksimi kaltevuus työskennellessä	2%(Max)	
Kiinteä paineentaso työasemalla	70dB(A) ±3dB(A)	
Kaapelin pituus	20m	
Imujärjestelmävirtapiirin kapasiteetti	1200 mm H2O	
Puhdistus leveys	430mm	510mm
Ikkunalastan leveys	730mm	790mm
Koneen maksimi pituus	1060mm	1100mm
Koneen leveys ilman ikkunalastaa	480mm	540mm
Harjan halkaisija	430mm	510mm
Paino tyhjillä tankeilla	70kg	74kg
Käyttövalmiin koneen bruttopaino	120kg	124kg
Harjamoottorin teho	750W	
Harjan nopeus	150rpm	
Harja /pehmusteen pitimen maksimi paine	30kg (Max)	35kg(Max)
Pakkauksen koko (Px L x K)	1200 x 610 x 1170mm	

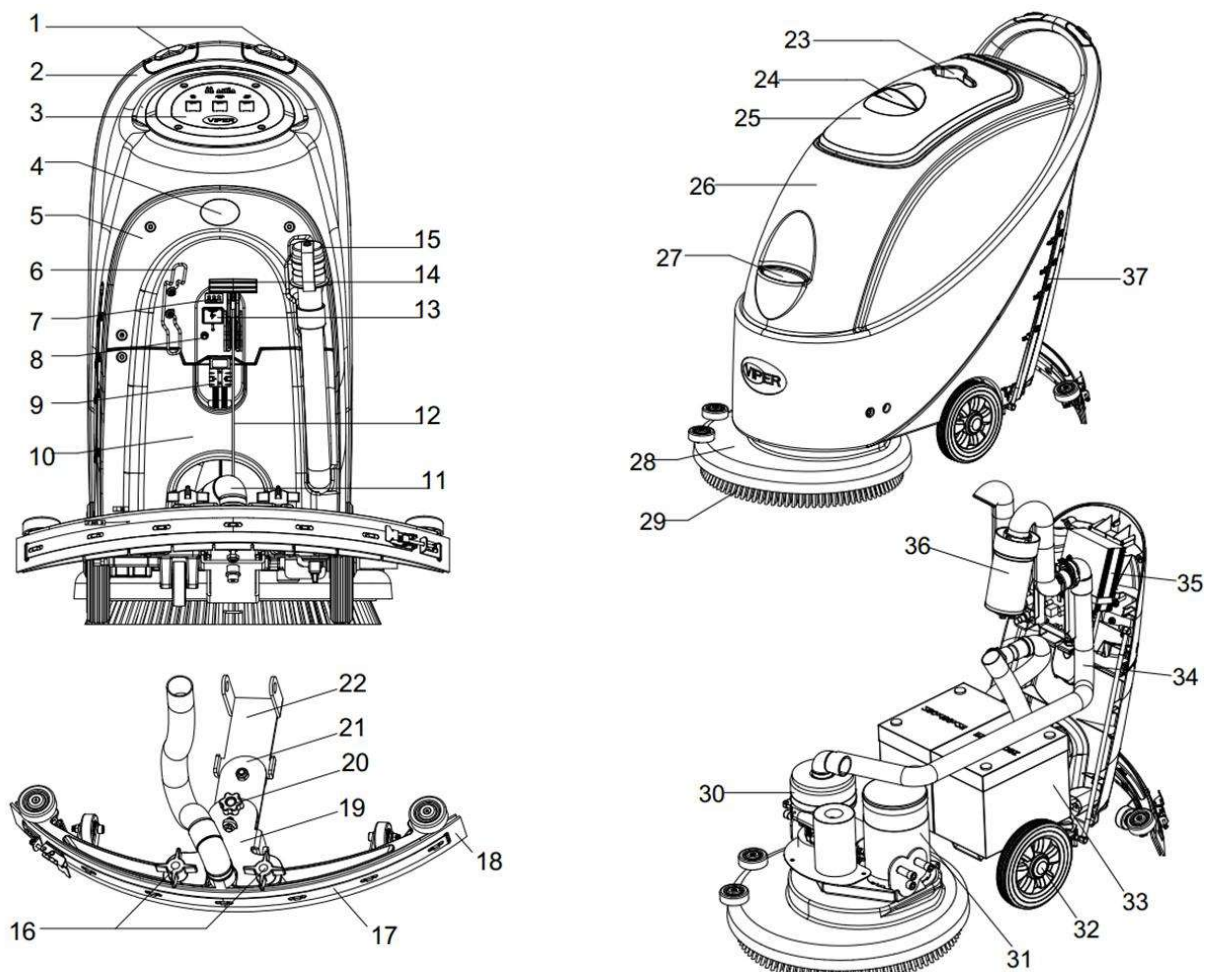
KONEEN KUVAUS

KONEEN RAKENNE

- | | |
|--|--|
| 1. Suojakytkinpainike | 20. Ikkunalastaa säätävä käsilaikka |
| 2. Kahvatanko | 21. Ikkunalastan takatukikehys |
| 3. Ohjauspaneeli | 22. Ikkunalastan etutukikehys |
| 4. Sarjanumeron levy/Tekniset tiedot/Mukautuvuustodistus | 23. Kupin pidin |
| 5. Ohjauskansi | 24. Palautussäiliön kannen kahva |
| 6. E/K | 25. Palautussäiliön kansi |
| 7. E/K | 26. Säiliön runko |
| 8. Uudelleenasetuskytkin | 27. Veden tulon kansi |
| 9. Virtakaapeli | 28. Harjan kansi |
| 10. Akun kansi | 29. Harja / pehmusteen pidin |
| 11. Imuputki jätteelle | 30. Imujärjestelmän moottori |
| 12. Ikkunalastan juoksutusjohto | 31. Harjan moottori |
| 13. E/K | 32. 8" laikka |
| 14. Ikkunalastan nostokahva | 33. E/K |
| 15. Vuodatusletku | 34. Imuputki |
| 16. Ikkunalastan kiinteä nappi | 35. Sähkölokero |
| 17. Ikkunalastan nipistin | 36. Kelluva suodatin |
| 18. Ikkunalastan terä | 37. Vesitason putki (veden määrän ilmaisemiseksi Liuossäiliössä) |
| 19. Ikkunalastan tukikehys | |

(*) soveltuu ainoastaan koneissa, jotka on jo asennettu alustan laturiin (valinnainen)

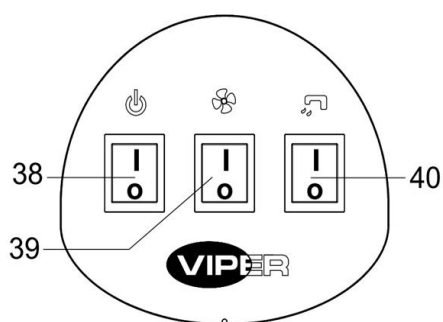
KONEEN RAKENTEEN KUVAT



Kuva 1

OHJAUSPANEELI (Kuva 2)

- 38. Virtakytkin
- 39. Imukytin
- 40. Solenoidiventtiilin kytkin



Kuva 2

KÄYTTÖOPAS

VAROITUS

Koneen tietyissä osissa löytyy joitakin viittaavia merkkejä:



- VAARA
- VAROITUS
- VAROTOIMENPIDE
- KONSULTAATIO

Tätä käsikirjaa lukiessaan käyttäjän on erittäin hyvin tarkkailtava näiden merkkien symboleja. Ei missään tapauksessa saa näitä merkkejä peittää. Jos ne ovat vahingoittuneet, vaihda ne heti.

ENNEN KONEEN KÄYNNISTÄMISTÄ

HARJAN / PEHMUSTEEN PITIMEN ASENTAMINEN JA LASTAAMINEN



HUOM

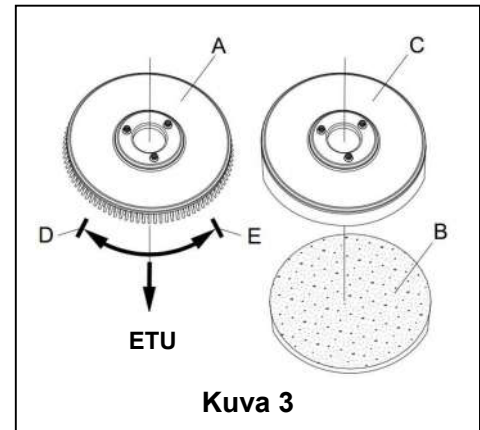
Puhdistettavan lattiatyyppin mukaan kone voidaan asentaa harjalla (Kuva 3, A), tai pehmusteen pitimiellä (Kuva 3, B ja C).



VAARA!

Harja/pehmusteen pitimen manuaalisen asennuksen tai poistamisen tapauksessa tarkasta ensin, että kaikki kytkimet ovat pois-asennossa ja nosta ikkunalasta pois lattialta, jonka jälkeen voidaan työskennellä harjan tai pehmusteen pitimen kanssa. Lisäksi käytä suojäkäsineitä jottet leikkaa itseäsi sirpaleilla.

1. (Soveltuu vain **AS430C** ja **AS510C**): Varmista, että virtakaapeli (9) kytkee virransyötön pois ja virtakytkin (38) on poiskytkentä (O) tilassa.
2. Paina käsitankoa alas (2) säiliön rungon nostamiseksi (26).
3. Laita harja (A) tai pehmusteen pidin (B – C) kotelon alle.
4. Käytä kahvatankoa (2) säiliön rungon alentamiseksi (26) voidaksesi päästä kosketuksiin harjan tai pehmusteen pitimen kanssa.
5. Asenna harjan/pehmusteen pitimen automaattisesti kääntämällä virtakytkintä (38) "I" asentoon ja painamalla alas turvallisuuskyskyntä (1). Työnnä varovasti konetta eteenpäin siten, että sallit hihnalaikan säiliön rungon alaosassa rinnastaa harjan tai pehmusteen pitimen kanssa, joka voidaan sitten asentaa. Vapauta sitten turvallisuuskyskyntä. Jos tarpeen, toista tämä toimenpide, kunnes harja/pehmusteen pidin on asennettu.
6. Jos vaihe 5 yläpuolella tuntuu olevan liian vaikea, käytä manuaalista menetelmää seuraamalla nuolen päätä (D) harjan/pehmusteen pitimen asentamiseksi (kuten **Kuva 3** näytetään).
7. Lastataksesi harjan/pehmusteen pitimen automaattisesti, käännä virtakytkin (38) "O" asemaan. Käytä kahvaa kahvatangon pitämiseksi ja paina konetta alaspäin, kunnes opaslaikka koskettaa lattiaa ja harja/pehmusteen pidin roikkuu ilmassa. Kytke virtakytkin (38) "I" asentoon ja paina alas turvallisuuskyskyntä antaaksesi harjan tai pehmusteen pitimen kääntyä, kunnes harja/pehmusteen pidin putoaa lattialle.
8. Jos vaihe 7 yläpuolella tuntuu olevan liian vaikea, käytä manuaalista menetelmää kääntämällä harjaa/pehmusteen pidintä normaalia menosuuntaa vastakkaiseen suuntaan, ja se voidaan poistaa. (Kuten **kuva 3** näkyy)

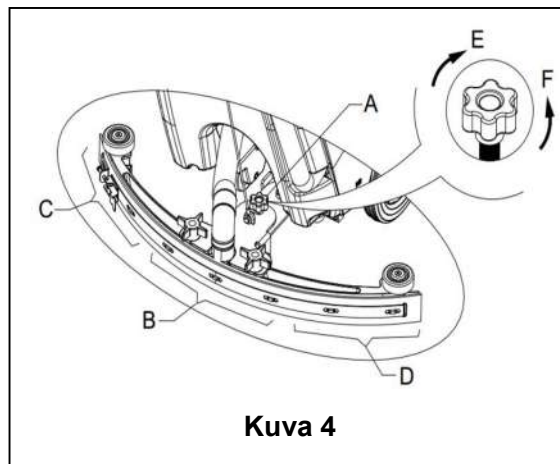


Kuva 3

IKKUNALASTAN TASAPAINON SÄÄTÄMINEN

9. Asenna ikkunalasta ja käännä se kireälle kahvan avulla (16). Liitä imuputki ikkunalastaan (11).
10. Säädä ikkunalasta säätökahvan läpi (A) ikkunalastassa (katso **Kuva 4**).

- 1) Jos taka ikkunalastan raidan keskiosassa, jaksossa B, on rako lattialla tai alaspaine on suhteellisen kevyt, säädä kahvaa vastapäivään, kunnes takaikkunalastan koko pituus koskettaa lattiaa. Etuikkunalastan raidan on koskettava kevyesti lattiaa.
- 2) Jos takakikkunalastan raidan kahdessa päässä, jaksossa C ja D on aukko lattialla tai alaspäinpaine on suhteellisen kevyt, säädä kahvaa myötäpäivään, kunnes takaikkunalastan koko pituus koskettaa myös lattiaa. Etuikkunalastan radian on kevyesti koskettava lattiaa.



Kuva 4

Liuosäiliön täyttö



VAARA!

Ainoastaan matalavaahtoisia, ei syttyviä pesuaineita voidaan käyttää. Nämä pesuaineet sopivat kaikkiin kaasunpesulaitteisiin.

11. Avaa veden tulokansi (27) ja lisää vesi liuosäiliöön. Älä täytä säiliötä yli. Lähimmän veden tulon suodattimen reunaan asti täyttäminen riittää. Kun valmistat puhdistusliuoksen, noudata tislauksarvoja, joita toimitettiin kemikaalin valmistukseen ja veden lämpötila ei saa ylittää 40°C.

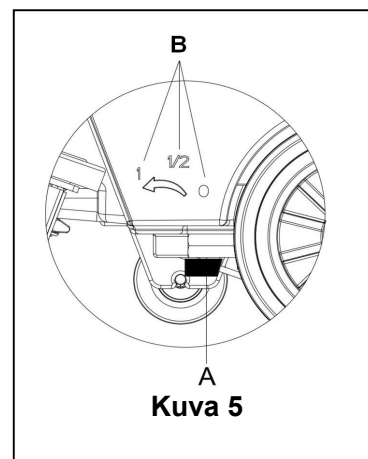
VEDENVIRTAUKSEN VOLYYMIN SÄÄTELY



VAROITUS!

Palloventtiilin kahvan säätely (A, Kuva 5) on tehtävä siinä tilassa, kun virtakytkin (38) on "O" asennossa.

12. Veden volyymin virtaus voidaan säätää palloventtiilin kahvan kautta (A, Kuva 5) mukaisesti lattian hankaamiseen.



Kuva 5

KONEEN KÄYNNISTYS JA PYSÄYTYS

Koneen käynnistäminen

1. Suorita esivalmistusvaiheet yllä mainitulla tavalla.
2. Liitä virtakaapeli (9) vastaavaan jännitevirran syöttöön ja paina virtakytkintä (38) "I" asentoon.
3. Käytä ikkunalastan kahvaa (14) sen alentamiseksi.
4. Paina imupumpun kytkin (39) "I" asentoon.
5. Paina vedenvirtausvolyymin hallintakytkin (40) "I" asentoon. (Työskentele samanaikaisesti turvallisuuskytkimellä (1) solenoidiventtiilin työn hallitsemiseksi.)
6. Pidä turvallisuuskytkimestä (1) ja työnnä koneen liikuttamiseksi. Harja (29) alkaa pyörimään, ja kone aloittaa puhdistustyön.



KONSULTAATIO: Koneen työntötap

Yksi koneen ominaisuus on kahden turvallisuuskytkimen asentaminen kahvatangon molemmilla puolilla. Jokainen turvallisuuskytkin kykenee hallitsemaan itsenäisesti harjan toimintaa. Käytössä se helpottaa koneen toiminnan hallintaa.

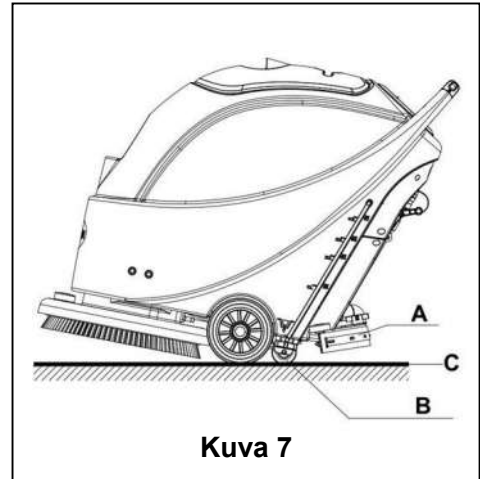
Kokemuksen perusteella koneen liikuttamistapa näytetty oikealla Kuvassa 6 sopii paremmin, käyttäjä tuntee sen mukavammaksi kädessä se vähentää työväsymystä. Joten käyttäjille suositellaan koneen liikuttamista tällä tavalla.



Kuva 6

Kytke kone pois

7. Kun olet lopettanut koneen käytön, purkaa ensin harja/pehmike pidin (viittaa harjan/pehmike pitimen asennus ja purkamisen jaksossa mainittuihin osiin)
8. Vaauta turvallisuuskytkin (1) harjan/pehmike pitimen ja solenoidiventtiilin pois kytkemiseksi.
9. Paina imupumpun kytkin (39) "O" asentoon, ja imupumppu viivästyy 5 sekunin ajan ennen työn lopettamista.
10. Paina vedenvirtausvolyymin hallintakytkin (40) "O" asentoon kytkeäksesi solenoidiventtiilin työ kokonaan pois.
11. Paina virtakytkin (38) "O" asentoon. Ja irrota virtakaapeli (9) viransyötöstä.
12. Käytä ikkunantaltan nostokahvaa (14) sen nostamiseksi.
13. Tarraa kahvatanko (2) ja kallista konetta hennosti taaksepäin, kunnes opaslaikka (B) koskettaa lattiaa. Katso kuva 7.



Kuva 7

KONEEN TOIMINTA (HANKAAMINEN JA KUIVAUS)

1. Käynnistä kone ylläolevan kuvauksen mukaisesti.
2. Pidä turvallisuuskytkintä (1) (Kuva 6 näytetyllä tavalla), työnnä koneen liikuttamiseksi ja aloita puhdistustyö.
3. Jos tarpeen, kytke kone pois ja säädä ikkunalastan säätelykahvaa. (Katso vaiheet ikkunalastan tasapainon säätämisestä)
4. Jos tarpeen, kytke kone pois ja säädä vedenvirtauksen volyyymiä palloventtiilin kahvalla. (Katso vedenvirtauksen volyymin säädön vaiheet.)

**VAARA!**

Voidaksesi välttää lattian vahingoittamista, kun kone pysyy yhdessä paikassa ilman liikkumista, kytke virtakytkin pois (38).

SÄILIÖN TYHJENTÄMINEN

Kun palautussäiliö on täynnä, kelluva automaattisessa kelluvassa sulkelaitteessa (36) estää tulon, joka yhdistää imupumpun. Melun yhtäkkisen lisääntymisen kautta imupumpusta voidaan harkita, että imupumppi on jo ylläastattu ja jäteveden välitön vuodatus on tarpeen.

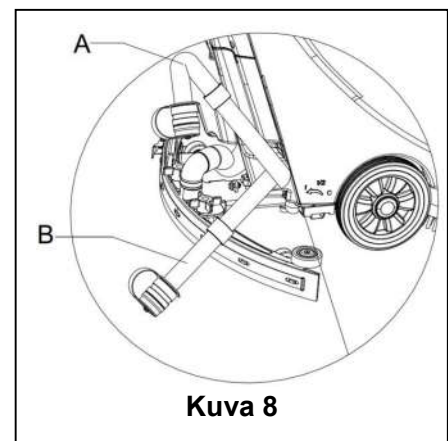
**VAARA!**

Jos imumoottorin kytketään yhtäkkiä pois (esim. Koska kone liikkahtaa jonka tuloksena kelluva akivoituu), ja jos toiminnan takaisinotto on tarpeen, suorita seuraavat askeleet: paina virtakytkintä (38 ja 39) virran ja imumoottorin pois kytkemiseksi ja avaa palautussäiliön kansi (25) sen tarkastamiseksi, onko kelluva kelluvassa suodattimessa palautettu veden pinnalle. Sulje sitten palautussäiliön kansi (25), ja paina virtakytkintä (38 ja 39) virran ja imumoottorin päälle kytkemiseksi.

Kun palautussäiliö on täynnä jätevettä, noudata seuraavia vaihteita sen vuodattamiseksi.

Palautussäiliön tyhjentäminen

1. Kytke kone pois.
2. Käyttämällä ikkunalastan kahvaa (14), nosta ikkunalasta.
3. Liikuta konetta sille omistetulle kaatopaikalle.
4. Tarraa kahvantanko (2) ja kallista konetta taaksepäin, kunnes opaslaikka koskettaa lattiaa. (Koneen telakoimiseksi katso koneen pysäyttäminen jakson toimepiteitä.)
5. Ota vuodatusletku pois kiinnitysniipistimestä, taita vuodatusletkun yläosaa (kuten A, Kuva 8 näytetään), avaa sitten vuodatusletkun kansi, alenna vuodatusletku alhaiselle tasolle tai maahan veden vuodattamiseksi. Vaihtoehtoisesti,



Kuva 8

sijoita vuodatusletku suoraan alhaiselle tasolle tai maahan veden lähdön alaspäin katsomiseksi (kuten **B**, **Kuva 8** näytetään), ja väännä sitten veden vuodatuskansi auki jäteveden vuodattamiseksi säiliöön. Kun vuodatus on valmis, käytä puhdasta vettä palautussäiliöiden sisäosan puhdistamiseksi.

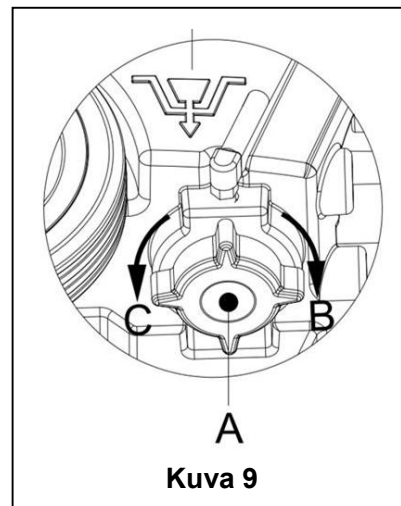
VAARA!



Jäteveden vuodattamisen yhteydessä imuputki jätevedelle on taitettava tai alennettava alempaan asentoon (kuten **Kuva 8 A** tai **B** näkyy), ja sitten avattava imuputken kansi jätteelle veden vuodattamiseksi. Älä tee jäteveden imuputken lähdöstä pystysuoraa voidaksesi vuodattaa vettä pystysuoraan. Tämä on jäteveden roiskumisen ehkäisemiseksi käyttäjän päälle.

Liuosäiliön tyhjentäminen

6. Suorita vaiheet 1 - 4.
7. **Kuva 9** näytetään, käännä Liuosäiliön kansi auki (A) vastapäivään suuntaan C, ja vuodata Liuosäiliö täysin. Käytä puhdasta vettä Liuosäiliön sisäosan pesemiseksi. Kun työ on valmis, käännä Liuosäiliön kansi kireästi (A) myötäpäivään suuntaan B.



KONEEN KÄYTÖN JÄLKEEN

Kun työ on valmis ja ennen koneen jättämistä suorita seuraavat vaiheet:

1. Noudata toimenpiteitä, kuten aikaisemmassa jaksossa kuvataan harjan/pehmuste pitimen asentamisesta ja purkamisesta ja ota harja/pehmuste pidin pois.
2. Noudata toimenpiteitä liittyvissä jaksoissa kuvattuna, vuodata vesi täysin Liuosäiliössä ja palautussäiliössä.
3. Suorita päivittäiset ylläpitotoimenpiteet (katso jaksoa ylläpidosta).
4. Varastoi kone, mukaan lukien harja/pehmuste pidin ja ikkunalasta, puhtaassa ja kuivassa paikassa. Ikkunalasta on nostettava ja otettava pois.

KÄYTTÖ ENSIMMÄISTÄ KERTAA

Kun olet käyttänyt sitä ensimmäisen 9 tunnin ajan, tarkasta kaikki osat sen varmistamiseksi, että se ei ole löystynyt tai vahingoittunut toiminnan aikana, ja tarkasta, onko siinä näkyviä vahinkoja tai vuotoja.

YLLÄPITO JA HUOLTO

Koneen huoltoikä ja maksimi toimintaturvallisuus on varmistettu sopivalla ja hyvin ajoitettu ylläpidolla ja huollolla.

Seuraava taulukko tarjoaa yleisen ylläpitosuunnitelman koneelle. Ylläpidon aikavälit on määritetty suurimmaksi osaksi koneen työolosuhteen kautta. Nämä aikavälit on ylläpidosta vastuussa olevan henkilöstön muodostettava.



VAROITUS!

Anoastaan kun koneesta on kytketty virta pois ja yhteys koneen ja akun välillä on katkaistu, voidaan nämä toimenpiteet suorittaa. Ennen minkään ylläpitotoimenpiteen suorittamista tutki tarkalleen liittyvät turvallisuusjaksot.

Kaikki ylläpidot suunnitelmassa tai lisäylläpidot on pätevän henkilöstön tai valtuutetun huoltokeskuksen suoritettava.

Tämä käsikirja liittyy ainoastaan yksinkertaisimpiin ja kaikkein yleisimpiin ylläpitotoimenpiteisiin.

Kaikkien muiden ylläpitotoimenpiteiden tapauksessa, kuin mitä suunnitellun ylläpidon taulukossa löytyy katso huoltokeskuksen ylläpitokäsikirjaa.

YLLÄPITO AIKATAULU

Toimenpide	Päivittäin, Kone käytön jälkeen	Viikottain	6 kuukaude n välein	Vuosittain
Lataa akku				
Puhdista harja/pehmusteen pidin				
Puhdista vesisäiliö ja kelluva suodatin, tarkasta eristysraidat vesitankilla				
Tarkasta ja muuta ikkunalastan raita				
Puhdista liuossuodatin				
Puhdista imumoottorin suodatin				
Tarkasta mutterien ja pulttien kireys			(1)	
Tutki tai muuta harjan/pehmusteen pitimen moottorin hiiliharjan				(2)
Tutki tai muuta Imumoottorin hiiliharja				(2)

(1) Se on suoritettava 9 tuntia koneen työn aloittamisen jälkeen.

(2) Nämä ylläpitotoimenpiteet on valtuutetun VIPER-huoltokeskuksen suoritettava.

IKKUNALASTAN PUHDISTAMINEN

**HUOM**

Voidaksesi ylläpitää veden imun optimaalisen tehokkuuden, on ikkunalastan raitaa pidettävä puhtaana, ja sen on pysyttävä hyvässä kunnossa.

**VAARA!**

Kun ikkunalasta puhdistetaan, suositellaan suojakäsineiden käyttöä, koska ikkunalasta voi sisältää teräviä osasia.

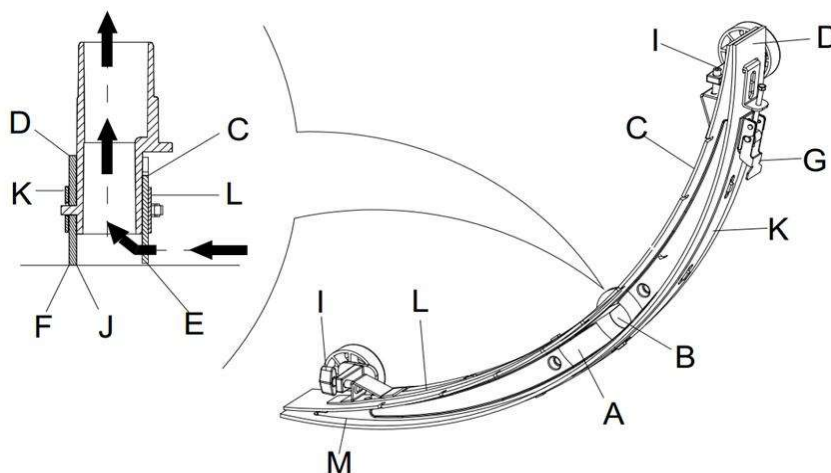
1. Liikuta konetta tasaiselle ja sileälle pinnalle.
2. Paina virtakytkin (38) "O" asentoon koneen pois kytkemiseksi.
3. Ruuvaa kiinteä kahva auki (16) ikkunalastalla; ota liitin pois, joka kiinnittää ikkunataltan Palautusimuputken, ja irrota ikkunataltta.
4. Käytä ikkunataltan nostokahvaa (14) ikkunataltan tukikehyksen nostamiseksi.
5. Puhdista ikkunataltta (**Kuva 10**). Puhdista erityisesti ura (A, **Kuva 10**) ja lika sekä imuputken osasista. Tarkasta, onko etu ikkunalastan terä (C) ja taka ikkunalastan terä (D) eheät, ja onko siinä rikkiäiset reunat ja raot. Muuta ne, jos tarpeen (katso vaiheita seuraavassa osassa).
6. Asenna ikkunalasta uudelleen päivävästisessä järjestyksessä.

IKKUNALASTAN TERÄN TARKASTUS JA VAIHTO

1. Noudata menetelmiä, jotka liittyvät edelliseen ikkunalastan puhdistusjaksoon (**Kuva 10**)
2. Tarkasta etu ikkunalastan terän reuna (E, **Kuva 10**) ja taka ikkunalastan terän reuna (F) (D). Koko pituudelta niiden on oltava samalla tasolla. Säädä niiden korkeutta muuten seuraavan toimenpiteen kautta.
 - Löysää nipistin (G) voidaksesi erottaa taka ikkunalastan terän (D) kehyksestä (M) ikkunalastan asennon säätämiseksi. Lukitse nipistin uudelleen säädön jälkeen.
 - Löysää kahvan ruuvia (I) etu ikkunalastan terän säätämiseksi (C); kiristä kahvan ruuvi säädön jälkeen.
3. Tarkasta onko etu ikkunalastan terä (C) ja taka ikkunalastan terä (D) ehjä ja onko siinä rikkiäisiä reunoja ja halkeamia. Jos tarpeen, muuta ne seuraavin tavoin. Tarkasta taka ikkunalastan terän etureuna (J) kulumisen vuoksi. Jos se on kulunut, se voidaan asentaa ylösalaisin (yläreunan on oltava ehjä). Jos yläreuna ei ole kulunut, muuta se noudattamalla alla olevia toimenpiteitä:
 - Löysää nipistin (G) antaaksesi paineterän erota kehyksestä (M), ota nipistintanko pois (K), ja muuta sitten tai käännä taka ikkunalasta (D) ylösalaisin. Asenna taka ikkunalastan terä päivävästisessä suunnassa uudelleen sen poistamiseksi.
 - Löysää kahvan ruuvi (I) ja ota etunipistintanko pois (L), ja muuta sitten etupuolen ikkunalasta (C). Asenna etupuolen ikkunalastan terä uudelleen päivävästisessä suunnassa sen poistamiseksi.

Ikkunalastan terän vaihdon jälkeen (tai sen ylösalaisin asentamisen jälkeen) säädä etu- ja takaikkunalastan terät ylläolevien toimenpiteiden mukaisesti.

- Liitä Imuputki (11) ikkunalastaan.
- Asenna ikkunalasta ja käytä nuppia (16) sen kiristämiseksi, liitä sitten Imuputki ikkunalastaan.
- Jos tarpeen, säädä ikkunalasta käsilaikan säädön kautta (20) (katso toimenpiteitä ikkunalastan tasapainon säätämiseksi).



Kuva 10

HARJAN/KIILLOTUSTYÖNNYN PUHDISTAMINEN



VAARA!

Harjaa/pehmusteen pidintä puhdistettaessa suositellaan suojalasien käyttöä, koska ne voivat sisältää teräviä osia.

- Kuten aikaisemmissa jaksoissa mainittiin, ota harja/pehmusteen pidin pois.
- Puhdista harja/pehmusteen pidin vedellä ja puhdistusaineella.
- Tarkasta harjan harjasten täydellisyys ja kulumistila ja, jos tarpeen, vaihda harja.
- Tarkasta pehmusteen pitimen kulumistila ja jos tarpeen vaihda pehmusteen pidin.

VESISÄILIÖN JA KELLUVAN SUODATINSILMIKON PUHDISTAMINEN

- Siirrä kone omistetulle kippauspaikalle.
- Paina virtakytkin (38) "O" asentoon koneen pois kytkemiseksi.
- Avaa palautussäiliön kansi (A, Kuva 11), ja ota kelluva laite pois (36) palautussäiliöstä.
- Käytä puhdasta vettä palautussäiliön kannen (A), säiliön (B ja C), ha kelluvan suodatintukikehyksen puhdistamiseksi (E). Palautusputken kautta (15), vuodata kaikki vesi vesisäiliöstä.
- Jos tarpeen, noudata symboleja "Avaa" ja "Sulje" kuten Kuva 11 näytetään, avaa kelluvan suodattimen alakansi (F) ja puhdista kelluva (D), kelluva tukikehys (E), ja suodattimen sieni (I). Puhdistamisen jälkeen kiinnitä kelluva kelluvan suodattimen tukikehykseen (E), ja rinnasta sitten kelluvan suodattimen merkin ura (L) (F) kelluvassa suodattimessa uramerkillä (L) kelluvassa tukikehyksessä (E). Käännä kelluvan suodattimen alakansi (F) kireästi, ja kiinnitä suodattimen sieni (I) kelluvan suodattimen tukikehykseen (E), sekä imuputken päälle (M).
- Tarkasta tiivistysrenkaan tiiviyys (G) vesisäiliön kannessa.

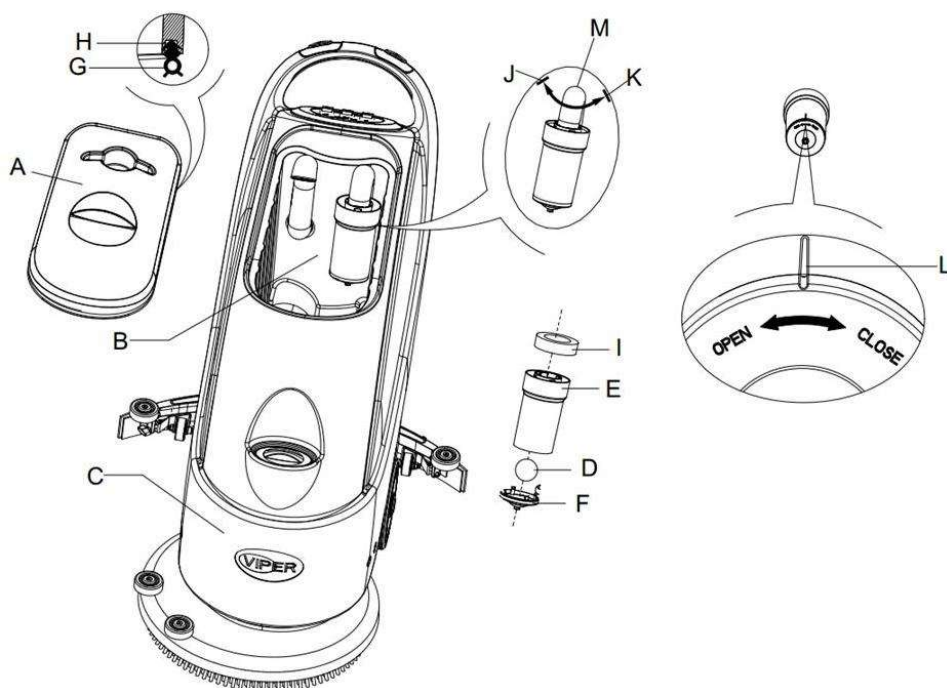


HUOM

Vesisäiliön eristysraita (G) tekee vesisäiliön luonnissa tyhjiön. Sen on oltava täysin eristetty voidakseen tehokkaasti imeä jäteveden lattialta.

Jos tarpeen, vesisäiliön eristyssäiliö (G) voidaan poistaa urasta (H) ja muuttaa. Kun kokoat uuden vesisäiliön eristysraitaa Kuva 11 osoitetulla tavalla, asena liitin takaosan keskijaksoon.

- 7 Tarkasta, onko eristysraidan vastaanottava pinta (G) ehjä ja eristää sopivalla tavalla.
- 8 Sulje palautussäiliön kansi (A).



Kuva 11

LIUSSUODATTIMEN PUHDISTAMINEN

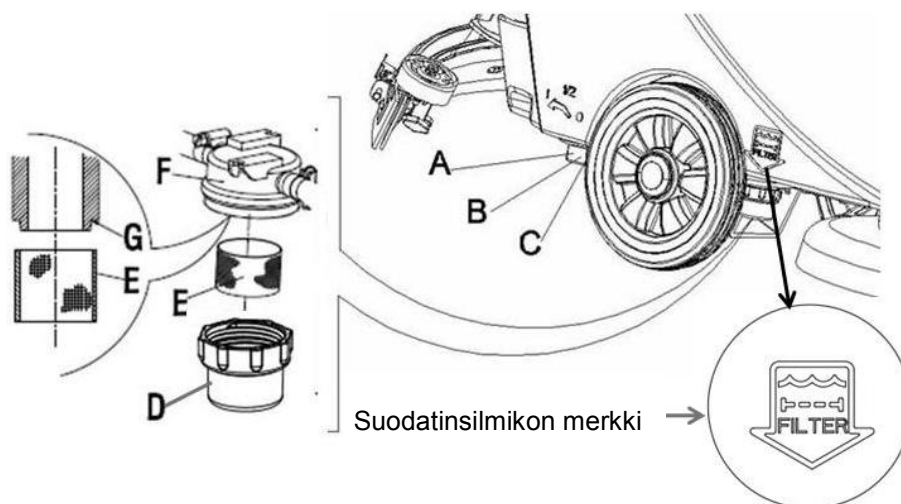
1. Vuodata kaikki vesi Liussäiliöstä, kuten liittyvissä jakoissa esitetään.
2. Siirrä kone tasaiselle ja sileälle pinnalle.
3. Paina virtakytkin (38) "O" asentoon koneen pois kytkemiseksi.
4. Kytke vuodatuspalloventtiili pois (A, **Kuva 12**) (löytyy koneen alaosassa, laikkojen takana). Sijoita B palloventtiili auki ja sijoita C palloventtiili kiinni.
5. Ota läpinäkyvä kansi pois (D), ja ota sitten suodatin pois (E), ja asenna ne suodatinlokeron päälle (F) puhdistamisen jälkeen.



HUOM

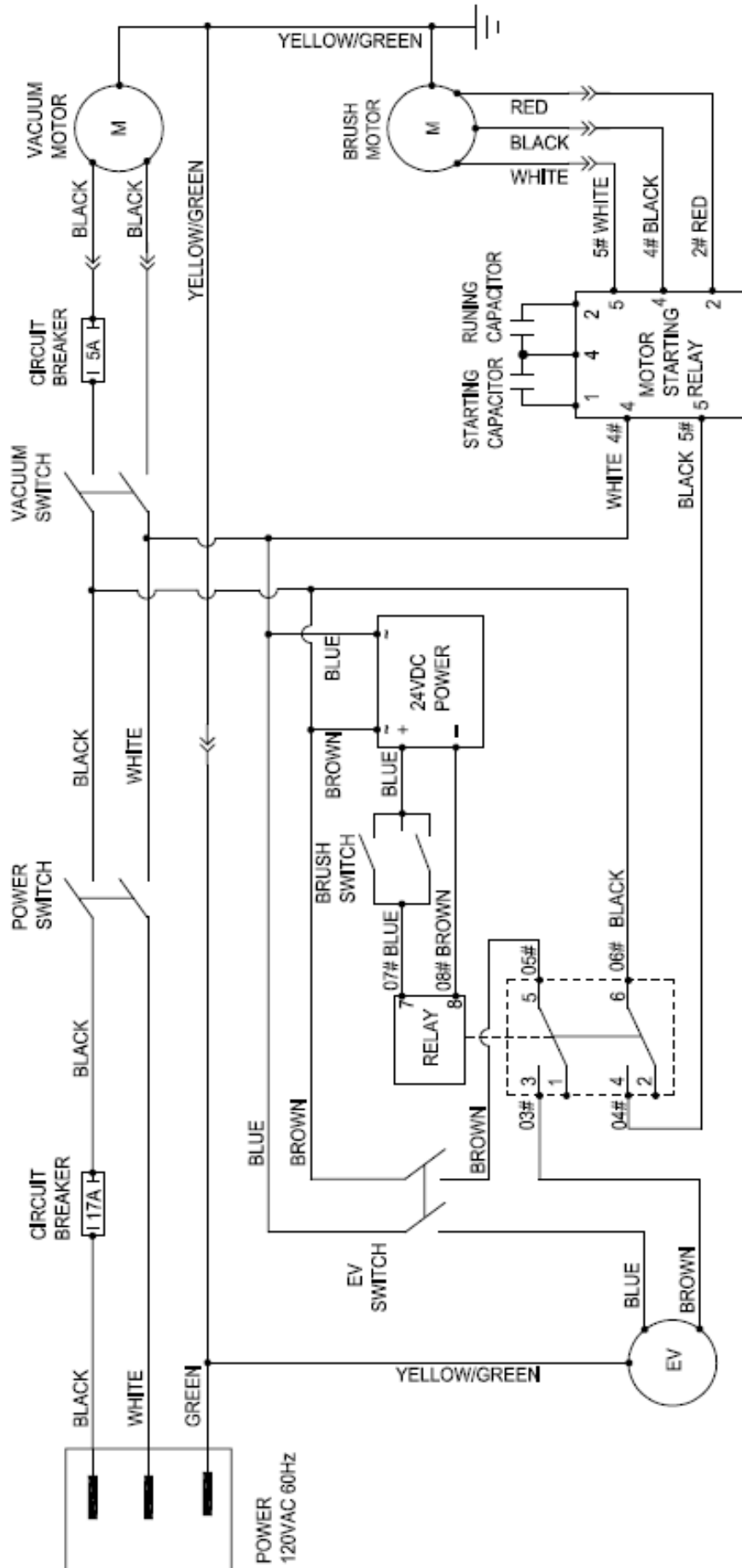
Suodatin (E) on asennettava tarkasti ulokkeen asemalle (G).

6. Avaa vuodatuspalloventtiili (A).



Kuva 12

AS430C JA AS510C VIRTAPIIRIKUVA



VIANMÄÄRITYS

Toimintahäiriö	Mahdolliset syyt	Korjaukset
Kone ei toimi	Johdotus ei ole oikein liitetty tai huono johdotus	Tarkasta johdotus tai ota yhteys Viper Jakelijaan
	Huono harjamoottori	Ota yhteys Viper Jakelijaan
	Hiiliharja kulunut	Ota yhteys Viper Jakelijaan
Imumoottori ei toimi	Johdotus ei ole liitetty oikein tai huono johdotus	Tarkasta johdotus tai ota yhteys Viper Jakelijaan
	Huono imumoottori	Ota yhteys Viper Jakelijaan
	Hiiliharjat kuluneet	Ota yhteys Viper Jakelijaan
Vähän tai ei ollenkaan liuosvirtaa	Huono palloventtiili	Ota yhteys Viper Jakelijaan
	Huono liuosventtiili	Ota yhteys Viper Jakelijaan
	Palloventtiilin asentoa on säädettävä	Kun palloventtiili on vaakasuorassa asennossa, liuosvirran määrä on maksimissaan
	Suodatin on likainen.	Puhdista suodatin
Riittämätön imu	Jätevesisäiliö on täynnä.	Vuodata vesisäiliö
	Imuputki jätteelle ja ikkunalastalle ei ole oikein liitetty	Liitä imuputki jätteelle ja ikkunalastalle
	Kelluva suodatin on estetty tai tulo estetty	Puhdista kelluva suodatin, tarkasta kelluva pallo
	Ikkunalasta on likainen tai ikkunalastan terä kulunut ja vahingoittunut	Puhdista ja tarkasta ikkunalasta
	Palautussäiliön kansi ei ole sopivasti kytketty päälle, tai veden eristysraidan säiliö on vahingoittunut	Sovita kansi sopivasti uudelleen, tai vaihda vesisäiliön eristeraita
Ikkunalasta jättää jälkiä	Jätteitä ikkunalastan terän alla, kuten hiukkasia	Poista hiukkaset
	Ikkunalastan terä on jo kulunut, haljennut, hauras.	Vaihda ikkunalastan terä
	Ikkunalastan tasapainoa ei säädetä	Säädä tasapainoa

KONEEN HÄVITYS

Käytä pätevää murskauskonetta tämän koneen hävittämiseksi.

Ennen tämän koneen hävitystä purkaa ja valikoi seuraavat materiaalit, jotka, liittyvien lakien ja säätelyjen mukaan on käsiteltävä oikealla tavalla.

- Akku
- Harja/pehmusteen pidin
- Muoviletkut ja muovikomponentit
- Sähkö- ja elektroniset komponentit (*)

(*): Ota yhteys lähimpään VIPER keskukseseen (erityisesti sähköisten ja elektronisten komponenttien romuttamisen suhteen on tarpeen).

OBSAH

ÚVOD.....	287
OBSAH PRÍRUČKY	287
CIEĽ.....	287
NÁHRADNÉ DIELY A ÚDRŽBA	287
ZMIEN A VYLEPŠENÍ	287
PÔSOBNOSŤ	287
IDENTIFIKAČNÉ ÚDAJE	287
ROZBALENIE / TRANSPORT	287
VŠEOBECNÉ BEZPEČNOSTNÉ SPRIEVODCA.....	288
TECHNICAL DATA	289
POPIS PRÍSTROJA	289
ŠTRUKTÚRA PRÍSTROJA	289
OVLÁDACÍ PANEL (Obrázok2).....	290
SPRIEVODCA PRE POUŽITIE	291
PRED SPUSTENÍM.....	291
INŠTALÁCIA A VYKLADANIE KEFY / DRŽIAKU	291
NASTAVENIE VYVÁŽENIA STIERACIE LIŠTY	291
REGULÁCIU OBJEMU PRIETOKU VODY.....	292
START A STOP.....	292
OBSLUHA (ČISTENIE A SUŠENIA)	293
VYPRÁZDŇOVANIE NÁDRŽE.....	293
PO POUŽÍVANÍ STROJA	294
POUŽITIE PRVÉHO ČASU	294
ÚDRŽBA A STAROSTLIVOSŤ	294
PLÁNOVANÁ TABUĽKA ÚDRŽBY	295
SQUEEGEE CLEANING	295
STIERACÍ NÔŽ KONTROLA A VÝMENNA.....	295
ČISTENIE ČISTIČA / LEŠTIACEJ PODLOŽKY	296
ČISTENIE NÁDŽE A FILTERA PLAVÁKA.....	296
ČISTENIE FILTRA.....	297
OKRUH AS430C A AS510C	298
RIEŠENIE PROBLÉMOV.....	299
LIKVIDÁCIA STROJA.....	299

ÚVOD



POZNÁMKA

Čísla v zátvorkách sa vzťahujú k príslušným komponentom uvedeným v časti popis.

OBSAH PRÍRUČKY

Táto príručka poskytuje prevádzkovateľovi potrebné informácie na správne a bezpečné používanie tohto stroja. Tieto informácie zahŕňajú technické údaje, pravidlá bezpečnosti, prevádzky, skladovanie, údržbu a likvidáciu stroja. Prevádzkovateľ a technici s príbuznou kvalifikáciou musí tento návod starostlivo preštudovať pred začatím prevádzky a údržby tohto stroja. Obráťte sa VIPER pri akýkoľvek otázkach na vysvetlenie tejto príručky alebo pri potrebe ďalších informácie.

CIEĽ

Zámerom tejto príručky je umožniť operátorovi a kvalifikovaných technikov dosiahnuť zachovanie práce tohto stroja.

Prevádzkovateľ nesmie vykonávať operácie, ktoré by mali byť vykonávané iba v autorizovanom servise. VIPER nenesie zodpovednosť za prípadné škody spôsobené porušením týchto pravidiel.

NÁHRADNÉ DIELY A ÚDRŽBA

Všetky potrebné opravy pre prevádzku, údržbu a postupy opravy musia byť vykonané kvalifikovanými pracovníkmi alebo servisnými strediskami VIPER

Mali by byť použité iba autorizované náhradné diely a príslušenstvo.

Ak sú potrebné služby a objednávka náhradných dielov alebo príslušenstva, obráťte sa na VIPER s číslom modelu stroja a sériovým číslom.

ZMIEN A VYLEPŠENÍ

VIPER umožňuje neustále zlepšovanie v jej produktoch. VIPER si vyhradzuje právo na zmenu a zlepšenie stroja, a tiež právo rozhodovať sám, či výhody, ktoré prináša zmena sa vzťahujú na výrobky, ktoré sa už predávajú. Všetky zmeny alebo ostatné príslušenstvo musia byť schválené cez spoločnosť VIPER a musia byť vykonané v spoločnosti.

PÔSOBNOSŤ

Tento prístroj je používaný v domácom i priemyselnom prostredí, a je vhodný pre čistenie hladkých a tvrdých podláh (drhnutie a zber odpadových vôd). Musí byť používaný odbornými pracovníkmi a v bezpečnom prostredí. Tento prístroj by sa nemal používať na čistenie vonku, na koberci, a na relatívne hrubých podláh.

IDENTIFIKAČNÉ ÚDAJE

Model stroja a sériové číslo sú vyznačené na štítku (4).

Táto informácia je užitočná, keď sa vyžadujú náhradné diely, pred použitím zapísať identifikačné údaje stroja do tabuľky:

Model.....
Sériové číslo

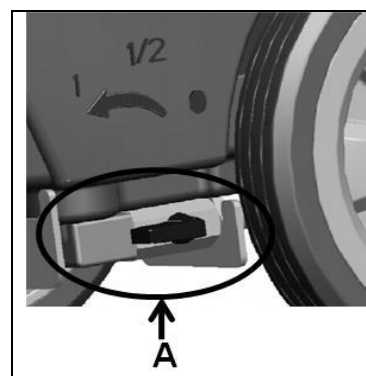
ROZBALENIE / TRANSPORT

Pri vybaľovaní prosím pozorne sledujte pokyny na obale.

Pri dodaní, prosím, skontrolujte obal a stroj, či nedošlo k poškodeniu počas prepravy. Ak sú na obale akákoľvek viditeľné, vráťte prístroj do pôvodného stavu požiadajte dopravcu o potvrdenie a vyplnenie zoznamu škôd a na náhradu škody.

- POZOR

Pri vybaľovaní a vykladaní alebo počas prepravy stroja, dbajte, aby nedošlo k zasiahnutiu spínača zapnutie / vypnutie alebo spínača na reguláciu prietoku vody, časť A na obrázku vpravo.



Skontrolujte, či je stroj vybavený nasledujúcimi položkami:

Technické dokumenty

- Návod na obsluhu

VŠEOBECNÉ BEZPEČNOSTNÉ SPRIEVODCA

Nižšie sú uvedené zvláštne varovania a upozornenia na prípadné škody (personálne a strojné):



VÝSTRAHA!

- Stroj môže byť prevádzkovaný iba pod vedením tohto návodu. Mal by používať len príslušenstvo schválené spoločnosťou VIPER.
- Tento stroj musí byť použitý iba vyškolená alebo oprávnená osoba. Deti alebo nevhodné osoby nesmú používať tento stroj.
- Pri práci v blízkosti elektrických častí, prosím, nenosiť žiadne šperky. Prosím prijať všetky preventívne opatrenia, aby sa zabránilo vlasom, šperkom a voľnému kovaniu alebo oblečeniu prichytiť k pohyblivými časťami stroja.
- Prosím, nepoužívajte tento stroj v mimoriadne znečistených oblastiach. Neumývajte stroj ihneď vodou. Nenechajte prístroj prísť do styku s agresívnymi kvapalinami.
- Teplota pre skladovanie a pre pracovné prostredie stroja musí byť v rozmedzí 0 - 40°C.
- Vlhkosť vzduchu musí byť v rozmedzí 30% - 105%.
- Prosím, nepoužívajte stroj na svahu so sklonom väčším ako 2%.
- V prípade požiaru použite suché práškové hasiace prístroje. Nepoužívajte tekuté hasiace prístroje.
- Osobitnú pozornosť treba venovať, keď je stroj prepravovaný pod 0°C. zásobník na vodu a voda v hadiciach môže zamrznúť a spôsobiť vážne poškodenie stroja.
- Použite kľuky a podložky dodané so strojom, ktoré sú uvedené v návode na použitie. Pri použití inej kľuky alebo podložky by sa mohla znížiť bezpečnosť.
- V prípade poruchy stroja sa uistite že nebula spôsobená nedostatočnou údržbou. Pokiaľ je spôsobená inými podmienkami, prosím, vyhľadajte pomoc poverenými pracovníkmi alebo servisným strediskom.
- Ak sa potvrdí, že náhradné diely musia byť vymenené, zaistite originálne diely od autorizovaných predajcov alebo zástupcov.
- Aby ste zabezpečili bezpečnú a správnu prevádzku stroja, nechajte autorizovaný personál alebo servisné stredisko vykonať plánovanú údržbu podľa plánov údržby v príslušných častiach príručky.
- Tento stroj musí byť riadne zneškodnený, pretože tam môžu existovať jedovaté a nebezpečné látky a tieto veci musia byť zneškodnené špeciálnymi strediskami v súlade s príslušnými zákonmi a nariadeniami (pozri časť o likvidácii strojov).

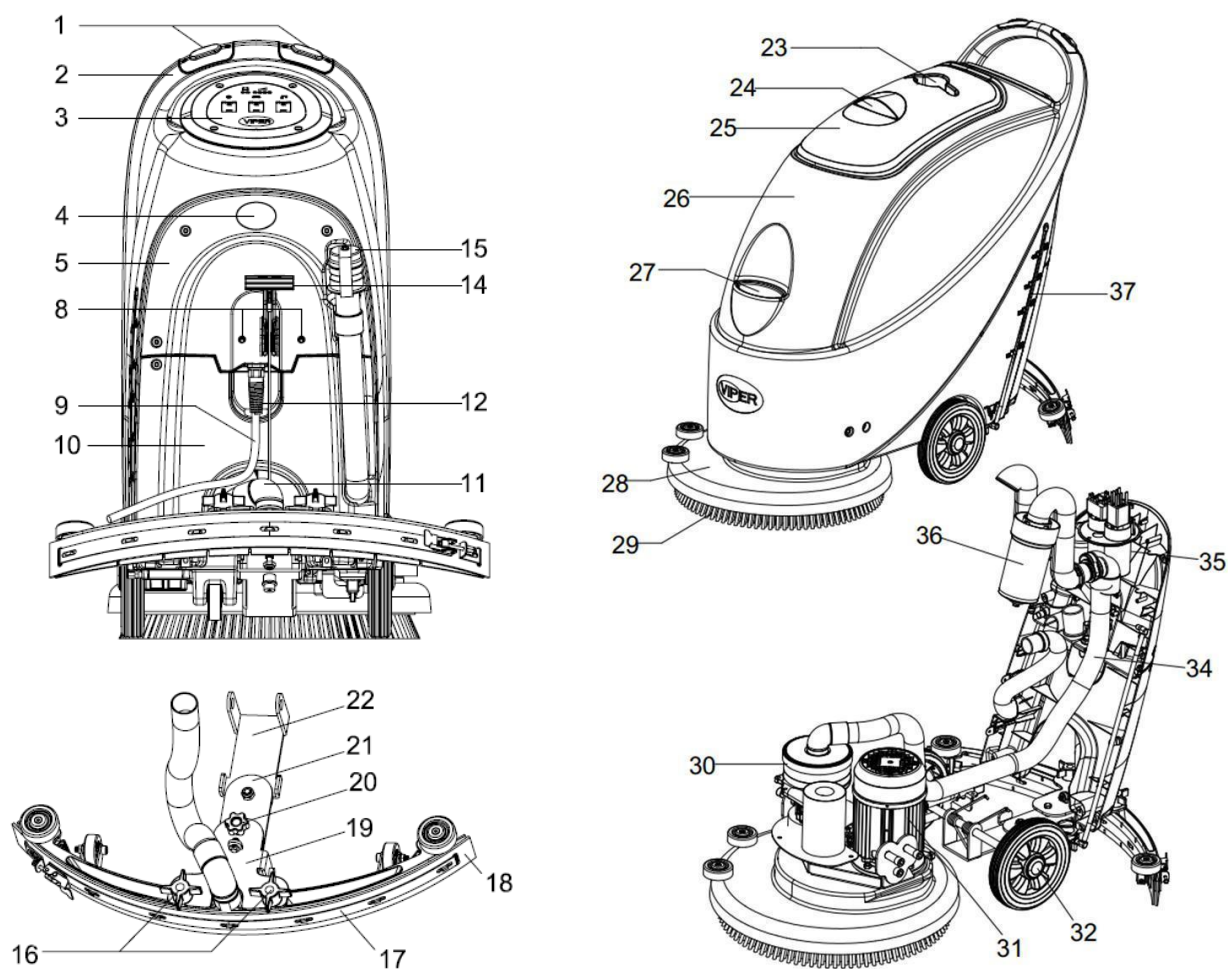
TECHNICAL DATA

Model	AS430C	AS510C
Výška stroja	980mm	
Kapacita nádrže roztoku	50 l	
Objem regeneračnej nádrže	50 l	
Priemer dopravného kolesa	200mm	
Priemer vodiaceho kolesa	63.5mm	
Výkon motora podtlakového systému	400w	
Maximálny sklon pri práci	2% (Max)	
Hladina akustického tlaku na pracovisku	72dB (A) ± 3dB (A)	
Dĺžka kábla	20m	
Objem okruhu vakuového systému	1200 mm H ₂ O	
Šírka čistenia	430mm	510mm
Šírka stierky	730mm	790mm
maximálna dĺžka stroja	1060mm	1100mm
Šírka stroja bez stierky	480mm	540mm
Priemer kefy	430mm	510mm
Hmotnosť s prázdnyimi nádržami	70kg	74kg
Hrubá hmotnosť stroja pripravená na použitie	120kg	124kg
Napájanie motora štetcom	750W	
Rýchlosť štetca	150rpm	
Držiak kefy / držiaku Maximálny tlak	32kg (Maks)	35kg (Maks)
Veľkosť balenia (d x š x v)	1200 x 610 x 1170mm	

POPIS PRÍSTROJA
ŠTRUKTÚRA PRÍSTROJA

- | | |
|---|---|
| 1. Tlačidlo bezpečnostného vypínača | 20. Ručné koleso na nastavenie stierky |
| 2. Riadidlá | 21. Zadný nosný rám stierky |
| 3. Ovládací panel | 22. Predný nosný rám stierky |
| 4. Sériové číslo / technické údaje / Certifikácia zhody | 23. Držiak pohára |
| 5. Ovládací kryt | 24. Rukoväť krytu nádrže na regeneráciu |
| 6. N / A | 25. Poklop nádrže na regeneráciu |
| 7. N / A | 26. Tankové teleso |
| 8. Resetovací spínač | 27. Kryt prívodu vody |
| 9. Napájací kábel | 28. Štetec |
| 10. Kryt batérie | 29. Kartáč / držiak podložky |
| 11. Vákuová trubica na odpad | 30. Vákuový motor |
| 12. Kábel na stieranie stierky | 31. Kartáčový motor |
| 13. N / A | 32. 8 "koleso |
| 14. Zvislá rukoväť stierky | 33. N / A |
| 15. Odtoková hadica | 34. Vákuová trubica |
| 16. Pevný gombík stierky | 35. Elektrická skrinka |
| 17. Spona stierky | 36. Plavákový filter |
| 18. Čepel stierky | 37. Rúrka hladiny vody (označuje množstvo vody) |
| 19. Nosný rám stierky | |

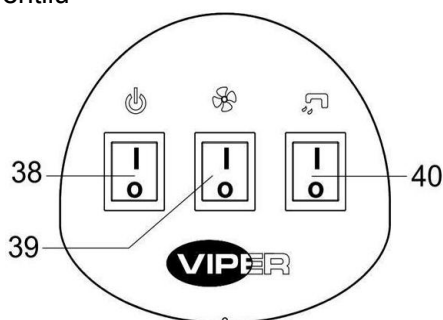
OBRÁZKOVÝ POPIS PRÍSTROJA



Obrázok 1

OVLÁDACÍ PANEL (Obrázok2)

- 38. Spínač On / Off
- 39. Vákuový spínač
- 40. Spínač elektromagnetického ventilu



Obrázok 2

SPRIEVODCA PRE POUŽITIE



VÝSTRAHA

Na niektorých časti stroja sú vložené niektoré orientačné značky:

- NEBEZPEČENSTVO
- VÝSTRAHA
- POZOR
- KONZULTÁCIA

Pri čítaní tohto manuálu, musí operátor venovať osobitnú pozornosť týmto symbolom.

Za žiadnych okolností nesmú byť pokryté tieto značky. Ak sú poškodené, vymeňte ich okamžite.

PRED SPUSTENÍM

INŠTALÁCIA A VYKLADANIE KEFY / DRŽIAKU



POZNÁMKA

Podľa typu podlahy, ktoré majú byť čistené, môže byť stroj inštalovaný s kefou (Obrázok 3, A), alebo podložkou s držiakom (Obrázok 3, B a C).

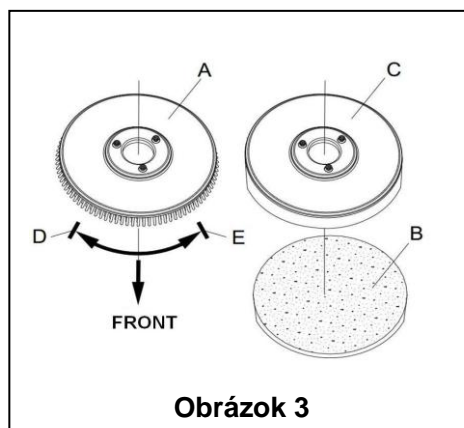


UPOZORNENIE!

Pri ručnej inštalácii alebo vykladaní kefy / podložky držiaka, najprv skontrolujte, či sú všetky spínače v polohe vypnuté a zdvihnite stierku z podlahy, až po ktorý môže kefa alebo držiteľ pracovať. Okrem toho, prosím, dať na ochranné rukavice, aby sa zabránilo porezaniu čiastočkami.

1. (Platí iba pre AS430C a AS510C): Uistite sa, že napájací kábel (9) je odpojený z napájania a spínač (38) je v (O) stave vypnutia.
2. Zatláče na riadidlá (2) zdvihnite telo nádrže (26).
3. Vložte kefu (A) alebo podložku s držiakom (B - C).
4. Použite riadidlá (2) na zníženie tela nádrže (26) pre styk s kefkou alebo podložky držiaka.

5. Ak chcete nainštalovať kefy / podložky, prepnite hlavný vypínač (38) Do polohy "I" zatlačením ochranného vypínača (1). Jemne stlačte prístroj dopredu tak, aby sa remenica v spodnej časti telesa nádrže pre vyrovnala s kefou alebo podložkou držiaku, ktorý potom môže byť inštalovaný. Potom uvoľnite bezpečnostný spínač. Ak je to nutné, opakujte tento postup, kým nie je inštalovaná kefa / držiak.
6. Ak krok 5 vyššie náročný použite metódu ručného nastavenia pomocou šípky (D) na inštaláciu kefy / podložky (ako je znázornené na obrázku 3).
7. Ak chcete automaticky uvoľniť kefu / podložku, prepnite hlavný vypínač (38) Do polohy "O". Pomocou rúk držte riadidlá a stlačte zariadenie smerom nadol, až sa vodiace koleso bude dotýkať podlahy a kefy / podložky ktorá visí vo vzduchu. Zapnite hlavný vypínač (38) Do polohy "I" a zatlačte bezpečnostný spínač, aby skrutka kefy či držiaku, spadne na zem.
8. Ak je krok č.7 vyššie sa náročný, potom použite metódu ručného otáčaním kefy / podložky v smere opačnom k normálnemu smeru otáčania, a nastavte kefu. (Ako je znázornené na obrázku 3)

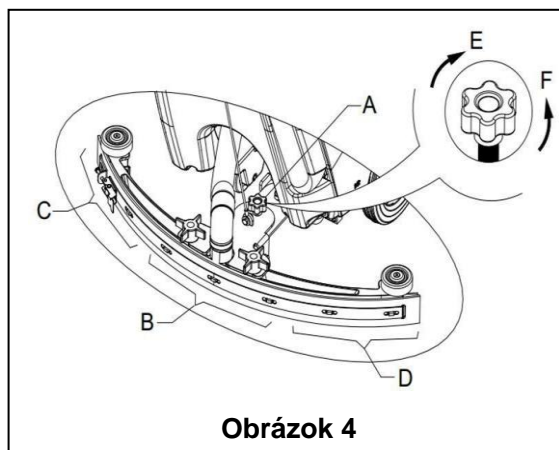


Obrázok 3

NASTAVENIE VYVÁŽENIA STIERACEJ LIŠTY

9. Nainštalujte stierku a nasadte ju pevne na rukoväť (16), Potom pripojte elektrónku(11) odpadu do stierky.
10. Nastavte stierku pomocou nastavovacej rukoväte (A) stieracej lišty (pozri Obrázok 4).
 - 1) V prípade, že stredná časť zadnej stierky, oddiel B, má medzeru s podlahou, alebo klesajúcim tlakom potom treba upraviť rukoväť v proti smere hodinových ručičiek, až po celej dĺžke zadnej stierky aby sa dotýkal dobre s podlahou. Predný stierací pás by sa mal zľahka dotýkať podlahy.

- 2) V prípade, že stredná časť zadnej stierky, oddiel C a D, má medzeru s podlahou, alebo klesajúcim tlakom potom treba upraviť rukoväť v proti smere hodinových ručičiek, až po celej dĺžke zadnej stierky aby sa dotýkal dobre s podlahou. Predný stierací pás by sa mal zľahka dotýkať podlahy.



Obrázok 4

Roztok pre plnenie nádrže



POZOR!

Len nízko penové prípravky môžu byť použité a tak isto iba nehorľavé čistiace prostriedky. Tieto detergenty musia byť vhodné pre použitie u tohto prístroja.

11. Otvorte kryt nádržky na vodu (27), a rileyte vodau do nádrže. Neprepĺňajte nádrž. Plnenie do blízkosti okraja držiaka filtra z prívodu vody postačí. Pri príprave použite čistiace roztoky, podľa rozriedenia dodávané z chemickej výroby a teplota vody nesmie prekročiť 40°C.

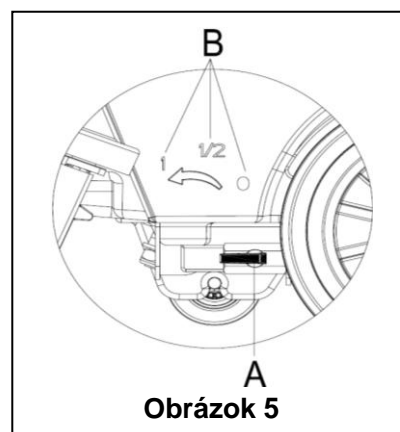
REGULÁCIU OBJEMU PRIETOKU VODY



VÝSTRAHA!

Regulovanie pomocou rukoväte guľového kohúta (A, Obrázok 5) Musí byť vykonané za podmienky, keď je hlavný vypínač (38) Je v polohe "O".

12. Objem prietoku vody môže byť nastavený prostredníctvom rukoväti guľového ventilu (A, Obrázok 5), V závislosti na množstve vody prakticky potrebného pre čistenie podlahy.



Obrázok 5

START A STOP

Uvedenie do prevádzky

1. Najprv dokončiť prípravné súvisiace kroky vyššie.
2. Pripojenie napajací kábel (9) na napájanie na zodpovedajúce napätie, a stlačte hlavný vypínač (38) do polohy "I".
3. Použite stieraciu rukoväť (14) Znížte stieraciu lištu.
4. Stlačte tlačidlo Vacuum (39) Do polohy "I".
5. Stlačte ovládacie objemového prietok vody spínačom (40) Do polohy "I". (Práca súčasne s bezpečnostným spínačom (1) na kontrolu práce elektromagnetického ventilu).
6. Držte bezpečnostný spínač (1) a zatlačte na pohyb stroja. Kefa (29) sa začne otáčať, a prístroj začína prácu čistenia.



INFORMÁCIE: Cesta k tlačeniu stroja

Jednou z vlastností stroja je inštalácia dvoch bezpečnostných spínačov na oboch stranách riadidiel. Každý bezpečnostný spínač je schopný regulovať nezávislú prevádzku kefy. Pri použití, uľahčuje kontrolu prevádzky stroja.

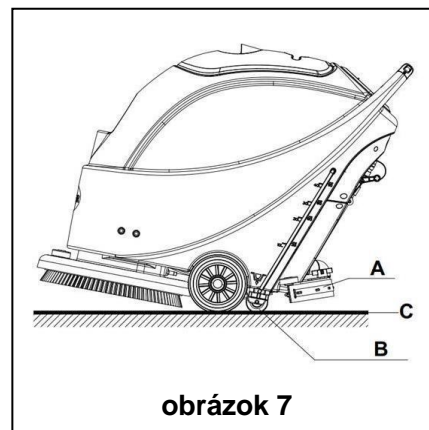
Podľa skúseností je metóda pre pohyb zariadenia je znázornené na obrázku vpravo 6 vhodnejšia, užívateľom ktorí sa tak cítia pohodlnejšie na rukách, znižuje únavu a prepracovanosť. Takže užívatelia sa odporúča posúvať stroj týmto spôsobom.



Obrázok 6

Vypnutie zariadenia

7. Keď dokončíte prácu so strojom, najprv uvoľnite kefu / podložku (pozri kroky súvisiacich v kapitole kefa / inštalácia držiaka a vykládky)
8. Uvoľníte bezpečnostný spínač (1) vypnete kefu / podložku, držiak a elektromagnetický ventil.
9. Stlačením spínača Výveva (39) Do polohy "O", a vákuové čerpadlo držte po dobu 5 sekúnd pred ukončením práce.
10. Stlačením ovládania rýchlosti prietoku vody spínač (40) Do polohy "O", aby úplne vypol prácu solenoidového ventilu.
11. Stlačte hlavný vypínača (38) Do polohy "O". a odpojenjte napájací kábel (9) z napájacieho zdroja.
12. Použite zdvíhaciu rukoväť (14), aby odpojila stierku.
13. Uchopte rukoväť (2) a opatrne nakloníte stroj dozadu, až vodiace koleso (B) dotýka podlahy. viď obrázok 7.



obrázok 7

OBSLUHA (ČISTENIE A SUŠENIA)

1. Naštartujte stroj podľa vyššie uvedeného popisu.
2. Uchopte bezpečnostný vypínač (1) (podľa toho, ako je znázornené na obrázku 6), Stlačte pre manipuláciu so zariadením a spustíte čistiace práce.
3. Ak je to potrebné, vypnite stroj a nastavte rukoväť regulačnej stierky. (Pozrite kroky pre nastavenie vyváženosti stierkou)
4. Ak je to potrebné, vypnite stroj a nastavte rýchlosť prietoku vody s rukoväťou guľového ventilu. (Pozri kroky nastavenie objemu prietoku vody).

**POZOR!**

Aby sa zabránilo poškodeniu podlahy, keď je stroj na jednom mieste bez pohybu, vypnite hlavný vypínač (38).

VYPRÁZDŇOVANIE NÁDRŽE

Ak je plniaca nádrž plná, plavák v automatickom zariadení na vyprázdňovanie (36) zablokuje prívod pripojený k vývevu. Vďaka náhlemu zvýšeniu hluku z vákuovej pumpy sa dá predpokladať, že vákuové čerpadlo je už preťažené a je potrebné okamžité vypúšťanie odpadovej vody.

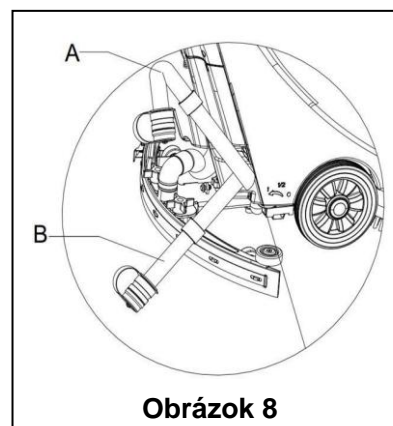
**POZOR!**

Ak je vákuový motor náhle vypnutý (napr. Preto, že sa stroj náhle presunul, čo má za následok aktiváciu plaváka) a ak je potrebné pokračovať v prevádzke, vykonajte nasledujúce kroky: stlačte vypínač (38 a 39) vypnite napájanie a vákuový motor a otvorte kryt (25) regeneračnej nádrže, aby sa skontrolovalo, či sa plavák v plavenom filtri vrátil na povrch vody. Potom zatvorte kryt regeneračnej nádrže (25) a stlačte vypínač (38 a 39) na zapnutie napájania a vákuového motora.

Keď je zberná nádrž úplne naplnená odpadovou vodou, postupujte podľa nasledujúcich krokov, aby ste všetko vypustili.

Vyprázdňovanie vypúšťacej nádrže

1. Vypnite zariadenie.
2. Pomocou rukoväte stierky (14) zdvihnite stierku.
3. Presuňte zariadenie na miesto vyhradeného na vypustenie.
4. Uchopte riadidlá (2) a opatrne sklopte stroj smerom dozadu, kým sa vodiace koleso nedotkne podlahy. (Pre ukotvenie stroja sa riadite postupmi pri zastavení časti stroja.)
5. Vytiahnite odtokovú hadicu z upevňovacej svorky, ohnite horný koniec vypúšťacej hadice (ako je znázornené na obrázku A,



Obrázok 8

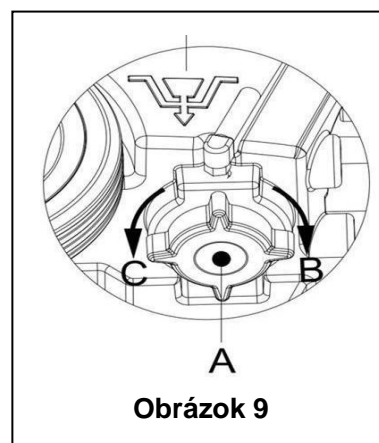
obrázok 8) a potom otvorte kryt vypúšťacej hadice, dolnú vypúšťaciu hadicu na nízku úroveň alebo na zem a vypustíte vodu. Alternatívne priamo odpojte hadicu do nízkej polohy alebo na zem, aby sa výstup vody dostal smerom dole (ako je zobrazený na obrázku B, obr. 8), a potom otáčajte otvorením viečka na vypúšťanie vody, aby ste vypustili odpadovú vodu v nádrži. Po ukončení odtoku použite čistú vodu na čistenie vnútorného priestoru regeneračnej nádrže.

**POZOR!**

Pri vypúšťaní odpadovej vody sa vákuová trubica na odpad musí sklopiť alebo spustiť do spodnej polohy (ako je znázornené na obrázku 8 A alebo B) a potom otvoriť veko vákuovej trubice na odpad na vypúšťanie vody. Nevypúšťajte výtok z vákuovej trubice smerom nahor, aby ste mohli vodu vypúšťať zvisle. To má zabrániť úniku odpadovej vody na obsluhu.

Vyprázdňovanie nádrže roztoku

6. Vykonajte kroky 1 až 4.
7. Ako je znázornené na obrázku 9, otvorte veko nádrže roztoku (A) v smere proti smeru hodinových ručičiek pozdĺž smeru C a úplne vypustíte nádrž roztoku. Na čistenie vnútra nádrže na roztok použite čistú vodu. Po skončení práce zatvorte veko nádrže Solution (A) v smere hodinových ručičiek v smere B.

**Obrázok 9****PO POUŽÍVANÍ STROJA**

Po dokončení práce a pred opustením zariadenia postupujte nasledovne:

1. Postupujte podľa pokynov uvedených v predchádzajúcej časti o inštalácii a vyberaní držiaka kefy / držiaka podložky a odoberte držiak kefy / držiak podložky.
2. Podľa postupov popísaných v súvisiacich oddieloch úplne vypustíte vodu do nádrže a recyklačnej nádrže.
3. Vykonajte denné postupy údržby (pozrite si časť o údržbe).
4. Stroj, vrátane držiaka kefy / podložky a stierky, skladujte na čistom a suchom mieste. Stierka by mala byť zdvihnutá alebo vytiahnutá.

POUŽITIE PRVÉHO ČASU

Po použití počas prvých 9 hodín skontrolujte všetky časti, aby ste sa uistili, že počas prevádzky nedošlo k uvoľneniu alebo poškodeniu, a skontrolujte, či nedošlo k poškodeniu alebo úniku.

ÚDRŽBA A STAROSTLIVOSŤ

Životnosť a maximálna bezpečnosť prevádzky stroja sú zabezpečené správnou a včasnou údržbou a starostlivosťou.

Nasledujúca tabuľka obsahuje všeobecný plán údržby stroja. Časové intervaly údržby sú do značnej miery určené pracovnými podmienkami stroja. Tieto časové intervaly by mali formulovať pracovníci zodpovední za údržbu.

**VÝSTRAHA!**

Iba po odpojení prístroja by sa tieto postupy mali vykonať. Pred začatím niektorého z postupov údržby starostlivo preštudujte príslušné bezpečnostné časti.

Všetka údržba v pláne alebo každá ďalšia údržba musí byť vykonávaná cez kvalifikovaný personál alebo autorizované servisné stredisko.

Táto príručka sa vzťahuje iba na najjednoduchšie a najbežnejšie postupy údržby.

Ďalšie údržbárske postupy okrem tých, ktoré sú uvedené v tejto tabuľke plánovanej údržby, nájdete v príručke údržby servisného strediska.

PLÁNOVANÁ TABUĽKA ÚDRŽBY

Procedúra	Denne, po použití	Týždenne	6 mesačne	Ročne
Čistite stierky				
Čistite stierku				
Čistite kefku / držiak podložky				
Nádrž na čistú vodu a plavákový filter skontrolujte tesniace pásky nádrže na vodu				
Skontrolujte a vymeňte pás stierky				
Filter čistého roztoku				
Filter čistého vákua			(1)	
Skontrolujte tesnosť matiek a skrutiek				(2)
Skontrolujte či vymeňte uhlíkovú kefu kartáča / držiaka podložky				(2)

(1) Mala by sa vykonať 9 hodín po začiatku práce stroja.

(2) Tieto postupy údržby musia vykonávať autorizované servisné stredisko VIPER.

SQUEEGEE CLEANING



POZNÁMKA

Aby sa udržal optimálny účinok vákuovej vody, musí byť stierka udržiavaná v čistote a páska stierky musí zostať v dobrom stave.



UPOZORNENIE!

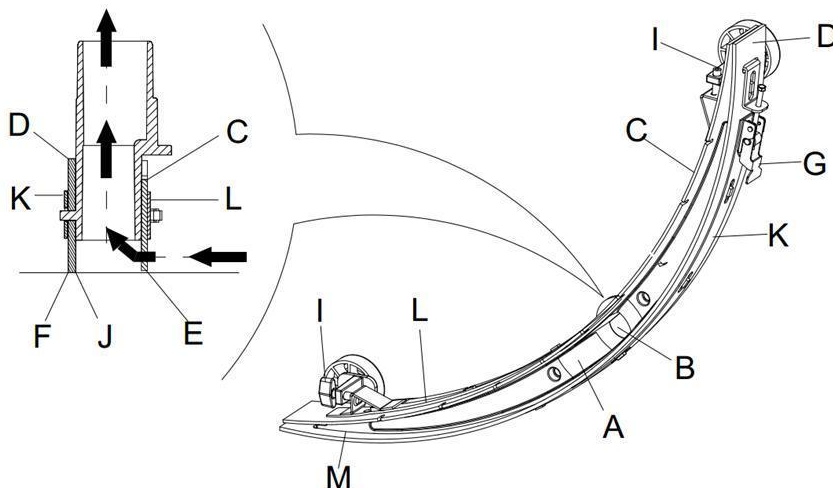
Pri čistení stierky sa odporúča vložiť ochranné rukavice, pretože stierka môže obsahovať ostré úlomky.

1. Stroj presuňte na rovný a hladký povrch.
2. Vypnite zariadenie stlačením vypínača (38) do polohy "O".
3. Odskrutkujte pevnú rukoväť (16) stierky; odpojte konektor, ktorý spája vakuovú trubicu na vytiahnutie stierky, a stierku stierať.
4. Zdvihnutím rukoväte stierky (14) zdvihnite rám nosiča stierky.
5. Vyčistite stierku (Obrázok 10). Najmä vyčistite drážku (A, obrázok 10) a nečistoty a úlomky na vákuovej trubici. Skontrolujte, či je čepeľ prednej stieracej lišty (C) a čepeľ (D) stieracej lišty neporušená a či sú poškodené hrany a trhliny. V prípade potreby ich vymeňte (pozrite si kroky v nasledujúcej časti).
6. Opätovne namontujte stierku v opačnom poradí, ako je uvedené vyššie.

STIERACÍ NŮŽ KONTROLA A VÝMENA

1. Podľa spôsobov uvedených v predchádzajúcej časti vyčistite stierku (obrázok 10)
2. Skontrolujte okraj (E, Obrázok 10) predného stieracieho listu a okraj (F) zadného listu stierky (D). V celej dĺžke by mali byť na rovnakej úrovni. V opačnom prípade nastavte ich výšku nasledujúcim postupom.
 - Uvoľnite príchytka (G), aby sa pre nastavenie polohy stierky lištu zadnej stierky (D) oddelila od konzoly (M). Po úprave znova zaistite klip.
 - Uvoľnite skrutku na rukoväti (I), aby ste nastavili čepeľ prednej stierky (C); utiahnite skrutku rukoväte po nastavení.
3. Skontrolujte, či je čepeľ prednej stierky (C) a čepeľ zadnej stierky (D) neporušená a či sú poškodené hrany a praskliny. Ak je to potrebné, zmeňte ich podľa nasledujúcich spôsobov. Skontrolujte predný okraj zadného listu stierky (J), či už bol opotrebovaný. Ak je opotrebovaný, môže byť inštalovaný obrátene (horná hrana musí byť neporušená). Ak je tiež horná hrana opotrebovaná, zmeňte ju podľa nasledujúceho postupu:
 - Uvoľnite príchytka (G), aby sa oddelila prítlačný kotúč od držiaka (M), odtrhnite príchytka (K) a potom zmeňte alebo otočte list zadnej stierky (D) obrátene. Opätovne namontujte zadnú stierku v opačnom poradí.

- Uvoľnite rukoväť skrutky (I) a odklopte predný klip (L) a potom zmeňte predný stierač (C). Znovu nainštalujte predný stierač v obrátenom poradí, pričom ho. Po zmene stierača (alebo inštaláciou nad nohami) nastavte úroveň predných a zadných stieračov v postupoch, ako je popísané vyššie.
- 4. Pripojenie Vákuová trubica (11) stierky.
- 5. Inštalácia stieracej lišty a pomocou ovládacieho prvku (16), aby sa zabezpečilo pripojenie vákuovej trubice na stieracej lište.
- 6. Ak je to nutné, upravte stierku pomocou nastavovacieho ručného kolesa (20) (pozri postupy na nastavenie rovnobežnosti stieracej lišty).



Obrázok 10

ČISTENIE ČISTIČA / LEŠTIACEJ PODLOŽKY



POZOR!

Pri čistení kefy / podložky, sa nosenie ochranných rukavíc sa neodporúča, pretože môžu obsahovať ostré úlomky.

1. Ako je to uvedené v predchádzajúcich častiach, odoberte kefu / držiak podložky.
2. Pri použití vody a čistiacich prostriedkov čistite kefu / držiak podložky.
3. Skontrolujte stav úplnosti a opotrebenia štetín na kefke av prípade potreby vymeňte kefu.
4. Skontrolujte stav nosenia držiaka podložky a ak je to potrebné, vymeňte držiak podložky.

ČISTENIE NÁDŽE A FILTERA PLAVÁKA

1. Stroj presuňte na miesto určenia.
2. Vypnite zariadenie stlačením vypínača (38) do polohy "O".
3. Otvorte veko uzáveru nádrže (A, obrázok 11) a odoberte plavákové zariadenie (36) z odpadovej nádrže.
4. Na čistenie uzáveru nádrže (A), zásobníka (B a C) a rámu nosiča plavákového filtra (E) použite čistú vodu. Pomocou spätnej rúry (15) vypustíte všetku vodu z nádrže na vodu.
5. Ak je to potrebné, podľa symbolov "Otvoriť" a "Zatvoriť", ako je znázornené na obrázku 11, otvorte spodné veko (F) plavákového filtra a očistite plavák (D), nosný rám filtra (E) filtračná špongia (I). Po očistení upevnite plavák na nosný rám (E) a potom zarovnajte drážku (L) spodného veka (F) plavákového filtra so značkovacou drážkou (L) rámu nosiča plaveného filtra (E). Otočte spodné veko (F) plniaceho filtra pevne a hubicu filtra (I) pripevnite na nosný rám (E) a potom na vákuovú hadičku (M).
6. Skontrolujte pevnosť tesniaceho krúžku (G) veka nádrže na vodu.

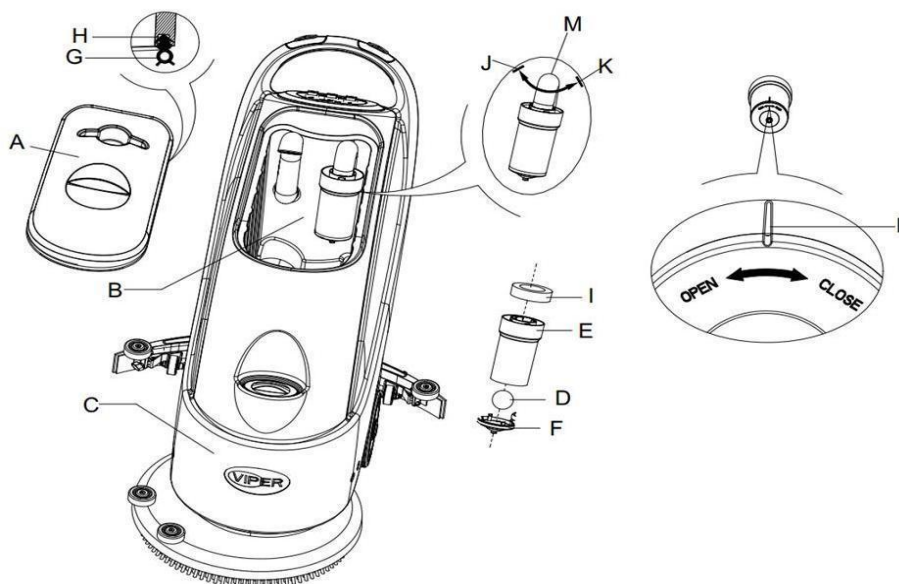


POZNÁMKA

Tesniaci pásik (G) nádrže na vodu spôsobuje, že nádrž na vodu vytvorí vákuum. Musí byť úplne utesnený, aby bol schopný účinne vysať odpadovú vodu z podlahy.

Ak je to potrebné, môže byť tesniaci pásik nádrže na vodu (G) vybratý z drážky (H) a vymenený. Pri montáži nového tesniaceho pásika vodnej nádrže, ako je znázornené na obrázku 11, namontujte konektor do strednej časti zadnej časti.

7. Skontrolujte, či je prijímacia plocha tesniaceho pásika (G) neporušená a tesne utesňuje.
8. Uzavrite uzáver nádrže (A).



Obrázok 11

ČISTENIE FILTRA

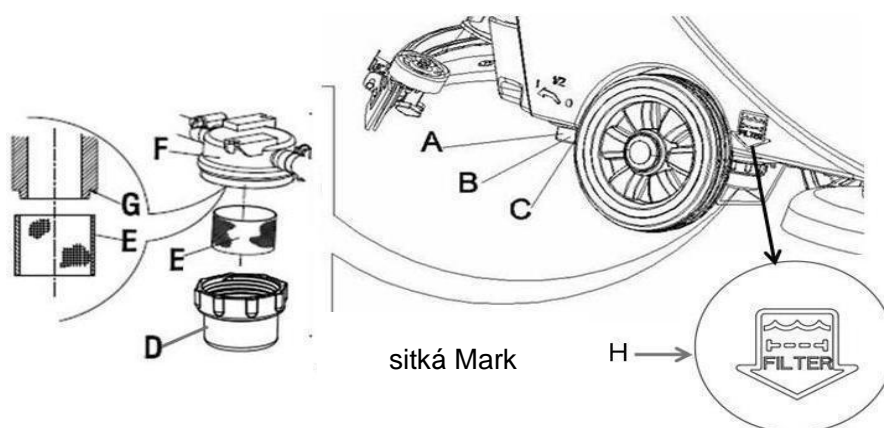
1. Vypustite všetku vodu z nádrže Solution tak, ako je uvedené v súvisiacich častiach.
2. Stroj presuňte na rovnú a hladkú podložku.
3. Vypnite zariadenie stlačením vypínača (38) do polohy "O".
4. Vypnite vypúšťací guľový kohút (A, Obrázok 12) (umiestnený v spodnej časti stroja za kolieskami). Otvorte guľový ventil polohy B a zatvorte guľový ventil C.
5. Zložiť priehľadný kryt (D) a potom zložte filter (E), a inštalujte ich na filter poľa (F), po očistení.



POZNÁMKA

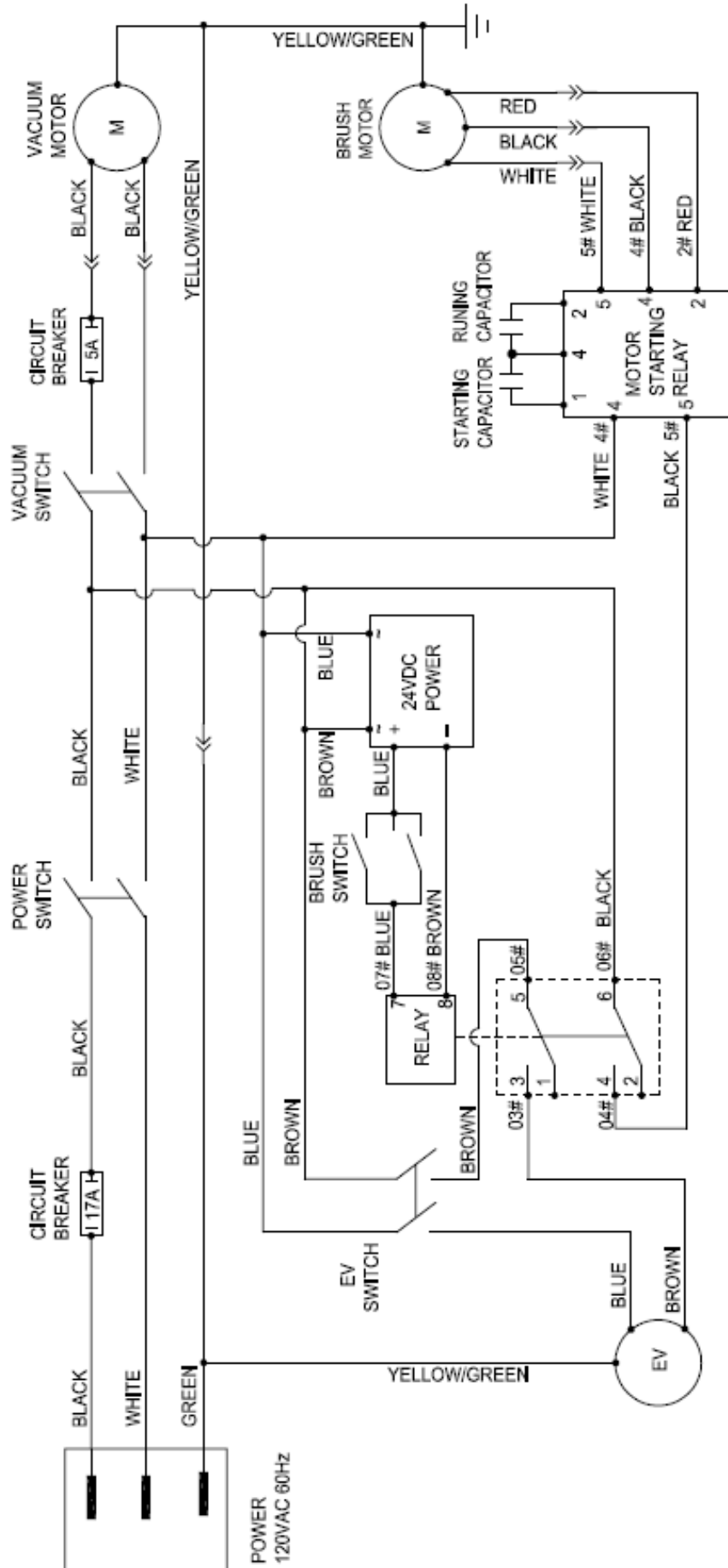
Filter (E) musí byť presne nainštalovaný na polohu výstupku (G).

6. Otvorte vypúšťací guľový ventil (A)



Obrázok 12

OKRUH AS430C A AS510C



RIEŠENIE PROBLÉMOV

Porucha	Pravdepodobné príčiny	Nápravné opatrenia
Stroj nefunguje	Elektrická inštalácia nie je správne pripojená alebo je nesprávne zapojené	Skontrolujte zapojenie alebo kontaktujte distribútora Viper
	Zlý motor motora	Obráťte sa na distribútora spoločnosti Viper
	Uhlíková kefa opotrebovaná	Obráťte sa na distribútora spoločnosti Viper
Vákuový motor nefunguje	Elektrická inštalácia nie je správne pripojená alebo je nesprávne zapojené	Skontrolujte zapojenie alebo kontaktujte distribútora Viper
	Špatný vysávač	Obráťte sa na distribútora spoločnosti Viper
	Uhlíkové kefy opotrebované	Obráťte sa na distribútora spoločnosti Viper
Malý alebo žiadny tok roztoku	Špatný guľový ventil	Obráťte sa na distribútora spoločnosti Viper
	Zlý ventil na vyriešenie	Obráťte sa na distribútora spoločnosti Viper
	Poloha guľového ventilu v prípade potreby nastavenia	Keď je guľový ventil vo vodorovnej polohe, množstvo toku roztoku je maximálne
	Filter znečistený.	Vyčistite filter
Nedostatočné vákuum	Nádrž na odpadovú vodu je plná.	Vypustite nádrž na vodu
	Vákuová hadica na odpad a stierka nie je správne pripojená	Pripojte vákuovú hadičku k odpadu a stierke
	Plavákový filter zablokovaný alebo vstupný otvor zablokovaný	Vyčistite pliakový filter, skontrolujte pliacu guľu
	Znečistená alebo stierka stierky je opotrebovaná a poškodená	Vyčistite a skontrolujte stierku
	Vyprázdnenie nádrže nie je správne zapnuté alebo je poškodený tesniaci pásik nádrže	Namontujte správne veko alebo vymeňte tesniaci pásik zásobníka vody
Značky opúšťajúce stierku	Úlomky pod štrbinou stierky	Odstráňte fragmenty
	Nožová stierka už opotrebovaná, prasknutá, krehká.	Zmeňte lopatku stierky
	Zostatok stierky nie je nastavený	Nastavte vyváženie

LIKVIDÁCIA STROJA

Na zničenie tohto zariadenia používajte kvalifikovaný drvič.

Pred zničením tohto zariadenia odoberte a oddelíte nasledujúce materiály, ktoré musia byť podľa príslušných zákonov a predpisov správne spracované.

- Štetec / držiak na vložku
- Plastové hadice a plastové komponenty
- elektrické a elektronické súčiastky (*)

(*): Obráťte sa na najbližšie centrum VIPER (najmä pri šrotovaní elektrických a elektronických súčastí)

SADRŽAJ

UVOD	301
SADRŽAJ PRIRUČNIKA.....	301
SVRHA	301
REZERVNI DIJELOVI I ODRŽAVANJE	301
PROMJENE I POBOLJŠANJA.....	301
PODRUČJE PRIMJENE	301
PODACI O IDENTIFIKACIJI.....	301
RASPAKIRAVANJE / PRIJEVOZ	301
OPĆE SIGURNOSNE UPUTE.....	302
TEHNIČKI PODACI	303
OPIS STROJA	303
STRUKTURA STROJA.....	303
KONTROLNI PANEL	304
VODIČ ZA UPORABU	305
PRIJE POČETKA RADA STROJA	305
UGRADNJA I SKIDANJE DRŽAČA ČETKE / ULOŠKA	305
UPRAVLJANJE BALANSOM ČETKE	305
REGULIRANJE VOLUMENA PROTOKA VODE	306
POKRETANJE I ZAUSTAVLJANJE STROJA	306
RAD STROJA (ČIŠĆENJE I SUŠENJE).....	307
PRAŽNENJE SPREMNIKA	307
NAKON UPORABE STROJA.....	308
KORIŠTENJE PRVI PUT	308
ODRŽAVANJE I NJEGA	308
TABELA RASPOREDA ODRŽAVANJA.....	309
ČIŠĆENJE ČETKE.....	309
PROVJERAVANJE I ZAMJENA NOSAČA ČETKE	309
ČIŠĆENJE ČETKE / ULOŠKA	310
ČIŠĆENJE SPREMNIKA VODE I NOSAČA FILTRA.....	310
ČIŠĆENJE FILTRA OTOPINE	311
SKICA AS430B I AS510B.....	312
RJEŠAVANJE PROBLEMA	313
ODLAGANJE STROJA	313

UVOD



BILJEŠKA

Brojevi u zagradama odnose se na pripadajuće dijelove prikazane u odjeljku Opis stroja.

SADRŽAJ PRIRUČNIKA

Ovaj priručnik pruža operatoru potrebne informacije kako bi ovaj uređaj koristio ispravno i sigurno. Informacije uključuju tehničke podatke, sigurnosni uvjeti, korištenje, skladištenje, održavanje i zbrinjavanje stroja. Operater i kvalificirani tehničari moraju pažljivo proučiti ovaj priručnik prije početka rada i održavanja ovog stroja. Molimo vas da kontaktirate VIPER za bilo kakve upite o objašnjenju ovog priručnika ili kada su potrebne daljnje informacije.

SVRHA

Svrha ovog priručnika je omogućiti operatoru i kvalificiranim tehničarima da obavljaju održavanje ovog stroja.

Operater ne smije obavljati radnje koje bi trebali obavljati samo kvalificirani tehničari. VIPER neće biti odgovoran za bilo kakvu štetu uzrokovanu kršenjem ovog pravila.

REZERVNI DIJELOVI I ODRŽAVANJE

Sve potrebne postupke za rukovanje, održavanje i popravke mora obavljati kvalificirano osoblje ili servisni centri VIPER-a

Treba koristiti samo autorizovane rezervne dijelove i pribor.

Ako je potrebno servisiranje i naručivanje rezervnih dijelova ili pribora, molimo kontaktirajte VIPER s modelnim i serijskim brojem stroja.

PROMJENE I POBOLJŠANJA

VIPER stalno poboljšava svoje proizvode. VIPER pridržava pravo promjene i poboljšanja strojeva, kao i pravo samog odlučivanja o tome jesu li pogodnosti koje su nastale promjenama primjenjive na već prodane proizvode. VIPER mora odobriti i obaviti sve promjene ili dodatni pribor.

PODRUČJE PRIMJENE

Ovaj uređaj za čišćenje koristi se u komercijalnom i industrijskom okruženju, a pogodan je za čišćenje glatkih i tvrdih podova (pročišćavanje i sakupljanje otpadnih voda). Mora ih koristiti kvalificirani operater i u sigurnom okruženju. Ovaj uređaj za čišćenje ne može se koristiti za čišćenje na otvorenom, na relativno grubim podovima, niti za čišćenje tepiha.

PODACI O IDENTIFIKACIJI

Model stroja i serijski broj označeni su na ploči (4).

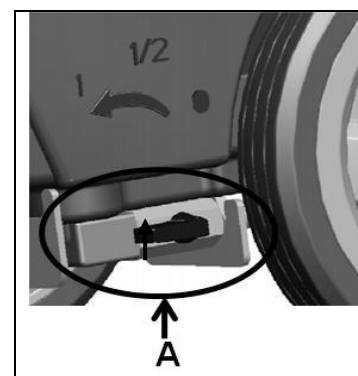
Ove informacije su korisne pri zahtjevanju rezervnih dijelova stroja. Koristite sljedeću tablicu da biste zapisali identifikacijske podatke stroja.

Model STROJA.....
Serijski broj STROJA

RASPAKIRAVANJE / PRIJEVOZ

Pažljivo pratite upute na pakiranju prilikom raspakiranja.

Pri isporuci provjerite pakiranje i stroj kako biste bili sigurni da nije došlo do oštećenja tijekom transporta. Ako postoje vidljive štete, molimo vas da zadržite izvornu formu i zatražite od prijevoznika da potvrdi i popuni popis oštećenja za naknadu štete.



— OPREZ

Prilikom raspakiranja i iskrcaja, ili tijekom pomicanja stroja koračanjem preko tla, pazite da ne pritisnete prekidač za uključivanje / isključivanje koji regulira protok vode, dio A na slici na desnoj strani.

Provjerite je li stroj opremljen sljedećim stavkama:

Tehnička dokumentacija

- Korisnički priručnik stroja

OPĆE SIGURNOSNE UPUTE

Slijede posebna upozorenja i obavijesti o potencijalnim štetama (osoblja i stroja):



UPOZORENJE!

- Stroj smije raditi samo prema uputama iz ovog priručnika. Treba koristiti samo pribor koji je odobrio VIPER.
- Ovaj stroj mora koristiti samo propisno osposobljeno ili ovlašteno osoblje. Djeca ili neprikladne osobe ne smiju koristiti ovaj uređaj.
- Prilikom rada u blizini električnih dijelova nemojte nositi nakit. Molimo vas poduzmite sve mjere predostrožnosti kako biste izbjegli da se kosa, nakit i labavi dijelovi odjeće ne bi mogli uhvatiti u bilo kojem pokretnom dijelu stroja.
- Nemojte koristiti ovaj stroj u osobito prljavim područjima. Nemojte prati stroj izravno s vodom. Nemojte dopustiti da stroj dođe u kontakt s korozivnim tekućinama.
- Temperatura za skladištenje i u radnom okruženju stroja mora biti između 0-40 °C
- Vlažnost zraka mora biti između 30% i 105%.
- Nemojte koristiti uređaj na nagibu s gradijentom većim od 2%.
- U slučaju požara, molimo da koristite aparat za gašenje požara sa suhim praškom. Nemojte koristiti vatrogasne aparate sa tekućinama.
- Posebnu pažnju treba posvetiti kada se stroj transportira ispod 0 °C. Spremnik za vodu i voda u crijevima može smrznuti i uzrokovati ozbiljne štete na stroju.
- Koristite četke i uloške isporučene s uređajem i one navedene u Uputama za uporabu. Korištenje drugih četki ili uložaka može smanjiti sigurnost.
- U slučaju kvarova stroja, provjerite da nije uzrokovana nedostatkom održavanja. Ako je uzrokovano drugim uvjetima, zatražite pomoć ovlaštenog osoblja ili servisnog centra.
- Ako se potvrdi da rezervni dijelovi moraju biti zamijenjeni, osigurati originalne dijelove od ovlaštenih zastupnika ili agenata.
- Kako bi se osigurala sigurna i pravilna uporaba stroja, molimo Vas osigurajte da ovlašteno osoblje ili servisni centar obavi zakazano održavanje prema rasporedu održavanja u odgovarajućim poglavljima priručnika.
- Ovaj stroj mora biti pravilno zbrinut, jer mogu postojati otrovne i opasne stvari, a te se stvari moraju odlagati posebnim centrima u skladu s odgovarajućim zakonima i propisima (pogledajte odjeljak zbrinjavanje stroja).

TEHNIČKI PODACI

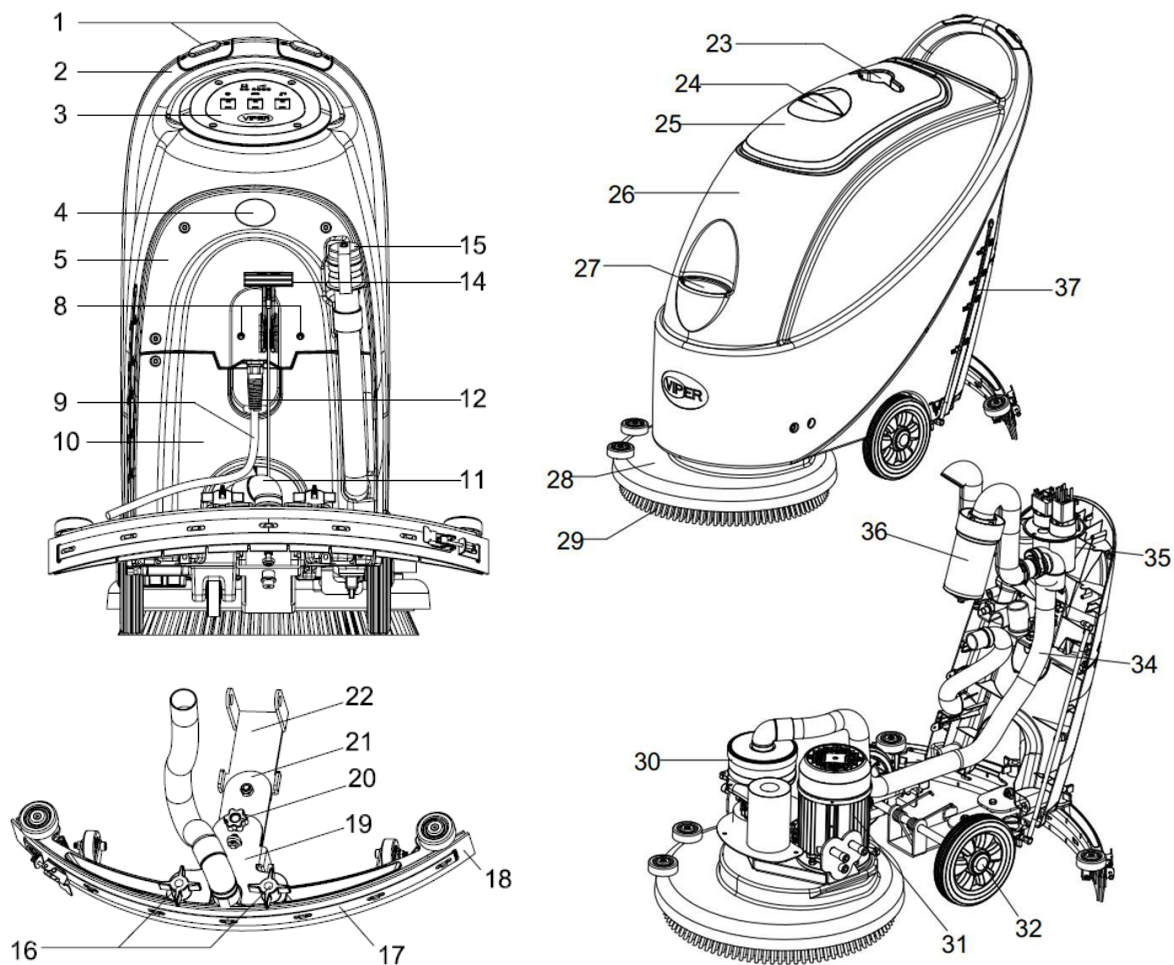
Model	AS430C	AS510C
Visina stroja	980mm	
Kapacitet spremnika otopine	50 litara	
Kapacitet spremnika povratne otopine	50 litara	
Promjer transportnog kotača	200mm	
Promjer vodilice kotača	63.5mm	
Snaga motora usisnog sustava	400w	
Maksimalni gradijent pri radu	2% (maks)	
Razina zvučnog tlaka na radnoj stanici	72dB (A) ± 3 dB (A)	
Dužina kabela	20m	
Kapacitet sklopa usisnog sustava	1200 mm H ₂ O	
Širina čišćenja	430mm	510mm
Širina četke	730mm	790mm
maksimalna duljina stroja	1060mm	1100mm
Širina stroja bez četke	480mm	540mm
Promjer četke	430mm	510mm
Težina s baterijama i s praznim spremnicima	70kg	74kg
Ukupna težina stroja spremnog za uporabu	120kg	124kg
Snaga motora četke	750W	
Brzina četke	150rpm	
Maksimalni pritisak držača četke / uloška	32 kg (maks.)	35kg (maks)
Veličina pakiranja (L x V x H)	1200 x 610 x 1170 mm	

OPIS STROJA

STRUKTURA STROJA

- | | |
|--|--|
| 1. Tipka za sigurnosni prekidač | 20. Ručica za podešavanje četke |
| 2. Upravljač | 21. Okvir stražnjeg nosača četke |
| 3. Upravljačka ploča | 22. Okvir prednjeg nosača četke |
| 4. Pločica sa Serijski brojem / Tehničkim podacima / Certifikacija sukladnosti | 23. Držač šalice |
| 5. Poklopac upravljača | 24. Ručica poklopca spremnika povratne otopine |
| 6. N / A | 25. Poklopac spremnika povratne otopine |
| 7. N / A | 26. Tijelo spremnika |
| 8. Prekidač za resetiranje | 27. Poklopac za dovod vode |
| 9. Kabel napajanja | 28. Platforma za četku |
| 10. Poklopac baterije | 29. Držač četke/ uloška |
| 11. Usisna cijev za otpad | 30. Motor usisnog sistema |
| 12. Sajla za izvlačenje četke | 31. Motor četke |
| 13. N / A | 32. 8" kotač |
| 14. Ručica za podizanje četke | 33. N / A |
| 15. Ispusno crijevo | 34. Usisna cijev |
| 16. Gumb za fiksiranje četke | 35. Električno kućište |
| 17. Kvačica četke | 36. Plutajući filter |
| 18. Nosač četke | 37. Cijev za vodu (za označavanje količine vode u spremniku otopine) |
| 19. Potporni okvir četke | |

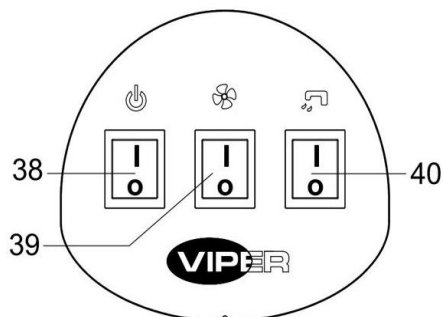
SLIKE STRUKTURE STROJA



Slika 1

KONTROLNI PANEL (Slika 2)

- 38. Prekidač za napajanje
- 39. Usisni prekidač
- 40. Prekidač elektromagnetskog ventila



Slika 2

VODIČ ZA UPORABU



UPOZORENJE

Na određenim dijelovima stroja zalijepljeni su neki indikativni znakovi:

- OPASNOST
- UPOZORENJE
- OPREZ
- KONZULTACIJA

Prilikom čitanja ovog priručnika, operator mora posebno paziti na simbole na ovim znakovima. Ni pod kojim okolnostima ove oznake ne smiju biti pokrivene. Ako su oštećene, odmah ih zamijenite.

PRIJE POČETKA RADA STROJA

UGRADNJA I SKIDANJE DRŽAČA ČETKE / ULOŠKA



BILJEŠKA

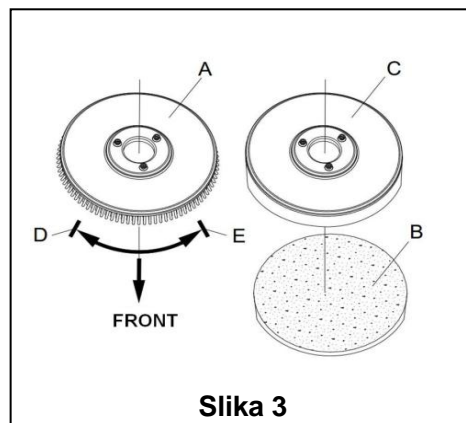
Prema vrsti poda koji se treba očistiti, stroj se može postaviti s četkom (Slika 3, A) ili držačem uloška (Slika 3, B i C).



OPREZ!

Kada ručno postavljate ili skidate držač četke / uloška, prvo provjerite jesu li svi prekidači isključeni i podignite četku od poda, nakon čega se na držaču četke / uloška može raditi. Nadalje, molimo da stavite zaštitne rukavice da se ne biste posjekli na deliće.

1. (Primjenjivo samo za **AS430C** i **AS510C**): provjerite je li kabel napajanja (9) koji odspaja napajanje i prekidač napajanja (38) u položaju odspojeno (**O**).
2. Pritisnite upravljač (2) da podignete tijelo spremnika (26).
3. Stavite četku (A) ili držač uloška (B - C) ispod kućišta.
4. Koristite upravljač (2) kako biste spustili tijelo spremnika (26) da dođe u dodir s četkom ili držačem uloška.
5. Da biste automatski postavili držač četke / uloška, okrenite prekidač za napajanje (38) u položaj "I" i pritisnite prekidač sigurnosni prekidač (1). Lagano gurnite stroj naprijed kako biste omogućili da se kotač remena na dnu tijela spremnika poravna s četkom ili držačem uloška koji se zatim može ugraditi. Zatim otpustite sigurnosni prekidač. Ako je potrebno, ponovite ovaj postupak sve dok ne postavite držač četke / uloška.
6. Ako se korak 5 iznad pokaže da je težak, koristite ručnu metodu slijedeći strelicu (D) kako biste postavili držač četke / uloška (kao što je prikazano na **Slika 3**).
7. Da biste automatski skinuli držač četke / uloška, uključite prekidač za napajanje (38) u položaj "O". Koristite ruku da držite upravljač i pritisnite stroj prema dolje dok vodilica kotača ne dotakne pod, a držač četke / uloška visi u zraku. Okrenite prekidač za napajanje (38) u položaj "I" i pritisnite sigurnosni prekidač kako bi pustili da se četka ili držač uloška okrenu sve dok držač četke / uloška ne padne na pod.
8. Ako se gornji korak br. 7 pokaže kao težak, upotrijebite ručnu metodu okretanjem držača četke / uloška u smjeru suprotnom od normalnog smjera okretanja i moći će se ukloniti. (kao što je prikazano na **Slika 3**)



Slika 3

UPRAVLJANJE BALANSOM ČETKE

9. Postavite četku i pričvrstite je ručkom (16). Zatim spojite usisnu cijev (11) za otpad na četku.
10. Podesite četku ručicom za podešavanje (A) četke (vidi **Slika 4**).
 - 1) Ako srednji dio trake stražnjeg djela četke, odsječak B, ima razmak s podom ili je tlak nadolje relativno lagan, namjestite ručicu u smjeru suprotnom od kazaljke na satu sve dok cijela duljina stražnje trake četke sasvim ne dotakne pod. Prednja traka za četke treba lagano dodirnuti pod.

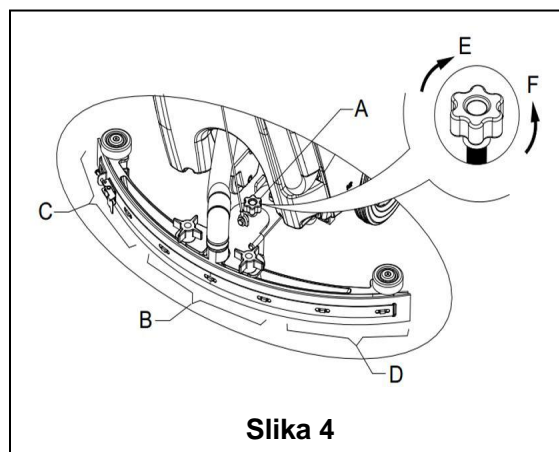
- 2) Ako su dva kraja stražnje trake za četke, odsječci C i D, i imaju razmak s podom ili je tlak nadolje relativno lagan, namjestite ručicu u smjeru kazaljke na satu sve dok cijela duljina stražnje trake četke sasvim ne dotakne pod. Prednja traka za četke treba lagano dodirnuti pod.

Punjenje spremnika otopine



OPREZI!

Mogu se koristiti samo nisko pjenušavi, nezapaljivi deterdženti. Ovi deterdženti moraju biti prikladni za svrhu čišćenja.



Slika 4

11. Otvorite poklopac za dovod vode (27) i dodajte vodu u spremnik otopine. Nemojte prepuniti spremnik. Punjenje do ruba držača filtra dovoda vode je dovoljno. Kada pripremate otopinu za čišćenje, slijedite stope razrjeđenja dobivenih od proizvođača kemije a temperatura vode ne smije prelaziti 40 °C.

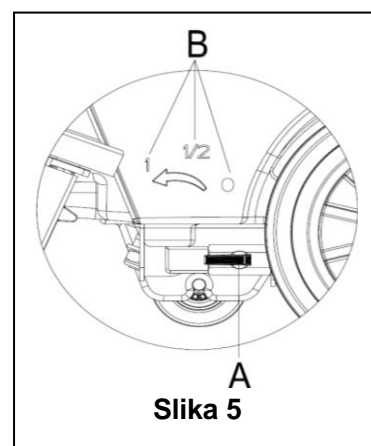
REGULIRANJE VOLUMENA PROTOKA VODE



UPOZORENJE!

Reguliranje ručke kuglastog ventila (A, slika 5) mora se obaviti pod uvjetom da je prekidač za napajanje (38) u položaju "O".

12. Volumen protoka vode može se podesiti kroz ručku kuglastog ventila (A, Slika 5) u skladu s količinom vode koja je praktički potrebna za čišćenje poda.



Slika 5

POKRETANJE I ZAUSTAVLJANJE STROJA

Pokretanje stroja

1. Dovršite pripremne korake kako je gore navedeno.
2. Spojite kabel za napajanje (9) na odgovarajuće naponsko napajanje i okrenite prekidač za napajanje (38) u položaj "I".
3. Koristite ručicu četke (14) kako biste spustili četku.
4. Pritisnite prekidač usisne pumpe (39) u položaj "I".
5. Pritisnite prekidač za kontrolu prskanja vodom (40) u položaj "I". (Radite istodobno s sigurnosnim prekidačem (1) da bi upravljali radom solenoidnog ventila.)
6. Držite sigurnosni prekidač (1) i gurnite ga za pokretanje stroja. Četka (29) se počinje okretati, a stroj započinje s čišćenjem.



KONZULTACIJA: Način guranja stroja

Jedna od karakteristika stroja je postavljanje dvaju sigurnosnih prekidača s obje strane upravljača. Svaki sigurnosni prekidač može samostalno kontrolirati rad četke. U uporabi, olakšava kontrolu rada stroja.

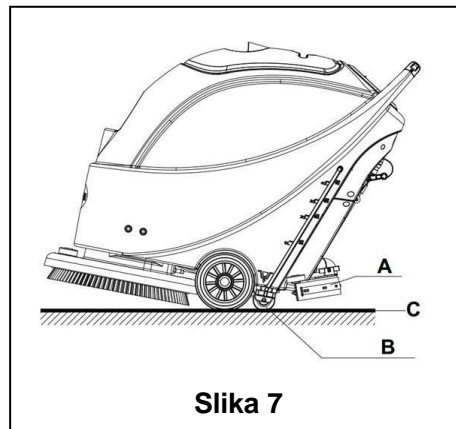
Po iskustvu, metoda pomicanja stroja prikazana na desnoj strani Slika 6 je prikladnija, korisnicima je udobnije za ruke, smanjuje se umor pri radu. Tako da se korisnicima preporučuje da na ovaj način pomiču stroj.



Slika 6

Zaustavljanje stroja

7. Nakon što ste završili s uporabom stroja, prvo izvucite držač četke / uloška (pogledajte korake koji se odnose na odlomak o postavljanju i skidanju držača četka / uloška)
8. Otpustite sigurnosni prekidač (1) kako biste isključili držač četke / uloška i solenoidni ventil.
9. Pritisnite prekidač usisne pumpe (39) u položaj "O", i usisna pumpa će se nakon 5 sekundi zaustaviti rad.
10. Pritisnite prekidač za kontrolu prskanja vodom (40) u položaj "O" kako biste potpuno isključili rad solenoidnog ventila.
11. Pritisnite prekidač napajanja (38) u položaj "O". I odspojite kabel napajanja sa izvora napajanja (9).
12. Pomoću ručice za podizanje četke (14) podignite četku.
13. Uхватите upravljač (2) i lagano nagnite stroj unatrag sve dok vodilica kotača (B) ne dotakne pod. Vidi **Slika 7**.

**Slika 7****RAD STROJA (ČIŠĆENJE I SUŠENJE)**

1. Pokrenite stroj prema gornjem opisu.
2. Držite sigurnosni prekidač (1) (prema načinu prikazanom na **Slika 6**), pritisnite za pomicanje stroja i započnite posao čišćenja.
3. Ako je potrebno, isključite stroj i podesite regulacijsku ručicu četke. (Pogledajte korake za upravljanje balansom četke)
4. Ako je potrebno, isključite stroj i podesite volumen protoka vode s ručkom kuglastog ventila. (Pogledajte korake reguliranja volumena protoka vode.)

**OPREZ!**

Kako biste izbjegli oštećenje poda, kada stroj stoji na jednom mjestu bez pomicanja, isključite prekidač za napajanje (38).

PRAŽNENJE SPREMNIKA

Kada je spremnik povratne otopine pun, plutajući filter u automatskom uređaju za isključivanje (36) blokira ulazni priključak za usisnu pumpu. Kroz iznenadno povećanje buke iz usisne pumpe, može se uzeti u obzir da je usisna pumpa već preopterećena i potrebno je odmah isprazniti otpadnu vodu.

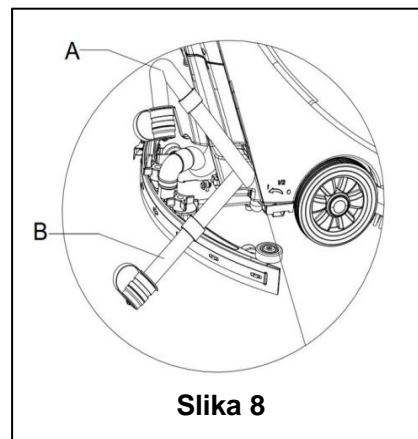
**OPREZ!**

Ako se usisni motor odjednom isključi (npr. Zbog toga što se stroj iznenada pomakne, što dovodi do aktivacije plovka) i ako je potrebno ponovno uključivanje, učinite sljedeće: pritisnite prekidač napajanja (38 i 39) da bi isključili napajanje i usisnu crpku i otvorite poklopac povratnog spremnika (25) kako biste provjerili je li plovak u plutajućem filtru vraćen na površinu vode. Zatim zatvorite poklopac spremnika (25) i pritisnite prekidač za napajanje (38 i 39) kako biste uključili napajanje i usisni motor .

Kada je povratni spremnik u potpunosti ispunjen otpadnim vodama, slijedite ove korake kako biste ga ispustili.

Pražnjenje spremnika

1. Isključite uređaj.
2. Pomoću ručice za čišćenje (14) podignite četke.
3. Premjestite stroj na određeno mjesto za odlaganje.
4. Uхватите upravljač (2) i lagano nagnite stroj unatrag sve dok kolo upravljača ne dotakne pod. (Za priključivanje stroja pogledajte postupke za zaustavljanje dijela stroja.)
5. Skinite cijev za ispuštanje iz kvačice za učvršćenje, savijte gornji kraj cijevi za pražnjenje (kako je prikazano u **A**, **Slika 8**), a zatim otvorite poklopac crijeva za pražnjenje, donju cijev za ispuštanje stavite na nisku razinu ili na tlo kako biste ispustili vodu. Alternativno, izravno postavite odvodnu cijev na niski položaj ili na tlo kako bi izlaz za vodu bio

**Slika 8**

okrenut prema dolje (kao što je prikazano na **B, Slika 8**), a zatim otvorite poklopac za odvod vode kako biste odstranili otpadne vode iz spremnika. Nakon dovršetka ispuštanja, čistom vodom očistite unutarnji povratni spremnik.

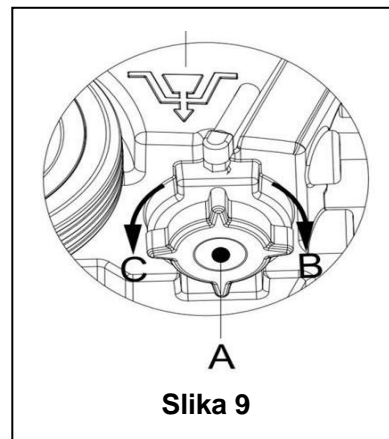


OPREZ!

Kod pražnjenja otpadne vode, usisna cijev za otpad mora biti presavijena ili spuštена na niži položaj (kao što je prikazano na **Slika 8 A ili B**), a zatim otvoriti poklopac usisne cijevi za otpad, kako bi se ispuštala voda. Nemojte izvući izlaz usisne cijevi za otpadnu vodu prema gore. To je da bi se izbjeglo prolijevanja otpadnih voda na operatera.

Pražnjenje spremnika otopine

6. Dovođite korake 1 do 4.
7. Kao što je prikazano na **Slika 9**, otvorite poklopac spremnika otopine (A) u smjeru suprotnom od kazaljke na satu u smjeru C i ispraznite spremnik otopine u potpunosti. Koristite čistu vodu za čišćenje unutrašnjosti spremnika otopine. Kad je rad dovršen, zakrenite poklopac spremnika otopine (A) u smjeru kazaljke na satu u smjeru B.



Slika 9

NAKON UPORABE STROJA

Nakon uporabe i prije odlaganja stroja, dovršite sljedeće korake:

1. Slijedite postupak opisan u gore navedenom odlomku o postavljanju i skidanju držača četkice / uloška i skinite držač četke / uloška.
2. Slijedeći postupke opisane u povezanim sekcijama, potpuno ispraznite vodu iz spremnika za otopinu i povratnog spremniku.
3. Dovođite postupke svakodnevnog održavanja (pogledajte odjeljak o održavanju).
4. Čuvajte stroj, uključujući i četku / uložak, na čistom i suhom mjestu. Nosač treba biti podignut ili skinut.

KORIŠTENJE PRVI PUT

Nakon uporabe tijekom prvih 9 sati provjerite sve dijelove kako biste bili sigurni da se tijekom rada ništa nije izgubilo ili oštetilo i provjerite ima li vidljivih oštećenja ili propuštanja.

ODRŽAVANJE I NJEGA

Životni vijek i maksimalna sigurnost rada stroja osiguravaju pravilno i pravodobno održavanje i njegu. Sljedeća tablica sadrži opći plan održavanja stroja. Vremenske intervale održavanja u velikoj su mjeri određene radnim uvjetima stroja. Ove vremenske intervale treba formulirati od strane osoblja odgovornog za održavanje.



UPOZORENJE!

Tek nakon što se napajanje stroja isključi, treba provesti ove postupke. Prije nastavljanja bilo kojeg od postupaka održavanja, pažljivo proučite odgovarajuće sigurnosne odjeljke.

Sva održavanja u planu ili sva dodatna održavanja mora obavljati kvalificirano osoblje ili ovlaštene servisni centri.

Ovaj priručnik odnosi se samo na najjednostavnije i najčešće postupke održavanja.

Za sve postupke održavanja koji nisu navedeni u ovoj tablici planiranog održavanja, molimo pogledajte priručnik za održavanje servisnog centra.

TABELA RASPOREDA ODRŽAVANJA

Postupak	Svakodnevo, Stroj nakon uporabe	Tjedni	Svakih 6 mjeseci	svake godine
Očistite četku				
Očistite nosač četke / uloška				
Očistite spremnik za vodu i filter za plovak, pregledajte brtvene trake spremnika za vodu				
Pregledajte i promijenite traku za ispiranje				
Čistiti filter otopine				
Očistite filter usisnog motora				
Pregledajte zategnutost matica i vijaka			(1)	
Pregledajte ili promijenite četkicu motora držača četke / uloška				(2)
Pregledajte ili promijenite ugljenečetkice usisnog motora				(2)

(1) To treba obaviti 9 sati nakon što stroj počne raditi.

(2) Ove procedure održavanja mora obaviti ovlašteni VIPER servisni centar.

ČIŠĆENJE ČETKE

**BILJEŠKA**

Kako bi se održao optimalni učinak usisa vode, četka mora biti čista, a traka za točenje mora ostati u dobrom stanju.

**OPREZ!**

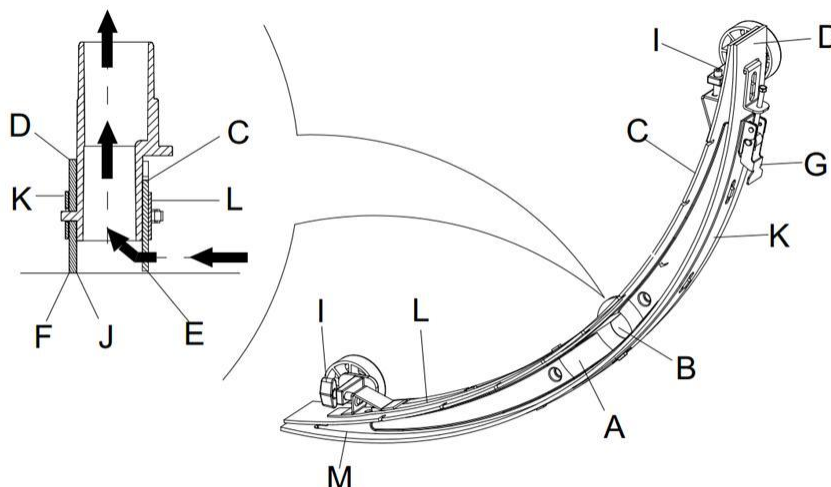
Pri čišćenju četke preporučljivo je staviti zaštitne rukavice jer četka može sadržavati oštre predmete.

1. Premjestite stroj na ravnu i glatku površinu.
2. Pritisnite prekidač napajanja (38) u položaj "O" za isključivanje stroja.
3. Odvijte fiksnu ručku (16) četke; skinite konektor koji spaja usisnu cijev za vraćanje i skinite je.
4. Pomoću ručice za podizanje (14) za dizanje podignite okvir za podizanje usisa.
5. Očistite ga (**Slika 10**). Očistite posebno žlijeb (**A, Slika 10**) i prljavštinu i ulomke na usisnoj cijevi. Provjerite jesu li prednje (C) i stražnje štikaljke (D) neoštećene, i da li su oštećeni rubovi i postoje li pukotine. Ako je potrebno, promijenite ih (pogledajte korake u sljedećem odjeljku).
6. Ponovno postavite četku u obrnutom redoslijedu gore navedenog.

PROVJERAVANJE I ZAMJENA NOSAČA ČETKE

1. Sljedeći metode vezane uz prethodni odjeljak, očistite ga (**Slika 10**)
2. Provjerite rub (E, **Slika 10**) prednjeg i (F) stražnjeg nosača (D). U cijeloj dužini, oni bi trebali biti na istoj razini. Inače, prilagodite njihove visine kroz sljedeći postupak.
 - Otpustite kvačicu (G) kako biste odvojili stražnji nosač (D) od četke (M) za podešavanje položaja stezaljke. Nakon podešavanja ponovno učvrstite isječak.
 - Otpustite vijak na ručici (I) za podešavanje prednjeg nosača (C); zategnite vijak ručice nakon podešavanja.
3. Provjerite jesu li prednje (C) i stražnje štikaljke (D) neoštećene, i da li su oštećeni rubovi i postoje li pukotine. Ako je potrebno, promijenite ih na sljedeći način. Provjerite je li prednji rub stražnjeg nosača (J) istrošen. Ako je istrošen, može se postaviti naopako (gornji rub mora biti netaknut). Ako se gornji rub također istrošen, promijenite ga postupkom u nastavku:
 - Otpustite kvačicu (G) kako biste nosač odvojili od četke (M), skinite traku (K) i zatim promijenite ili zakrenite stražnji nosač (D) naopako. Ponovno postavite stražnji nosač obrnutim redoslijedom skidanja.
 - Otpustite vijak ručke (I) i skinite prednju šipku (L), a zatim promijenite prednju četku (C). Ponovno postavite prednji nosač obrnutim redoslijedom skidanja. Nakon mijenjanja nosača četke (ili postavljanja naopako), prilagodite razinu prednjih i stražnjih nosača u gore opisanim postupcima.

4. Spojite usisnu cijev (11) na četku.
5. Ugradite četku i koristite gumb (16) da ga zategnete, a zatim spojite usisnu cijev.
6. Ako je potrebno, podesite četku kroz ručicu za podešavanje (20) (pogledajte postupke za podešavanje ravnoteže četke).



Slika 10

ČIŠĆENJE ČETKE / ULOŠKA



OPREZ!

Pri čišćenju držača četke / uloška, preporučuje se nošenje zaštitnih rukavica jer mogu sadržavati oštre predmete.

1. Na način koji je povezan s prethodnim odjeljcima, skinite držač četke / uloška.
2. Uporabom vode i deterdženata, očistite držač četke / uloška.
3. Provjerite potpunost i stanje habanja čekinja na četki i, ako je potrebno, promijenite četku.
4. Provjerite stanje habanja držača podloge i po potrebi promijenite držač podloge.

ČIŠĆENJE SPREMNIKA VODE I NOSAČA FILTRA

1. Premjestite stroj na predviđeno mjesto.
2. Pritisnite prekidač napajanja (38) na položaj "O" za isključivanje stroja.
3. Otvorite poklopac povratnog spremnika (A, Slika 11) i skinite uređaj za plovak (36).
4. Koristite čistu vodu za čišćenje poklopca spremnika (A), spremnika (B i C) i nosača filtra za plovak (E). Putem povratne cijevi (15), odvodite svu vodu iz spremnika za vodu.
5. Po potrebi, slijedeći simbole "Otvoreno" i "Zatvoreno" kao što je prikazano na Slika 11, otvorite donji poklopac (F) plutajućeg filtra i očistite ga (D), kao i nosač plutajućeg filtra (E) i filtersku spužvu (I). Nakon čišćenja, učvrstite plovak na okvir potpornja filtera za plovak (E) i zatim poravnajte žlijeb za oznake (L) donjeg poklopca (F) plutajućeg filtra s utorom za oznake (L) E. Okrenite poklopac donjeg (F) plutajućeg filtra i pričvrstite filtersku spužvu (I) na okvir nosača (E), a zatim na usisnu cijev (M).
6. Provjerite čvrstoću brtvenog prstena (G) poklopca spremnika vode.

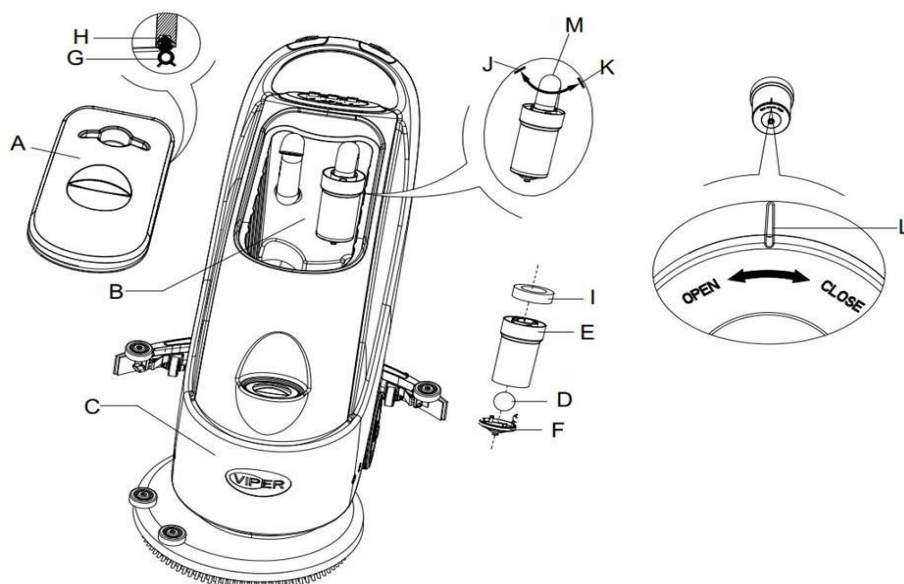


BILJEŠKA

Brtvena traka (G) spremnika za vodu čini da spremnik za vodu stvara vakuum. Mora biti potpuno zabrtvljen kako bi mogao učinkovito usisati otpadnu vodu s poda.

Ako je potrebno, brtvena traka spremnika za vodu (G) može se izvaditi iz utora (H) i mijenjati. Prilikom montaže nove brtvene trake spremnika za vodu, kao što je prikazano na **Slika 11**, postavite priključak na srednji dio stražnjeg dijela.

7. Provjerite je li prihvatna površina brtvene trake (G) netaknuta i brtvi na odgovarajući način.
8. Zatvorite poklopac povratnog spremnika (A).



Slika 11

ČIŠĆENJE FILTRA OTOPINE

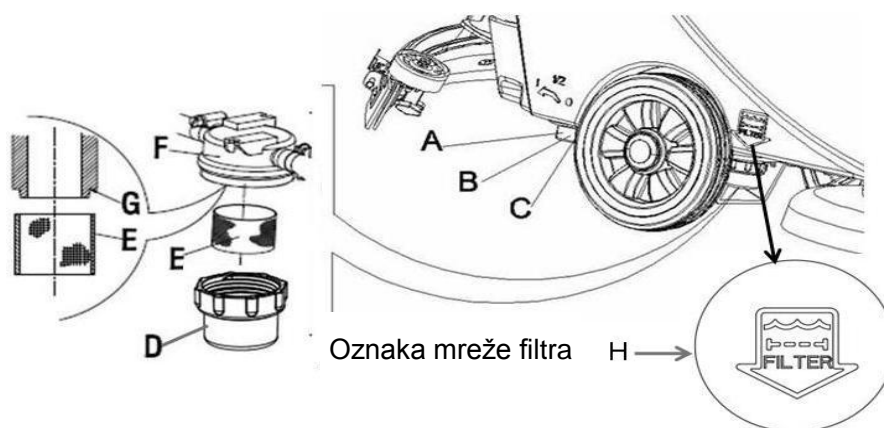
1. Ispustite svu vodu iz spremnika otopine na način kako je navedeno u srodnim odjeljcima.
2. Premjestite stroj na ravnu i glatku površinu.
3. Pritisnite prekidač napajanja (38) u položaj "O" za isključivanje stroja.
4. Isključite ispusni kuglasti ventil (A, Slika 12) (nalazi se na dnu stroja, iza kotača). Pozicijski kuglasti ventil B otvoren i C zatvoren.
5. Skinite prozirni poklopac (D), a zatim skinite filter (E) i nakon čišćenja postavite ih na filternu kutiju (F).



BILJEŠKA

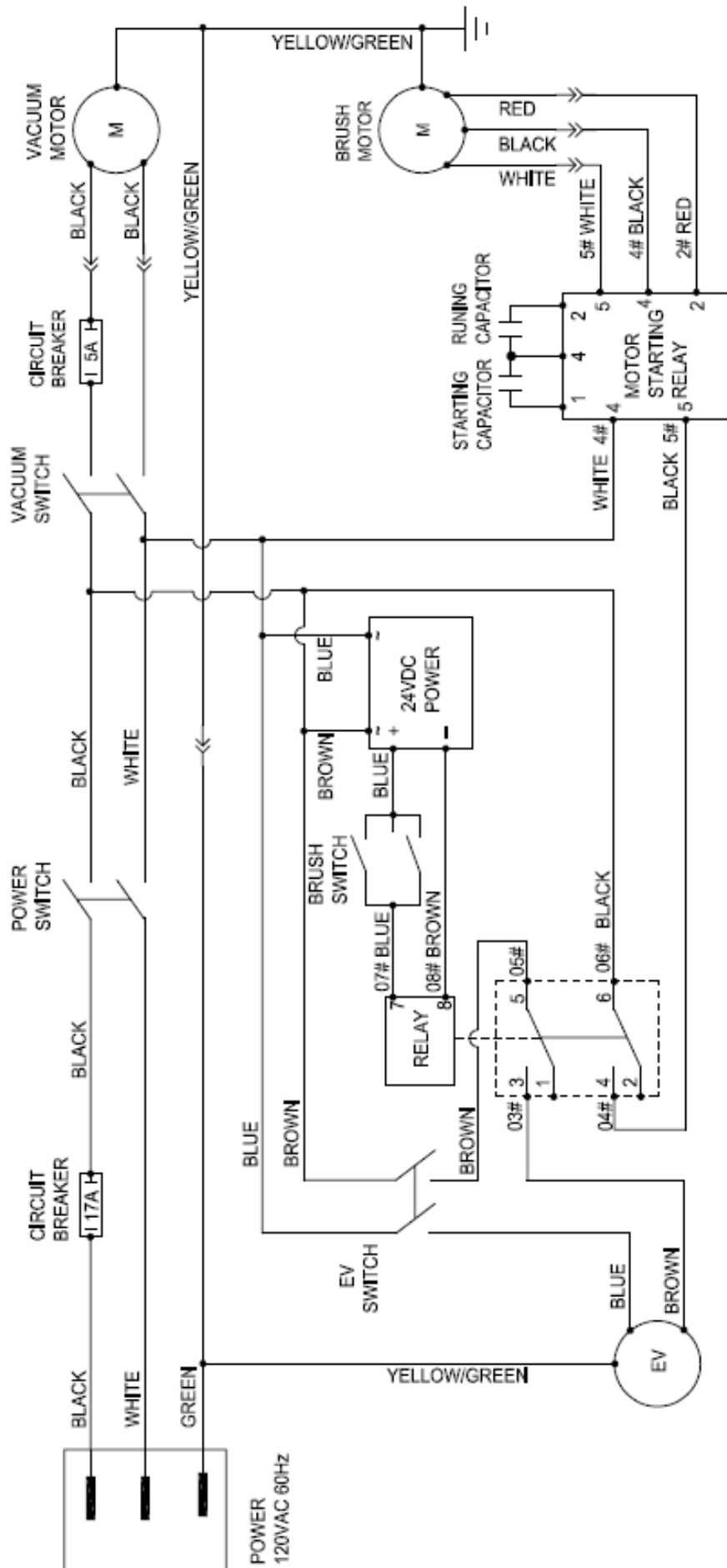
Filter (E) se mora točno postaviti na položaj izbočine (G).

6. Otvorite kuglasti ventil za pražnjenje (A).



Slika 12

SKICA AS430C I AS510C



RJEŠAVANJE PROBLEMA

Kvar	Mogući uzroci	Pomoć
Stroj ne radi:	Ožičenje nije ispravno spojeno ili loše ožičenje	Provjerite ožičenje ili kontaktirajte distributera Vipera
	Loše četkice motora	Kontaktirajte distributera Vipera
	Ugljene četkice istrošene	Kontaktirajte distributera Vipera
Usisni motor ne radi	Ožičenje nije ispravno spojeno ili loše ožičenje	Provjerite ožičenje ili kontaktirajte distributera Vipera
	Loš usisni motor	Kontaktirajte distributera Vipera
	Ugljene četkice istrošene	Kontaktirajte distributera Vipera
Malo ili nimalo protoka otopine	Loš kuglasti ventil	Kontaktirajte distributera Vipera
	Loš ventil otopine	Kontaktirajte distributera Vipera
	Potrebno podešavanje kuglastog ventila	Kada je kuglasti ventil u vodoravnom položaju, količina protoka otopine je maksimalna
	Filtar je prljav.	Očistite filtara
Neodgovarajući vakuum	Povratni spremnik je pun.	Ispustite spremnik za vodu
	Usisna cijev nije ispravno spojena	Spojite usisnu cijev sa spremnikom i četkom
	Plutajući filtara je blokiran ili je ulaz blokiran	Očistite plutajući filtara, provjerite plutajuću kuglu
	Četka je prljava ili je nosač četke pohaban i oštećen	Očistite i provjerite četku
	Poklopac posuda za povratnog spremnika nije pravilno priključen ili je brtvena traka spremnika za vodu oštećena	Ponovno namjestite poklopac ili zamijenite brtvenu traku spremnika za vodu
Količina čiste vode za četku nije dovoljna	Filtara je prljav.	Očistite filtara
Četka ostavlja tragove	Otpaci poput ulomaka su ispod nosača četke	Uklonite ulomke
	Nosač četke je već pohaban, napuknut, lomljiv.	Promijenite nosač četke
	Ravnoteža četke nije prilagođena	Prilagodite ravnotežu

ODLAGANJE STROJA

Koristite odgovarajući stroj za drobljenje kako biste uništili ovaj stroj.

Prije uništavanja ovog stroja odnesite i odvojite sljedeće materijale koji, sukladno srodnim zakonima i propisima, moraju biti pravilno obrađeni.

- Baterija
- Plastična crijeva i plastične komponente
- Električne i elektroničke komponente (*)

(*): Obratite se najbližem VIPER centru (osobito ako je potrebno odstraniti električne i elektroničke komponente).



Company information:
www.vipercleaning.eu
info-eu@vipercleaning.com