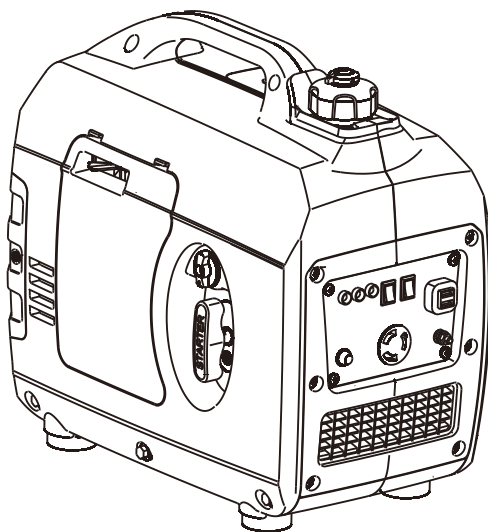


INVERTER GENERATOR OPERATIONAL MANUAL

1200i




It contains how to use generator set in proper way, please read the operational manual before use it. Safe & proper operation help the generator set in normal running and prolongs its life span.

The issuing of technical data and drawings in this operational manual are all in accordance with the newest products. For revision or other changes, the content of this operational manual may be a little difference with actual situation. We reserve the right to revise the operational manual in any time and without notice. Thanks for understanding.

The ownership of this operational manual belong to our company, anyone without permission in; written form is not allowed to issue copy Or you will be prosecuted.

The operational manual is the permanent part of generator set. If the generator be resold, the operational manual should be attached with together.

SAFETY WARNING

For the safety of both you and others. Please carefully read those extremely important safety signs which are listed as blow with sign  both on the operational manual and generator set.



It may cause enormous injury if not follow as instruction.



It may cause serious injury if not follow as instruction.



It may cause injury if not follow as instruction.



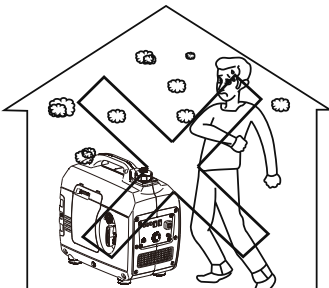
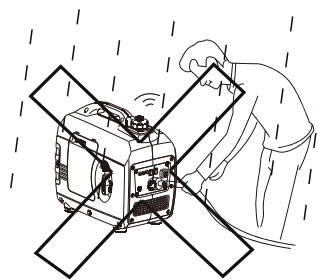
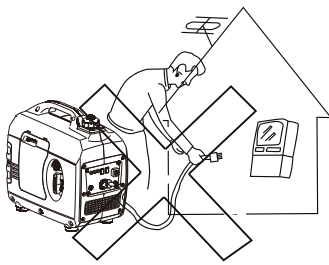
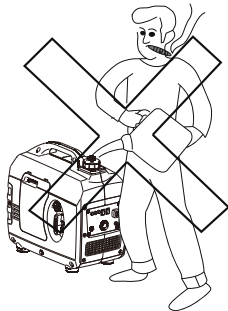
If not follow as instruction. Not only your generator set may get damage, but also your other properties.

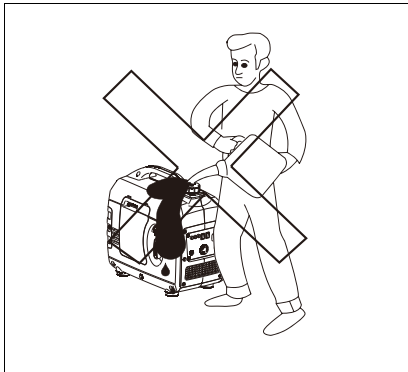
Content

1.Safety Insruction.....	4
2.Component Identification.....	7
1)Control Panel.....	7
3.Operation and Control System.....	8
1)Generator Switch.....	8
2)Oil Indicator(in red).....	8
3)Overloaded Indicator(in red).....	8
4)AC Indicator(in green).....	9
5)DC Protector.....	9
6)ECO Switch.....	9
7)Fuel Tank Cap.....	10
8)Grounding Terminal.....	10
4.Start Generator.....	10
5.Stop The Generator.....	11
6.Use Generator.....	11
1)Generator Operating Environment.....	11
2)Generator Wire Connection.....	12
3)Generator Grounding.....	13
4)AC.....	13
5)12V DC.....	15
6)Uaed in High Altitude Area.....	15
7.Check Before Operation.....	16
1)Oil.....	16
2)Fuel.....	16
8.Start Engine And Connect The Load.....	17
1) Starting Engine.....	17
2) Connected To The Load.....	17
3) Overload Processing.....	18
9.Maintenance.....	18
1)Oil Change.....	19
2) Air Cleaner Mmaintenance.....	20
3) Spark Plug.....	20
4) Fuel Tank Filter.....	21
5) Muffler.....	21
10.Storage And Transportation.....	22
1) Emptying Fuel.....	22
2) Generator Transportation.....	22
11.Trouble Shooting.....	23
12.Circuit Diagram.....	24
13. Parameter.....	25

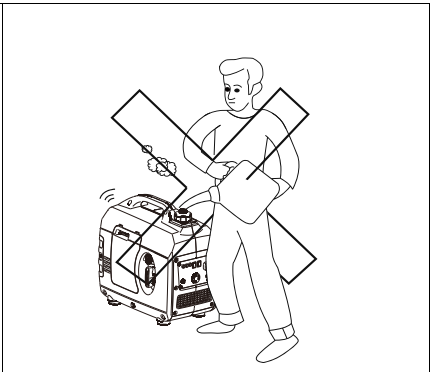
1.Safety Instruction

Please read & understand the operational manual before use, be familiar with safe operational procedure of generator set helping you to avoid accident. The operational manual should be saved or transferred with generator set permanently.

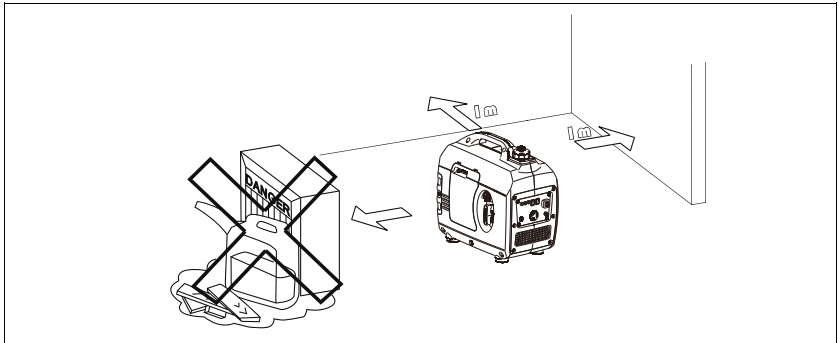
	
<p>1) Don't run generator set in an enclosed place. Exhaust of generator set may cause coma or die in a very short time. Please use the machine at a well-ventilation place.</p>	<p>2) Don't run machine in a wet environment.</p>
	
<p>3) Don't connect generator set with the municipal grid directly.</p>	<p>4) Don't smoke or close to flame when infuse fuel to generator set.</p>



5) Be careful, don't get the fuel spilled.



6) Please stop engine before infusing fuel.

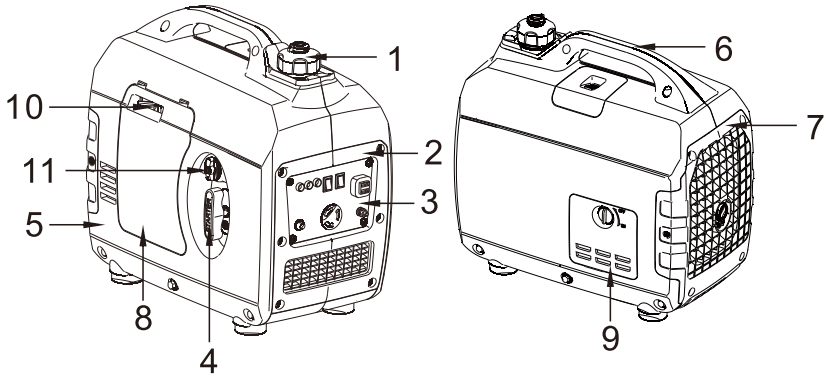


7) Please keep inflammable away from generator set for at least 1 meter.

NOTICE

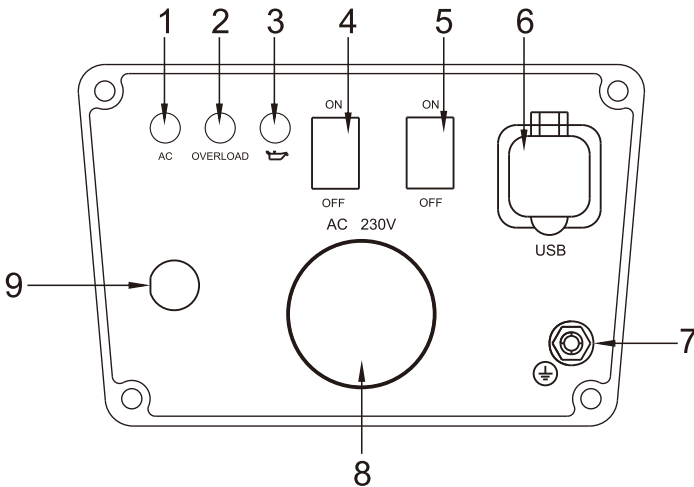
- Be sure that anyone who operates the generator has been technically trained.
- When anyone drinks fuel, breathes fuel exhaust or gets exhaust into eyes carelessly, please seek medical advice immediately.
- When the fuel splashes on the skin or clothing, please change clothes and clean the skin.
- Keep the generator upright when operating or moving. When it is tilted, fuel will be spilled from the carburetor or fuel tank. It may ignite and is very dangerous.
- The engine and muffler become very hot during operation and remain hot for a while after stopping the engine. Be careful not to touch the muffler and engine when it is hot.
- Keep the generator away from passers-by and children.
- Do not put any flammable materials around the exhaust vent of generator when operating.
- Keep the generator at least 1 meter (3 feet) away from buildings and other equipment. Otherwise, the generator will get overheated.
- Do not enclose the generator with dust cover when operating.
- Prevent electric shock.
- Do not touch generator with wet hands to prevent electric shock.
- Keep ground electrode connected.

2.Component Identification



1.Fuel tank cap	2.Control panel base	3.Control panel	4.Recoil starter grip	5.Left shell	6.Handle
7.Muffler cover plate	8.Appearance cover plate	9.Engine oil cover plate	10. Choke valve	11.Oil switch	

1) Control Panel



1.Running light	2.Overload light	3.Engine oil lamp	4.Engine switch	5.Idle switch
6.USB socket	7.Grounding bolt	8.AC socket	9.Self recovery button	

3. Operation and Control System

1) Generator Switch

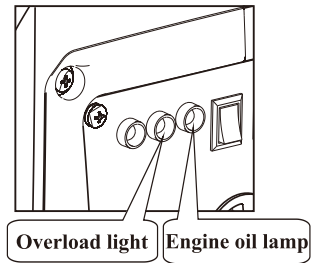
The generator starts when the engine oil switch and flameout switch are on and the choke is off.

NOTICE: When the engine is in a warm state, there is no need to close the choke rod switch.

2) Oil Indicator (in red)

When the oil in the crankcase is below the safety line, the oil protection system will automatically shut down the engine, and the oil alarm indicator will be on; only when the oil is filled to the oil level can the engine be started again.

Tip: if the engine stops or fails to start, press the switch to the "on" position, and then pull the start handle. If the oil indicator flashes for a few seconds, the oil capacity is insufficient. Fill in oil and restart.



3) Overloaded Indicator (in red)

When the overload light is on, the generator detects that the output of the connected electrical equipment has been overloaded, which causes the inverter to overheat or the AC current to increase. At this time, the AC protector works and stops the generator to protect the generator and the connected electrical equipment. The AC indicator (green) is off and the overload indicator (red) is on, but the engine will not stop.

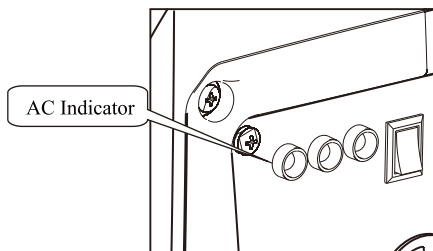
When the overload indicator is on and the unit has no output, please take the following measures:

1. Turn off the switch of the connected electrical equipment or pull out the plug.
2. Press the self recovery reset button on the panel, and the operation indicator on the panel turns green.
3. Reduce the load power of electrical equipment ≤ 1.1 times the rated output power.
4. Press the idle switch to "off".
5. Turn on the power switch or plug in the power plug.

Tip: when using the electrical equipment with high starting current (such as compressor, submersible pump, etc), the overload indicator light is just started It may light up for a few seconds, but this is not the fault mentioned earlier.

4) AC Indicator (in green)

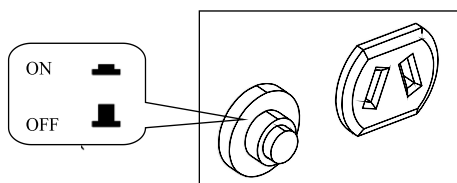
When the engine is normally working and with normal output, the AC indicator will light up.



5) DC Protector

When the equipment connected with generator DC is running, if the current exceeds the rated current, the DC electric switch will be on the "OFF" position. Pls press the switch button to the " ON " position when restarting the generator.

- (1) "ON"DC with normal output.
- (2) "OFF"DC without output.



NOTICE

When the DC protector is in a closed state, please low down the load of the equipment connected to the generator within the range of rated output. If the DC protector is still in the closed state, please stop to use the equipment and contact the dealer

6) ECO Switch

- (1) "ON"

When the economical switch is in the 'ON' position, the energy-saving equipment will control the rotating speed of the engine according the loading of the generator. In this case, the generator could get economical consumption of fuel and lower noise.

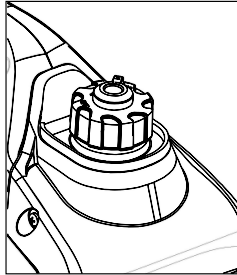
- (2) "OFF"

When the economical switch is in the "OFF" position, the engine works at the speed of 4350 r/min whether it is connected with other equipment or not.

NOTICE: When the equipment with high starting current such as compressor, immersible pump, is used on the generator, the economical switch must be in the "OFF" position.

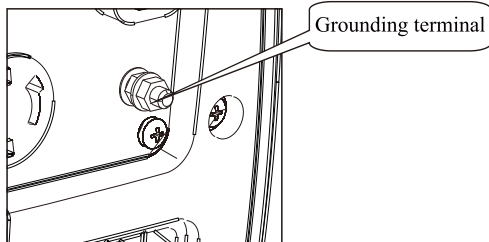
7) Fuel Tank Cap

Turn counter clockwise to remove the tank cap.



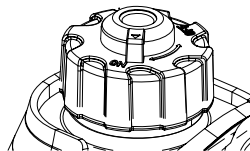
8) Grounding Terminal

When the ground terminal is connected to the ground wire, to prevent electric shock. When the electrical equipment is grounded, the generator must be grounded.



4.Start Generator

- 1) Turn the flameout switch to "ON"
- 2) Turn the fuel tank cap knob to "ON"



- 3) a.Open the fuel
b.Choke closed

Notice : If start generator when the engine is hot , do not close choke .

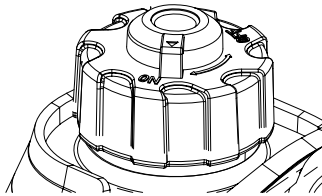
- 4) Stabilize the generator and pull the handle outward to make the generator run.
- 5) Turn the choke to “ON” to the left.

Notice: when pulling the hand starter, grasp the handling handle of the generator to prevent the generator from overturning.

5. Stop The Generator

Notice: Stop all the electric equipment before stop the generator

- 1) Turn the flameout switch to “OFF”.
- 2) Stop all the electric equipment.
- 3) Put the cap ventilate button to “OFF” position when the generator totally cold.



6. Use Generator

NOTICE

● Assembled and regular operation should be operated by professional person .

1) Generator Operating Environment

Applicable temperature : $-15^{\circ}\text{C} \sim 40^{\circ}\text{C}$.

Applicable humidness: below 95%.

Applicable altitude : Below 1000 meters(Above 1000meter, the power will be lower)

The condition to output rated power

- environment temperature T_r : 298k (25°C)
- RH, Φ_r : 30%
- Absolute atmosphere, P_r : 100kPa

When the actual environment conditions do not agree with the conditions of generator's output power :

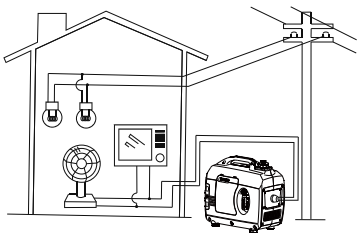
- Every 5°C ambient temperature might make the engine power decrease about 2%
- RH increase 30% might make the engine power decrease about 1.5%
- The altitude increase every 300 meter might make the engine power decrease about 4.5%

2)Generator Wire Connection

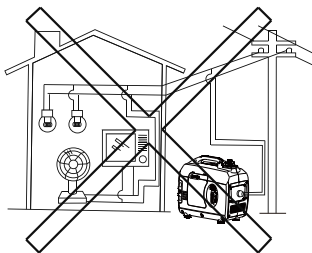
NOTICE

- When connect the generator to family power to used as standby power, it should be operated by professional person.
- Please make sure the equipments are connected to the generator correctly. Wrong connection can cause generator damage , burn or fire.
- Avoid connect the generator to commercial power.
- Avoid connect the generator to other generators.

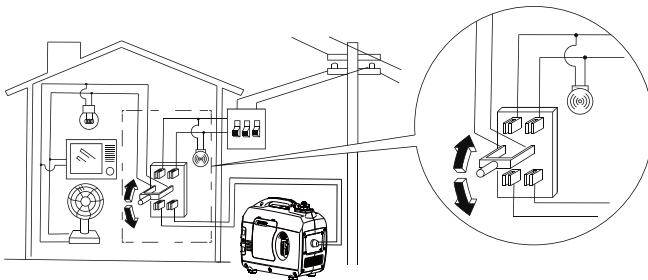
○ OK



× ON



○ OK



Using tips: lengthen the cable

- Do not more than its length , when lengthen the cable
 - ① Cross cut area of 60 meters is 1.5mm^2
 - ② Cross cut area of 100 meters is 2.5mm^2
- Extension cord appearance should use a layer of tough and resilient rubber cover (IEC25) or other substitute for protection.

3)Generator Grounding

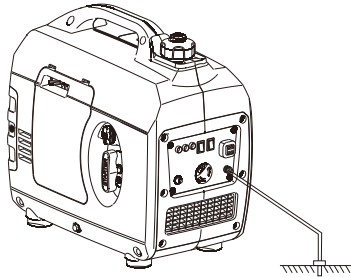
In order to prevent poor equipment be shocked or electrical error, use good conductor with insulation skin connect the generator grounding

- ① Make use the ground wire is with enough electric flux.

Diameter of ground Wire

Ground Wire Diameter:0.12mm(0.005inches)/Ampere Range:10 Ampere→1.2mm (0.05inches)
--

- ② Connect the ground wire to the grounding terminal on the control panel
- ③ Insert the grounding body (5-10mm diameter rods) into the earth below 20mm and with wire guide line(insertion site should not be dry ground)
- ④ Connect the other end of ground wire to the guide line

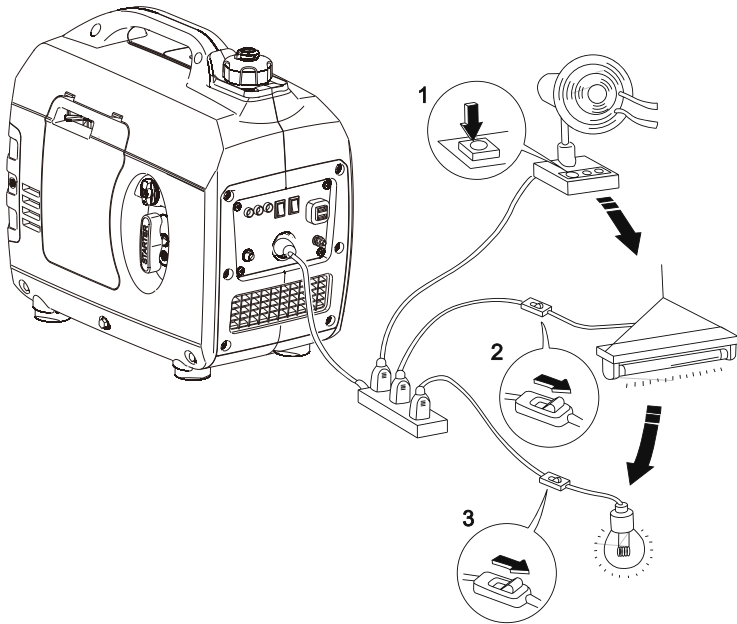


4) AC




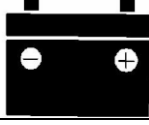
Before starting the generator, it should be confirmed that the total power of load electrical appliances should not exceed the rated power of the generator.

NOTICE

- Overload working will shorten the generator life .
- If there are several loads or equipments connected on the generator at the same time, make sure firstly start the equipment that with highest starting current, then middle one, finally to the lowest starting current one.
- When using power electrical equipment above 800W, the energy saving switch should be pressed to OFF.



In general, capacitive and inductive load , especially the equipment that driven by motor will cause large starting current when it is started. This will need more power from generator . The following equipments are for your reference.

AC				DC
POWER FACTOR	1	0.8~0.95	0.4~0.75 (ratio 0.85)	
1200i	≤1000W	≤800W	≤350W	Rated voltage 12V

Notice : AC and DC can used together, but the total power can not over the generator rated power. The overload light will be light if generator is overload .

Notice : Make sure do not operate the generator overload. Overload working will damage the alternator.

When the equipment are precision instrument , electronic controller, personal computer, microcomputer, etc., Please make sure there is enough distance between these equipment and generator , to avoid electromagnetic interference. At the same time, it can make sure generator is not disturbed by other equipment.

If supply power for medical equipment , it is recommended to firstly consult equipment supplier , professionals or hospital .

It will need large current when some kind of electronic instrument or general alternator start, it may not work, even if the starting parameter meet the description as above. Please contact and consult with equipment supplier.

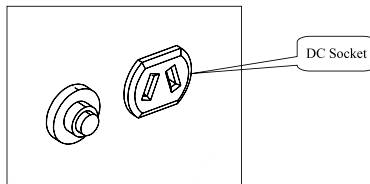
5) 12V DC

DC socket

DC socket is used for DC low power equipment or charge for battery. Right is positive pole. Left is negative pole.

How to connect DC equipment.

- 1) Connect the socket positive pole to the equipment positive pole and socket negative pole to equipment negative pole.
- 2) Insert the DC cable plug into the generator 12V DC socket.



DC circuit breaker protector

If overload or parallel in a wrong way, it may cause DC overload. At this condition , DC circuit breaker protector will cut off automatically to protect generator and equipment. When the circuit breaker inner indicator raise up , it means DC circuit breaker place in “ OFF” position. Several minutes after clearing of fault, the DC circuit breaker can reset.

6)Used in High Altitude Area

In high altitude area, the normal carburetor will make the engine with over rich mixed gas, decrease the output power and increase the fuel consumption rate. Assemble small diameter main jet in the carburetor and readjust screw which can control the fuel , it can improve the performance of generator in high altitude area.

If you often use generator in high altitude (above 1000 meter), you can replace the carburetor in dealer . Otherwise, the generator power will be decreased.

Even if with the correct carburetor, the altitude increase every 300 meter, the generator power will be decreased about 4.5%. If without correct carburetor, the decrease will be more .

NOTICE

- If the carburetor which is suitable for high altitude be assembled on the generator that is used in low altitude, the rare mixed gas will make the generator power down, too hot or serious damage.

7. Check Before Operation

1) Oil

NOTICE

- Every time before use, please put the generator on the flat ground, check oil level when the engine stop running.
- Oil is one of the important factors affecting the life span and output power of engine. Don't use unclean oil or two-stroke engine oil. This will damage the engine.

Recommended oil

Four stroke engine Oil

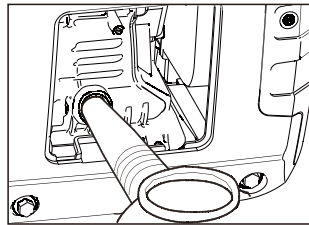
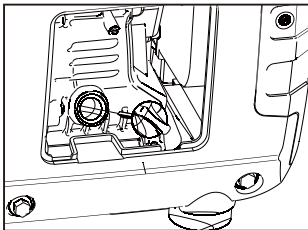
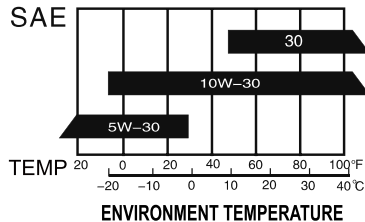
API classification of SE,SF,

or SAE 10W-30 with SG level.

More than 35°C (95°F) : Use oil SAE#40.

Check the oil level of oil method:

- (1) Remove the oil gauge, and clean.
- (2) Insert the oil gauge, in the condition of not tighten, check the oil level.
- (3) If the oil level is too low, add oil to the upper limit of oil level.
- (4) After add oil, remember to pack and tighten the oil gauge.

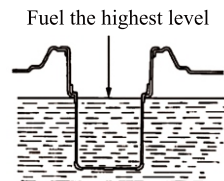


NOTICE

- The generator is not injected oil by factory during transportation. User after buying this generator, please inject oil. Otherwise it will not be able to start.

2) Fuel

- (1) Unscrew the fuel tank cover, check the oil mark on the fuel oil level.
- (2) If the oil level is too low, refueling to filter red oil standard.
- (3) After fueling, installed and tighten the cap.



⚠️ WARN

- Must be after engine stop, in a well-ventilated place for refueling. Remember : No Smoking or Fireworks.
 - Do not make fuel overflow.
 - Avoid fuel for many times and long time contact with skin, or inhaled fuel vapors.
 - Keep children away with fuel.
 - It is forbidden to use a mixture of oil and petrol or gasoline containing impurities.
- Be sure to spread any leaking will be cleaned immediately.

Please use the gasoline octane rating of 90 or more.

We recommend use unleaded gasoline, it make the engine and the spark plug less carbon deposition, and extend the life of the exhaust system.

Please do not use older or contaminated or oil mixed with gasoline. Please pay attention to avoid dust or water into the fuel tank.

8.Start Engine And Connect The Load

1) Starting Engine

- (1) Pull the plug (do not connected to any power equipment before starting the engine).
- (2) Remove all the load.
- (3) Open the fuel switch.
- (4) Turn the choke handle to the right to the “close” position.

NOTICE

- When the engine starting under heating, please do not close the choke.
- (5) Put the engine switch at “ON” position.
 - (6) Put the fuel efficient switch at the “ OFF” position.
 - (7) Pull the starting handle until feel resistance, quickly pull out again.

⚠️ WARN

- When the engine starting to run, the exhaust port of muffler become very hot. Be sure to pay attention to avoid touching any part of body and clothing with muffler exhaust port.

2) Connected To The Load

NOTICE

- Before connected to the generator to ensure that all electrical equipment, including wire connections and plug connection is in good condition.
 - All electrical equipment shall be disconnected before the insert plug.
 - Noticed generator load current must be within the scope of the socket rated current.
- (1) Make the power supply wire winding 2 to 3 rounds in a border, and fastened.
 - (2) Insert the plug into the AC socket.
 - (3) Ensure the AC indicator is working.
 - (4) Put the fuel efficient switch in the “ON” position, and connect all electrical equipment.

NOTICE

- When using electrical equipment that needs large starting current, such as inductive and capacitive loads, the fuel saving switch must be set in “off” position;

3) Overload Processing

When the equipment overload, the inverter control unit will overheat (or AC output current increases), overload indicator working. In order to protect generator and connected equipment, the circuit breaker will start to stop the output power. AC indicator light will be turn off, and overload indicator (red) will keep on. But the engine won't stop running.

When the overload indicator start to work, and generator stop electricity, according to the following steps.

- (1) Turn off all the connections of electrical equipment.
- (2) To adjust the total power of the connected electrical equipment within reasonable scope.
- (3) Checking the cooling air inlet and control unit around is blocked or not, if there is plugged, please be clear.
- (4) Hold down the reset button 1 to 3 seconds after the inspection, or restart the engine, and then generator will be output to alternating current again.

NOTICE

- After the engine stop and restart, the generator AC will be automatically reset, and the output alternating current (AC).
 - When using large starting current of electrical equipment, such as compressor or submersible pump, the overload indicator will be working a few seconds at first, but this is not a fault.
- 4) Turn off the engine
 - (1) Close all electric equipment.

NOTICE

- Can't pull out the plug, avoid to any hurt by the electric arc.
 - (2) Put fuel efficient switch in "OFF" position.
 - (3) Turn off the engine switch.
 - (4) Closed fuel on-off button.

NOTICE

- If you need emergency stop engine, please put engine switch in the "OFF" position.

9. Maintenance

Taking good maintenance is best guarantee to zero fault operation. It also helps the environment.

WARN

- Engine exhaust with toxic carbon monoxide, please turn off the engine before maintenance.
- If you must make the maintenance when the engine working, it is important to ensure that the working area with well ventilated.
- During engine working, the muffler gets very hot. Pay attention to avoid any part of body or clothing touch with engine and muffler before the engine become cooling.

NOTICE

- Maintenance should be performed by trained person.

Regular preventive maintenance can guarantee the generator is in good condition. The maintenance schedule is as following:

Regular maintenance schedule		Using time	20 hours or the first month of new model (3)	50 hours or per 3 months (3)	100 hours or per 6 months (3)	300 hour or per year (3)
Oil	Check oil level	○				
	Change		○		○	
Air cleaner	Check	○				
	Clean			○ (1)		
Spark collector	Clean			○		
Spark plug	Clean				○	Change
Valve clearance	Adjust					○ (2)
Cylinder cover	Clean	Per 300 hours (2)				
Fuel tank and filter	Clean	Every 2 years (2)				
Oil tube	Change	Every 2 years (2)				
Cylinder head、Piston	Remove carbon	Displacement<225cc, every 125 hours				
The product should be maintenance by the company authorized dealers, unless the user has the professional tools and maintenance ability.						

- (1) Please maintain often under dust environment working.
- (2) These maintenance process should be made by authorized dealer.
- (3) In frequent using, please accord maintenance schedule to the products to ensure the generator long life use.

⚠️ WARN

- Incorrect maintenance or operation is not corrected which will lead to harmful of failure.
- Please follow the instructions suggest regular inspection, maintenance on time.

1)Oil Change

Put the oil after engine warm-up, ensure drain the oil fast and clean.

- (1) Put a basin under the engine, remove the oil gauge and oil discharge.
- (2) Filling oil and checking the oil level. Engine oil capacity: 0.33 liters.

NOTICE

- Skin long -term and regular exposure to oil may cause skin cancer. Although this is not necessarily necessary, it is recommended to use soap and water to wash the skin immediately and thoroughly. From an environmental point of view, please deal with the waste oil produced after use. We strongly recommend that you put the waste oil into a sealed container and send it to a local service station or a waste oil recycling center. Remember: do not thrown into the garbage or dumped on the ground, ditch.

2) Air Cleaner Maintenance

The air filter will affect the air flow into the carburetor. In order to prevent carburetor failure, regular maintenance of air filter. If to use in the dusty environment, it should be more frequent maintenance.

⚠️ WARN

- The use of gasoline or flammable solvents to clean the filter may cause fire or explosion. Please use soapy water or nonflammable solvents.

- Strictly forbid to start generator without installing air cleaner. Otherwise the engine is rapidly abraded.

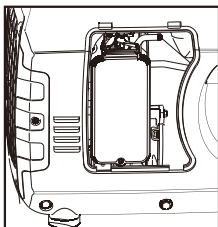
① Remove the button of the air filter cover and open the air filter cover. Check the filter element of air filter to ensure it is in good condition and clean.

② If the foam filter is dirty, please clean the foam filter core:

Clean and dry the filter element with solvent, drop a few drops of engine oil and squeeze it clean.

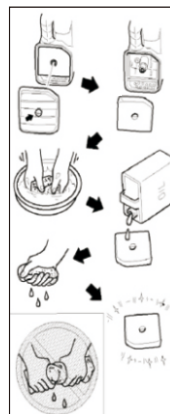
⚠️ WARN

Do not use solvents near smoking or near the flame.



The filter should be wet, but should not drip oil.

We recommend the filter oil: Sponge Air Filter Oil or SAE # 20 Motor Oil.



⚠️ CAUTION

- Do not twist the sponge, because it will make it damaged.
- Install the filter element and cover the filter cover.

⚠️ WARN

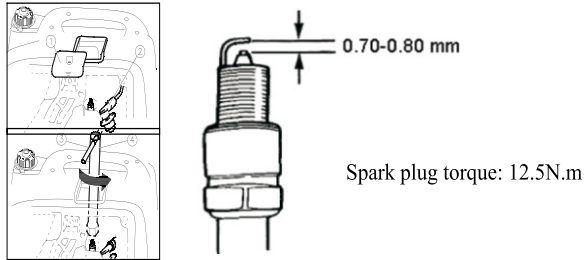
Don't start engine without installing air cleaner. Because it will produce excessive gas and make the cylinder wear.

3) Spark Plug

Recommended spark plug Model: A5RTC

- ① Remove the spark plug cap
- ② Clean the spark plug base
- ③ Use a spark plug socket wrench to remove the spark plug
- ④ Visual inspection of spark plug electrodes and insulators if is damaged. Replace the new spark plug if damaged.
- ⑤ Measure the spark plug clearance with a gap gauge. The clearance should be guaranteed between 0.70-0.80mm.
- ⑥ Check that the washer of the spark plug is in good condition.

- ⑦ Install the spark plug and tighten and tighten the spark plug washer with a spark plug socket wrench. Cover the spark plug cap.

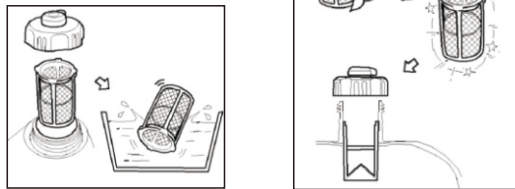


Caution: Please use the appropriate calorie spark plug.

4) Fuel Tank Filter

- ① Remove the fuel tank cover and filter
- ② Clean the filter with solvent. Please replace if damaged
- ③ Wipe the filter and insert it into the fuel tank.

Caution: Be sure to tighten the tank cover.

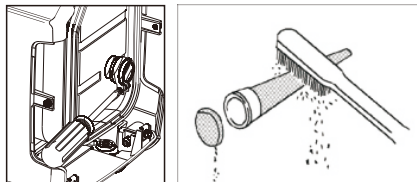


5) Muffler



After the engine starts working, the engine and muffler will become very hot. Be careful not to have your skin and clothing come into contact with the engine and muffler during inspection.

- ① Remove the muffler cover.
- ② Use a brush to brush off the carbon ash on the screen.
- ③ Check the muffler cover and replace if it is damaged.
- ④ Replace the muffler net cover.



10.Storage And Transportation

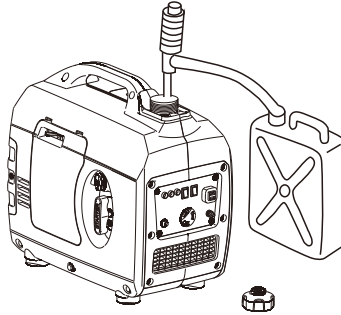


In order to avoid burning or fire due to exposure to high temperature parts of the engine, the engine must be cooled before being stored and stored.

For long-term storage, be sure to keep the storage area clean and dry. To prevent aging, you need to carry out some storage measures.

1) Emptying Fuel

1. Turn the triple switch to OFF
2. Open the tank cover and remove the filter. The fuel tank all extracted to the special fuel tank, and then replace the tank cover.



3. Start the engine, so that the carburetor fuel burn after the shutdown.

Note: Do not connect any electrical equipment, the engine running time depends on the fuel tank in the remaining fuel.



On usually, gasoline is flammable and explosive. Please put off the oil in a well ventilated condition after shutdown. It is strictly forbidden in the process of oil discharge.

- ① Unscrew the oil gauge and put the oil in the crankcase clean. And add a new oil to the oil limit, and then install the oil ruler.
- ② Remove the spark plug and pour a spoonful of clean oil into the combustion chamber. Turn the crankshaft a few laps, so that oil distribution to everywhere. And then install the spark plug.
- ③ Gently pull the starting handle until you feel the resistance so far, so that the exhaust valve are in a closed state.
- ④ Place the generator set in a clean and dry area.

2) Generator Transportation

- ① When the generator unit is transported, make sure that no fuel spills.
- ② Do not add too much fuel to the fuel tank.
- ③ Do not run generators to avoid direct sunlight.
- ④ The temperature should not too high at the carriage.
- ⑤ Do not transport generators on rough roads for long time.

11. Trouble Shooting

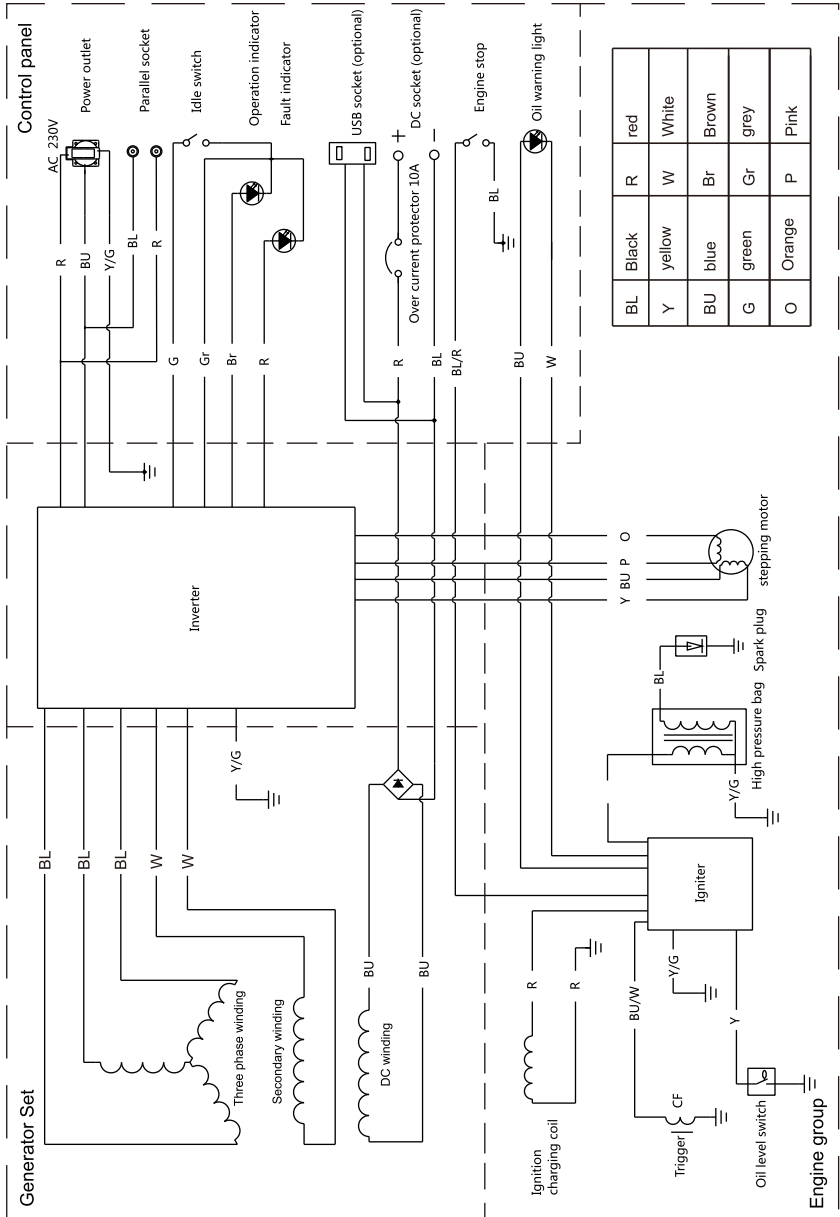
The engine does not star

- 1) Fuel System.
 - a) There is no fuel in the combustion chamber.
 - b) There is no fuel in the fuel tank.
 - c) Tubing is blocked.
 - d) Something else get into the fuel valve.
 - e) Carburetor is blocked.
- 2) Lack of oil. Oil level is too low.
- 3) Circuit system.
 - a) Turn ON the engine switch.
 - b) Sparks is bad.
 - c) The spark plug is stained with carbon and moisture.
 - d) Poor ignition system.
- 4) Poor compression.
 - a) Piston and cylinder wear.
 - b)The bolt on the top of cylinder is not tight.
 - c) Seal is damaged.

Generator has no output

- a) Whether the generator is damp.
- b) Whether the line connector is loose.
- c) Whether the output socket is damaged.
- d) Whether it's overloaded.

12.Circuit Diagram



13. Parameter

Item		Parameter
Generator set Model		1200i
Engine	Model	145F/P
	Type	Single Cylinder, Four Stroke
	Bore×Stroke(mm)	45×36
	Displacement(cc)	57
	Compression Ratio	8.5:1
	Max.Power (kW)	1.5
	Rated Power (kW)	1.35
	Ignition System	Transistorized Magneto
	Starting Mode	Recoil Start
	Fuel Tank Capacity(L)	2.5
	Lubrication Oil Capacity(L)	0.33
Generator	Noise dB (7m)	60
	Max.Power (kW)	1.2
	Rated Power (kW)	1.0
	Rated Voltage (V)	230
	Rated Current (A)	4.3
	Rated Frequency (Hz)	50
	Power Factor	1
	Insulation Grade	F
Performance Grade	G1	
Whole sets	N.W (kg)	11.5
	Dimension (L×W×H) mm	420×240×400

