



60in TITAN® MAX Riding Mower

Model No. 76601—Serial No. 400000000 and Up

Model No. 76602—Serial No. 400000000 and Up

Setup Instructions

Setup

Loose Parts

Use the chart below to verify that all parts have been shipped.

Procedure	Description	Qty.	Use
1	No parts required	–	Remove the machine from the crate.
2	No parts required	–	Add fuel to the machine.
3	No parts required	–	Check the engine-oil level.
4	No parts required	–	Check the hydraulic-fluid level.
5	No parts required	–	Check the tire pressure.
6	No parts required	–	Charge the battery.
7	No parts required	–	Raise the rollover-protection system (ROPS).
8	No parts required	–	Check the grass deflector.
9	No parts required	–	Check the mower adjustment.
10	No parts required	–	Check the machine before delivery to the customer (all machines).
11	Operator's Manual Engine owner's manual Operator-training material Key Registration card	1 1 1 2 1	Deliver the machine to the customer (all machines).

Note: Determine the left and right sides of the machine from the normal operating position.



1

Removing the Machine from the Crate

No Parts Required

Procedure

If removing the machine from a metal crate, refer to the *Dealer/Distributor Portal* for further information.

2

Adding Fuel to the Machine

No Parts Required

Procedure

Add fuel to the machine before starting it. Refer to your *Operator's Manual* for the correct fuel and procedure.

3

Checking the Engine-Oil Level

No Parts Required

Procedure

Before you start the engine and use the machine, check the oil level in the engine crankcase; refer to Checking the Engine-Oil Level in the *Operator's Manual*.

4

Checking the Hydraulic-Fluid Level

No Parts Required

Procedure

This machine is shipped filled with hydraulic fluid in the reservoirs.

Check the expansion tank; if necessary, add Toro® HYPR-OIL™ 500 hydraulic fluid, as recommended in the *Operator's Manual*, to the FULL COLD line ([Figure 1](#)).

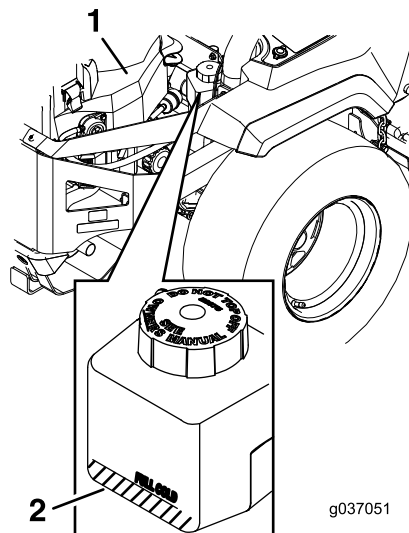


Figure 1

1. Engine
2. Expansion tank

5

Checking the Tire Pressure

No Parts Required

Procedure

Pressure: 13 psi (90 kPa)

Note: Check the tire pressure before starting the machine. Refer to your *Operator's Manual* for the correct tire type and procedure.

6

Charging the Battery

No Parts Required

Procedure

Important: Do not run the machine with the battery disconnected; electrical damage may occur to the engine.

1. Charge the battery; refer to the *Operator's Manual* for instructions.
2. Connect the negative battery cable.

Note: If the positive cable is also disconnected, connect the positive (red) cable to the positive battery terminal first, then the negative (black) cable to the negative battery terminal. Slip the insulator boot over the positive terminal.

7

Raising the Rollover-Protection System (ROPS)

No Parts Required

Procedure

Important: Always use the seat belt with the roll bar in the raised position.

1. Remove the hairpin cotters and remove the 2 pins (Figure 2).
2. Raise the roll bar to the upright position, install the 2 pins, and secure them with the hairpin cotters (Figure 2).

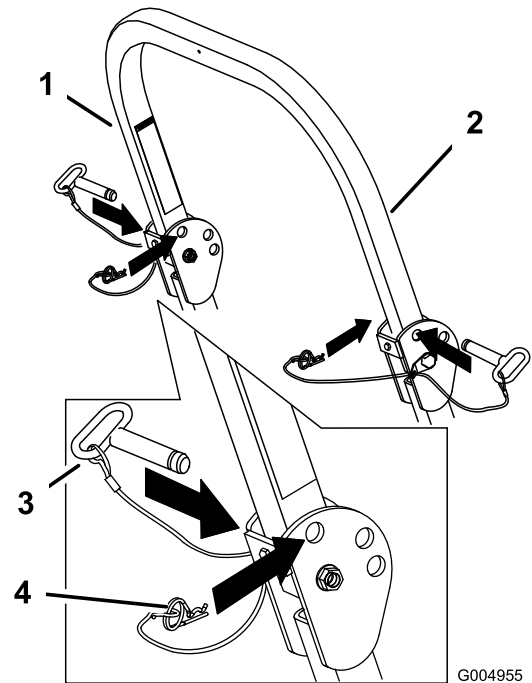


Figure 2

- | | |
|--------------------|-------------------|
| 1. Roll bar | 3. Pin |
| 2. Raised position | 4. Hairpin cotter |

8

Checking the Grass Deflector

No Parts Required

Procedure

If there are plastic ties holding the grass deflector up, remove them and lower the deflector into place.

▲ WARNING

An uncovered discharge opening could allow the machine to throw objects toward you or bystanders, resulting in serious injury or death. Also, contact with the blade could occur.

Never operate the machine without a cover plate, a mulch plate, grass deflector, or bagger installed.

9

Checking the Mower Adjustment

No Parts Required

Procedure

Adjust the side-to-side level and the front-to-rear blade slope. Use the relevant procedures in the *Operator's Manual* to verify that the deck is level, and make any adjustments as needed.

10

Checking the Machine Before Delivery to the Customer (All Machines)

No Parts Required

Procedure

Before delivering the machine to the customer, ensure that you have performed the procedures listed in the following table and initial each when finished. Refer to the *Operator's Manual* for instructions on performing these procedures.

Initial	Check Procedure
	Check the tire pressure.
	Check the level of the mower deck.
	Check the engine-oil level.
	Check the hydraulic-fluid level.
	Check that the ROPS is secure.
	Check the adjustment of the parking brake.
	Ensure that the machine tracks correctly; refer to the <i>Operator's Manual</i> for the adjustment procedure.
	Check the safety interlock system; refer to the <i>Operator's Manual</i> .
	Ensure that the PTO works.
	Check all fasteners that you installed to ensure that they are tight.

When you finish setting up the machine, sign and date in the space provided below:

Signature: _____ Date: _____

11

Delivering the Machine to the Customer (All Machines)

Parts needed for this procedure:

1	Operator's Manual
1	Engine owner's manual
1	Operator-training material
2	Key
1	Registration card

Procedure

At delivery, fill in the model and serial number, complete the items listed in the following table, and initial each when finished.

Model No. _____ Serial No. _____

Dealer Initial	Customer Initial	Check Procedure
		Show the customer where the following features are located and how they function:
		• Fuel tank
		• Oil-fill cap/Oil dipstick
		• Spark plug(s)
		• Engine-oil filter
		• Engine-oil drain
		• Fuel gauge, valve, and hose
		• Air filter
		• Hydraulic-fluid reservoir
		• Hydraulic filter
		• Battery
		• Ignition switch
		• Throttle lever
		• Choke (if applicable)
		• Power-takeoff switch (PTO)
		• Motion-control levers
		• Parking brake
		• Height of cut
		• Lift-assist lever (if applicable)
		• Adjustable seat
		• Hydraulic-bypass valves
		• Rollover-Protection System (ROPS)

Dealer Initial	Customer Initial	Check Procedure
		Refer to the <i>Operator's Manual</i> to point out safety procedures, operation, and maintenance procedures.
		Review the warranty statement.
		Describe the post-sale service procedures for your store.
		Assist the customer in filling out and mailing the registration card or register online at www.Toro.com .
		Make sure that the customer receives the <i>Operator's Manual</i> , engine owner's manual, <i>Setup Instructions</i> , and operator training material.
		Make sure the customer knows that the <i>Parts Catalog</i> is available at www.Toro.com .
		Assist the customer in loading the machine.

Note: When you, the dealer representative, have finished delivering the machine to the customer, sign and date in the space provide below and keep a copy of this page for dealer records. Also, the dealer must remind the customer to use a full-width trailer ramp to load the machine.

Signature: _____ **Date:** _____

Signature: _____ **Date:** _____



Count on it.