

KIPOR[®]

KIPOR POWER

OPERATION MANUAL

PLEASE READ THIS MANUAL CAREFULLY.
IT CONTAINS IMPORTANT SAFETY INFORMATION.

WWW.KIPOR.COM

KIPOR[®]

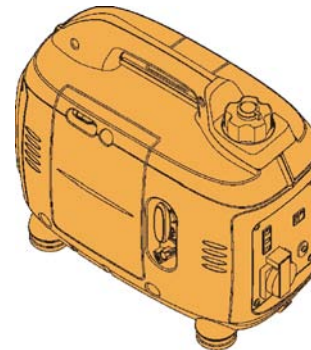
WUXI KIPOR POWER CO., LTD.

Address: Beside Jingyi Rd, Third-stage Development Section
of Wangzhuang Industry Area, Wuxi High &
New Technology Industry Development Zone.

TEL: 0086-510-85205041

FAX: 0086-510-85203796

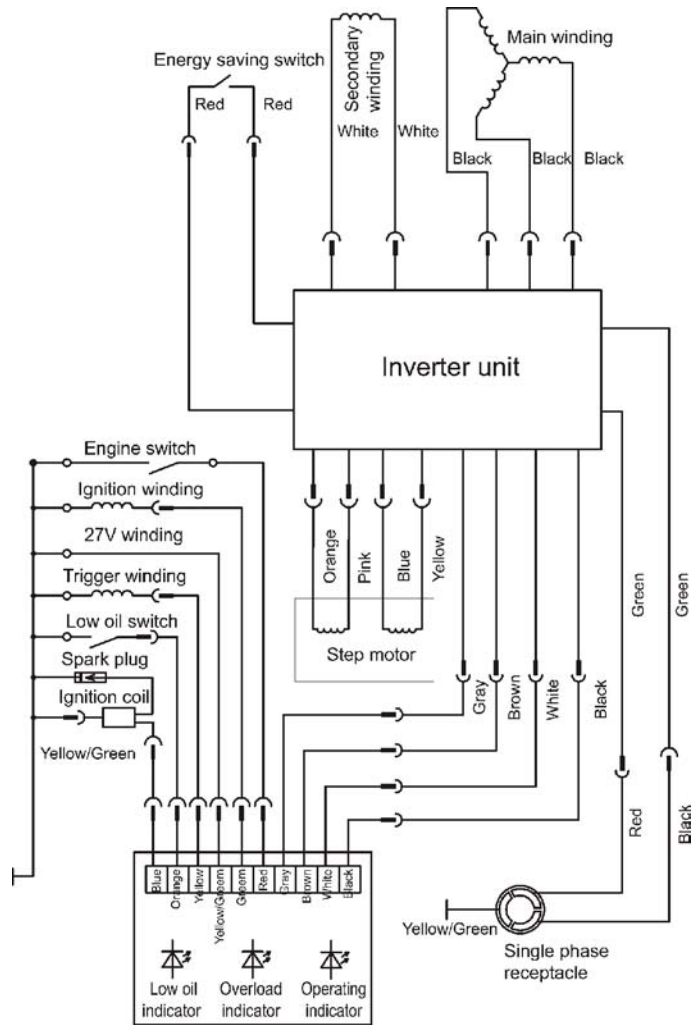
E-MAIL: kipor@kipor.com



**DIGITAL
GENERATOR**

IG770

12. ELECTRIC DIAGRAM



PREFACE

Thank you for purchasing our generators.

This manual covers operation and maintenance of the IG770 generator.

All information in this publication is based on the latest product information available at the time of approval for printing.

We reserve the right to make changes at any time without notice and without incurring any obligation.

No part of this publication may be reproduced without written permission.

This manual should be considered a permanent part of the generator and should remain with it if it is resold.

Pay special attention to statements preceded by the following words;

⚠ WARNING

Failed to properly follow these precautions can result in property damage, serious injury or DEATH

Read all labels and the owner's manual before operating this generator.

Operate only in well ventilated areas. Exhaust gas contains poisonous carbon monoxide, and can be deadly. Always stop engine before refueling. Wait 5 minutes before restarting.

Check for spilled fuel or leaks. Clean and/or repair before use.

Keep any sources of ignition away from fuel tank, at all times.

⚠ WARNING

Indicates a strong possibility of severe personal injury or death if instructions are not followed.

⚠ CAUTION

Indicates a possibility of personal injury or equipment damage if instructions are not followed. If a problem should arise, or if you have any questions about the generator, consult an authorized dealer.

⚠ WARNING

Our generators are designed to give safe and dependable service if operated according to instructions. Read and understand the Owner's Manual before operating the generator. Failure to do so could result in personal injury or equipment damage.

* The illustration may vary according to the type.

CONTENTS

1. Safety Instructions	1
2. Safety Label Locations	3
3. Component Identification	4
4. Pre-operation Check	5
5. Starting the Engine	9
6. Generator Use	12
7. Stopping the Engine	16
8. Maintenance	18
9. Transporting/Storage	25
10. Troubleshooting	27
11. Specifications	29
12. Electric diagram	30

11. SPECIFICATIONS

Model	IG770		
Rated frequency (Hz)	50	60	60
Rated voltage (V)	230	120	240
Rated current (A)	3.04	5.82	2.92
Rated rotation speed [r/min]	6000		
Rated output (kVA)	0.70		
Max. output (kVA)	0.77		

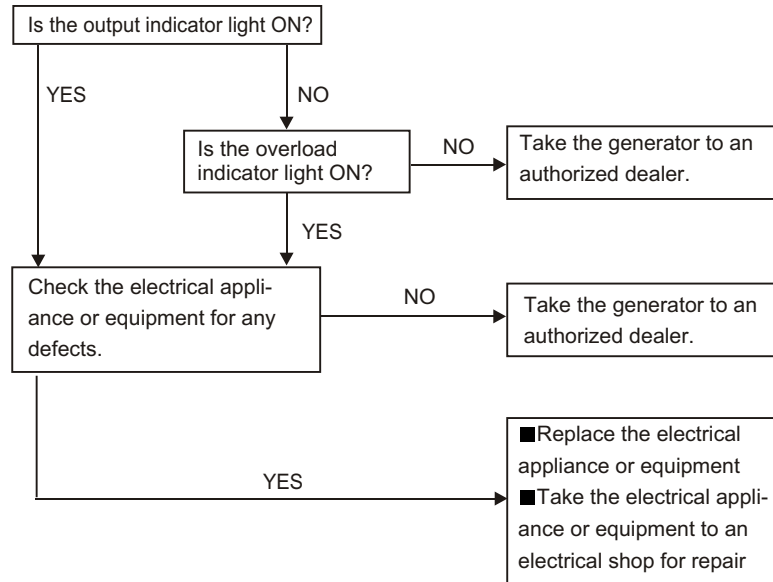
Engine

Model Type	KG140
Type	Single cylinder, 4 stroke, air-cooled, vertical, OHV
Displacement (BorexStroke)	37.68ml (40 × 30mm)
Compression ratio	8.5:1
Rated power [kW(Hp)/(r/min)]	1.00/6000
Rated rotation speed [rpm]	6000
Ignition system	T.C.I
Spark plug	UR5
Starting system	Recoil starter
Fuel	Automotive unleaded gasoline
Fuel consumption (g/kW.h)	450
Lube oil	CD grade or SAE 10W/30

Fuel tank capacity (L)	1.55
Continuous running time (hr) (at rated output)	3
Noise level (zero load-full load) [dB(A)/7m]	60-65 *
Overall dimension (LxWxH) [mm(in)]	410 × 220 × 360
Dry weight [kg(lbs)]	10.5

*The declared values shall consider uncertainties due to production variation and measurement procedures.

Appliance does not operate:



1. SAFETY INSTRUCTIONS

WARNING

Operate carefully to ensure safety.

WARNING



■ Our generators are designed to give safe and depend-able service if operated according to instructions.
Read and understand the Owner's Manual before operating the generator. Failure to do so could result in personal injury or equipment damage.

WARNING



■ Exhaust gas contains poisonous carbon monoxide. Never run the generator in an enclosed area. Be sure to provide adequate ventilation.

WARNING



■ The muffler becomes very hot during operation and remains hot for a while after stopping the engine. Be careful not to touch the muffler while it is hot.
■ The engine exhaust system will be heated during operation and remain hot immediately after stopping the engine.
To prevent scalding, pay attention to the warning marks attached to the generator.

WARNING

■ Gasoline is extremely flammable and explosive under certain conditions. Refuel in a well ventilated area with the engine stopped.
■ Keep away from cigarette, smoke and sparks when re-fueling the generator. Always refuel in a well-ventilated location.
■ Wipe up spilled gasoline at once.
■ Usage of generator should be limited in ambient where the risk of fire may be high.

! WARNING

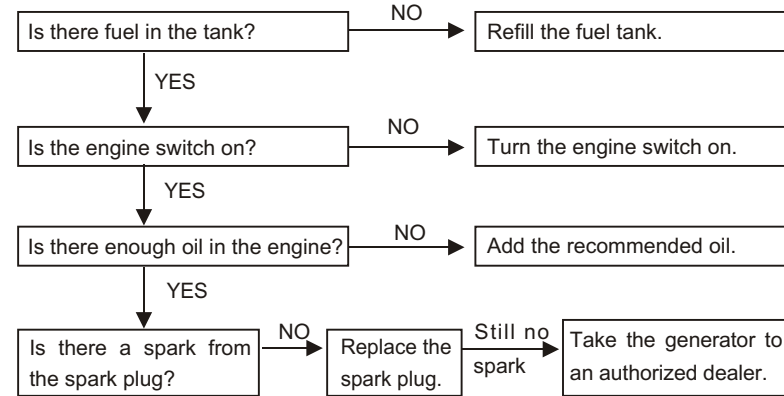
■ Connections for standby power to a building's electrical system must be made by a qualified electrician and must comply with all applicable laws and electrical codes. Improper connections can allow electrical current from the generator to back feed into the utility lines. Such back feed may electrocute utility company workers or others who contact the lines during a power outage, and when utility power is restored, the generator may explode, burn, or cause fires in the building's electrical system.

! WARNING

- Always make a pre-operation inspection before you start the engine. You may prevent an accident or equipment damage.
- Place the generator at least 1m(3ft) away from buildings or other equipment during operation.
- Operate the generator on a level surface.
If the generator is tilted, fuel spillage may result.
- Know how to stop the generator quickly and understand operation of all the controls. Never permit anyone to operate the generator without proper instructions.
- Keep children and pets away from the generator when it is in operation.
- Keep away from rotating parts while the generator is running.
- The generator is a potential source of electrical shocks when misused; do not operate with wet hands.
- Do not operate the generator in rain or snow and do not let it get wet.

10. TROUBLE SHOOTING

When the engine will not start:



! WARNING

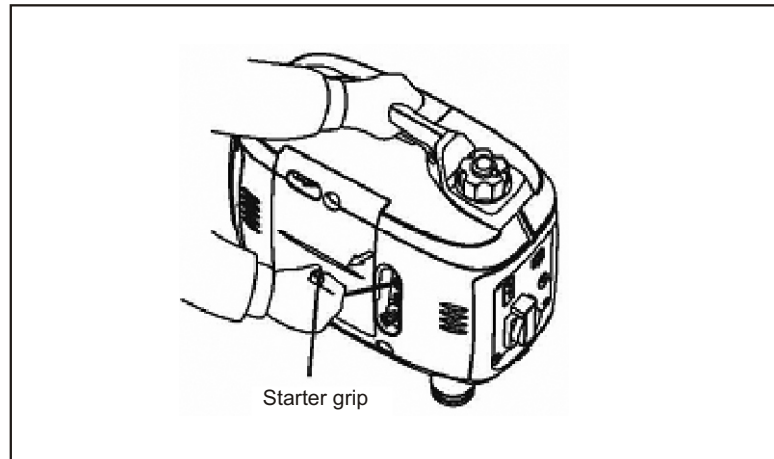
■ Be sure there is no spilled fuel around the spark plug. Spilled fuel may ignite.

If the engine still does not start, take the generator to an authorized dealer.

To check:

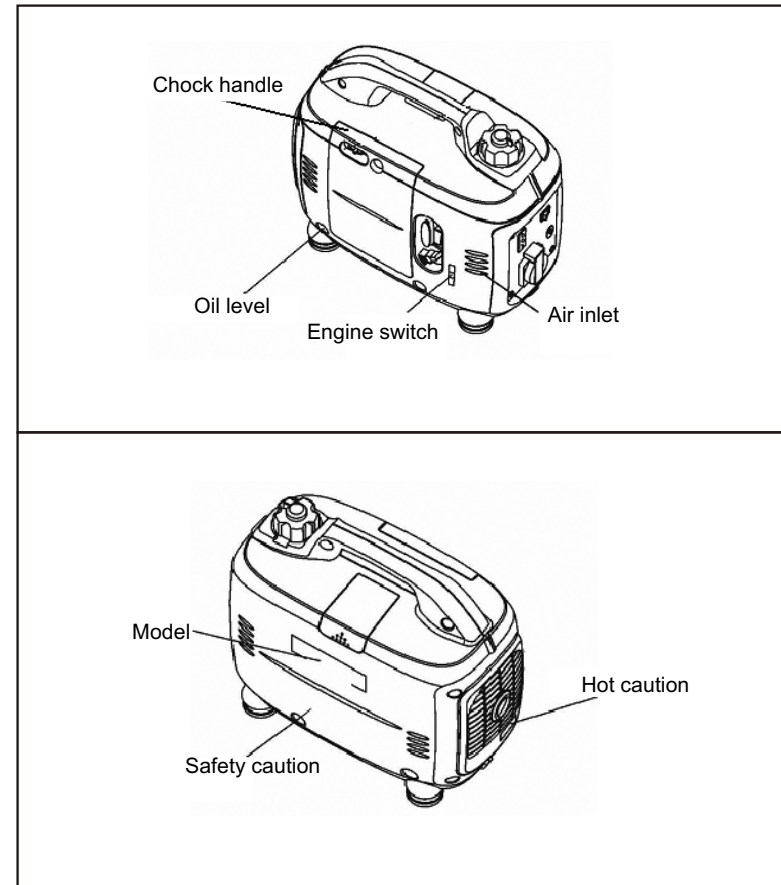
- 1) Remove the spark plug cap and clean any dirt from around the spark plug.
- 2) Remove the spark plug and install the spark plug in the plug cap.
- 3) Set the plug side electrode on the cylinder head to ground.
- 4) Pull the recoil starter, sparks should jump across the gap.

- A. Drain all gasoline from the fuel tank into an approved gasoline container.
 - B. Turn the engine switch ON, and loosen the carburetor drain screw and drain the gasoline from the carburetor into a suitable container.
 - C. With the drain screw loosened remove the spark plug cap, and pull the starter grip 3 to 4 times to drain the gasoline from the fuel pump.
 - D. Turn the engine switch to the OFF position, and tighten the drain screw securely.
 - E. Reinstall the spark plug cap on the spark plug
3. Change the engine oil.
4. Remove the spark plug and pour about a tablespoon of clean engine oil into the cylinder.
- Crank the engine several revolutions to distribute the oil, then reinstall the spark plug.
5. Slowly pull the starter grip until resistance is felt. At this point, the piston is coming up on its compression stroke and both the intake and exhaust valves are closed. Storing the engine in this position will help to protect it from internal corrosion.

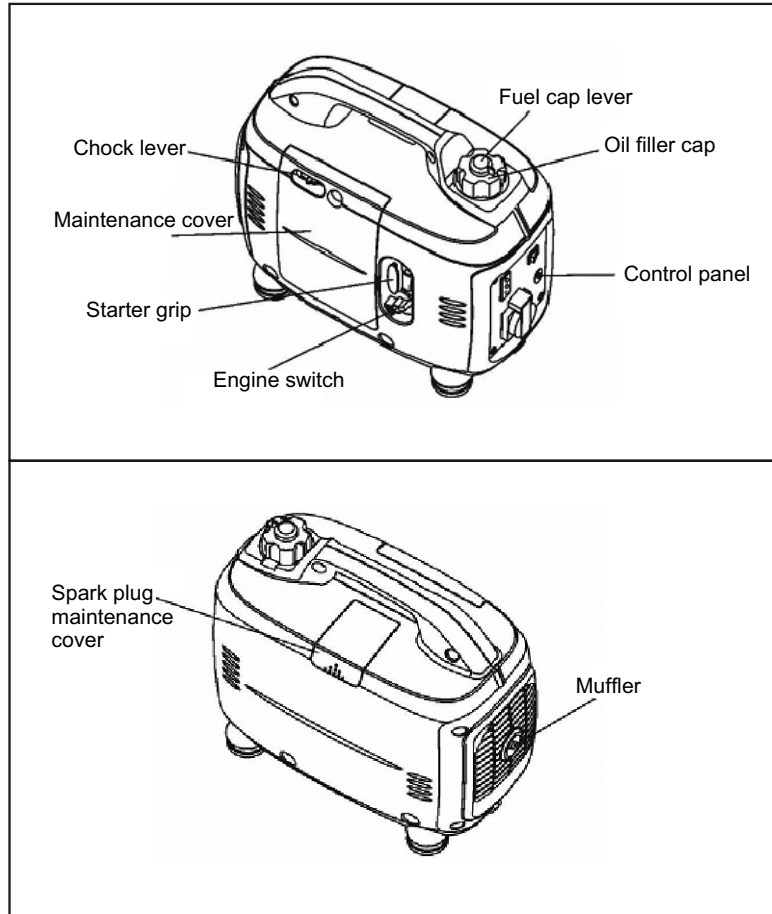


2. SAFETY LABEL LOCATIONS

These labels warn you of potential hazards that can cause serious injury. Read the labels and safety notes and precautions described in this manual carefully. If a label comes off or becomes hard to read, contact your dealer for a replacement.



3. COMPONENT IDENTIFICATION



9. TRANSPORT/STORAGE

To prevent fuel spillage when transporting or during temporary storage, the generator should be secured upright in its normal operating position, with the engine switch OFF. Turn the cap lever fully counterclockwise to the "OFF" position.

WARNING

When transporting the generator:

- Do not overfill the tank (there should be no fuel in the filler neck)
- Do not operate the generator while it is on a vehicle.
Take the generator off the vehicle and use it in a well ventilated place.
- Avoid a place exposed to direct sunlight when putting the generator on a vehicle. If the generator is left in an enclosed vehicle for many hours, high temperature inside the vehicle could cause fuel to vaporize resulting in a possible explosion.

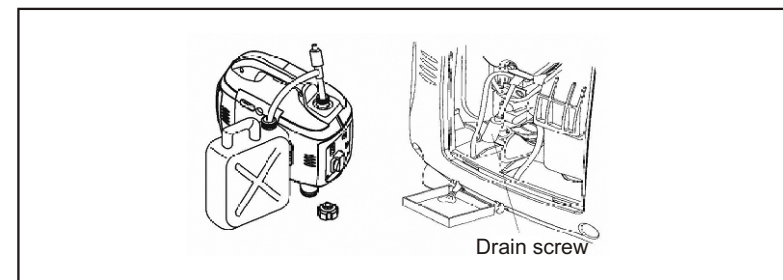
Do not drive on a rough road for an extended period with the generator on board, if you must transport the generator on a rough road, drain the fuel from the generator beforehand.

Before storing the unit for an extended period:

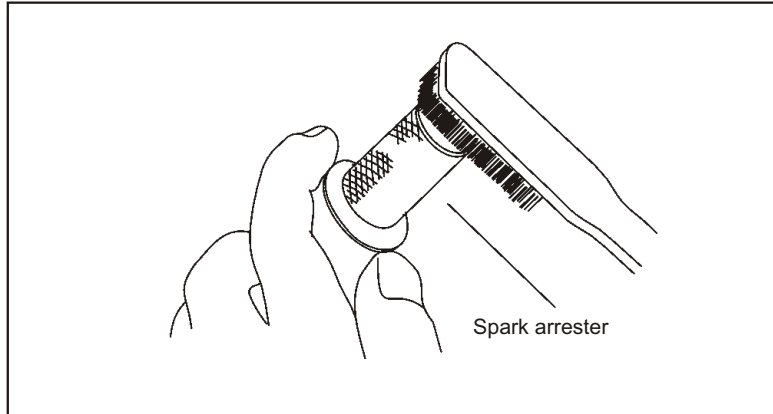
1. Be sure the storage area is free of excessive humidity and dust.
2. Drain out the fuel completely.

CAUTION

- Gasoline is extremely flammable and explosive under certain conditions.
- Do not smoke or allow flames or sparks in the area.

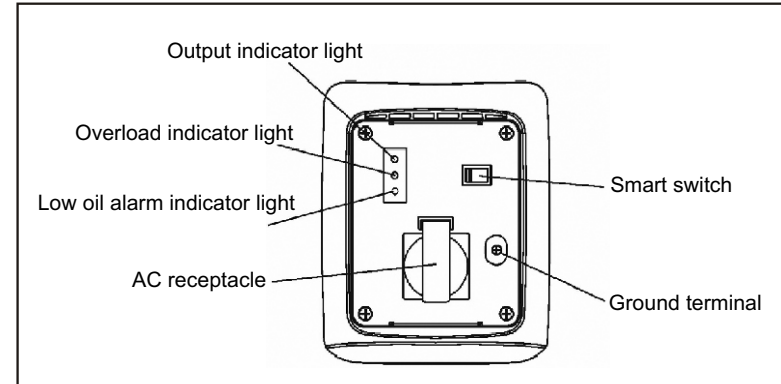


(3). Use a brush to remove carbon deposits from the spark arrester screen.



(4). Check the muffler gasket; replace if damaged. Reinstall the muffler gasket, the spark arrester, the muffler and the muffler protector in the reverse order of removal.

Control panel



SMART throttle:

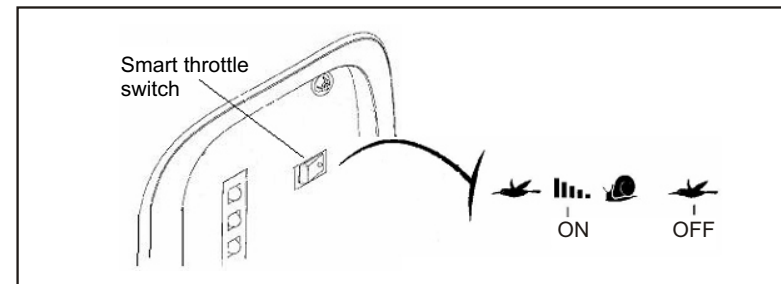
Engine speed is kept at idle automatically when the electrical appliance is disconnected and it returns to the proper speed to power of the electrical load when electrical appliance is connected. This position is recommended to minimize the fuel consumption while in operation.

NOTE

- Smart throttle system does not operate effectively if the electrical appliance requires the big electric power.
- When high electrical loads are connected simultaneously turn the smart throttle switch to the OFF position to re-duce voltage changes.

OFF:

Note: Smart throttle system does not operate. Engine speed is kept at high-speed lever.



4. PRE-OPERATION CHECK

Be sure to check the generator on a level surface with the engine stopped.

1. Check the engine oil level.

⚠ CAUTION

- Using nondetergent oil or 2-stroke engine oil could shorten the engine's service life.
- Use a high-detergent, premium quality 4-stroke engine oil, certified to meet or exceed U.S. automobile manufacturer's requirements for API Service Classification SG/SF.
- Select the appropriate viscosity for the average temperature in your area.

SAE Viscosity Grades

Ambient temperature	Engine oil type
-25°C-30°C	10W-30
-15°C-40°C	15W-40

⚠ CAUTION

- Store and use the oil carefully in order to prevent dust or dirty flowing into the oil. If oil is overfilled, wipe it up at once.
- Never mix different kinds of oil.

Remove and wipe the dipstick with a clean rag. Check the oil level by inserting the dipstick in the filler hole without screwing it in.

If the oil level is below the end of the dipstick, refill the recommended oil up to the top of the oil filler neck.

⚠ CAUTION

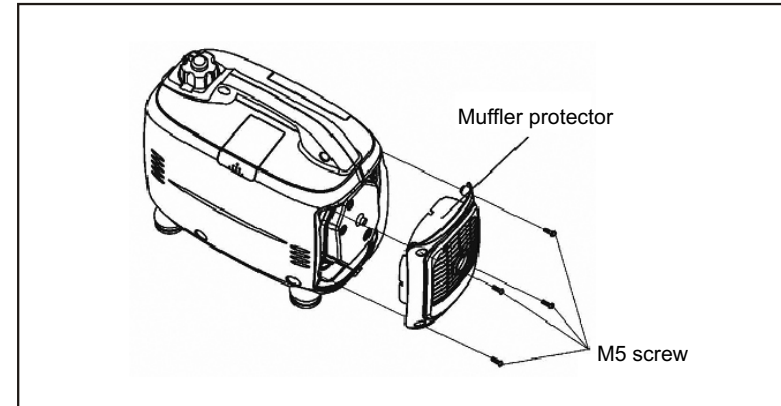
- Running the engine with insufficient oil can cause serious engine damage.
- The Low Oil Alarm System will automatically stop the engine before the oil level falls below the safe limit. However, to avoid the inconvenience of an unexpected shutdown, it is still advisable to visually inspect the oil level regularly.

4. SPARKARRESTER MAINTENANCE

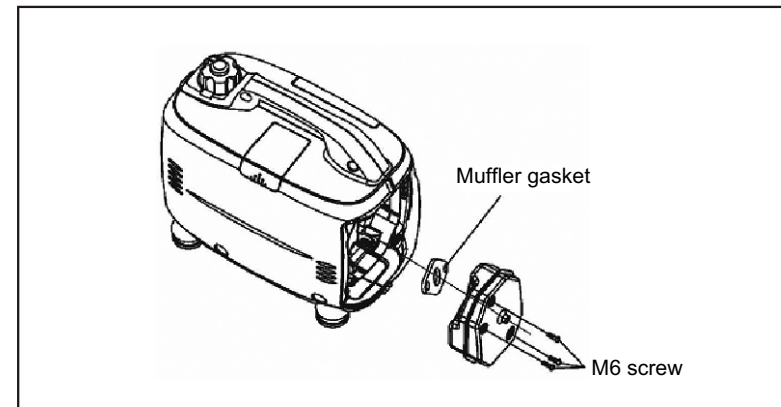
⚠ WARNING

- If the generator has been running, the muffler will be very hot. Allow it to cool before proceeding.
- The spark arrester must be serviced every 100 hours to maintain its efficiency.

(1). Remove the four M5 screws, and remove the muffler protector.



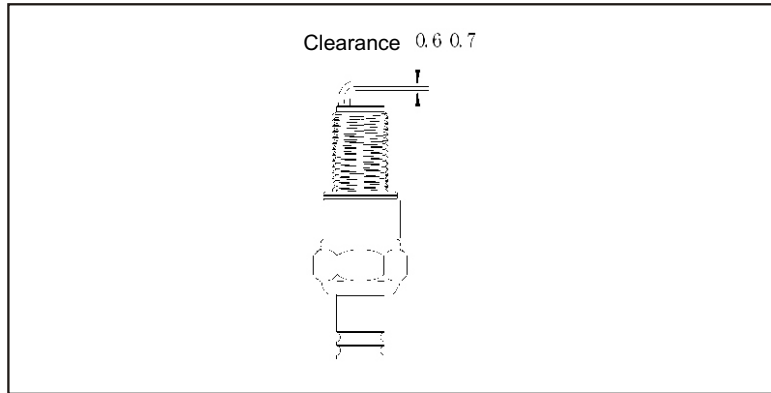
(2). Remove the three M6 bolts, and remove the muffler, the spark arrester and the muffler gasket



(5). Visually inspect the spark plug. Discard it if the insulator is cracked or chipped. Clean the spark plug with a wire brush if it is to be reused.

(6). Measure the plug gap with a feeler gauge.

The gap should be 0.6-0.7mm(0.024-0.028in). Correct as necessary by carefully bending the side electrode.



! CAUTION

■ The spark plug must be securely tightened. An improperly tightened plug can become very hot and possibly damage the generator. Never use a spark plug with an improper heat range.

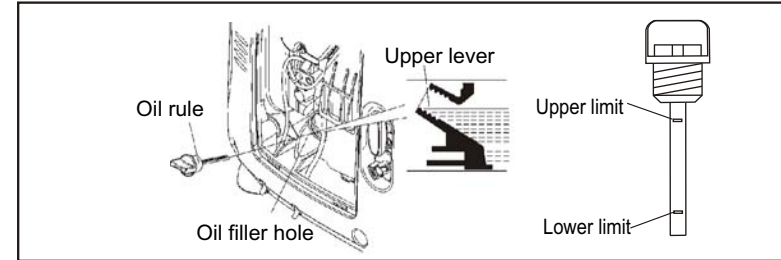
(7). Install the spark plug carefully, by hand, to avoid cross-threading.

(8). After a new spark plug has been seated by hand, it should be tightened 1/2 turn with a wrench to compress its washer.

If a used plug is being reinstalled, it should only require 1/8 to 1/4 turn after being seated.

(9). Reinstall the spark plug cap on the spark plug securely.

(10). Close the left maintenance cover.



2. Check the fuel level.

Use automotive gasoline (Unleaded or low-leaded is preferred to minimize combustion chamber deposits).

If the fuel level is low, refuel the fuel tank until the level as specified.

Never use an oil/gasoline mixture or dirty gasoline.

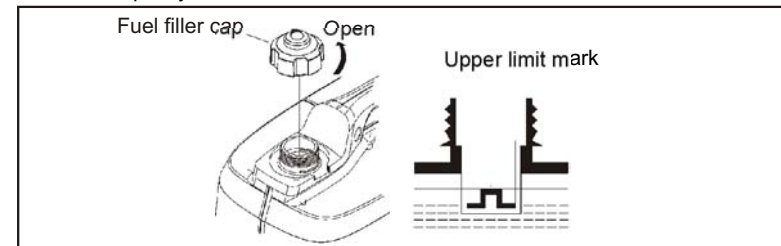
Avoid getting dirt, dust or water in the fuel tank.

After refueling, tighten the oil rule securely.

! WARNING

- Gasoline is extremely flammable and is explosive under certain conditions.
- Refuel in a well-ventilated area with the engine stopped.
- Do not smoke or allow flames or sparks in the area where the engine is refueled or where gasoline is stored.
- Do not overfill the fuel tank (there should be no fuel above the upper limit mark). After refueling, make sure the tank cap is closed properly and securely.
- Be careful not to spill fuel when refueling. Spilled fuel or fuel vapor may ignite, if any fuel is spilled, make sure the area is dry before starting the engine.
- Avoid repeated or prolonged contact with skin or breathing of vapor, KEEP OUT OF REACH OF CHILDREN.

Fuel tank capacity: 1.55L



Gasoline containing alcohol

If you decide to use a generator containing alcohol (gasohol), be sure its octane rating is at least as high as that recommended by us. There are two types of gasohol: one containing ethanol, and the other containing methanol. Do not use gasohol that contains more than 10% ethanol. Do not use gasoline containing methanol (methyl or wood alcohol) that does not also contain cosolvents and corrosion inhibitors for methanol. Never use gasoline containing more than 5% methanol, even if it has cosolvents and corrosion inhibitors.

⚠ CAUTION

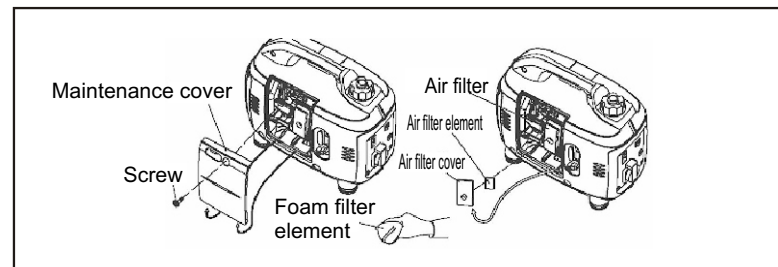
- Fuel system damage or engine performance problems resulting from the use of fuel that contain alcohol is not covered under the warranty. We cannot endorse the use of fuels containing methanol since evidence of their suitability is as yet incomplete.
- Before buying fuel from an unfamiliar station, try to find out if the fuel contains alcohol. If it does, confirm the type and percentage of alcohol used. If you notice any undesirable operating symptoms while using a gasoline that contains alcohol, or one that you think contains alcohol, replace it by a gasoline that you know does not contain alcohol.

3. Check the air cleaner.

Check the air cleaner element to be sure it is clean and in good condition. Loosen the cover screw and remove the left side maintenance cover. Press the latch tab on the top of the air cleaner body, remove the air cleaner cover, check the element. Clean or replace the element if necessary.

⚠ CAUTION

- Never run the engine without the air cleaner. Rapid engine wear will result from contaminants, such as dust and dirt, being drawn through the carburetor, into the engine.

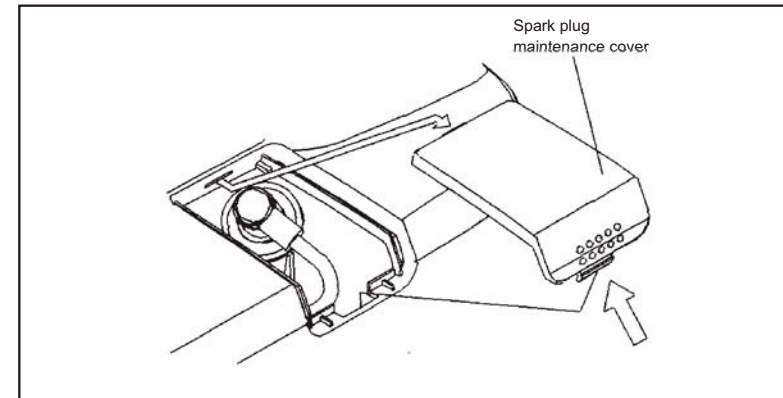


3. SPARK PLUG SERVICE

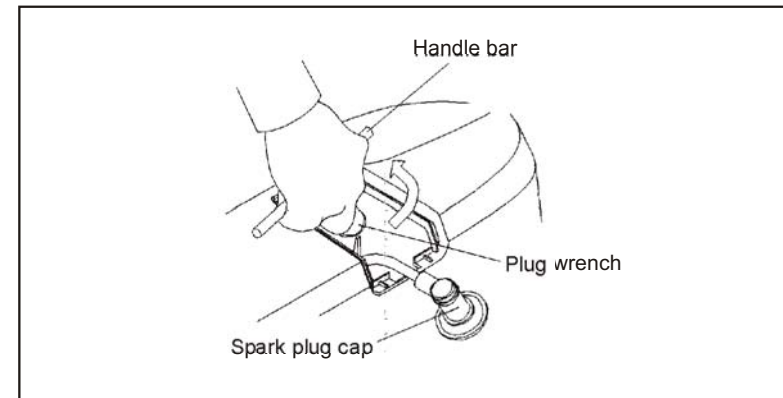
RECOMMENDED SPARK PLUG: UR5

To ensure proper engine operation, the spark plug must be properly gapped and free of deposits.

- (1). Remove the spark plug maintenance cover.



- (2). Remove the spark plug cap.
- (3). Clean any dirt from around the spark plug base.
- (4). Use the wrench to remove the spark plug.



2. AIR CLEANER SERVICE

A dirty air cleaner will restrict air flow to the carburetor. To prevent carburetor malfunction, service the air cleaner regularly. Service more frequently when operating the generator in extremely dusty areas.

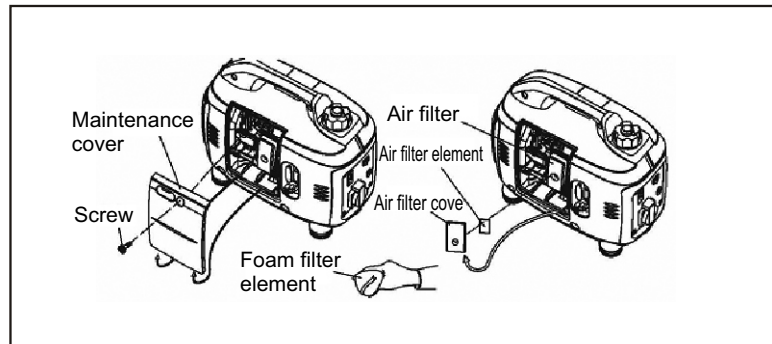
⚠ WARNING

■ Do not use gasoline or low flash point solvents for cleaning. They are flammable and explosive under certain conditions.

⚠ CAUTION

■ Do not run generator without air cleaner for causing engine accelerated wear.

- Loosen the cover screw and remove the left side maintenance cover.
- Press the latch tab on the top of the air cleaner body, and remove the air cleaner cover.
- Wash the element in a non-flammable or high flash point solvent and dry it thoroughly.
- Soak the element in clean engine oil and squeeze out the excess oil.
- Reinstall the air cleaner element and the cover.
- Reinstall the left side maintenance cover and tighten the cover screw securely.



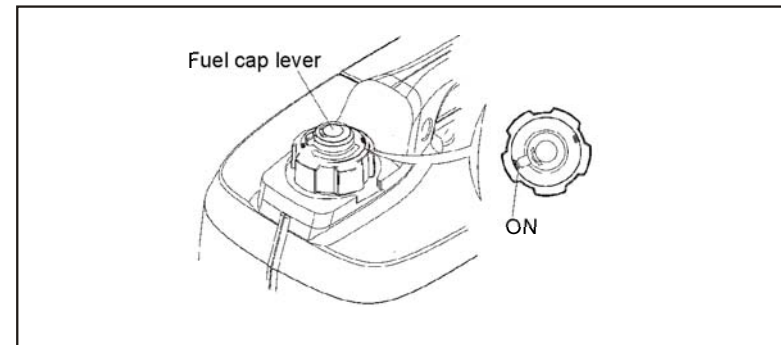
5. STARTING THE ENGINE

⚠ CAUTION

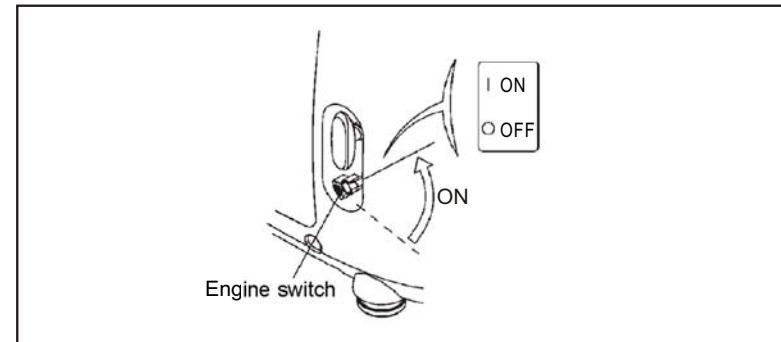
- Before starting the engine, disconnect the load from the DC terminals.
- When starting the generator after adding fuel for the first time or after long term storage, or after running out of fuel, turn the fuel valve lever to the "ON" position, then wait for 10 to 20 seconds before starting the engine.

- Turn the fuel cap lever fully clockwise to the ON position.

Note: Turn the fuel cap vent lever to the OFF position when transporting generator.

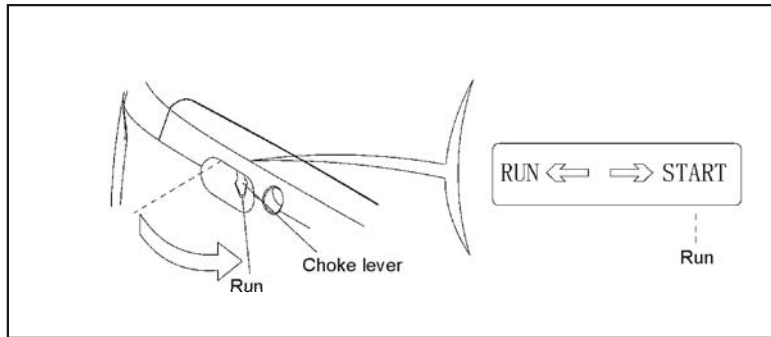


- Turn the engine switch to the On position.

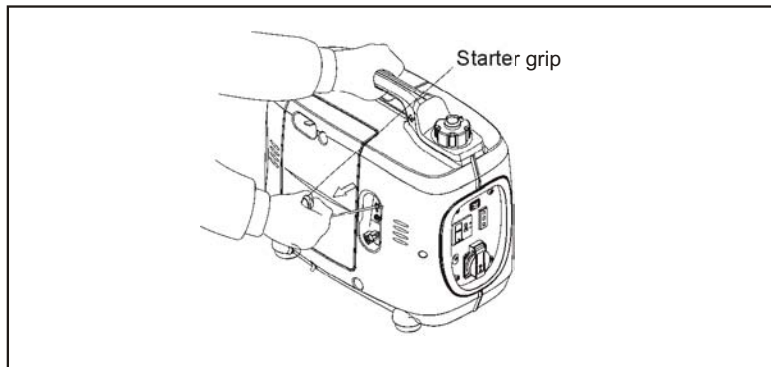


3. Move the choke lever to the START position.

Note: Do not use the choke when the engine is warm or the air temperature is high.



4. Pull the starter grip until resistance is felt, then pull the starter grip briskly toward the arrow as shown below.

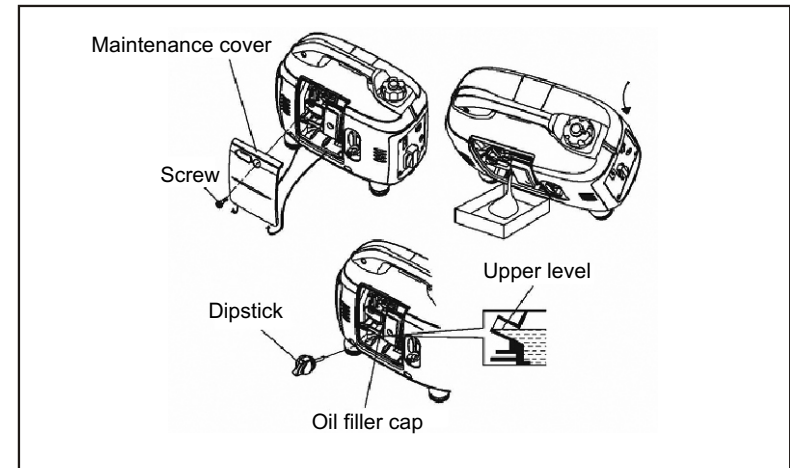


1. CHANGING OIL

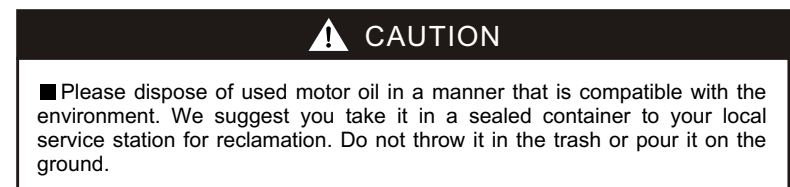
Drain the oil while the engine is still warm to assure rapid and complete draining.



1. Loosen the cover screw and remove the left side maintenance cover.
 2. Remove the oil filler cap.
 3. Drain dirty oil into a container thoroughly.
 4. Refill with the recommended oil, and check the oil level.
 5. Reinstall the left side maintenance cover and tighten the cover screw securely.
- Engine oil capacity: 0.15L



Wash your hands with soap and water after handling used oil.



8. MAINTENANCE

The purpose of the maintenance and adjustment schedule is to keep the generator

⚠ WARNING

■ Shut off the engine before performing any maintenance. If the engine must be run, make sure the area is well ventilated. The exhaust contains poisonous carbon monoxide gas.

⚠ CAUTION

■ Use genuine our parts or their equivalent. The use of replacement parts which are not of equivalent quality may damage the generator.

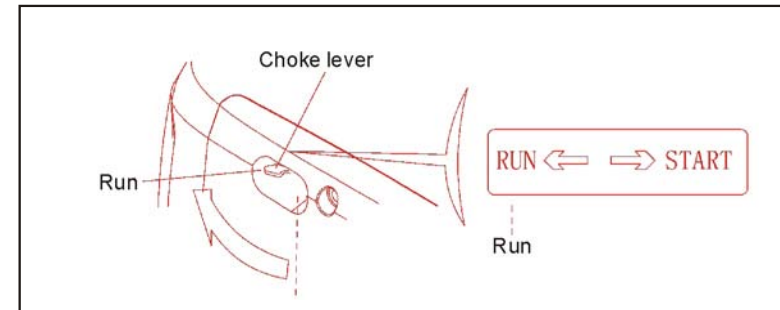
7.1 Maintenance Schedule

REGULAR SERVICE PERIOD(1) Perform at every indicated month or operating hour interval, whichever occurs first.		EACH USE	FIRST MONTH OR 20HRS	EVERY 3 MONTHS OR 50HRS	EVERY 6 MONTHS OR 100 HRS	EVERY YEAR OR 300 HRS
ITEM						
Engine oil	Check	○				
	Change		○		○	
Air cleaner	Check	○				
	Clean			○ (2)		
Spark plug	Clean-adjust				○	
Spark arrester	Clean				○	
Fuel sediment cup	Clean				○	
Valve clearance	Check-adjust					○ (3)
Fuel tank and strainer	Clean					○ (3)
Fuel line	Check	Every 2 years (Replace if necessary)(3)				

NOTE:

- (1) Log hours of operation to determine proper maintenance.
- (2) Service more frequently when used in dusty areas.
- (3) These items should be serviced by an authorized dealer, unless the owner has the proper tools and is mechanically proficient. See the shop Manual.

5. Move the choke lever to the RUN position after the engine warms up.



⚠ CAUTION

■ If the engine stops and will not restart, check the engine oil level before troubleshooting in other areas.

High altitude operation

At high altitude, the standard carburetor air-fuel mixture will be excessively rich. Performance will decrease, and fuel consumption will increase.

High altitude performance can be improved by installing a smaller diameter main fuel jet in the carburetor and readjusting the pilot screws. If you always operate the generator at altitudes higher than 1,500m (5,000 feet) above sea level, have your authorized dealer perform these carburetor modifications.

Even with suitable carburetor jetting, engine horsepower will decrease approximately 3.5% for each 305m (1,000 feet) increase in altitude. The affect of altitude on the horsepower will be greater than this if no carburetor modification is made.

⚠ CAUTION

■ Operation of the generator at an altitude lower than the carburetor is jetted for may result in reduced performance, overheating, and serious engine damage caused by an excessively lean air/fuel.

6. GENERATOR USE

⚠ WARNING

- To prevent electrical shock from faulty appliances, the generator should be grounded. Connect a length of heavy wire between the generator's ground terminal and an external ground source.
- Connections for standby power to a building's electrical system must be made by a qualified electrician and must comply with all applicable laws and electrical codes. Improper connections can allow electrical current from the generator to backfeed into the utility lines. Such backfeed may electrocute utility company workers or others who contact the lines during a power outage, and when utility power is restored, the generator may explode, burn, or cause fires in the building's electrical system.

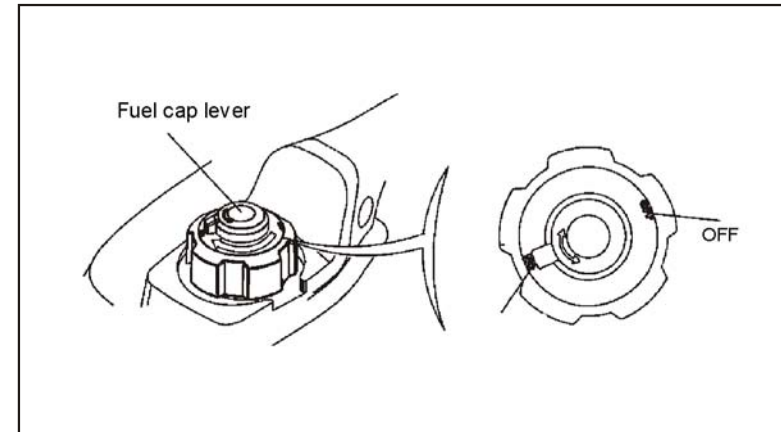
⚠ CAUTION

- Maximum power would be available for the first 30 minutes.
For continuous operation, do not exceed the rated power.
- Do not exceed the current limit specified for any one receptacle.
- Do not connect the generator to a household circuit. This could cause the damage to the generator or to electrical appliances in the house.
- Do not modify or use the generator for other purposes than it is intended for. Also observe the following when using the generator.
 - A. Do not connect generators in parallel.
 - B. Do not connect an extension to the exhaust pipe.
- When an extension cable is required, be sure to use a tough rubber sheathed flexible cable. (IEC245)
- Limit length of extension cables: less than 60 m for cables if 1.5 mm² and less than 100m for cables of 2.5 mm².
- Keep the generator away from other electric cables or wires such as commercial power supply lines.

⚠ CAUTION

- Electrical equipment (including electrical lines and plugs connection) could not be defective.

3. Turn the cap lever fully counterclockwise to the "OFF" position



⚠ CAUTION

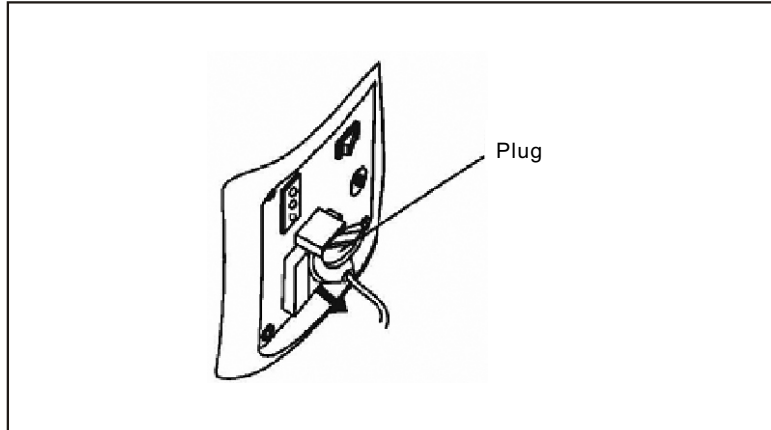
- Be sure the fuel cap lever, choke and the engine switch are "OFF" when stopping, transporting and/or storing the generator.

7. STOPPING THE ENGINE

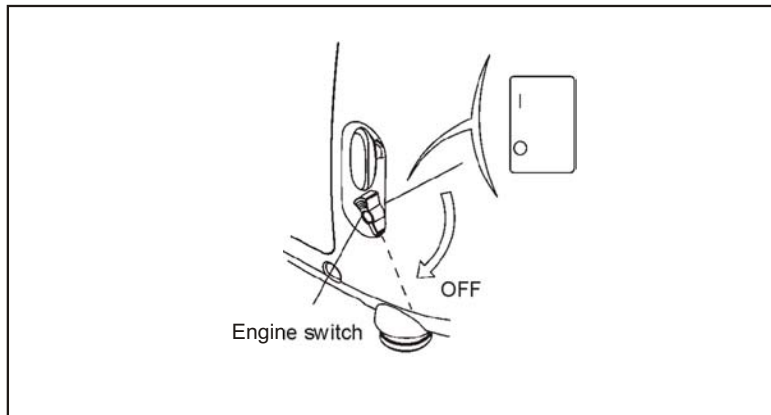
To stop the engine in an emergency, turn the engine switch to the OFF position.

IN NORMAL USE:

1. Switch off the connected equipment and pull the inserted plug.

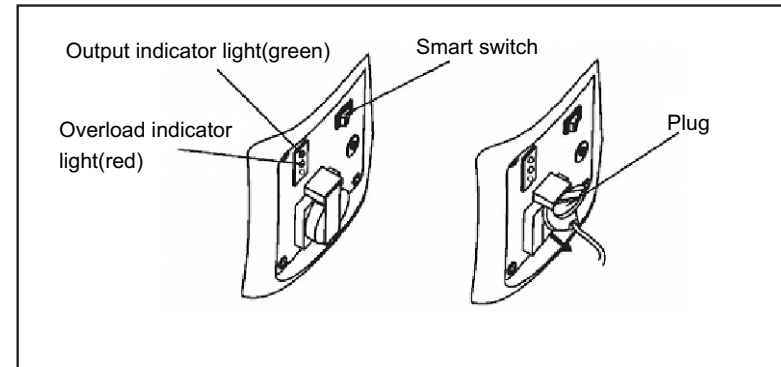


2. Turn the engine switch to the OFF position.



AC applications

1. Start the engine and make sure the output indicator light (green) comes on.
2. Confirm that the appliance to be used is switched off, and plug in the appliance.



⚠ CAUTION

■ Be sure that all appliances are in good working order before connecting them to the generator. If an appliance begins to operate abnormally, becomes sluggish, or stops suddenly, turn off the generator engine switch immediately. Then disconnect the appliance, and examine it for signs of malfunction.

3. In order to acquire both the best effect and the maximum service life of the generator. Usually, the new generator should run 20 hours under 50% load, the generator may reach the best performance.

Output and Overload Indicators

The output indicator light(green) will remain ON during normal operating conditions.

If the generator is overloaded (in excess of 1.0kVA), or if there is a short in the connected appliance, the output indicator light(green) will go OFF, the overload indicator light(red) will go ON and current to the connected appliance will be shut off.

Stop the engine if the overload indicator light (red) comes ON and investigate the overload source.

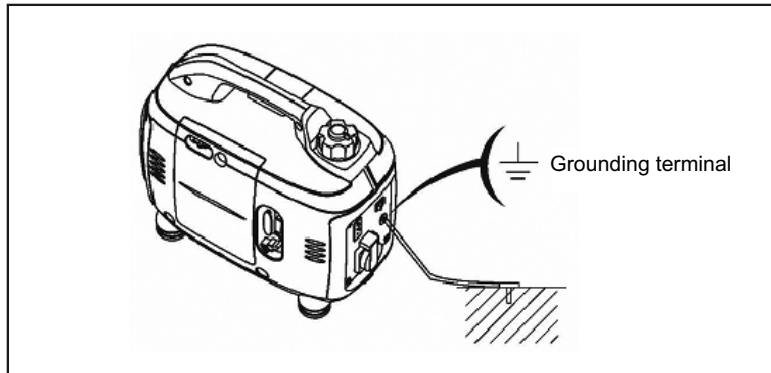
⚠ CAUTION

■ Before connecting an appliance to the generator, check that it is in good order, and that its electrical rating does not exceed that of the generator. Then connect the power cord of the appliance, and start the engine.

⚠ CAUTION

■ Indicator lights (both red and green) may come ON during generator starting. It is normal if the red indicator light goes off after 4 seconds, if not, please contact your dealer.

1. Connect the ground terminal.



2. Start each engine according to "STARTING THE ENGINE".

■ When the output indicator light(green) does not light and the overload indicator light (red) lights instead, set the engine switch to STOP, stop the engine at once and then start the engine again.

3. Confirm that the equipment to be used is switched off, and insert the plug of the equipment to be used into the AC receptacle

⚠ CAUTION

■ Confirm that the use equipment to be connected is switched off. When the equipment to be used is switched on, it will operate suddenly, and injuries or accidents may be caused.

4. Switch on the equipment to be used.

In case of overload operation or when trouble occurs for the equipment being used, the output indicator light(green) will go out, the overload indicator light(red) will light continuously, and no power will be put out.

At this time, the engine will not stop, so that the engine must be stopped by setting the respective engine switch to STOP.

⚠ CAUTION

■ When equipment requiring a large starting power, like a motor etc., is used, the overload indicator light (red) and the output indicator light(green) may light together for a short time (about 4 sec), but this is no abnormality. After start of the equipment, the overload indicator light (red) will go out and the output indicator light(green) will stay lit.

Low oil alarm system

The Low oil alarm system is designed to prevent engine damage caused by an insufficient amount of oil in the crankcase. Before the oil level in the crankcase falls below a safe limit, the Low oil alarm system will automatically shut down the engine (the engine switch will remain in the ON position).

If the low oil alarm system shuts down the engine, the low oil alarm indicator light(red) will come on when you operate the starter, and the engine will not run. If this occurs, add engine oil.

