

# POULANPRO®

## Parts Manual

P46ZX

967 649601-00

Read the operator manual carefully  
and make sure you understand  
the instructions before using the machine.



For spare parts or support in service questions, warranty issues, etc., consult the following professional:

This manual belongs to the machine with the manufacturing number:	Engine	Transmission

## Manufacturing Number

*The machine's manufacturing number can be found on the printed plate affixed to the engine compartment.*

Stated on the plate, from the top are:

- The machine's type designation (I.D.).
- The manufacturer's type number (Model).
- The machine's serial number (Serial no.)

*Please have the type designation and serial number available when ordering spare parts.*

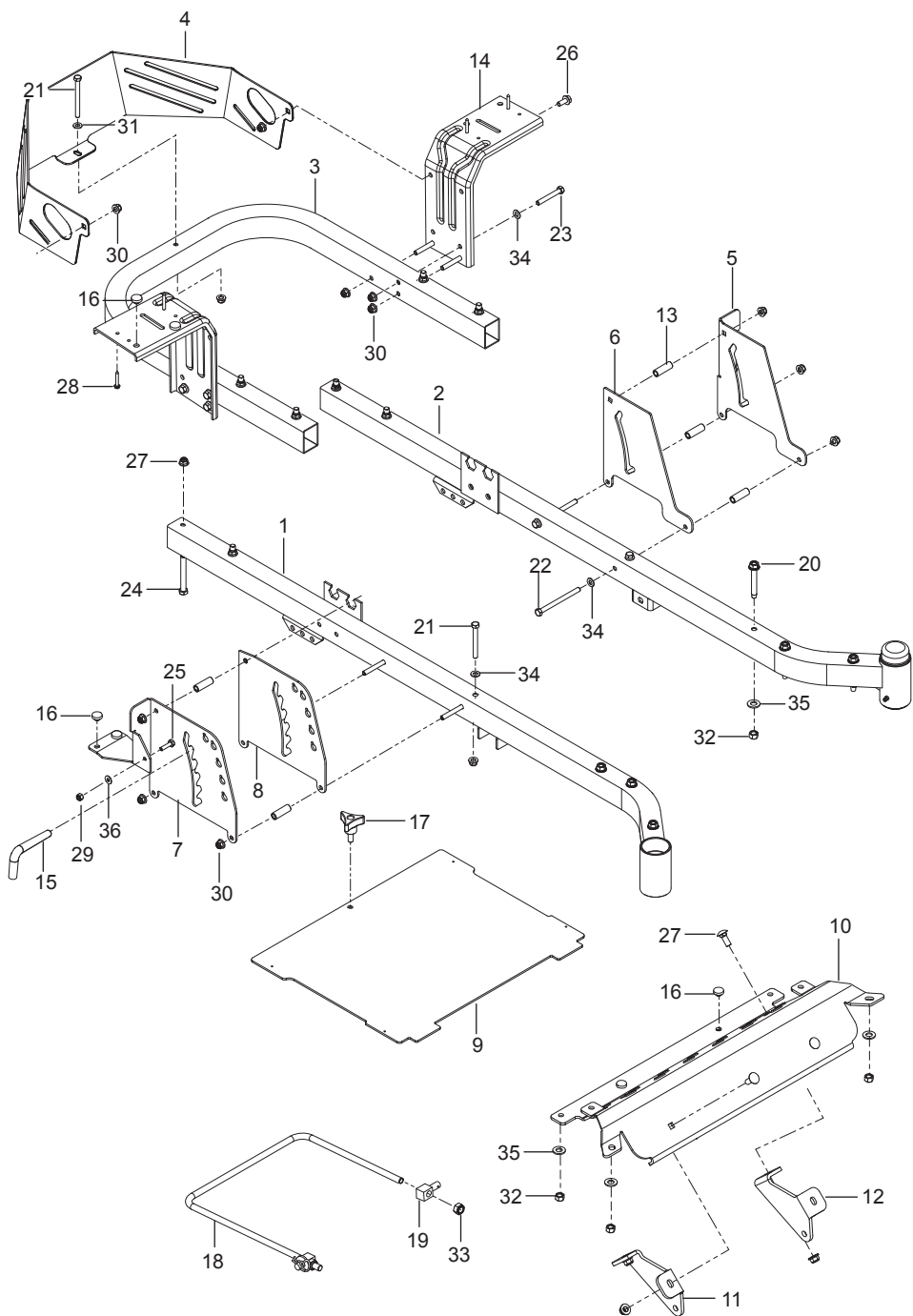
## CONTENTS

FRAME .....	4
ENGINE MOUNTING, GUARDS & MUFFLER .....	6
STEERING .....	8
IGNITION SYSTEM.....	10
BRAKE / LIFT .....	12
HYDRAULIC PUMP-MOTOR.....	14
WHEELS & TIRES .....	16
MOWER DECK / CUTTING DECK .....	18
SEAT .....	20
DECALS .....	22

Illustrations may or may not represent the actual assemblies and it is not recommended to use this manual as a guide to assemble or disassemble the mower.

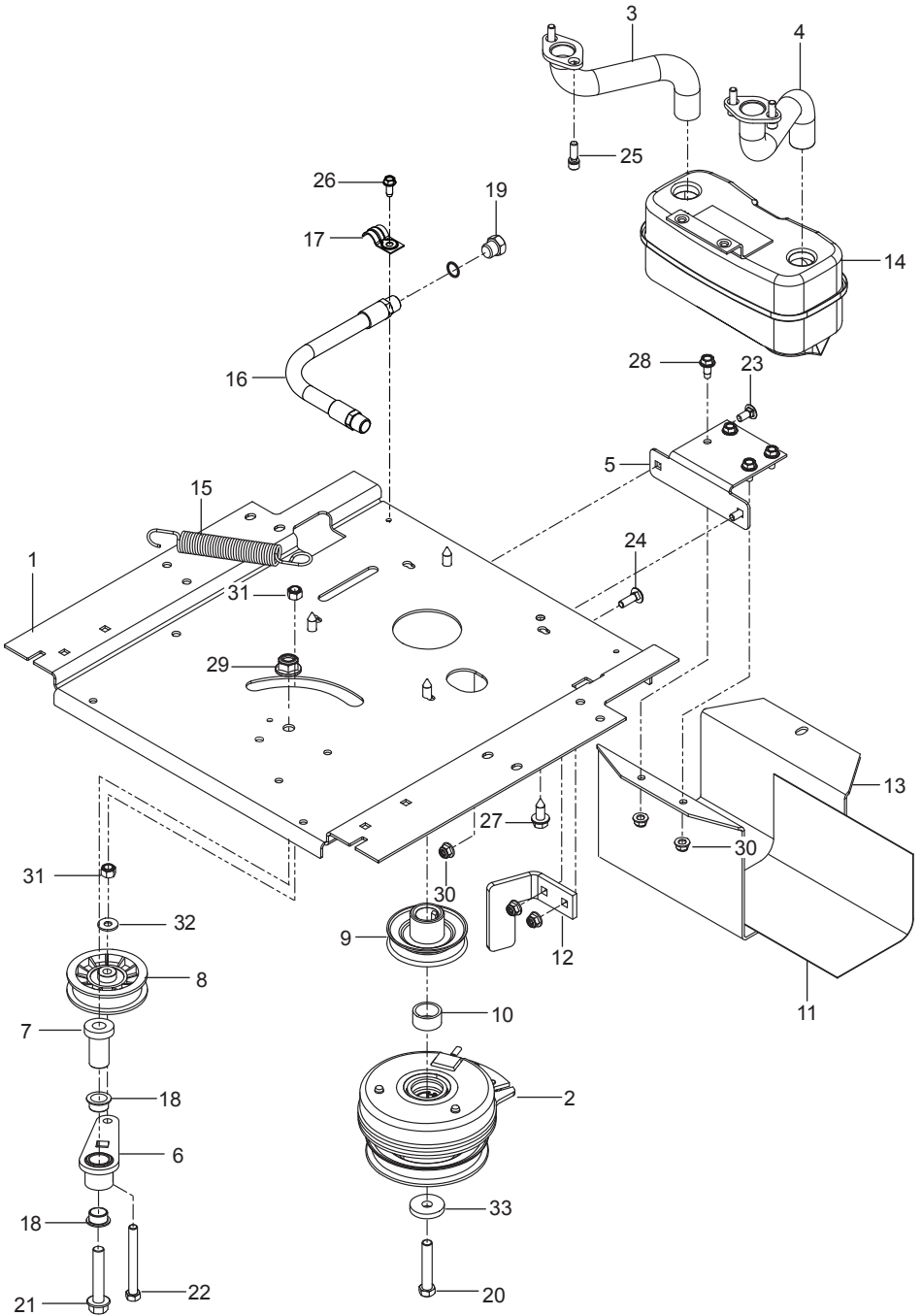
NOTE: All fasteners are Grade 5 unless otherwise specified.

# FRAME



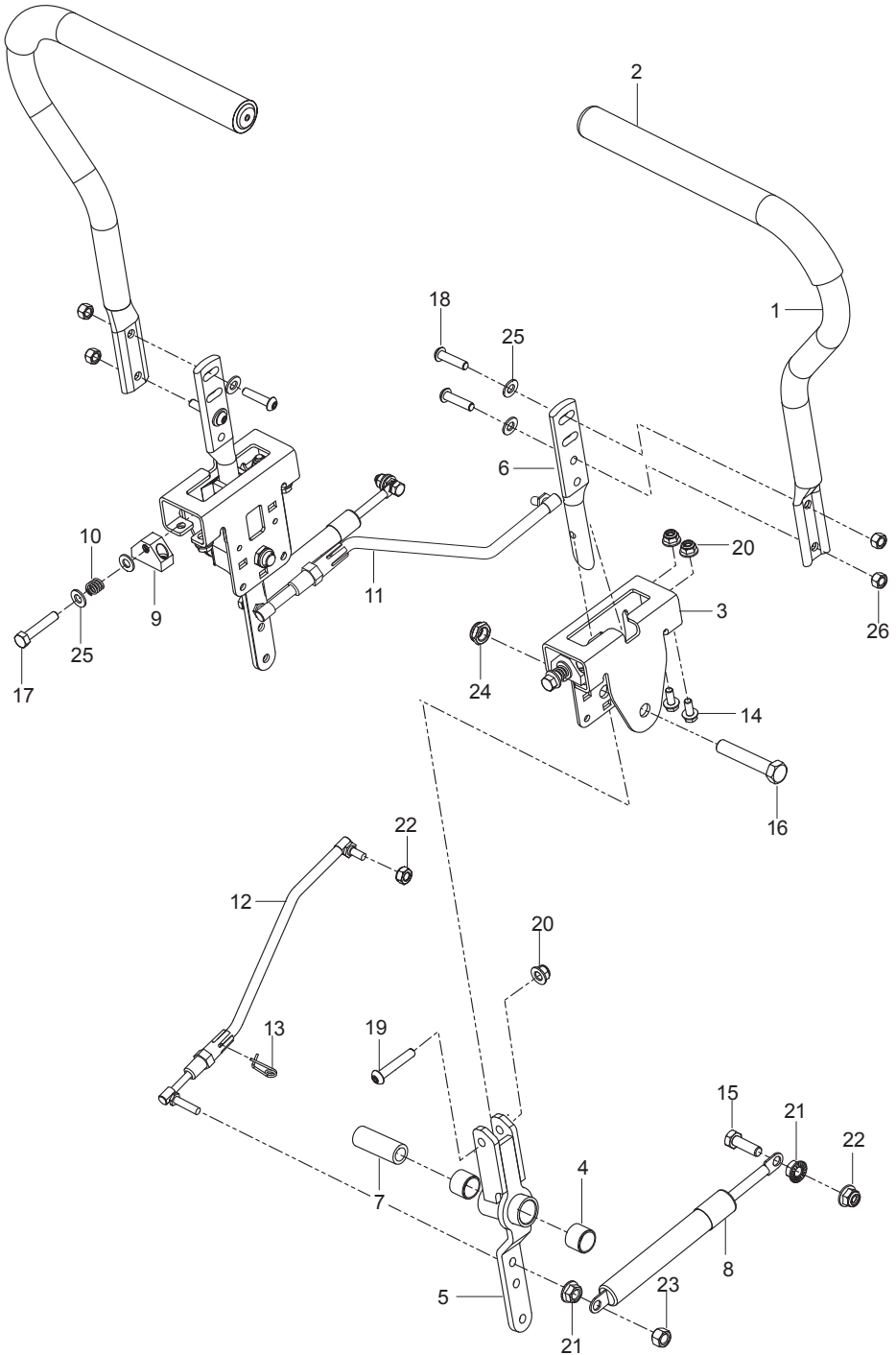
Ref.	Part No.	Qty	Description
1	510 17 75-02	1	Frame, Front Right Black
2	510 17 74-02	1	Frame, Front Left Black
3	586 44 10-02	1	Frame, Rear Tube Black
4	586 21 44-03	1	Guard, Rear Black
5	510 26 18-02	1	Plate, Outer Brake Black
6	510 20 67-03	1	Plate, Brake Latch Black
7	580 52 80-02	1	Plate, Lift Outer Black
8	510 24 05-02	1	Plate, Lift Inner Black
9	522 84 29-05	1	Plate, Foot Black w/ Safety Decal
10	522 74 07-03	1	Foot Rest Black
11	581 22 28-02	1	Mount, Strut Right Black
12	581 22 29-02	1	Mount, Strut Left Black
13	580 48 61-01	6	Spacer
14	580 50 13-02	1	Support, Fender Black
15	510 01 65-03	1	Pin, Lift
16	539 10 25-87	6	Grommet, Rubber
17	539 10 44-11	1	Knob w/ Stud
18	521 93 81-01	1	Link, Front Suspension
19	581 51 43-01	2	Swivel
20	874 49 06-44	6	Bolt 3/8-16 x 2-3/4 Hex Flange Head
21	874 78 05-44	3	Bolt 5/16-18 x 2-3/4 Hex Head
22	874 78 05-64	4	Bolt 5/16-18 x 4 Hex Head
23	874 78 05-36	6	Bolt 5/16-18 x 2-1/4 Hex Head
24	874 78 06-48	8	Bolt 3/8-16 x 3 Hex Head
25	874 78 04-16	2	Bolt 1/4-20 x 1 Hex Head
26	874 49 05-12	2	Bolt 5/16-18 x 3/4 Hex Flange Head
27	872 14 06-08	4	Bolt 3/8-16 x 1 Round Head Square Neck
28	539 11 06-74	4	Screw #10-12 x 1-1/4
29	873 80 04-00	2	Nut 1/4-20 Hex Nyloc
30	539 11 28-99	17	Nut 5/16-18 Hex Flange Nyloc
31	521 99 65-01	12	Nut 3/8-16 Hex Flange Nyloc
32	539 20 02-82	6	Nut 3/8-16 Hex Jam Nyloc
33	539 11 91-24	2	Nut 7/16-14 Hex Nyloc
34	819 11 11-16	13	Washer 5/16 SAE Flat
35	819 14 16-14	6	Washer 3/8 Std Flat
36	819 09 10-16	2	Washer 1/4 SAE Flat

# ENGINE MOUNTING, GUARDS & MUFFLER



Ref.	Part No.	Qty	Description
1	588 01 71-02	1	Plate, Engine Black
2	585 52 11-01	1	Clutch
3	583 95 48-01	1	Tube, Exhaust Right
4	583 95 45-01	1	Tube, Exhaust Left
5	581 88 67-02	1	Bracket, Muffler Black
6	532 44 81-45	1	Arm, Idler
7	582 53 89-01	1	Spindle, Idler
8	539 11 03-11	1	Pulley, Idler
9	587 53 74-01	1	Pulley, Engine
10	587 66 01-01	1	Spacer
11	539 13 28-59	1	Shield, Muffler
12	510 24 60-02	1	Stop, Clutch Black
13	587 45 12-02	1	Guard, Muffler Black
14	539 13 16-04	1	Muffler Assembly
15	532 19 61-05	1	Spring, Deck Drive
16	584 82 55-01	2	Assy, Drain Hose
17	539 10 13-63	1	Clamp
18	501 60 37-01	2	Bearing, Flanged
19	585 80 71-01	1	Plug, Oil
20	581 33 28-03	1	Bolt 7/16-20 x 2-1/2 Hex Head
21	582 53 95-01	1	Bolt 1/2-13 x 2-3/4 Hex Flange Head
22	874 52 06-56	1	Bolt 3/8-16 x 3-1/2 Hex Head
23	872 14 05-06	2	Bolt 5/16-18 x 3/4 Round Head Square Neck
24	872 14 05-08	2	Bolt 5/16-18 x 1 Round Head Square Neck
25	532 19 23-34	4	Screw 5/16-18 x 3/4 Socket Head
26	817 49 04-10	1	Screw 1/4-20 X 5/8 Thread Form
27	817 12 06-16	4	Screw 3/8-16 x 1 Thread Form
28	817 49 05-12	4	Screw 5/16-18 x 3/4 Thread Form
29	521 99 11-01	1	Nut 1/2-13 Hex Flange Nyloc
30	539 11 28-99	5	Nut 5/16-18 Hex Flange Nyloc
31	539 97 69-79	2	Nut 3/8-16 Hex Nyloc
32	819 12 14-14	2	Washer 5/16 Std Flat
33	532 12 61-97	1	Washer, Clutch
	NOT SHOWN		
	-----	1	Engine, Kohler KT725 22 HP For Engine Replacement Parts, See a Kohler Dealer

# STEERING



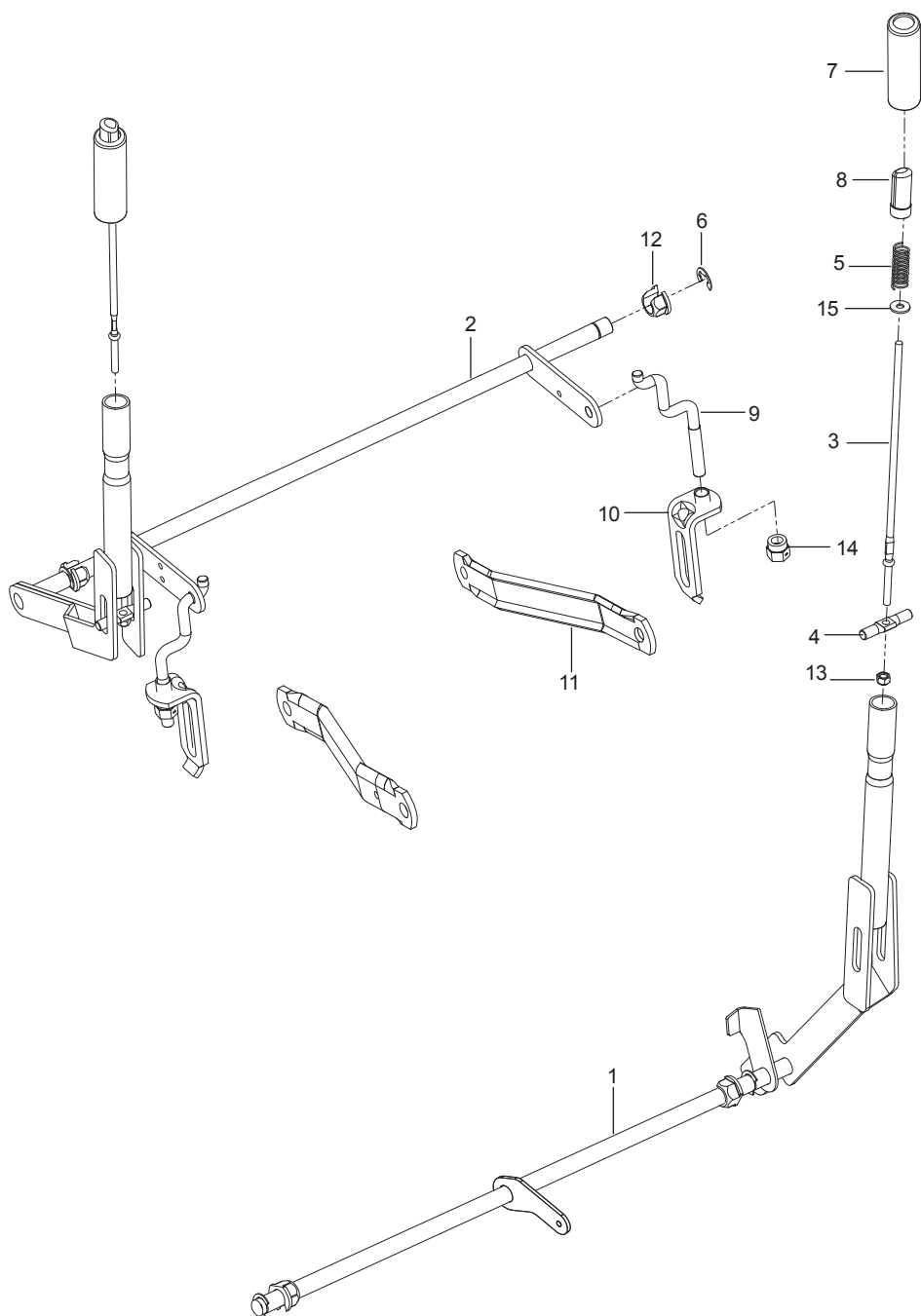


Ref.	Part No.	Qty	Description
1	581 82 67-03	2	Lever w/ Grip
2	525 39 29-01	2	Grip, Foam
3	585 12 47-05	2	Bracket, Control
4	532 43 82-82	4	Bearing
5	587 18 77-01	2	Lever, Control
6	577 42 00-01	2	Lever, Handle
7	584 92 72-01	2	Spacer, Pivot Control
8	539 10 27-20	2	Dampener
9	581 43 75-01	2	Block, Tracking
10	539 10 28-45	2	Spring
11	588 60 49-01	2	Assy, Right Control Linkage
12	588 60 50-01	2	Assy, Left Control Linkage
13	532 19 98-49	2	Clip, Spring
14	874 49 05 12	8	Bolt 5/16-18 x 3/4 Hex Flange Head
15	874 78 05-16	2	Bolt 5/16-18 x 1 Hex Head
16	874 78 08 44	2	Bolt 1/2-13 x 2-3/4 Hex Head
17	874 78 05-24	2	Bolt 5/16-18 x 1-1/2 Hex Head
18	578 29 64-03	4	Screw 5/16-18 x 1-1/4 Button Head
19	587 88 53-01	2	Screw 5/16-18 x 1-3/4 Button Head
20	539 11 28-99	12	Nut 5/16-18 Hex Flange Nyloc
21	539 99 05-85	4	Nut 5/16-18 Hex Whiz Lock
22	539 11 56 17	2	Nut 5/16-18 Thin Nyloc
23	873 80 05-00	2	Nut 5/16-18 Hex Nyloc
24	539 10 80-10	2	Nut 1/2-13 Hex Jam Nyloc Grade 2
25	819 11 11-16	6	Washer 5/16 SAE Flat



Ref.	Part No.	Qty	Description
1	578 17 90-02	1	Fender, Right Black
2	576 37 05-01	1	Fender, Left Black
3	578 18 06-04	1	Assy, Fuel Tank
4	585 12 48-02	1	Cap, Fuel w/ Tether
5	539 10 27-32	1	Cable, Throttle
6	584 97 18-01	1	Control, Choke
7	539 10 75-41	1	Switch, Ignition
8	582 10 76-02	1	Switch, Clutch
9	532 10 95-53	2	Switch, NC
10	532 19 78-02	1	Switch, Brake
11	584 25 46-02	1	Panel, Control
12	539 10 24-36	1	Battery
13	510 03 00-03	1	Bracket, Battery
14	582 60 96-02	1	Box, Battery Black
15	532 13 15-63	3	Terminal Cover
16	539 10 27-59	1	Insulator
17	576 61 81-01	1	Valve, Fuel Check
18	582 04 28-01	1	Solenoid
19	539 13 30-49	1	Knob
20	539 10 52-45	1	Grommet, Rubber
21	576 61 82-01	1	Grommet, Check Valve
22	539 11 04-32	1	Elbow
23	576 37 11 01	1	Lens, Left
24	576 37 09-01	1	Rim, Left
25	576 37 12-01	1	Lens, Right Black
26	576 37 10-01	1	Rim, Right Black
27	586 12 39-04	1	Assy, Fuel Line
28	587 04 45-20	1	Hose 3/16" Vapor 20"
29	522 55 91-01	1	Shield, Heat
30	586 16 18-01	1	Meter, Service
31	588 83 94-01	1	Hook, J
32	581 22 30-01	2	Plate, Tapped
33	586 10 81-01	1	Cable, Negative Black
34	586 10 82-01	1	Cable, Positive Red
35	817 49 04-08	2	Screw 1/4-20 x 1/2 Hex Self Tap
36	539 11 06-73	2	Screw 10-24 x 3/4 Washer Head
37	539 11 12-29	1	Screw 1/4-20 x 5/8 Button Socket
38	574 82 27-01	4	Screw 10-24 x 3/4 Socket Head
39	872 14 05-06	2	Bolt 5/16-18 x 3/4 Round Head Square Neck
40	872 14 06-08	2	Bolt 3/8-16 x 1 Round Head Square Neck
41	874 32 10-08	2	Bolt 10-24 x 1/2 Hex Head
42	521 99 65-01	2	Nut 3/8-16 Hex Flange Nyloc
43	539 97 69-77	2	Nut 10-24 Hex Nyloc
44	873 80 04-00	5	Nut 1/4-20 Hex Nyloc
45	539 11 28-99	2	Nut 5/16-18 Hex Flange Nyloc
46	539 99 00-53	1	Washer 1/4 Internal Lock
	NOT SHOWN		
	585 72 77-01	1	Harness, Wiring
	532 14 04-01	1	Key, Ignition

# BRAKE / LIFT

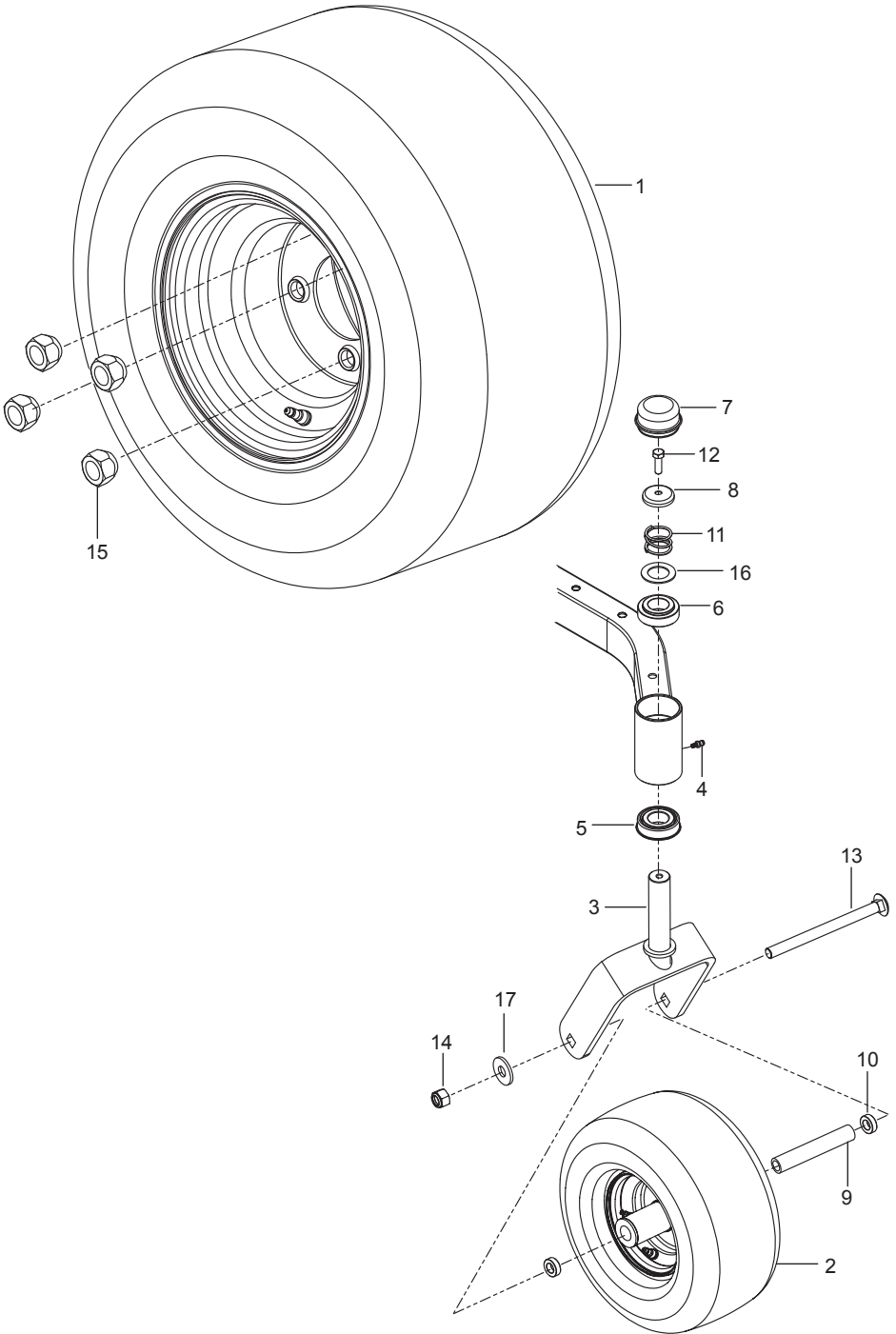


Ref.	Part No.	Qty	Description
1	580 43 58-01	1	Shaft, Brake
2	586 76 02-02	1	Shaft, Lift
3	510 42 29-01	2	Rod, Handle Release
4	580 96 04-01	2	Rod, Latch Release
5	510 03 07-01	2	Spring, Compression
6	812 00 00-02	3	E-Ring
7	510 20 72-01	2	Grip, Handle
8	510 20 73-01	2	Button, Push
9	525 84 72-01	2	Link, Rear Suspension
10	522 85 86-01	2	Bracket, Centering Link
11	532 19 51-85	2	Arm, Suspension
12	510 18 49-01	4	Nut, Plastic
13	873 80 04-00	2	Nut 1/4-20 Hex Nyloc
14	532 17 59-94	2	Nut, Lift Link
15	819 09 12-16	1	Washer 1/4 Flat



Ref.	Part No.	Qty	Description
1	510 37 56-01	1	EZT, Left
2	510 37 56-02	1	EZT, Right
3	574 03 05-01	1	Rod, EZT Brake Left
4	574 03 05-02	1	Rod, EZT Brake Right
5	539 11 04-11	1	Belt, EZT
6	539 11 03-42	2	Spring, Brake Rod
7	539 12 00-80	2	Cog, Brake Disc
8	539 12 00-79	2	Assembly Kit, Brake Arm
9	575 50 70-01	1	Assembly Kit, Hub w/ Nuts
10	501 40 36-02	2	Assembly Kit, Blade, Pulley
11	522 94 11-01	2	Link Arm, Bypass
12	510 18 41-04	2	Spacer Tube
13	580 80 65-02	2	Support, EZT Front
14	580 80 66-02	2	Mount, EZT Rear Black
15	539 97 69-88	1	Pin
16	874 78 05-44	4	Bolt 5/16-18 x 2-3/4 Hex Head
17	874 78 05-12	2	Bolt 5/16-18 x 3/4 Hex Head
18	874 78 05-36	2	Bolt 5/16-18 x 2-1/4 Hex Head
19	874 78 06-40	4	Bolt 3/8-16 x 2-1/2 Hex Head
20	874 81 10-12	1	Screw 10-24 x 3/4 Slotted Round Head
21	873 80 05-00	8	Nut 5/16-18 Hex Nyloc
22	873 80 04-00	2	Nut 1/4-20 Hex Nyloc
23	539 97 69-77	1	Nut 10-24 Hex Nyloc
24	819 13 13-16	8	Washer 3/8 SAE Flat
25	819 09 10-16	4	Washer 1/4 SAE Flat
26	819 11 11-16	14	Washer 5/16 SAE Flat
27	539 99 01-18	4	Washer 3/8 Split Lock

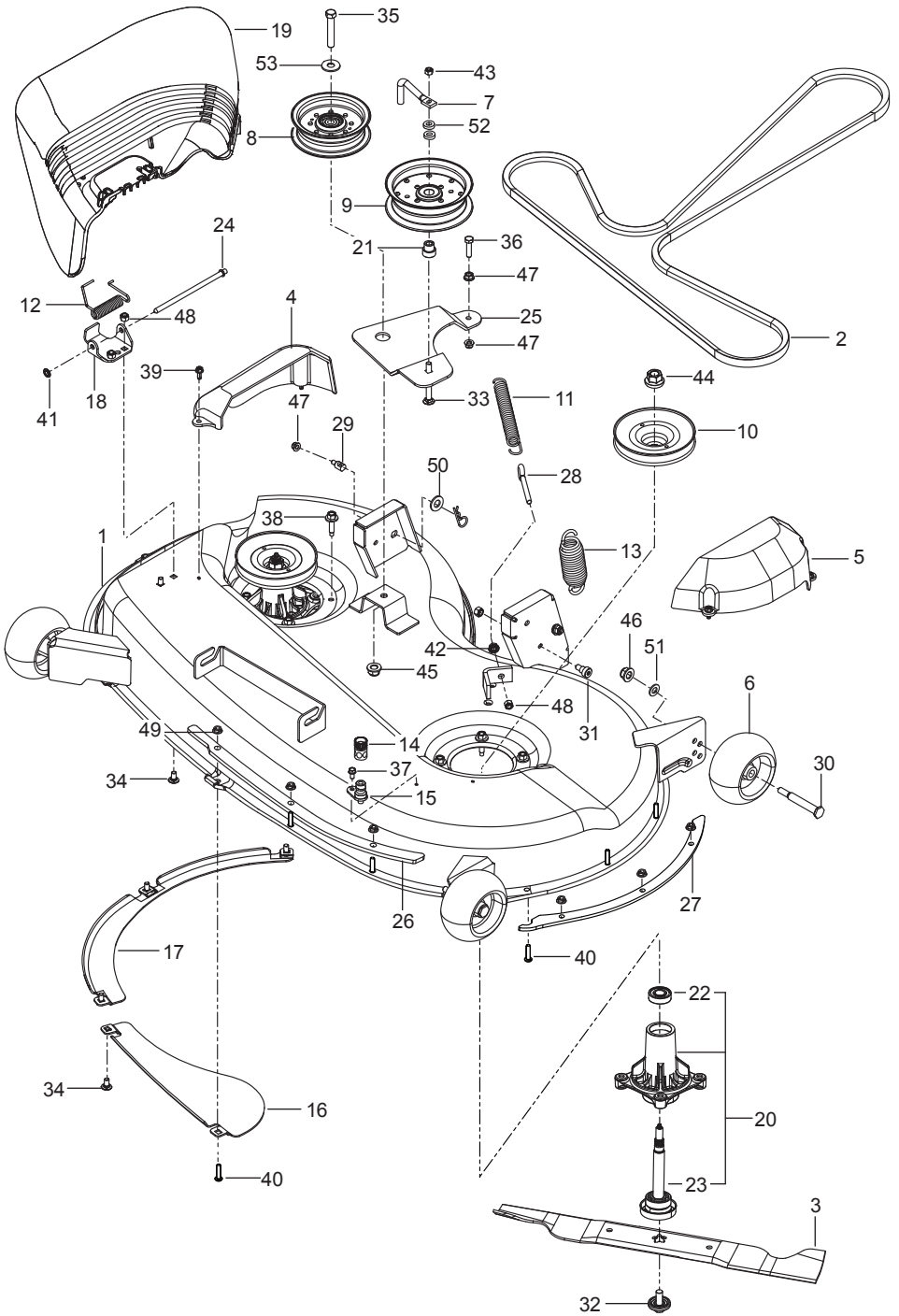
# WHEELS & TIRES



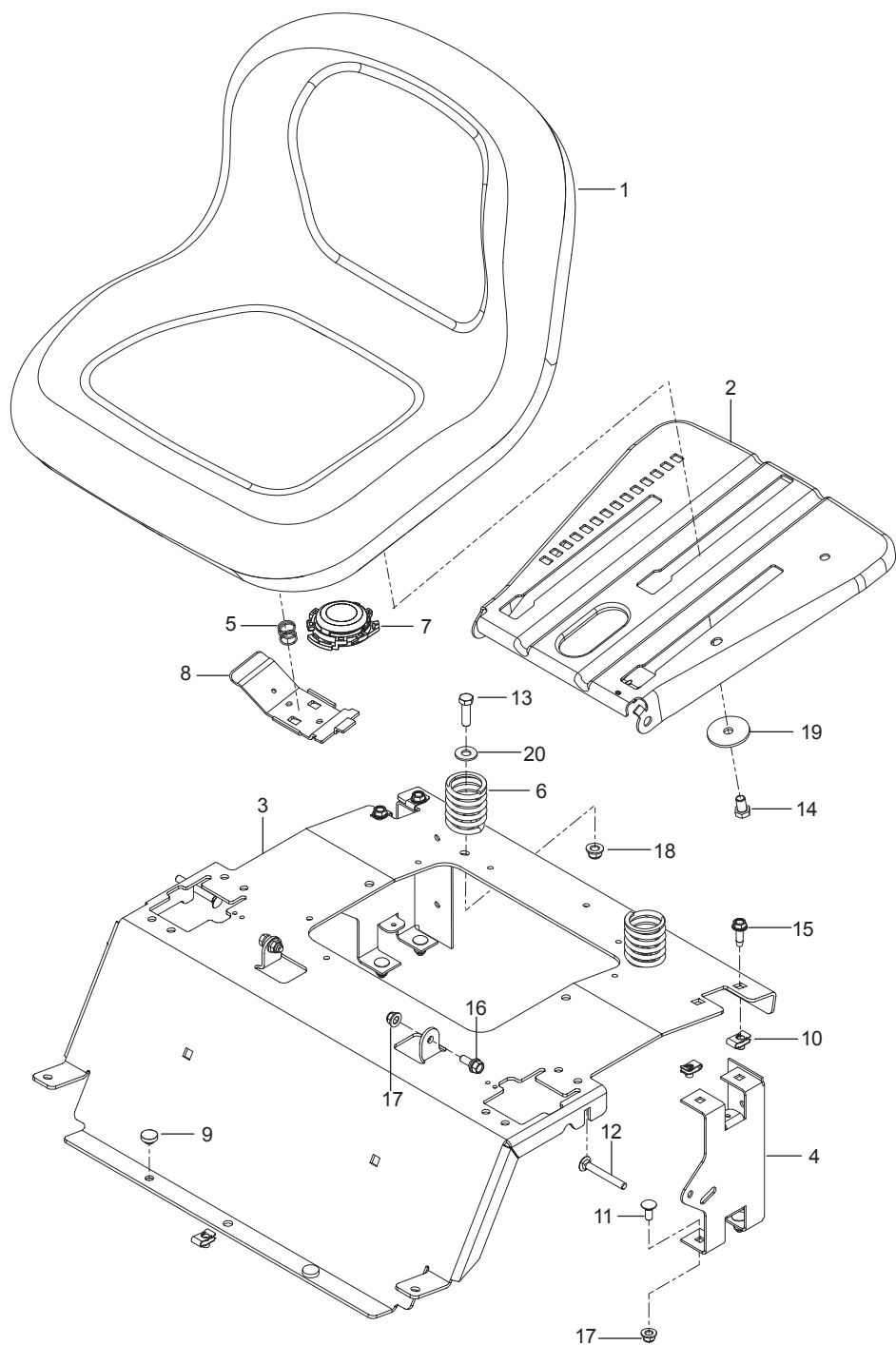


Ref.	Part No.	Qty	Description
1	581 19 87-02	2	Assy, Wheel Rear 18 x 8.5-8
2	581 19 92-02	2	Wheel Assy Caster 11 x 4-5
3	510 18 65-02	2	Yoke Black
4	539 11 56-38	2	Zerk 3/16 Drive
5	539 11 26-60	2	Bearing, Flanged
6	539 11 79-01	2	Bushing, Caster
7	539 10 25-35	2	Grease Cap
8	539 11 57-49	2	Plug, Caster
9	539 10 55-43	2	Spacer, Pivot
10	581 26 92-01	4	Spacer
11	539 11 57-47	2	Spring, Caster
12	874 95 05-16	2	Bolt, Hex 5/16-18 x 1 w/ Nylon Patch
13	721 40 81-04	2	Bolt 1/2-13 x 6-1/2 Round Head Square Neck
14	873 93 08-00	2	Nut 1/2-13 Hex Center Lock
15	539 10 11-73	8	Nut 1/2 Lug
16	539 11 56-75	2	Washer
17	819 18 22-12	2	Washer 9/16

# MOWER DECK / CUTTING DECK

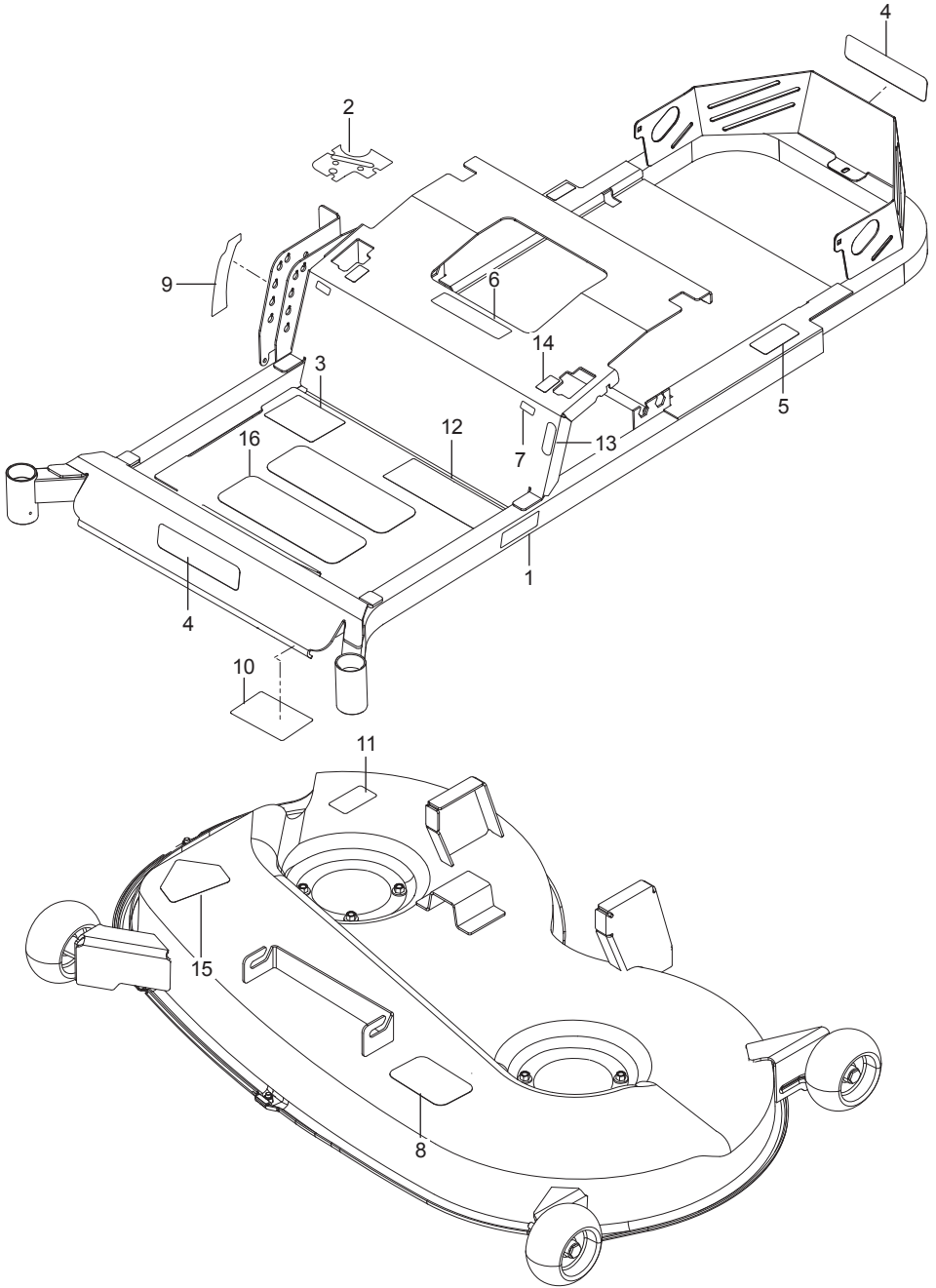


Ref.	Part No.	Qty	Description
1	522 74 52-02	1	Deck w/ Safety Decals Black
2	539 11 72-45	1	Belt, Deck
3	532 40 53-80	2	Blade, Hi-Lift
4	532 40 55-06	1	Shield, Belt Right
5	532 40 55-07	1	Shield, Belt Left
6	532 17 48-73	3	Wheel, Gauge
7	522 62 97-01	1	Keeper, Belt
8	532 19 61-04	1	Pulley, Idler
9	539 13 27-28	1	Pulley, Idler
10	539 11 39-62	2	Pulley, Deck
11	588 09 65-01	1	Spring, Deck Belt
12	532 17 81-02	1	Spring, Torsion
13	539 11 87-62	1	Spring
14	532 41 64-05	1	Coupling, Connect
15	532 41 55-98	1	Port, Washout
16	532 40 31-49	1	Baffle, Front
17	532 40 31-50	1	Baffle, Front Right
18	532 19 25-57	1	Bracket, Deflector
19	532 40 53-57	1	Shield, Deflector
20	587 12 52-01	2	Mandrel
21	539 11 20-76	1	Bushing, Idler
22	585 32 39-01	1	Bearing
23	587 25 56-01	1	Shaft
24	532 13 14-91	1	Rod, Hinge
25	588 09 64-02	1	Arm, Idler
26	589 48 18-05	1	Plate Front
27	589 48 20-05	1	Plate, Side
28	539 11 55-74	1	Eyebolt 5/16 x 3-1/2
29	532 19 51-61	2	Stud w/ Anti- Rotate
30	532 19 34-06	3	Bolt 3/8-16 x 3-5/8 Shoulder
31	539 11 36-21	2	Bolt 3/8-16 x 3/8 Shoulder
32	584 30 93-01	2	Bolt, Washer
33	872 11 06-18	1	Bolt 3/8-16 x 2-1/4 Round Head Square Neck
34	872 14 05-06	6	Bolt 5/16-18 x 3/4 Round Head Square Neck
35	874 78 07-40	1	Bolt 7/16-14 x 2-1/2 Hex Head
36	874 78 05-20	1	Bolt 5/16-18 x 1-1/4 Hex Head
37	539 99 10-34	1	Screw 10-24 x 5/8 Washer Head
38	584 95 39-01	8	Bolt 5/16-18 Washer Head
39	532 13 77-29	4	Screw 1/4-20 x 5/8 Thread Roll
40	539 10 98-00	6	Bolt 1/4-20 Round Head Square Neck
41	532 11 04-52	1	Pushnut
42	539 99 05-85	2	Nut 5/16-18 Hex Whiz Lock
43	539 20 02-82	3	Nut 3/8-16 Hex Jam Nyloc
44	532 40 02-34	2	Nut 9/16 Top Center Lock
45	873 90 07-00	1	Nut 7/16-14 Hex Nyloc
46	873 90 06-00	3	Nut 3/8-16 Flange Lock
47	539 11 28-99	3	Nut 5/16-18 Hex Flange Nyloc
48	873 80 05-00	8	Nut 5/16-18 Hex Nyloc
49	873 90 04-00	6	Nut 1/4-20 Hex Flange
50	819 21 21-13	2	Washer 5/8 SAE Flat
51	819 13 20-12	3	Washer 12 Gauge
52	539 10 95-62	2	Washer 3/8
53	539 10 48-64	1	Washer 7/16



Ref.	Part No.	Qty	Description
1	532 40 66-25	1	Seat
2	587 23 20-02	1	Pan, Seat
3	589 48 12-04	1	Plate, Seat Support Black
4	580 30 82-02	2	Support, Seat Rear Black
5	532 19 82-00	1	Spring, Latch
6	589 48 35-01	2	Spring, Seat
7	539 13 21-40	1	Switch, Seat
8	532 19 76-61	1	Handle, Slide
9	539 10 25-87	2	Grommet, Bumper
10	539 10 47-63	5	Retainer, U Type
11	872 14 05-06	4	Bolt 5/16-18 x 3/4 Round Head Square Neck
12	510 42 27-01	2	Bolt 5/16-18 x 2-1/2 Round Head Square Neck
13	874 78 06-20	2	Bolt 3/8-16 x 1-5/8 Hex Head
14	539 10 85-03	1	Bolt 3/8-16 x 5/8 Hex Head
15	817 49 05-12	4	Screw 5/16-18 x 3/4 Thread Form
16	539 11 03-03	2	Bolt 5/16-18 Shoulder
17	539 11 28-99	6	Nut 5/16-18 Hex Flange Nyloc
18	521 99 65-01	2	Nut 3/8-16 Hex Flange Nyloc
19	539 11 18-97	1	Washer 3/8 Special
20	819 14 16-14	2	Washer 3/8 Std Flat
NOT SHOWN - OPTIONAL			
	532 42 14-99	1	Kit, Arm Rest

# DECALS



Ref.	Part No.	Qty	Description
1	587 61 23-01	1	Decal, P46ZX
2	582 68 23-01	1	Decal, Console PoulanPro
3	587 49 41-01	1	Decal, Start
4	582 67 74-01	1	Decal, Brand
5	539 10 83-85	1	Decal, Do Not Tow
6	539 10 57-45	1	Decal, Battery Warning
7	501 26 12-01	2	Decal, Tracking
8	510 24 02-01	1	Decal, Belt Routing
9	587 60 88-01	1	Decal, Height Adjust
10	539 10 98-97	1	Decal, Service
11	539 11 57-17	1	Decal, Deflector
12	583 93 40-01	1	Decal, Warning
13	501 26 13-01	2	Decal, Park Brake
14	587 60 90-01	2	Decal, Motion Control
15	584 90 46-01	1	Decal, Danger Belt Drive
16	539 97 77-78	2	Pad, Abrasive

**poulanpro.com**

115 86 68-27 Rev A  
2016-11-15