



Parts Manual

MZ 52

967 277401-02

Please read the operator manual carefully
and make sure you understand
the instructions before using the machine.



When you need spare parts or support in service questions, warranty issues, etc., please consult the following professional:

This manual belongs to the machine with the manufacturing number:	Engine	Transmission

Manufacturing Number

The machine's manufacturing number can be found on the printed plate affixed to the engine compartment.

Stated on the plate, from the top are:

- The machine's type designation (I.D.).
- The manufacturer's type number (Model).
- The machine's serial number (Serial no.)

Please have the type designation and serial number available when ordering spare parts.

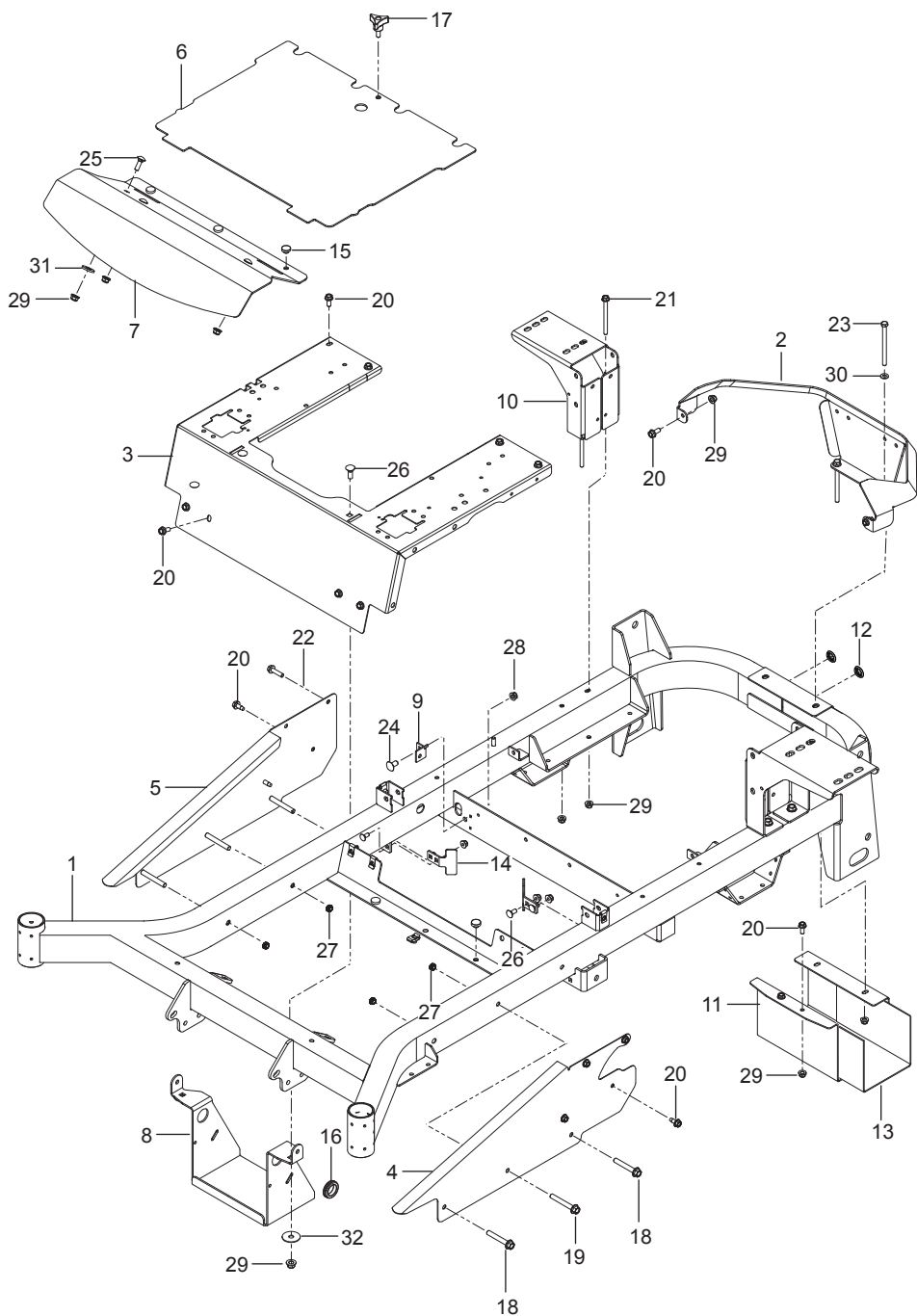
CONTENTS

FRAME	4
ENGINE MOUNTING, GUARDS & MUFFLER	6
STEERING	8
IGNITION SYSTEM.....	10
PARKING BRAKE	12
HYDRAULIC PUMP-MOTOR.....	14
WHEELS & TIRES	16
MOWER LIFT / DECK LIFT.....	18
MOWER DECK / CUTTING DECK	20
SEAT	22
DECALS	24

Illustrations may or may not represent the actual assemblies and it is not recommended to use this manual as a guide to assemble or disassemble the mower.

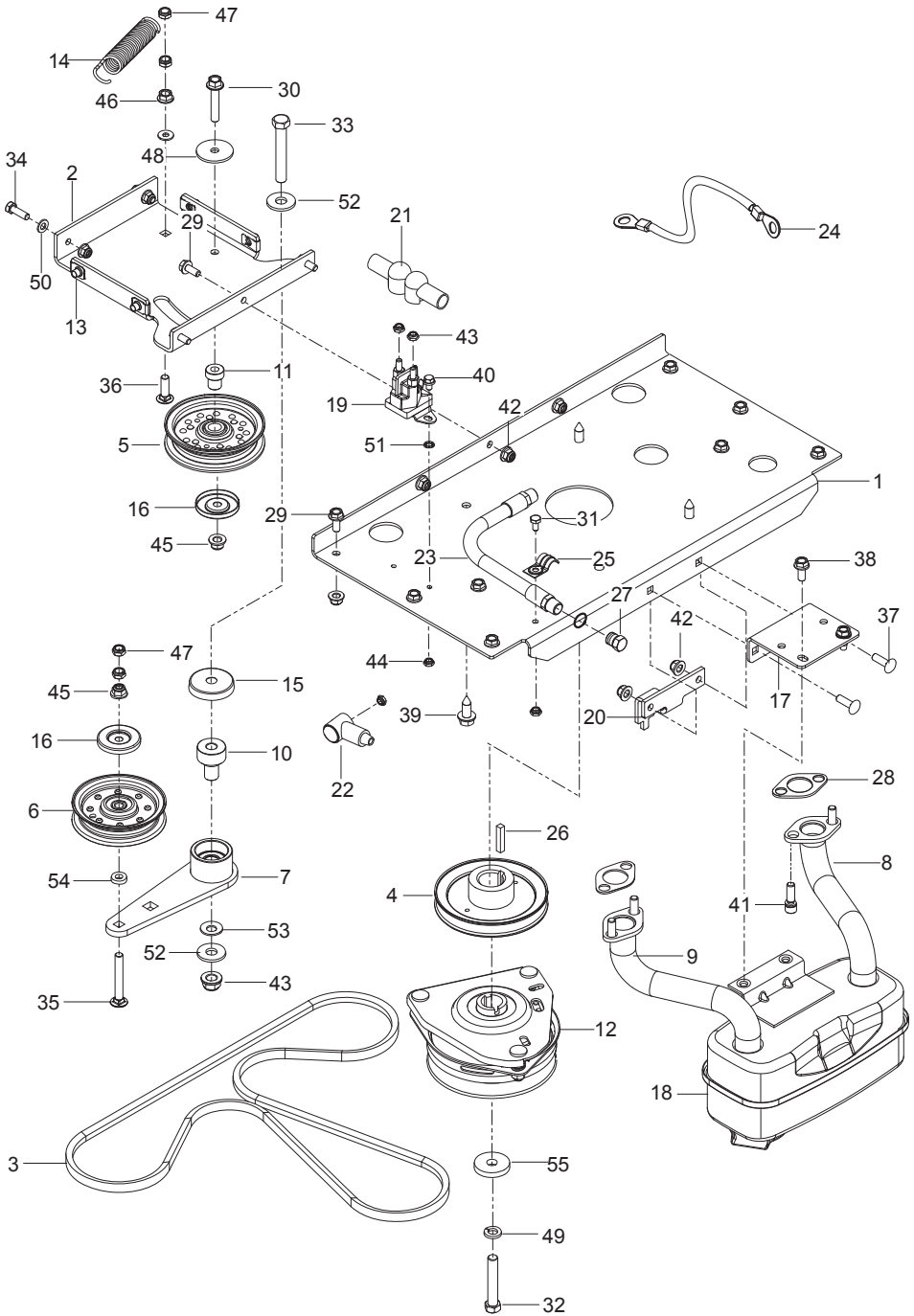
NOTE: All fasteners are Grade 5 unless otherwise specified.

FRAME



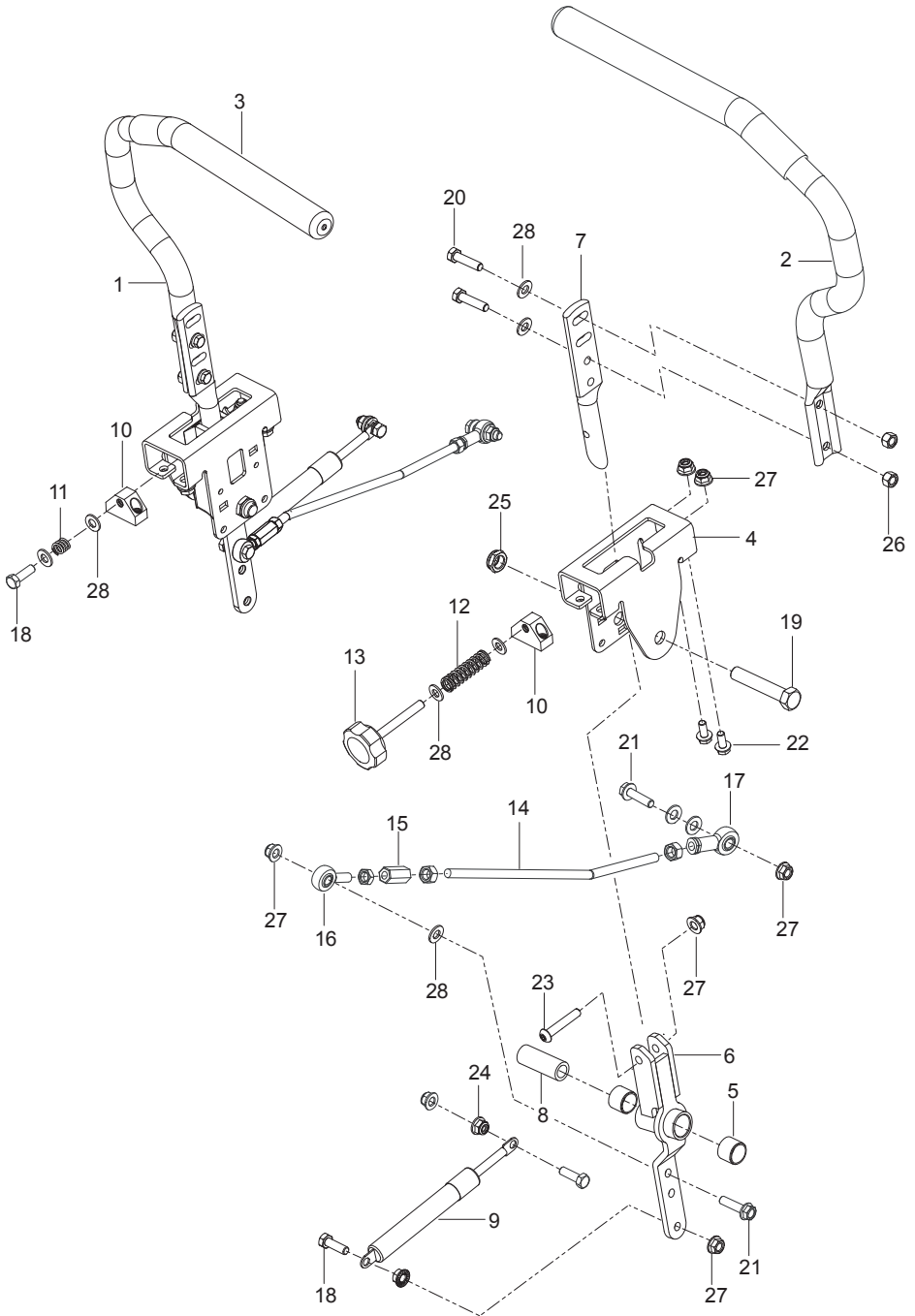
Ref.	Part No.	Qty	Description
1	501 65 60-01	1	Frame w/ Safety Decals Org
2	586 89 30-02	1	Guard, Rear Gry
3	586 86 77-02	1	Support, Seat Org
4	539 13 15-77	1	Side, Left Blk
5	539 13 15-79	1	Side, Right Blk
6	539 13 27-44	1	Plate w/ Safety Decal
7	539 13 23-80	1	Plate, Footrest Org
8	587 04 87-02	1	Bracket, Battery Blk
9	575 24 52-02	2	Bracket, Dampener
10	575 53 36-02	2	Mount, Tank Blk
11	575 23 04-02	1	Shield, Muffler Blk
12	587 99 05-01	2	Plug, Frame
13	539 13 28-59	1	Shield, Heat
14	505 25 64-01	2	Stop, Deck
15	539 10 25-87	7	Grommet, Bumper
16	539 10 59-74	1	Grommet, Rubber
17	539 10 44-11	1	Knob w/ Stud
18	539 13 30-06	2	Bolt 3/8-16 x 2 1/2 Hex Flange Head
19	874 49 06-44	2	Bolt 3/8-16 x 2-3/4 Hex Flange Head
20	874 49 05-12	18	Bolt 5/16-18 x 3/4 Hex Flange Head
21	874 49 05 60	4	Bolt 5/16-18 x 3-3/4 Hex Flange Head
22	525 54 40-01	1	Bolt 5/16-18 x 1-1/4 Hex Flange Head
23	539 10 23-35	2	Bolt 5/16-18 x 4 Hex Head
24	539 10 91-17	2	Bolt 3/8-16 x 3/4 Round Head Square Neck
25	539 99 02-08	3	Bolt 5/16-18 x 1 Round Head Square Neck
26	872 14 05-06	2	Bolt 5/16-18 x 1 Round Head Square Neck
27	539 20 02-82	6	Nut 3/8-16 Hex Jam Nyloc
28	521 99 65-01	2	Nut 3/8-16 Hex Flange Nyloc
29	539 11 28-99	12	Nut 5/16-18 Hex Flange Nyloc
30	819 11 11-16	2	Washer 5/16 SAE Flat Thick
31	539 99 02-50	1	Washer
32	819 13 24-16	2	Washer 16 Gauge Flat

ENGINE MOUNTING, GUARDS & MUFFLER



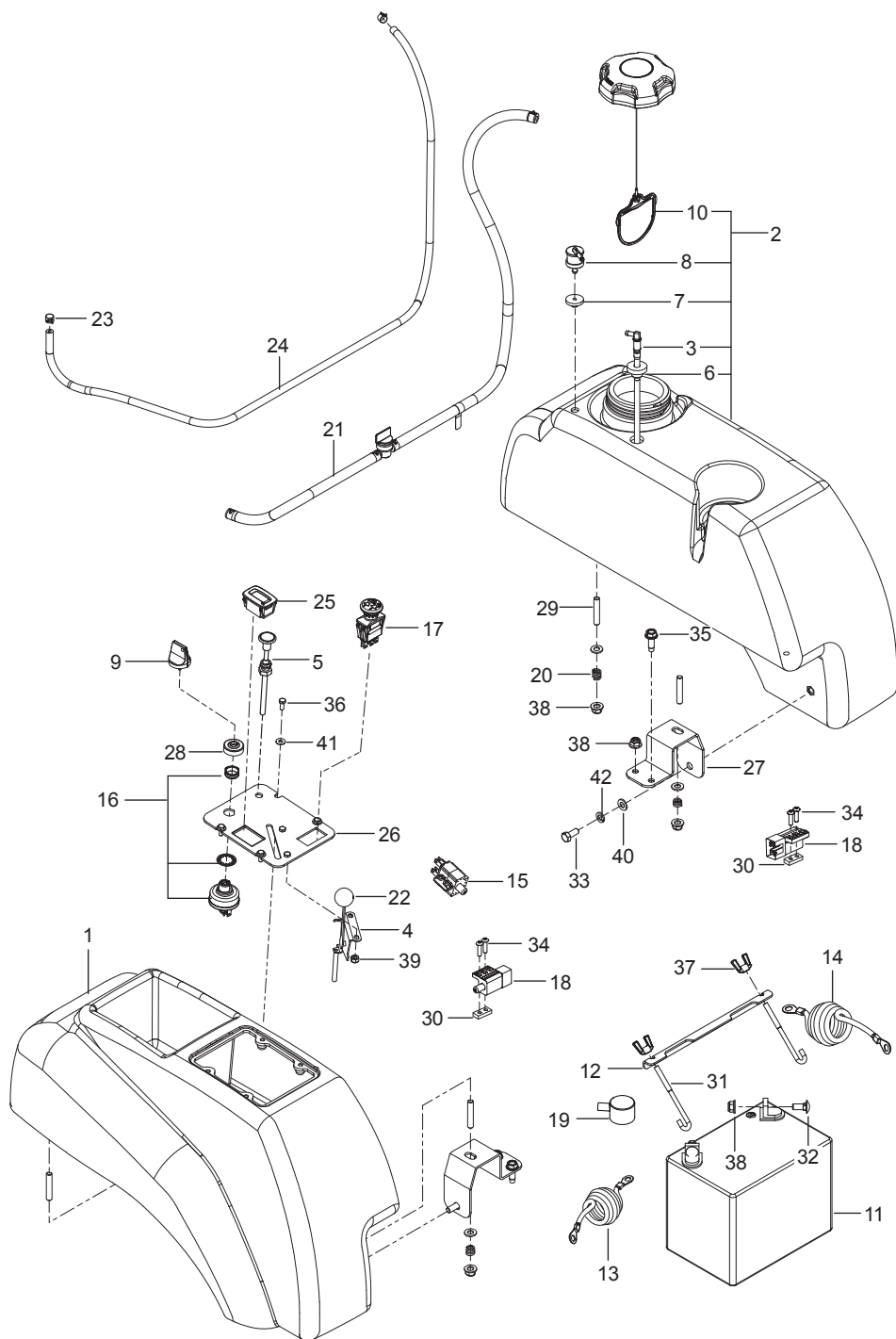
Ref.	Part No.	Qty	Description
1	586 65 14-02	1	Plate, Engine Blk
2	586 67 04-02	1	Plate, Idler Support Blk
3	574 87 09-01	1	Belt, Hydro
4	585 81 37-01	1	Pulley
5	539 97 66-88	1	Pulley, Idler
6	532 17 58-20	1	Pulley, Idler Secondary
7	510 04 16-03	1	Arm, Idler W/ Bearings
8	583 95 48-01	1	Exhaust Tube, Right
9	583 95 45-01	1	Exhaust Tube, Left
10	510 20 63-01	1	Pivot, Bearing
11	525 43 56-01	1	Pivot, Idler
12	532 17 93-35	1	Clutch
13	539 10 47-63	4	Retainer, U Type
14	510 25 44-01	1	Spring, Pump
15	539 11 46-62	1	Shield, Dust
16	510 25 45-01	2	Shield, Dust
17	575 22 99-02	1	Bracket, Muffler Blk
18	539 13 16-04	1	Muffler
19	532 19 25-07	1	Solenoid
20	585 81 36-01	1	Stop, Clutch
21	532 13 15-63	2	Insulator
22	539 10 27-59	1	Insulator
23	584 82 55-01	1	Hose, Drain
24	539 10 27-57	1	Cable, Positive
25	539 10 13-63	1	Clamp
26	539 91 27-57	1	Key 1/4 Square x 1-1/4
27	585 80 71-01	1	Plug, Oil Drain
28	586 83 99-01	2	Gasket, Muffler
29	874 49 05-12	11	Bolt 5/16-18 x 3/4 Hex Flange Head
30	874 49 06-32	1	Bolt 3/8-16 x 2 Hex Flange Head
31	539 99 00-71	1	Bolt 1/4-20 x 1/2 Hex Head
32	581 33 28-02	1	Bolt 7/16-20 x 2-1/2 Hex Head
33	539 10 34-33	1	Bolt 1/2-13 x 3-1/4 Hex Head
34	539 99 02-09	2	Bolt 5/16-18 x 1 Hex Head
35	539 13 02-35	1	Bolt 3/8-16 x 2-3/4 Round Head Square Neck
36	539 10 04-13	1	Bolt 3/8-16 x 1-1/4 Round Head Square Neck
37	539 10 72-71	2	Bolt 5/16-18 x 1 Round Head Square Neck
38	817 49 05-12	2	Screw 5/16-18 x 3/4 Thread Form
39	817 12 06-16	4	Screw 3/8-16 x 1 Thread Form
40	817 49 04-06	2	Screw 1/4-20 x 3/8 Thread Form
41	532 19 23-34	4	Screw 5/16-18 x 3/4 Socket Head
42	539 11 28-99	15	Nut 5/16-18 Hex Flange Nyloc
43	521 99 11-01	1	Nut 1/2-13 Flange Nyloc
44	539 10 81-20	4	Nut 1/4-20 Thin Nyloc
45	521 99 65-01	2	Nut 3/8-16 Flange Nyloc
46	539 99 06-13	1	Nut 3/8-16 Whiz Lock
47	539 20 02-82	4	Nut 3/8-16 Jam Nyloc
48	539 11 18-97	1	Washer 3/8 Special
49	539 99 02-47	1	Washer 7/16 Slotted Lock
50	819 11 11-16	2	Washer 5/16 SAE
51	539 99 00-53	1	Washer 1/4 Internal Tooth Lock
52	539 10 95-54	2	Washer 1/2
53	539 11 55-28	1	Washer 1/2 Belleville
54	539 10 95-62	1	Washer 3/8
55	539 10 65-04	1	Washer, Harden

STEERING



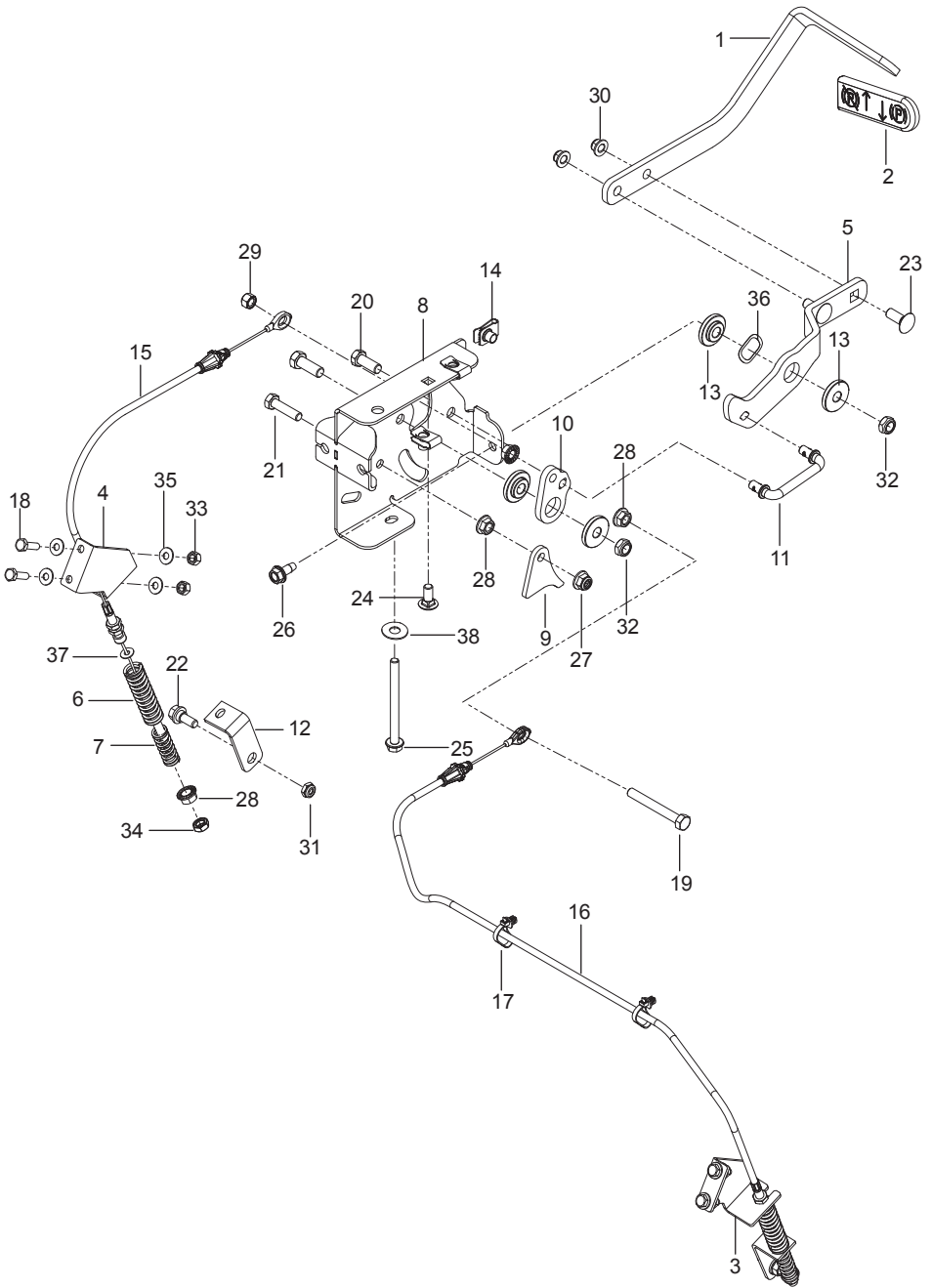
Ref.	Part No.	Qty	Description
1	539 13 20-09	1	Lever w/ Grip Right
2	539 13 20-10	1	Lever w/ Grip Left
3	539 13 08-94	2	Grip, Foam
4	585 12 47-05	2	Bracket, Control
5	532 43 82-82	4	Bearing
6	587 18 77 01	2	Lever, Control
7	577 42 00-01	2	Lever, Handle
8	584 92 72-01	2	Spacer, Pivot Control
9	539 10 27-20	2	Dampener
10	581 43 75-01	2	Block, Tracking
11	539 10 28-45	1	Spring
12	576 85 03-01	1	Spring
13	539 13 17-99	1	Knob
14	574 81 14-01	2	Rod, Motion Control
15	539 11 66-89	2	Coupler, Rod End
16	539 11 66-90	2	Rod End Left
17	539 11 57-29	2	Rod End Right
18	874 78 05-20	5	Bolt 5/16-18 x 1-1/4 Hex Head
19	874 78 08 44	2	Bolt 1/2-13 x 2-3/4 Hex Head
20	539 97 69-35	4	Bolt 5/16-18 x 1-1/2 Hex Head
21	525 54 40-01	4	Bolt 5/16-18 x 1-1/4 Tap
22	874 49 05 12	8	Bolt 5/16-18 x 3/4 Hex Flange Head
23	576 85 04-02	2	Screw 5/16-18 x 1-3/4 Button Head
24	539 99 05-85	4	Nut 5/16-18 Hex Whiz Lock
25	539 10 80-10	2	Nut 1/2-13 Hex Jam Nyloc Grade 2
26	539 99 07-17	6	Nut 5/16-18 Hex Nyloc
27	539 11 28-99	10	Nut 5/16-18 Hex Flange Nyloc
28	819 11 11-16	12	Washer 5/16 Sae Flat

IGNITION SYSTEM



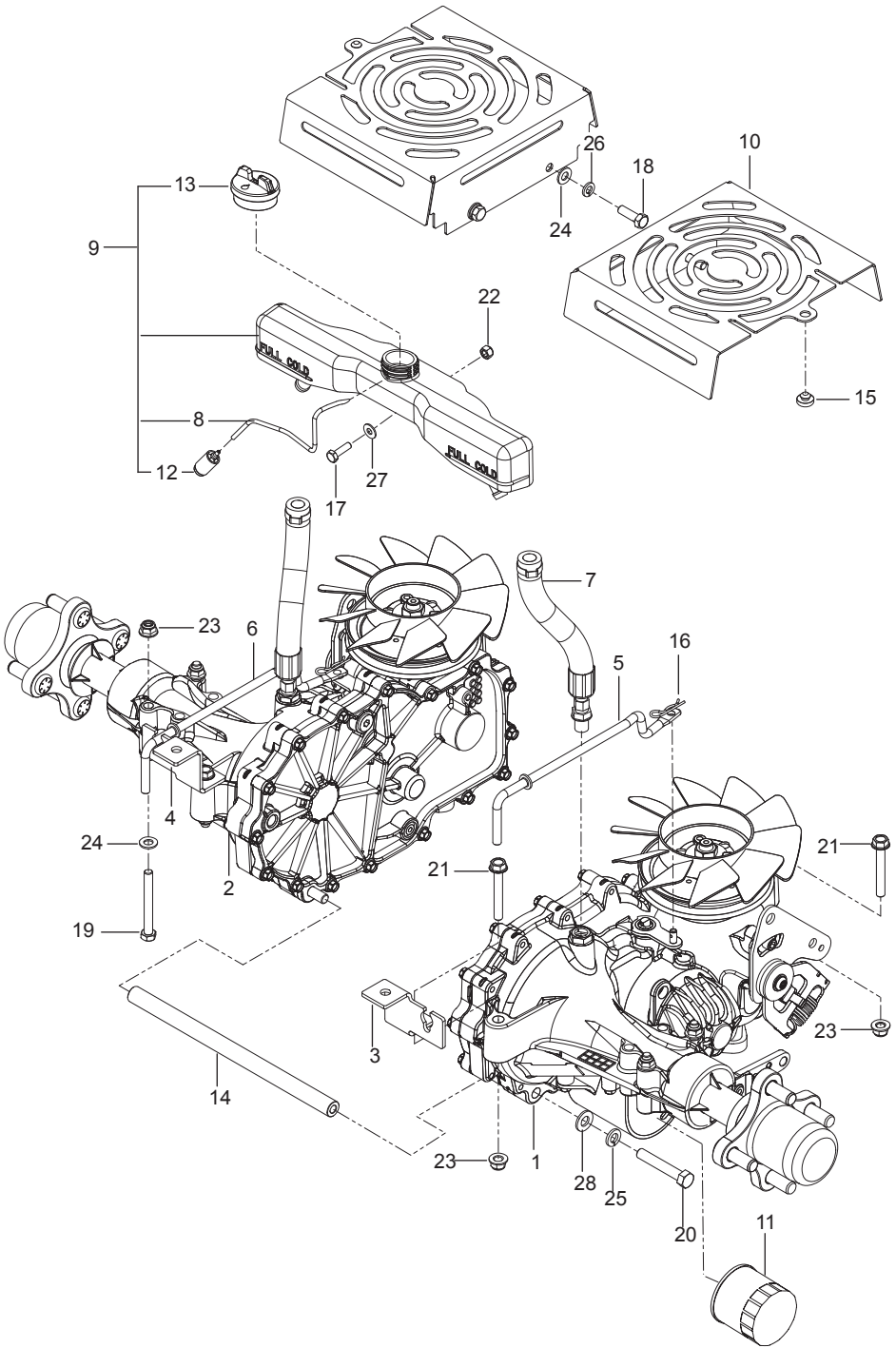
Ref.	Part No.	Qty	Description
1	539 10 75-93	1	Console, Right Gry
2	585 72 23-01	1	Assembly, Tank Left Gry
3	576 46 92-01	1	Fitting, Fuel
4	539 10 27-32	1	Control, Throttle
5	539 11 34-58	1	Control, Choke
6	539 10 52-45	1	Grommet, Rubber
7	576 61 82-01	1	Grommet, Check Valve
8	576 61 81-01	1	Valve, Fuel Check
9	574 45 55-01	1	Key
10	575 01 81-01	1	Fuel Cap w /Tether
11	539 10 24-36	1	Battery
12	588 10 72-01	1	Bracket, Battery Mount
13	588 03 07-01	1	Cable, Battery Pos Red
14	588 03 08-01	1	Cable, Battery Neg Blk
15	539 11 37-92	1	Switch, Brake
16	574 45 54-01	1	Switch, Ignition
17	539 13 16-27	1	Switch, PTO
18	532 10 95-53	2	Switch, Interlock
19	532 43 53-95	1	Cover, Terminal
20	539 10 28-45	6	Spring
21	586 12 39-01	1	Assembly, Fuel Hose
22	539 13 30-49	1	Knob
23	575 43 65-01	2	Clamp, Hose
24	587 04 45-39	1	Hose 3/16 Vapor
25	586 16 18-01	1	Meter, Service
26	574 84 12-04	1	Plate, Console, Blk
27	539 13 16-71	2	Support, Tank Blk
28	539 10 31-78	1	Nutcap, Switch
29	539 10 25-02	6	Stud, Tank
30	581 22 30-01	2	Plate, Nut
31	510 06 40-01	2	Hook, J
32	872 14 05-06	2	Bolt 5/16-18 x 3/4 Round Head Square Neck
33	874 78 05-12	2	Bolt 5/16-18 x 3/4 Hex Head
34	574 82 27-01	4	Screw #10-24 x 3/4 Socket Head
35	539 99 04-11	6	Screw #10-24 x 1/2 Slotted Hex Head
36	817 49 05-16	3	Screw 5/16-18 x 1 Washer Head
37	539 99 09-97	2	Nut 1/4-20 Wing Nut Nyloc
38	539 11 28-99	13	Nut 5/16-18 Hex Flange Nyloc
39	539 97 69-77	2	Nut #10-24 Hex Nylon Ring
40	819 11 11-16	8	Washer 5/16 SAE Flat
41	819 07 08-18	4	Washer 1/2 18 Gauge
42	810 03 05-00	2	Washer, Slotted Lock
	NOT SHOWN		
	585 99 97-01	1	Harness, Wiring

PARKING BRAKE



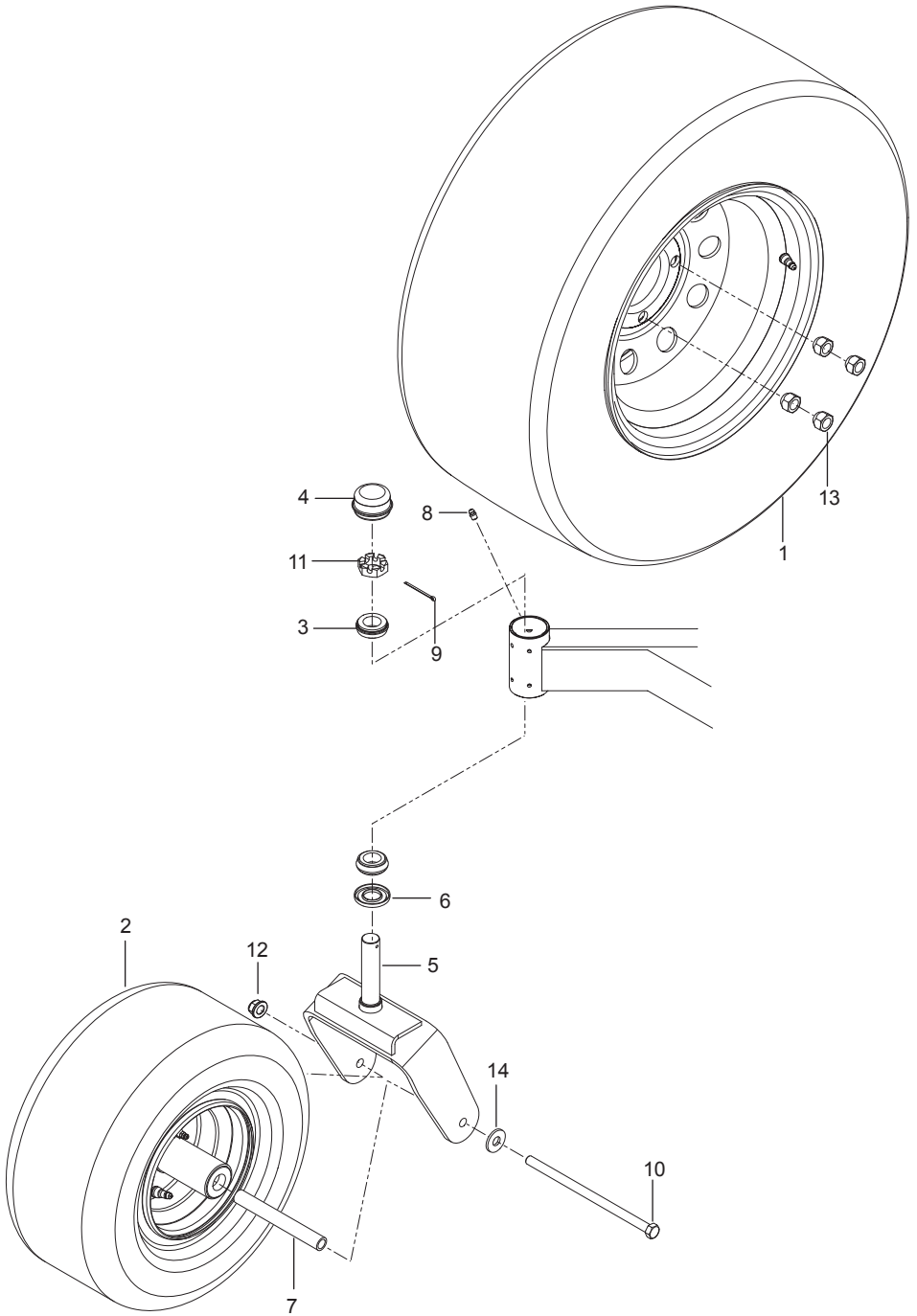
Ref.	Part No.	Qty	Description
1	539 13 21-51	1	Arm, Brake
2	539 10 50-36	1	Grip, Brake Handle
3	575 22 96-02	1	Bracket, Right Blk
4	575 22 97-02	1	Bracket, Left Blk
5	586 73 88-02	1	Lever, Brake
6	575 23 02-01	2	Spring, Return
7	575 23 03-01	2	Spring, Engagement
8	539 13 21-58	1	Mount, Brake
9	539 13 21-54	1	Actuator, Switch
10	539 13 21-53	1	Bellcrank, Brake
11	539 13 24-24	1	Linkage, Brake
12	575 22 98-02	2	Bracket, Brake
13	539 13 21-61	4	Bushing, Brake
14	539 10 47-63	3	Retainer, U Type 5/16-18
15	539 13 21-73	1	Cable, Brake Short
16	539 13 21-74	2	Cable, Brake Long
17	505 28 00-01	2	Tie Wrap w/ Clip
18	539 99 06-43	4	Bolt 1/4-20 x 7/8 Hex Head
19	539 10 83-96	1	Bolt 5/16-18 x 2-1/2 Hex Head Tap
20	539 99 05-63	2	Bolt 3/8-16 x 1 Hex Head
21	539 99 02-09	1	Bolt 5/16-18 x 1 Hex Head
22	539 11 03-03	2	Bolt 5/16 Shoulder
23	539 99 06-45	2	Bolt 3/8-16 x 1 Round Head Square Neck
24	539 99 03-16	1	Bolt 5/16-18 x 3/4
25	539 13 17-80	1	Bolt 5/16-18 x 3-3/4 Hex Flange Head
26	874 49 05-12	1	Bolt 5/16-18 x 3/4 Hex Flange Head
27	539 11 28-99	4	Nut 5/16-18 Hex Flange Nyloc
28	539 99 05-85	5	Nut 5/16-18 Hex Whiz Lock
29	539 99 07-17	1	Nut 5/16-18 Hex Nyloc
30	521 99 65-01	2	Nut 3/8-16 Hex Flange Nyloc
31	539 11 56-17	2	Nut 5/16 Hex Nyloc
32	539 20 02-82	2	Nut 3/8-16 Hex Jam Nyloc
33	539 97 69-78	4	Nut 1/4-20 Hex Nyloc
34	539 10 78-97	2	Nut 5/16-18 Hex Jam
35	539 99 00-55	8	Washer 1/4 SAE Flat
36	539 13 30-07	1	Washer, Wave
37	539 99 01-22	2	Washer 3/8 SAE
38	539 10 95-54	1	Washer 1/2 Flat

HYDRAULIC PUMP-MOTOR



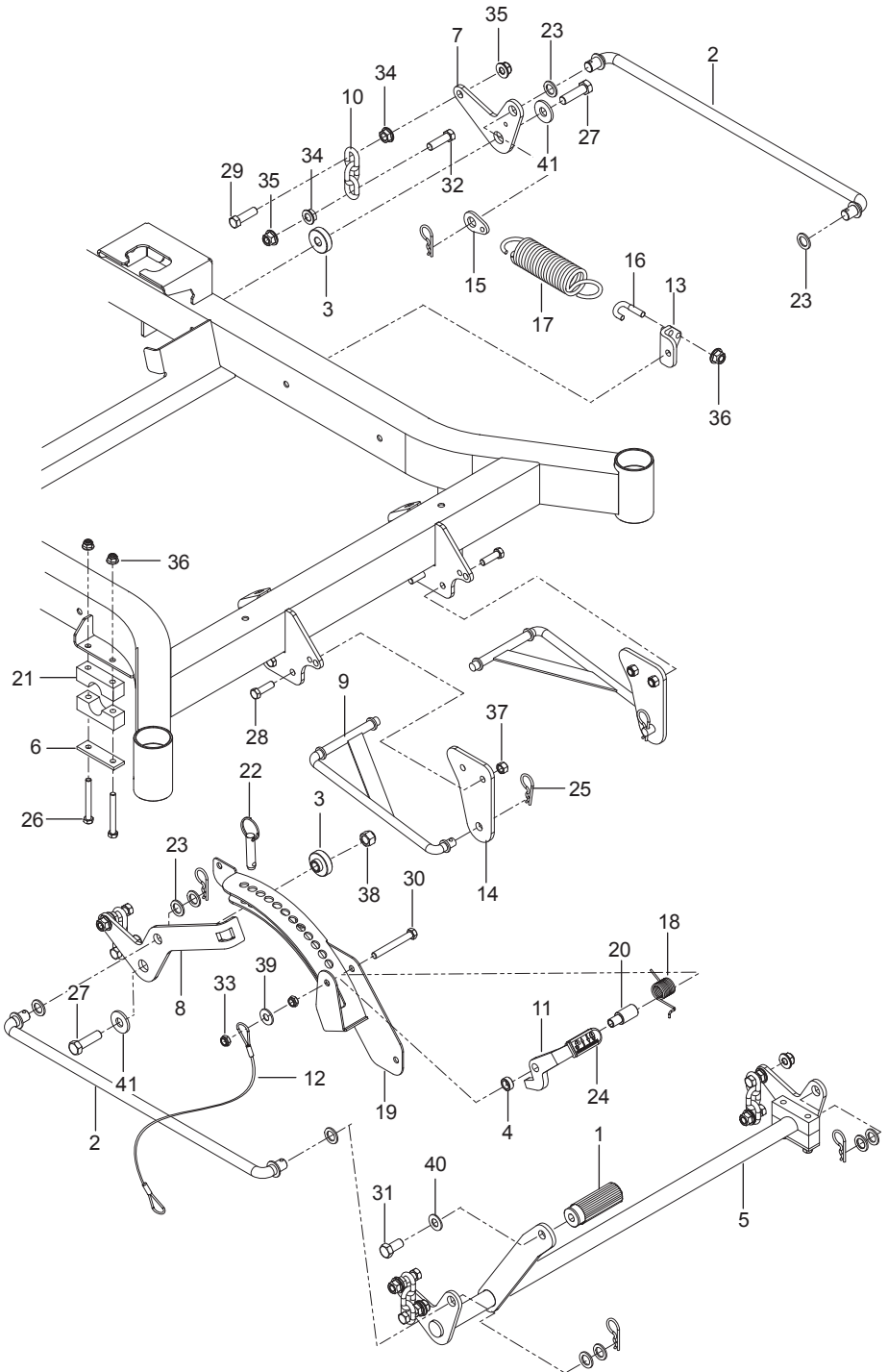
Ref.	Part No.	Qty	Description
1	577 22 77-02	1	Trans, ZT-3100, Left
2	577 22 77-01	1	Trans, ZT-3100, Right
3	575 01 71-02	1	Bracket, Trans, Left
4	575 01 70-02	1	Bracket, Trans, Right
5	539 13 16-16	1	Linkage, Bypass Left
6	539 13 16-18	1	Linkage, Bypass Right
7	574 89 21-01	2	Hose, Expansion
8	586 06 75-01	1	Hose, Fuel
9	585 31 82-01	1	Tank, Expansion
10	584 99 42-02	2	Cover, Fan
11	539 11 34-66	2	Filter, Hydro
12	530 09 56-46	1	Filter
13	586 07 27-01	1	Cap, Tank
14	574 86 85-01	1	Tube, Spacer
15	539 10 25-87	2	Grommet, Bumper
16	539 97 69-88	2	Pin
17	539 99 06-43	1	Bolt 1/4-20 x 7/8 Hex Head
18	539 99 02-09	4	Bolt 5/16-18 x 1 Hex Head
19	539 10 17-21	4	Bolt 5/16-18 x 2-3/4 Hex Head
20	539 10 85-51	2	Bolt 3/8-16 x 2-1/2 Hex Head Grade 8
21	574 23 38-01	4	Bolt 5/16-18 x 2-1/4 Hex Flange Head
22	539 97 69-78	1	Nut 1/4-20 Hex Nyloc
23	539 11 28-99	8	Nut 5/16-18 Hex Flange Nyloc
24	539 99 01-88	8	Washer 5/16 SAE Flat
25	539 99 01-18	2	Washer 3/8 Split Lock
26	539 99 01-87	4	Washer 5/16 Slotted Lock
27	539 99 00-55	1	Washer 1/4 SAE Flat
28	539 99 01-22	2	Washer 3/8 SAE Flat

WHEELS & TIRES



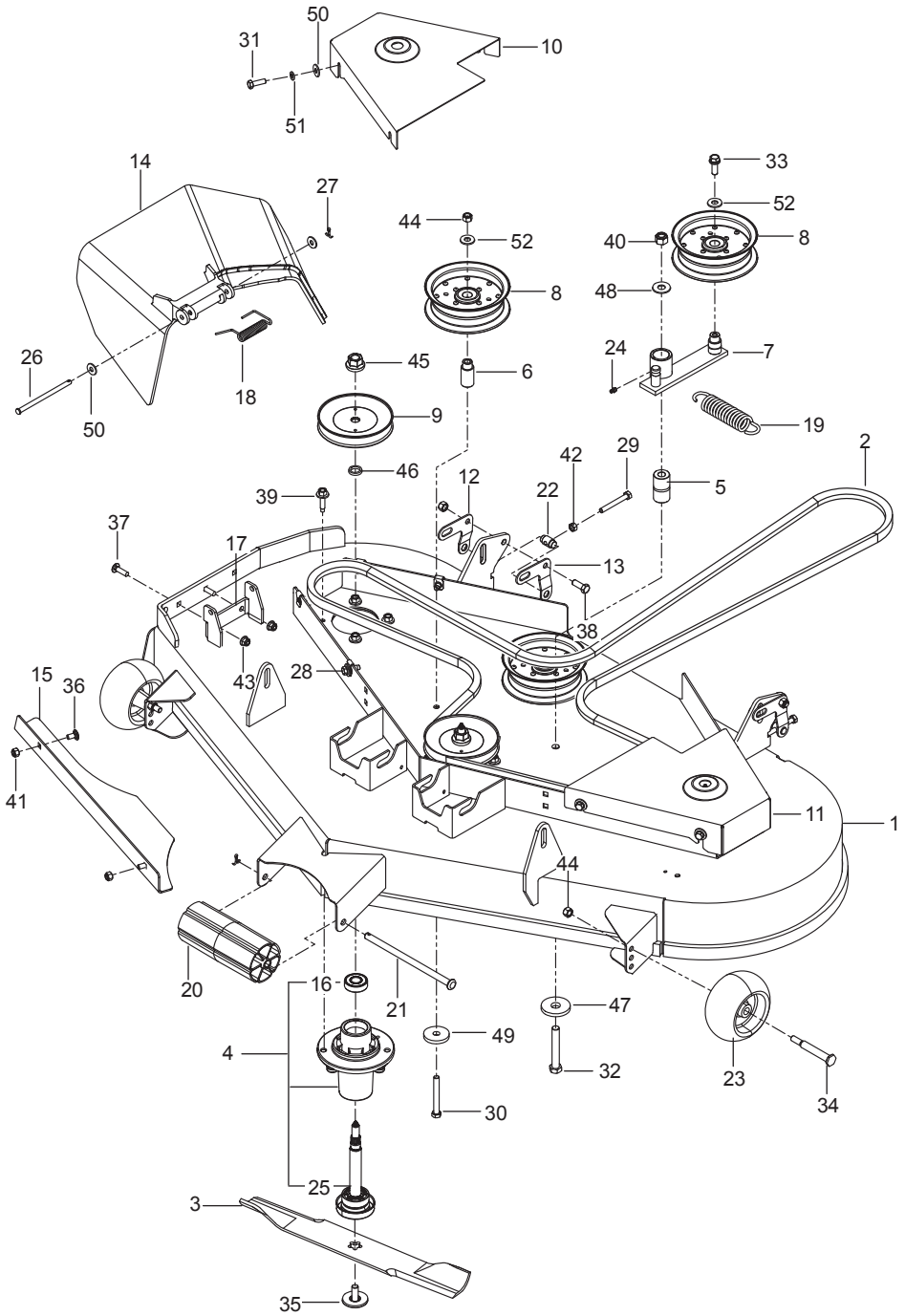
Ref.	Part No.	Qty	Description
1	580 74 70-01	2	Assembly, Wheel 22 x 10-10
2	581 19 95-01	2	Assembly, Wheel 13 x 6.5
3	539 10 25-43	4	Bearing
4	539 10 25-35	2	Cap, Grease
5	575 32 92-02	2	Yoke, Caster, Org
6	539 10 28-51	2	Seal
7	575 33 49-01	2	Spacer, Pivot
8	539 10 14-74	2	Zerk
9	539 10 28-89	2	Pin 1/8 x 2 Cotter
10	539 10 55-17	2	Bolt 1/2-13 x 9-1/2 Hex Head
11	539 10 28-52	2	Nut 1-14 Slotted Jam
12	521 99 11-01	2	Nut 1/2-13 Hex Flange Nyloc
13	539 10 11-73	8	Nut 1/2-20 Lug
14	539 10 95-54	2	Washer 1/2 Flat

MOWER LIFT / DECK LIFT



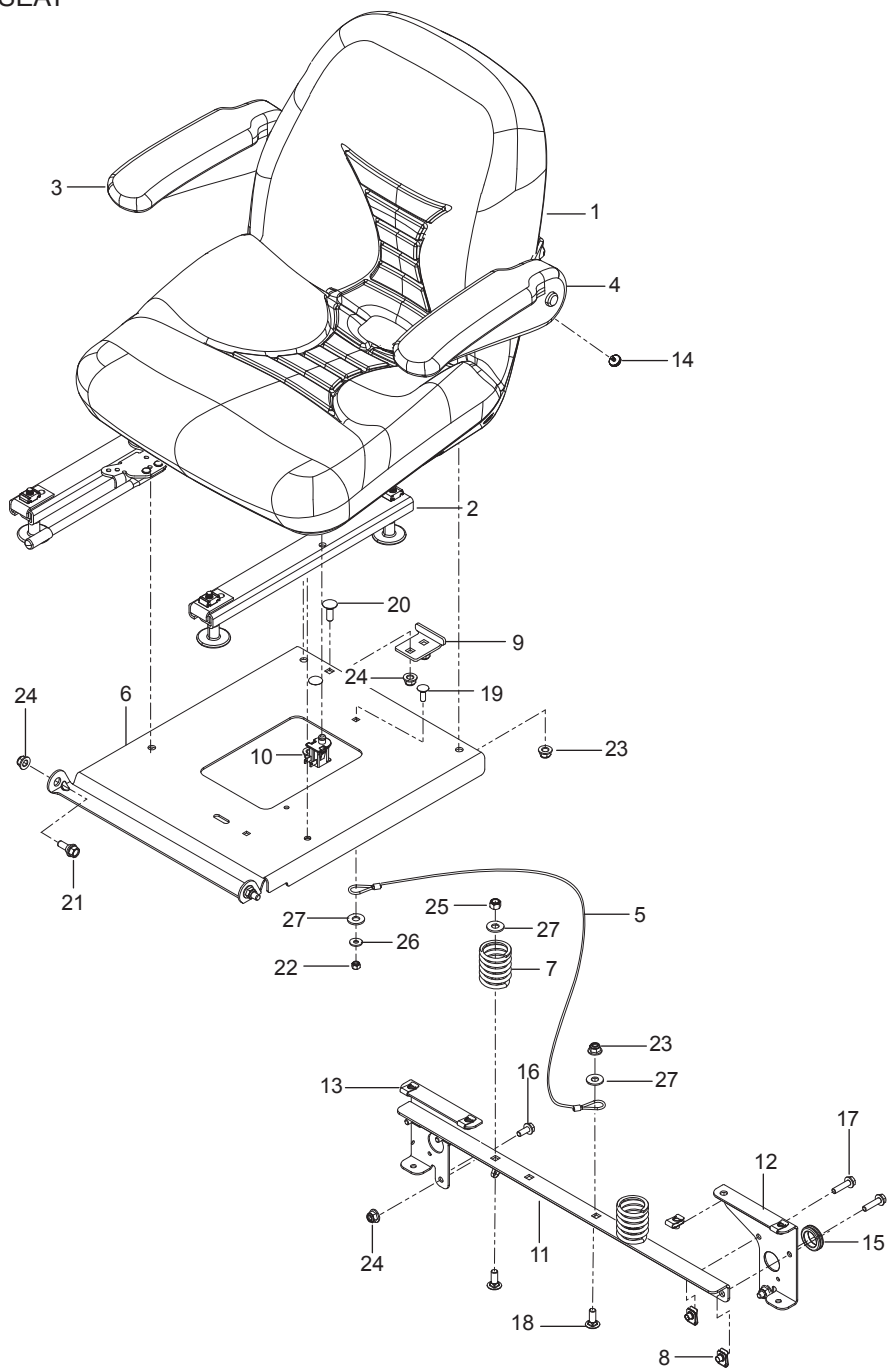
Ref.	Part No.	Qty	Description
1	510 40 83-01	1	Pedal, Foot
2	539 11 08-08	2	Link, Deck Lift
3	586 70 17-01	2	Spacer, Idler
4	539 13 18-61	1	Spacer
5	586 92 87-02	1	Shaft, Front Lift Blk
6	584 39 27-02	2	Plate, Reinforcement
7	539 13 18-97	1	Bellcrank, Rear, Lift Blk
8	539 13 18-53	1	Bellcrank, Rear, Right Blk
9	539 11 22-23	2	Linkage, Strut
10	539 10 96-93	4	Lift Chain-3 Link
11	539 13 15-66	1	Latch, Transport
12	539 10 50-59	1	Lanyard
13	539 13 17-91	1	Mount, Spring
14	539 13 20-17	2	Mount, Strut
15	539 13 17-92	1	Tab, Spring
16	539 11 28-96	1	J-Bolt
17	539 10 26-42	1	Spring
18	539 13 27-34	1	Spring, Torsion
19	539 13 18-50	1	Height Adjust, Deck
20	539 13 18-60	1	Pivot Latch, Transport
21	539 10 48-08	4	Pillow Block
22	539 13 21-82	1	Pin 1/2 x 1-1/2 Detent Ring
23	539 99 10-43	10	Bushing 5/8
24	539 13 28-51	1	Grip
25	539 11 55-01	6	Pin, Cotter 1-3/4
26	539 10 17-21	4	Bolt 5/16-18 x 2-3/4 Hex Head
27	539 10 81-81	2	Bolt 1/2-13 x 1-3/4 Hex Head Grade 8
28	539 99 05-63	4	Bolt 3/8-16 x 1 Hex Head
29	539 10 11-75	4	Bolt 7/16-14 x 1-1/2 Hex Head
30	874 78 06-48	1	Bolt 3/8-16 x 3 Hex Head
31	539 99 06-46	1	Bolt 1/2-13 x 1 Hex Head
32	539 10 80-73	4	Bolt 7/16-14 x 1-3/4 Hex Head
33	539 20 02-82	2	Nut 3/8-16 Hex Jam Nyloc
34	539 13 20-19	8	Nut 7/16-14 Hex Whiz Lock Smooth
35	539 10 25-82	8	Nut 7/16-14 Hex Whiz Lock Heavy
36	539 11 28-99	5	Nut 5/16-18 Hex Flange Nyloc
37	539 97 69-79	4	Nut 3/8-16 Hex Nyloc
38	539 10 13-31	4	Nut 1/2-13 Hex Nyloc
39	819 14 14-16	1	Washer 3/8 Flat
40	539 10 28-43	1	Washer 7/16 Spring
41	539 10 95-54	2	Washer 1/2 Flat

MOWER DECK / CUTTING DECK



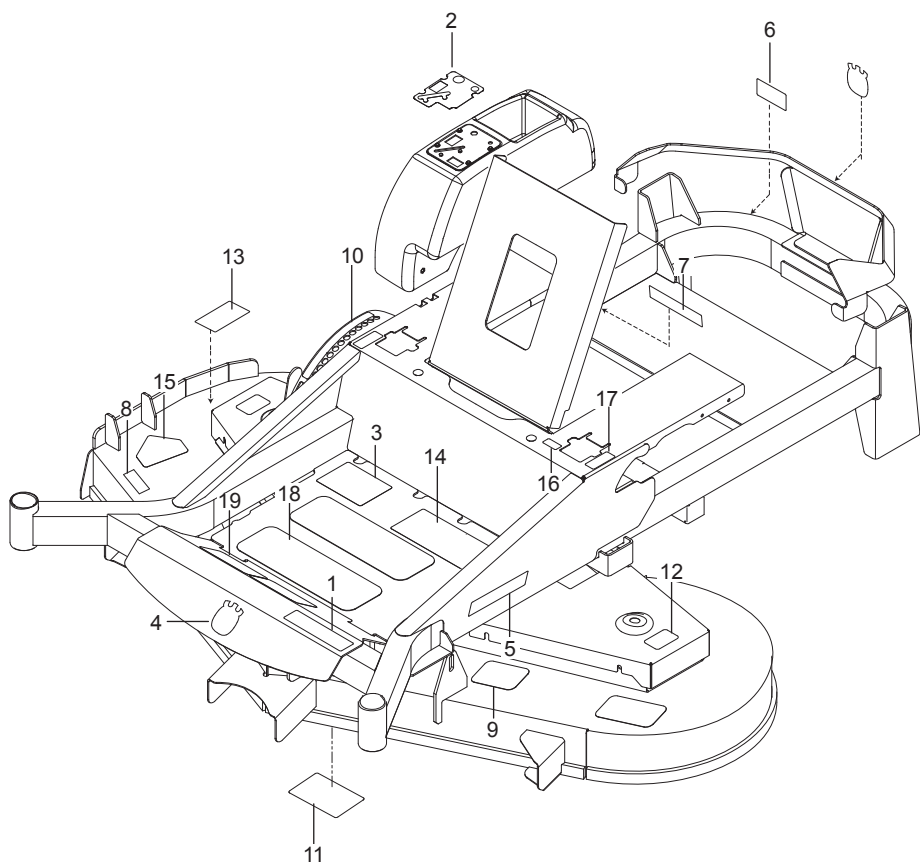
Ref.	Part No.	Qty	Description
1	581 50 53-01	1	Deck w/ Safety Decals
2	539 10 70-95	1	Belt, Deck
3	539 11 20-79	3	Blade, 18"
4	539 11 21-70	3	Assembly, Spindle
5	539 10 34-27	1	Bushing, Pivot
6	539 11 21-69	2	Bushing, Idler
7	539 11 21-98	1	Arm, Idler
8	539 13 27-28	3	Pulley, Idler
9	532 17 34-36	3	Pulley
10	539 11 22-42	1	Belt Shield, Right Org
11	539 11 22-44	1	Belt Shield, Left Org
12	584 85 94-02	2	Pitch, Adjust, Right
13	584 85 94-04	2	Pitch, Adjust, Left
14	539 11 07-33	1	Chute, Discharge
15	539 11 24-17	1	Plate, Confinement
16	532 11 04-85	3	Bearing, Ball
17	581 60 60-02	1	Bracket Org
18	539 11 07-35	1	Spring, Torsion
19	539 10 32-56	1	Spring, Torsion
20	532 17 60-66	1	Roller, Nose
21	532 17 91-27	1	Rod, Roller, Nose
22	539 13 18-59	2	Trunion, Pitch
23	532 13 39-57	2	Wheel, Gauge
24	539 97 69-98	1	Zerk
25	532 18 72-91	1	Shaft
26	539 11 07-36	1	Pin, Clevis 5/16
27	539 99 03-65	2	Pin, Cotter
28	539 10 47-63	8	Retainer, U Type 5/16-18
29	874 78 05-40	2	Bolt 5/16-18 x 2-1/2 Tap Hex Head
30	874 78 06-48	2	Bolt 3/8-16 x 3 Hex Head
31	874 78 05-16	8	Bolt 5/16-18 x 1 Hex Head
32	539 10 34-33	1	Bolt 1/2-13 x 3-1/4 Hex Head
33	539 99 05-82	1	Bolt 3/8-16 x 1 Whiz Lock Hex Head
34	532 13 76-44	2	Bolt 3/8-16 Shoulder
35	532 19 30-03	3	Bolt 7/16 Blade
36	872 11 05-05	2	Bolt 5/16-18 x 5/8 Head Square Neck
37	872 11 05-08	2	Bolt 5/16-18 x 1 Head Square Neck
38	874 78 06-16	2	Bolt 3/8-16 x 1 Hex Head
39	584 95 39 01	12	Screw 5/16-18 Washer Head
40	539 10 13-31	1	Nut 1/2 Hex Nyloc
41	873 80 05-00	2	Nut 5/16-18 Hex Nyloc
42	873 22 05-00	2	Nut 5/16-18 Hex
43	539 11 28-99	2	Nut 5/16-18 Hex Flange Head
44	539 97 69-79	6	Nut 3/8-16 Hex Nyloc
45	532 40 02-34	3	Nut 9/16 Top Center Lock
46	532 18 76-90	3	Washer, Spacer
47	539 10 22-43	1	Washer, Support
48	539 99 05-50	1	Washer 1/2 Std Flat
49	539 10 65-04	2	Washer, Heavy
50	819 12 14-14	10	Washer 5/16 Std Flat
51	810 03 05-00	8	Washer 5/16 Slotted
52	819 14 16-14	2	Washer 3/8 Std Flat

SEAT



Ref.	Part No.	Qty	Description
1	539 13 08-73	1	Assembly, Seat
2	539 11 20-37	1	Rail Set
3	539 11 20-35	1	Arm Rest Right
4	539 11 20-36	1	Arm Rest Left
5	539 10 32-47	1	Lanyard, Seat
6	586 86 78-02	1	Mount, Seat
7	587 61 33-01	2	Spring, Seat Blk
8	539 10 47-63	8	Retainer, U Type
9	539 13 07-93	1	Deck Stop
10	532 42 10-62	1	Switch, Seat
11	584 80 91-02	1	Support, Seat Blk
12	584 99 01-02	1	Support, Right Blk
13	584 99 02-02	1	Support, Left Blk
14	588 99 39-01	2	Knob, Armrest
15	539 10 59-74	1	Grommet Rubber
16	874 49 05-12	2	Bolt 5/16-18 x 3/4 Hex Flange Head
17	525 54 40-01	4	Bolt 5/16-18 x 1-1/4 Hex Flange Head
18	872 14 06-08	3	Bolt 3/8-16 x 1 Round Head Square Neck
19	872 11 04-06	1	Bolt 1/4-20 x 3/4 Round Head Square Neck
20	872 05 05-06	2	Bolt 5/16-18 x 3/4 Round Head Square Neck
21	539 13 08-96	2	Bolt 5/16-18 Shoulder
22	873 80 04-00	1	Nut 1/4-20 Hex Nyloc
23	521 99 65-01	2	Nut 3/8-16 Hex Flange Nyloc
24	539 11 28-99	6	Nut 5/16-18 Hex Flange Nyloc
25	873 80 06-00	2	Nut 3/8-16 Hex Nyloc
26	819 09 12-16	1	Washer 1/4 Flat
27	819 14 16-14	4	Washer 3/8 Flat

DECALS



Ref.	Part No.	Qty	Description
1	585 65 89-01	1	Decal, MZ 52
2	574 84 11-03	1	Decal, Console
3	586 34 25-01	1	Decal, Start
4	532 42 86-76	2	Decal, Crown H
5	532 42 91-96	2	Decal, Husqvarna
6	539 10 57-44	1	Decal, Danger Belt Drive
7	539 10 57-45	1	Decal, Battery Warning
8	539 10 57-46	1	Decal, Severing
9	539 11 26-20	1	Decal, Belt Routing
10	539 13 20-39	1	Decal, Height Adjust
11	539 13 21-87	1	Decal, Service
12	581 72 43-01	2	Decal, No Step
13	581 72 44-01	1	Decal, Deflector
14	583 93 40-01	1	Decal, Warning
15	584 90 46-01	1	Decal, Blade Warning
16	585 14 26 01	2	Decal, Tracking
17	589 28 30-01	2	Decal, Motion Control
18	539 97 77-78	2	Pad, Abrasive Large
19	539 12 13-22	3	Pad, Abrasive Small

www.husqvarna.com

115 71 46-27 Rev B
2015-11-01