

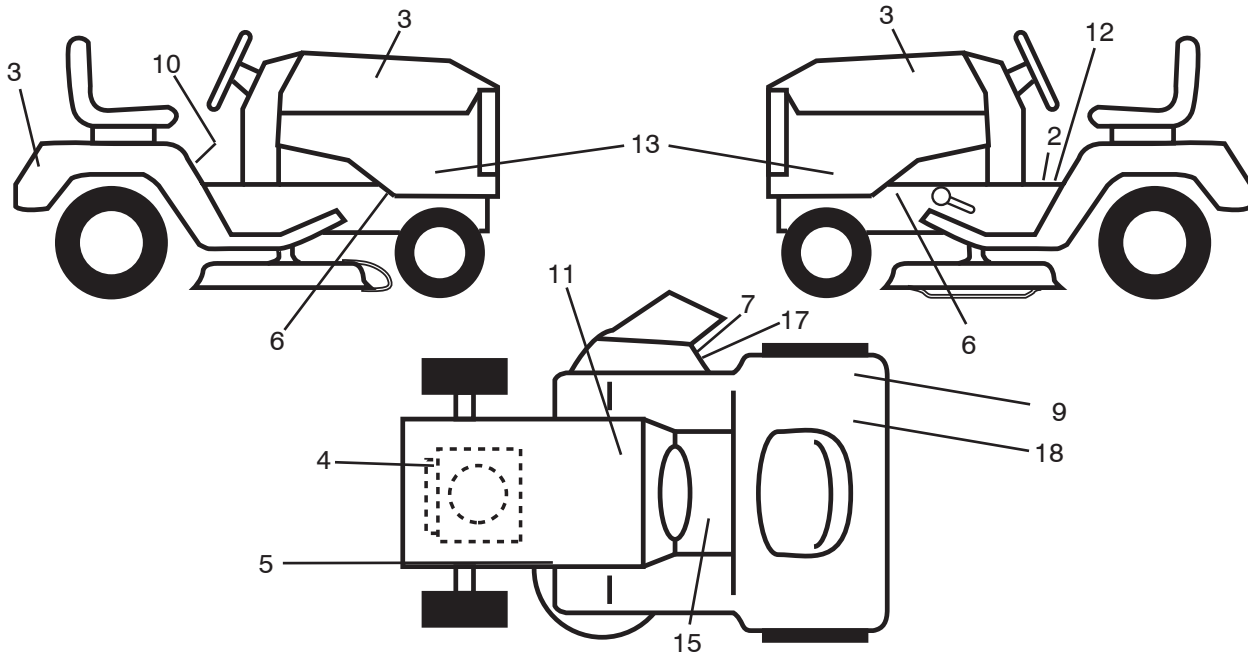
ILLUSTRATED PARTS LIST

MODEL NO. 96041005203

CUSTOMER CATALOG NO. LTH1842

PRODUCT NO. 960 41 00-52

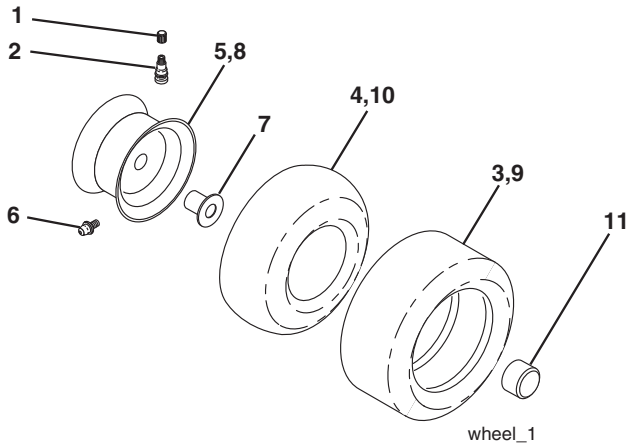
**TRACTOR - - MODEL NO. LTH1842 (96041005203), PRODUCT NO. 960 41 00-52
DECALS 27**



KEY NO.	PART NO.	DESCRIPTION
2	532 14 08-37	Decal, Brake Parking Sandle
3	532 42 20-12	Decal, Hood
4	532 19 68-41	Decal, Warning Engine Syms
5	532 16 03-96	Decal, V-Belt Sch.
6	532 15 97-36	Decal, Chassis Hot Muffler
7	532 18 21-66	Decal, Mower Cutfinger Symbol
9	532 16 88-69	Decal, Tick Mark
10	532 40 03-89	Decal, Warning Symbols CE
11	532 14 50-05	Decal, Bat Dan/Poi P/L Sym
12	532 17 83-02	Decal, Oper. Cruise Symbols

KEY NO.	PART NO.	DESCRIPTION
13	532 41 01-04	Decal, Sidepnl
15	532 15 97-37	Decal, Brake/Clutch Symbol
17	532 19 63-57	Decal, Cutfinger Warning
18	532 12 44-33	Decal, 80 DBA
--	532 16 25-98	Decal, Drawbar Load Limit
--	532 16 69-60	Decal, Bypass Lt Hydro
--	532 41 08-05	Pad, Footrest LH
--	532 41 08-06	Pad, Footrest RH
--	532 41 03-26	Manual, Operator's (English)

WHEELS & TIRES

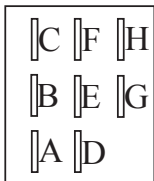
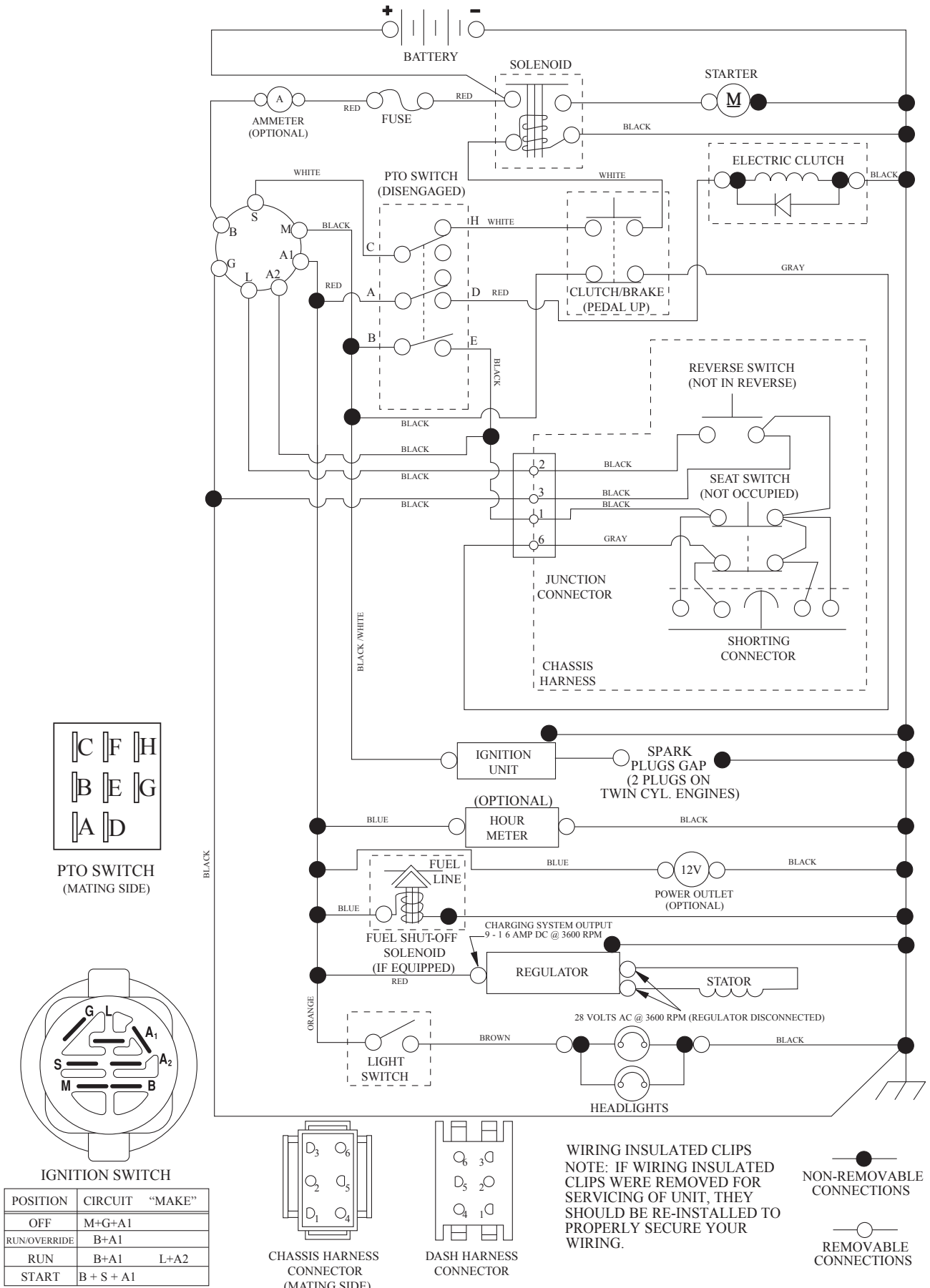


KEY NO.	PART NO.	DESCRIPTION
1	532 05 91-92	Cap Valve Tire
2	532 06 51-39	Stem Valve
3	532 10 62-22	Tire F Ts 15 x 6 0 - 6 Service
4	532 05 99-04	Tube Front (Service Item Only)
5	532 13 83-36	Rim Asm 6" Front Silver Service
6	532 12 49-57	Fitting Grease (Front Wheel Only)
7	532 12 49-59	Bearing Flange (Front Wheel Only)
8	532 13 83-37	Rim Asm 8" Rear Silver Service
9	532 12 20-82	Tire R Ts 20 x 10-8 C Service
10	532 12 49-26	Tube Rear (Service Item Only)
11	532 17 50-39	Cap Axle Blk 1 50 x 1 00
--	532 14 43-34	Sealant, Tire (10 oz. tube)

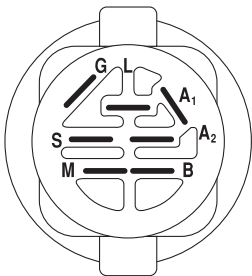
NOTE: All component dimensions given in U.S. inches
1 inch = 25.4 mm

TRACTOR - - MODEL NO. LTH1842 (96041005203), PRODUCT NO. 960 41 00-52 SCHEMATIC 38

SCH12

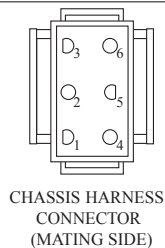


PTO SWITCH
(MATING SIDE)

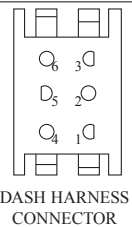


IGNITION SWITCH

POSITION	CIRCUIT	"MAKE"
OFF	M+G+A1	
RUN/OVERRIDE	B+A1	
RUN	B+A1	L+A2
START	B + S + A1	

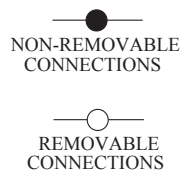


CHASSIS HARNESS CONNECTOR
(MATING SIDE)

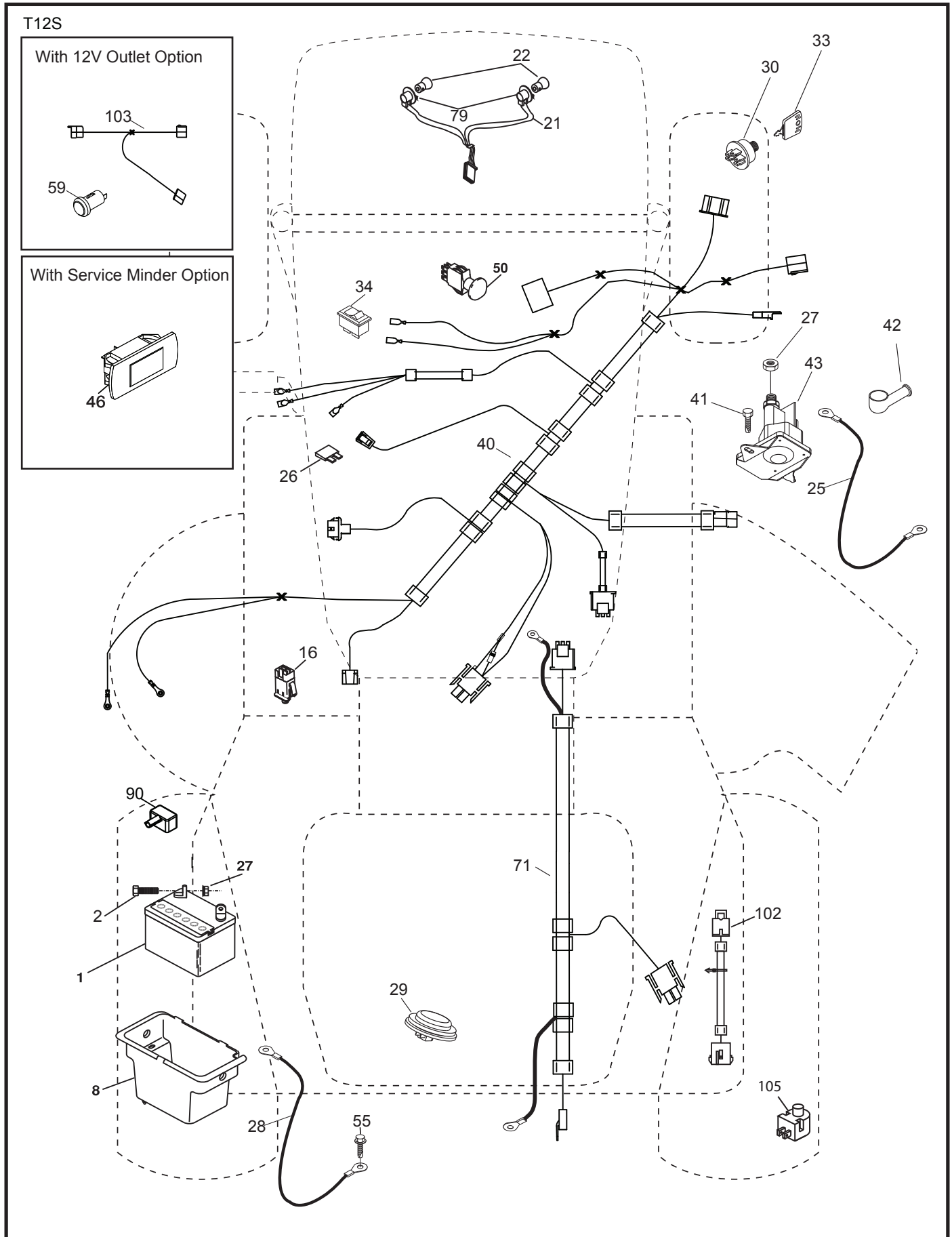


DASH HARNESS CONNECTOR

WIRING INSULATED CLIPS
NOTE: IF WIRING INSULATED CLIPS WERE REMOVED FOR SERVICING OF UNIT, THEY SHOULD BE RE-INSTALLED TO PROPERLY SECURE YOUR WIRING.



TRACTOR - - MODEL NO. LTH1842 (96041005203), PRODUCT NO. 960 41 00-52
ELECTRICAL 32

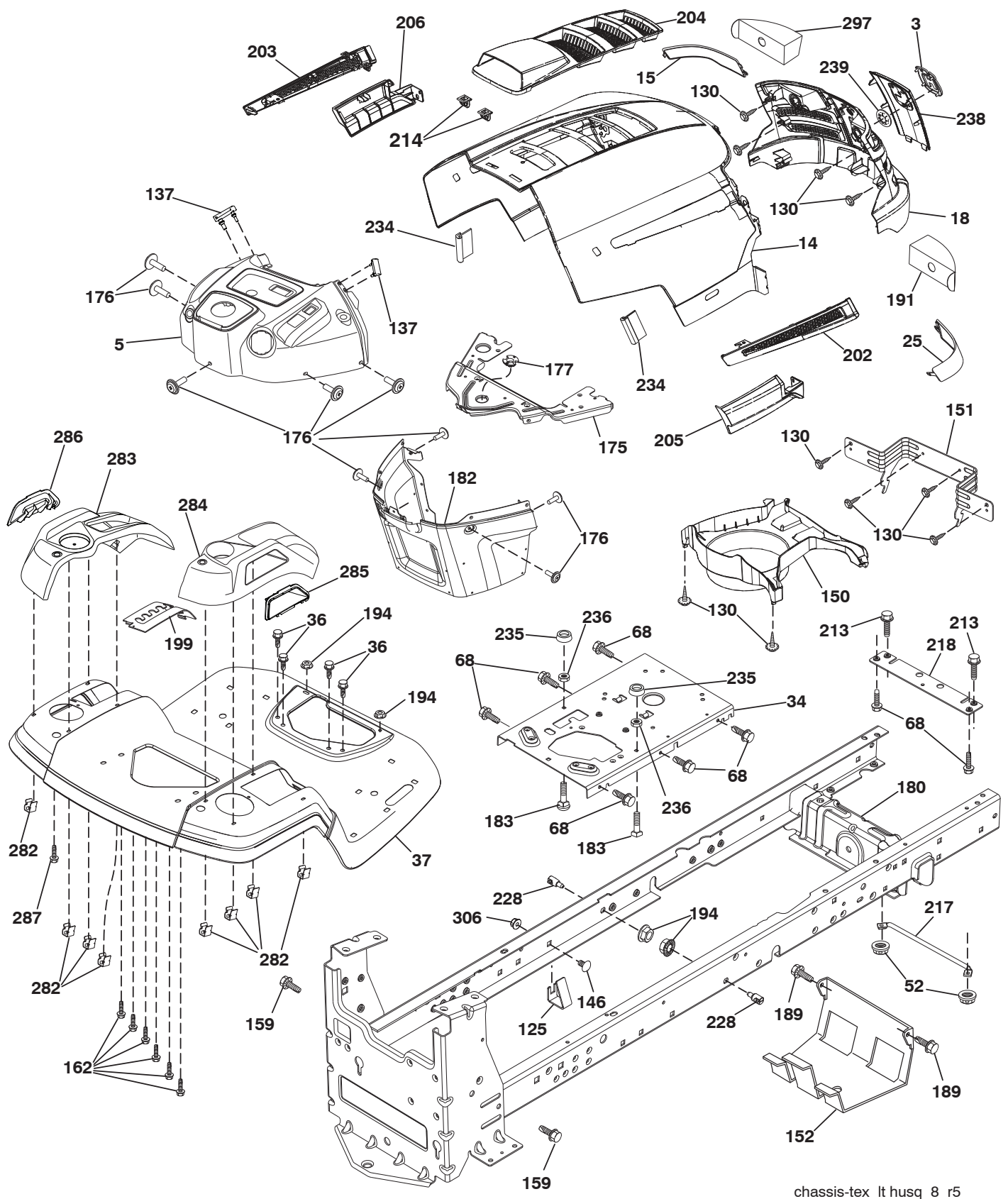


**TRACTOR - - MODEL NO. LTH1842 (96041005203), PRODUCT NO. 960 41 00-52
ELECTRICAL 32**

KEY NO.	PART NO.	DESCRIPTION
1	532 16 34-65	Battery
2	874 76 04-12	Bolt Hex Hd 1/4-20 unc x 3/4
8	532 19 32-28	Box Battery
16	532 17 61-38	Switch Interlock
21	532 40 02-52	Harness Asm Light w/4152J
22	532 00 41-52	Bulb Light #1156
25	532 41 28-94	Cable Battery 6 Ga. Red 14.5
26	532 17 51-58	Fuse 20 AMP
27	873 51 04-00	Nut Keps Hex 1/4-20 Unc
28	532 19 88-85	Cable 18" Rear. BATT.
29	532 40 15-45	Switch Seat
30	532 19 33-50	Switch Ignition
33	532 41 19-33	Key/Chain
34	532 11 07-12	Switch Light
40	532 40 11-04	Harness Ign.
41	817 72 04-08	Bolt Hex Hd. Fin 1/4-20 x 1/2 Gr. 5
42	532 13 15-63	Cover Terminal Red
43	532 19 25-07	Solenoid
46	532 40 17-63	Hourmeter
50	532 17 46-51	Switch PTO
55	817 06 05-12	Screw 5/16-18 x 3/4
71	532 40 04-49	Harness Ign. Chass. Tex
79	532 17 52-42	Socket, Asm. Bulb
90	532 40 07-25	Cover Terminal Battery
102	532 40 44-54	Harness Pigtail K46 TEX ROS
105	532 40 75-68	Switch Reverse TT Pedal Control

NOTE: All component dimensions given in U.S. inches
1 inch = 25.4 mm.

TRACTOR - - MODEL NO. LTH1842 (96041005203), PRODUCT NO. 960 41 00-52
CHASSIS AND ENCLOSURES **39**



chassis-tex_lt husq_8_r5

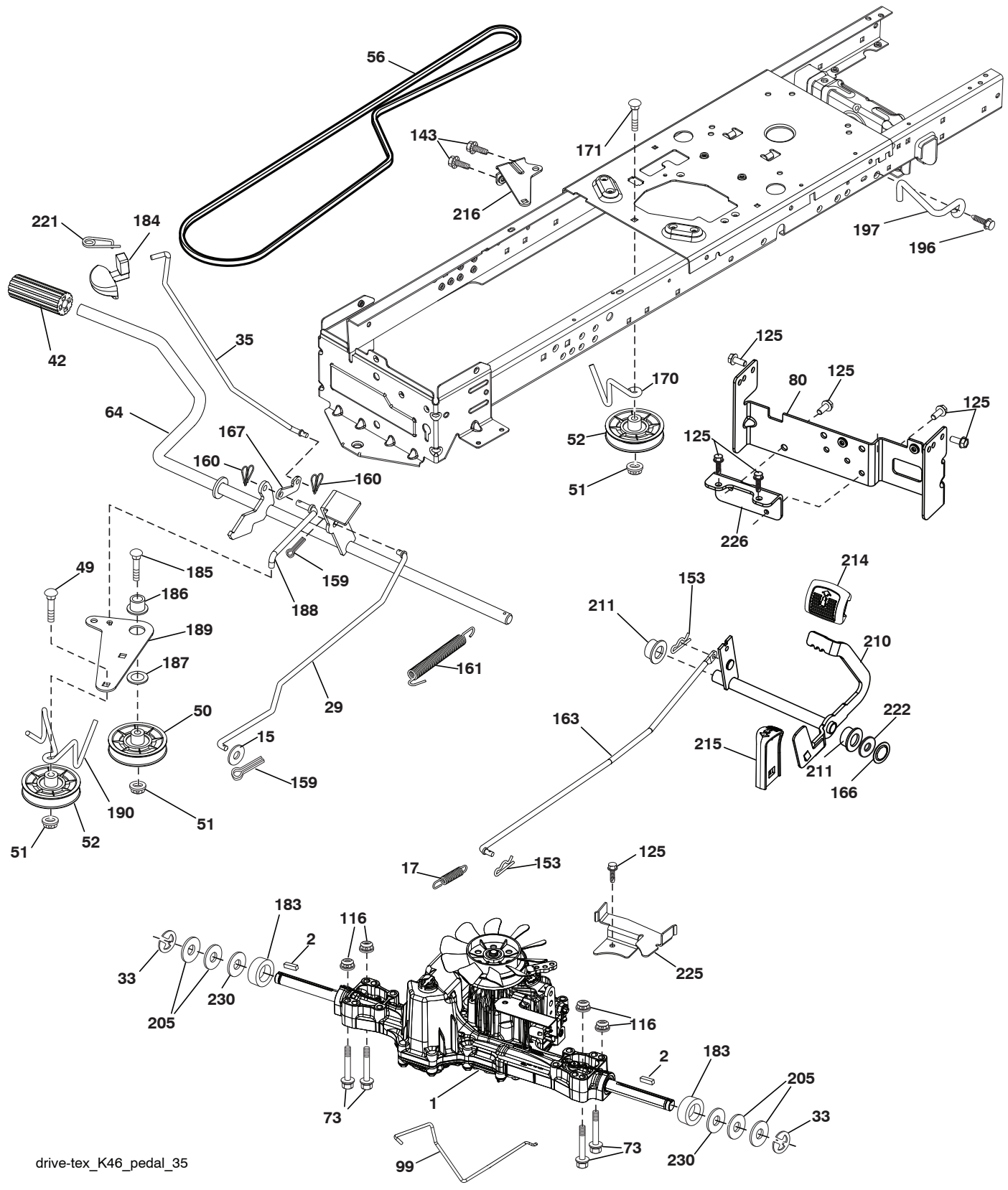
**TRACTOR - - MODEL NO. LTH1842 (96041005203), PRODUCT NO. 960 41 00-52
CHASSIS AND ENCLOSURES 39**

KEY NO.	PART NO.	DESCRIPTION
3	532 40 50-12	Logo
5	532 40 75-94	Dash
14	532 41 10-73	Hood
15	532 41 10-79	Lens LH
18	532 40 66-67	Grille/Lens Asm.
25	532 41 10-78	Lens RH
34	532 19 61-25	Plate Engine
36	817 06 05-12	Screw 5/16-18 x 3/4
37	532 41 63-07	Fender
52	873 68 05-00	Nut Crown Lock 5/16
68	817 49 05-08	Screw THDROL 5/16-18 x 1/2
125	581 68 48-01	Clip Fuel Line
130	532 41 63-58	Screw #10 x 0.750 BOS Thread
137	532 40 75-90	Bumper, Dash
146	581 85 79-01	Bolt
150	532 40 75-37	Air Duct
151	532 40 78-07	Bracket Pivot
152	532 19 95-35	Shield Browning
159	817 00 06-12	Screw Hex Wsh Thdr 3/8-16 x 3/4
162	532 14 24-32	Screw
175	532 19 94-72	Crossmember
176	532 40 07-76	Screw 10-24 x 5/8
177	532 19 52-28	Bushing Steering
180	532 19 54-57	Chassis
182	532 40 71-76	Dash Lower
183	874 78 05-20	Bolt 5/16-18 unc x 1-1/4
189	817 00 05-12	Screw 5/16-18 x 3/4
191	532 41 65-00	Insert Reflective RH
194	873 90 05-00	Nut Lock Hex Flange 5/16-18

KEY NO.	PART NO.	DESCRIPTION
199	532 41 34-85	Plate Deck Lift
202	532 41 10-75	Vent Side Hood RH
203	532 41 10-74	Vent Side Hood LH
204	532 41 11-16	Vent Top Hood
205	532 41 10-76	Skirt Side RH
206	532 41 10-77	Skirt Side LH
213	874 76 05-12	Bolt 5/16-18 x 3/4
214	532 19 91-45	Clip Retainer
217	532 40 91-67	Rod Pivot Hood
218	532 19 63-95	X-Piece Hood Stop
228	532 19 51-61	Stud Fastener
234	532 40 47-42	Bumper Hood
235	532 40 61-29	Spacer Fender
236	873 93-05-00	Nut Lock 5/16-18 unc Center
238	532 41 11-19	Trim
239	532 40 48-83	Clip Tinnerman
282	532 41 41-10	Clip Retainer
283	532 41 63-16	Console Deck Lift
284	532 41 78-87	Console Control Pedal
285	532 41 63-15	Console Insert RH
286	532 41 63-17	Console Insert LH
287	817 60 04-06	Screw Hex Washhead 1/4-20 x 3/8
297	532 40 66-65	Insert Reflective LH
306	873 90 06-00	Nut Lock

NOTE: All component dimensions given in U.S. inches
1 inch = 25.4 mm

TRACTOR - - MODEL NO. LTH1842 (96041005203), PRODUCT NO. 960 41 00-52
DRIVE **40**



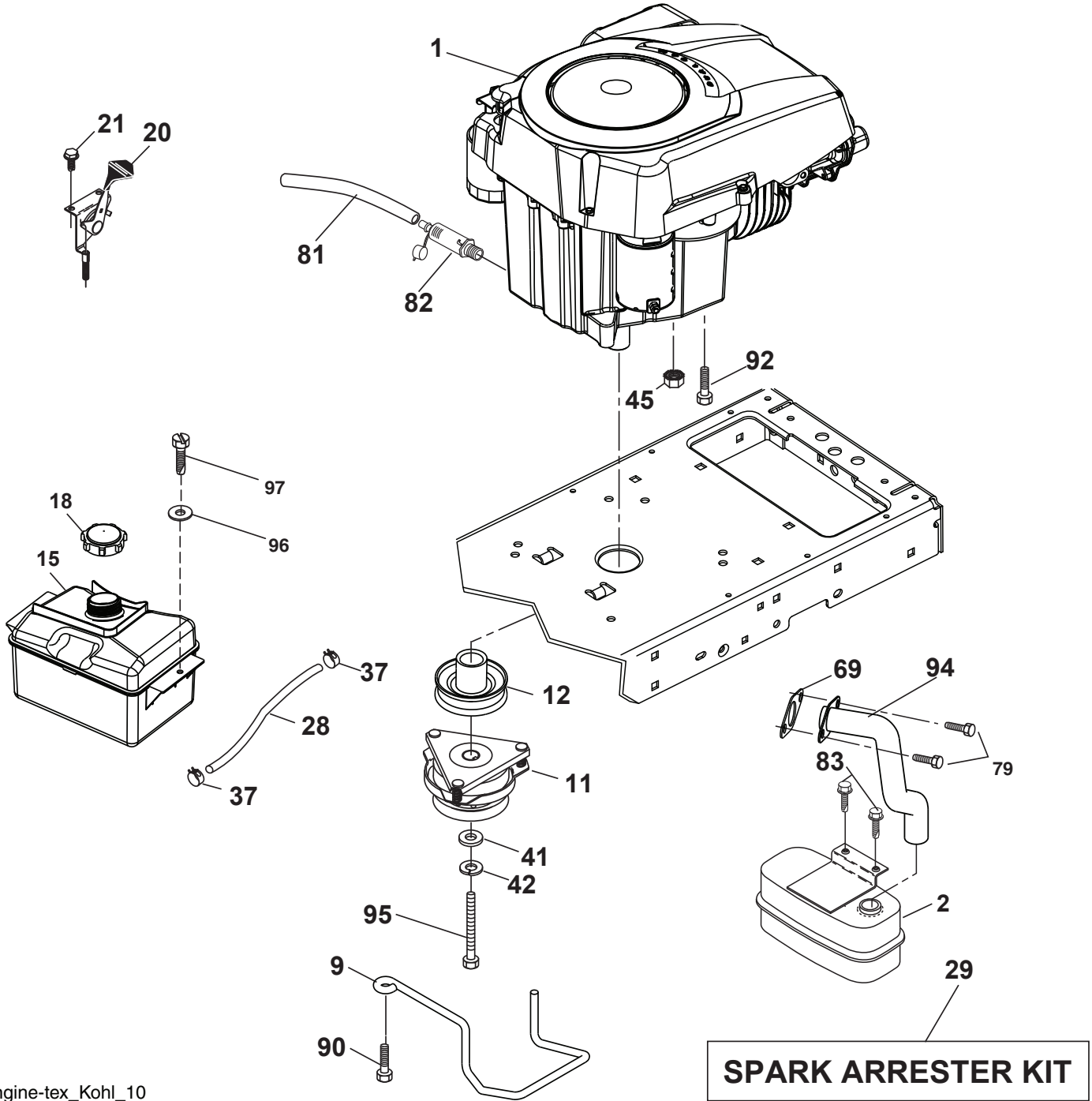
drive-tex_K46_pedal_35

**TRACTOR - - MODEL NO. LTH1842 (96041005203), PRODUCT NO. 960 41 00-52
DRIVE 40**

KEY NO.	PART NO.	DESCRIPTION
1	-----	Transaxle, TUFFTORQ K46 BT
2	532 12 35-83	Key
15	819 13 13-16	Washer 13/32 x 13/16 x 16 Ga.
17	532 41 36-78	Spring, Brake
29	532 40 38-06	Rod, Brake
33	812 00 00-01	Ring E
35	532 40 10-31	Rod, Brake, Park
42	532 12 48-72	Cover, Foot Pedal
49	872 11 06-14	Bolt
50	532 19 43-27	Pulley Idler Flat
51	873 90 06-00	Lock Nut 3/8-16
52	532 19 43-26	Idler V-Groove 910" Offset
56	532 13 09-69	V-Belt, Drive
64	532 19 78-65	Shaft Asm. Pedal Brake Control
73	874 49 05-44	Bolt Hex Flghd 5/16-18 Gr. 5
80	532 41 00-24	Bracket Strap Torque
99	532 41 57-42	Rod Spring Bypass
116	873 90 05-00	Nut Lock Hex Flange 5/16-18
125	817 00 05-12	Screw 5/16-18 x 3/4
143	817 49 05-08	Screw 5/16-18 x 1/2
153	532 12 47-88	Retainer Spring
159	876 02 04-12	Pin Cotter 1/8 x 3/4
160	532 16 94-84	Retainer Clip
161	532 10 57-09	Spring, Return, Clutch
163	532 40 10-34	Rod Pedal Control
166	532 19 72-90	Nut Push
167	532 40 52-57	Latch Brake Parking
170	532 19 43-22	Keeper Belt Centerspan
171	872 11 06-16	Bolt RDHD SQNK 3/8-16 unc x 2
183	532 13 70-57	Spacer Split
184	532 40 97-47	Handle Parking Brake
185	872 11 06-22	Bolt RDHD 3/8-16 unc x 2-3/4 Gr. 5
186	532 19 43-21	Spacer Retainer
187	819 13 32-10	Washer
188	532 19 43-23	Link Clutch Ground Drive
189	532 19 43-17	Bellcrank Ground Drive
190	532 19 43-18	Keeper Bellcrank Ground Drive
196	817 00 06-16	Screw 3/8-16 x 1
197	532 19 58-04	Bracket Clutch Anti-Rotation
205	532 12 17-48	Washer
210	532 40 09-80	Rocker Asm. Pedal Control
211	532 12 01-83	Bearing Nylon
214	532 42 12-63	Pedal Forward
215	532 40 17-23	Pedal Reverse
216	532 19 61-31	Bracket Pulley Idler
221	532 40 31-87	Retainer Spring Clip Handle
222	879 21 20-10	Washer 21/32 x 1-1/4 x 10 Ga.
225	532 40 33-19	Keeper Belt Trans.
226	532 40 15-64	Bracket Mount Torque
230	532 18 89-67	Washer Hardened

NOTE: All component dimensions given in U.S. inches
1 inch = 25.4 mm

TRACTOR - - MODEL NO. LTH1842 (96041005203), PRODUCT NO. 960 41 00-52
ENGINE **24**



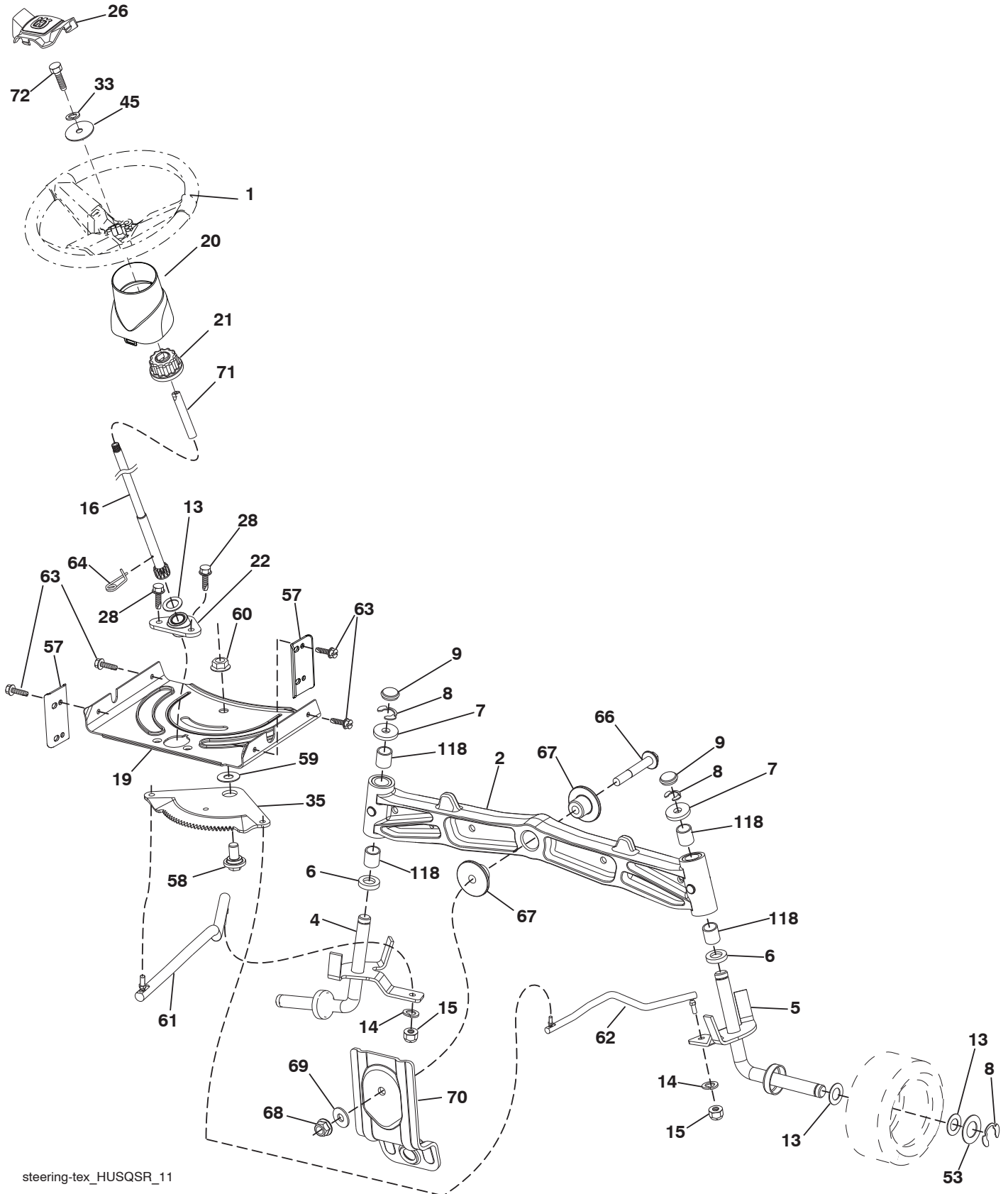
engine-tex_Kohl_10

**TRACTOR - - MODEL NO. LTH1842 (96041005203), PRODUCT NO. 960 41 00-52
ENGINE 24**

KEY NO.	PART NO.	DESCRIPTION
1	-----	Engine Kohler Model No. SV540-0212
2	532 18 86-55	Muffler
9	532 19 43-20	Keeper Belt Engine
11	532 18 05-05	Clutch, Ogura
12	532 40 50-97	Pulley Engine
15	532 40 75-45	Tank Fuel 1.5
18	532 19 77-25	Cap Asm
20	532 41 17-24	Control Throttle
21	532 41 63-58	Screw #10 x 0.750 BOS Thread
28	532 13 70-40	Fuel Line
29	532 13 71-80	Spark Arrester Kit
37	532 12 34-87	Clamp Hose
41	532 12 61-97	Washer 1-1/2 OD. x 15/32
42	810 04 07-00	Bolt 5/16-18 unc x 3/4 w/Sems
45	873 51 04-00	Nut Keps Hex 1/4-20 unc
69	532 18 59-09	Gasket
79	532 19 23-34	Screw Socket HD. 5/16-18 x .75
81	532 14 84-56	Tube Drain Oil Easy
82	532 18 16-54	Plug Drain Oil
83	532 17 18-77	Bolt 5/16-18 unc x 3/4 w/Sems
90	817 00 06-16	Screw 3/8-16 x 1
92	817 12 06-16	Screw 3/8-16 x 1
94	532 18 86-54	Tube Exhaust
95	532 17 39-37	Bolt Hex 7/16-20 x 4 Gr. 5
96	819 09 14-16	Washer 9/32 x 7/8 x 16 Ga.
97	817 67 04-12	Screw 1/4-20 x 3/4

NOTE: All component dimensions given in U.S. inches
1 inch = 25.4 mm

TRACTOR - - MODEL NO. LTH1842 (96041005203), PRODUCT NO. 960 41 00-52
STEERING ASSEMBLY **41**



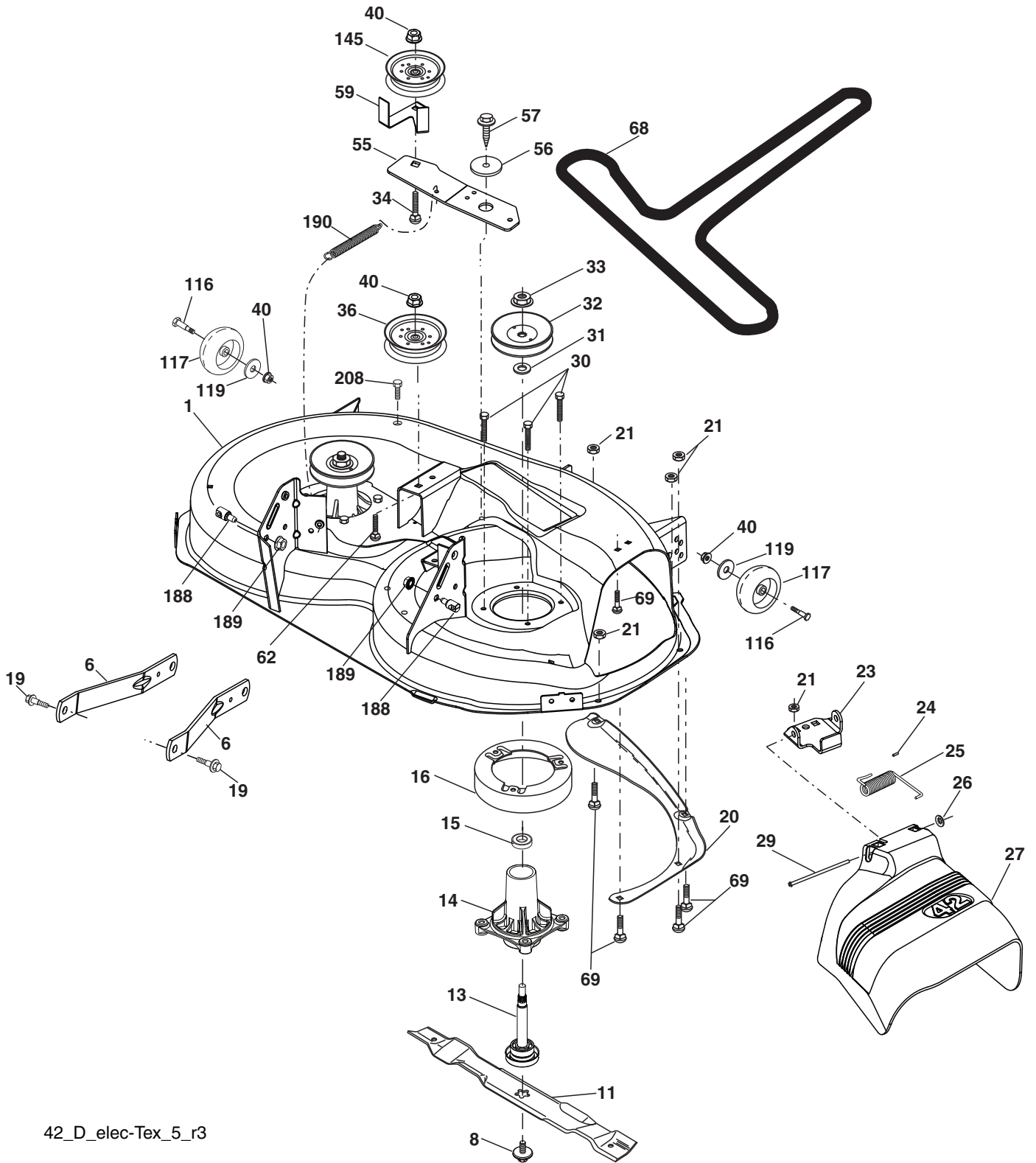
steering-tex_HUSQSR_11

**TRACTOR - - MODEL NO. LTH1842 (96041005203), PRODUCT NO. 960 41 00-52
STEERING ASSEMBLY 41**

KEY NO.	PART NO.	DESCRIPTION
1	532 41 64-80	Wheel, Steering
--	532 19 36-51	Wheel, Steering
2	532 41 35-91	Axle Asm., Front
4	532 40 30-87	Spindle Asm., LH
5	532 40 30-88	Spindle Asm., RH
6	532 12 49-31	Washer, Thrust
7	532 12 17-48	Washer 25/32 x 1-5/8 x 16 Ga.
8	812 00 00-29	Ring, Klip #T5304-75
9	532 12 12-32	Cap, Spindle
13	532 12 17-49	Washer 25/32 x 1-1/4 x 16 Ga.
14	810 04 06-00	Washer, Lock Hvy Hlcl Spr 3/8
15	873 54 06-00	Nut, Crown Lock 3/8-24 unf
16	532 19 60-74	Shaft Steering
19	532 19 47-29	Plate Steering
20	532 41 11-39	Boot, Steering
21	532 18 67-37	Adapter, Wheel Steering
22	532 19 48-45	Bushing, Strg. Blk
26	532 41 59-87	Insert, Wheel Steering
--	532 19 36-52	Insert, Wheel Steering
28	817 00 06-12	Screw 3/8-16 x 3/4
33	810 04 05-00	Washer Lock 5/16
35	532 19 47-32	Gear, Sector Plate
45	819 11 38-12	Washer 11/32 x 3/8 x 12 Ga.
53	532 18 89-67	Washer Hardened .793 x 1.637 x .060
57	532 40 74-65	Bracket Upstop
58	532 19 47-47	Bolt Shoulder Sector Pivot CFM
59	532 19 47-48	Washer Thrust Sector Steering
60	873 97 10-00	Nut Flange Lock 5/8-11
61	532 19 47-40	Draglink, LH
62	532 19 47-41	Draglink, RH
63	817 00 05-12	Screw 5/16-18 x 3/4
64	532 19 98-49	Retainer Clip Spring Steering
66	871 02 07-48	Bolt Hex Fghd 7/16-14 x 3 Serr
67	532 19 47-37	Bushing PM Front Axle
68	873 90 07-00	Nut Lock Flange 7/16-14 Gr. 5
69	532 19 91-62	Washer 1.5 x .505 x .118
70	532 19 61-97	Bracket Deck Susp. Front
71	532 19 60-75	Shaft Extension Steering
72	874 78 05-72	Bolt 5/16-18 unc x 4.5. Gr. 5
118	532 40 60-13	Bushing

NOTE: All component dimensions given in U.S. inches
1 inch = 25.4 mm

TRACTOR - - MODEL NO. LTH1842 (96041005203), PRODUCT NO. 960 41 00-52
MOWER DECK 44



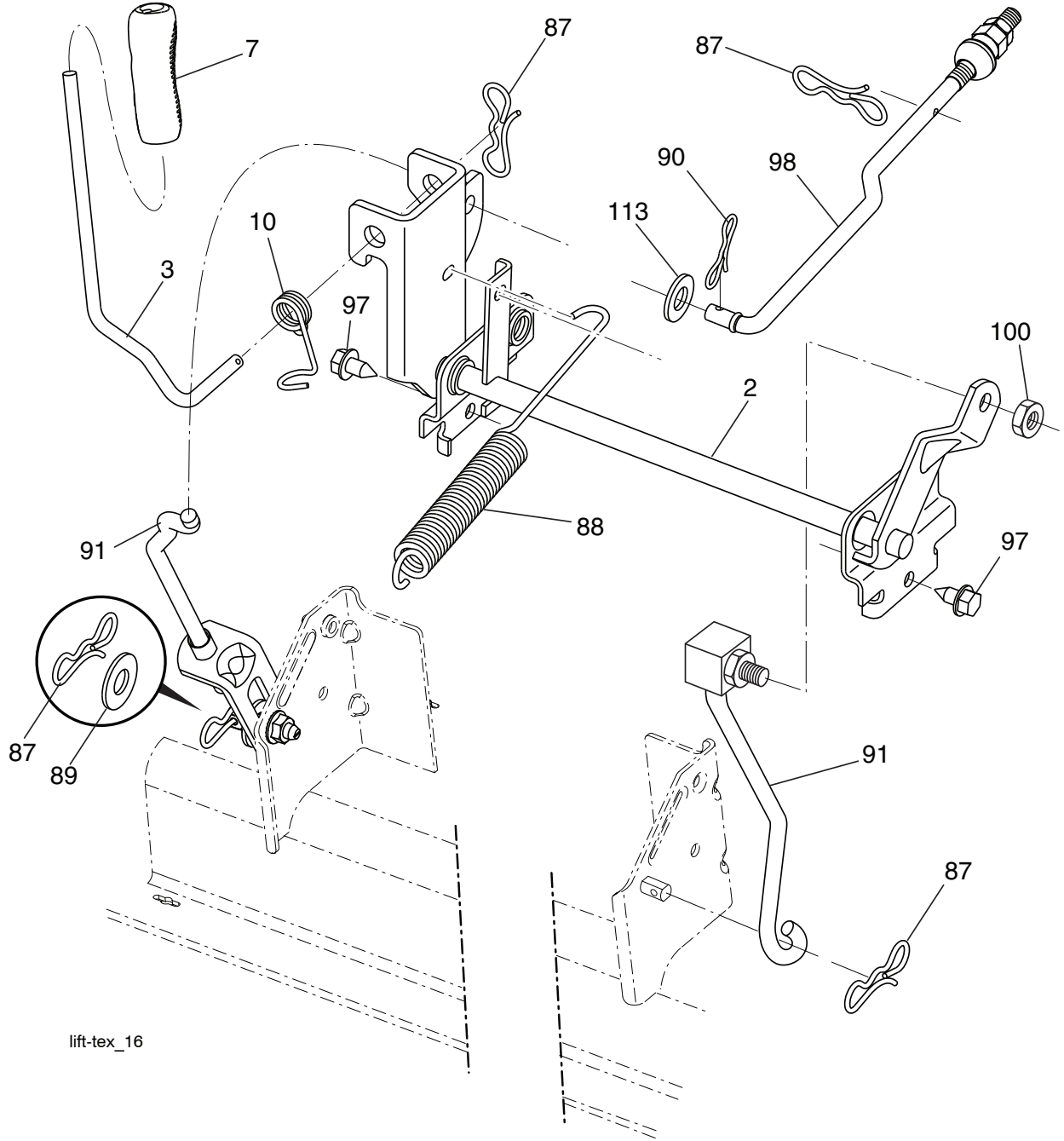
42_D_elec-Tex_5_r3

**TRACTOR - - MODEL NO. LTH1842 (96041005203), PRODUCT NO. 960 41 00-52
MOWER DECK 44**

KEY NO.	PART NO.	DESCRIPTION
1	532 19 64-95	Mower Deck Assembly, 42"
6	532 19 51-86	Arm Susp. Rear
8	532 19 30-03	Bolt/Washer Asm 7/16-20 unf (The following Blades are available)
11	532 13 89-71	Blade Mower 42" Hi-Lift (for bagging and discharging)
13	532 19 28-72	Shaft Assembly, Mandrel
14	532 18 72-81	Housing, Mandrel
15	532 11 04-85	Bearing, Ball, Mandrel
16	532 17 44-93	Stripper, Mandrel Deck
19	532 19 65-39	Bolt, Shoulder
20	532 15 97-70	Baffle, Vortex
21	873 68 05-00	Nut
23	532 19 25-57	Bracket, Deflector Mower 42"
24	532 10 53-04	Cap, Sleeve 80 x 112 Blk Mower
25	532 19 70-26	Spring, Torsion, Deflector
26	532 11 04-52	Nut, Push Phos & Oil
27	532 40 30-04	Shield, Deflector 42" Blk
29	532 13 14-91	Rod, Hinge 42" 6 75 W/G
30	532 17 39-84	Screw Thdrol
31	532 18 76-90	Washer, Spacer Mower Vented
32	532 15 35-35	Pulley, Mandrel
33	532 40 02-34	Nut, Toplock
34	872 11 06-12	Bolt Carr SH 3/8-16 x 1-1/2 Gr. 5
36	532 19 73-79	Pulley Idler Flat
40	873 90 06-00	Nut Lock 3/8-16
55	532 19 72-49	Arm, Idler
56	532 19 90-92	Spacer, Retainer
57	817 00 06-16	Screw 3/8-16 x 1
59	532 14 10-43	Guard TUV Idler
62	872 11 06-16	Bolt Rdhd Sqnk 3/8-16 unc x 2
68	532 14 49-59	V-Belt, 42" Mower
69	872 14 05-05	Bolt, Carriage 5/16-18 x 5/8
116	532 12 48-42	Bolt, Shoulder
117	532 18 86-06	Wheel, Gauge
119	819 12 14-14	Washer 3/8 x 7/8 x 14
145	532 19 31-97	Pulley, Idler, Flat
188	532 19 51-61	Stud Fastner W/D Anti-Rotation
189	873 90 05-00	Nut Lock Hex Flange 5/16-18
190	532 19 72-51	Spring Mower Drive
208	817 67 06-08	Screw THDROL 3/8-16 x 1/2
--	532 19 28-70	Mandrel Assembly (Includes Hous- ing Shaft and Shaft Hardware Only - Pulley Not Included)
--	532 19 97-50	Replacement Mower, Complete (Std. deck Order separately gauge wheel components Key Nos. 116-119)

NOTE: All component dimensions given in U.S. inches
1 inch = 25.4 mm

TRACTOR - - MODEL NO. LTH1842 (96041005203), PRODUCT NO. 960 41 00-52
MOWER LIFT 45



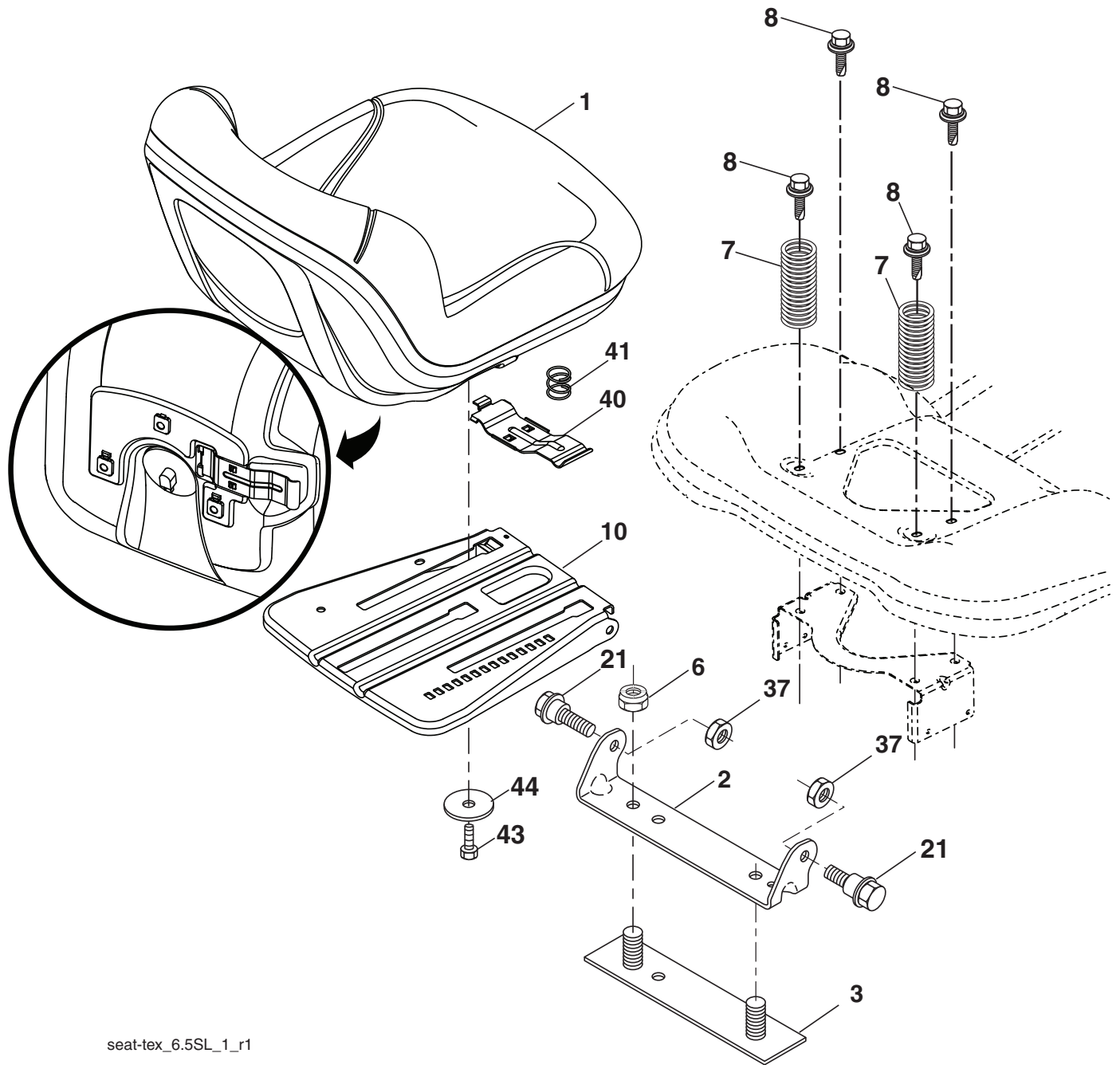
lift-tex_16

KEY NO.	PART NO.	DESCRIPTION
2	532 19 52-23	Shaft Asm., Lift
3	532 19 52-31	Lever Asm., Lift RH
7	532 41 15-55	Grip, Lever
10	532 19 63-14	Spring Torsion
87	532 19 42-09	Pin Cotter 7/16 Bow Tie Lock
88	532 41 07-10	Spring Lift Assist
89	819 19 19-12	Washer Clear Zinc
90	532 19 42-08	Pin Cotter 5/16 Bow Tie Lock

KEY NO.	PART NO.	DESCRIPTION
91	532 19 51-81	Link Lift Susp Mower Rear
97	817 00 06-12	Screw Hex WSH THDR 3/8-16 x 3/4
98	532 19 52-70	Link Lift Susp. Front Mower
100	873 93 06-00	Nut Centerlock 3/8-16
113	819 17 19-12	Washer 17/32 x 1-3/16 x 12 Ga.

NOTE: All component dimensions given in U.S. inches
 1 inch = 25.4 mm

**TRACTOR - - MODEL NO. LTH1842 (96041005203), PRODUCT NO. 960 41 00-52
SEAT ASSEMBLY 42**



seat-tex_6.5SL_1_r1

KEY NO.	PART NO.	DESCRIPTION
1	532 19 75-18	Seat
2	532 18 01-66	Bracket Pivot Fender
3	532 14 06-75	Strap, Asm Fender
6	873 80 06-00	Nut, Lock w/Ins. 3/8-16 unc
7	532 12 41-81	Spring, Seat Cprsn
8	532 17 18-77	Bolt 5/16-18 unc x 3/4 w/Sems
10	532 19 69-77	Pan, Seat
21	532 17 18-52	Bolt, Shoulder 5/16-18

KEY NO.	PART NO.	DESCRIPTION
37	873 80 05-00	Nut, Lock 5/16-18 unc
40	532 19 76-61	Handle Slide
41	532 19 82-00	Spring Latch Seat
43	874 76 06-12	Bolt Fin Hex 3/8-16 unc x 3/4
44	819 13 38-12	Washer 13/32 x 2-3/8 x 12 Ga.

NOTE: All component dimensions given in U.S. inches
1 inch = 25.4 mm

