



61

Spare parts

Ersatzteile

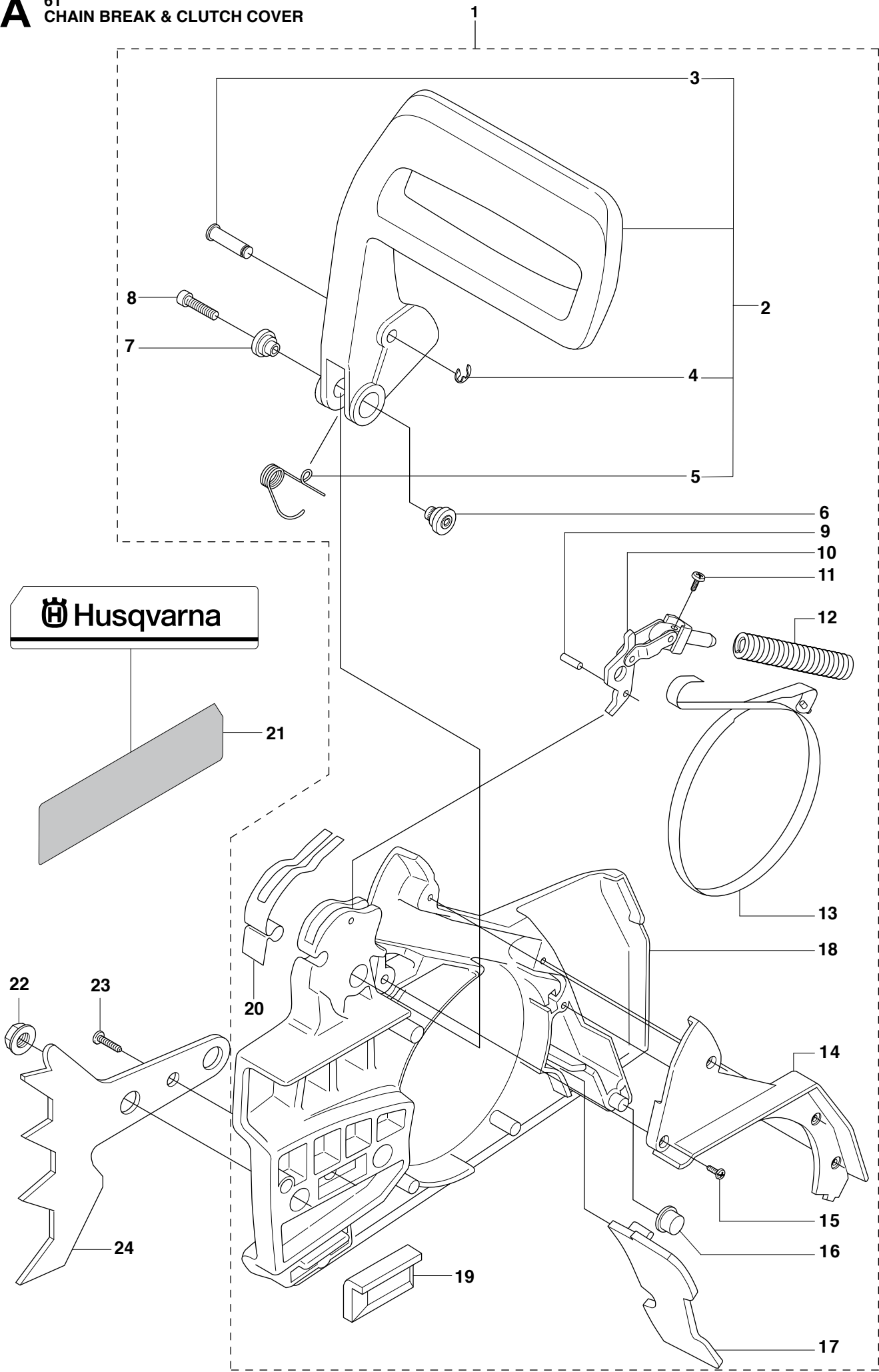
Pièces détachées

Reserve onderdelen

Repuestos

Reservdelar

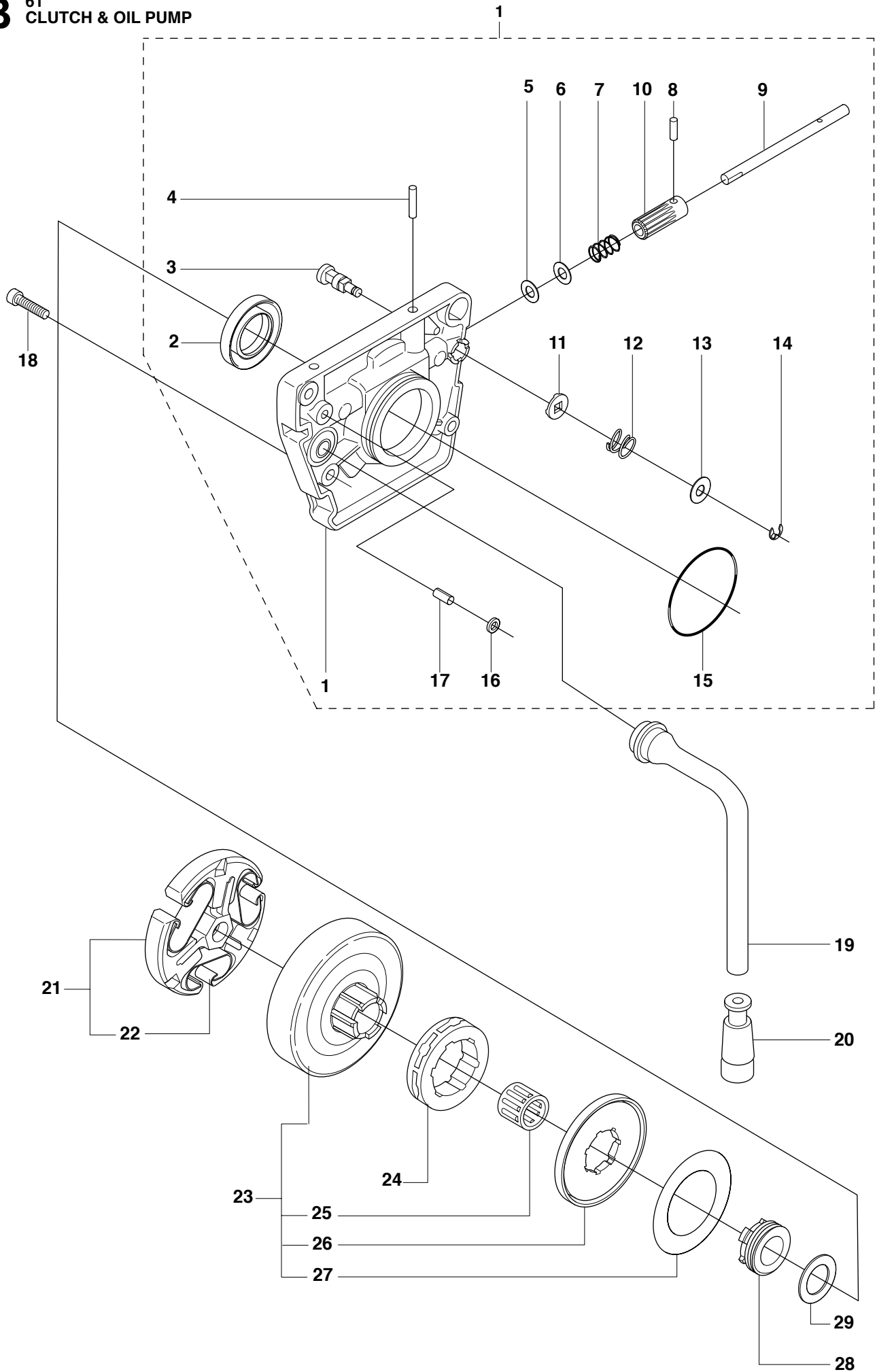
A 61 CHAIN BREAK & CLUTCH COVER



CHAIN BREAK & CLUTCH COVER

Position	Article	Quantity	Notes	Kit
1	503 73 66-01	1		
2	503 72 74-01	1		1
3	503 80 27-01	1		2, 1
4	735 31 08-20	1		2, 1
5	506 16 48-01	1		2, 1
6	503 52 08-01	1		1
7	501 76 80-01	1		1
8	503 20 26-16	1		1
9	720 12 33-51	1		1
10	501 87 53-03	1		1
11	503 21 28-10	1		1
12	503 70 99-01	1		1
13	503 70 40-01	1		1
14	503 70 47-01	1		1
15	503 21 28-10*	4		1
16	503 72 31-01	1		1
17	503 73 05-01	1		1
18	503 70 46-01	1		1
19	501 51 72-01	1		1
20	501 87 47-01	1		1
21	503 76 81-01	1		
22	503 22 00-01	2		
23	725 53 27-55	1		
24	503 59 07-01	1		

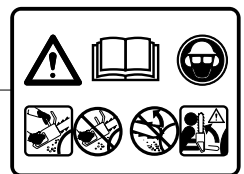
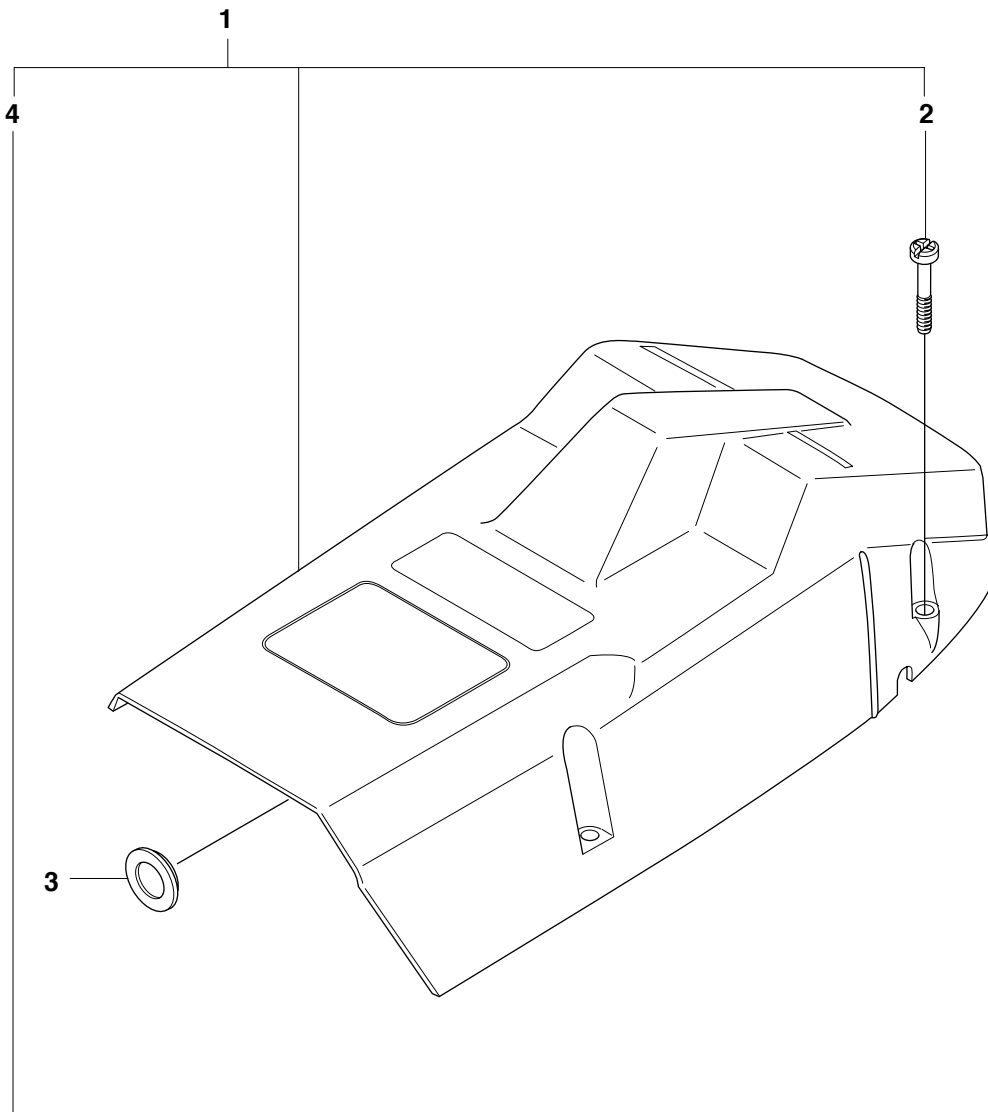
B 61
CLUTCH & OIL PUMP



CLUTCH & OIL PUMP

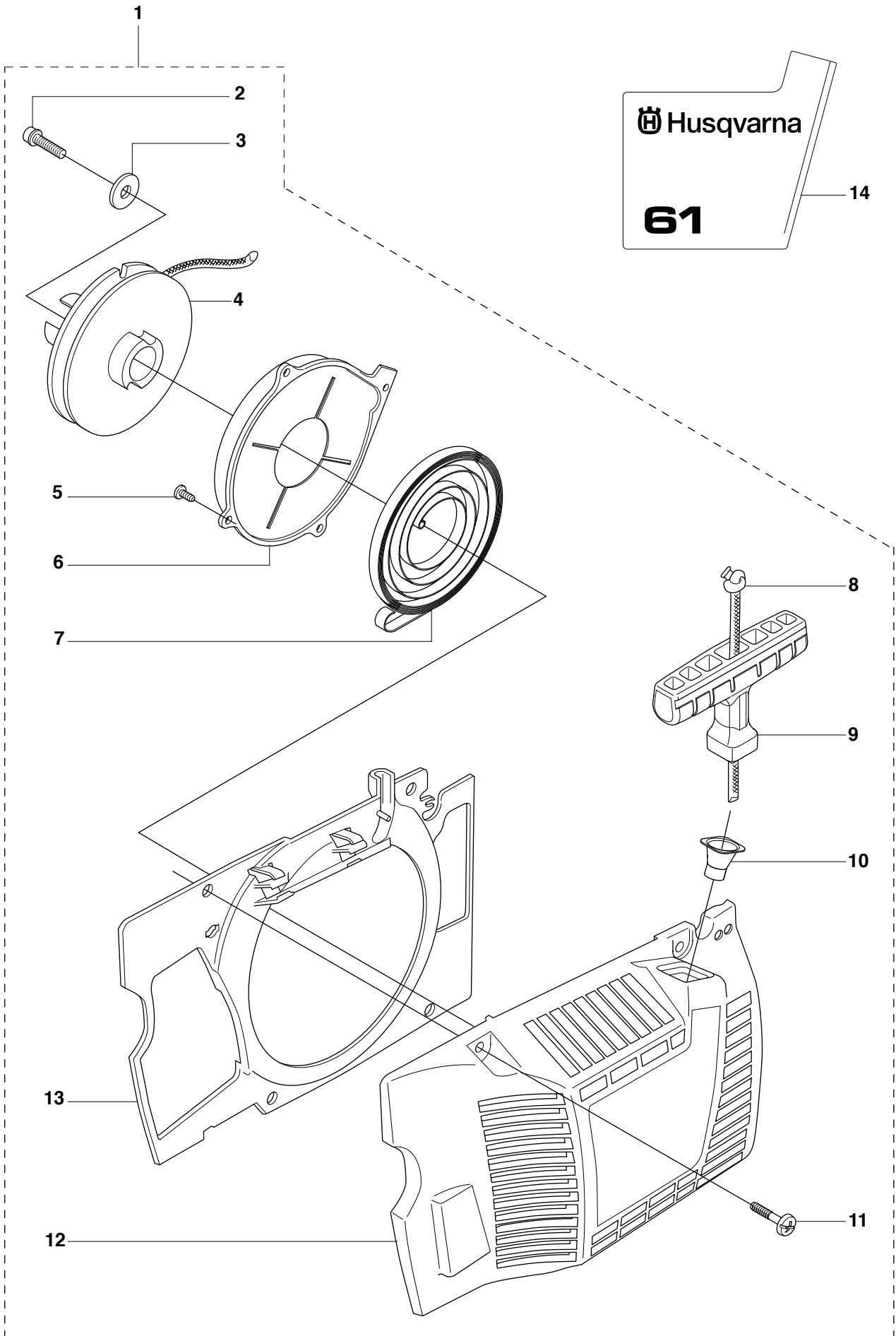
Position	Article	Quantity	Notes	Kit
1	501 51 25-01	1		
2	503 26 02-04	1		1
3	501 51 36-01	1		1
4	720 12 37-50	1		1
5	503 23 10-01	1		1
6	503 23 00-16	1		1
7	501 51 34-01	1		1
8	501 51 33-01	1		1
9	501 51 32-01	1		1
10	501 51 31-01	1		1
11	501 51 37-01	1		1
12	501 51 39-01	1		1
13	734 48 48-01	1		1
14	735 31 07-20	1		1
15	740 42 21-00	1		1
16	501 28 85-01	1		1
17	721 42 03-25	1		1
18	725 52 93-56	3		
19	501 51 99-01	1		
20	501 54 41-02	1		
21	503 74 44-02	1		
22	537 36 06-01	3		21
23	501 83 15-04	1	3/8"x7	
23	501 83 15-03	1	3/8"x8	
24	501 59 80-02	1	3/8"x7	
24	505 30 36-61	1	3/8"x8	
25	503 25 34-01	1		23
26	501 83 17-01	1		23
27	501 53 59-01	1		23
28	501 51 38-01	1		
29	503 23 00-13	1		

C 61
COVER



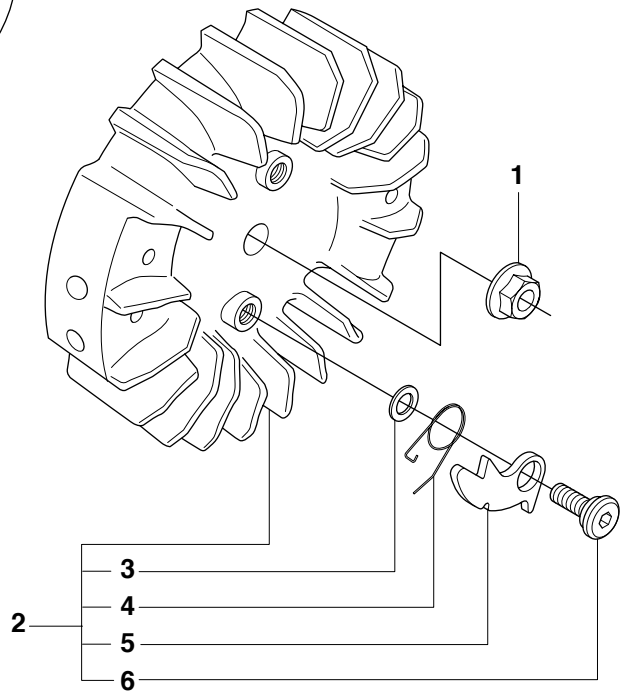
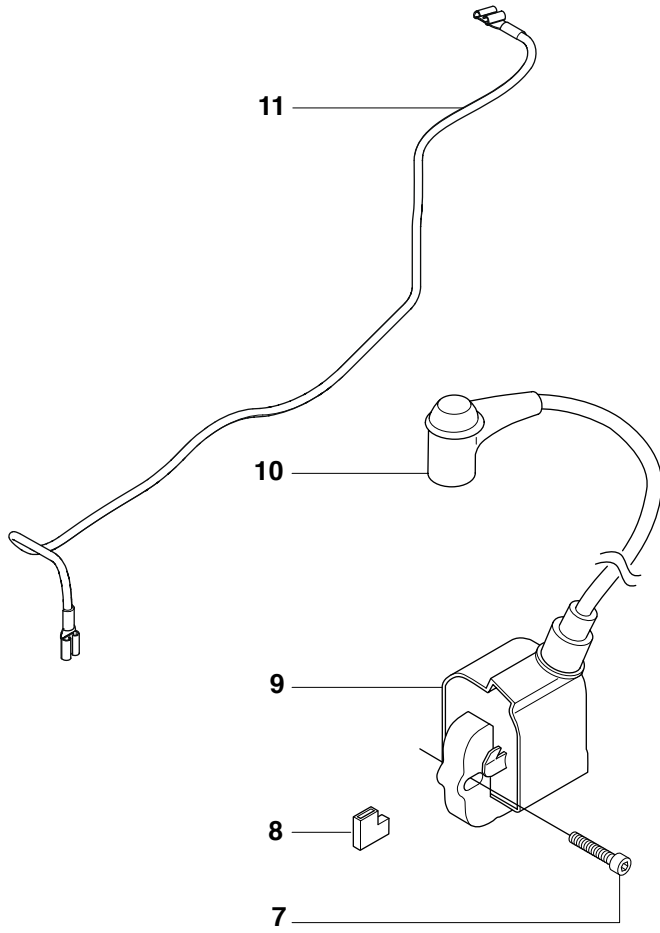
Position	Article	Quantity	Notes	Kit
1	503 61 00-04	1		
2	503 20 32-28	4		1
3	503 40 59-01	1		
4	503 98 74-01	1		1

D 61
STARTER



Position	Article	Quantity	Notes	Kit
1	503 61 55-71			
2	503 21 49-16	1		1
3	503 23 43-02	1		1
4	503 10 24-05	1		1
5	503 21 28-06	2		1
6	501 52 95-02	1		1
7	501 52 04-02	1		1
8	501 20 15-02	1		1
9	503 54 39-01	1		1
10	501 63 06-01	1		1
11	503 20 34-16	4		1
12	503 61 56-01	1		1
13	501 65 92-01	1		1
14	503 62 39-01	1		

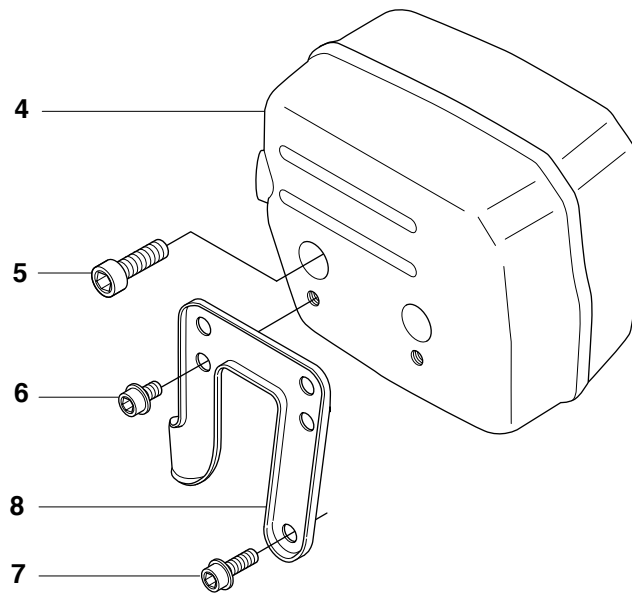
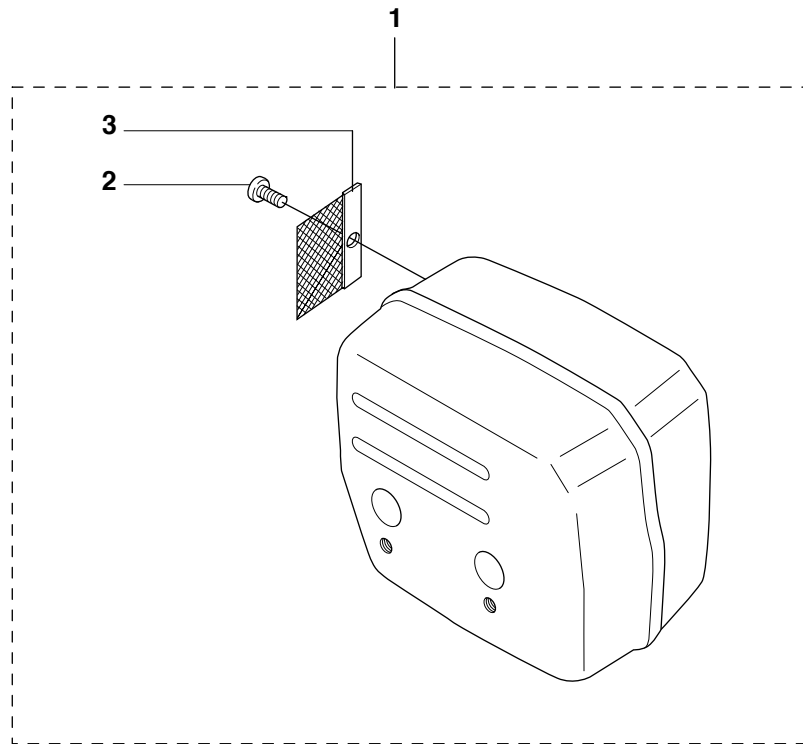
E 61
ELECTRICAL



ELECTRICAL

Position	Article	Quantity	Notes	Kit
1	503 22 04-01	1		
2	537 05 16-02	1		
3	503 23 00-42	2		2
4	501 67 35-01	2		2
5	501 67 32-01	2		2
6	501 81 99-01	2		2
7	503 20 25-20	2		
8	503 23 72-02	1		
9	544 01 84-01	1		
10	501 48 54-02	1		
11	501 83 98-01	1		

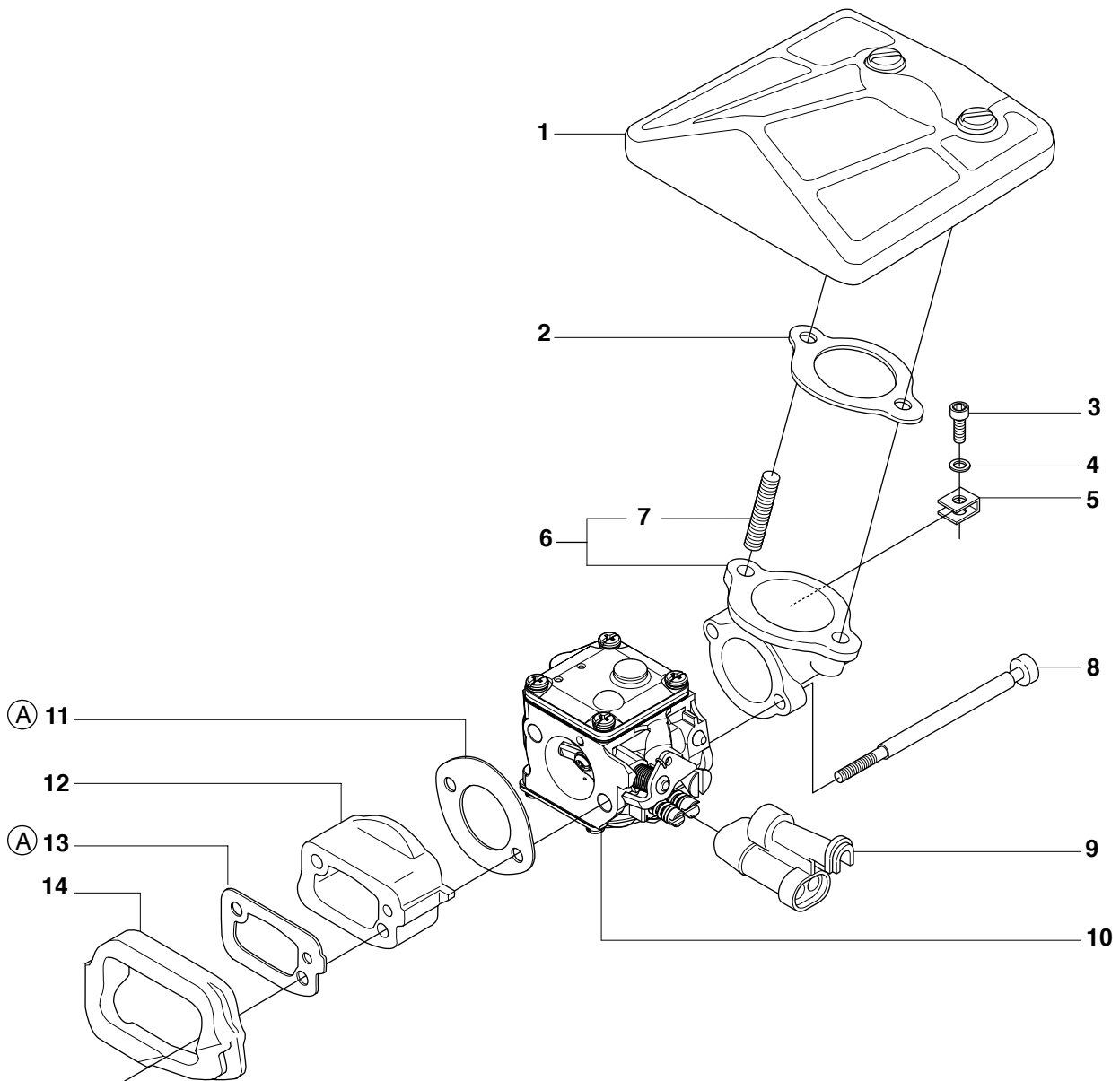
F 61
MUFFLER



MUFFLER

Position	Article	Quantity	Notes	Kit
1	503 59 92-05	1	DF	
2	724 12 87-59	1		1
3	503 66 91-01	1		1
4	503 47 69-01	1	TUBE	
5	725 53 70-55	2		
6	503 20 02-10	2		
7	503 20 02-16	1		
8	503 53 59-01	1		

G 61
CARBURETTOR & AIR FILTER



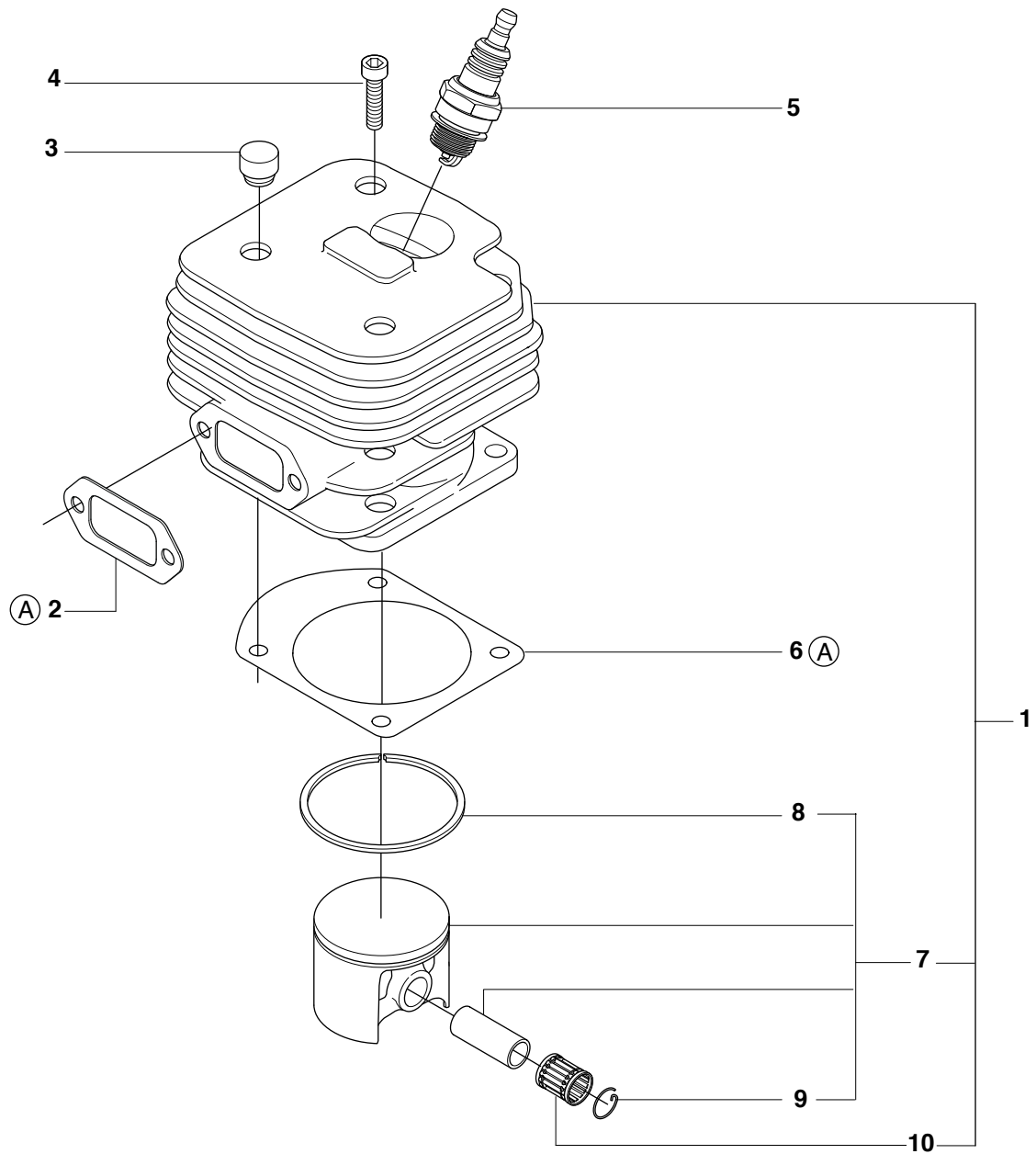
15

Ⓐ 501 52 26-02
Set of gaskets

CARBURETTOR & AIR FILTER

Position	Article	Quantity	Notes	Kit
1	501 80 71-01	1	80 μ	
1	501 80 71-06	1	40 μ	
1	501 80 71-05	1	FELT	
2	501 81 56-01	1		
3	725 52 93-56	1		
4	503 23 00-01	1		
5	503 48 98-01	1		
6	504 35 86-10	1		
7	503 20 80-06	2		6
8	503 20 21-82	2		
9	503 44 51-01	1		
10	574 33 16-01	1	Walbro WJ 125	
11	501 29 64-02	1		15
12	501 53 38-03	1		
13	501 25 10-02	1		15
14	503 61 03-01	1		
15	501 52 26-02	1	A = Set of gaskets	

H 61
CYLINDER PISTON

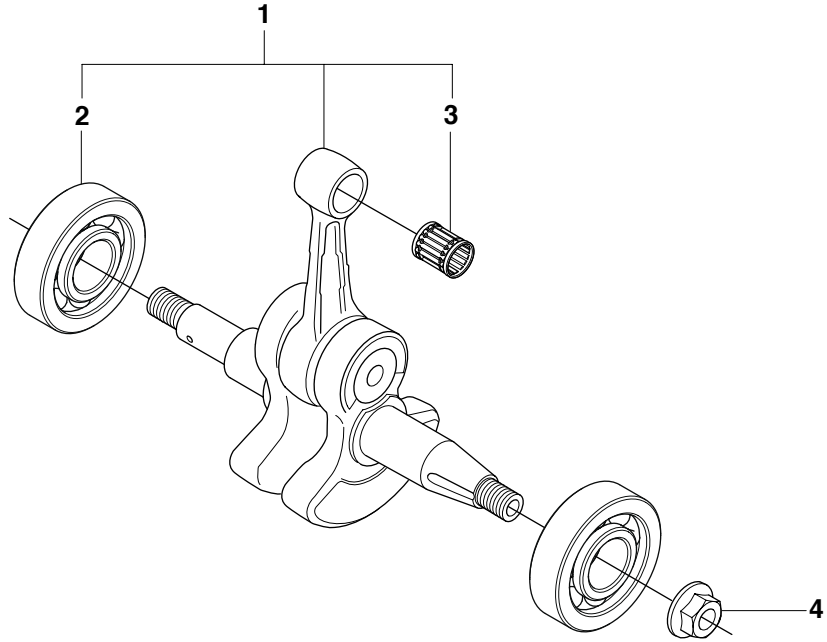


11
Ⓐ 501 52 26-02
Set of gaskets

CYLINDER PISTON

Position	Article	Quantity	Notes	Kit
1	544 22 28-02	1		
2	503 40 54-01	1		11
3	501 51 54-01	1		
4	503 21 60-25	4		
5	503 23 51-08	1	RCJ 7Y	
6	501 51 22-04	1		11
7	544 22 38-02	1		1
8	544 22 48-01	1		7, 1
9	737 43 12-00	2		7, 1
10	503 73 39-01	1		1
11	501 52 26-02	1	A = Set of gaskets	

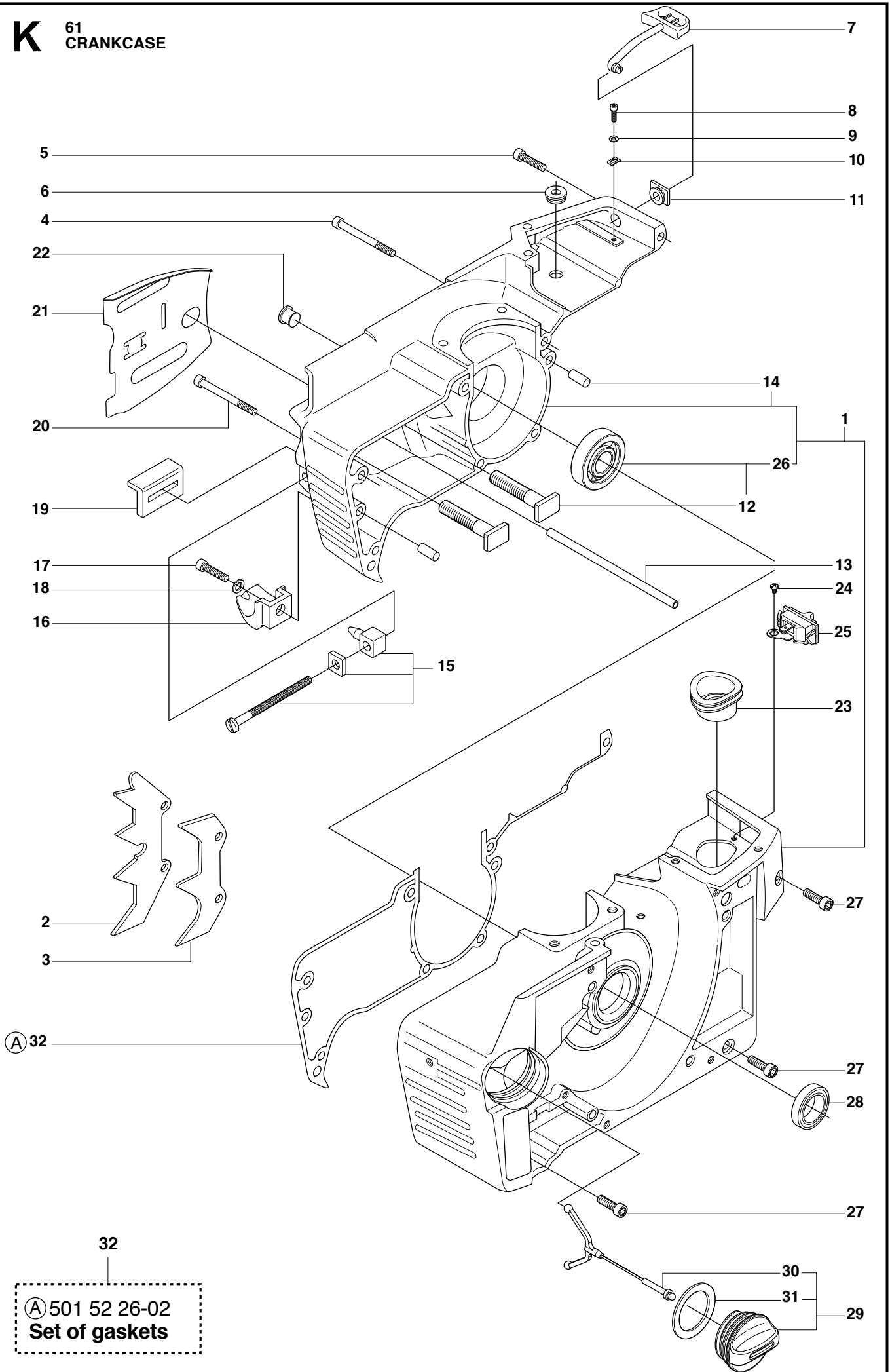
J 61
CRANKSHAFT



CRANKSHAFT

Position	Article	Quantity	Notes	Kit
1	503 61 33-71	1		
2	738 22 02-25	2		1
3	503 73 39-01	1		1
4	503 22 04-01	1		

K 61
CRANKCASE

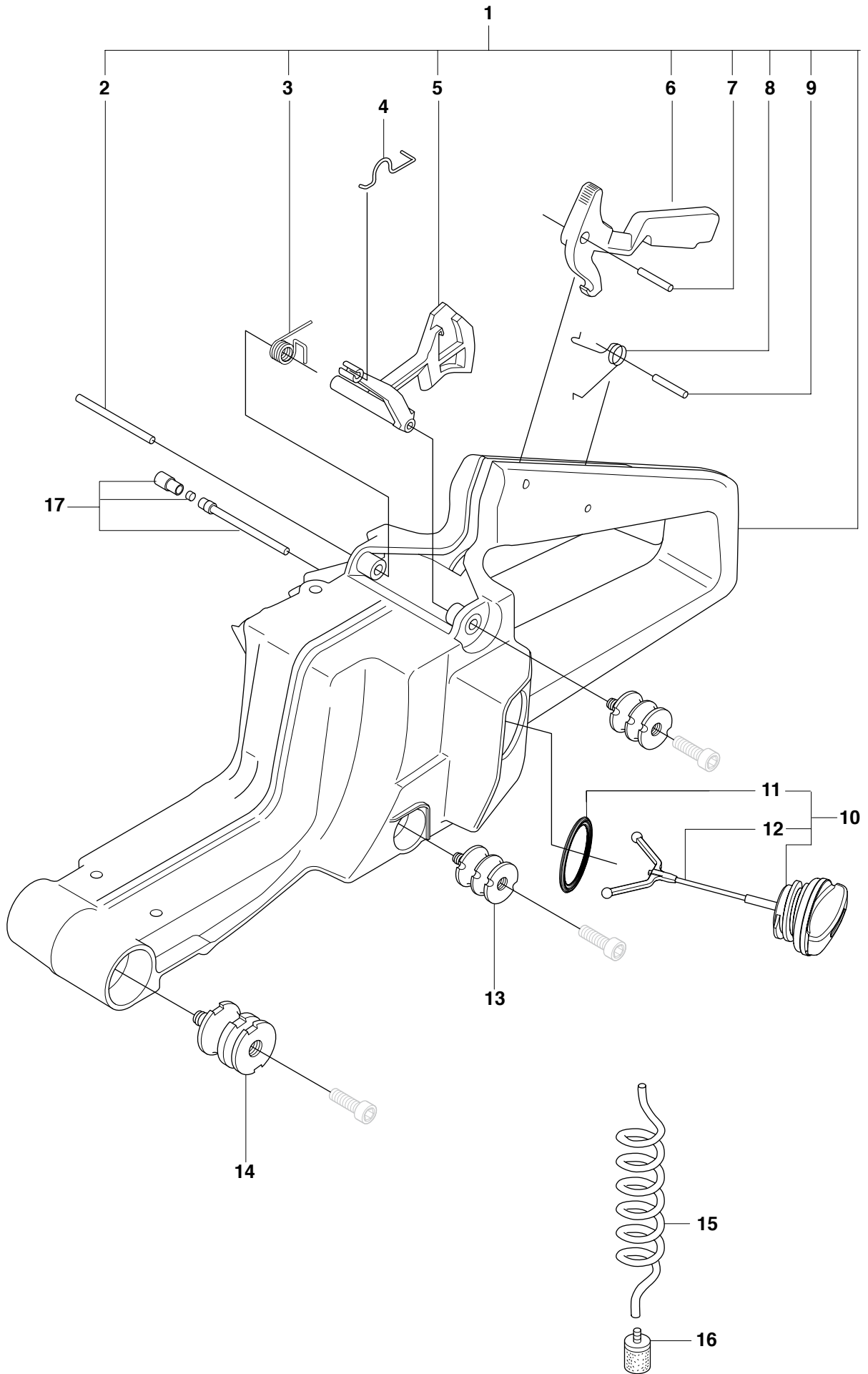


(A) 501 52 26-02
Set of gaskets

CRANKCASE

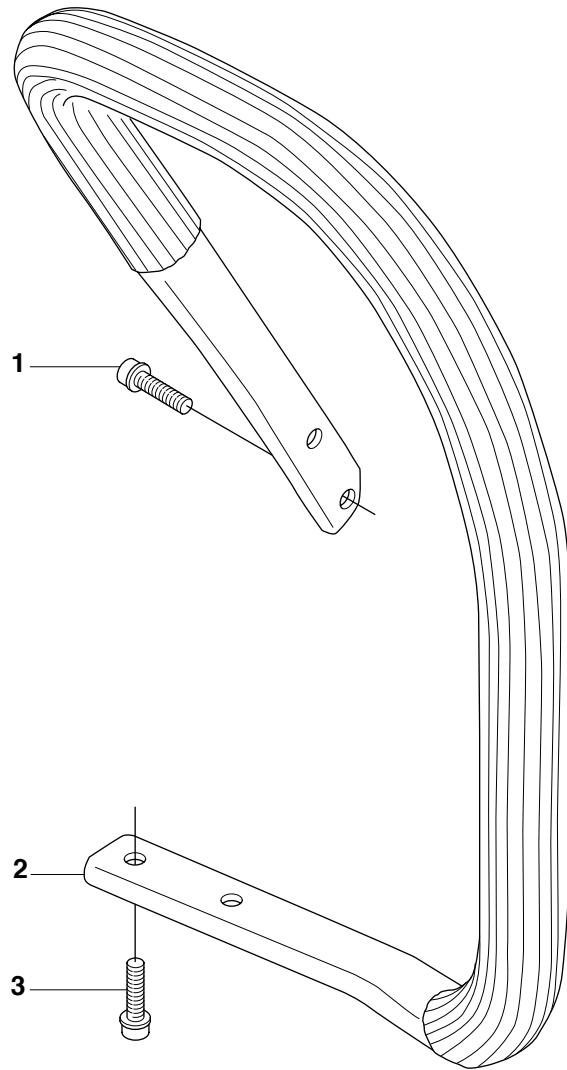
Position	Article	Quantity	Notes		Kit
1	501 77 99-01	1			
2	503 59 08-01	1			
3	501 52 81-01	1			
4	725 53 37-55	4			
5	725 53 31-55	1			
6	503 69 76-01	1			
7	501 52 79-02	1			
8	725 52 93-56	1			
9	503 23 00-01	1			
10	503 44 64-01	1			
11	501 52 78-01	1			
12	501 81 57-01	2			1
13	503 66 84-03	1			
14	720 13 07-10	2			1
15	501 53 71-01	1			
16	503 53 58-01	1			
17	725 53 27-55	1			
18	503 23 00-42	1			
19	501 51 72-01	1			
20	725 53 41-55	2			
21	501 81 48-01	1			
22	503 27 90-04	1			
23	503 44 50-01	1			
24	503 21 28-06	1			
25	503 71 79-01	1			
26	738 22 02-25	2			1
27	725 53 27-55	6			
28	503 26 02-04	2			
29	501 62 66-02	1			
30	503 57 89-01	1			29
31	501 62 68-01	1			29
32	501 52 26-02	1	A = Set of Gaskets		

L 61
HANDLE & CONTROLS



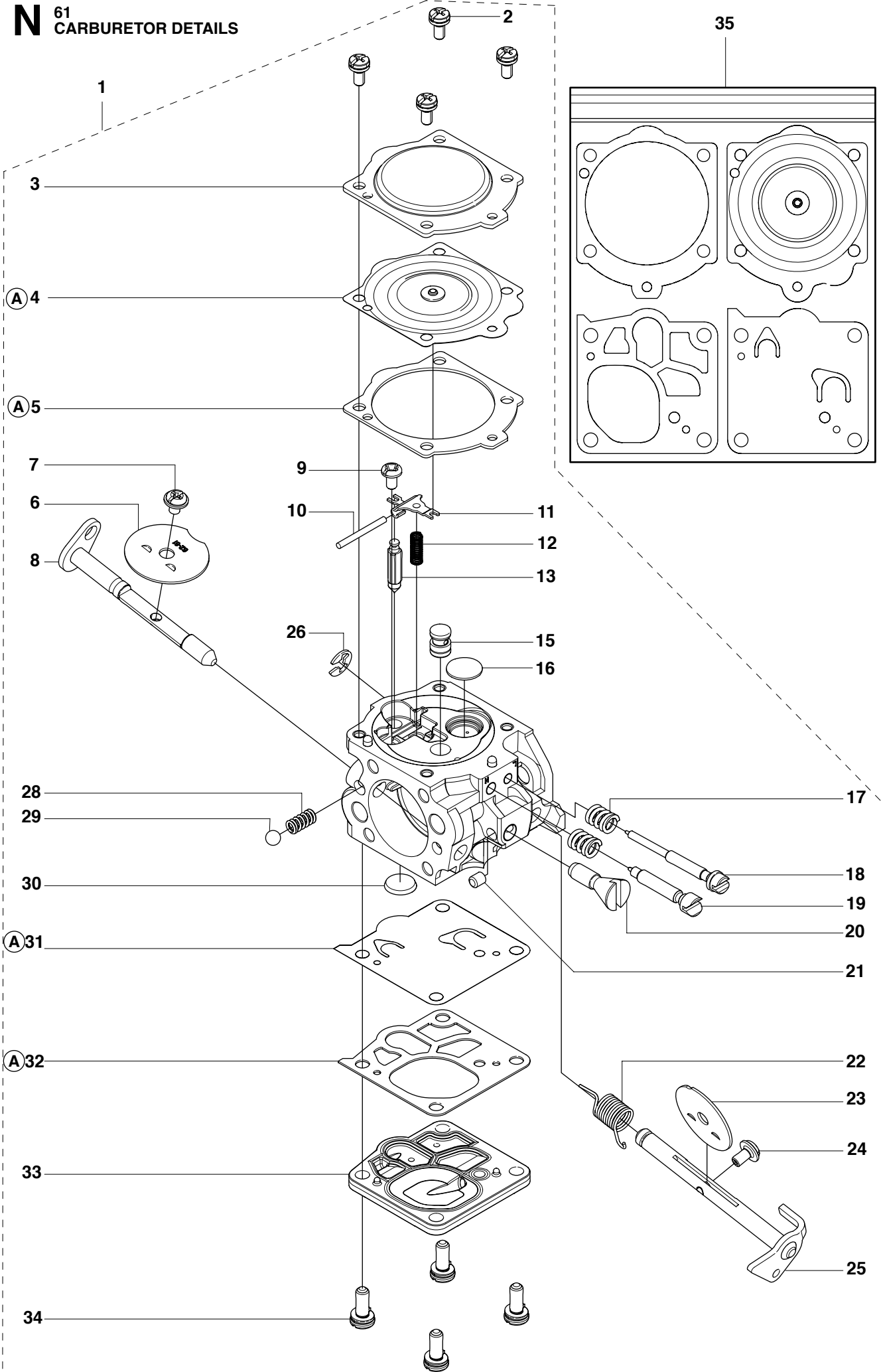
Position	Article	Quantity	Notes	Kit
1	501 69 90-10	1		
2	501 51 97-02	1		1
3	501 52 88-01	1		1
4	503 44 58-01	1		
5	501 51 80-02	1		1
6	501 51 81-02	1		1
7	721 42 12-26	1		1
8	501 42 41-01	1		1
9	721 42 12-26	1		1
10	501 43 14-02	1		
11	501 27 82-01	1		10
12	503 57 89-01	1		10
13	501 77 34-01	4	SOFT	1
13	501 62 87-01	4	HARD	
14	501 77 35-01	2	SOFT	1
14	501 69 94-01	2	HARD	
15	544 32 50-01	1		
16	503 44 32-01	1		
17	501 62 96-01	1		

M 61
HANDLE



Position	Article	Quantity	Notes	Kit
1	503 21 06-22	2		
2	501 53 45-03	1		
3	503 21 06-22	2		

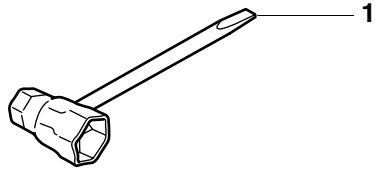
N 61 CARBURETOR DETAILS



CARBURETOR DETAILS

Position	Article	Quantity	Notes		Kit
1	574 33 16-01	1	Walbro WJ 125		
2	503 10 87-01	4			1
3	505 31 67-02	1			1
4	503 63 58-01	1			1, 35
5	501 46 75-01	1			1, 35
6	505 31 67-07	1			1
7	537 00 34-01	1			1
8	502 52 59-01	1			1
9	505 31 67-17	1			1
10	505 31 67-31	1			1
11	505 31 67-34	1			1
12	503 11 76-01	1			1
13	503 11 70-01	1			1
15	503 80 04-01	1			1
16	503 57 41-01	1			1
17	504 21 00-50	2			1
18	503 48 37-01	1	Low speed needle		1
19	502 52 65-01	1	High speed needle		1
20	544 89 76-01	1			1
21	503 80 05-01	1			1
22	502 52 64-01	1			1
23	544 33 17-01	1			1
24	544 11 15-01	1			1
25	502 52 58-01	1			1
26	505 31 67-36	1			1
28	503 11 77-01	1			1
29	503 11 71-01	1			1
30	501 66 61-01	1			1
31	544 89 72-01	1			1, 35
32	503 11 72-01	1			1, 35
33	503 59 58-01	1			1
34	503 11 75-01	4			1
35	502 52 92-01	1	B2602-WJ, A = Set of Gaskets		

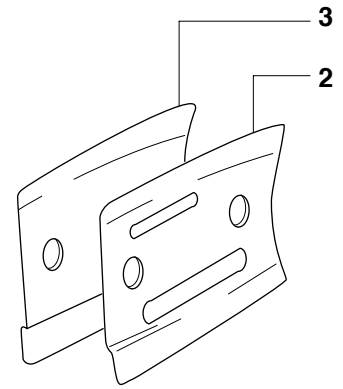
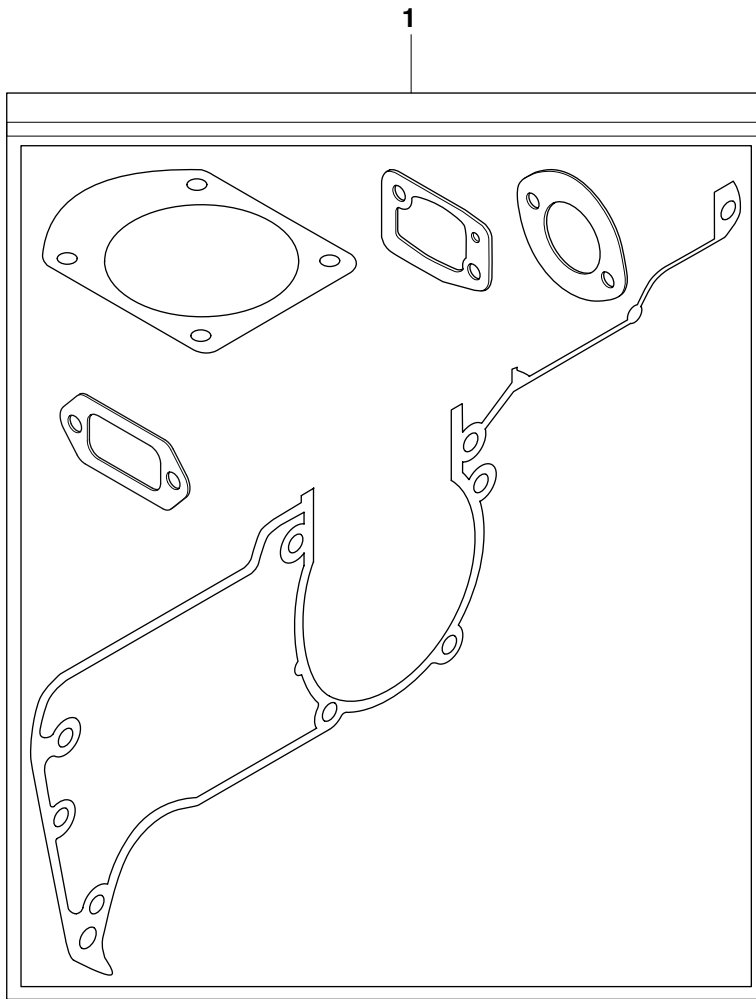
P 61
ACCESSORIES



ACCESSORIES

Position	Article	Quantity	Notes	Kit
1	503 55 85-04	1		

Q 61
SET OF GASKETS



SET OF GASKETS

Position	Article	Quantity	Notes		Kit
1	501 52 26-02	1	A = Set of Gaskets		
2	501 44 44-01	1			
3	501 44 45-01	1			