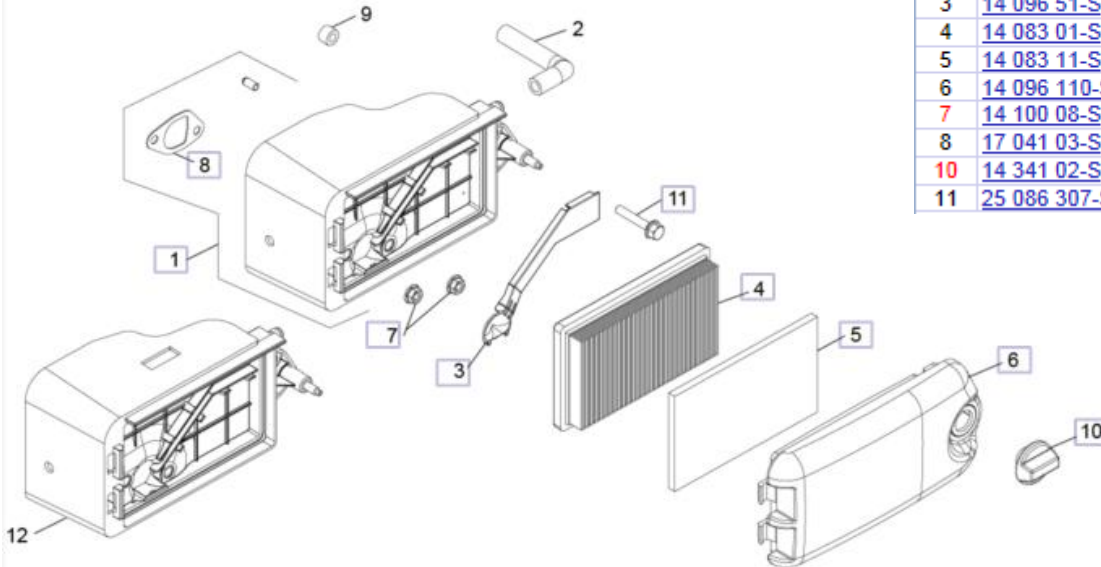
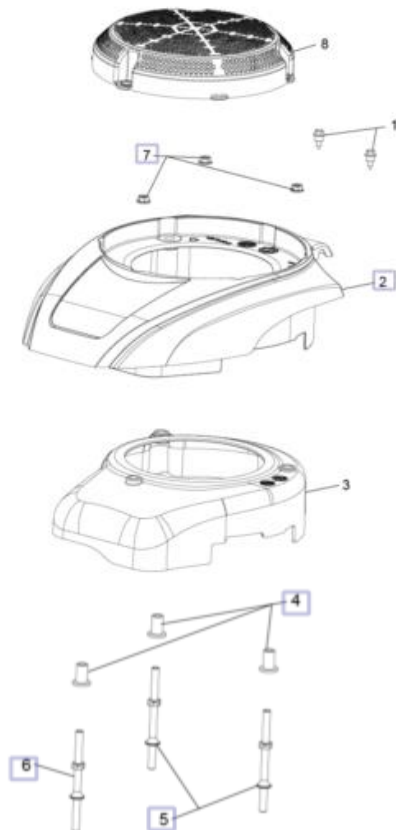


**AIR INTAKE GROUP  
XT775**



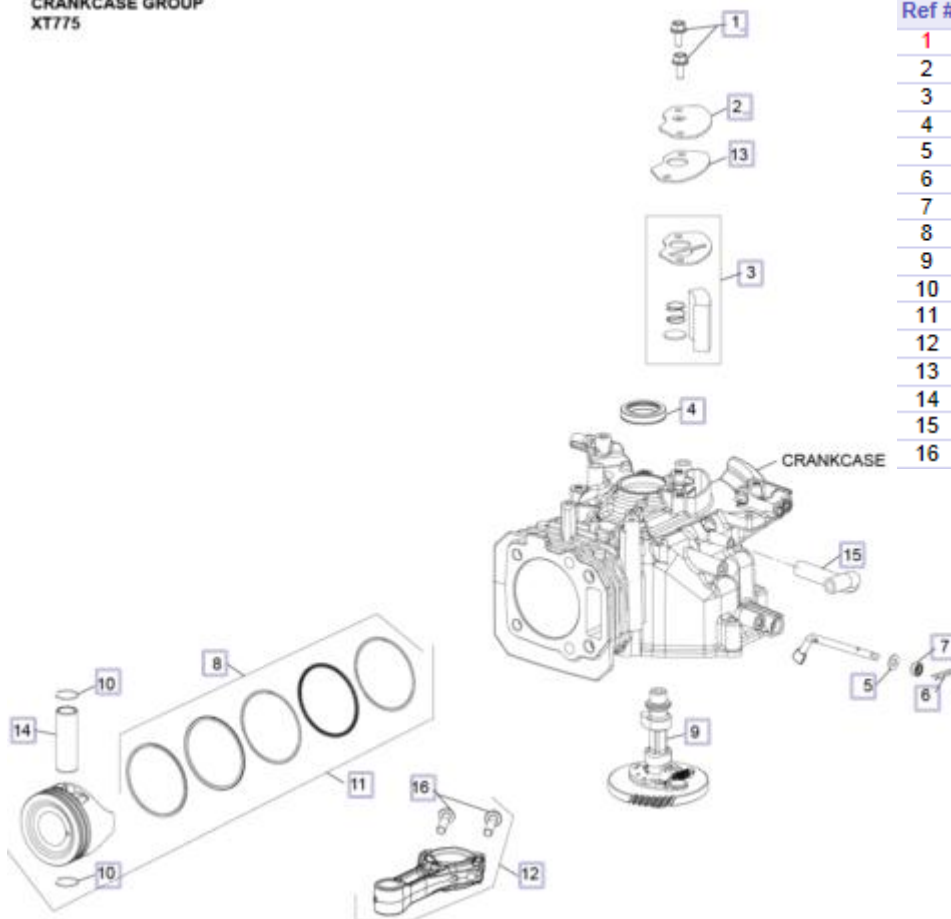
Ref #	Part #	Description	Qty
1	<a href="#">14 094 13-S</a>	BASE, A/C, NON-PRIMER -...	1
3	<a href="#">14 096 51-S</a>	COVER, A/C BASE (BREA...	1
4	<a href="#">14 083 01-S</a>	ELEMENT, AIR CLEANER	1
5	<a href="#">14 083 11-S</a>	ELEMENT, CARBON PRE-...	1
6	<a href="#">14 096 110-S</a>	COVER, AIR CLEANER	1
7	<a href="#">14 100 08-S</a>	NUT, HEX FLANGE (M6) - ...	2
8	<a href="#">17 041 03-S</a>	KIT, INTAKE GASKET	1
10	<a href="#">14 341 02-S</a>	KNOB USE 14 341 07-S	1
11	<a href="#">25 086 307-S</a>	SCREW, HEX FLANGE (M...	1

**BLOWER HOUSING GROUP  
XT775**



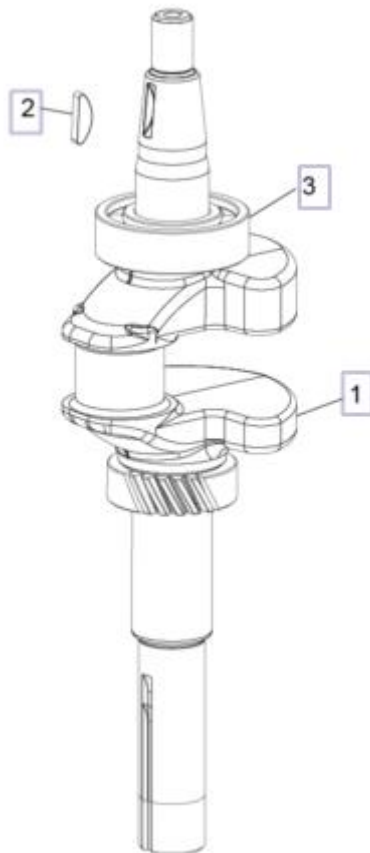
Ref #	Part #	Description	Qty
2	<a href="#">14 096 121-S</a>	COVER, ENGINE	1
4	<a href="#">14 112 07-S</a>	SPACER	3
5	<a href="#">14 072 12-S</a>	STUD - (#1407226S)	2
6	<a href="#">14 072 13-S</a>	STUD - (#1407225S)	1
7	<a href="#">14 100 08-S</a>	NUT, HEX FLANGE (M6) - ...	3

**CRANKCASE GROUP  
XT775**



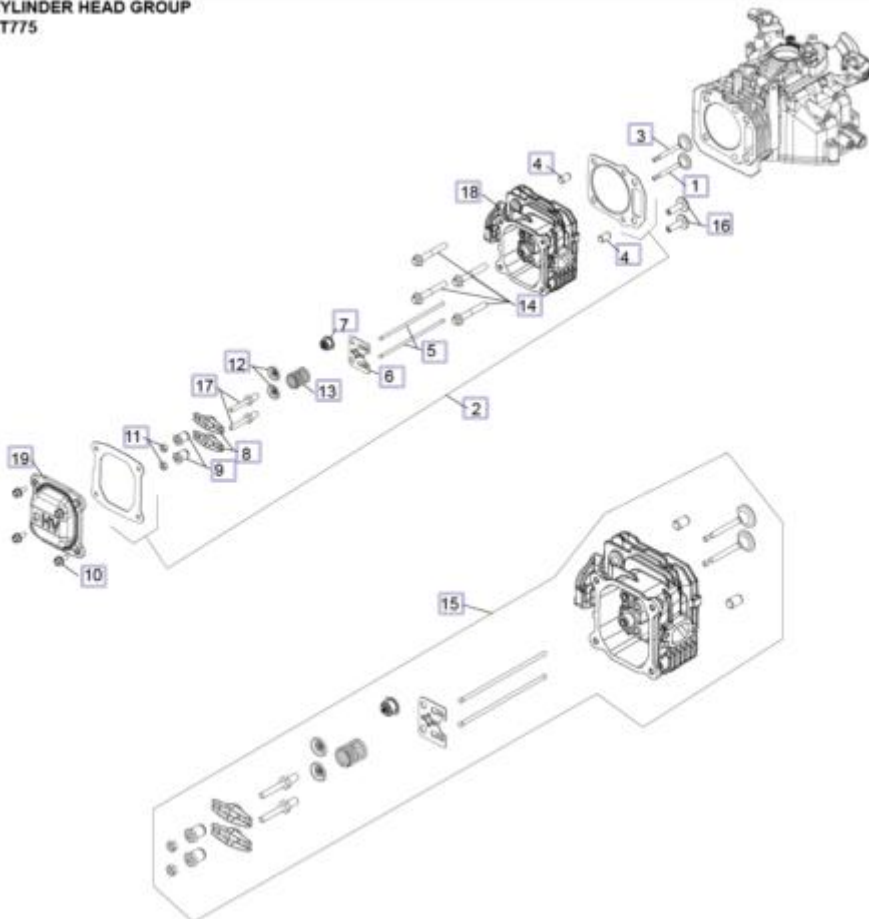
Ref #	Part #	Description	Qty
1	<a href="#">25 086 159-S</a>	SCREW, HEX FLANGE (M...	2
2	<a href="#">14 096 22-S</a>	COVER, BREATHER	1
3	<a href="#">14 050 01-S</a>	KIT, BREATHER FILTER	1
4	<a href="#">14 032 02-S</a>	SEAL, CCASE/FLYWHEEL	1
5	<a href="#">14 468 07-S</a>	WASHER, FLAT (DIA 13M...	1
6	<a href="#">14 154 01-S</a>	CLIP, GOVERNOR SHAFT	1
7	<a href="#">14 032 04-S</a>	SEAL, OIL	1
8	<a href="#">14 108 02-S</a>	RING SET	1
9	<a href="#">14 010 12-S</a>	CAMSHAFT ASSEMBLY	1
10	<a href="#">14 018 03-S</a>	RETAINER, PISTON PIN	2
11	<a href="#">14 874 03-S</a>	KIT, PISTON	1
12	<a href="#">14 067 01-S</a>	CONNECTING ROD	1
13	<a href="#">14 041 30-S</a>	GASKET, BREATHER COV...	1
14	<a href="#">14 380 04-S</a>	PIN, PISTON	1
15	<a href="#">14 123 05-S</a>	HOSE, BREATHER	1
16	<a href="#">25 086 150-S</a>	SCREW, HEX FLANGE (M...	1

**CRANKSHAFT GROUP XT775**



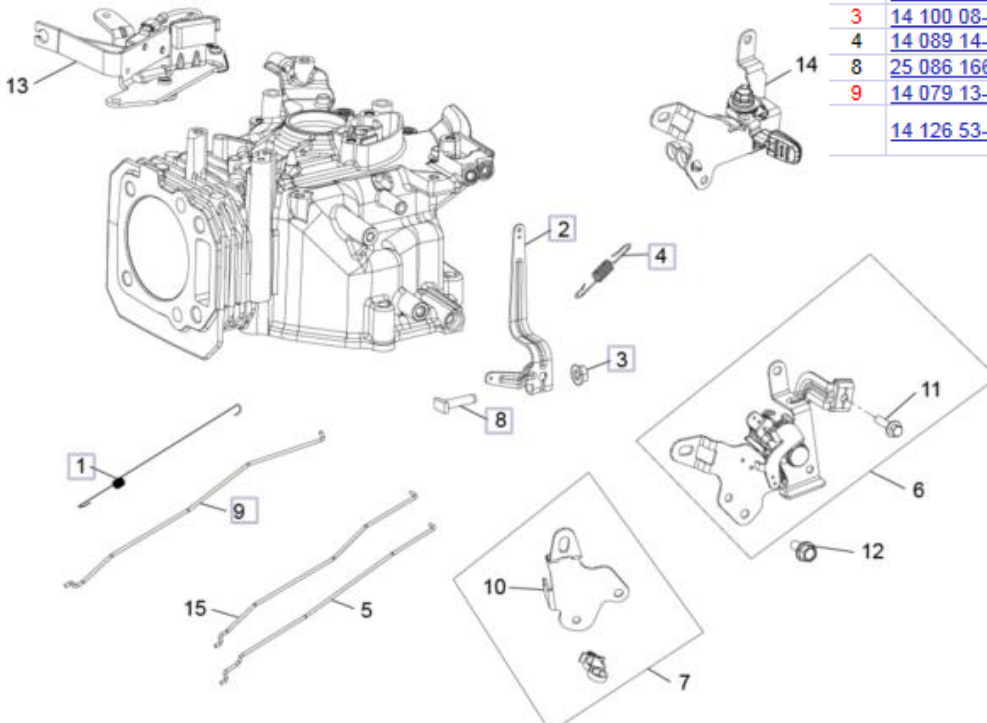
Ref #	Part #	Description	Qty
1	<a href="#">14 014 172-S</a>	CRANKSHAFT ASSEMBLY	1
2	<a href="#">14 340 01-S</a>	KEY, FLYWHEEL	1
3	<a href="#">17 030 12-S</a>	BEARING, BALL	1

**CYLINDER HEAD GROUP  
XT775**



Ref #	Part #	Description	Qty
1	14 016 01-S	VALVE, EXHAUST	1
2	14 841 04-S	KIT, HEAD GASKET USE 1...	1
3	14 017 01-S	VALVE, INTAKE	1
4	14 380 06-S	DOWEL, CYLINDER HEAD...	2
5	14 411 01-S	ROD, PUSH	2
6	14 146 01-S	PLATE, PUSHROD GUIDE	1
7	14 032 08-S	SEAL, VALVE STEM	1
8	14 186 02-S	ARM, ROCKER	2
9	14 599 01-S	PIVOT, ROCKER ARM	2
10	25 086 159-S	SCREW, HEX FLANGE (M...	4
11	14 100 01-S	NUT, HEX JAM	2
12	14 018 02-S	RETAINER, VALVE SPRING	2
13	14 089 02-S	SPRING, VALVE	2
14	25 086 140-S	SCREW, HEX FLANGE M8	4
15	14 755 02-S	KIT, VALVE TRAIN	1
16	14 351 01-S	LIFTER, VALVE	1
17	14 072 29-S	STUD, ROCKER ARM	2
18	14 318 10-S	HEAD, CYLINDER	1
19	14 096 130-S	COVER, VALVE	1

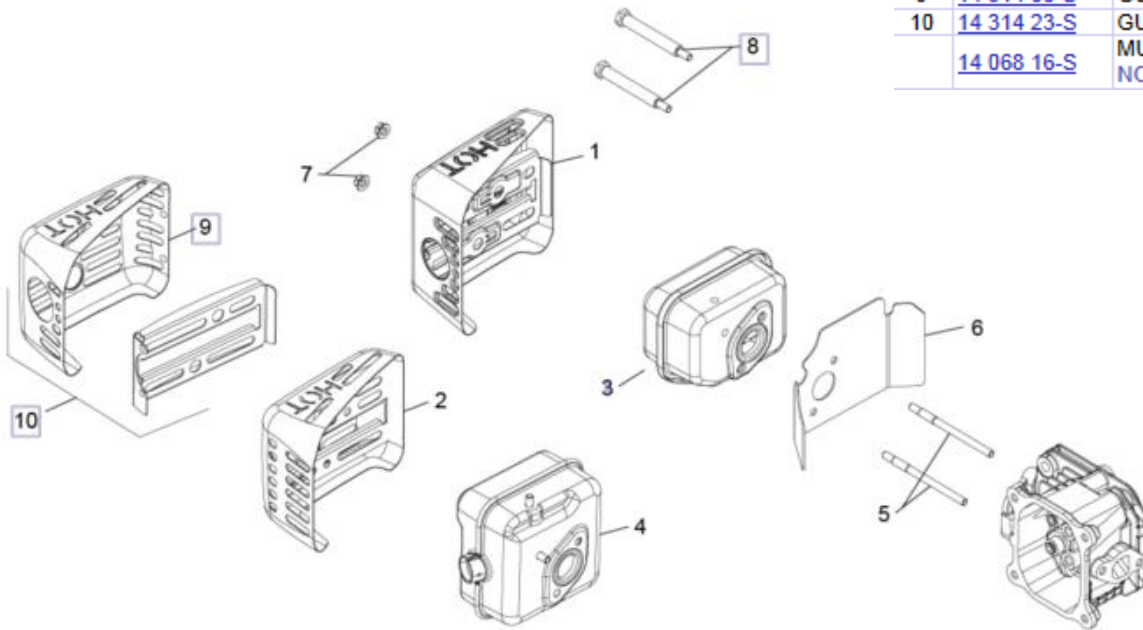
**ENGINE CONTROL GROUP  
XT775**



Ref #	Part #	Description	Qty
1	14 089 43-S	SPRING, LINKAGE	1
2	14 090 12-S	LEVER, GOVERNOR-USE ...	1
3	14 100 08-S	NUT, HEX FLANGE (M6) - ...	1
4	14 089 14-S	SPRING, GOV (2800-3300 ...	1
8	25 086 166-S	SCREW, RECTANGLE HE...	1
9	14 079 13-S	LINKAGE, GOVERNOR - U...	1
	14 126 53-S	BRACKET ASSY-USE 14 1...	1
		NOT ILLUSTRATED	

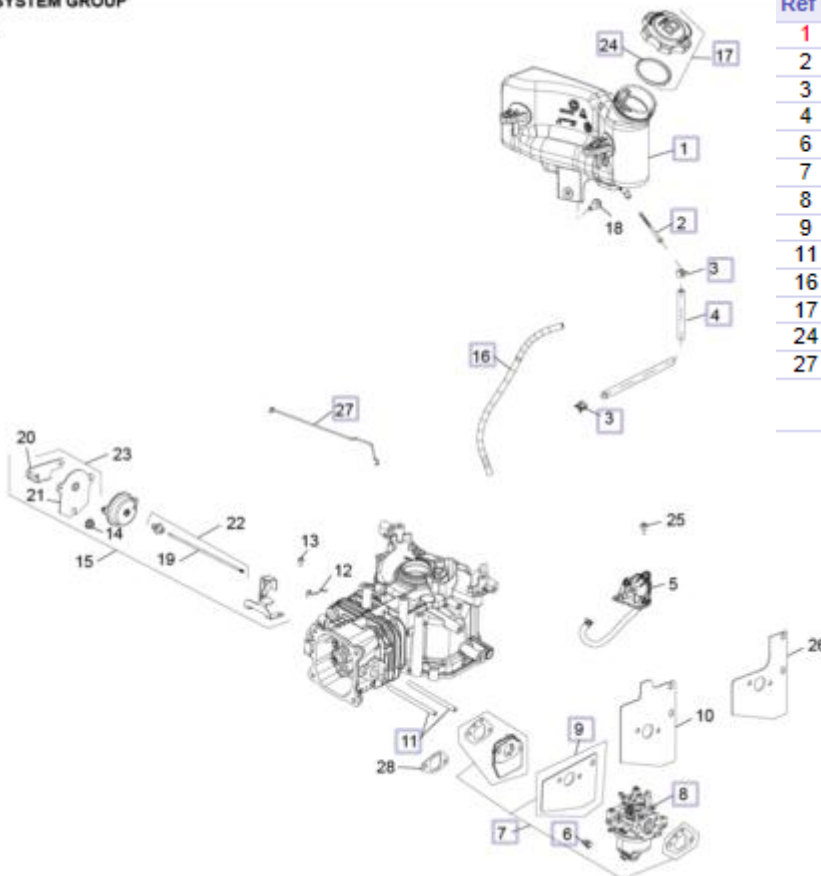
**EXHAUST GROUP**  
XT775

Ref #	Part #	Description	Qty
8	<a href="#">25 086 430-S</a>	SCREW, SHOULDER	2
9	<a href="#">14 314 05-S</a>	GUARD, MUFFLER - DISC...	1
10	<a href="#">14 314 23-S</a>	GUARD, MUFFLER ASSE...	1
	<a href="#">14 068 16-S</a>	MUFFLER ASSEMBLY NOT ILLUSTRATED	1

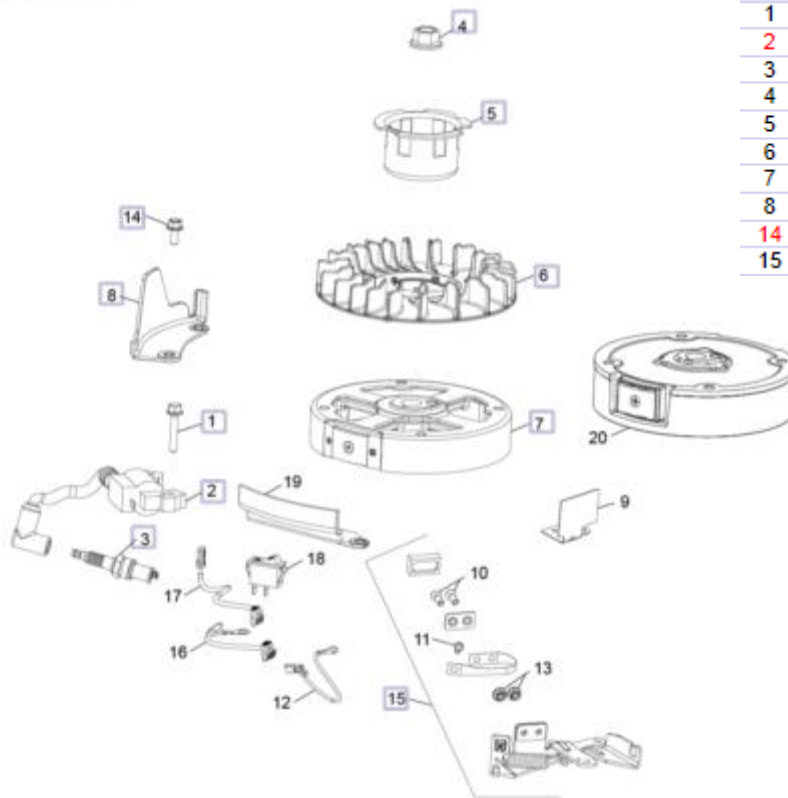


**FUEL SYSTEM GROUP**  
XT775

Ref #	Part #	Description	Qty
1	<a href="#">14 065 57-S</a>	TANK, FUEL USE 14 065 6...	1
2	<a href="#">14 050 14-S</a>	FILTER, FUEL IN-NIPPLE	1
3	<a href="#">14 237 07-S</a>	CLAMP, HOSE (NON-CALI...	2
4	<a href="#">25 111 102-S</a>	HOSE, FUEL LOW-PERME...	1
6	<a href="#">14 237 05-S</a>	CLAMP, HOSE	1
7	<a href="#">14 112 09-S</a>	KIT, SPACER	1
8	<a href="#">14 853 78-S</a>	CARBURETOR KIT	1
9	<a href="#">14 041 31-S</a>	KIT, CARBURETOR HEAT ...	1
11	<a href="#">14 072 23-S</a>	STUD,M6X1.0X100.2MM	2
16	<a href="#">25 326 28-S</a>	HOSE, EVAPORATIVE	1
17	<a href="#">14 227 14-S</a>	KIT, FUEL CAP ASSEMBL...	1
24	<a href="#">14 032 10-S</a>	SEAL, FUEL CAP	1
27	<a href="#">14 079 33-S</a>	LINKAGE, AUTO CHOKE	1
	<a href="#">14 187 20-S</a>	ARM ASSEMBLY, AUTO C...	1
		NOT ILLUSTRATED	

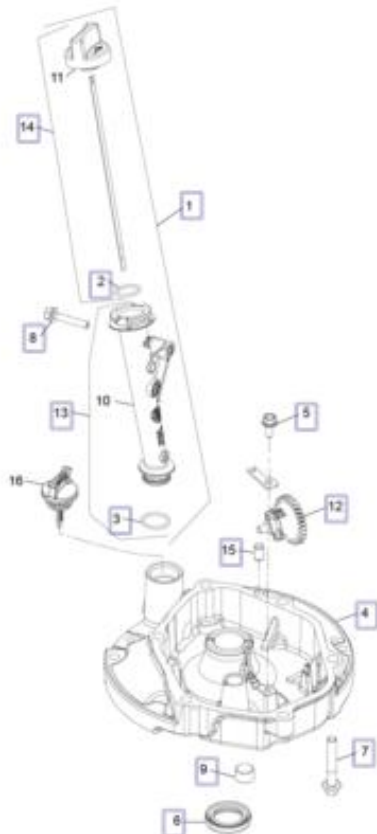


IGNITION/CHARGING GROUP  
XT775



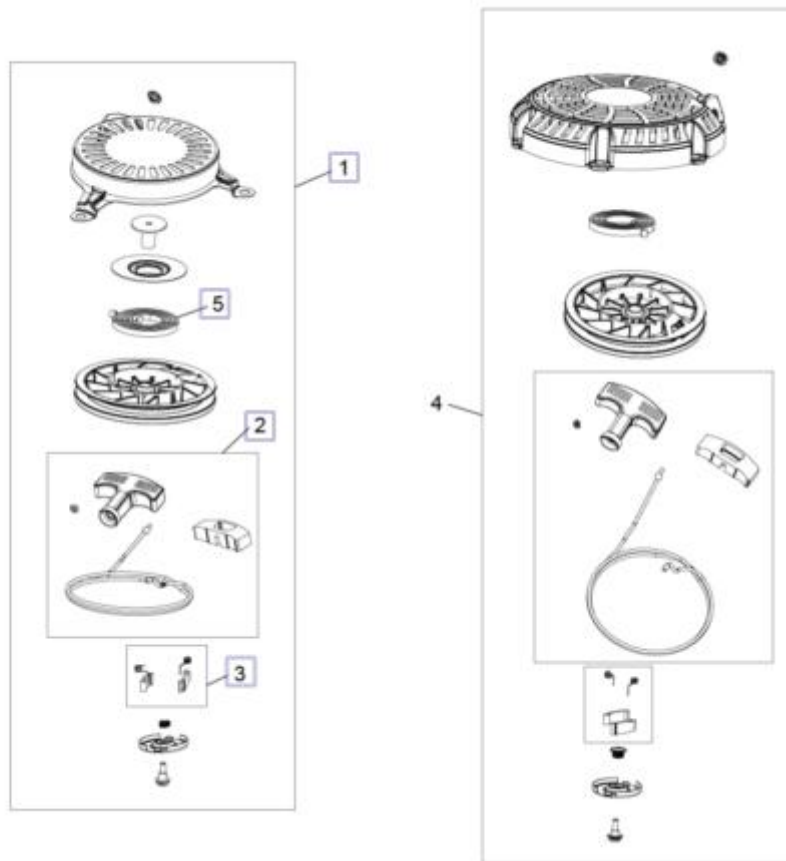
Ref #	Part #	Description	Qty
1	<a href="#">25 086 186-S</a>	SCREW, M6 X 25 USE 25 ...	1
2	<a href="#">14 584 04-S</a>	MODULE,IGN (CAST IRON...	1
3	<a href="#">14 132 11-S</a>	PLUG, SPARK 12MM RFI	1
4	<a href="#">14 100 10-S</a>	NUT, FLYWHEEL (W/SER...	1
5	<a href="#">14 109 04-S</a>	CUP, STARTER DRIVE	1
6	<a href="#">17 157 06-S</a>	FAN, FLYWHEEL	1
7	<a href="#">14 025 10-S</a>	FLYWHEEL ASSEMBLY, C...	1
8	<a href="#">14 314 25-S</a>	GUARD, FINGER	1
14	<a href="#">25 086 159-S</a>	SCREW, HEX FLANGE (M...	1
15	<a href="#">14 219 21-S</a>	BRAKE ASSEMBLY	1

LUBRICATION GROUP  
XT775



Ref #	Part #	Description	Qty
1	<a href="#">14 123 13-S</a>	"PUSH-IN" DIPSTICK AND ...	1
2	<a href="#">14 153 05-S</a>	O-RING (CAP)	1
3	<a href="#">14 153 03-S</a>	O-RING, OIL FILL TUBE	1
4	<a href="#">14 199 28-S</a>	KIT, OIL PAN	1
5	<a href="#">25 086 159-S</a>	SCREW, HEX FLANGE (M...	1
6	<a href="#">14 032 07-S</a>	OIL SEAL	1
7	<a href="#">25 086 161-S</a>	SCREW, HEX FLANGE (M...	6
8	<a href="#">25 086 145-S</a>	SCREW, HEX FLANGE (M6)	1
9	<a href="#">14 139 02-S</a>	PLUG, PIPE (W/SEALANT)	1
12	<a href="#">14 310 02-S</a>	GEAR ASSEMBLY, GOVE...	1
13	<a href="#">14 123 26-S</a>	TUBE ASSEMBLY, OIL FILL	1
14	<a href="#">14 227 22-S</a>	CAP, DIPSTICK ASSEMBLY	1
15	<a href="#">14 380 05-S</a>	PIN, DOWEL (8MM)	2

**STARTING GROUP  
XT775**



Ref #	Part #	Description	Qty
1	<a href="#">14 165 20-S</a>	STARTER ASSEMBLY, RE...	1
2	<a href="#">14 160 01-S</a>	KIT, STARTER ROPE W/H...	1
3	<a href="#">14 379 01-S</a>	KIT, PAWL REPAIR	1
5	<a href="#">14 089 41-S</a>	SPRING, RECOIL REWIND...	1

**KOHLER ENGINES**

KOHLER DE MÉXICO S.A. DE C.V.  
 NORTE 45 No. 772 INDUSTRIAL VALLEJO  
 C.P. 02300 MÉXICO, D.F.  
 Tel.(55) 36 89 13 00 y 55 87 07 11  
 Fax.(55) 53 68 20 87 y 53 68 46 75

Elaborado por: DMA/Soporte Técnico