

KIPOR®

KIPOR POWER Parts Manual

PLEASE READ THIS MANUAL CAREFULLY.
IT CONTAINS IMPORTANT SAFETY INFORMATION.

WWW.KIPOR.COM

KIPOR®

WUXI KIPOR POWER CO., LTD.
Address: Beside Jingyi Rd, Third-stage Development Section of
Wangzhuang Industry Area, Wuxi High &
New Technology Industry Development Zone.
TEL: 0086-510-85205041
FAX: 0086-510-85203796
E-MAIL: kipor@kipor.com



Tillage manager

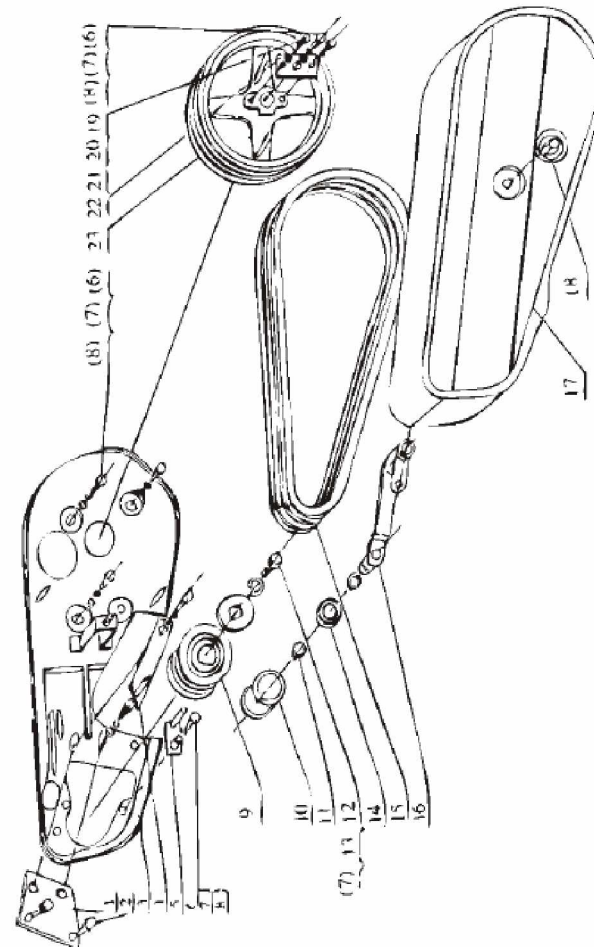
KGT 510

Content

1. Unit of pulley transmission	1
2. Assembly of connecting plate	3
3. Unit of frame	5
4. Unit of left and right driving wheel	7
5. Hanging and connecting frame	9
6. Gearbox ;.....	11
7. Rotary device	21
8. Unit of armrest, main clutch and sub-shift controller	23
9. Unit of left turing handle and oil throttle	25
10. Right turning handle	27
11. Unit of mud-proof plate	29

1. Unit of pulley transmission

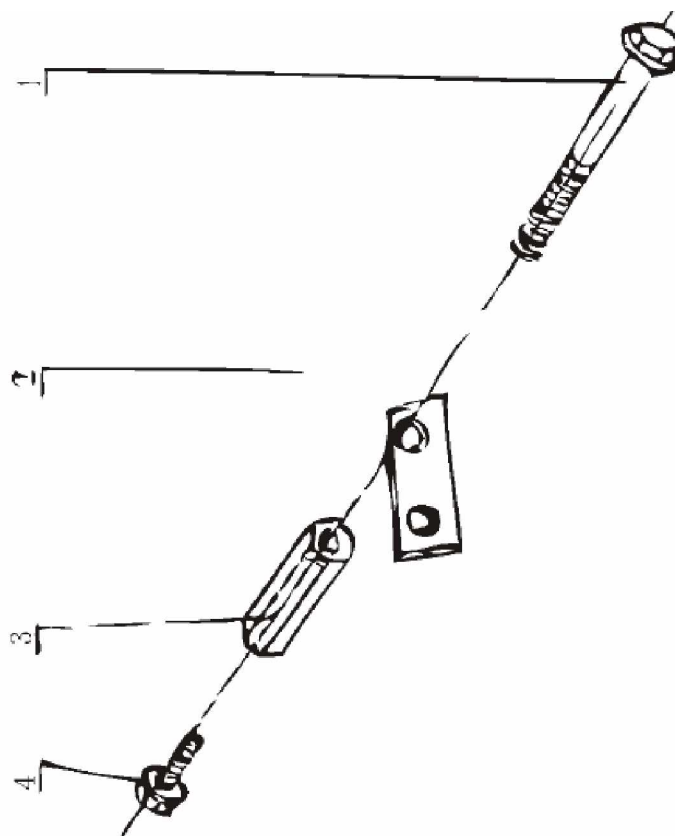
No.	Code	Name	Qty.
1	KGT510.22.021	Fitting plate	1
2	GB5789-86	Hexagon flange bolt BM8x16	2
3	6B.22.016	Welded part of pulley cover bottom plate	1
4	KGT510.00-102	Welded part of limit lever	1
5	KGT510.00-102	Welded part of limit lever	1
6	GB5783-86	Bolt M8x16	5
7	GB93-87	Washer 8	8
8	GB97.1-85	Washer 8	8
9	KGT510.11-101	Driving pulley wheel	1
10	6.22A-111	Tension wheel	1
11	GB894.1-86	Elastic retainer 15	2
12	GB5783-86	Bolt M8x25	3
13	6.22-122	Washer	1
14	GB279-82	Rolling bearing 6002-2RS	2
15	GB1171-74	A type delta belt (1125La)	3
16	6.22A.020	Welded part of rocker	1
17	6.22.013	Assembly of pulley cover	1
18	6.22.014	Assembly of lock knob	1
19	GB5783-86	Bolt M6x15	2
20	GB93-87	Washer 6	2
21	GB97.1-85	Washer 6	2
22	6.22-103	Driven pulley wheel cover plate	1
23	6.22-102	Driven pulley wheel	1



1. Unit of pulley transmission

2. Unit of connecting plate

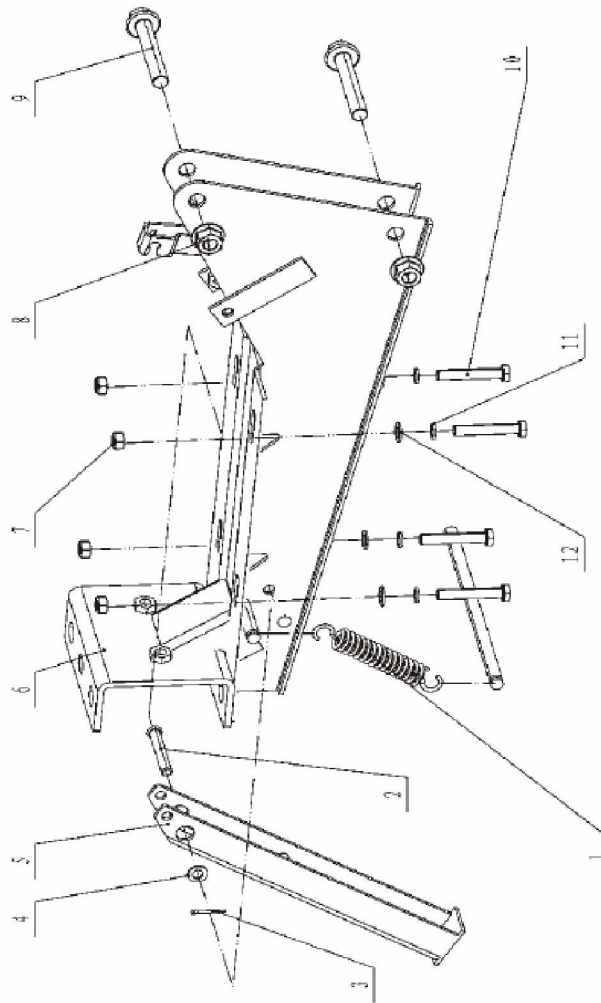
No.	Code	Name	Qty.
1	GB5787-86	Hexagon flange bolt M8x85	2
2	6. 25-107	Connecting plate	1
3	6. 25-105	Hexagon long nut M8	1
4	GB5787-86	Hexagon flange bolt M8x16	1



2. Assembly of connecting plate

3. Unit of frame

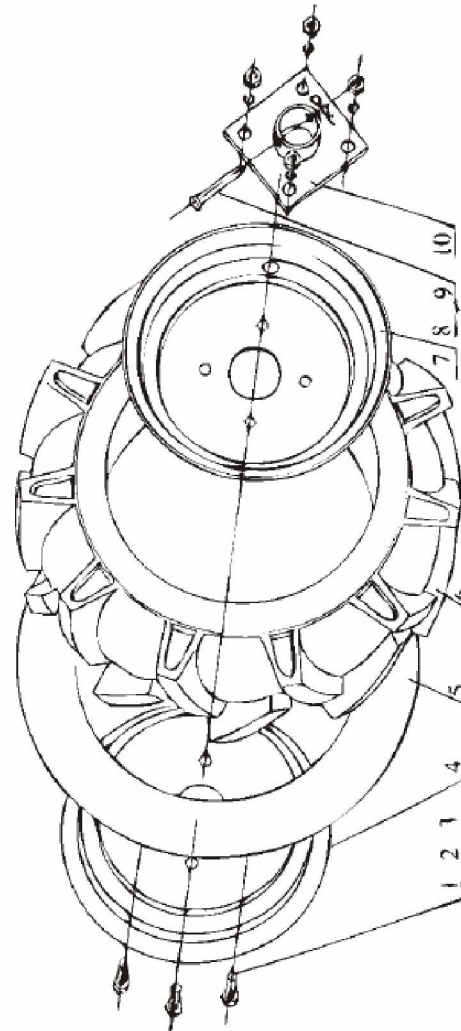
No.	Code	Name	Qty.
1	GB/T2088-1997	Tension spring 3x16x100	1
2	GB/T882-1986	Pin B8x52	1
3	GB/T91-2000	Split pin 2.5x20	1
4	GB/T848-2002	Washer 8	1
5	6. 30. 012	Assembly of supporting feet	1
6	KGT510. 01. 011	Assembly of frame	1
7	GB/T6170-2000	Nut M8	4
8	GB/T6177. 1-2000	Hexagon flange nut M12	2
9	GB/T5789-1986	Hexagon flange bolt M12x75	1
10	GB/T5782-1986	Bolt M8x50	4
11	GB/T93-1987	Washer 8	4
12	GB/T97. 1-2002	Washer 8	4



3. Unit of frame

4. Unit of left and right driving wheel

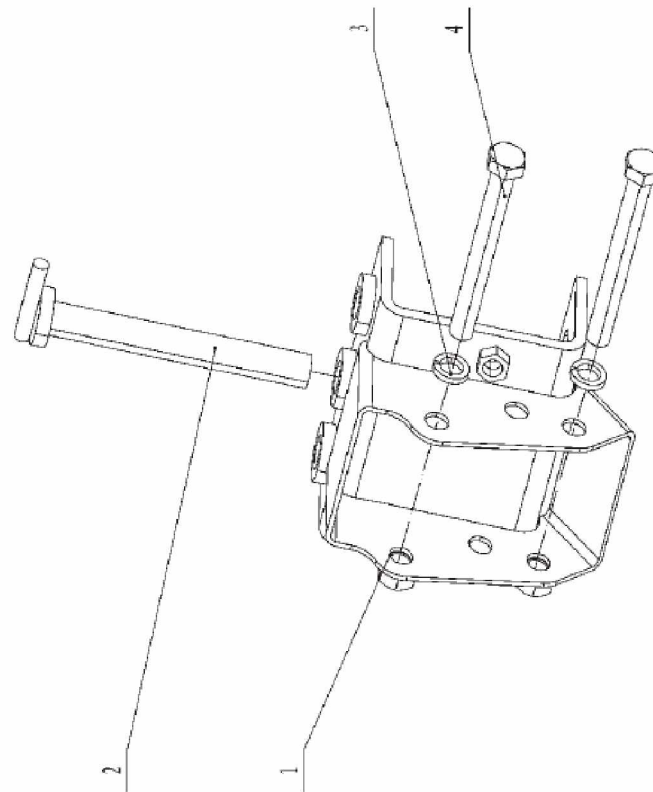
No.	Code	Name	Qty.
1	GB/T5781-2000	Bolt M8x20	4
2	GB/T93-1987	Washer 8	4
3	GB/T41-2000	Nut M8	4
4	KGT510. 05. 011-101	Tyre inner hub	1
5	4. 00-7	Inner tube	1
6	4. 00-7	Pattern	1
7	KGT510. 05. 011-102	Tyre outer hub	4
8	6. 34-103	Elastic split pin	2
9	GB/T882-2000	Pin shaft 10x55	1
10	KGT510. 05. 011	Assembly of hub and connecting disk	4



4. Left and right driving wheel

5. Hanging and connecting frame

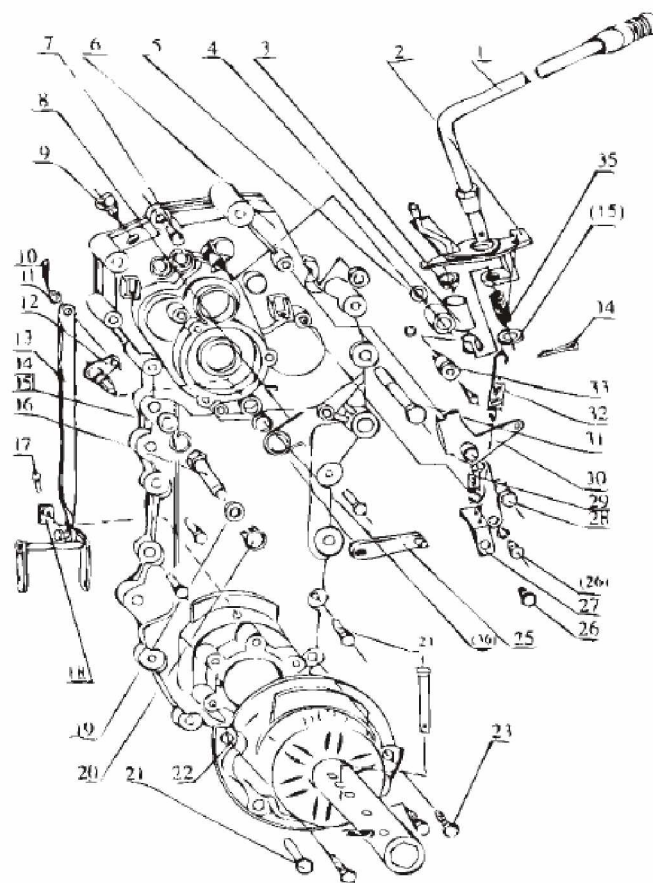
No.	Code	Name	Qty.
1	KGT510. 02. 011	Welded part of hanging and connecting frame	1
2	6. 35. 013	Welded part of hanging and connecting pin	1
3	GB 93-1987	Wahser 12	2
4	GB/T5782-2000	Bolt M12x100	2



5. Hanging and connecting frame

6.Unit of gearbox(1)

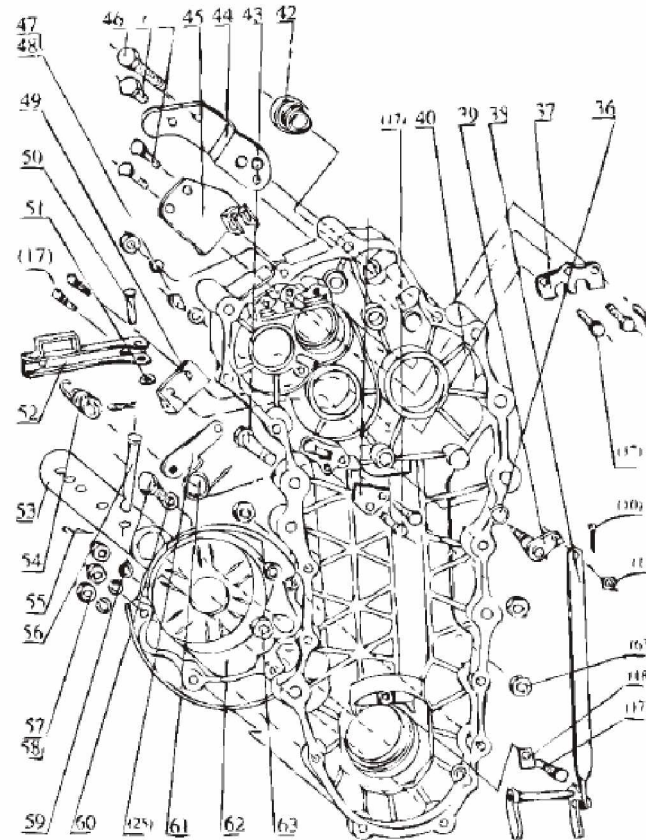
No.	Code	Name	Qty.
1	KGT510.09.011.04	Handle	1
2	6.37.026	Shift lever	1
3	6.37-233	Plastic sheath	2
4	6.37.026.02	Shaft sleeve	1
5	GB95-2002	Washer 8	1
6	4.37-107	Left body of gearbox	1
7	6.37-105	Upper fitting bolt	4
8	6.37-159	Left turning torsion spring	2
9	6.37-106	Air discharging plug	1
10	GB/T91-2000	Split pin 1.6x15	4
11	GB95-2002	Flat washer6	1
12	6.37-027	Left inward turning are	1
13	4.37-029	Left turning pulling bar	2
14	GB93-1987	Standard spring washer 12	1
15	GB95-2002	Washer 12	1
16	4.22-123	Fixed shaft of tension wheel	1
17	GB/T5789-1986	Hexagon flange bolt M6x16	11
18	6.37-160	Fixed piece	2
19	GB/T97.5-2002	Washer12	1
20	GB/T894.1-86	Retainer 12	1
21	6.37-136	Lower fitting bolt	1
22	4.37-125	Left mud-proof cover	1
23	GB/T5789-1986	Hexagon flange bolt M8x45	3
24	GB/T5789-1986	Hexagon flange bolt M8x30	4
25	6.37-028	Outward turning arm	2
26	GB/T5789-1986	Hexagon flange bolt M8x16	3
27	6.37-023	Support plate	1
28	6.37-154	Bolt	1
29	6.37-153	Reset spring for preventing reverse gear of rotary cultivation	1
30	6.37-024	Assemble of limit plate	1
31	GB/T5789-1986	Hexagon flange bolt M8x90	1
32	6.37-152	Main shift gear reset spring	1
33	6.37-235	Pin shaft	1
34	GB/T91-2000	Split pin 2.5x20	1
35	6.37-237	Spring	1



6.Unit of gearbox(1)

Unit of gearbox (2)

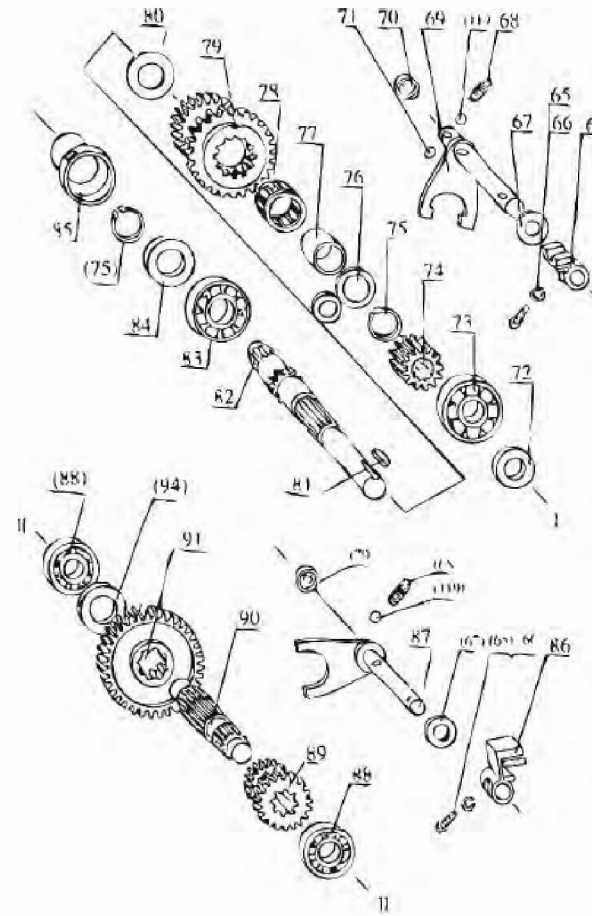
No.	Code	Name	Qty.
36	GB/T3452.1-1992	O seal ring 10x1.8G	2
37	6. 37-108	Press piece of fitting spring	1
38	4. 37-018	Assemble of right turing pulling bar	1
39	6. 37. 030	Assemble of right turing rocker	1
40	4. 37-102	Right body of gearbox	1
42	6. 37-155	Oiling plug	1
43	GB/T5789-1986	Hexagon bolt M12X60	2
44	KGT510.00.000-101	Fixing plate of chain box	1
45	6S. 37. 022	Welded part of fitting lock for flexible shaft of rotary cultivation	1
46	GB/T5787-1986	Hexagon flange bolt M8X80	1
47	6. 37-150	Copper gasket	1
48	GB/T5789-1986	Hexagon bolt M6X12	1
49	6. 37-021	Welded part of supporting seat of sub-gearbox	1
50	GB/T882-86	Pin shaft B6X28	1
51	GB95-2002	Flat washer	1
52	6. 37-020	Assemble of rocker for sub-gearbox	1
53	4. 37-131	Semi-shaft sleeve	2
54	KGT510.00-104	Sub-gearbox hook	1
55	6. 37-146	Elastic split pin	2
56	6. 37-130	Pin	2
57	GB/T41-2000	Nut M8	5
58	GB93-1987	Standard spring washer 6	6
59	GB/T5789-1986	Hexagon flange bolt M8x12	1
60	6. 37-134	Oil drainage washer	1
61	6. 37-145	Right turing torsion spring	1
62	4. 37-135	Left mud-proof cover	1
63	GB/T6187.1-2000	Metal hexagon flange bolt M8	7



6. Unit of gearbox (2)

6.Gearbox (3)

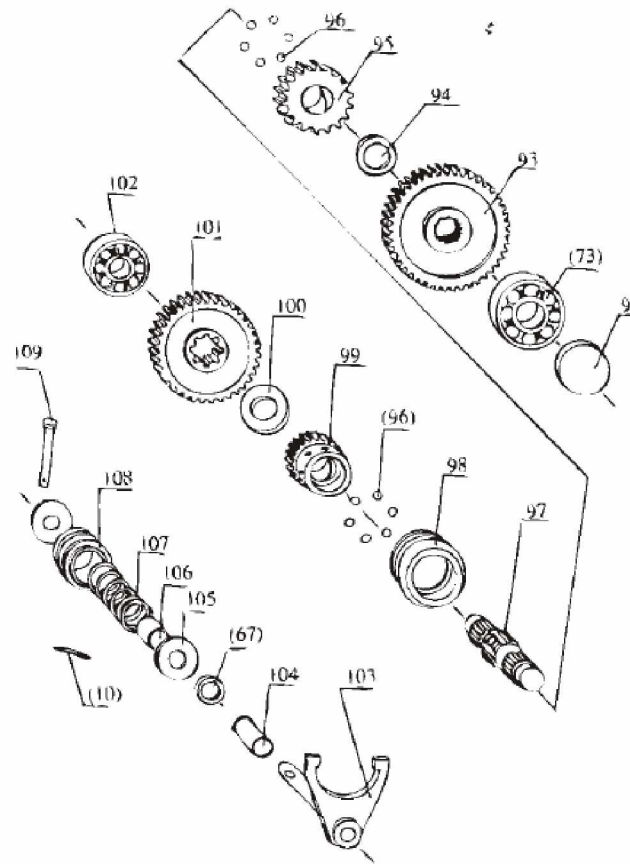
No.	Code	Name	Qty.
64	6. 37-109	Block for 3rd and 5th gear	1
65	GB/T5789-1986	Hexagon flange bolt M6X12	2
66	GB93-1987	Spring washer 6	2
67	6. 37-012	Bone rubber oil seal	2
68	6. 37-143	Fitting spring for shift fork	2
69	6. 37-013	Welded part of shift fork for 3rd and 5th gear	1
70	6. 37-114	Block	2
71	6. 37-144	Gear shift interlock pin	1
72	6. 37-031	Bone rubber oil seal	1
73	GB/T276-94	Rolling bearing 6303	2
74	6. 37-132	Driving wheel for 3rd and 5th gear	1
75	GB/T894. 2-1986	Retainer 20 for B type shaft	2
76	6. 37-203/6. 37-202	Washer I/Retainer	1/1
77	6. 37-205	Sleeve	1
78	ISO3030 DIN5405	Needle bearing K25x30x26FZW	1
79	6. 37-204	Idler gear for 1st shaft	1
80	6. 37. 206	Washer II	1
81	GB1096-79	Key B5X30	1
82	6. 37-201	1st shaft	1
83	GB/T276-94	Rolling bearing 6204	1
84	GB/T9877. 1-1988	Bone rubber oil sealFB20X35X7D	1
85	6. 37-101	Output shaft cover	1
86	6. 37-156	Shift block of 1st reverse gear	1
87	6. 37-025	Welded parts of shift block of 1st reverse gear	1
88	GB/T276-94	Rolling bearing 6203	2
89	6. 37-110	Driving gear of 1st reverse gear	1
90	6. 37-111	2nd shaft	1
91	6. 37-104	Deceleration gear of 2nd shaft	1



6. Unit of gearbox (3)

Unit of gearbox (4)

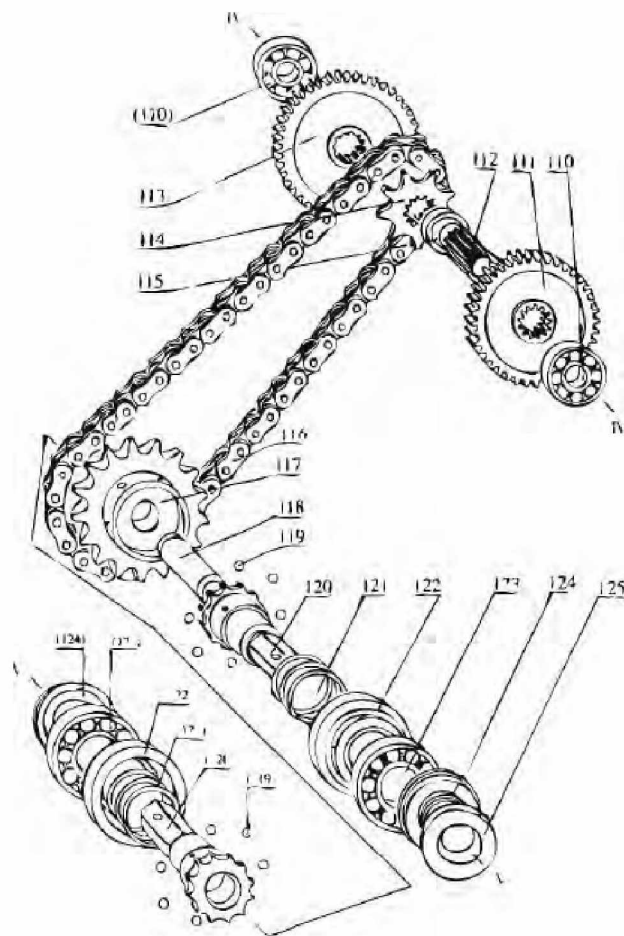
No.	Code	Name	Qty.
93	6. 37-112	Slow speed gear of 3rd shaft	1
94	6. 37-103	Washer	2
95	6. 37-115	Active gear of quick gear in auxiliary shift	1
96	GB308-1984	Steel ball 5.6 II	12
97	6. 37-113	3rd shaft	1
98	6. 37 116	Shift disk of sub-shift	1
99	6. 37-117	Active gear of low gear in auxiliary shift	1
100	6. 37 103	Washer	1
101	6. 37-158	3rd shaft quick gear	1
102	GB/T276 94	Rolling bearing 6302	1
103	6. 37-019	Shift fork unit of sub-shift	1
104	6. 37 141	Sleeve	1
105	6. 37-142	Washer	2
106	6. 37 139	Sleeve	1
107	6. 37-138	Fork spring of sub-shift	5
108	6. 37 137	Dust proof cover	6
109	GB/T882-1986	Pin shaft B8X55	1



6.Unit of gearbox (4)

Unit of gearbox(5)

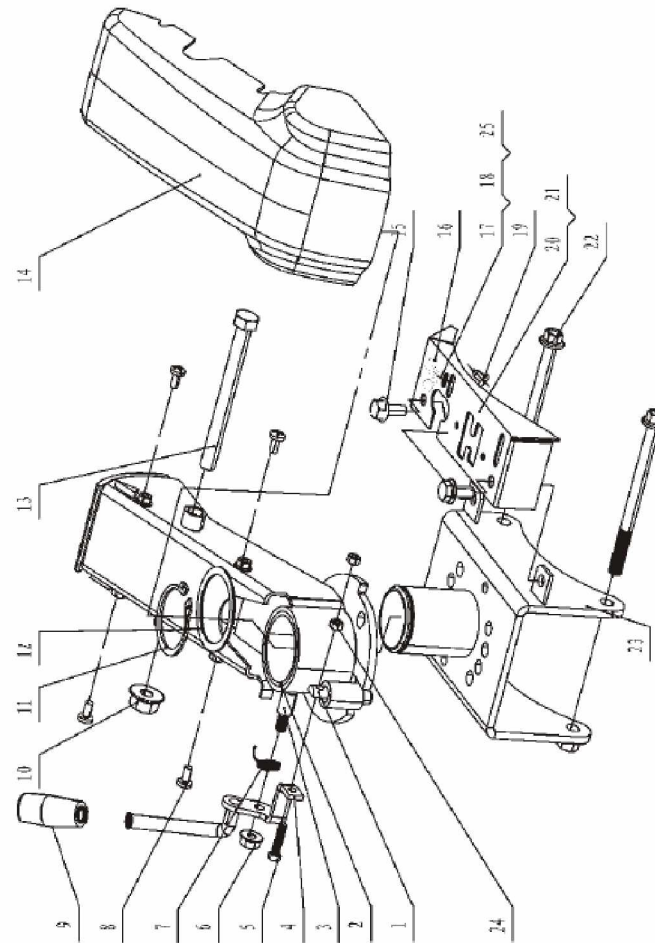
No.	Code	Name	Qty.
110	GB/T276-94	Rolling bearing 6304	2
111	6. 37-121	Driven gear of quick gear in auxiliary shift	1
112	6. 37-118	4th shaft	1
113	6. 37-124	Driven gear of slow gear in auxiliary shift	1
114	6. 37-120	Driving chains wheel	1
115	6. 37-119	Washer	1
116	4. 37. 016	60HT agricultural reinforced chain	1
117	4. 37-126	Driven gear	1
118	4. 37-133	Core shaft	1
119	GB308-1984	Steel ball 8 II	14
120	4. 37-129	Semi-shaft	2
121	4. 37-128	Turing spring	2
122	4. 37-127	Turing shift disk	2
123	GB/T276-94	Rolling bearing 6206	2
124	4. 37-017	Assemble of oil seal	2



6.Unit of gearbox(5)

7. Rotary device

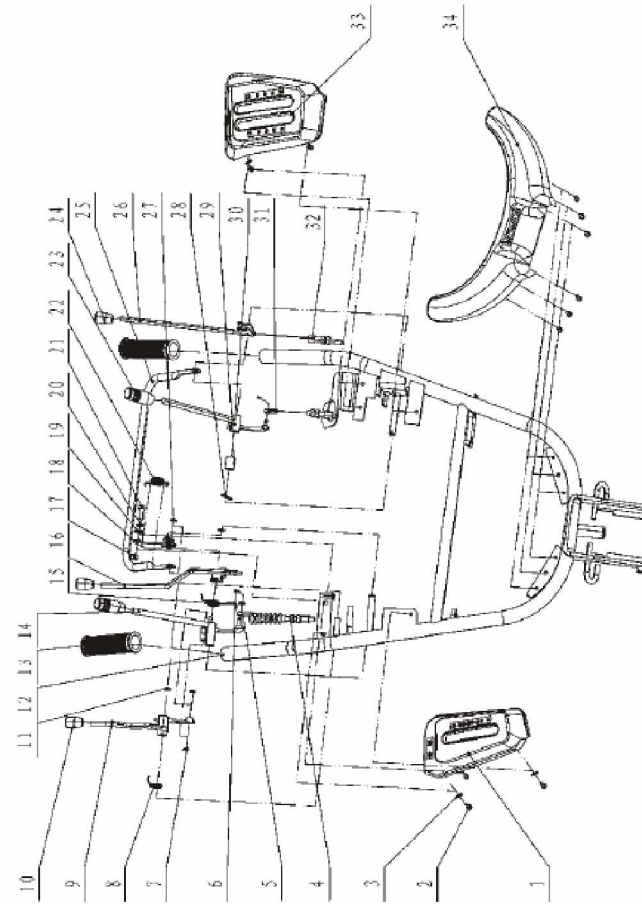
No.	Code	Name	Qty.
1	KGT510.40.011-001	Limit pole	1
2	KGT510.40.011-002	Bushing	1
3	KGT510.40.011.01	Welded part of rotary body	1
4	KGT510.40.011.02	Welded part of rotary control handle	1
5	GB/T5781-2000	Bolt M6x25	1
6	GB/T6177.1-2000	Flange nut M8	1
7	KGT510.40.011-003	Torsion spring	1
8	GB/T818-2000	Cross head screw M6x12	4
9	6.40.016-102	Handle bushing	1
10	GB/T6170-2000	Nut M12	1
11	GB/T894.1-1986	Retainer 50 for shaft	1
12	KGT510.40.011-004	Washer	1
13	GB/T5781-2000	Bolt M12x130	1
14	KGT510.09.011-105	Rotary support decorative plate	1
15	GB/T16674.1-2000	Hexagon flange bolt M8x12	2
16	6.40.011.02	Welded part of main shift gear limit plate	1
17	GB/T62-1988	Thumb nut M5	1
18	GB/T97.1-2002	Washer 5	1
19	GB/T5282-1985	Self-tapping ST4X8-c-H	1
20	6.40.011-101	Seat of retainer	1
21	6.40.011-102	Indicator signs of shift	1
22	GB/T16674-1986	Bolt M12X130	2
23	KGT510.40.011.03	Fitting Seat welded part	1
24	GB/T6170-2000	Nut M6	2
25	6.40.011.03	Limit block of rotary cultivation I	1



7. Rotary device

8. Unit of armrest, main clutch and sub-shift controller

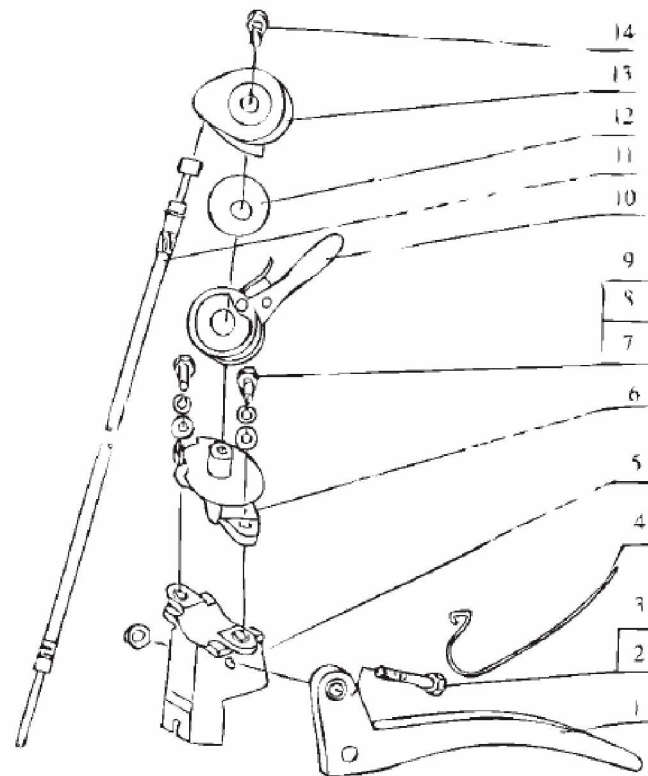
No.	Code	Name	Qty.
1	6C. 40-106	Right decorative plate of armrest	1
2	GB/T845-1986	Screw ST4.8X9.5	10
3	GB/T97. 1-2002	Washer 5	6
4	6A. 40. 020	Assembly of Clutch control flexible shaft	1
5	GB/T97. 1-2002	Wahser 6	1
6	GB/T91-2000	Split pin 2x12	1
7	GB/T896-1986	Split retainer 7	2
8	6. 40. 018-105	Reset spring (2)	1
9	6. 40. 018. 03	Welded part of reset control lever	1
10	6. 40. 018. 04	Auxiliary lever sleeve	3
11	GB/T894. 1-1986	Retainer 12	2
12	KGT510. 09. 012. 01	Welded part of armrest	1
13	6. 40-101	Armrest bushing	2
14	6. 40. 018.01	Welded part of main clutch control lever	1
15	6. 40. 018-101	Reset spring (1)	1
16	KGT510. 09. 015. 03	Welded part of main clutch auxiliary lever	1
17	GB/T6177. 1-2000	Hexagon flange nut M8	1
18	6C. 40. 013	Bumper fitting plate	1
19	GB/T97. 1-2002	Waser 8	1
20	GB/T93-1987	Washer 8	1
21	GB/T5783-2000	Screw M8x20	1
22	6C. 40-103	Bumper spring	1
23	6. 40. 016-102	Handle sleeve	1
24	6. 40. 018.04	Auxiliary lever sleeve	1
25	KGT510. 09. 012-101	Bumper	1
26	6C. 40. 014	Welded part of adjustment control lever	1
27	GB/T894. 1-1986	Retainer 12	1
28	QC/T623-1999	Latch 12	1
29	KGT510. 09. 015.01	Welded part of control lever for rotary cultivation	1
30	KGT510. 09. 015.02	Welded part of sub-shift control lever	1
31	6. 40. 021	Welded part of sub-shift control flexible shaft	1
32	6C. 40. 011. 02	Assembly of fitting flexible shaft	1
33	KGT510. 09. 015-101	Left decorative plate of armrest	1
34	6C. 40-102	Front decorative plate of armrest	1



8. Unit of armrest, main clutch and sub-shift controller

9. Unit of left turing handle and oil throttle

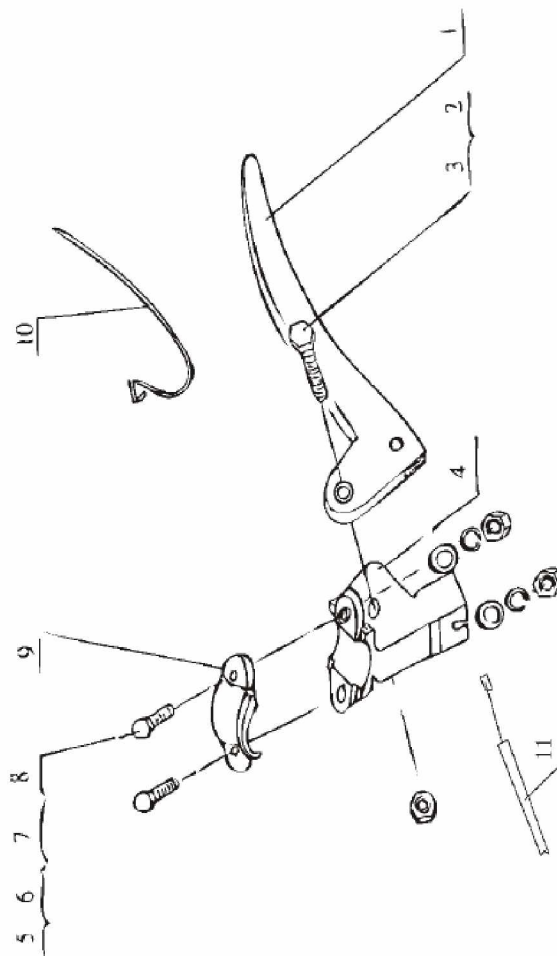
No.	Code	Name	Qty.
1	6. 40. 014. 01	Assembly of turing handle	1
2	GB/T822-2000	Screw M6x25	1
3	GB/T6172. 1-2000	Nut M6	1
4	6. 40. 014-103	Reset torsion spring	1
5	6. 40. 014-102	Fitting seat	1
6	6. 40. 014. 01	Left fitting cover	1
7	GB/T5781-2000	Blot M6x20	2
8	GB/T97. 1-2002	Flat washer 6	2
9	GB/93-87	Spring washer 6	2
10	6. 40. 013. 02	Assembly of switch for oil throttle	1
11	6. 40. 013. 03	Assembly of flexible shaft of oil throttle	1
12	6. 40. 013-102	Assembly of flexible shaft of oil throttle	1
13	6. 40. 013-101	Cover	1
14	GB/T818-2000	Screw M6x10	1



9. Unit of left turing handle and oil throttle

10. Right turning handle

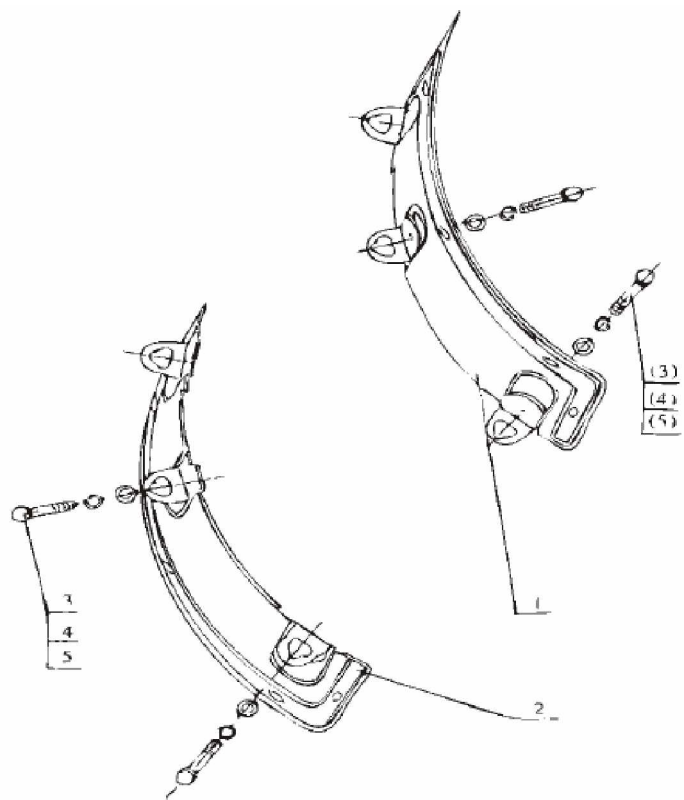
No.	Code	Name	Qty.
1	6. 40. 014. 01	Assembly of turning handle	1
2	GB/T822-2000	Screw M6x25	1
3	GB6172. 1-2000	Nut M6	1
4	6. 40. 014-102	Fitting seat	1
5	GB/T5781-2000	Bolt M6x28	2
6	GB/97. 1-2002	Flat washer 6	2
7	GB93-87	Spring washer 6	2
8	GB/T6170-2000	Nut M6	2
9	6. 40. 014-101	Right fitting cover	1
10	6. 40. 014-103	Reset torsion spring	1
11	6A. 40. 015. 06	Assembly of turing flexible shaft	2



10. Unit of right turning handle

11. Unit of mud-proof plate

No.	Code	Name	Qty.
1	6.46.011	Welded part of left mud-proof plate	1
2	6.46.012	Welded part of right mud-proof plate	1
3	GB5783-86	Bolt M8x16	4
4	GB97.1-85	Washer 8	4
5	GB93-87	Washer 8	4



11. Unit of mud-proof plate