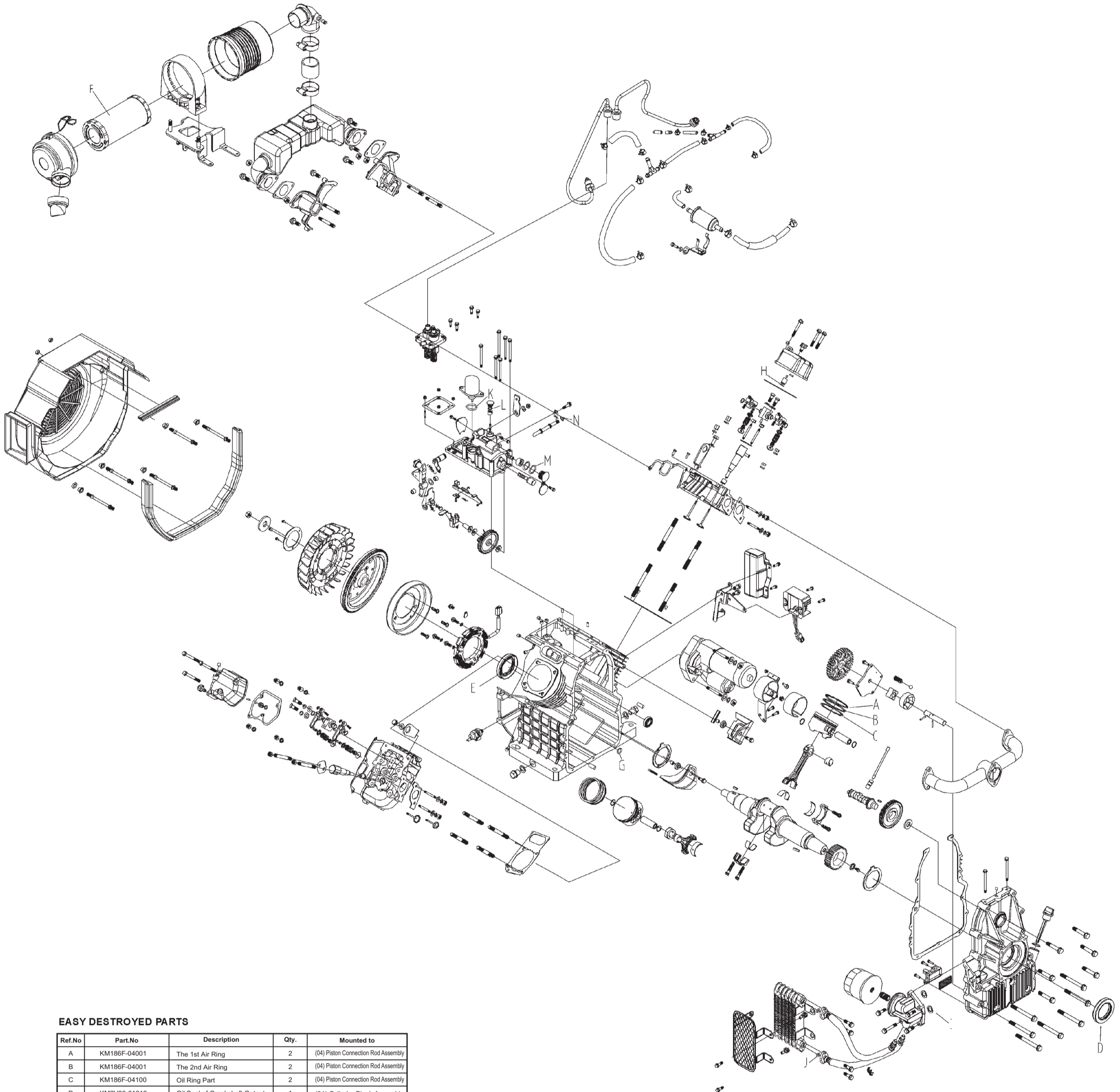


ASSEMBLY AND PARTS DRAWING

KIPOR

KD2V86



EASY DESTROYED PARTS

Ref.No	Part.No	Description	Qty.	Mounted to
A	KM186F-04001	The 1st Air Ring	2	(04) Piston Connection Rod Assembly
B	KM186F-04001	The 2nd Air Ring	2	(04) Piston Connection Rod Assembly
C	KM186F-04100	Oil Ring Part	2	(04) Piston Connection Rod Assembly
D	KM2V80-01018	Oil Seal of Crankshaft Output	1	(01) Cylinder Block Assembly
E	KM2V80-01019	Oil Seal of Crankshaft Flywheel	1	(01) Cylinder Block Assembly
F	KM2V80-07300	Air Filter Element Part	1	(07) Inlet System

O-RING SEALER

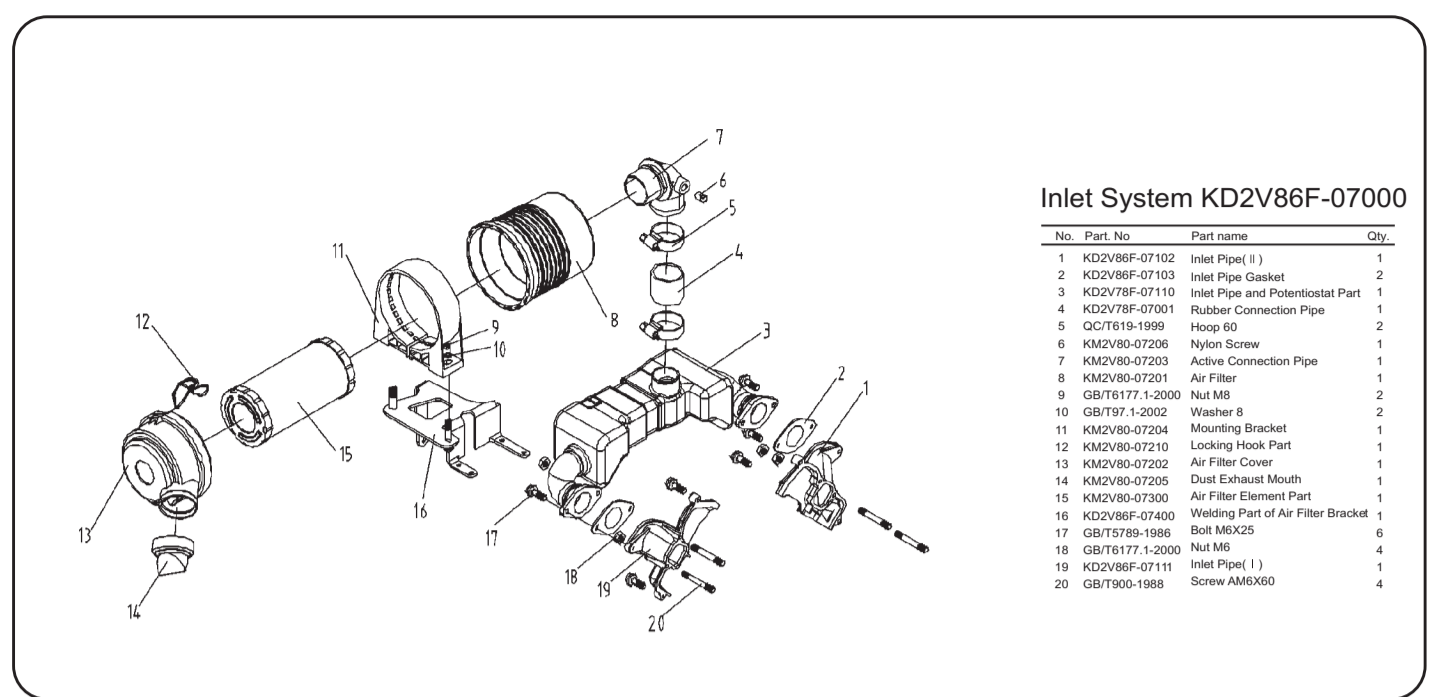
Ref.No	Part.No	Description	Qty.	Mounted to
G	KG670-01027	O-ring	1	(01) Cylinder Block Assembly
H	KD2V78F-03004	O-ring Sealer	2	(03) Cylinder Cover Assembly
I	KG670-13201	O-ring	2	(09) Lubricating System
J	KG670-13401	O-ring	1	(09) Lubricating System
K	GB/T3452.1-1992	O-ring Sealer	1	(11) Speed Regulator Assembly
L	GB/T3452.1-1992	O-ring Sealer	1	(11) Speed Regulator Assembly
M	GB/T3452.1-1992	O-ring Sealer 18X1.8	2	(11) Speed Regulator Assembly
N	GB/T3452.1-1992	O-ring Sealer 5X1.8	1	(11) Speed Regulator Assembly

FASTENING TORQUE OF MAIN BOLT & NUT (Unit:N.m)

Description	Qty.
Connection Rod Bolt	28 ± 2
Tank Cover Locking Bolt	25-28
Cylinder Cover Locking Nut	42-46
Rocker Shaft Seat Bolt	17-23
Cylinder Cover Locking Nut	8-10
Inlet Pipe Bolt	8-10
Exhaust Pipe Nut	20-24
Starting Motor Locking Bolt	55-65
Flywheel Nut	160-180
Fuel Injector Nut	8-10

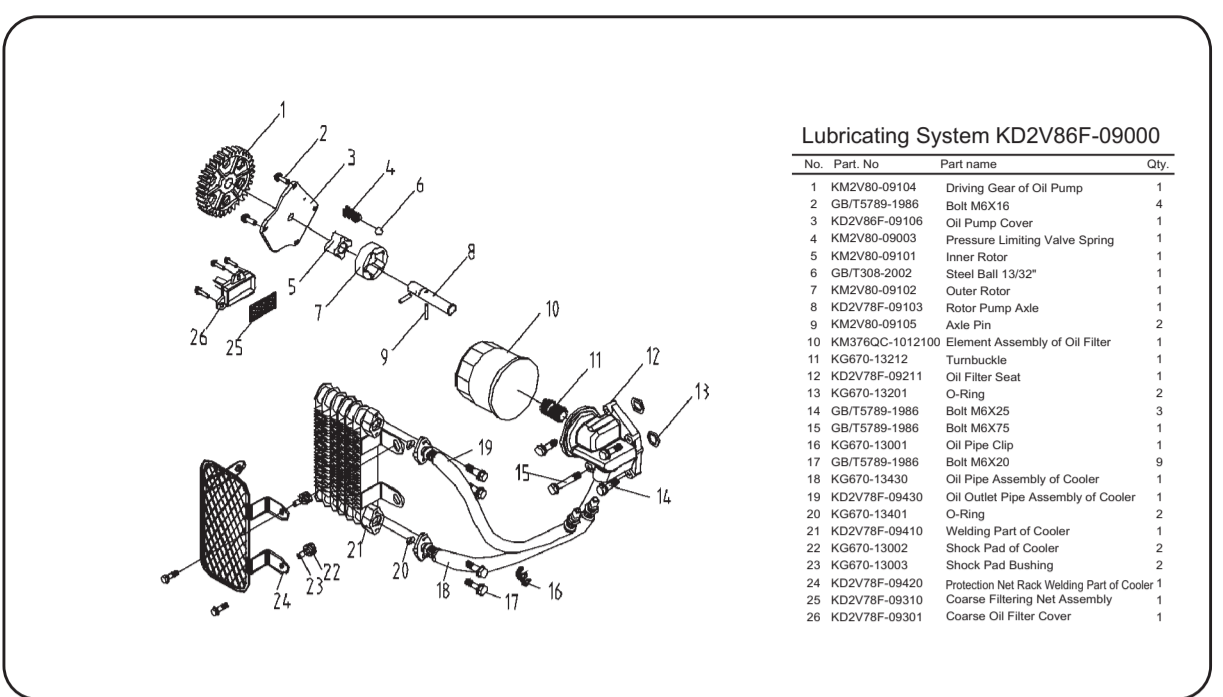
WUXI KIPOR POWER CO., LTD.

Beside Jingyi Rd, Third-stage Development Section of Wangzhuang Industry Area, Wuxi High & New Technology Industry Development Zone. TEL: 0086-510-85200888 FAX: 0086-510-85200999



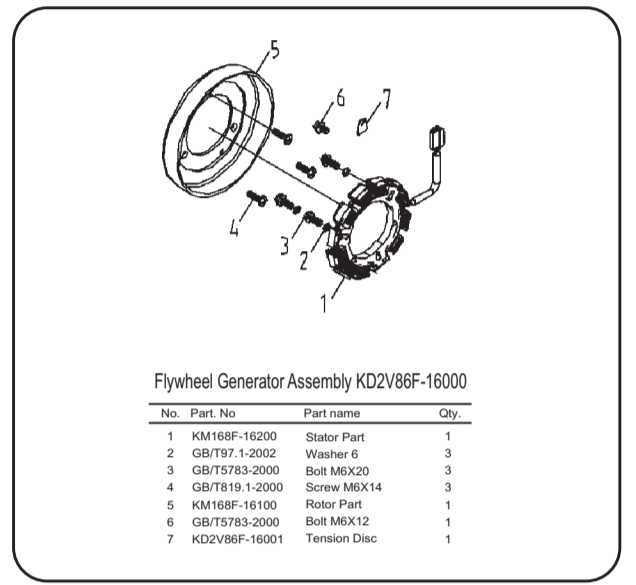
Inlet System KD2V86F-07000

No.	Part No	Part name	Qty
1	KD2V86F-07102	Inlet Pipe (I)	1
2	KD2V86F-07103	Inlet Pipe Gasket	2
3	KD2V78F-07110	Inlet Pipe and Potentiostat Part	1
4	KD2V78F-07001	Rubber Connection Pipe	1
5	QC7819-1999	Hoop 60	2
6	KM2V80-07206	Nylon Screw	1
7	KM2V80-07203	Active Connection Pipe	1
8	KM2V80-07201	Air Filter	1
9	GB/T5789-12000	Nut M6	2
10	GB/T197-12002	Washer 8	2
11	KM2V80-07204	Mounting Bracket	1
12	KM2V80-07210	Locking Hook Part	1
13	KM2V80-07202	Air Filter Cover	1
14	KM2V80-07205	Dust Exhaust Mouth	1
15	KM2V80-07300	Air Filter Element Part	1
16	KD2V86F-07400	Welding Part of Air Filter Bracket	1
17	GB/T5789-1986	Bolt M6X25	6
18	GB/T197-12002	Nut M6	4
19	KD2V86F-07111	Inlet Pipe (I)	1
20	GB/T900-1988	Screw AM6X80	4



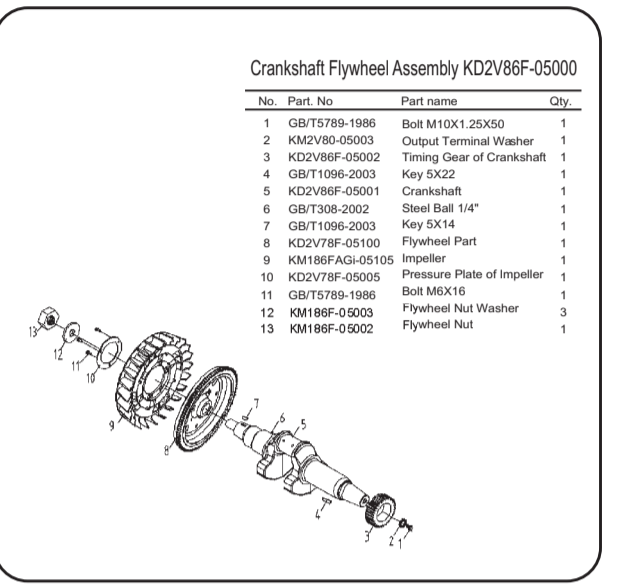
Lubricating System KD2V86F-09000

No.	Part No	Part name	Qty
1	KM2V80-09104	Driving Gear of Oil Pump	1
2	GB/T5789-1986	Bolt M6X16	4
3	KD2V86F-09106	Oil Pump Cover	1
4	KM2V80-09003	Pressure Limiting Valve Spring	1
5	KM2V80-09101	Inner Rotor	1
6	GB/T308-2002	Steel Ball 13/32"	1
7	KM2V80-09102	Outer Rotor	1
8	KD2V78F-09103	Rotor Pump Axle	1
9	KM2V80-09105	Axle Pin	2
10	KM379C-1012100	Element Assembly of Oil Filter	1
11	KG670-13212	Turnbuckle	1
12	KD2V78F-09211	Oil Filter Seat	1
13	KG670-13201	O-Ring	2
14	GB/T5789-1986	Bolt M6X25	3
15	GB/T5789-1986	Bolt M6X75	1
16	KG670-13001	Oil Pipe Clip	1
17	GB/T5789-1986	Bolt M6X20	9
18	KG670-13430	Oil Pipe Assembly of Cooler	1
19	KD2V78F-09430	Oil Outlet Pipe Assembly of Cooler	1
20	KG670-13401	O-Ring	2
21	KD2V78F-09410	Welding Part of Cooler	1
22	KG670-13002	Shock Pad of Cooler	2
23	KG670-13003	Shock Pad Bushing	2
24	KD2V78F-09420	Protection Net Rack Welding Part of Cooler	1
25	KD2V78F-09310	Coarse Filtering Net Assembly	1
26	KD2V78F-09301	Coarse Oil Filter Cover	1



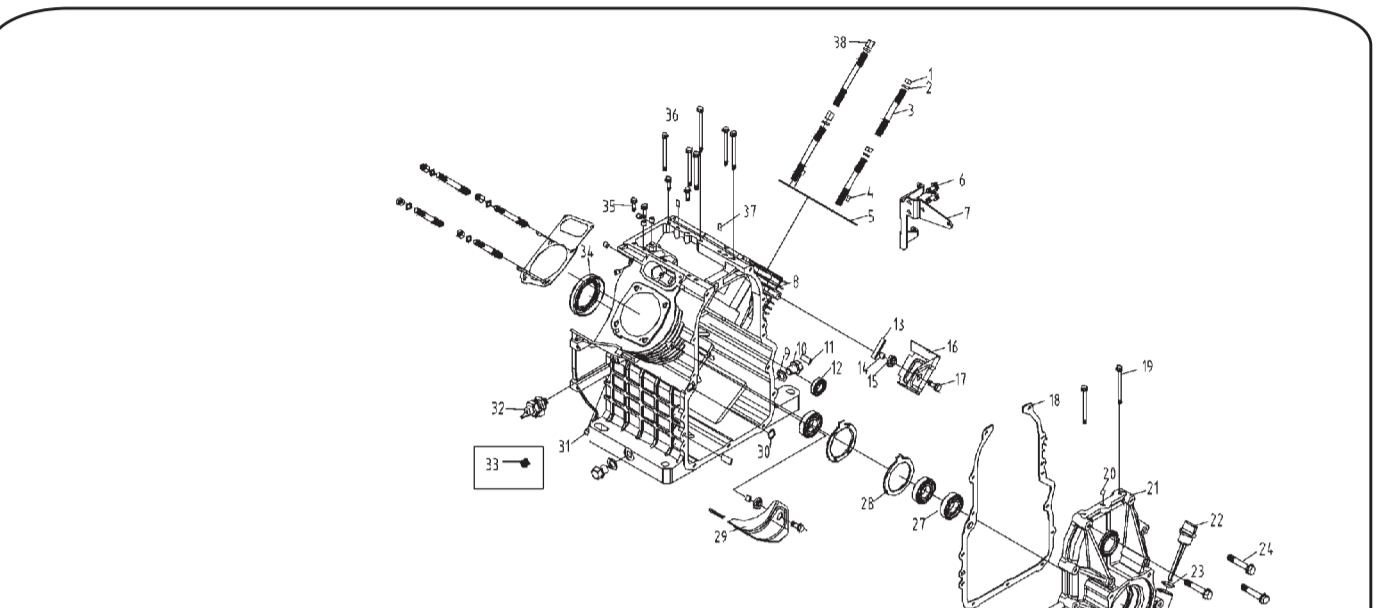
Flywheel Generator Assembly KD2V86F-16000

No.	Part No	Part name	Qty
1	KM168F-16200	Stator Part	1
2	GB/T197-12002	Washer 6	3
3	GB/T5783-2000	Bolt M6X20	3
4	GB/T1919-12000	Screw M8X14	2
5	KM168F-16100	Rotor Part	1
6	GB/T5783-2000	Bolt M6X12	1
7	KD2V86F-16001	Tension Disc	1



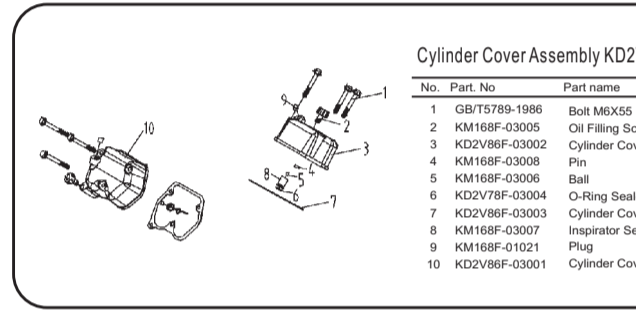
Crankshaft Flywheel Assembly KD2V86F-05000

No.	Part No	Part name	Qty
1	GB/T5789-1986	Bolt M10X1.25X50	1
2	KM2V80-05003	Output Terminal Washer	1
3	KD2V86F-05002	Timing Gear of Crankshaft	1
4	GB/T1096-2003	Key S622	1
5	KD2V86F-05001	Crankshaft	1
6	GB/T308-2002	Steel Ball 1/4"	1
7	GB/T1096-2003	Key S614	1
8	KD2V78F-05100	Flywheel Part	1
9	KM186FAGI-05105	Impeller	1
10	KD2V78F-05005	Pressure Plate of Impeller	1
11	GB/T5789-1986	Bolt M8X16	1
12	KM186F-05003	Flywheel Nut Washer	3
13	KM186F-05002	Flywheel Nut	1



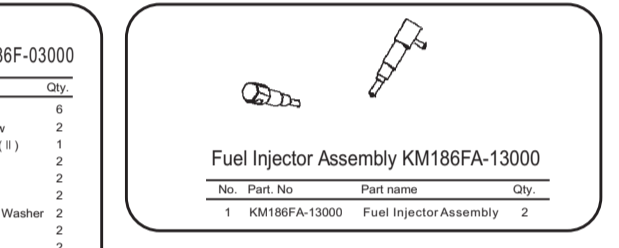
Cylinder Block Assembly KD2V86F-01000

No.	Part No	Part name	Qty
1	KM186F-01003	Cylinder Cover Nut(Thin)	4
2	KM186F-01006	Cylinder Cover Nut Washer	8
3	KM186F-01004	Double-ended Screw of Cylinder Cover	8
4	GB/T119-2-2000	Pin 4X10	4
5	KD2V86F-01004	Cylinder Cover Gasket	2
6	GB/T5789-1986	Bolt M6X16	2
7	GB/T5789-1986	Bolt M6X70	7
8	KD2V86F-01100	Machining Part of Cylinder Block	1
9	KG670-01008	Oil Draining Screw Gasket	2
10	KG670-01007	Oil Draining Screw	2
11	KM2V80-01016	Location Sleeve of Tank Cover	2
12	GB/T290-1998	Needle Bearing	1
13	KD2V86F-01203	Shock Insulation Washer	2
14	KM178F-01202	Bushing	2
15	KM178F-01201	Shock Insulation Gasket	2
16	KD2V86F-01210	Welding Part of Air Conduct Plate (I)	1
17	GB/T5789-1986	Bolt M6X30	2
18	KD2V86F-01005	Crankcase Cover Gasket	1
19	GB/T5789-1986	Bolt M6X70	7
20	GB/T308-2002	Steel Ball(S-9)	1
21	KD2V86F-01007	Machining Part of Crankcase Cover	1
22	KD2V86F-01007	Oil Rule	1
23	KD2V86F-01008	Sealing Ring of Oil Rule	1
24	GB/T5789-1986	Bolt M6X45	6
25	KD2V86F-01018	Oil Seal of Crankshaft Output	1
26	GB/T5789-1986	Bolt M6X70	7
27	KD2V86F-01008	Sliding Bearing	3
28	KD2V86F-01003	Thin Sheet of Crankshaft	2
29	KD2V86F-01310	Welding Part of Air Conduct Plate (I)	1
30	KG670-01027	O-Ring	1
31	KM168F-01021	Plug 4X8	6
32	KM178F-01300	Oil Alarm	1
33	KM168F-01017	Inner Hexagon Screw	1
34	KD2V86F-01019	Oil Seal of Crankshaft Flywheel	1
35	GB/T5789-1986	Bolt M6X25	4
36	GB/T5789-1986	Bolt M6X35	1
37	GB/T119-2-2000	Pin 6X12	2
38	KM186F-01005	Cylinder Cover Nut(Thick)	4



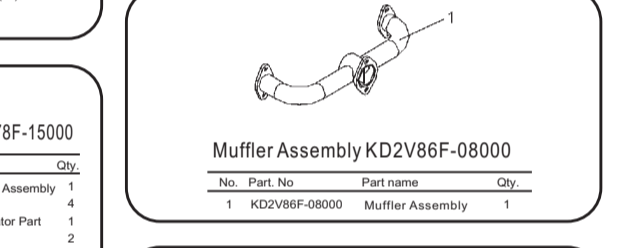
Cylinder Cover Assembly KD2V86F-03000

No.	Part No	Part name	Qty
1	GB/T5789-1986	Bolt M6X55	6
2	KM168F-03005	Oil Filling Screw	2
3	KD2V86F-03002	Cylinder Cover (I)	1
4	KM168F-03008	Pin	1
5	KM168F-03006	Ball	2
6	KD2V86F-03004	O-Ring Sealer	2
7	KD2V86F-03003	Cylinder Cover Washer	2
8	KM168F-03007	Inspirator Seat	2
9	KM168F-01021	Plug	2
10	KD2V86F-03001	Cylinder Cover (I)	1



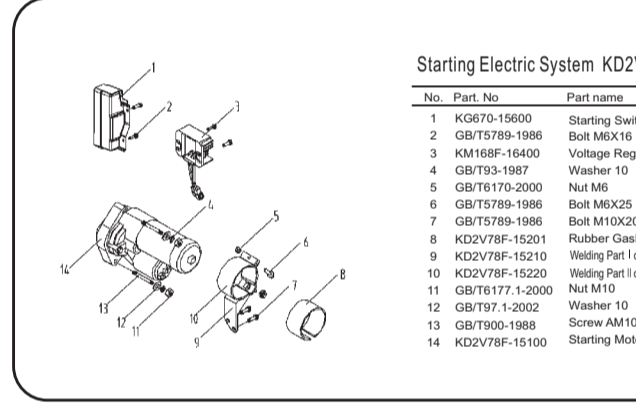
Fuel Injector Assembly KM186FA-13000

No.	Part No	Part name	Qty
1	KM186FA-13000	Fuel Injector Assembly	2



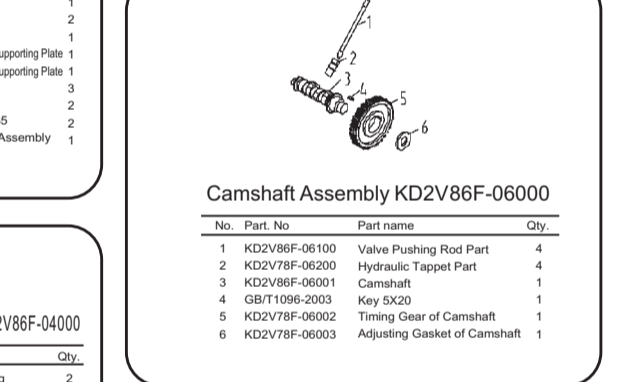
Muffler Assembly KD2V86F-08000

No.	Part No	Part name	Qty
1	KD2V86F-08000	Muffler Assembly	1



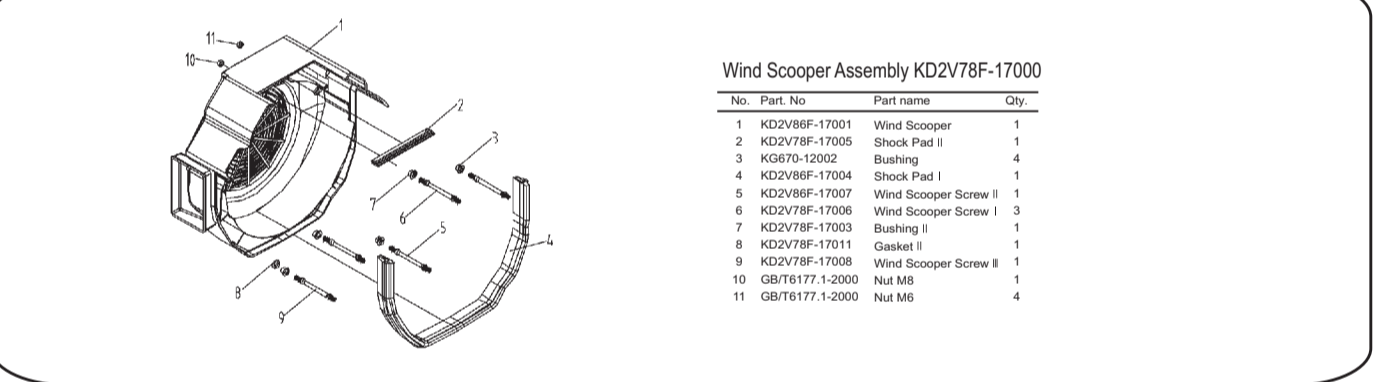
Starting Electric System KD2V78F-15000

No.	Part No	Part name	Qty
1	KG670-15600	Starting Switch Assembly	1
2	GB/T5789-1986	Bolt M6X16	4
3	KM168F-16400	Voltage Regulator Part	1
4	GB/T103-1957	Washer 10	2
5	GB/T6170-2000	Nut M6	1
6	GB/T5789-1986	Bolt M6X25	1
7	GB/T5789-1986	Bolt M6X20	2
8	KD2V78F-15201	Rubber Gasket	1
9	KD2V78F-15210	Welding Part of Supporting Plate	1
10	KD2V78F-15220	Welding Part of Supporting Plate	1
11	GB/T6171-12000	Nut M19	3
12	GB/T197-12002	Washer 10	2
13	GB/T900-1988	Screw AM10X35	2
14	KD2V78F-15100	Starting Motor Assembly	1



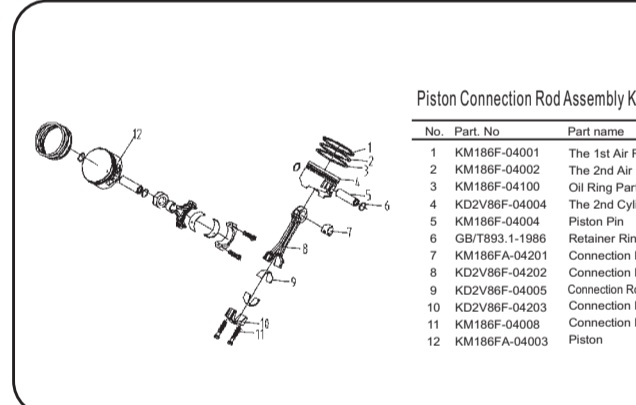
Camshaft Assembly KD2V86F-06000

No.	Part No	Part name	Qty
1	KD2V86F-06100	Valve Pushing Rod Part	4
2	KD2V78F-06200	Hydraulic Tappet Part	4
3	KD2V86F-06001	Camshaft	1
4	GB/T1096-2003	Key SX20	1
5	KD2V78F-06002	Timing Gear of Camshaft	1
6	KD2V78F-06003	Adjusting Gasket of Camshaft	1



Wind Scooper Assembly KD2V78F-17000

No.	Part No	Part name	Qty
1	KD2V86F-17001	Wind Scooper	1
2	KD2V78F-17005	Shock Pad II	1
3	KG670-12002	Bushing	4
4	KD2V86F-17004	Shock Pad I	1
5	KD2V86F-17007	Wind Scooper Screw II	1
6	KD2V78F-17006	Wind Scooper Screw I	3
7	KD2V78F-17003	Bushing I	1
8	KD2V78F-17011	Gasket II	1
9	KD2V78F-17008	Wind Scooper Screw III	1
10	GB/T6171-12000	Nut M6	1
11	GB/T6171-12000	Nut M6	4



Piston Connection Rod Assembly KD2V86F-04000

No.	Part No	Part name	Qty
1	KM186F-04001	The 1st Air Ring	2
2	KM186F-04002	The 2nd Air Ring	2
3	KM186F-04100	Oil Return Piston	2
4	KD2V86F-04004	The 2nd Cylinder Piston	1
5	KM186F-04004	Piston Pin	2
6	GB/T893-1-1986	Retainer Ring 21	4
7	KM186FA-04201	Connection Rod Bushing	2
8	KD2V86F-04002	Connection Rod	2
9	KD2V86F-04005	Connection Rod Bearing Bush	4
10	KD2V86F-04203	Connection Rod Cover	2
11	KM186F-04003	Connection Rod Bolt	1
12	KM186FA-04003	Piston	1

