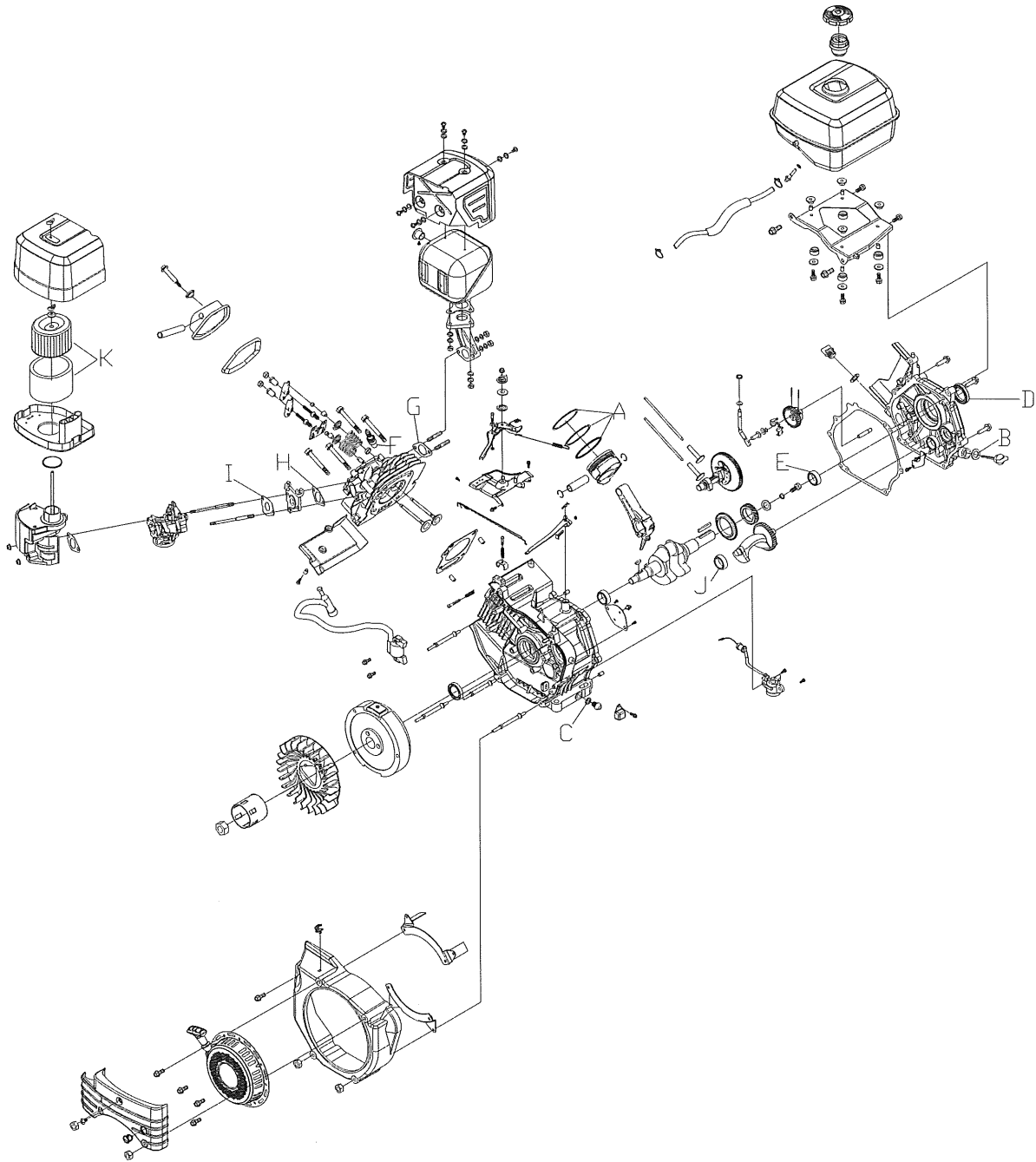


KG400 KG400E PARTS DRAWING



wearing parts

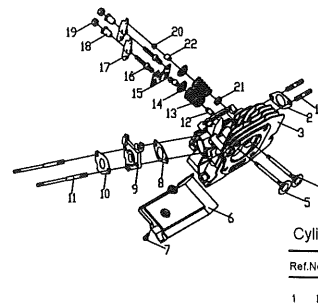
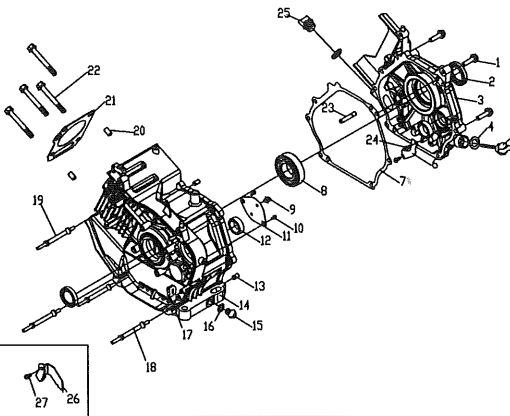
Ref. No.	Part. No.	Description	Qty.
A	KG400-04100T	Piston ring	1
B	KG240-01016	Oil dipstick gasket	2
C	KM168F-10008	Oil drain bolt gasket	2
D	KM340-01017	Oil seal	2
E	GB/T276-1994	Rolling bearing 6207	2
F	QC/T430-1999	Spark plug	1
G	KG240-02015	Vent pipe gasket	1
H	KG340-02014	Inlet pipe gasket	1
I	KG340-02021	Carburetor gasket A	1
J	GB/T276-1994	Rolling bearing 6202	2
K	KG340-07100	Filter element parts	1

FASTENING TORQUE OF MAIN BOLT & NUT (Unit: N.m)

Ref. No.	Description	Torgue
①	Connecting rod bolt	20-22
②	Flywheel nut	120-130
③	Crankcase cover bolt	20-23
④	Cylinder cover bolt	55-70
⑤	Rocker arm bolt M8	20-23

Engine block assembly(KG400(E)-01000)

Ref.No	Part.No	Description	Qty.
1	GB/T5789-1986	Bolt M8×40	7
2	KG340-01017	Oil seal	2
3	KG400-01006	Crankcase cover	1
4	KG240-01016	Oil dipstick gasket	2
5	KG240-01015	Oil dipstick	1
6	KG400-01023	Alarm crimp terminal	1
7	KG400-01005	Crankcase cover gasket	1
8	GB/T276-1994	Rolling bearing 6207	1
9	KG160-01019	Wire clip	1
10	GB/T5789-1986	Bolt M8×30	2
11	KG340-01021	Engine blanking plate	1
12	GB/T276-1994	Rolling bearing 6202	2
13	KG160-01011	Crankcase cover aligning pin	2
14	KG400-01001	Engine block	1
15	KG240-01007	Oil drain plug	2
16	KM168F-10008	Oil drain plug gasket	2
17	KG400-01013	Wire conduct	1
18	KG400-01025	Air director stud II	1
19	KG400-01024	Air director stud I	1
20	KG340-01012	Cylinder cover aligning pin	2
21	KG390-01004	Cylinder cover gasket	1
22	KG240-01003	Cylinder cover bolt	1
23	KG240-01009	Timing axes	2
24	GB/T818-2000	Bolt M5×12	2
25	KG240-01018	Oil port plug	1
26	KG400E-01022	Crimp terminal	1
27	GB/T5789-1986	Bolt M6×12	1

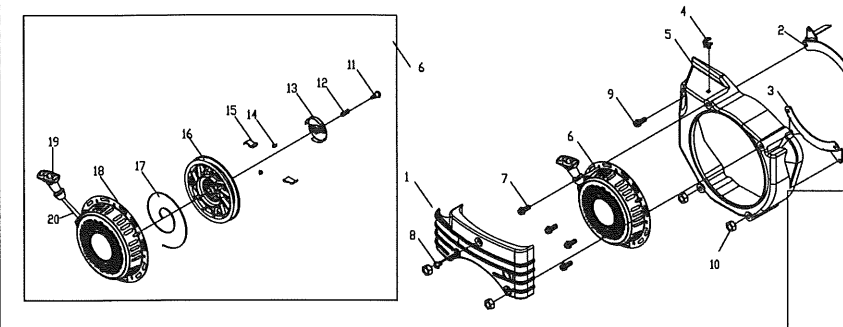


Cylinder cover assembly(KG390-02000)

Ref.No	Part.No	Description	Qty.
1	KG240-02017	Exhaust pipe bolt	2
2	KG240-02015	Exhaust pipe gasket	1
3	KG340-02100	Cylinder cover machining parts	2
4	KG670-02005	Exhaust valve	1
5	KG670-02004	Inlet valve	1
6	KG400-02022	Air deflector	1
7	GB/T5789-1986	Bolt M8×12	2
8	KG340-02011	Inlet pipe gasket	1
9	KG390-02019	Carburetor insulation collnets	1
10	KG340-02021	Carburetor gasket A	1
11	KG340-02016	Inlet pipe stud	2
12	KG240-02012	Oil seal of the inlet valve conduit	1
13	KG240-02006	Valve spring	2
14	KM168F-02002a	Valve spring seat	2
15	KG240-02011b	Push rod guidance	1
16	KG160-02007	Rocker arm shaft bolt	2
17	KG240-02009	Valve rocker arm	2
18	KG160-02008	Rocker arm shaft	2
19	KG160-02016	Adjust nut of rocker arm shaft	2
20	KG670-02003	Valve adjusting cushion block	2
21	KG240-02013	Spring seat of exhaust valve	1
22	KG670-02001	Valve lock clamp	1

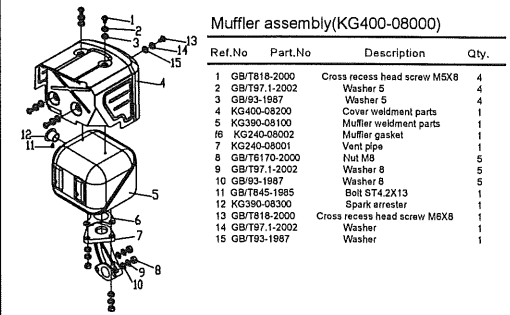
Recoil starter and fan cover(KG400-12000)

No.	Part No.	Description	Qty.
1	KG400-12500	Dalle assembly part	1
2	KG400-12300	Recoil starter fixing weldment I	1
3	KG400-12400	Recoil starter fixing weldment II	1
4	KG400-12001	Tubing pipe clip	1
5	KG400-12200	Fan cover unit	1
6	KG400-12100	Starter outer shell unit	1
7	GB/T5789-1986	Bolt M6X8	4
8	GB/T818-2000	Screw M6X14	1
9	GB/T5789-1986	Bolt M6X16	1
10	GB/T6177.1-2000	Nut M6	4
11	KG240-12006	Fastening bolt	1
12	KG240-12004	Friction spring	1
13	KG240-12005	Pallet guide plate	1
14	KG240-12007	Pallet spring	2
15	KG240-12008	Pallet	2
16	KG340-12002	Starter reel	1
17	KG240-12003	Recoil starter spring	1
18	KG400-12110	Starter outer shell weldment I	1
19	KG240-12011	Starting handle	1
20	KG340-12009	Starting pull rope	1



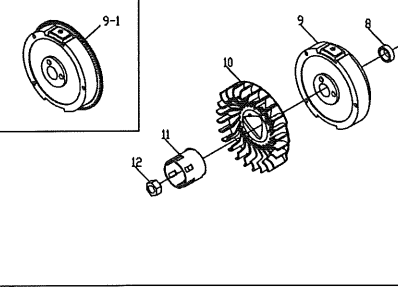
Crankshaft Flywheel Assembly KG340(E)-05000

No.	Part No.	Description	Qty.
1	KM168F-05007	Tighten bolt of output end	1
2	GB/T93-1987	Washer 10	1
3	KG340-05002	Timing gear	1
4	KG340-05003	Driving gear of balance shaft	1
5	GB/T1096-2003	Key 8X40	1
6	KG340D-05001	Crankshaft	1
7	KG160-05007	Key	1
8	GB/T276-1994	Rolling bear 6207	1
9	KG340-05100	Flywheel part	1
9-1	KG340E-05100	Flywheel part	1
10	KG340-05006	Impeller	1
11	KG340-05200	Starting pull wheel part	1
12	KG240-05004	Flywheel nut	1
13	KM178F-05008	Output end washer	1
14	KG340-05005	Balance shaft	1



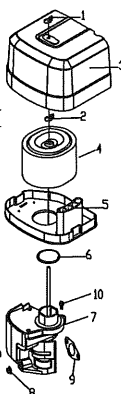
Muffler assembly(KG400-08000)

Ref.No	Part.No	Description	Qty.
1	GB/T818-2000	Cross recess head screw M5X8	4
2	GB/T97.1-2002	Washer 5	4
3	GB/93-1987	Washer 5	4
4	KG400-08200	Cover weldment parts	2
5	KG390-08100	Muffler weldment parts	1
6	KG240-08002	Muffler gasket	1
7	KG240-08001	Vent pipe	1
8	GB/T6170-2000	Nut M8	5
9	GB/T97.1-2002	Washer 8	5
10	GB/93-1987	Washer 8	5
11	GB/T845-1985	Bolt ST4.2X13	1
12	KG390-08300	Spark arrester	1
13	GB/T818-2000	Cross recess head screw M8X8	1
14	GB/T97.1-2002	Washer	1
15	GB/T93-1987	Washer	1



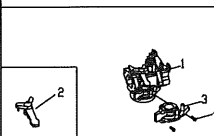
KG400-07000 Air Filter Assembly

No.	Part No.	Description	Qty.
1	KG400-07005	Air filter locknut	1
2	GB/T62.1-2004	Nut M6	1
3	KG400-07001	Upper cover shell	1
4	KG340-07100	Filter element parts	1
5	KG400-07002	Lower cover shell	1
6	KG240-07003	Seal gasket	1
7	KG400-07200	Bottom seat part	1
8	GB/T6177.1-2000	Nut m6	2
9	KG240-07004	Carburetor washer	1
10	GB/T5789-1986	Bolt M6X20	1
11	KG240-07110	Shockproof seal parts	1



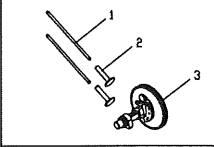
Piston connection rod assembly(KG400-04000)

Ref.No	Part.No	Description	Qty.
1	KG400-04100T	Piston ring	1
2	KG340-04005	Retainer ring	2
3	KG340-04004	Piston pin	1
4	KG400-04003	Piston	1
5	KG340-04200	Connection rod assembly	1



Carburetor and oil breaker assembly (KG400-10000)

Ref.No	Part.No	Description	Qty.
1	P27-a-000	Carburetor assembly	1
2	P18-028	Choke handle	1
3	KG400-10100	Switch block of oil tank	1
4	GB/T818-2000	Bolt M5X14	2

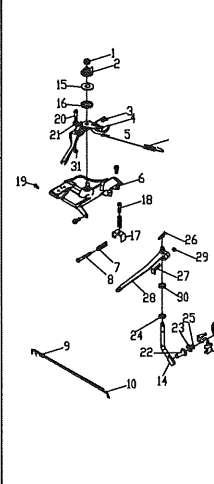


Camshaft Assembly (KG400-06000)

Ref.No	Part.No	Description	Qty.
1	KG340-06002a	Valve push rod	2
2	KG240-06001	Valve tappet	2
3	KG400-06100	Camshaft	1

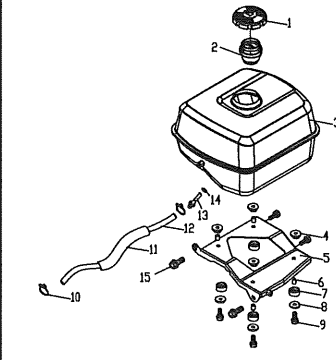
Speed Adjusting and Controlling System KG400-11000

No.	Part No.	Description	Qty.
1	GB/T6187.1-2000	Nut M6	1
2	KG240-11203	Tighten Gasket	1
3	KG240-11206	Speed Adjusting Spring I	1
4	KG400-11201	Speed Adjusting Handle	1
5	KG340-11003	Speed Adjusting Spring	1
6	KG400-11210	Supporting Plate Weldment Parts	1
7	KG400-11205	Adjusting Spring	2
8	GB/T818-2000	Screw M5X30	1
9	KG240-11001	Idle Adjusting Spring	1
10	KG340-11002	Speed Adjusting Pull Rod	1
11	KG240-11103	Fly Ball Pin	2
12	KG340-11101	Adjusting Gear	1
13	KG340-11102	Fly Ball	2
14	KG340-11005	Speed Limitation Push Rod	1
15	KG160-11202	Saddle Type Washer	1
16	KG160-11204	Friction Sheet	1
17	KG160-11208	Pushing Wire Cover	1
18	GB/T818-2000	Screw M5X16	1
19	GB/T5789-1986	Bolt M6X12	3
20	GB/T823-1988	Screw M4X6	1
21	KG160-11207	Pushing Wire Tighten Nut	1
22	KG240-11004	Sliding Bush	1
23	KG160-11006	Gasket	1
24	KG240-11008	Push Rod Gasket	1
25	KG160-11009	Retainer Ring	1
26	KG240-11012	Clip Spring	1
27	KG160-11007	Square Head Bolt	1
28	KG340-11011	Speed Adjusting Arm	1
29	GB/T6177.1-2000	Nut M6	1
30	KM168F-11008	Oil Seal 8X14X2.6	1
31	GB/T896-1986	Retainer Ring	1



Fuel Sytem KG400-09000

No.	Part No.	Description	Qty.
1	KG160-09200	Fuel tank cover part	1
2	KG160-09400	Filter trap part	1
3	KG400-09100	Fuel tank weldment	1
4	KG400-09521	Shock-reducing rubber I	4
5	KG400-09510	Tank plate stay weldment parts	4
6	KG400-09523	Bushing block	4
7	KG400-09522	Shock-reducing rubber II	4
8	KG400-09001	Washer	4
9	GB/T6177.1-2000	Nut M6	4
10	KG160-09003	Clip	2
11	KG240-09004	Pipeline jacket	1
12	KG340-09002	Pipeline	1
13	KG160-09300	Nozzle assembly	1
14	KG160-09005	Nozzle gasket	1
15	GB/T5789-1986	Bolt M8X20	4



Cylinder cover assembly(KG240-03000)

Ref.No	Part.No	Description	Qty.
1	KG240-03003	Fastening bolt of cylinder cover	1
2	KG240-03004	Fastening bolt washer of cylinder cover	1
3	KG240-03100	Cylinder cover parts	1
4	KG240-03001	Seal ring of cylinder cover	1
5	KG240-03002	Vent pipe	1

