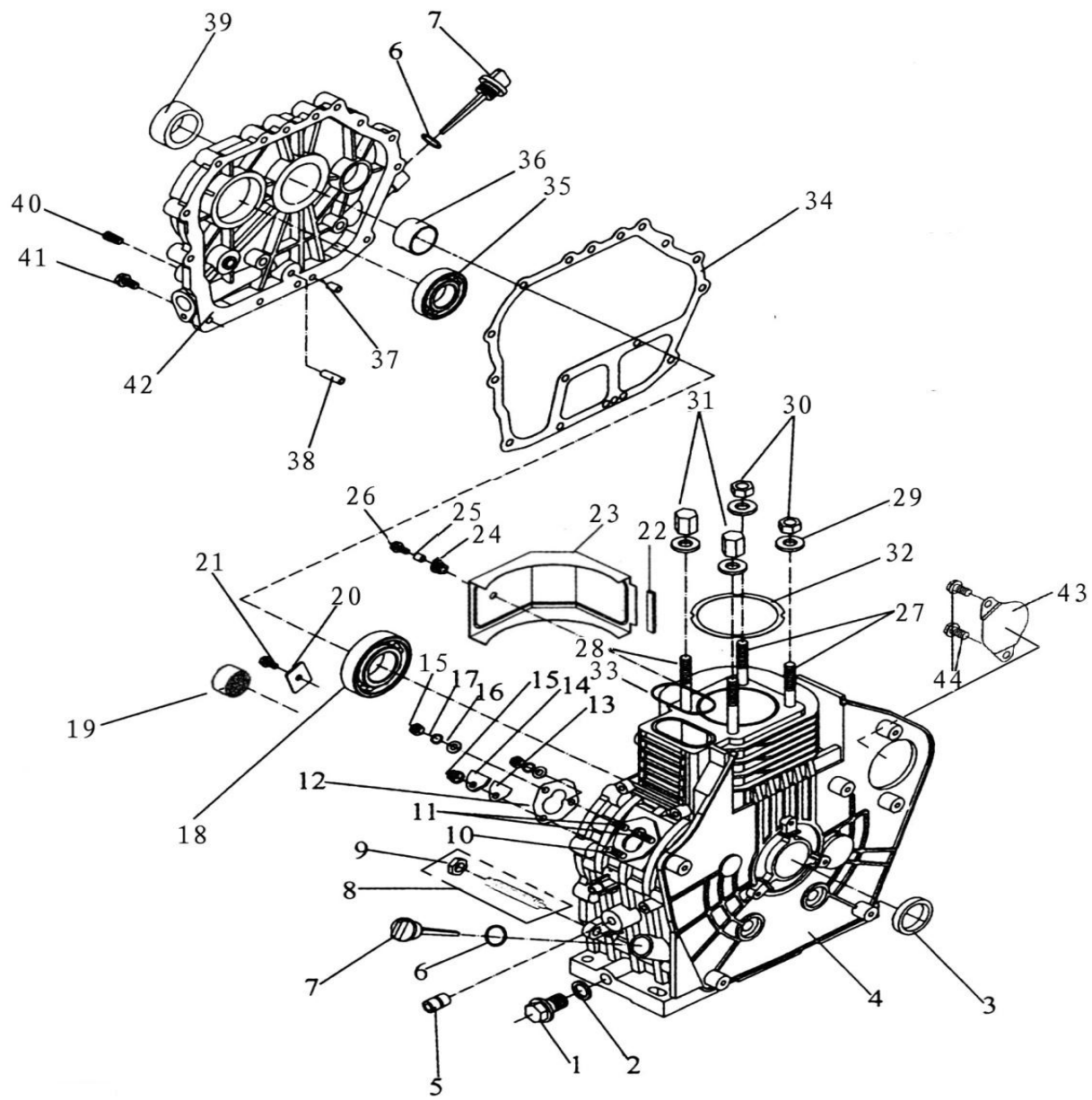




# **SPARE PART LIST**

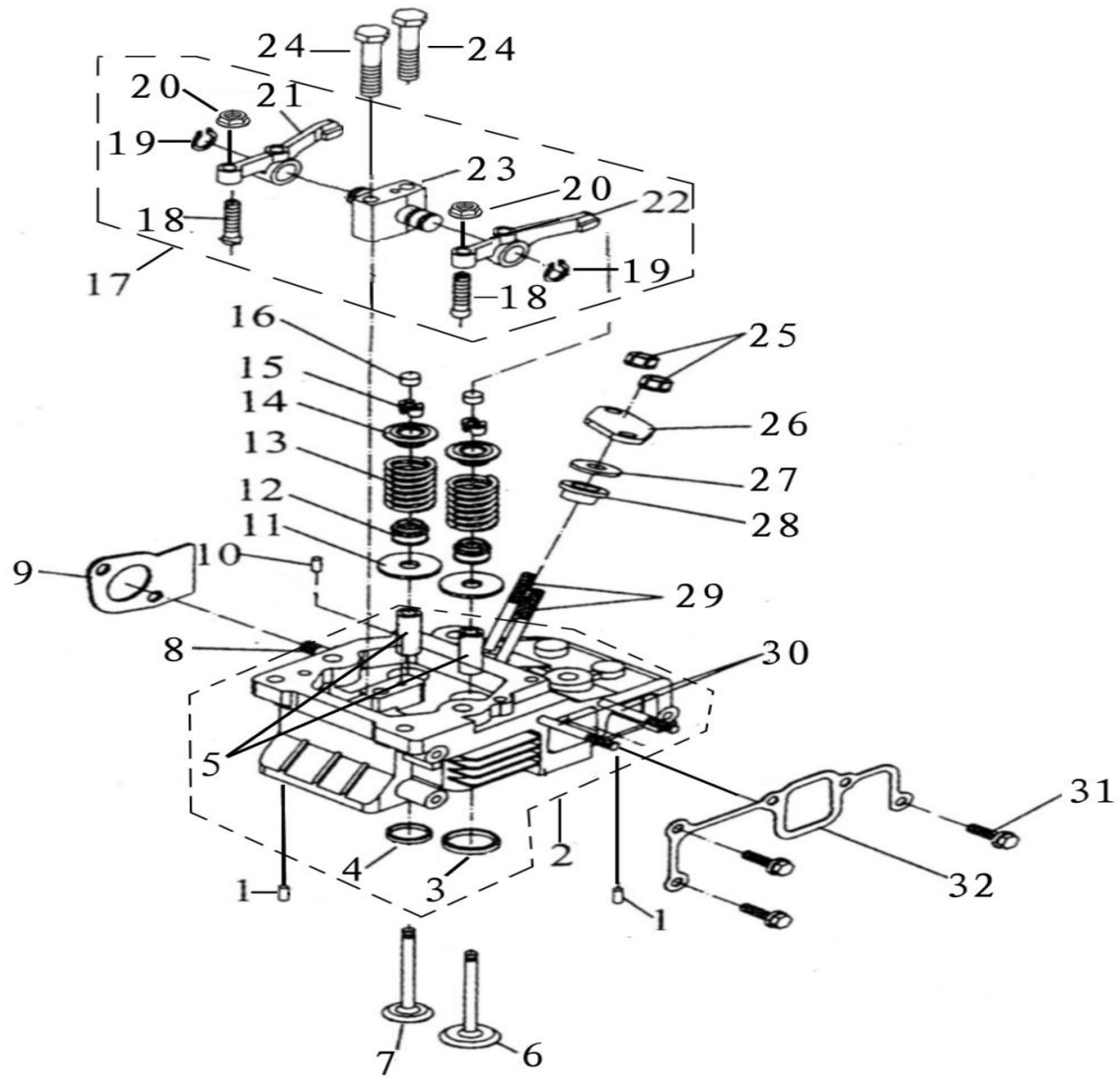
**W 100D**



### Cylinder Block Assy

Ref.	Part No	Description	QTY
1	588 46 73-01	Plug	1
2	588 46 75-01	Seal	1
3	588 46 76-01	Seal	1
4	588 46 77-01	Cylinder Block	1
5	588 46 78-01	Needle Bearing	2
6	588 46 79-01	O-Ring	2
7	588 46 80-01	Pin	2
8/9	588 46 83-01	Fuel Gauge	1
10	588 46 84-01	Stud AM6x30	1
11	588 46 85-01	Stud AM6x40	2
12	588 46 86-01	Gasket	Required
13	588 46 87-01	Seal	1
14	588 46 88-01	Seal	1
15	588 46 89-01	Nut M6	3
16	588 46 90-01	Washer	2
17	588 46 91-01	Spring Washer	2
18	588 46 93-01	Ball Bearing	1
19	588 46 94-01	Needle Bearing	1
20	588 46 96-01	Retainer	1
21	588 46 98-01	Bolt M8x16	1
22	588 47 00-01	Pad	1
23	588 47 01-01	Cover	1

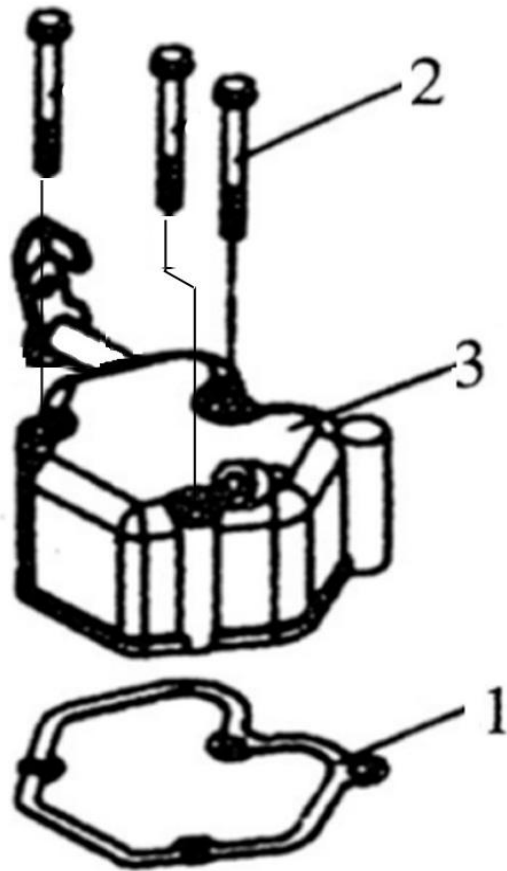
Ref.	Part No	Description	QTY
24	588 47 15-01	Vabration Isolator	1
25	588 47 16-01	Pad	1
26	588 47 17-01	Bolt M6x20	1
27	588 47 19-01	Stud M10x105	2
28	588 47 20-01	Stud M10x118	2
29	588 47 21-01	Washer	4
30	588 47 22-01	Nut	2
31	588 47 23-01	Nut	2
32	588 47 24-01	Shim	1
33	588 47 25-01	Cylinder Head Ring	1
34	588 47 26-01	Gasket	1
35	588 47 27-01	Ball Bearing	1
36	588 47 28-01	Bearing	1
37	588 47 29-01	Pin 8x12	2
38	588 47 30-01	Indicator, Oil	1
39	588 47 31-01	Seal	1
40	588 47 32-01	Plug	1
41	588 47 33-01	Bolt M8 x 33.5	16
42	588 47 34-01	Cover	1
43	588 47 36-01	Cover	1
44	588 47 37-01	Bolt M10x20	2



**Cylinder Head Assy**

Ref.	Part No	Description	QTY
1	588 47 38-01	Pin 4x8	1
2	588 47 39-01	Cylinder Head	1
3	588 60 71-01	Intake guide Seat	1
4	588 60 73-01	Exhaust guide,Seat	1
5	588 60 74-01	Valve guide	2
6	588 47 40-01	Valve	1
7	588 47 41-01	Valve	1
8	588 47 42-01	Stud AM8x32	2
9	588 47 43-01	Gasket	1
10	588 47 38-01	Pin 4x8	1
11	588 48 13-01	Spring Washer	2
12	588 48 14-01	Seal	2
13	588 48 15-01	Spring Retainer	2
14	588 48 16-01	Arm Assy	2
15	588 48 17-01	Cotter	4

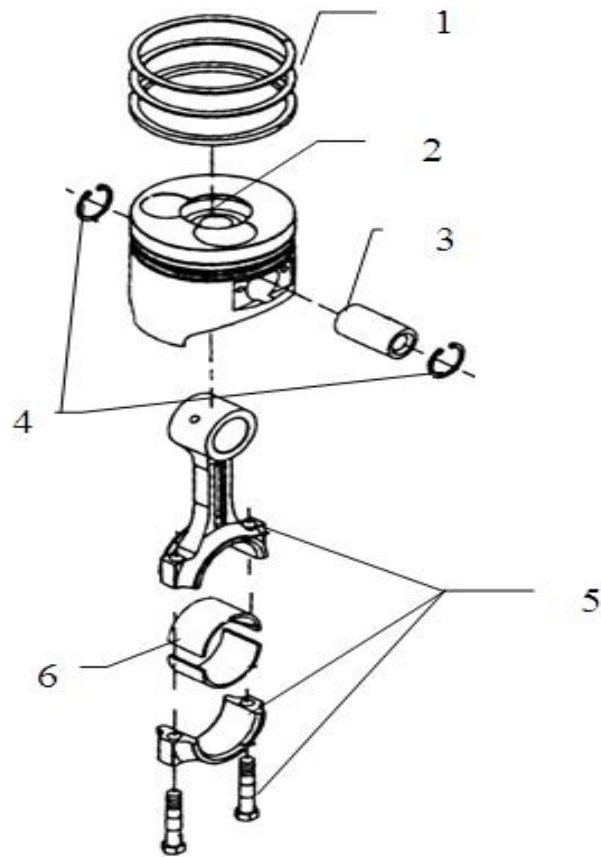
Ref.	Part No	Description	QTY
16	588 48 19-01	Plate	2
17	588 48 20-01	Arm Assy	1
18	588 60 75-01	Regulating screw	1
19	588 60 76-01	φ15 Washer	1
20	588 60 77-01	Regulating nut	1
21	588 60 78-01	Rocker-arm of exhaust	1
22	588 60 79-01	Rocker-arm of air inlet	1
23	588 60 80-01	Seat of rocker shaft	1
24	588 60 81-01	Bolt M8x50	2
25	588 46 89-01	Nut M6	2
26	588 48 22-01	Clamp	1
27	588 48 23-01	Washer	Required
28	588 48 24-01	Sleeve	1
29	588 48 25-01	Stud AM6x67	2
30	588 48 26-01	Stud AM6x95	2
31	588 48 77-01	Bolt M6x25	3
32	588 48 27-01	Gasket	1



**Bonnet Assy**

Ref.	Part No	Description	QTY
1	588 48 28-01	Gasket	1
2	588 48 29-01	Bolt M6x70	3

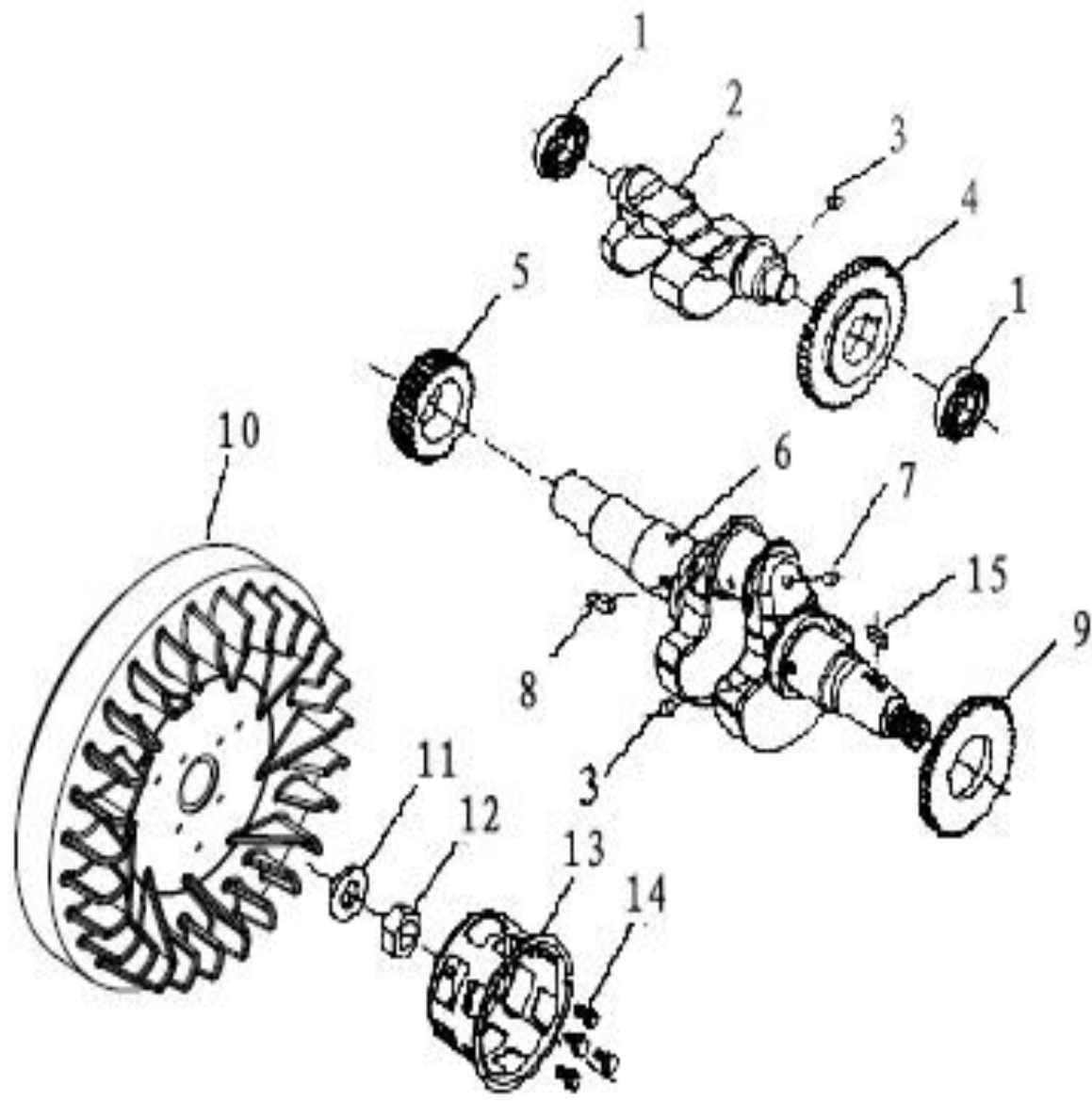
Ref.	Part No	Description	QTY
3	588 48 30-01	Cap Assy	1



**Piston and Connecting Rod Assy**

Ref.	Part No	Description	QTY
1	588 48 31-01	Piston Ring Set	1
2	588 48 32-01	Piston	1
3	588 48 33-01	Piston Pin	1

Ref.	Part No	Description	QTY
4	588 48 34-01	Washer	2
5	588 48 35-01	Connecting Rod Assy	1
6	588 48 36-01	Bearing	2

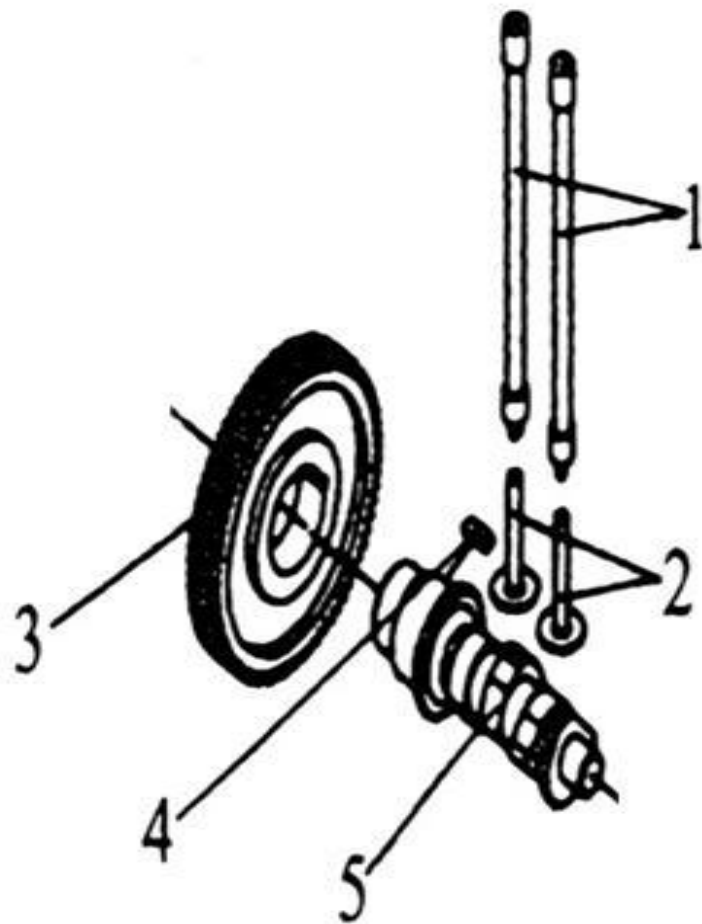




**Fly Wheel Assy**

Ref.	Part No	Description	QTY
1	588 48 37-01	Ball Bearing	2
2	588 48 38-01	Shaft	1
3	588 48 39-01	Key 5x7	2
4	588 48 40-01	Gear Wheel	1
5	588 48 41-01	Gear Wheel	1
6	590 60 24-01	Crankshaft	1
7	588 48 79-01	Steel Ball	1
8	588 48 80-01	Key 5x12	1

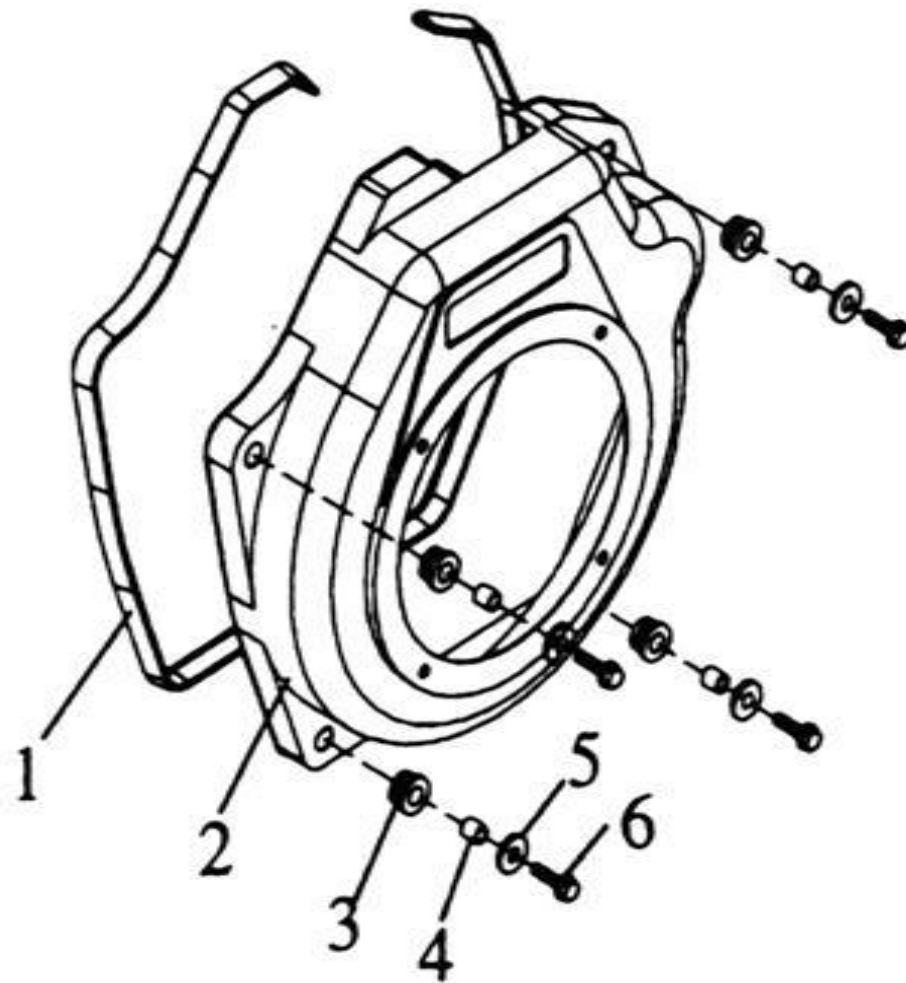
Ref.	Part No	Description	QTY
9	588 48 81-01	Gear Wheel	1
10	588 48 82-01	Flywheel	1
11	588 48 83-01	Nut Washer	1
12	588 48 84-01	Nut	1
13	588 48 86-01	Starter Pulley	1
14	588 48 88-01	Bolt M6x12	4
15	588 49 77-01	Key 5x14	1



**Camshaft Assy**

Ref.	Part No	Description	QTY
1	588 48 89-01	Rod	2
2	588 48 90-01	Valve	2
3	588 48 92-01	Gear Wheel	1

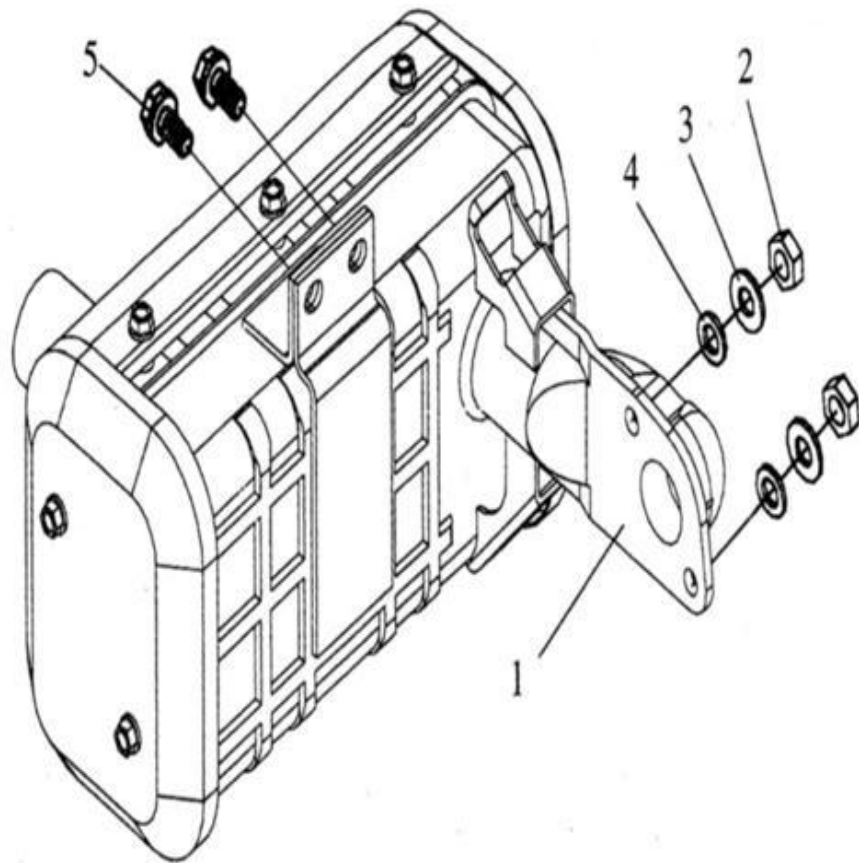
Ref.	Part No	Description	QTY
4	588 48 80-01	Key 5x12	1
5	588 48 93-01	Camshaft	1



**Fan Cover Assy**

Ref.	Part No	Description	QTY
1	588 49 11-01	Gasket	1
2	588 48 95-01	Case	1
3	588 48 96-01	Absorber	4

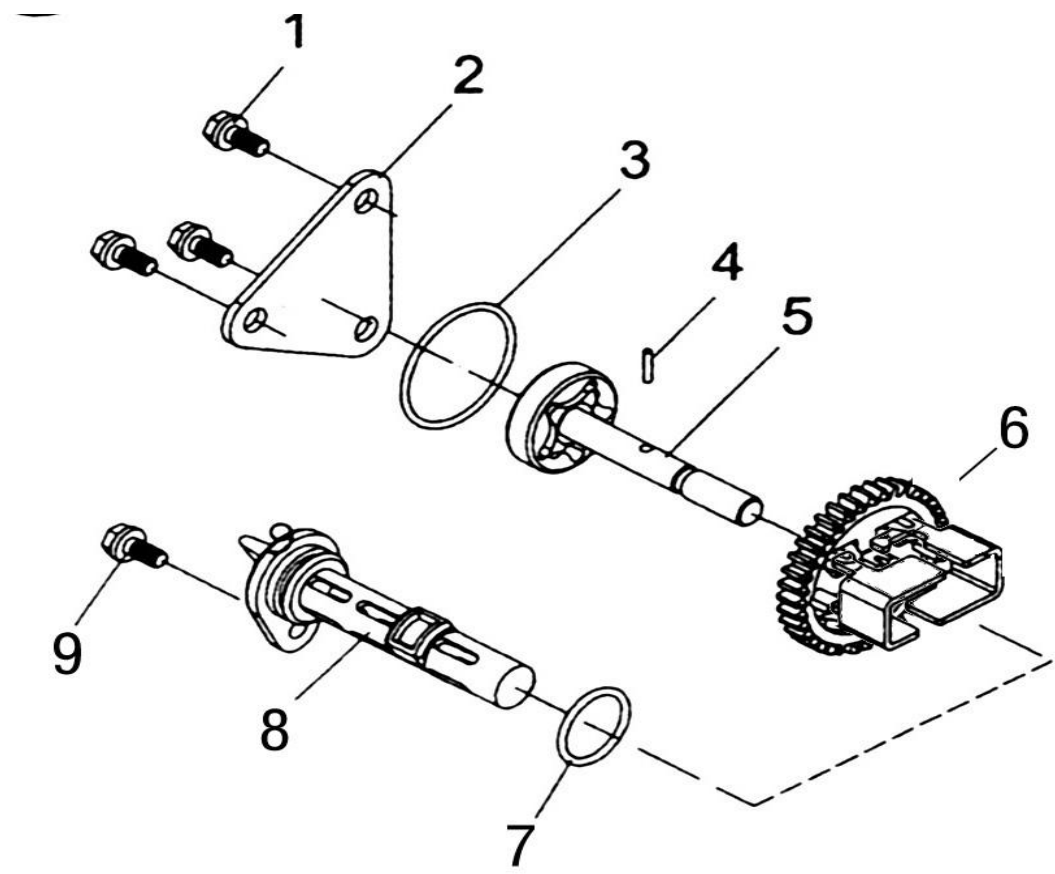
Ref.	Part No	Description	QTY
4	588 48 98-01	Collar	4
5	588 49 00-01	Washer	4
6	588 48 77-01	Bolt M6x25	4



**Muffler Assy**

Ref.	Part No	Description	QTY
1	588 49 13-01	Muffler	1
2	588 49 14-01	Nut	2
3	588 49 15-01	Spring Washer	2

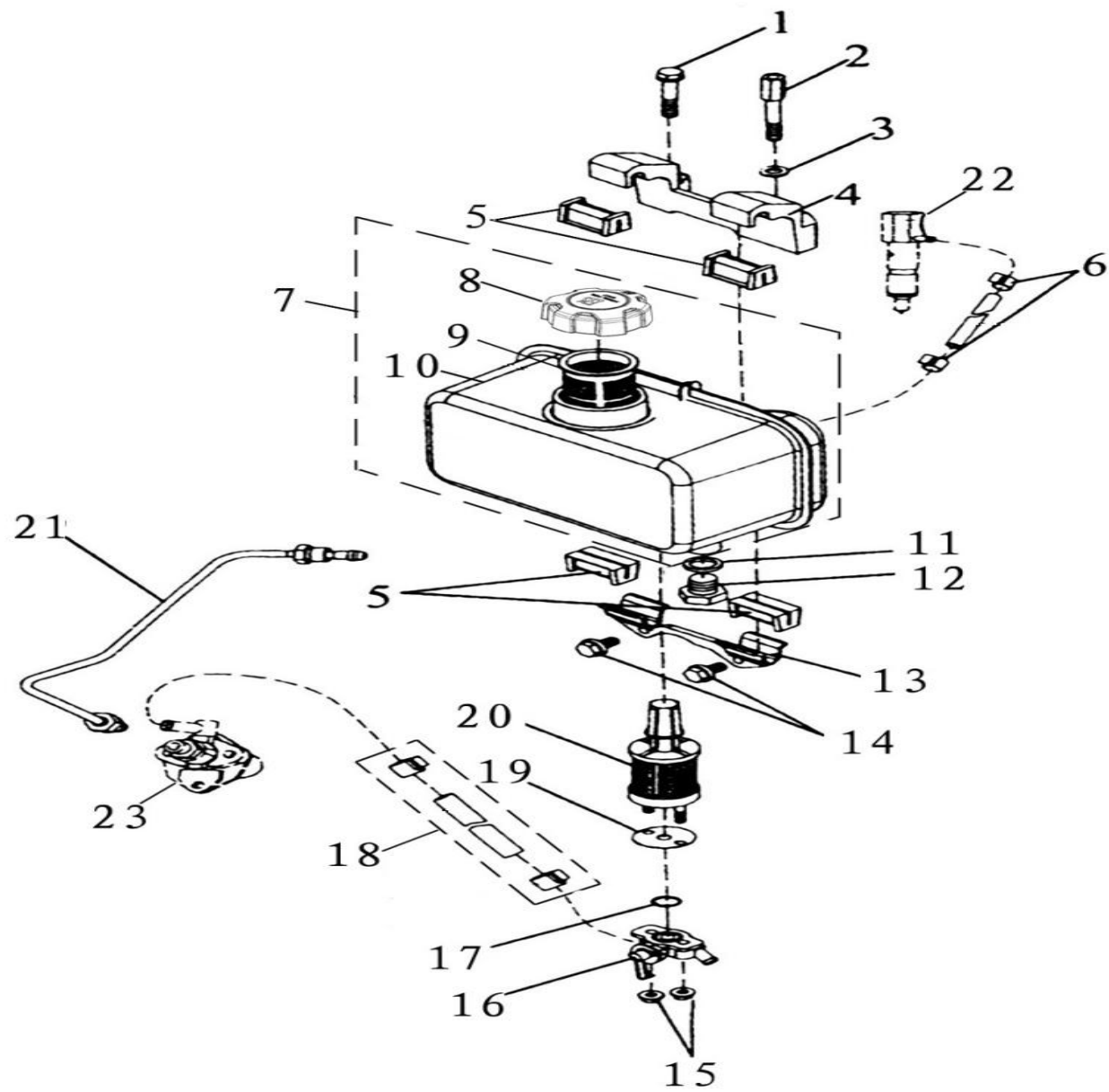
Ref.	Part No	Description	QTY
4	588 49 16-01	Washer	2
5	588 46 98-01	Bolt M8x16	2



**Lubrication System**

Ref.	Part No	Description	QTY
1	588 48 88-01	Bolt M6x12	3
2	588 49 17-01	Cover	1
3	588 49 18-01	O-Ring	1
4	588 49 19-01	Pin	1
5	588 49 20-01	Oil Pump	1

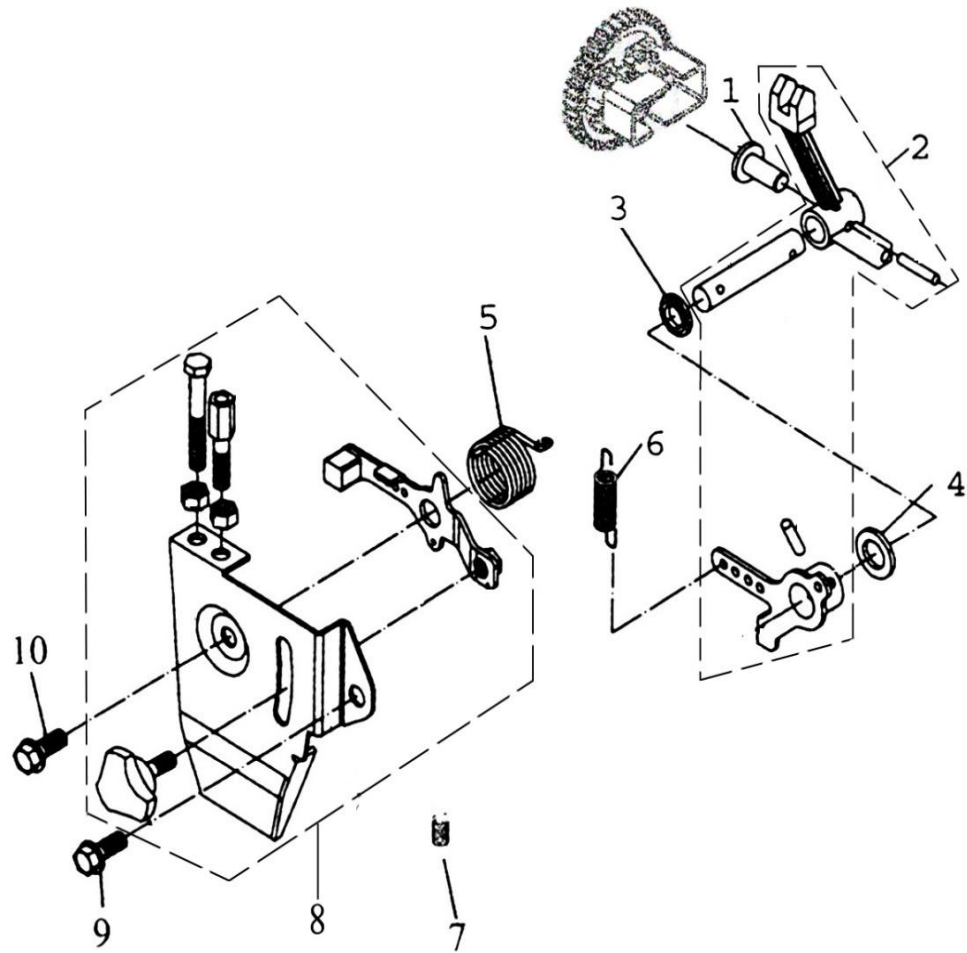
Ref.	Part No	Description	QTY
6	588 49 78-01	Gear	1
7	588 46 79-01	O-Ring	1
8	588 49 21-01	Oil Filter	1
9	588 49 22-01	Bolt M6x14	1



**Fuel Sytem**

Ref.	Part No	Description	QTY
1	588 48 21-01	Bolt M8x45	1
2	588 49 23-01	Bolt	1
3	588 49 16-01	Washer	1
4	588 49 24-01	Bracket	1
5	588 49 29-01	Damper	4
6	588 49 30-01	Pipe	1
7	588 49 41-01	Fuel Tank	1
8	588 49 42-01	Fuel Cap	1
9	588 49 43-01	Fuel Filter	1
10	588 60 82-01	Fuel Tank Body	1
11	588 49 31-01	Gasket	1
12	588 49 32-01	Plug	1
13	588 49 34-01	Bracket	1
14	588 49 22-01	Bolt M6x14	2

Ref.	Part No	Description	QTY
15	588 46 89-01	Nut M6	2
16	588 49 35-01	Fuel Tap	1
17	588 49 36-01	O-Ring	1
18	588 49 37-01	Fuel Pipe	1
19	588 49 38-01	Gasket	1
20	588 49 39-01	Fuel Filter	1
21	588 49 40-01	Pipe	1
22	588 49 79-01	Fuel Injector Assy	1
23	588 49 80-01	Fuel Pump Assy	1

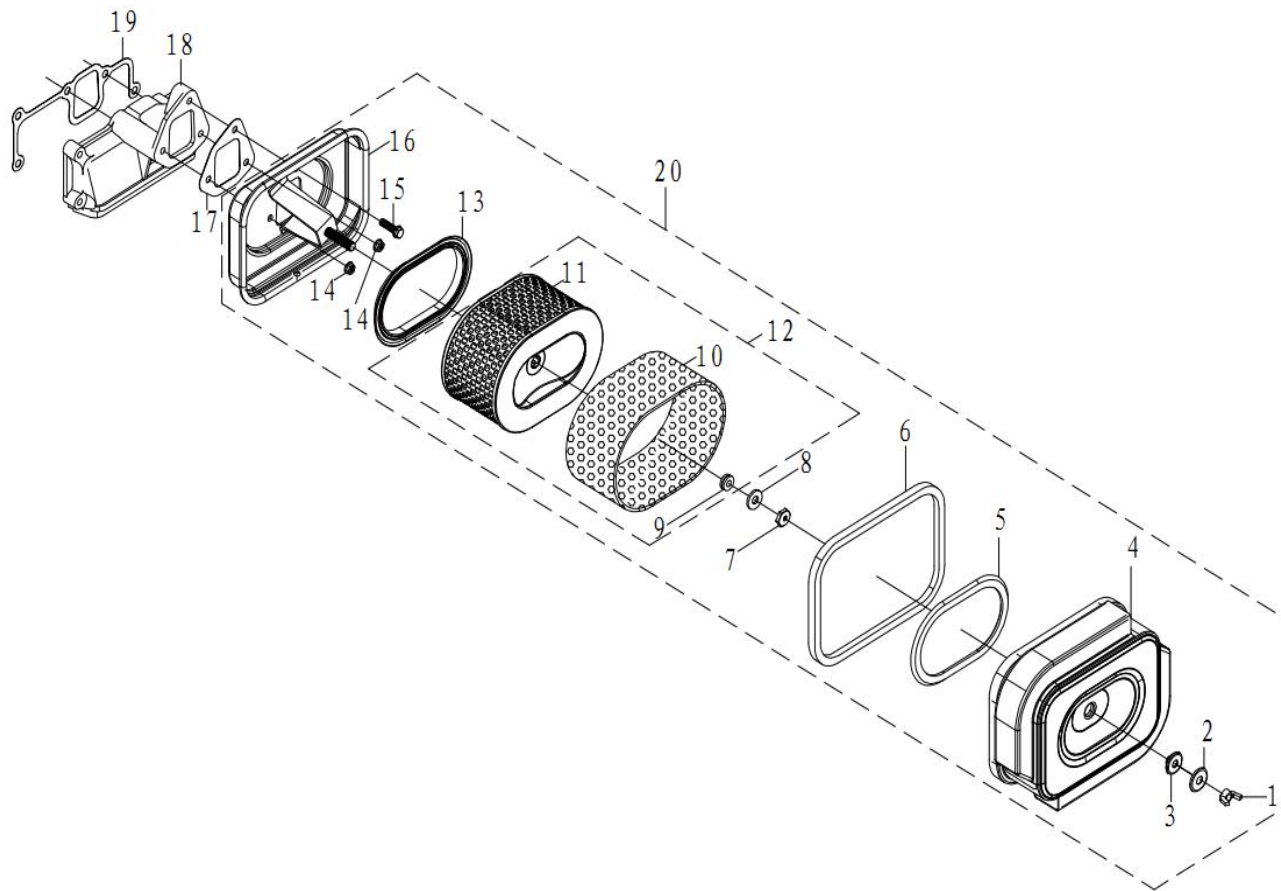


**Control Lever Assy**

Ref.	Part No	Description	QTY
1	588 49 44-01	Tappet	1
2	588 49 45-01	Lever	1
3	588 49 46-01	Seal	1
4	588 49 47-01	Washer	2
5	588 49 48-01	Spring	1

Ref.	Part No	Description	QTY
6	588 49 49-01	Spring	1
7	588 49 50-01	Spring	1
8	588 49 51-01	Lever	1
9	588 48 88-01	Bolt M6x12	1
10	588 48 77-01	Bolt M6x25	1





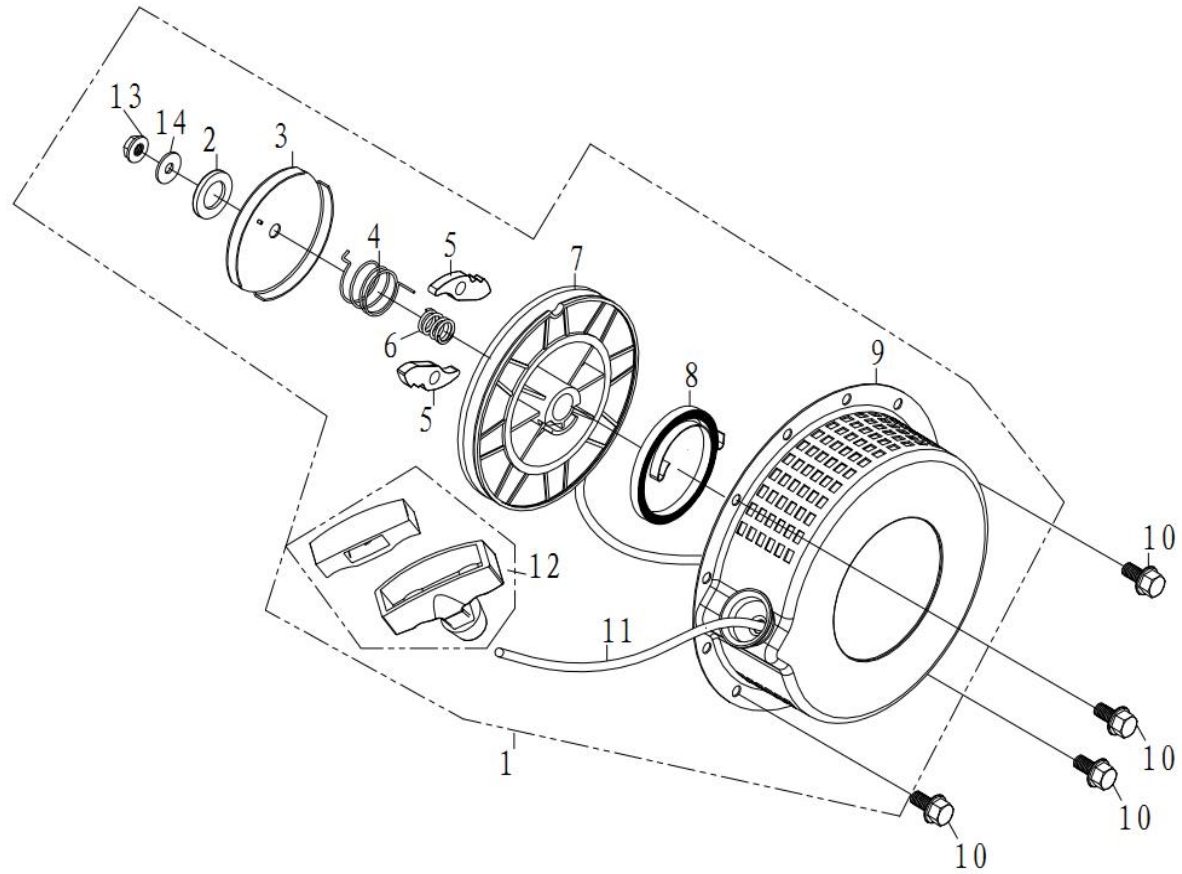
**Intake System**

Ref.	Part No	Description	QTY
1	590 60 28-01	Nut M8	1
2	590 39 41-01	Seal	1
3	590 60 34-01	Seal	1
4	590 60 36-01	Cover	1
5	590 60 37-01	Seal	1

Ref.	Part No	Description	QTY
11	590 60 50-01	Filter	1
12	590 60 52-01	Fiter Kit	1
13	590 60 53-01	Seal	1
14	590 60 54-01	Nut M6 Flange	2
15	590 60 55-01	Bolt M6x16 Flange	1

6	590 60 39-01	Seal	1
7	590 60 41-01	Nut M8	1
8	590 60 45-01	Washer	1
9	590 60 47-01	Bush	1
10	590 60 48-01	Filter	1

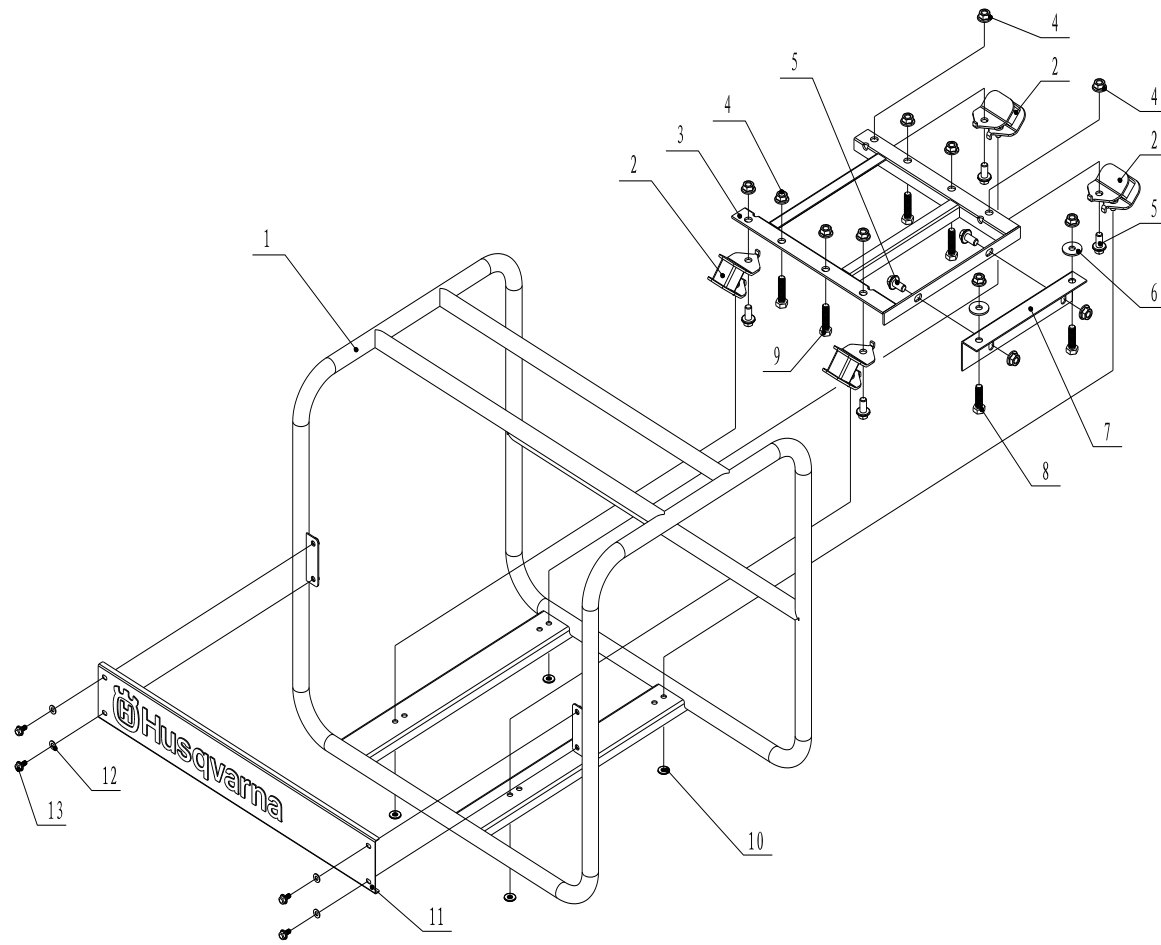
16	590 60 56-01	Housing	1
17	590 60 57-01	Gasket	1
18	590 60 58-01	Pipe Intake	1
19	590 60 60-01	Gasket	1
20	590 60 61-01	Air Cleaner Assy	1



### Recoil Starting Assy

Ref.	Part No	Description	QTY
1	588 49 81-01	Recoil Starter Assy	1
2	588 49 82-01	Friction Reel	1
3	590 60 84-01	Cover	1
4	590 60 85-01	Return Spring	1
5	588 49 86-01	Ratchet	1
6	590 60 86-01	Compressed Spring	1
7	588 49 88-01	Reel	1

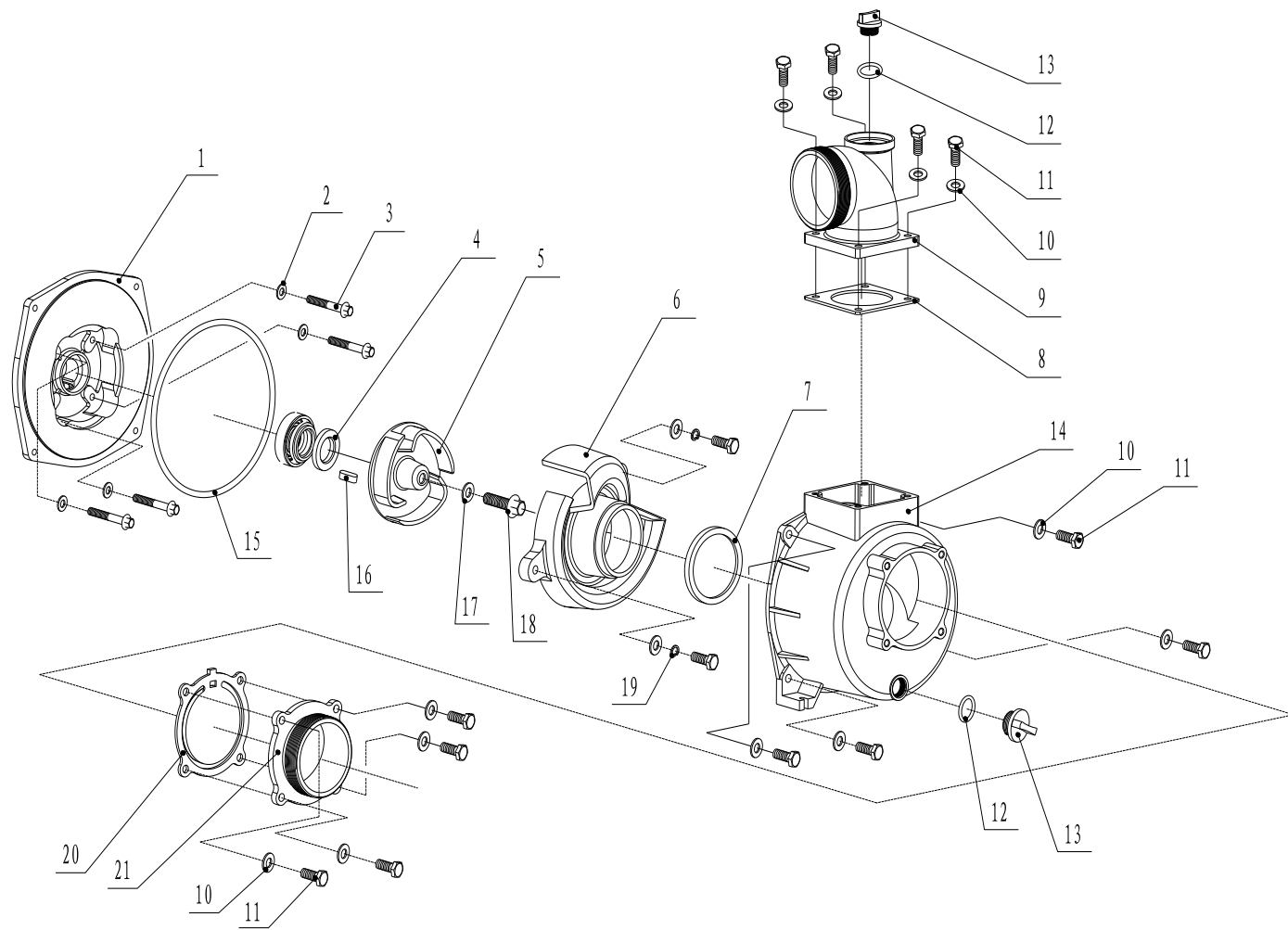
Ref.	Part No	Description	QTY
8	588 49 89-01	Spring	1
9	588 49 90-01	Case	1
10	588 49 91-01	Bolt M6 x8	4
11	588 49 92-01	Starter Rope	1
12	588 49 93-01	Handle	1
13	588 49 94-01	Nut M8	1



**Frame**

Ref.	Part No	Description	QTY
1	590 60 88-01	Frame	1
2	590 60 90-01	Bracket	4
3	590 60 91-01	Support Plate	1
4	590 60 93-01	Nut M10	12
5	590 60 94-01	Bolt M10x20	6
6	590 60 95-01	Bolt M10x40	4
7	590 60 97-01	Support Plate	1

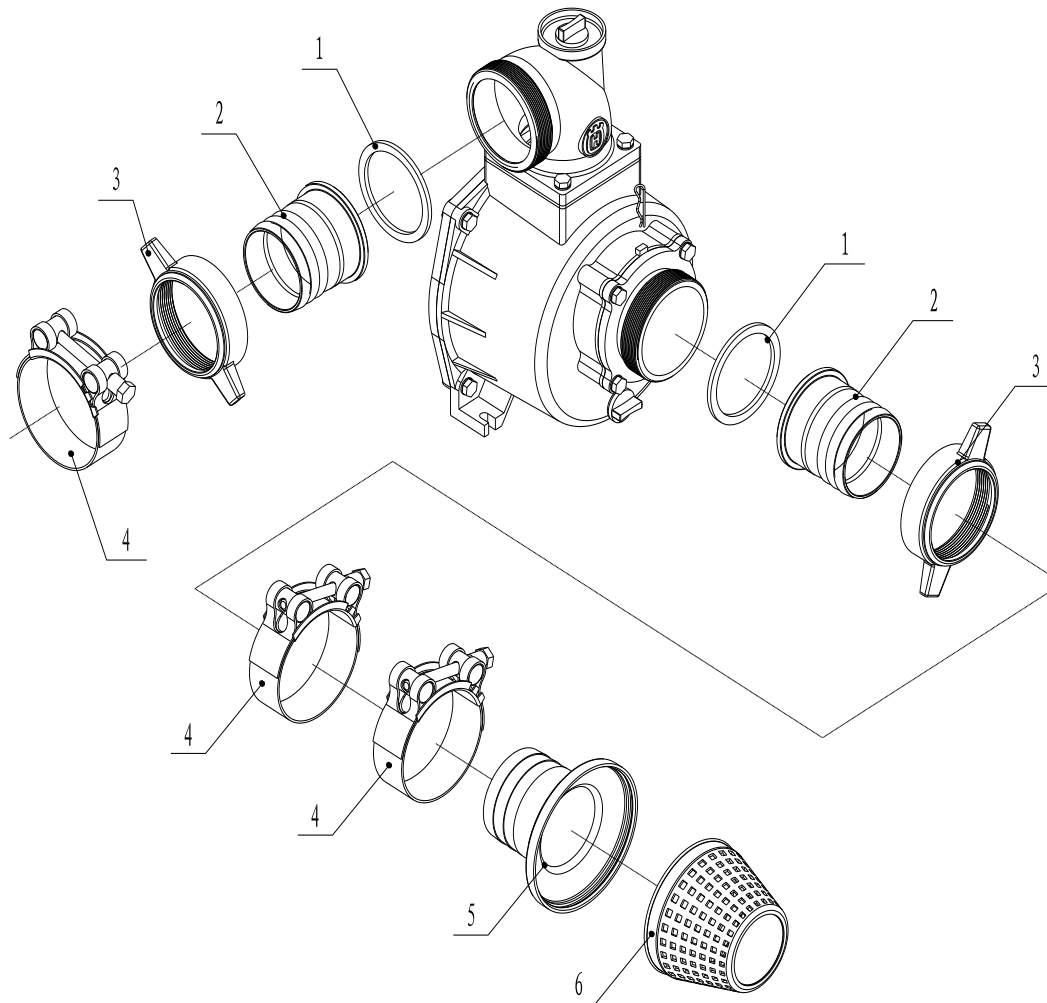
Ref.	Part No	Description	QTY
8	590 60 98-01	Bolt M10x35	2
9	590 61 00-01	Washer	2
10	590 61 02-01	Nut M8	4
11	590 61 04-01	Plate	1
12	590 61 06-01	Gasket	4
13	590 61 07-01	Bolt M6x12	4



**Pump**

Ref.	Part No	Description	QTY
1	590 61 24-01	Cover	1
2	590 61 25-01	Washer	4
3	590 61 26-01	Bolt M8x50	4
4	590 61 27-01	Seal	1
5	590 61 29-01	Impeller	1
6	590 61 30-01	Cover	1
7	590 61 32-01	Seal	1
8	590 61 33-01	Gasket	1
9	590 61 37-01	Outlet Chamber	1
10	590 61 38-01	Washer	14
11	590 61 41-01	Bolt M10x30	14

Ref.	Part No	Description	QTY
12	590 61 44-01	O-Ring	2
13	590 61 46-01	Plug	2
14	590 61 47-01	Pump	1
15	590 61 49-01	O-Ring	1
16	590 61 51-01	Key Flat	1
17	590 61 52-01	Washer	1
18	590 61 53-01	Bolt 7/16-20UNF	1
19	590 61 55-01	Washer	2
20	590 61 56-01	Valve Sleeve	1
21	590 61 57-01	Inlet	1



**Accessories**

Ref.	Part No	Description	QTY
1	590 61 58-01	Seal	2
2	590 82 02-01	Connector	2
3	590 82 04-01	Cover	2

Ref.	Part No	Description	QTY
4	590 61 62-01	Clamp	3
5	590 61 63-01	Cover	1
6	590 61 64-01	Strainer	1