

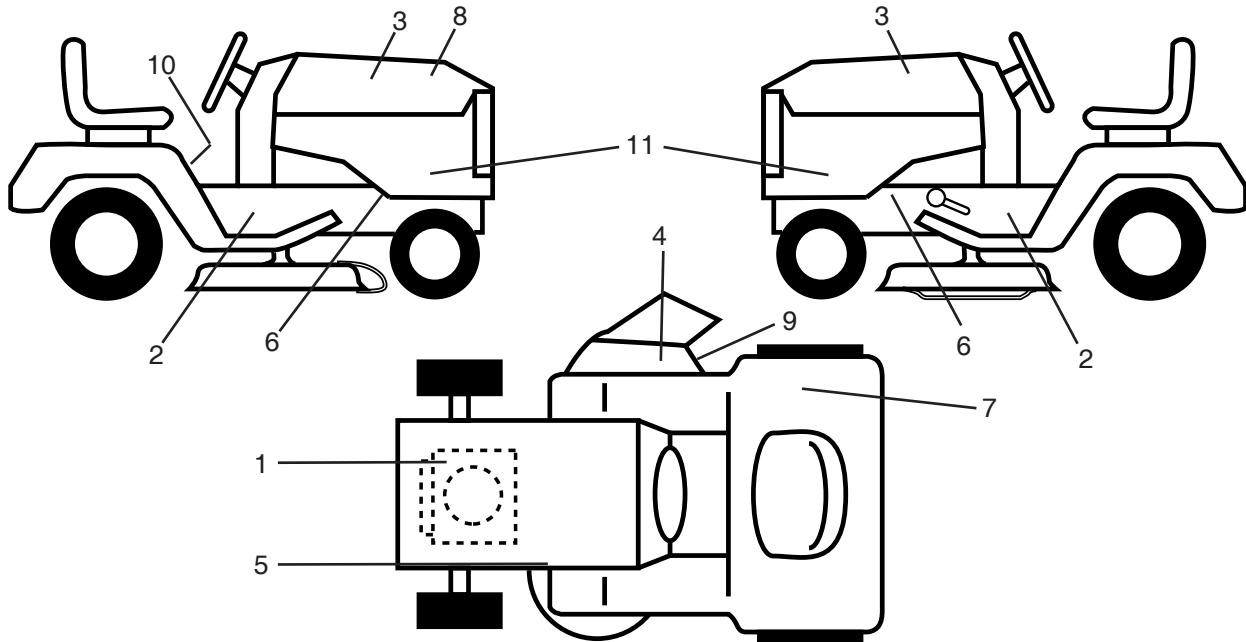
ILLUSTRATED PARTS LIST

MODEL NO. 96041044000

CUSTOMER CATALOG NO. TS 142

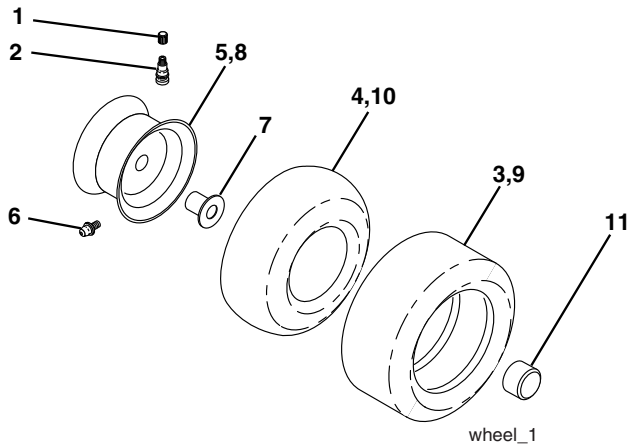
PRODUCT NO. 960 41 04-40

TRACTOR - MODEL NO. TS 142 (96041044000), PRODUCT NO. 960 41 04-40
DECALS 27



KEY NO.	PART NO.	DESCRIPTION	KEY NO.	PART NO.	DESCRIPTION
1	581 57 97-01	Decal, Engine Warning	11	587 40 72-01	Decal, Sidepnl
2	581 57 98-01	Decal, Warning	--	581 72 46-01	Decal, Drawbar Load Limit
3	501 13 14-01	Decal, Husq Logo	--	581 72 48-01	Decal, Bypass Lt Hydro
4	584 90 46-01	Decal, Deck/Deflect. Warning	--	532 43 96-81	Pad, Footrest LH
5	581 58 00-01	Decal, V-Belt Sch.	--	532 43 96-82	Pad, Footrest RH
6	581 57 96-01	Decal, Chassis Hot Muffler	--	114 19 88-49	Manual, Operator's (English/Spanish)
7	598 58 74-01	Decal, Consumpt Mexico	--	114 19 96-32	Manual, Operator's (French)
8	598 71 16-01	Decal, Rpl	--	114 19 92-70	Manual, Operator's (Portuguese)
9	581 57 92-01	Decal, Cutfinger Warning	--	114 19 55-27	Manual, Parts (English)
10	586 04 73-02	Decal, Warning Symbols			

WHEELS & TIRES



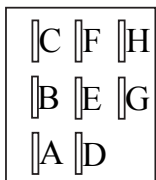
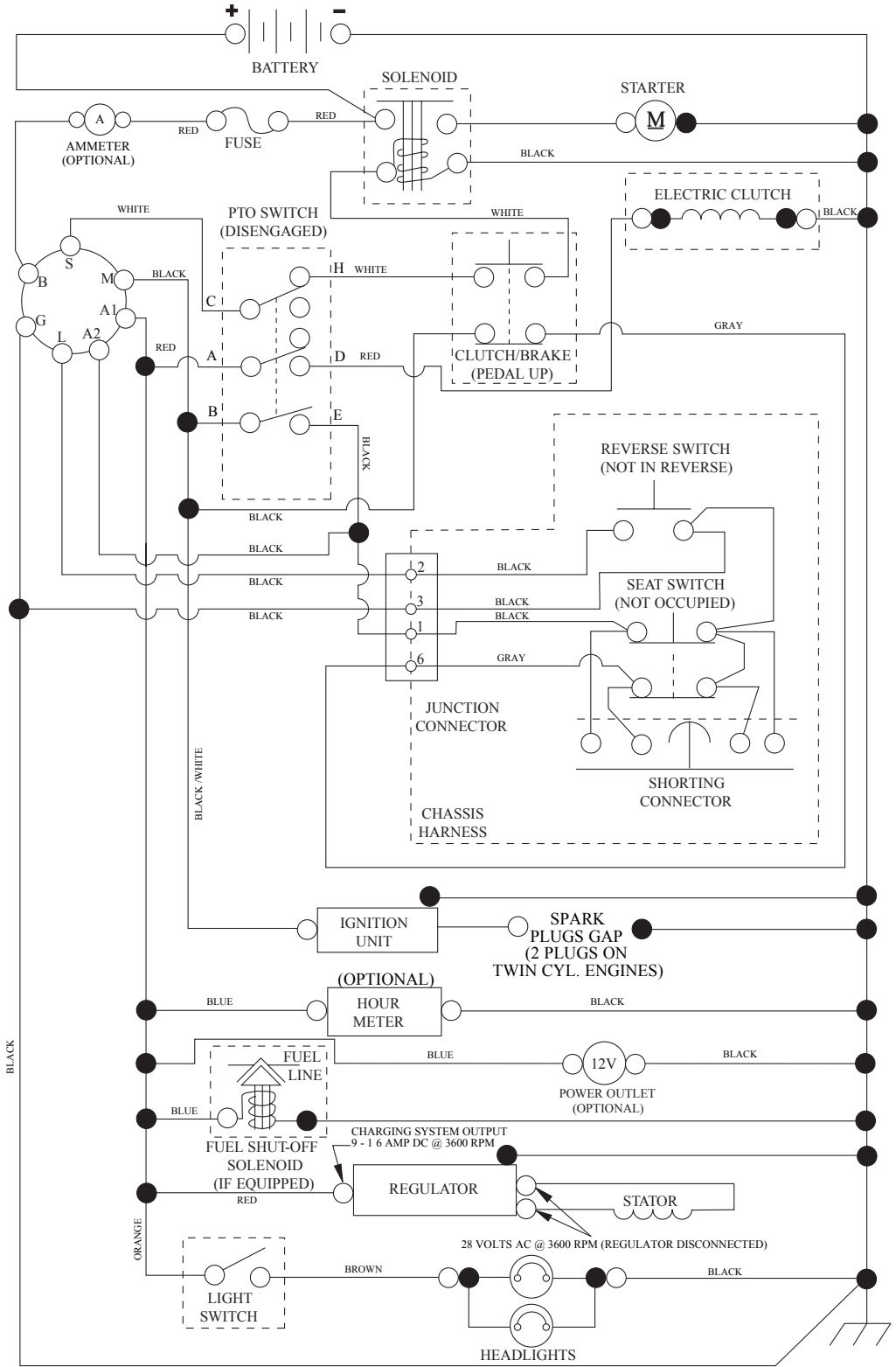
KEY NO.	PART NO.	DESCRIPTION
1	532 05 91-92	Cap Valve Tire
2	532 06 51-39	Stem Valve
3	532 10 62-22	Tire Front 15 x 6-6
4	532 05 99-04	Tube Front (Service Item Only)
5	532 13 83-36	Rim Asm 6" Front Silver Service
6	532 00 02-78	Fitting Grease (Front Wheel Only)
7	532 00 90-40	Bearing Flange (Front Wheel Only)
8	532 13 83-37	Rim Asm 8" Rear Silver Service
9	532 42 05-31	Tire Rear
10	532 00 71-52	Tube Rear (Service Item Only)
11	532 17 50-39	Cap Axle Blk 1 50 x 1 00
--	532 14 43-34	Sealant, Tire (10 oz. tube)

NOTE: All component dimensions given in U.S. inches
 1 inch = 25.4 mm

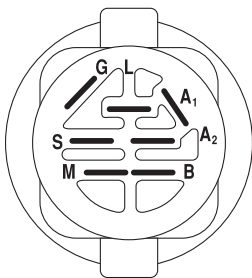
TRACTOR - MODEL NO. TS 142 (96041044000), PRODUCT NO. 960 41 04-40

SCHEMATIC **38**

SCH12

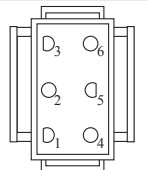


PTO SWITCH
(MATING SIDE)

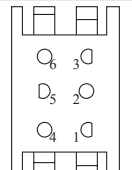


IGNITION SWITCH

POSITION	CIRCUIT	"MAKE"
OFF	M+G+A1	
RUN/OVERRIDE	B+A1	
RUN	B+A1	L+A2
START	B + S + A1	



CHASSIS HARNESS
CONNECTOR
(MATING SIDE)



DASH HARNESS
CONNECTOR

WIRING INSULATED CLIPS
NOTE: IF WIRING INSULATED
CLIPS WERE REMOVED FOR
SERVICING OF UNIT, THEY
SHOULD BE RE-INSTALLED TO
PROPERLY SECURE YOUR
WIRING.

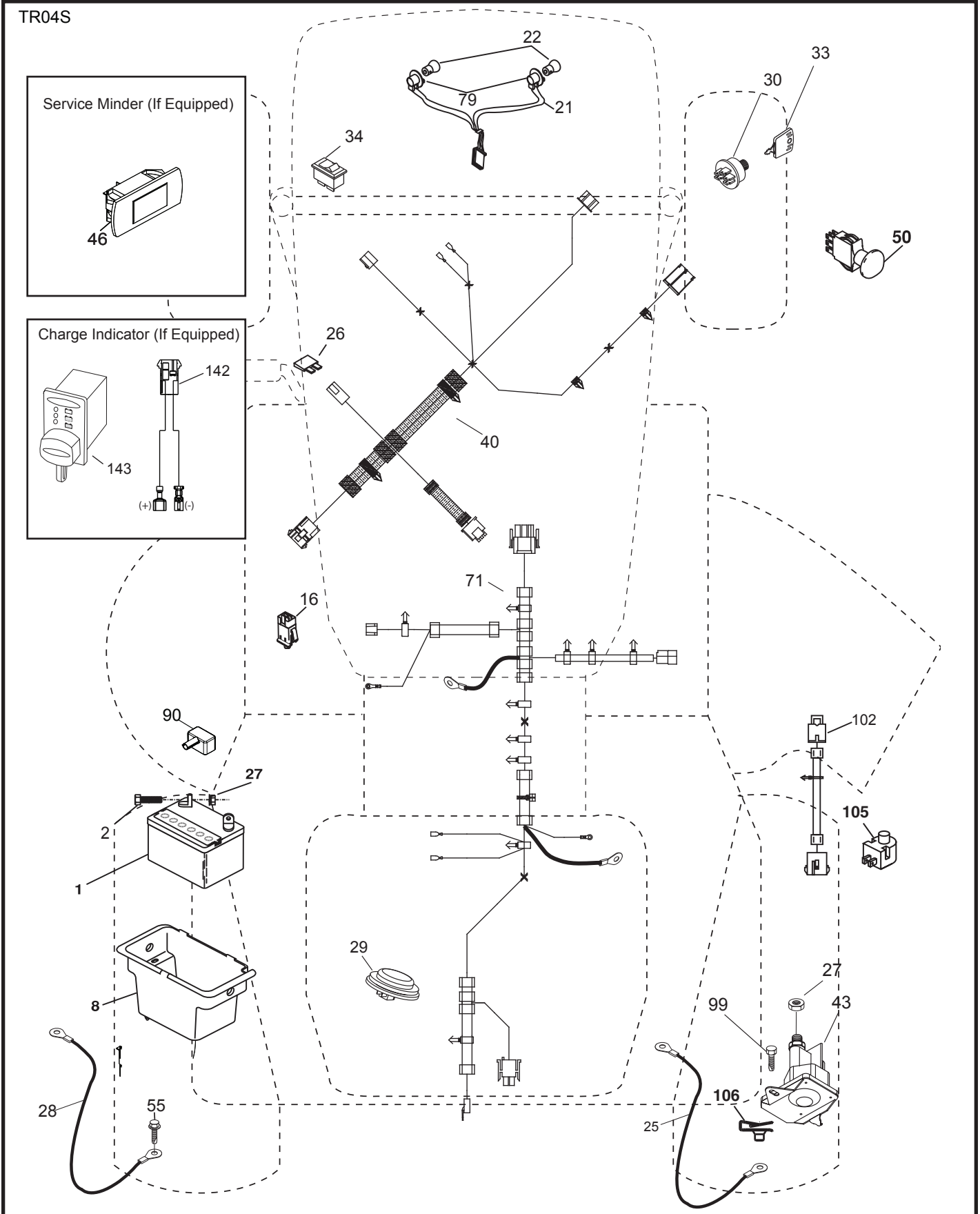


NON-REMOVABLE
CONNECTIONS



REMOVABLE
CONNECTIONS

TRACTOR - MODEL NO. TS 142 (96041044000), PRODUCT NO. 960 41 04-40
ELECTRICAL 32



**TRACTOR - MODEL NO. TS 142 (96041044000), PRODUCT NO. 960 41 04-40
ELECTRICAL 32**

KEY NO.	PART NO.	DESCRIPTION
1	532 16 34-65	Battery
2	874 76 04-12	Bolt Hex Head 1/4-20 x 3/4
8	532 19 32-28	Box Battery
16	532 17 61-38	Switch Interlock Push-In
21	532 40 02-52	Harness Socket Light W/4152J
22	532 00 41-52	Bulb Light
25	581 49 80-01	Cable Starter
26	532 17 51-58	Fuse
27	596 13 36-01	Locknut, Keps, 1/4-20
28	532 42 16-86	Cable, Ground
29	532 40 15-45	Switch, Seat
30	532 19 33-50	Switch, Ign
33	532 41 19-33	Key/Chain
34	532 11 07-12	Switch Light / Reset
40	581 02 32-01	Harness Ign. Dash/Lift
43	582 04 28-02	Solenoid
46	594 91 91-01	Hourmeter, Srvminder, Rect
50	582 10 76-02	Switch PTO
55	817 06 05-12	Screw Thdrol 5/16-18 x 3/4 TYTT
71	501 13 37-01	Harness Ign. Chassis/Lift
79	532 17 52-42	Socket Asm
90	532 43 53-95	Cover Terminal
99	817 67 04-12	Screw Hexwsh
102	532 40 44-54	Harness Pigtail Tex ROS Tufftorq
105	532 40 75-68	Switch Reverse
106	532 17 48-14	Palnut 1/4 Lugs

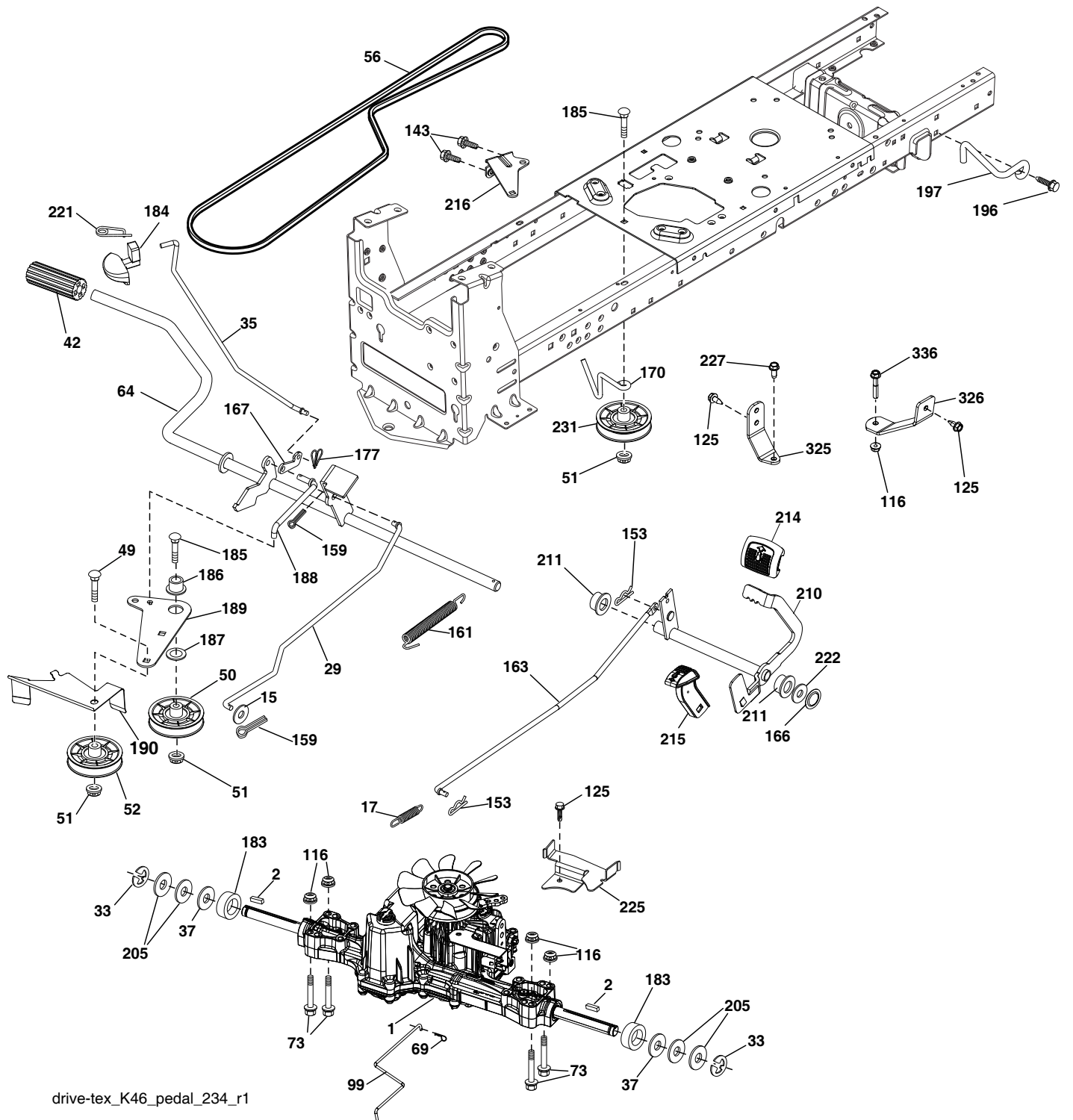
NOTE: All component dimensions given in U.S. inches
1 inch = 25.4 mm

**TRACTOR - MODEL NO. TS 142 (96041044000), PRODUCT NO. 960 41 04-40
CHASSIS AND ENCLOSURES 39**

KEY NO.	PART NO.	DESCRIPTION	KEY NO.	PART NO.	DESCRIPTION
3	581 05 63-01	Logo	189	817 00 05-12	Screw 5/16-18 x 3/4
5	532 43 89-66	Dash, Asm	191	532 41 65-01	Insert Reflective RH
14	532 44 12-67	Hood	194	596 13 57-01	Nut, Lock, Prvl, Torq, 5/16-18 x .68
15	532 44 14-28	Lens LH	196	532 43 96-47	Console Deck Lift
18	532 44 13-68	Grille	202	532 44 13-42	Vent Side Hood RH
25	532 44 14-27	Lens RH	203	532 44 13-43	Vent Side Hood LH
34	580 91 08-01	Plate Engine	204	532 44 13-75	Vent Top Hood
36	817 06 05-12	Screw 5/16-18 x 3/4	205	532 44 13-44	Skirt Side RH
37	532 44 12-06	Fender	206	532 44 13-45	Skirt Side LH
52	596 04 05-01	Nut, Lock, Hex, Prvl, 5/16-18	213	596 03 05-01	Bolt, Hex, Hd, 5/16-18 unc x 3/4
58	532 41 22-80	Drawbar Upper	214	532 19 91-45	Clip Retainer
68	596 03 07-01	Screw, Hexagon, 5/16-18 x 1/2	217	532 40 91-67	Rod Pivot Hood
125	581 68 48-01	Clip Fuel Line	218	532 19 63-95	X-Piece Hood Stop
130	596 32 17-01	Screw, #10 x 0.750, Bos, Thread	228	593 82 40-01	Stud, w/"D" Anti-Rotation
137	532 40 75-90	Bumper Dash	235	596 56 42-01	Spacer, Fender, Clr, Zn
138	532 43 97-47	Cupholder	236	873 93 05-00	Nut Lock 5/16-18 unc
146	581 85 79-01	Bolt	238	532 44 13-74	Trim
150	532 40 75-37	Air Duct	239	532 40 48-83	Clip Tinnerman
151	532 40 78-07	Bracket Pivot	287	817 60 04-06	Screw, Hex, Washhead, 1/4-20 x 3/8
152	532 19 95-35	Shield Browning	297	532 40 66-65	Insert Reflective LH
159	817 00 06-12	Drive, 3/8-16 x 3/4	306	873 90 06-00	Nut Lock FLG 3/8-16 unc
162	596 13 41-01	Screw, Hex, Tap, 1/4-15 x 1/2	375	586 90 82-01	Dash Clip-On Bumper
175	532 19 94-72	Crossmember	376	589 45 87-01	Upper Steeing Mount
176	532 40 07-76	Screw 10-24 x 5/8	377	589 45 53-01	Screw 10 x 1/2
177	532 19 52-28	Bushing Steering	--	597 33 48-01	Bumper
180	532 41 50-63	Chassis			
181	532 43 97-46	Bushing			
182	532 40 71-76	Dash Lower			
183	595 30 57-01	Screw, Hexagon, 5/16-18 x 1-1/4			

NOTE: All component dimensions given in U.S. inches
1 inch = 25.4 mm

TRACTOR - MODEL NO. TS 142 (96041044000), PRODUCT NO. 960 41 04-40
DRIVE 40



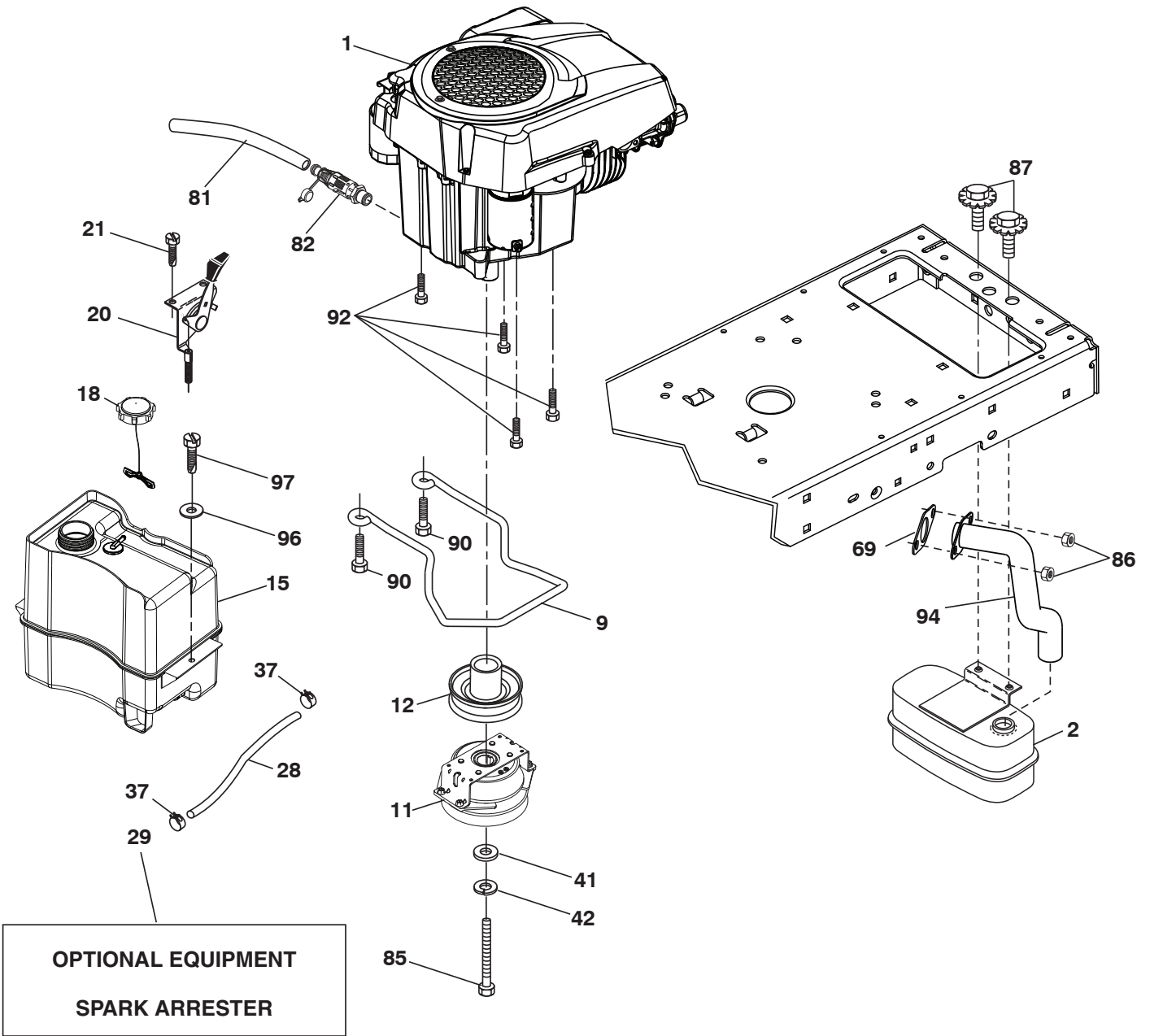
drive-tex_K46_pedal_234_r1

**TRACTOR - MODEL NO. TS 142 (96041044000), PRODUCT NO. 960 41 04-40
DRIVE **40****

KEY NO.	PART NO.	DESCRIPTION	KEY NO.	PART NO.	DESCRIPTION
1	---	Transaxle, TUFFTORQ K46 BT (426120) (Order parts from transaxle manufacturer.)	177	587 22 53-01	Pin Cotter, Locking, Bowtie, 1 In.
2	532 12 35-83	Key	183	532 13 70-57	Spacer Split
15	596 56 53-01	Washer, 3/8 x 0.08in, St, Clr, Zinc	184	532 41 14-84	Handle Parking Brake
17	532 41 36-78	Spring, Brake	185	872 11 06-22	Bolt RDHD 3/8-16 unc x 2-3/4 Gr. 5
29	532 40 38-06	Rod, Brake	186	532 19 43-21	Spacer Retainer
33	812 00 00-01	Ring E	187	596 13 55-01	Washer 13/32 x 2, Clear, Zinc
35	596 87 48-01	Rod, Control, Park, Txlt, Clr, Zinc	188	582 21 70-01	Link Clutch Ground Drive, Long
37	532 18 89-67	Washer Hardened	189	532 19 43-17	Bellcrank Ground Drive
42	532 00 88-83	Cover, Pedal, Blk, Round	190	532 19 43-18	Keeper Bellcrank Ground Drive
49	596 13 62-01	Bolt, Cup Head, 3/8-16 x 3/4	196	817 00 06-16	Screw 3/8-16 x 1
50	532 19 43-27	Pulley Idler Flat	197	585 65 86-02	Link Clutch Anti-Rotation
51	873 90 06-00	Lock Nut 3/8-16	205	532 12 17-48	Washer
52	532 19 43-26	Idler V-Groove	210	532 40 09-80	Rocker Asm. Pedal Control
56	592 85 52-01	Belt, Drive, Tex, K46	211	532 12 01-83	Bearing Nylon
64	532 19 78-65	Shaft Asm. Pedal Brake Control	214	532 42 12-63	Pedal Forward
69	532 42 33-03	Hairpin Soft Zink .059 x 1.125	215	586 60 65-02	Pedal Reverse
73	596 13 65-01	Bolt, Hex, Head, 5/16-18 x 1-1/2	216	532 19 61-31	Bracket Pulley Idler
99	582 40 45-01	Rod Spring Bypass	221	532 40 31-87	Retainer Spring Clip Handle
116	596 13 57-01	Nut, Lock, Prvl, Torq 5/16-18 x .68	222	879 21 20-10	Washer 21/32 x 1-1/4 x 10 Ga.
125	817 00 05-12	Screw 5/16-18 x 3/4	225	532 40 33-19	Keeper Belt Trans.
143	596 03 07-01	Screw, Hexagon, 5/16-18 x 1/2	227	596 13 59-01	Bolt, Hex, 5/16-18 x 3/4, Clr, Znc
153	532 00 44-97	Retainer, Spring 1", Zinc/Cad	231	532 40 72-87	Idler, V-Groove, 1.688" Offset
159	596 02 95-01	Pin, Cotter, 1/8 Dia x 3/4	325	586 00 11-02	Brkt, Trqstp, Lt, K46/57, 18" Db, RH
161	532 10 57-09	Spring, Return, Clutch	326	586 43 12-02	Brkt, Trqstp, Lt, K46/57, 18" Db, LH
163	593 86 10-01	Rod, Control, K46/K57R	336	587 25 96-02	Bolt 5/16 - 18 x 1-3/4 Flanged
166	532 42 91-64	Nut Push			
167	532 40 52-57	Latch Brake Parking			
170	532 41 34-30	Keeper, Idler, Centerspan 1.688"			

NOTE: All component dimensions given in U.S. inches
1 inch = 25.4 mm

TRACTOR - MODEL NO. TS 142 (96041044000), PRODUCT NO. 960 41 04-40
ENGINE 24



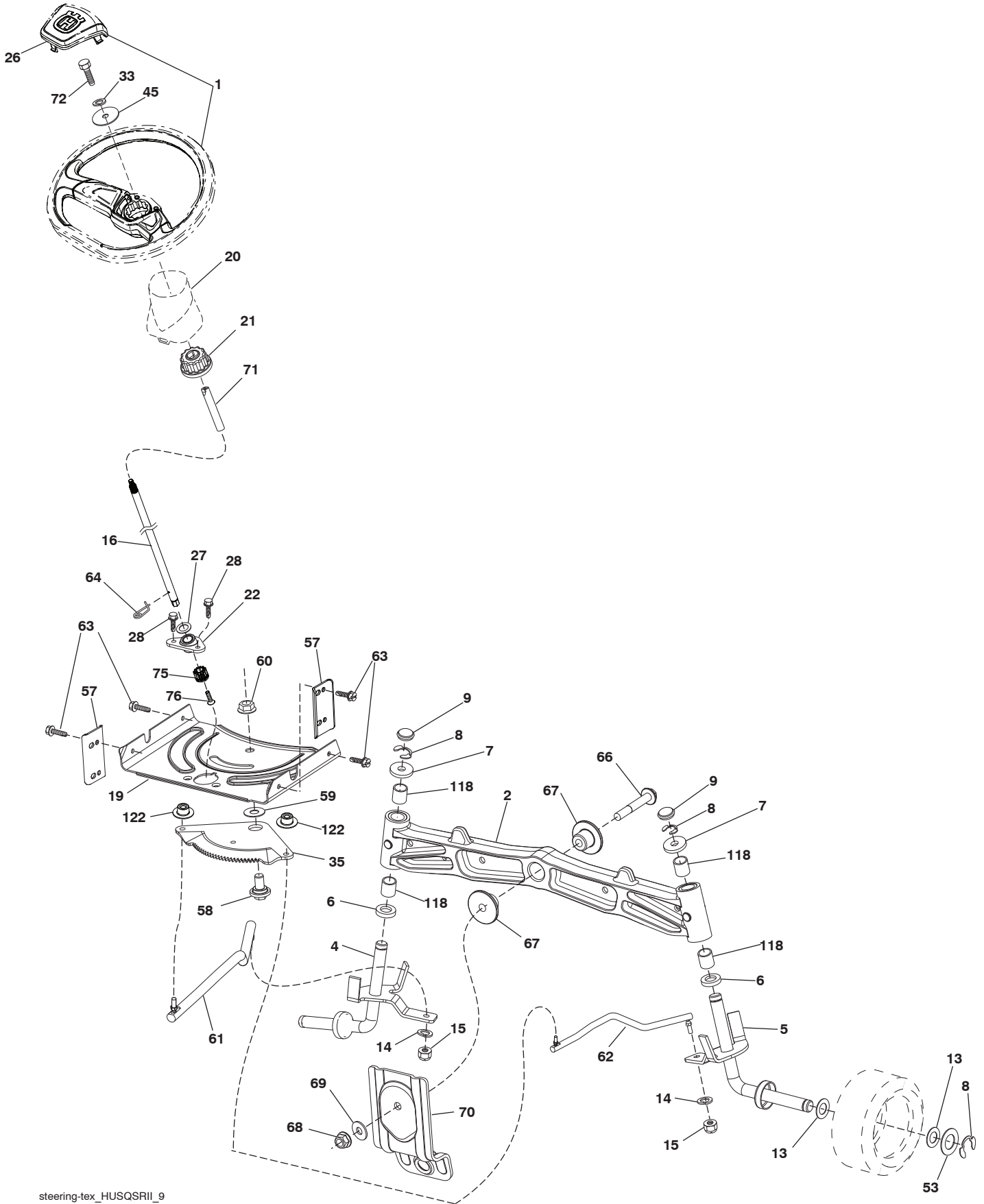
engine-tex_loncin_16

**TRACTOR - MODEL NO. TS 142 (96041044000), PRODUCT NO. 960 41 04-40
ENGINE 24**

KEY NO.	PART NO.	DESCRIPTION
1	598 69 39-01	Engine Husqvarna Model No. HV 608CC. Engine IPL available separately.
2	590 64 53-01	Muffler, Asm, Single
9	501 83 26-02	Keeper Belt Engine
11	587 24 15-01	Clutch Electric
12	532 40 50-97	Pulley Engine
15	581 28 99-01	Tank Fuel 1.5
18	532 43 02-20	Cap Fuel
20	532 18 38-97	Control Throttle
21	596 32 17-01	Screw, #10 x 0.750, Bos, Thread
28	532 13 70-40	Fuel Line
29	532 13 71-80	Spark Arrester Kit
37	532 12 34-87	Clamp Hose
41	532 12 61-97	Washer 1-1/2 OD. x 15/32 ID x 250
42	596 23 89-01	Washer, 7/16 In, Clr, Zn
69	590 86 36-01	Gasket, Exhaust, Loncin, 608
81	532 14 84-56	Tube, Oil Drain
82	532 42 82-87	Valve, Oil Drain, LC, Fastex, Itw
85	581 33 28-04	Bolt 7/16-20 x 3.5 Gr. 5
86	532 18 43-62	Nut Hex Flange Toplock M8-1.25
87	532 17 18-77	Bolt 5/16-18 unc x 3/4 w/Sems
90	817 00 06-16	Screw 3/8-16 x 1
92	817 12 06-16	Screw 3/8-16 x 1
94	590 86 48-01	Tube, Exhaust, Loncin.608, Trctr
96	596 13 53-01	Washer, Plain, 9/32 x 7/8, Clr, Zn
97	817 67 04-12	Screw 1/4-20 x 3/4

NOTE: All component dimensions given in U.S. inches
1 inch = 25.4 mm

TRACTOR - MODEL NO. TS 142 (96041044000), PRODUCT NO. 960 41 04-40
STEERING ASSEMBLY [41]



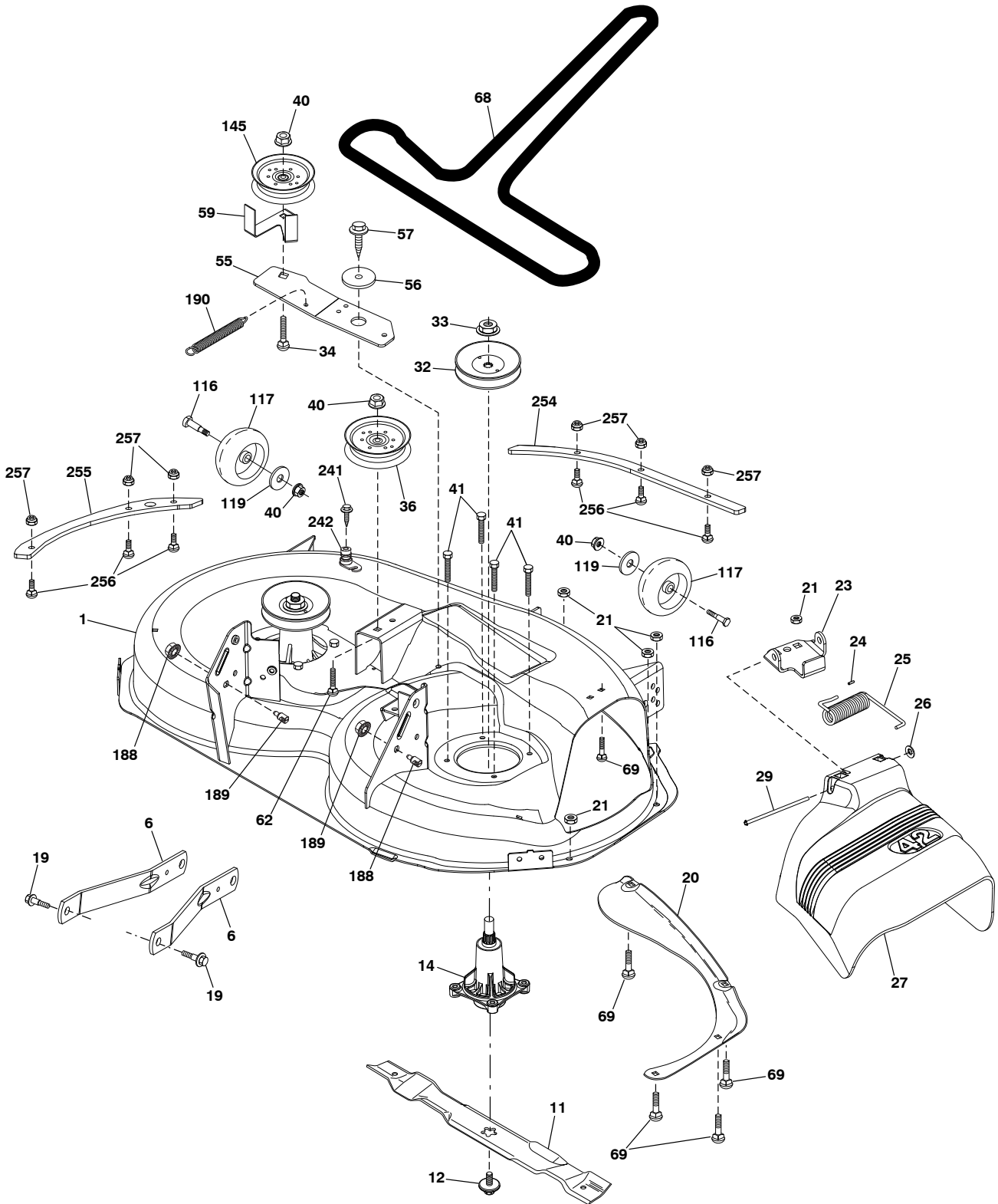
steering-tex_HUSQSR11_9

**TRACTOR - MODEL NO. TS 142 (96041044000), PRODUCT NO. 960 41 04-40
STEERING ASSEMBLY **41****

KEY NO.	PART NO.	DESCRIPTION
1	597 86 61-01	Kit (Includes Steering Cap)
2	532 41 35-91	Axle Asm., Front
4	532 40 30-87	Spindle Asm., LH
5	532 40 30-88	Spindle Asm., RH
6	532 00 62-66	Washer, Thrust, .75 x 1.230
7	532 12 17-48	Washer 25/32 x 1-5/8 x 16 Ga.
8	812 00 00-29	Ring, Klip #T5304-75
9	532 12 12-32	Cap, Spindle
13	532 12 17-49	Washer 25/32 x 1-1/4 x 16 Ga.
14	596 23 87-01	Washer, Spring, Lock, 381ID x .680
15	873 54 06-00	Nut, Crown Lock 3/8-24 unf
16	585 86 92-02	Shaft Steering
19	532 19 47-29	Plate Steering
20	532 44 14-25	Boot, Steering
21	532 18 67-37	Adapter, Wheel Steering
22	585 02 98-02	Bearing
26	594 94 91-01	Wheel Steering, Cap
27	596 93 34-01	Washer, Plain
28	817 00 06-12	Screw 3/8-16 x 3/4
33	539 99 01-87	Washer Lock 5/16
35	532 19 47-32	Gear, Sector Plate
45	596 04 00-01	Washer 11/32 x 2-3/8", Clr, Zn
53	532 18 89-67	Washer Hardened .793 x 1.637 x .060
57	532 40 74-65	Bracket Upstop
58	532 19 47-47	Bolt Shoulder Sector Pivot CFM
59	532 19 47-48	Washer Thrust Sector Steering
60	873 97 10-00	Nut Flange Lock 5/8-11
61	597 04 78-02	Draglink, LH
62	597 04 79-02	Draglink, RH
63	817 00 05-12	Screw 5/16-18 x 3/4
64	532 19 98-49	Retainer Clip Spring Steering
66	871 02 07-48	Bolt Hex Fghd 7/16-14 x 3 Serr
67	532 19 47-37	Bushing PM Front Axle
68	873 90 07-00	Nut Lock Flange 7/16-14 Gr. 5
69	532 19 91-62	Washer 1.5 x .505 x .118
70	585 33 88-01	Bracket Deck Susp. Front
71	532 19 07-52	Shaft Extension Steering
72	596 03 97-01	Bolt, Hex, Head, 5/16-18 unc x 4", Gr 5
75	580 68 37-01	Pinion
76	580 68 36-01	Screw
118	532 40 60-13	Bushing
122	532 44 49-62	Cap Gear Sector

NOTE: All component dimensions given in U.S. inches
1 inch = 25.4 mm

TRACTOR - MODEL NO. TS 142 (96041044000), PRODUCT NO. 960 41 04-40
MOWER DECK 44



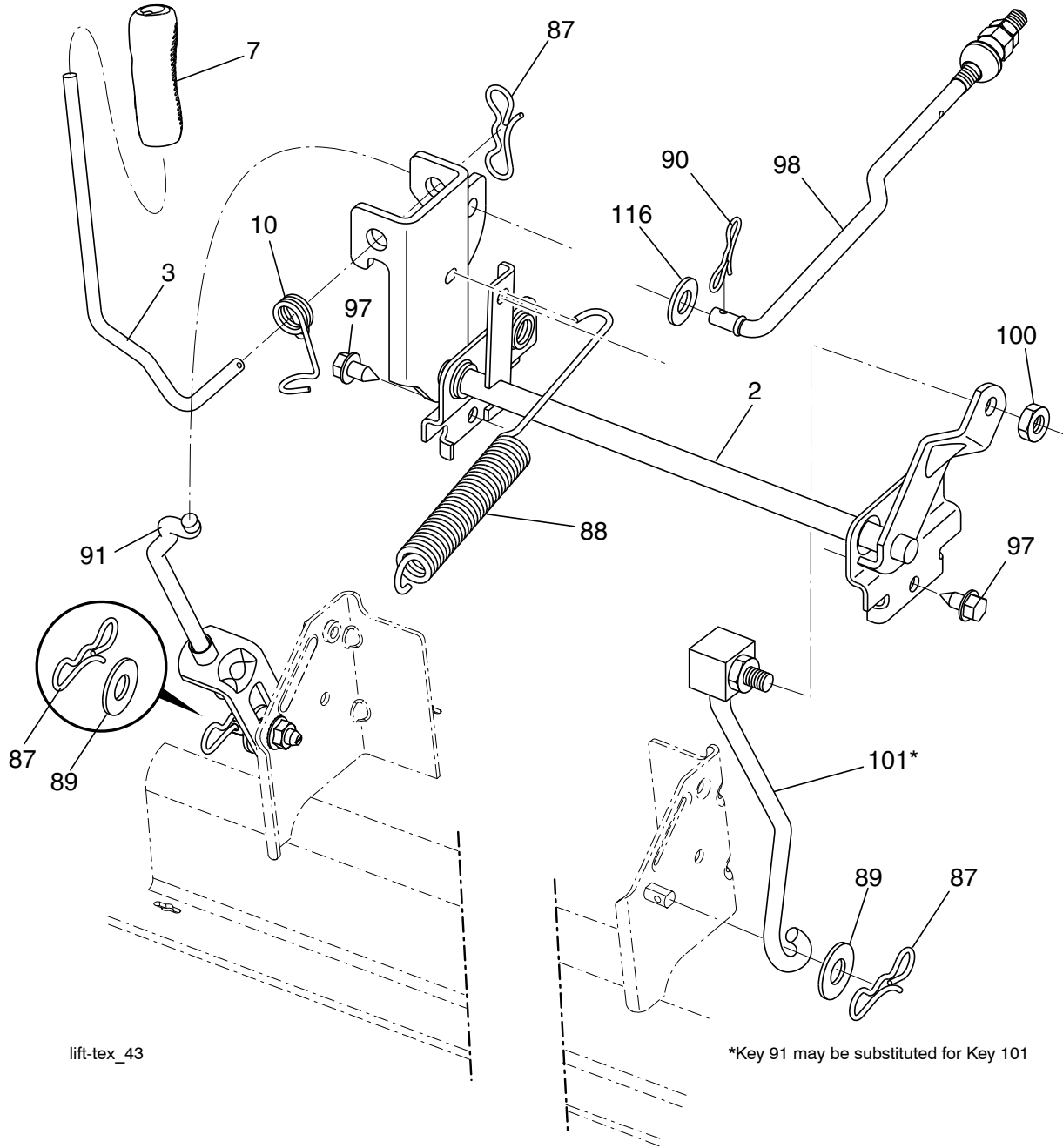
42_D_elec-tex_46_r1

TRACTOR - MODEL NO. TS 142 (96041044000), PRODUCT NO. 960 41 04-40
MOWER DECK 44

KEY NO.	PART NO.	DESCRIPTION
1	583 93 50-01	Kit, SVC, Weldment
6	532 19 51-86	Arm Susp. Rear
11	532 13 89-71	Blade Mower 42" Hi-Lift (for bagging and discharging)
12	584 30 93-01	Screw 7/16-20 x 1 Hex Head
14	587 81 97-01	Kit, Mandrel, Nongreaseable, Tall (includes mandrel asm. and bolts)
19	532 19 65-39	Bolt, Shoulder
20	532 15 97-70	Baffle, Vortex
21	596 04 05-01	Nut, Lock, Hex, Prvl, 5/16-18
23	532 19 25-57	Bracket, Deflector Mower 42"
24	532 10 53-04	Cap, Sleeve 80 x 112 Blk Mower
25	532 19 70-26	Spring, Torsion, Deflector
26	532 11 04-52	Nut, Push Phos & Oil
27	532 40 30-04	Shield, Deflector 42" Blk
29	595 29 70-01	Rod, Hinge
32	532 15 35-35	Pulley, Mandrel
33	596 13 48-01	Nut, Hex, 9/16-18 x 1.010
34	596 13 61-01	Bolt, Cup Head, 3/8-16 x 1-1/2"
36	532 19 73-79	Pulley Idler Flat
40	873 90 06-00	Nut Lock 3/8-16
41	584 95 39-01	Bolt Hex Wshr
55	532 43 71-10	Arm, Idler
56	532 19 90-92	Spacer, Retainer
57	817 00 06-16	Screw 3/8-16 x 1
59	532 14 10-43	Guard TUV Idler
62	596 13 63-01	Bolt, Cup Head, 3/8-16 x 2
68	532 14 49-59	V-Belt, 42" Mower
69	596 13 64-01	Bolt, Cup Head, 5/16-18 x 5/8
116	596 43 44-02	Bolt, Shldr, 2.41 x 1.66 x .5"Clr, Zn
117	589 52 74-01	Wheel, Gauge
119	596 13 49-01	Washer, Plain, 3/8 x 7/8
145	532 19 31-97	Pulley, Idler, Flat
188	532 19 51-61	Stud Fastner W/D Anti-Rotation
189	596 13 57-01	Nut, Lock, Prvl, Torq, 5/16-18 x .68
190	532 19 72-51	Spring Mower Drive
241	532 15 29-27	Screw, TT, #10-32.5, 3/8, Flange
242	532 41 55-98	Port, Washout
254	585 31 68-05	Plate, Reinforc, Frt, 42"
255	585 31 70-05	Plate, Reinforc, 42"
256	592 80 78-01	Bolt, 1/4-20 x 1", Zn, Square Neck
257	873 90 04-00	Nut, Hex, Flange, 1/4-20 Unc
--	532 41 64-05	Coupling
--	589 88 69-01	Deck SVC 42B

NOTE: All component dimensions given in U.S. inches
1 inch = 25.4 mm

TRACTOR - MODEL NO. TS 142 (96041044000), PRODUCT NO. 960 41 04-40
MOWER LIFT 45

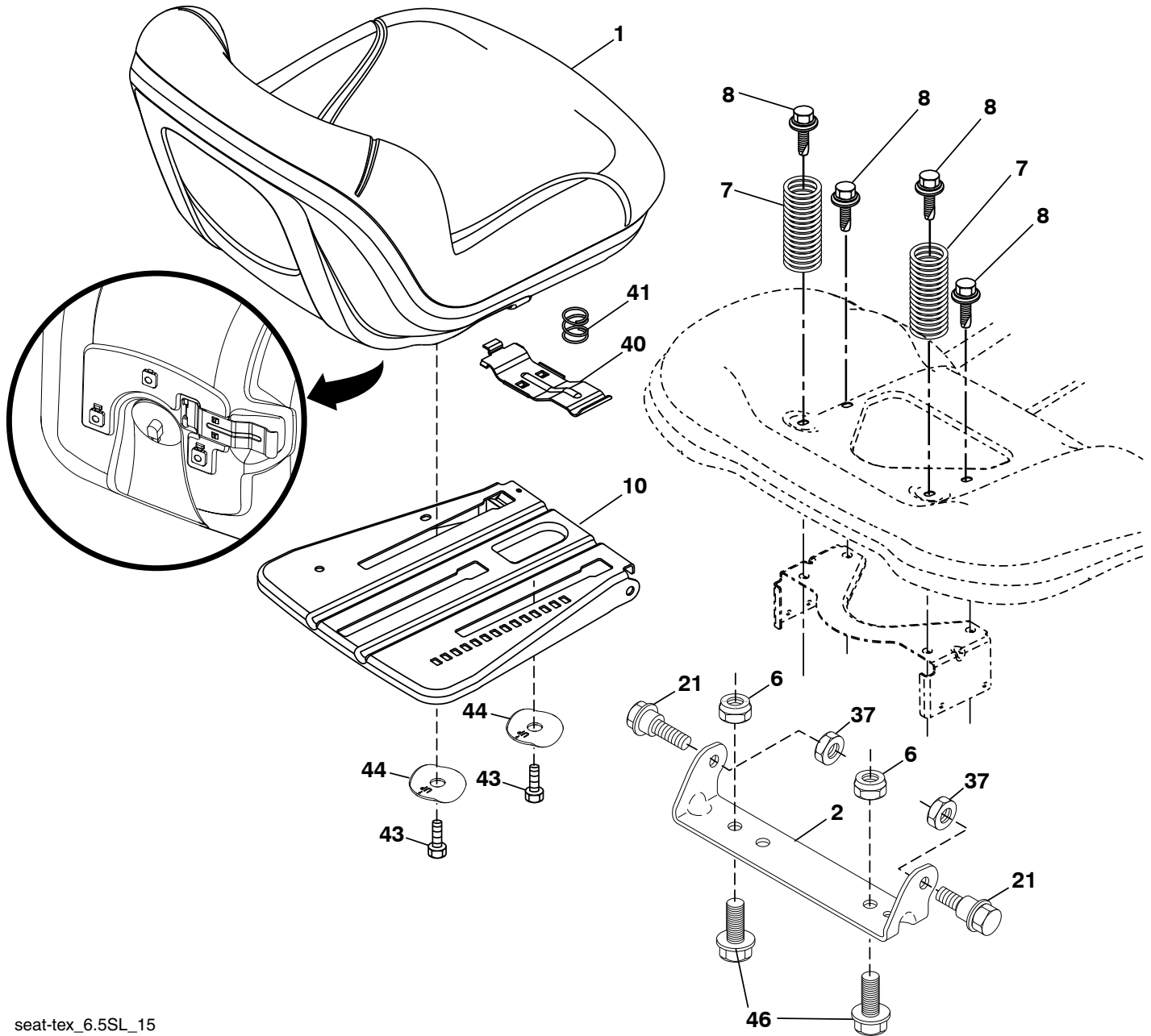


KEY NO.	PART NO.	DESCRIPTION
2	532 42 20-27	Shaft Asm., Lift
3	594 01 80-01	Lever, Lift, Handle
7	580 96 23-01	Grip, Lever
10	532 19 63-14	Spring Torsion
87	532 19 42-09	Pin Cotter 7/16 Bow Tie Lock
88	532 41 07-10	Spring Lift Assist
89	819 19 19-12	Washer Clear Zinc
90	532 19 42-08	Pin Cotter 5/16 Bow Tie Lock
91	589 46 48-03	Link, Asm, Lift, Rear 10.540

KEY NO.	PART NO.	DESCRIPTION
97	817 00 06-12	Screw Hex WSH THDR 3/8-16 x 3/4
98	532 19 52-70	Link Lift Susp. Front Mower
100	595 30 59-01	Nut, Hex, Locknut, 3/8-16
101	532 40 70-03	Link Asm. Lift Fxd
116	819 15 15-16	Washer 15/32 x 15/16 x 16 Ga.

NOTE: All component dimensions given in U.S. inches
 1 inch = 25.4 mm

**TRACTOR - MODEL NO. TS 142 (96041044000), PRODUCT NO. 960 41 04-40
SEAT ASSEMBLY 42**



seat-tex_6.5SL_15

KEY NO.	PART NO.	DESCRIPTION
1	532 43 98-22	Seat
2	532 18 01-66	Bracket Pivot Fender
6	873 80 06-00	Nut, Lock w/Ins. 3/8-16 unc
7	589 48 35-01	Spring, Seat Cprsn
8	532 17 18-77	Bolt 5/16-18 unc x 3/4 w/Sems
10	596 65 74-02	Plate, Seat, Slide, 3 Pt, MS431
21	587 90 78-01	Bolt, Shoulder 5/16-18 x 5/8
37	596 58 37-02	Nut, W/Nonmetal, Ins, Blk, Zinc

KEY NO.	PART NO.	DESCRIPTION
40	532 19 76-61	Handle Slide
41	532 19 82-00	Spring Latch Seat
43	874 76 06-12	Bolt Fin Hex 3/8-16 unc x 3/4
44	501 05 18-01	Washer Winged 3/8 ID 1.5 OD
46	588 09 04-01	Bolt 3/8-16 x 1, 1.25 OD Wshr

NOTE: All component dimensions given in U.S. inches
1 inch = 25.4 mm

