

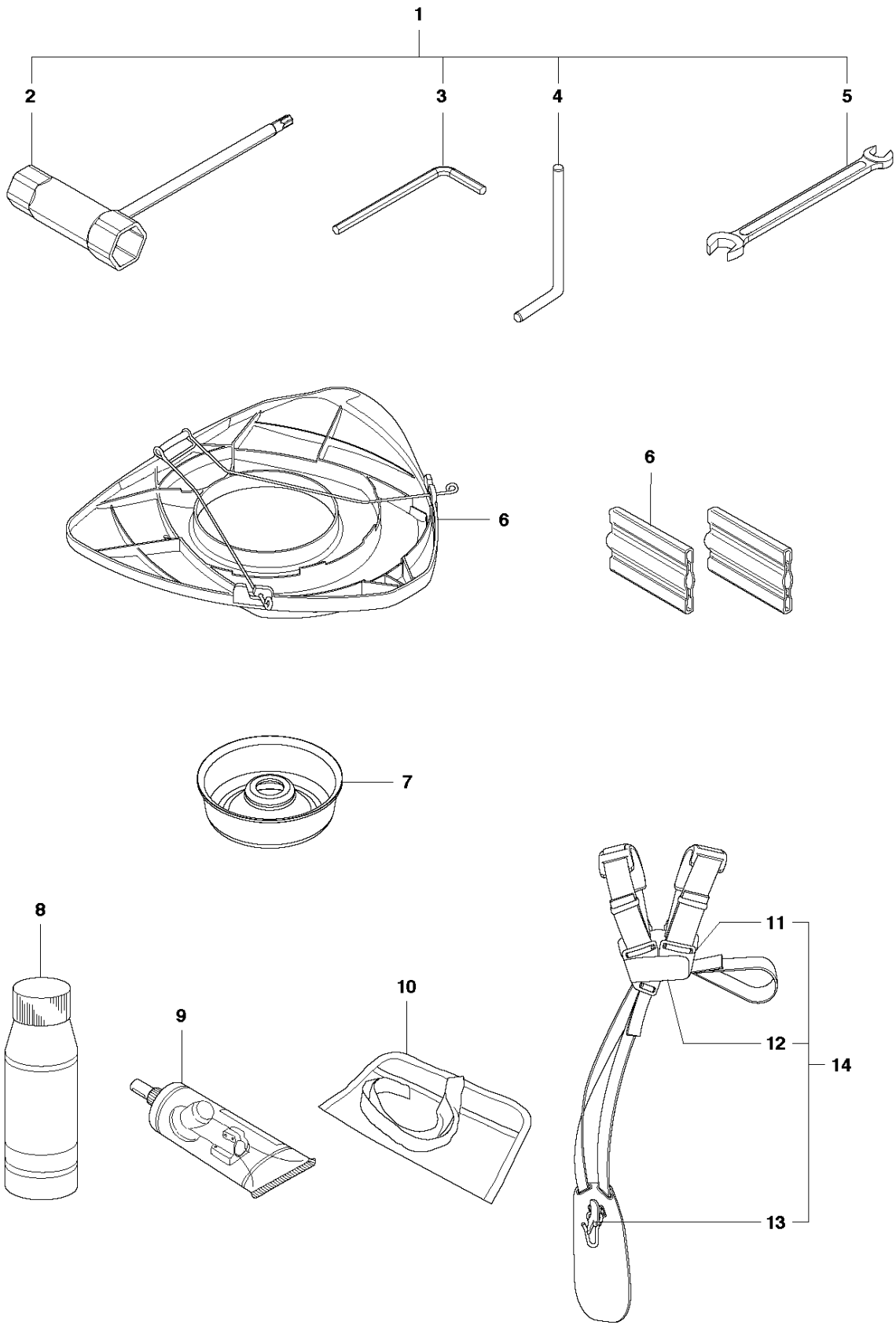


SPARE PARTS LIST

BRUSHCUTTERS/CLEARING SAWS

236 R, 2015-02

R 236R
ACCESSORIES

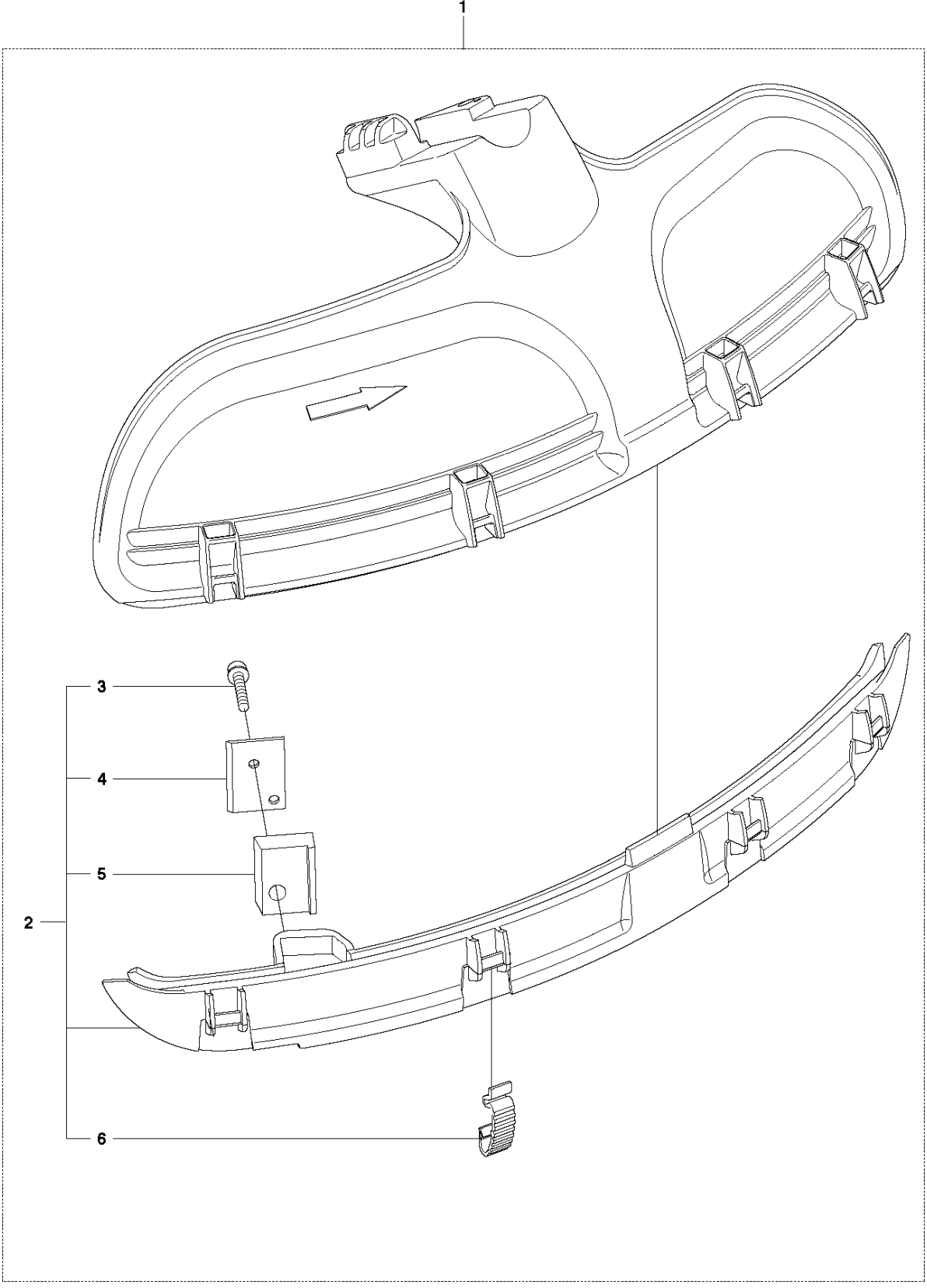


ACCESSORIES

236 R, 2015-02

Ref	Part No	Description	Remark	QTY	KIT
1	529 26 51-01	TOOL SET		1	
2	529 26 55-01	WRENCH		1	1
3	505 31 19-01	WRENCH		1	1
4	505 31 20-01	BAR		1	1
5	506 61 50-01	SPANNER		1	1
6	537 12 99-04	BAR GUARD	for South America	2	
6	544 35 91-01	TRANSPORT GUARD		1	
7	528 81 81-01	SUPPORT CUP		1	
8	531 00 92-48	FILTER OIL		1	
9	503 97 64-01	GREASE		1	
10	501 19 22-01	TOOL CASING		1	
11	503 73 40-01	FRONT PIECE		1	14
12	503 73 41-02	FRONT PIECE		1	14
13	502 02 28-02	WELT HOOK		1	14
14	537 21 63-01	HARNESS		1	

S 236R
ACCESSORIES

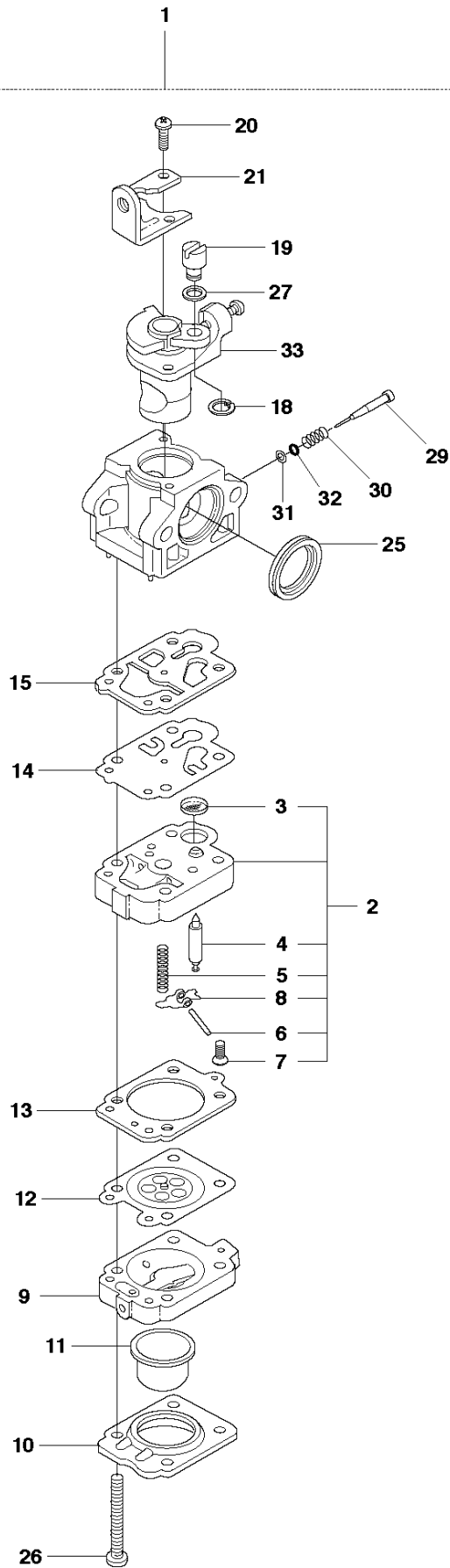


ACCESSORIES

236 R, 2015-02

Ref	Part No	Description	Remark	QTY	KIT
1	537 33 16-03	SPLASH GUARD		1	
2	537 39 63-03	SPLASH GUARD		1	1
3	503 21 68-25	SCREW IHSCFT		1	1,2
4	503 79 88-01	BLADE		1	1,2
5	544 12 45-01	RETAINER		1	1,2
6	537 38 72-01	SNAP		4	1,2

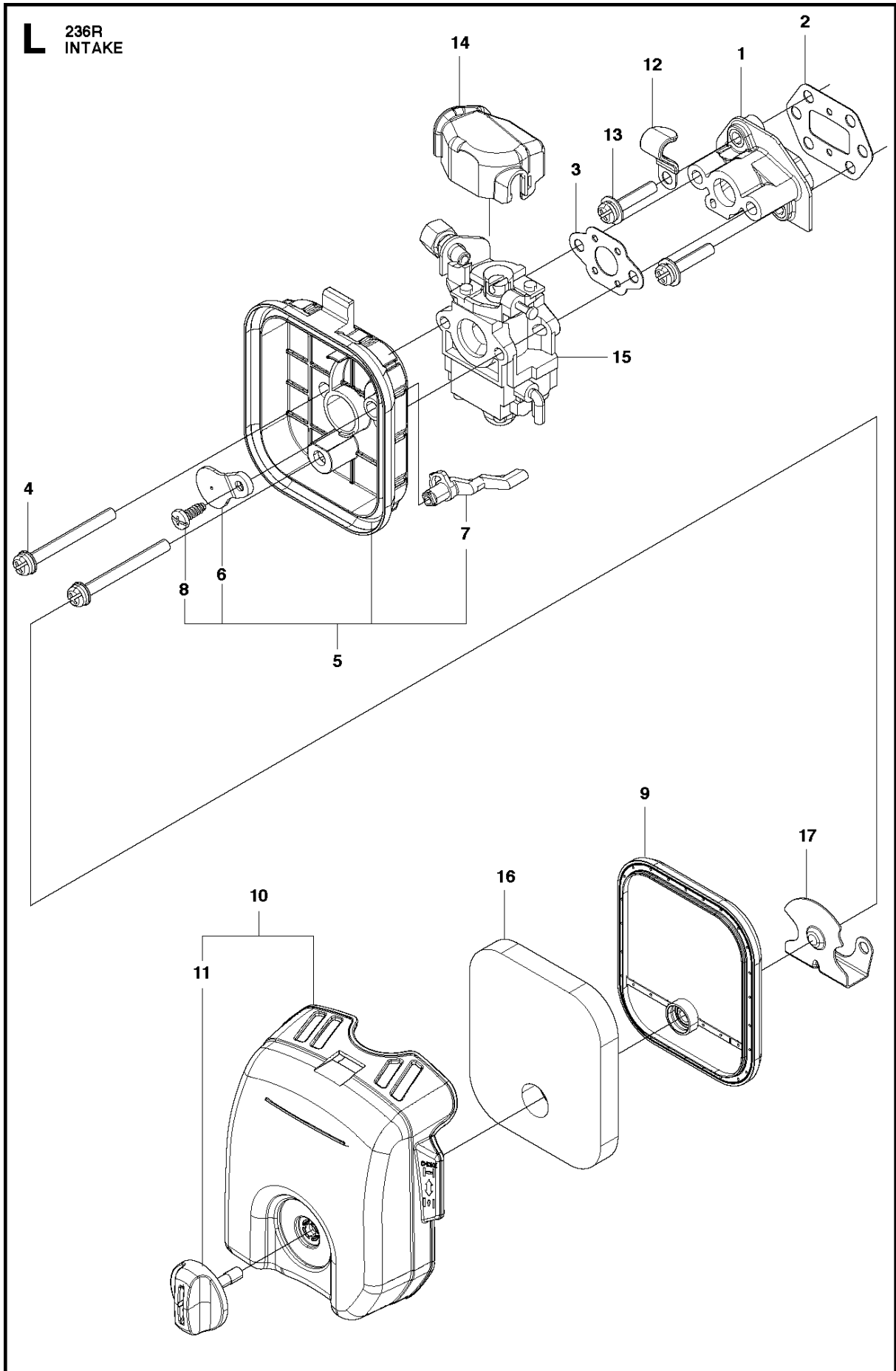
Q 263R
CARBURETTOR



CARBURETOR

236 R, 2015-02

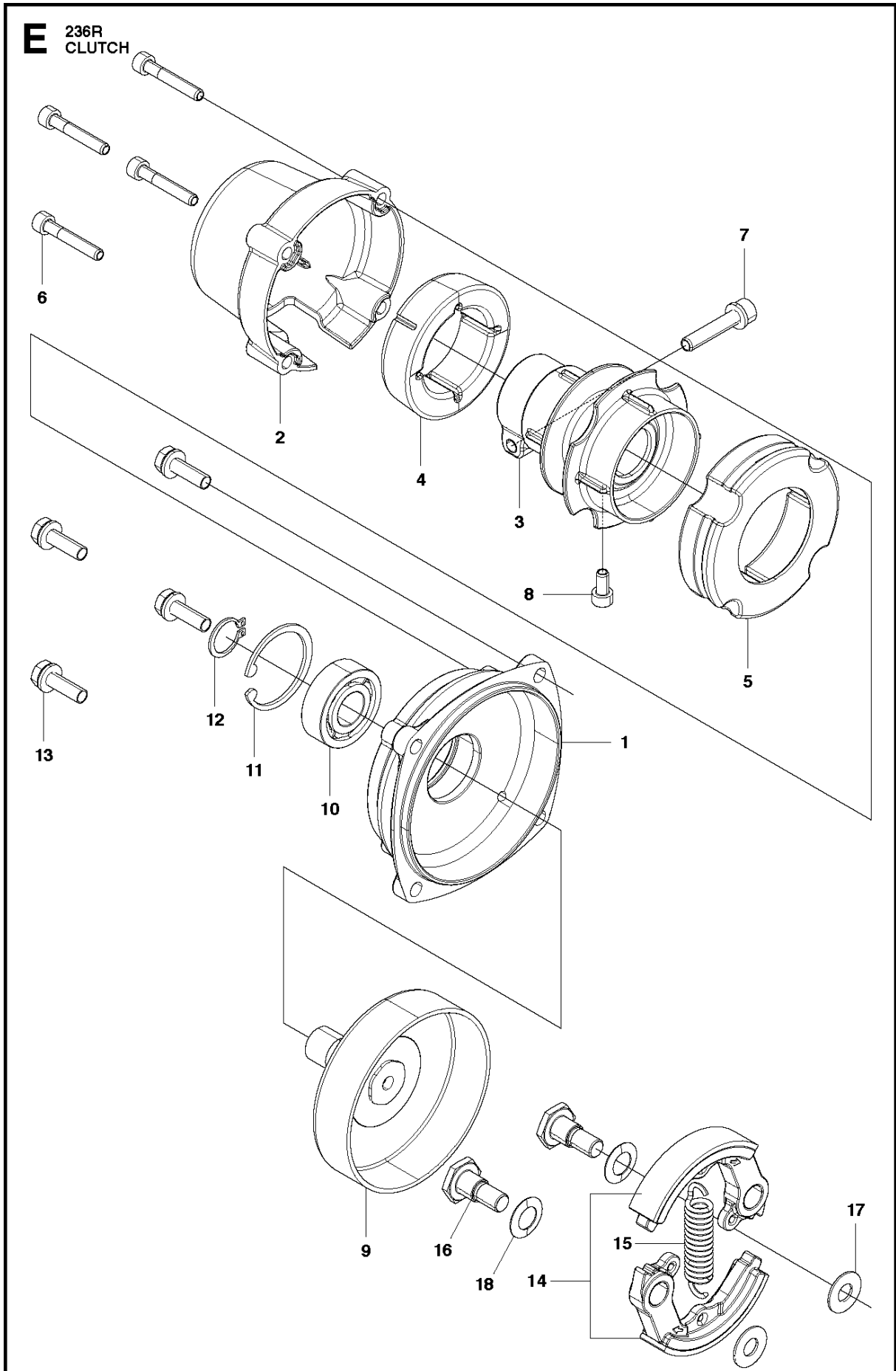
Ref	Part No	Description	Remark	QTY	KIT
1	587 10 67-01	CARBURETTOR		1	
2	513 41 08-01	BODY-A		1	1,2
3	520 95 70-01	SCREEN		1	1,2
4	521 08 54-01	VALVE.INLET		1	1,2
5	513 41 07-01	SPRING		1	1,2
6	520 97 74-01	PIN		1	1,2
7	505 30 61-01	SCREW		1	1,2
8	520 97 72-01	LEVER		1	1,2
9	506 74 09-01	BODY		1	1
10	506 74 10-01	COVER		1	1
11	505 30 67-01	PUMP		1	1
12	505 30 68-01	DIAPHRAGM		1	1
13	506 74 08-01	GASKET		1	1
14	506 68 98-01	DIAPHRAGM		1	1
15	506 74 51-01	GASKET		1	1
18	506 73 86-01	RING		1	1
19	506 74 12-01	SWIVEL		1	1
20	505 30 79-01	SCREW		2	1
21	506 74 60-01	BRACKET		1	1
25	505 30 84-01	RING		1	1
26	506 74 11-01	SCREW		4	1
27	506 74 61-01	WASHER		1	1
29	512 37 34-01	NEEDLE		1	1
30	513 30 15-01	SPRING		1	1
31	513 43 78-01	O-RING		1	1
32	513 43 77-01	WASHER		1	1
33	587 64 29-01	VALVE		1	1



CARBURETOR & AIR FILTER

236 R, 2015-02

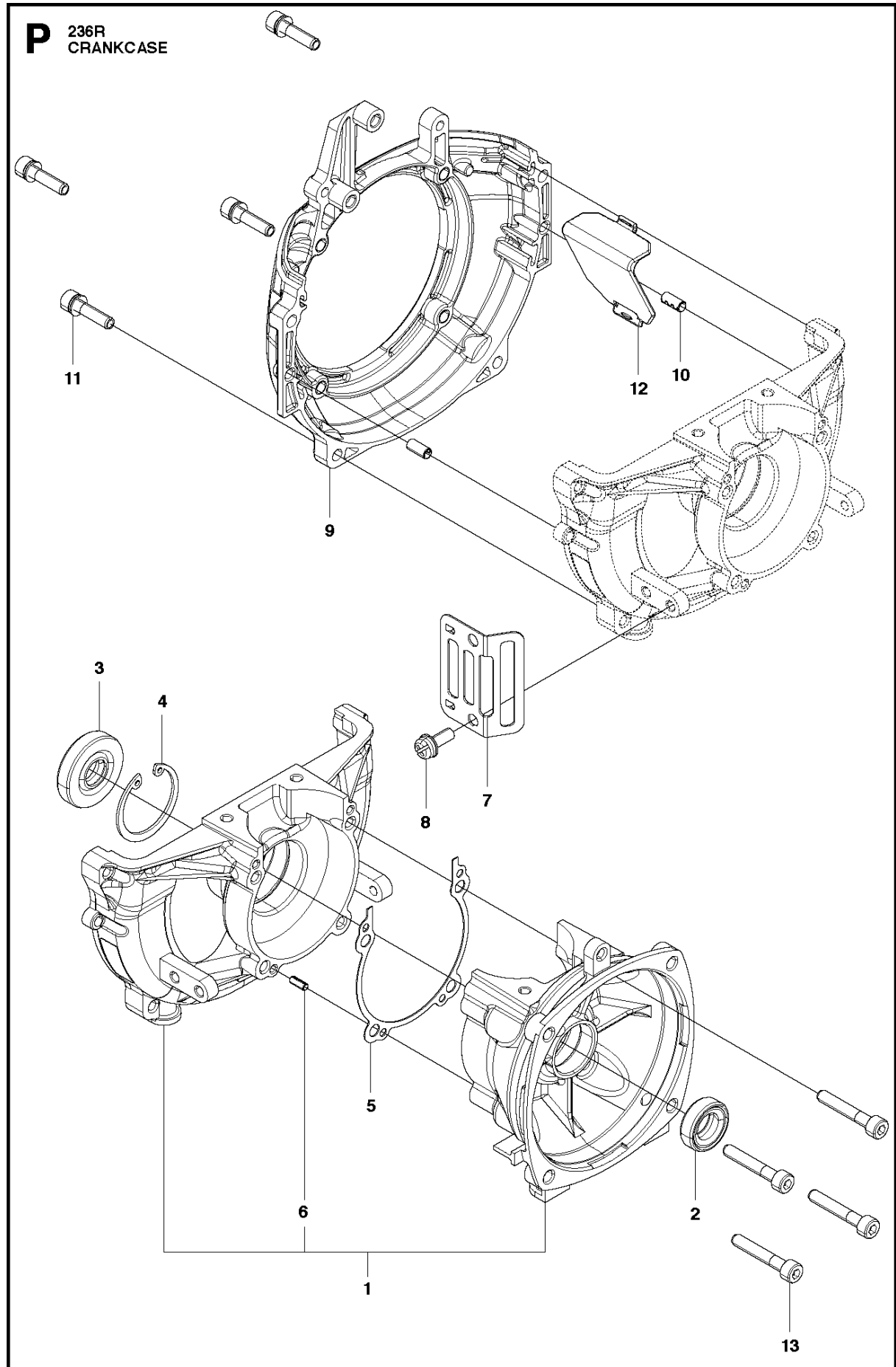
Ref	Part No	Description	Remark	QTY	KIT
1	526 52 05-01	INSULATOR		1	
2	505 30 49-01	GASKET.INSU		1	
3	505 30 50-01	GASKET		1	
4	505 30 87-01	SCREW		2	
5	587 01 70-02	BODY		1	
6	505 30 89-01	PLATE.CHOKE		1	5
7	505 30 90-01	LEVER.CHOKE		1	5
8	506 61 40-01	SCREW		1	5
9	587 93 07-01	FILTER		1	
10	575 33 11-05	COVER		1	
11	575 33 14-01	KNOB		1	10
12	521 52 51-01	CLAMP		1	
13	505 30 48-01	SCREW		2	
14	506 74 42-01	COVER		1	
15	587 10 67-01	CARBURETTOR		1	
16	587 28 76-02	AIR FILTER		1	
17	587 08 80-01	PLATE		1	



CLUTCH

236 R, 2015-02

Ref	Part No	Description	Remark	QTY KIT
1	505 29 29-01	HOUSING		1
2	505 29 30-01	HUB CAP		1
3	505 29 32-01	JOINT		1
4	505 29 33-01	ABSORBER		1
5	505 29 34-01	ABSORBER		1
6	506 60 94-01	BOLT		4
7	522 65 54-01	BOLT		1
8	505 16 99-01	BOLT		1
9	505 29 38-01	DRUM		1
10	516 13 17-01	BALL BEARING		1
11	510 55 13-01	RING		1
12	516 12 42-01	RING		1
13	505 31 24-01	BOLT		4
14	513 37 15-01	SHOE-C		1
15	513 37 16-01	SPRING		1
16	505 29 78-01	SCREW		2
17	505 29 80-01	WASHER		2
18	505 29 81-01	WASHER		2

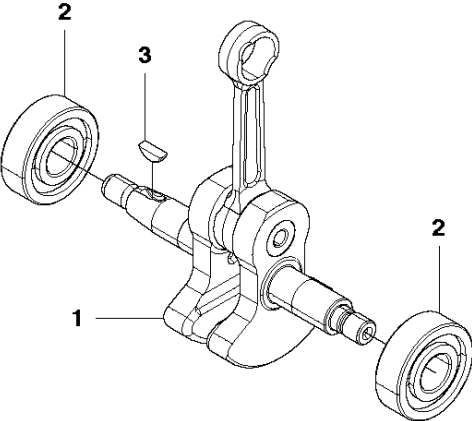


CRANKCASE

236 R, 2015-02

Ref	Part No	Description	Remark	QTY	KIT
1	585 56 52-01	CRANKCASE		1	
2	504 12 15-01	SEALING		1	
3	505 29 67-01	SEAL		1	
4	504 12 10-01	SNAP RING		1	
5	505 29 64-01	GASKET		1	
6	505 29 61-01	PIN		3	1
7	505 29 62-01	GUARD		1	
8	505 29 98-01	SCREW		1	
9	574 72 12-01	COVER		1	
10	505 30 00-01	PIN		2	
11	505 30 02-01	BOLT		4	
12	505 30 04-01	PLATE		1	
13	506 60 94-01	BOLT		4	

N 236R
CRANKSHAFT

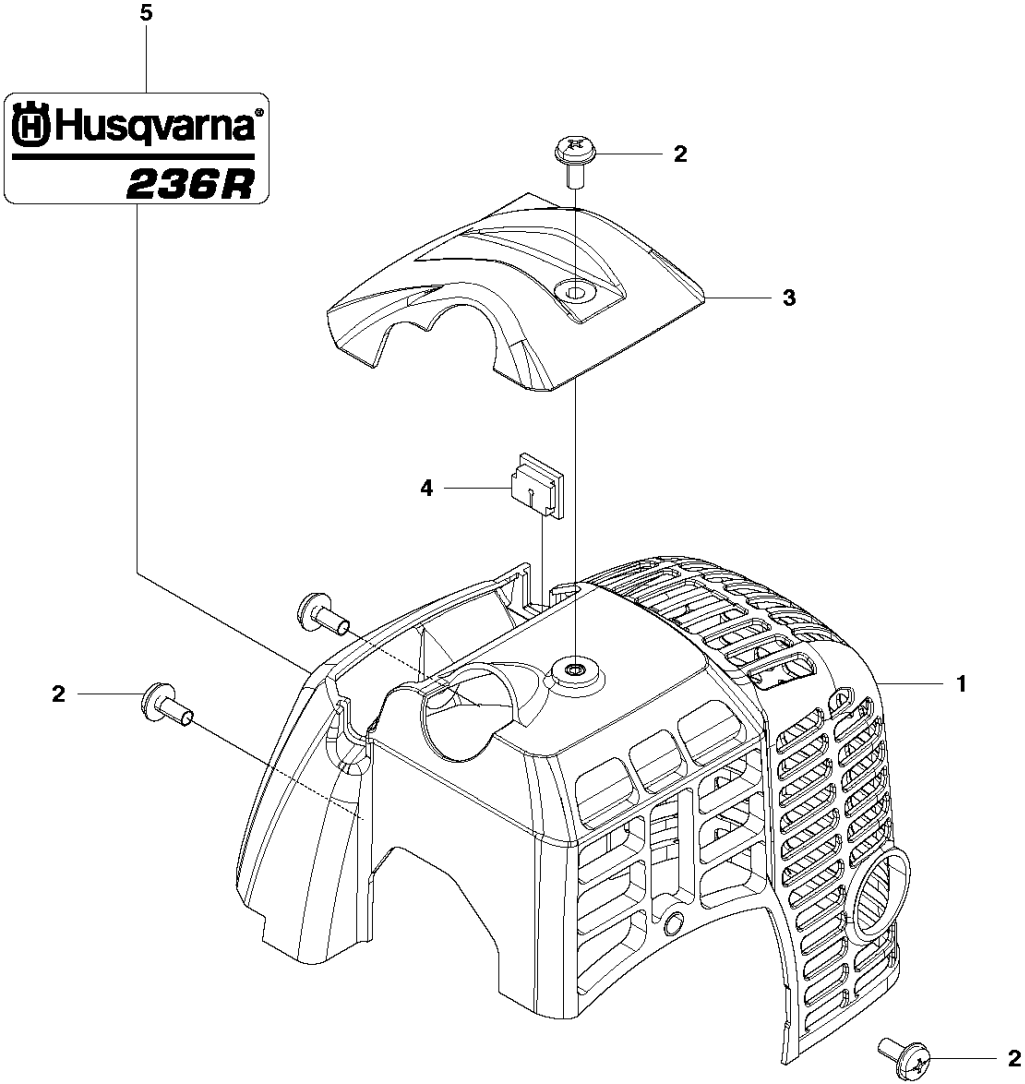


CRANKSHAFT

236 R, 2015-02

Ref	Part No	Description	Remark	QTY KIT
1	585 15 30-01	CRANKSHAFT		1
2	505 29 65-01	BEARING		2
3	506 68 94-01	KEY		1

G 236R
CYLINDER COVER

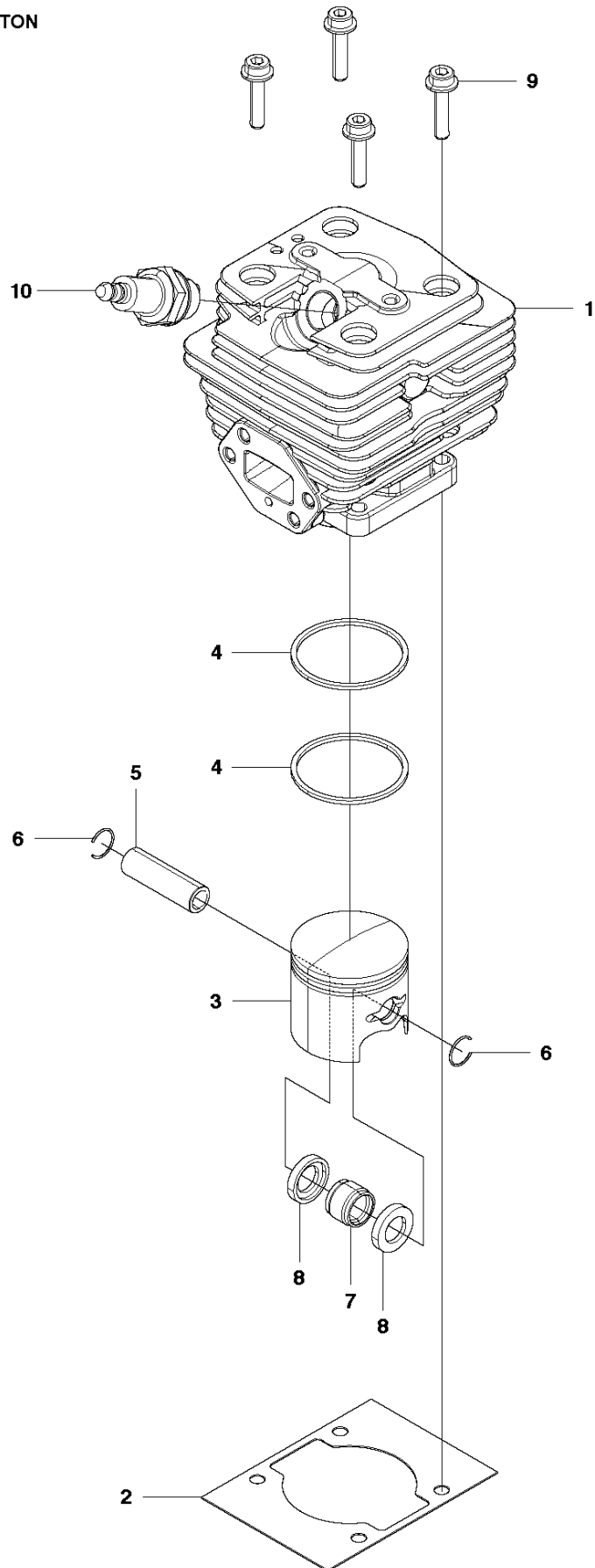


CYLINDER COVER

236 R, 2015-02

Ref	Part No	Description	Remark	QTY KIT
1	505 30 05-01	COVER.ENGINE		1
2	505 30 06-01	SCREW		4
3	505 30 11-01	GUARD		1
4	505 30 13-01	GROMMET		1
5	528 74 89-01	LABEL,COVER		1

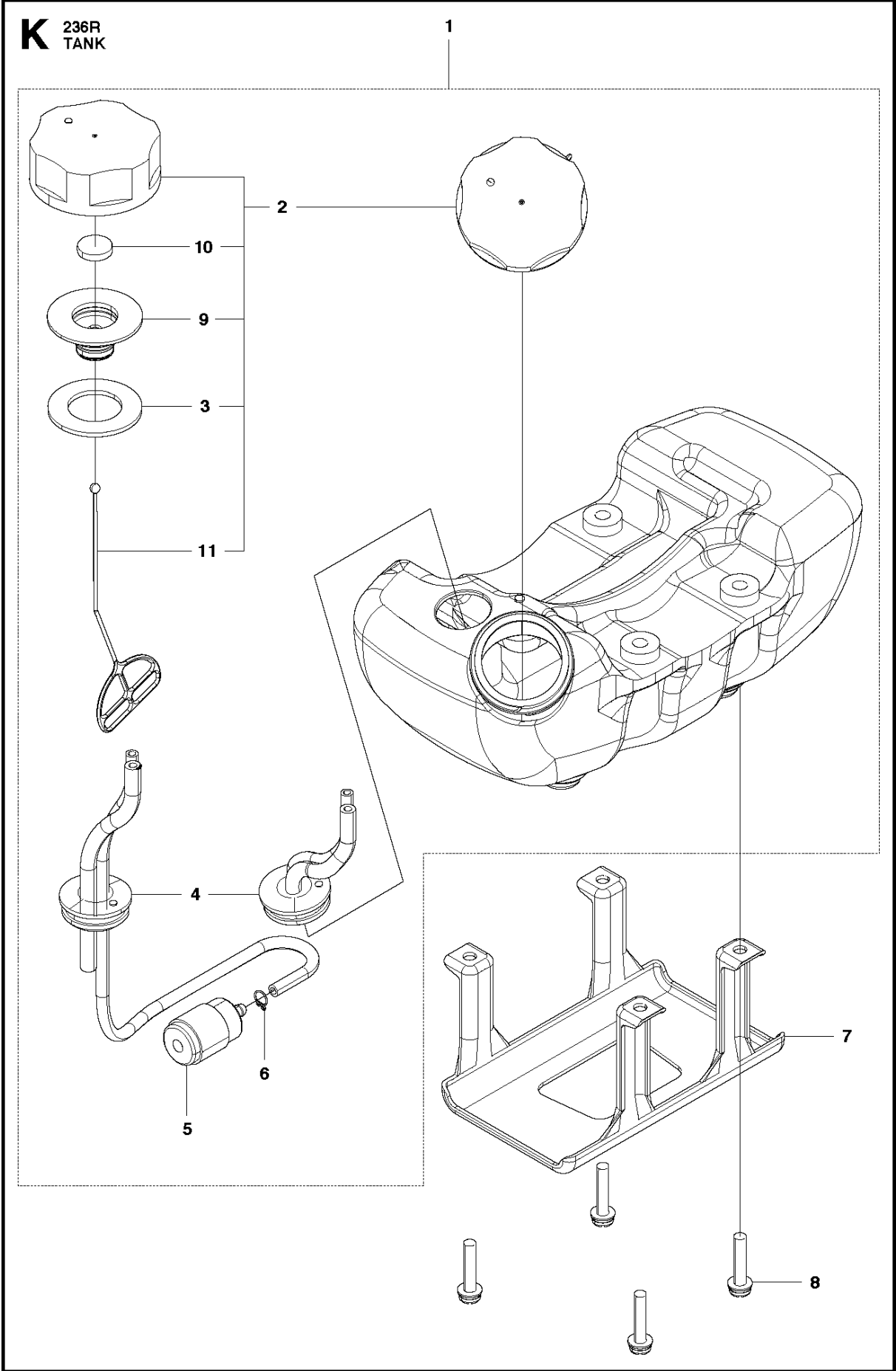
M 236R
CYLINDER & PISTON



CYLINDER PISTON

236 R, 2015-02

Ref	Part No	Description	Remark	QTY KIT
1	512 27 22-01	CYLINDER		1
2	510 06 43-01	GASKET		1
3	515 37 51-01	PISTON		1
4	510 91 77-01	RING.PISTON		2
5	510 91 66-01	PIN		1
6	516 28 30-01	RING		2
7	505 29 73-01	BEARING		1
8	513 75 24-01	WASHER		2
9	513 41 25-01	BOLT		4
10	515 49 74-01	SPARKPLUGBPMR7A		1



FUEL TANK

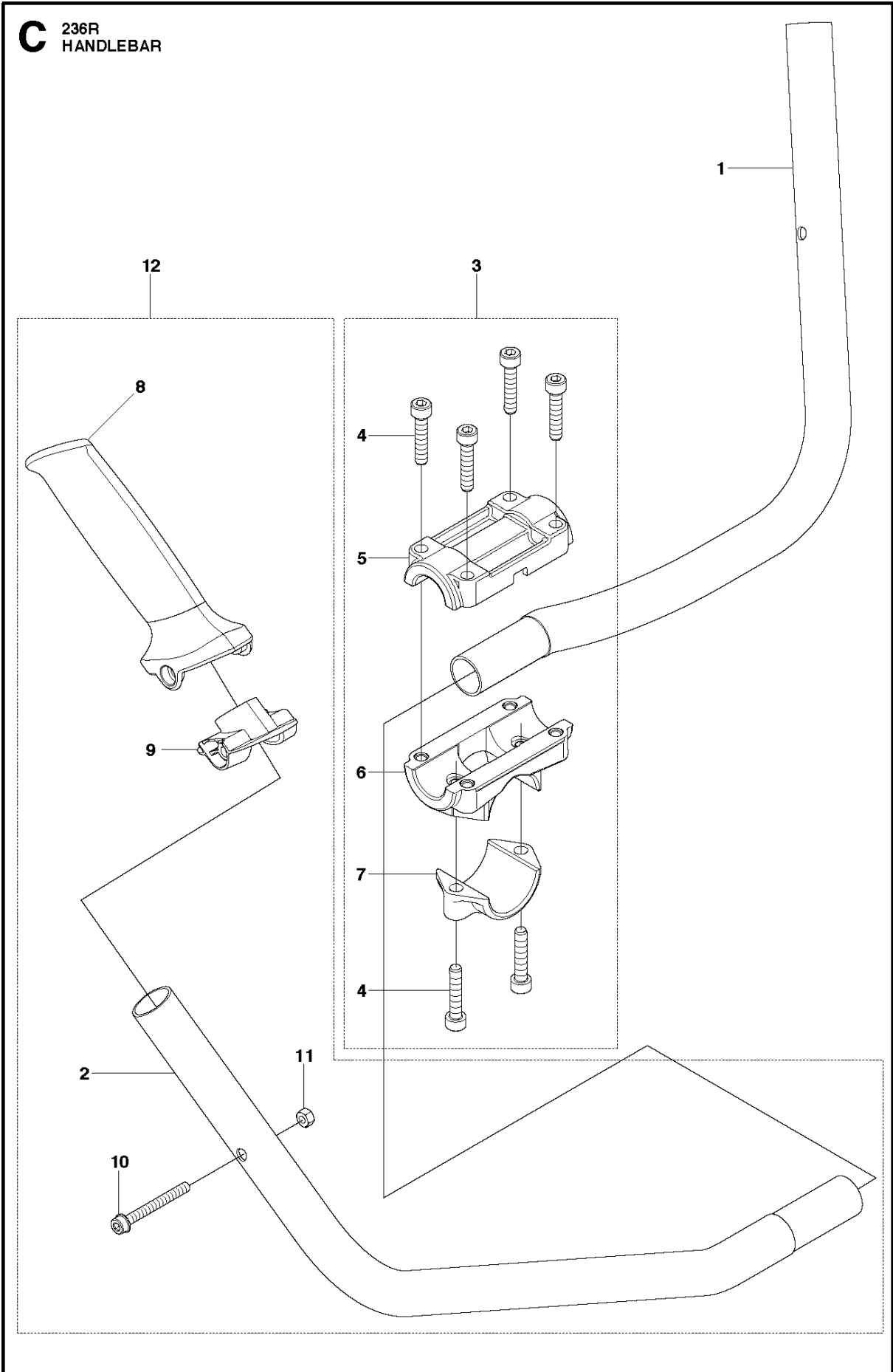
236 R, 2015-02

Ref	Part No	Description	Remark	QTY	KIT
1	586 93 16-01	TANK		1	
2	505 30 96-01	CAP-A		1	1
3	506 74 43-01	PACKING		1	2, 1
4	515 41 84-01	PIPE-C		1	1
5	503 44 32-01	FILTER		1	1
6	506 70 70-01	CLIP		1	1
7	505 31 09-01	GUARD		1	
8	505 31 10-01	SCREW		4	
9	515 36 94-01	HOLDER-A		1	2
10	506 74 68-01	FILTER		1	2
11	506 74 58-01	STOPPER		1	2

GEARS

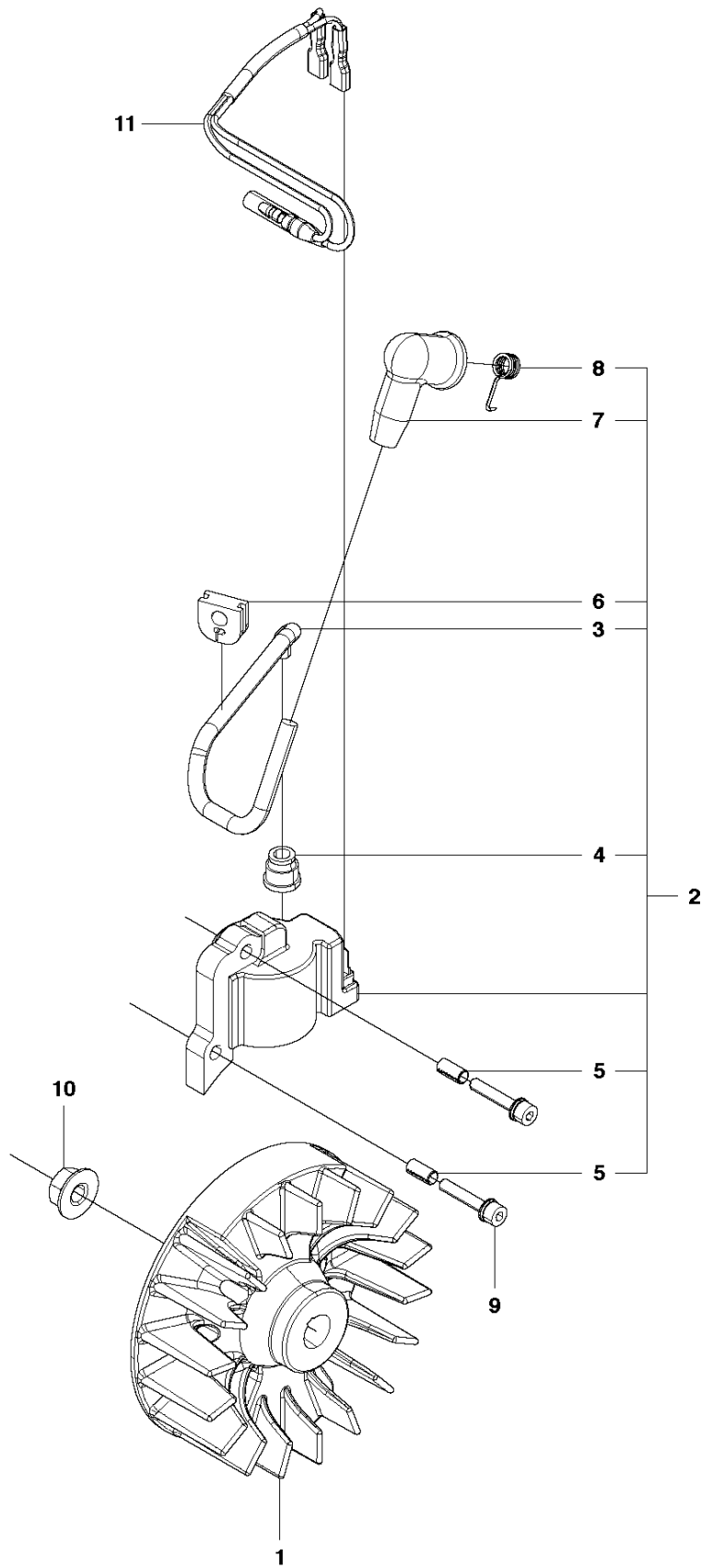
236 R, 2015-02

Ref	Part No	Description	Remark	QTY	KIT
1	579 07 62-01	GEAR CASE			
2	506 74 56-01	BOLT		1	
3	537 18 95-01	SCREW		1	
4	528 81 85-01	BRACKET		1	
5	521 86 20-01	BOLT		1	1
6	521 86 24-01	BOLT		1	1
7	579 07 68-01	PINION		1	1
8	516 12 41-01	RING		1	1
9	516 12 79-01	BALL BEARING		1	1
10	516 13 00-01	BALL BEARING		1	1
11	506 60 99-01	RING		1	1
12	544 36 27-01	BOLT		1	1
13	505 17 02-01	BEARING		1	1
14	579 07 67-01	GEAR		1	1
15	579 07 66-01	SHAFT		1	1
16	516 13 17-01	BALL BEARING		1	1
17	502 84 93-01	SNAP RING		1	1
18	521 52 22-01	SEAL		1	1
19	579 07 69-01	HOLDER		1	1
20	579 07 70-01	PLATE		1	1
21	579 07 71-01	HOLDER		1	1
22	579 07 64-01	NUT		1	1



Ref	Part No	Description	Remark	QTY	KIT
1	586 93 19-01	HANDLE	Brazil	1	
1	528 81 74-01	HANDLE(R)	All ex EU/US/CA/AU/NZ	1	
2	586 93 21-01	HANDLE	Brazil	1	12
2	528 81 75-01	HANDLE(L)	All ex EU/US/CA/AU/NZ	1	12
3	505 29 46-01	BRACKET-ASSY		1	
4	516 07 10-01	BOLT	Screw M5x25	6	3
5	505 29 49-01	CAP-U		1	3
6	505 29 47-01	BRACKET		1	3
7	505 29 48-01	CAP-L		1	3
8	537 17 28-02	HANDLE		1	12
9	537 17 29-01	COVER		1	12
10	510 90 94-01	BOLT		1	12
11	575 96 06-01	NUT		1	12
12	586 93 20-01	HANDLE	Brazil	1	
12	528 81 78-01	HANDLE(L)-A	EU/US/CA/AU/NZ	1	

F 236R
IGNITION

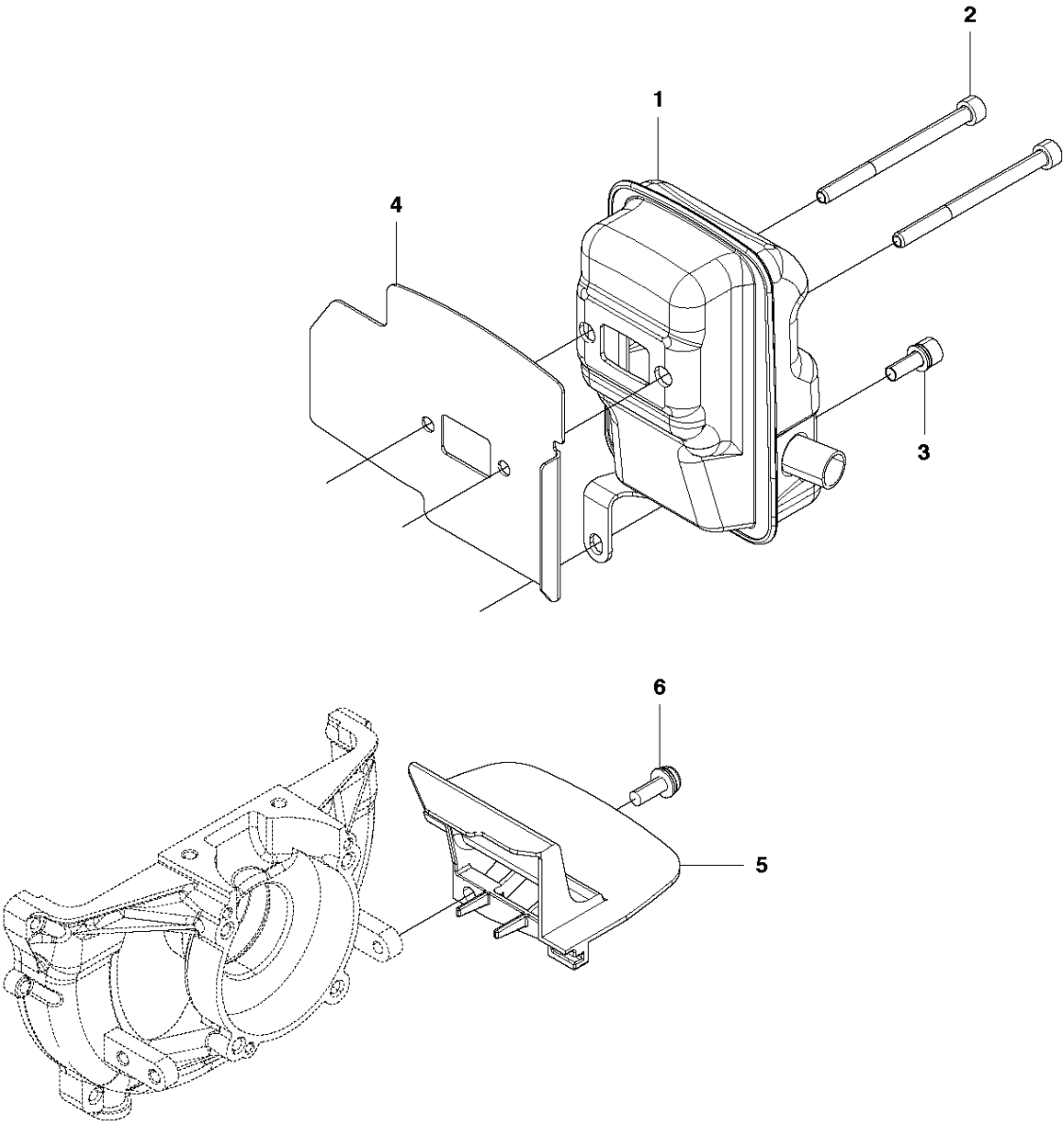


IGNITION SYSTEM

236 R, 2015-02

Ref	Part No	Description	Remark	QTY	KIT
1	505 29 82-01	ROTOR		1	
2	505 29 83-01	COIL-A		1	
3	505 29 84-01	CORD.HIGH		1	2
4	505 04 28-01	HUB CAP		1	2
5	505 29 86-01	PIN		2	2
6	515 41 53-01	GROMMET		1	2
7	505 29 88-01	HUB CAP		1	2
8	505 29 89-01	SPRING		1	2
9	505 29 90-01	BOLT		2	
10	504 11 80-01	NUT		1	
11	529 25 29-01	CORD-C		1	

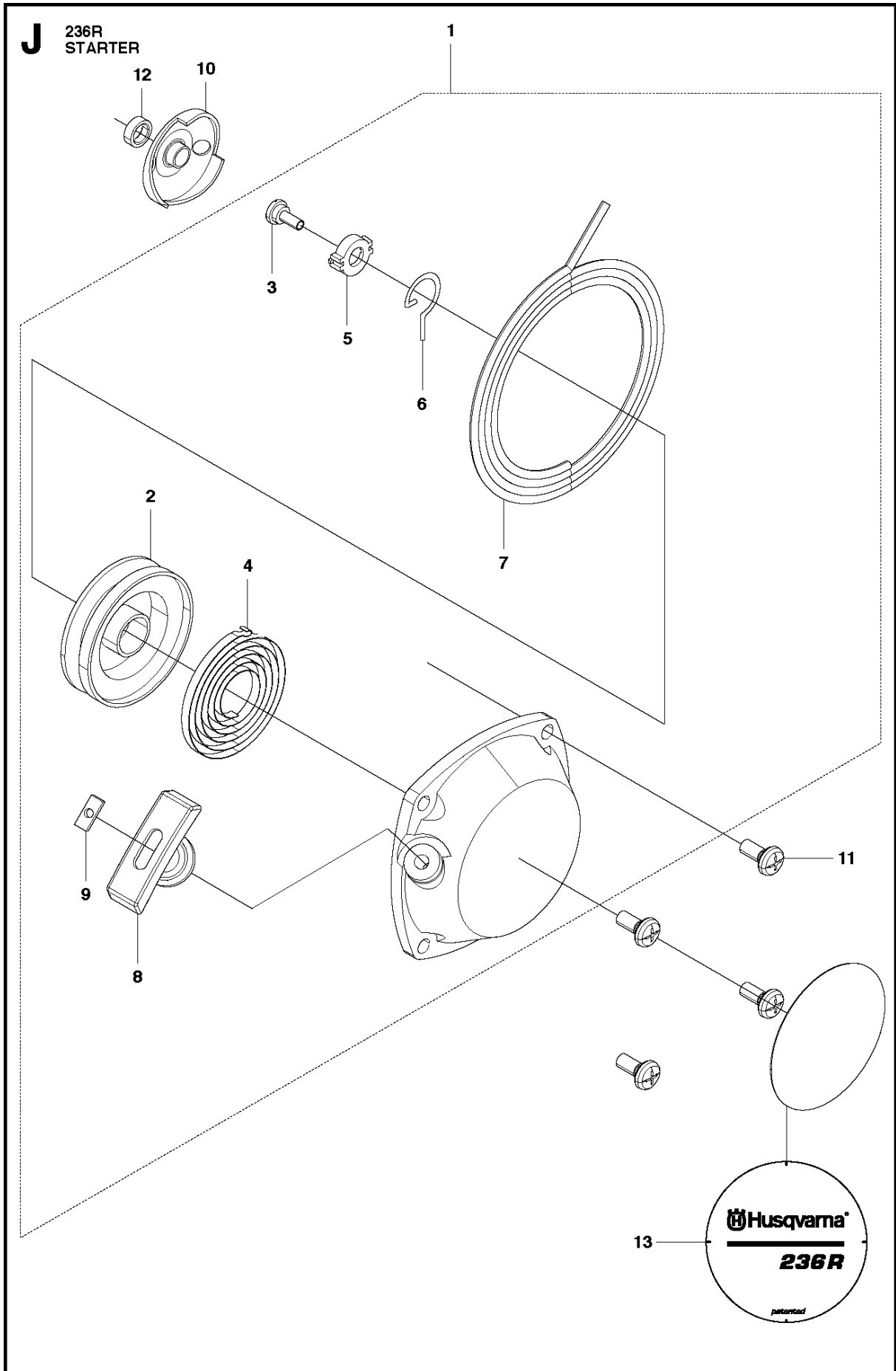
H 236R
MUFFLER



MUFFLER

236 R, 2015-02

Ref	Part No	Description	Remark	QTY KIT
1	515 37 45-01	MUFFLER		1
2	516 07 15-01	BOLT		2
3	505 29 95-01	BOLT		1
4	526 52 28-01	GASKET		1
5	505 29 97-01	PLATE.MUFFLER		1
6	505 29 98-01	SCREW		1

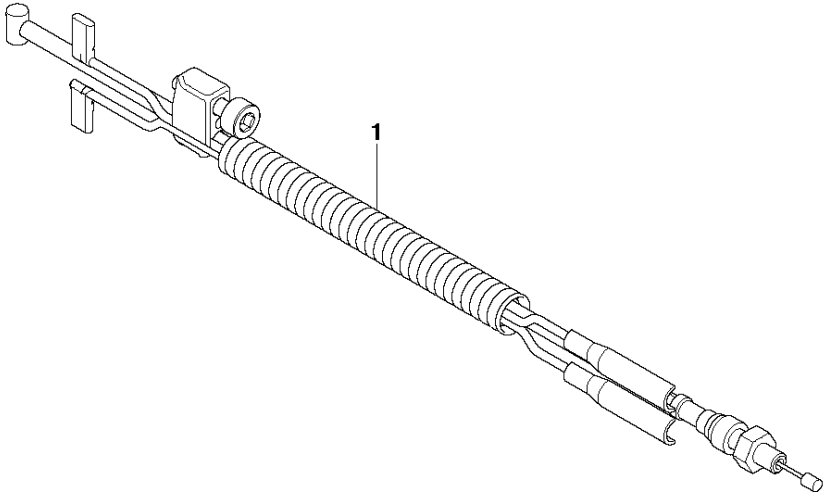
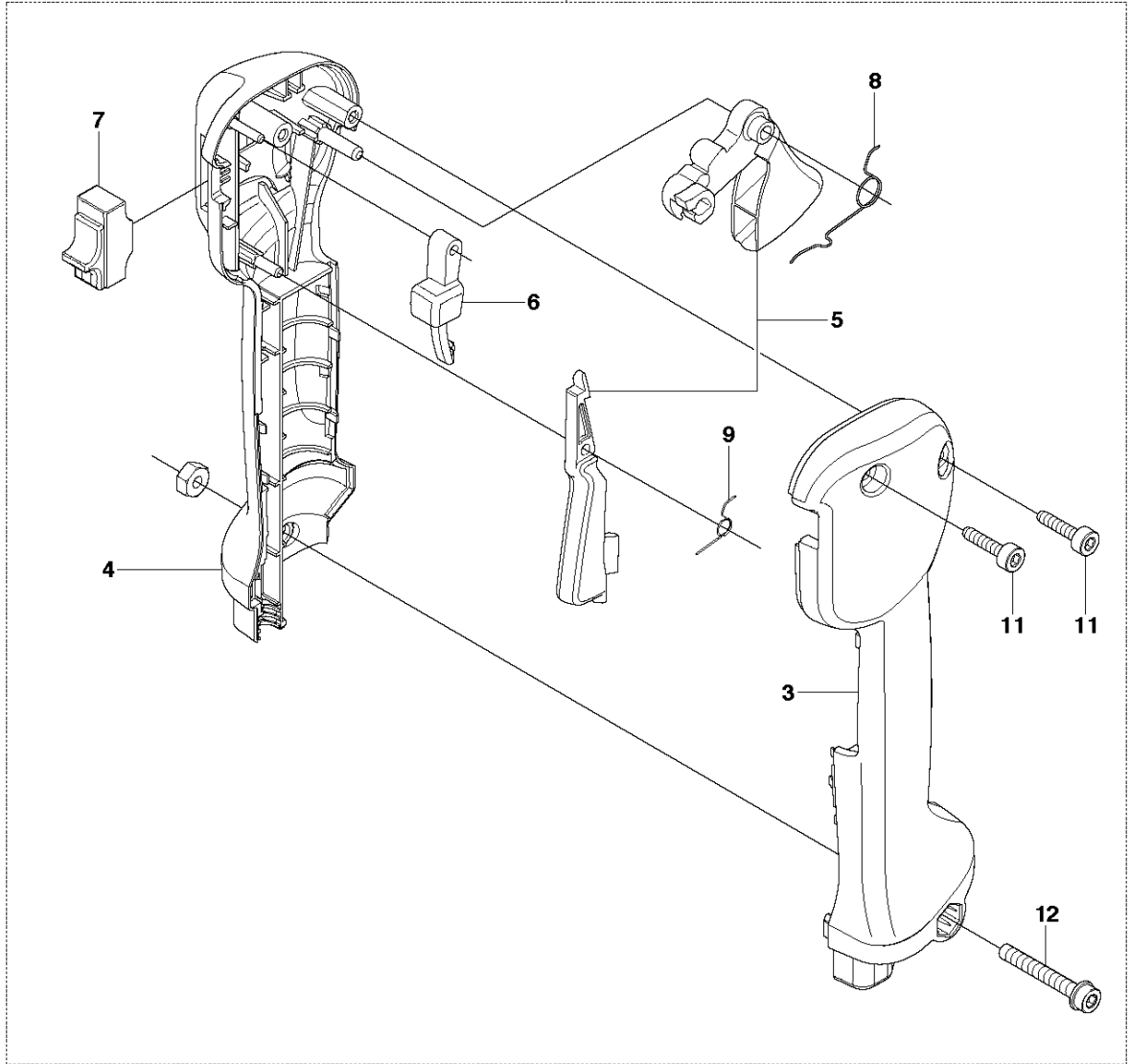


STARTER

236 R, 2015-02

Ref	Part No	Description	Remark	QTY	KIT
1	505 30 17-01	RECOIL-A		1	
2	504 11 47-01	REEL		1	1
3	515 36 71-01	SCREW		1	1
4	504 11 50-01	SPRING.SPIRAL		1	1
5	504 11 46-01	COLLAR		1	1
6	504 11 48-01	ARM		1	1
7	505 30 28-01	ROPE		1	1
8	505 30 34-01	KNOB		1	1
9	504 11 40-01	PLATE.STOPPER		1	1
10	504 11 44-01	PULLEY		1	
11	505 30 44-01	SCREW		4	
12	505 30 46-01	COLLAR		1	
13	528 74 90-01	LABEL,RECOIL		1	

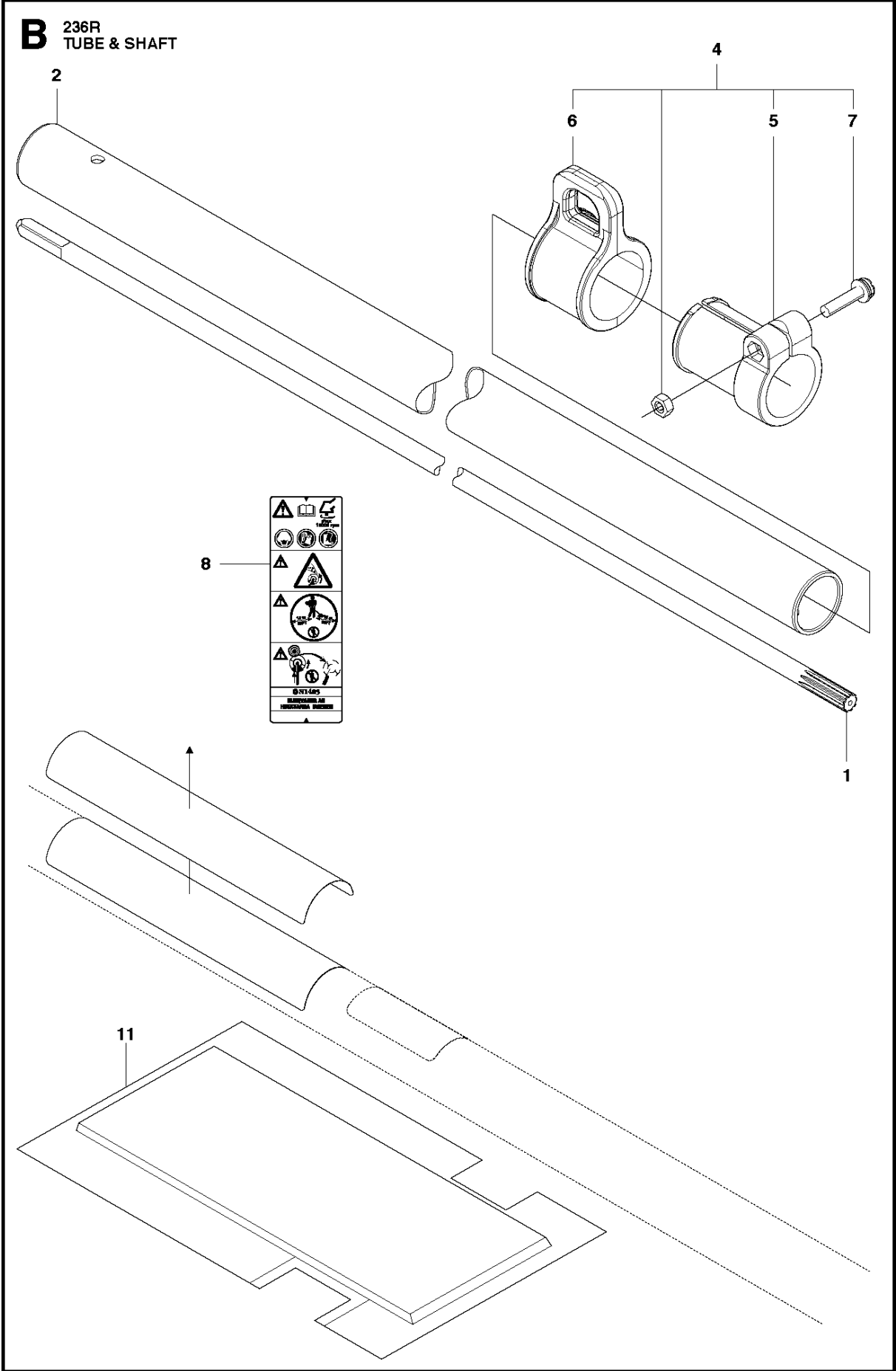
D 236R
THROTTLE HANDLE



THROTTLE CONTROLS

236 R, 2015-02

Ref	Part No	Description	Remark	QTY	KIT
1	522 03 66-01	THROTTLE CABLE ASSY		1	
2	537 18 35-07	HANDLE SYSTEM ASSY		1	
3	537 16 03-01	HANDLE HALF RIGHT		1	2
4	537 16 02-03	HANDLE HALF LEFT		1	2
5	506 49 77-01	THROTTLE CONTROL		1	2
6	537 16 07-03	STARTER THROTTLE LOC		1	2
7	503 71 82-01	SWITCH		1	2
8	537 17 42-01	SPRING THROTTLE TRIG		1	2
9	537 17 43-01	SPRING		1	2
11	503 21 66-74	SCREW IHSC T		2	2
12	503 20 07-82	SCREW IHSCFM		1	2



Ref	Part No	Description	Remark	QTY	KIT
1	583 94 32-01	DRIVE SHAFT		1	
2	521 80 67-01	PIPE-COMP		1	
4	505 29 53-01	HANGER ASSY		1	
5	505 29 54-01	HANGER		1	4
6	505 29 55-01	CLAMP		1	4
7	505 29 57-01	SCREW	M5x22	1	4
8	587 36 26-01	DECAL		1	
11	521 53 87-01	PROTECTOR		1	