

## PG530

Reservdelar

Spare parts

Ersatzteile

Pieces de rechange

Piezas de repuesto

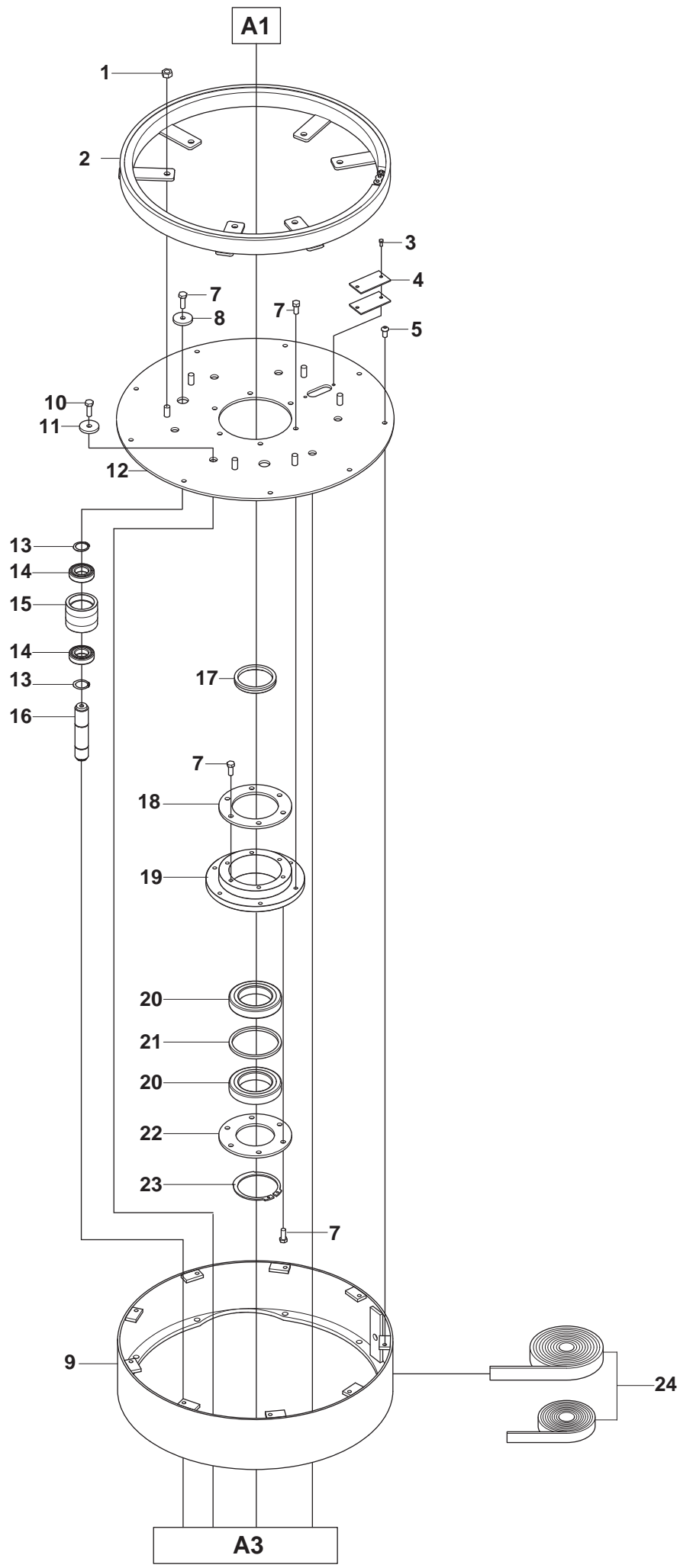
Ricambi

Peças sobresselente



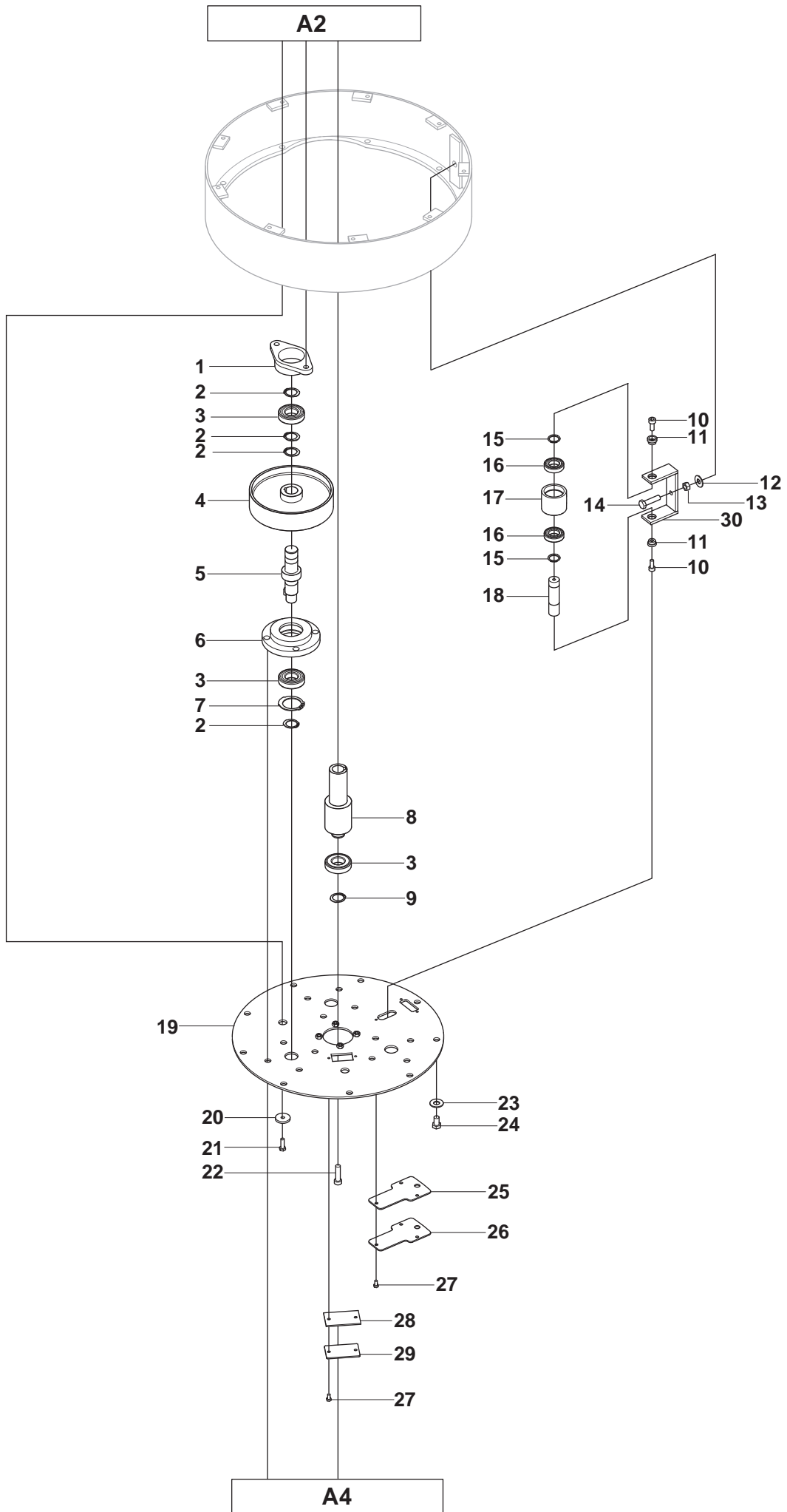
Position #	Article #	Quantity	Notes	Kit
1	522 65 84-01	1		
2	521 88 71-01	7		
3	522 65 86-01	1		
4	522 65 85-01	1		
5	502 55 96-01	1		
6	502 56 40-01	1		
7	541 40 51-78	2		
8	734 11 52-01	4		
9	735 11 53-01	4		
10	725 23 72-71	4		
11	502 56 16-01	1		
12	725 24 49-76	4		
13	735 11 64-01	4		
14	734 11 63-01	10		20
15	504 72 98-02	1		20
16	725 24 53-76	2		20
17	732 25 16-01	3		20
18	522 65 87-01	1		20
19	732 25 18-01	2		20
20	522 65 88-01	1		28
21	522 62 94-01	1		
22	725 25 34-71	10		
23	734 11 78-01	10		
24	502 56 15-01	1		
25	504 72 51-01	1		
26	502 56 22-01	1		27
27	502 56 21-01	1		28
28	522 65 89-01	1		
29	724 33 70-51	3		
30a	505 55 66-01	1	MAIN MOTOR FAN COVER 3KW	
30b	522 65 90-01	1	MAIN MOTOR FAN COVER 4KW	
31	725 24 55-76	4		
32a	505 55 65-01	1	MAIN MOTOR FAN 3KW	
32b	522 65 92-01	1	MAIN MOTOR FAN 4KW	
33	522 65 93-01	1		
34	504 72 56-01	2		
35	522 65 94-01	1		
36	502 56 13-01	1		

# A2



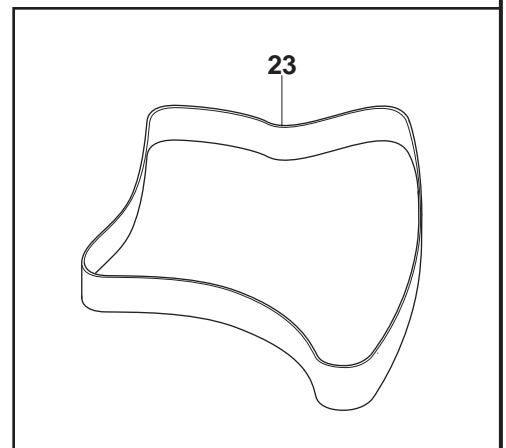
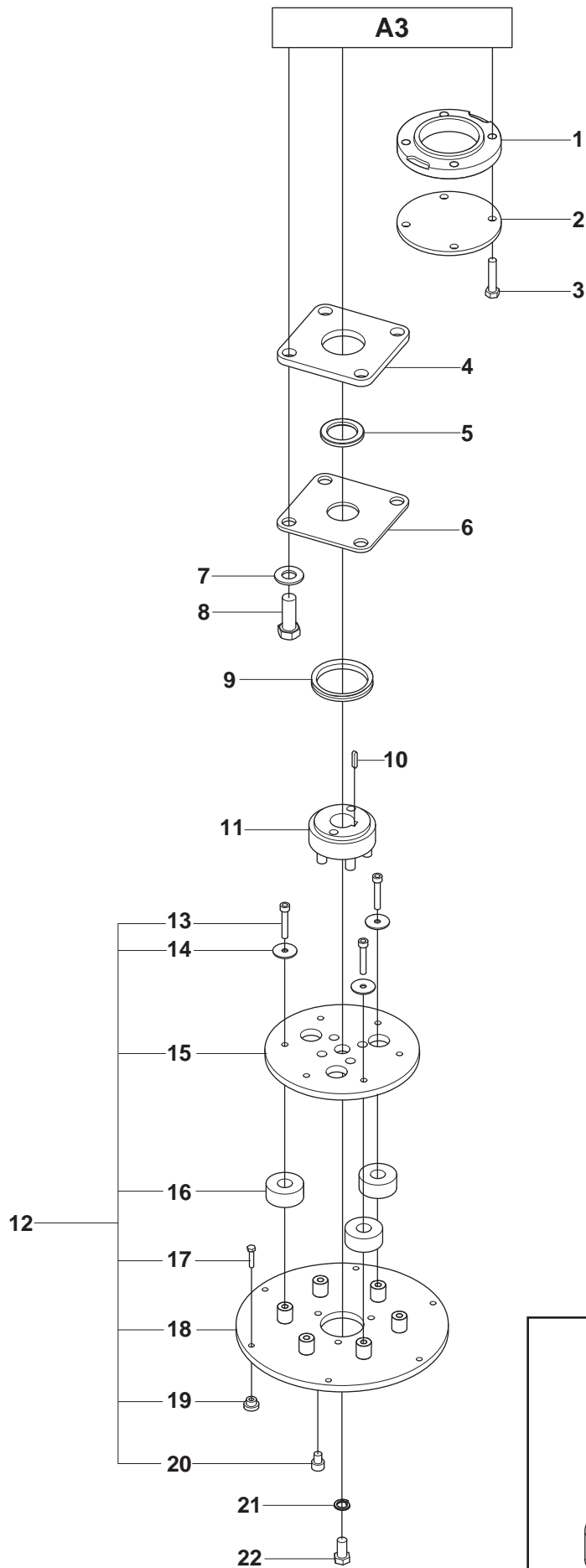
Position #	Article #	Quantity	Notes	Kit
1	732 25 20-01	1		
2	502 56 23-01	1		
3	725 23 66-71	2		
4	504 72 79-01	1		
5	516 05 85-01	1		
6	522 61 99-01	9		
7	725 24 51-76	20		
8	504 72 86-01	2		
9	502 56 20-01	1		
10	522 62 01-01	6		
11	734 11 82-01	6		
12	502 56 11-01	1		
13	735 31 26-00	2		
15	502 56 04-01	1		
16	502 56 03-01	2		
17	502 53 98-01	1		
18	504 72 50-01	1		
19	502 56 08-01	1		
20	502 56 26-01	2		
21	504 72 48-01	1		
22	504 72 49-01	1		
23	502 53 96-01	1		
24	502 55 91-01	1		

# A3



Position #	Article #	Quantity	Notes	Kit
1	502 56 07-01	3		
2	735 31 30-00	12		
3	502 56 24-01	7		
4	502 56 00-01	3		
5	502 56 02-01	3		
6	502 56 06-01	3		
7	502 56 33-01	3		
8	502 56 01-01	1		
9	502 56 25-01	1		
10	725 54 51-01	2		
11	504 72 42-01	2		
12	734 11 72-01	1		
13	731 23 20-01	1		
14	725 24 99-71	1		
15	735 31 26-00	4		
16	502 56 28-01	1		
17	502 56 04-01	1		
18	502 56 05-01	1		
19	502 56 12-01	1		
20	504 72 86-01	2		
21	725 24 51-76	2		
22	522 62 02-01	1		
23	734 11 78-01	9		
24	725 25 32-71	9		
25	522 65 95-01	1		
26	504 72 55-01	1		
27	725 23 66-71	5		
28	516 05 85-01	1		
29	504 72 79-01	1		
30	502 56 19-01	1		

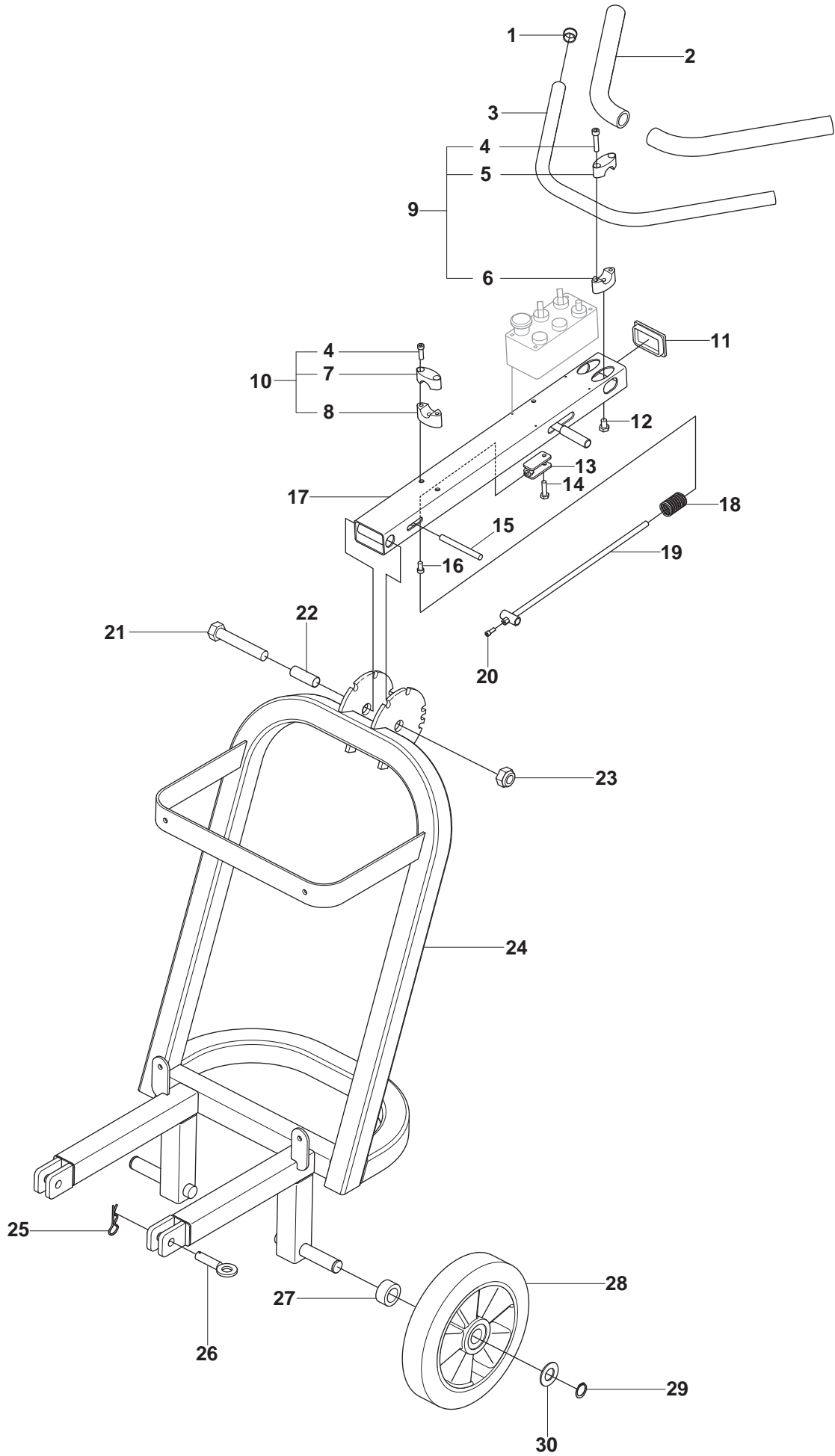
# A4





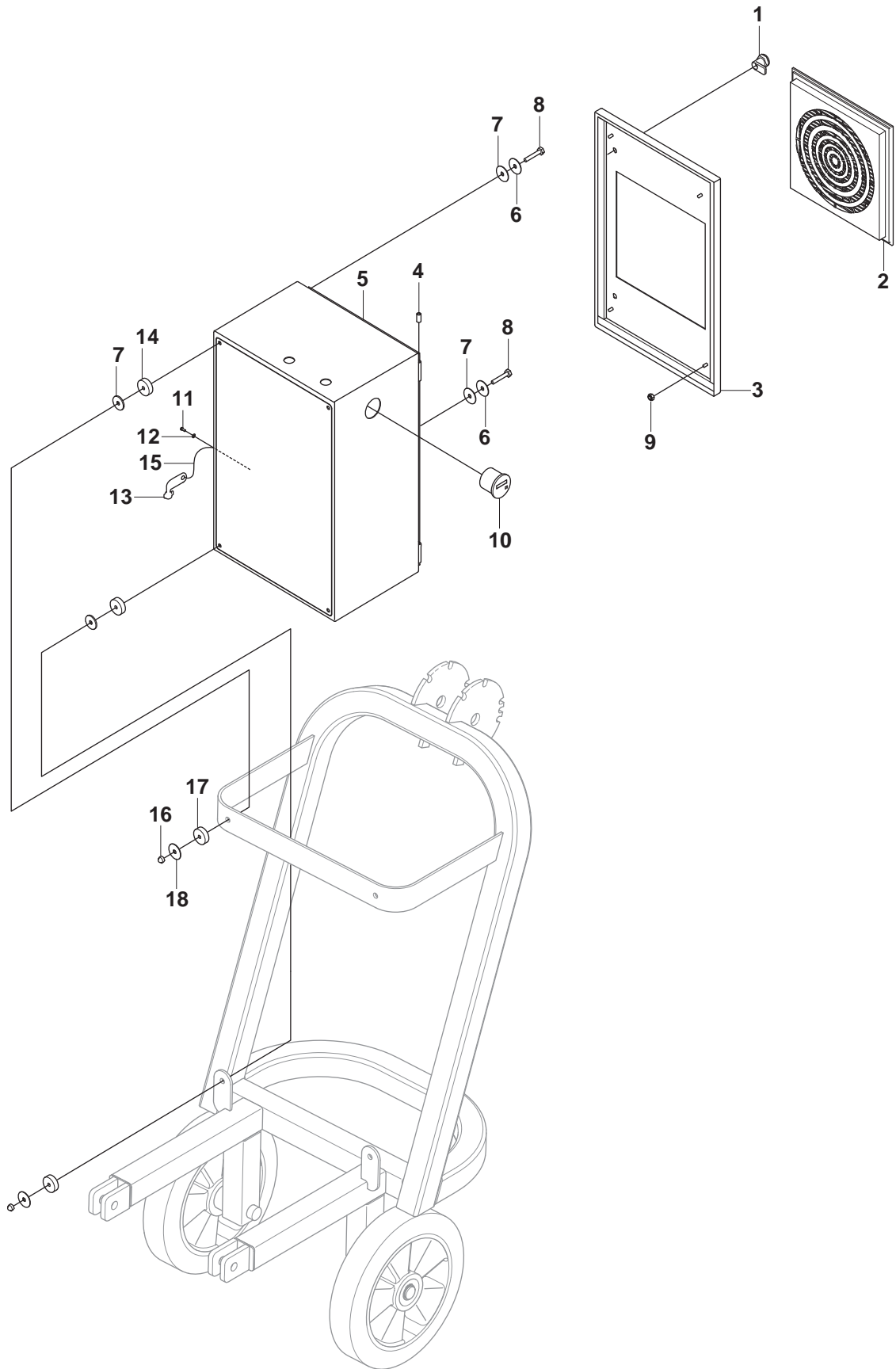
Position #	Article #	Quantity	Notes	Kit
1	502 56 09-01	1		
2	502 56 14-01	1		
3	725 24 55-76	4		
4	502 56 17-01	3		
5	502 56 34-01	3		
6	502 56 18-01	3		
7	734 11 82-01	12		
8	522 62 03-01	12		
9	502 56 36-01	3		
10	522 65 96-01	3		
11	502 56 10-01	3		
12	502 55 82-01	3		
13	725 53 68-01	18		12
14	522 62 05-01	18		12
15	522 65 97-01	3		12
16	502 53 39-01	9		12
17	725 53 70-01	9		12
18	522 65 98-01	3		12
19	502 53 44-01	9		12
20	504 74 84-01	9		12
21	504 74 96-02	3		
22	522 66 18-01	3		
23	502 56 39-01	1		

# B1



Position #	Article #	Quantity	Notes	Kit
1	516 05 87-01	2		
2	502 56 65-14	2		
3	502 56 65-13	1		
4	521 88 75-01	6		9, 10
5	516 05 88-01	2		9
6	516 05 89-01	2		9
7	516 05 91-01	1		10
8	516 05 92-01	1		10
9	502 54 49-25	2		
10	502 54 49-26	1		
11	516 05 90-01	1		
12	725 24 89-71	2		
13	502 54 49-05	1		
14	725 24 55-76	1		
15	516 05 93-01	1		
16	725 54 45-01	2		
17	502 56 65-02	1		
18	502 54 49-27	1		
19	522 65 99-01	1		
20	725 53 66-01	1		
21	504 75 07-01	1		
22	516 05 97-01	1		
23	504 75 06-01	1		
24	502 56 64-01	1		
25	721 68 02-51	2		
26	504 72 97-01	2		
27	504 72 77-07	2		
28	502 54 50-01	2		
29	735 31 26-00	2		
30	504 75 14-01	2		

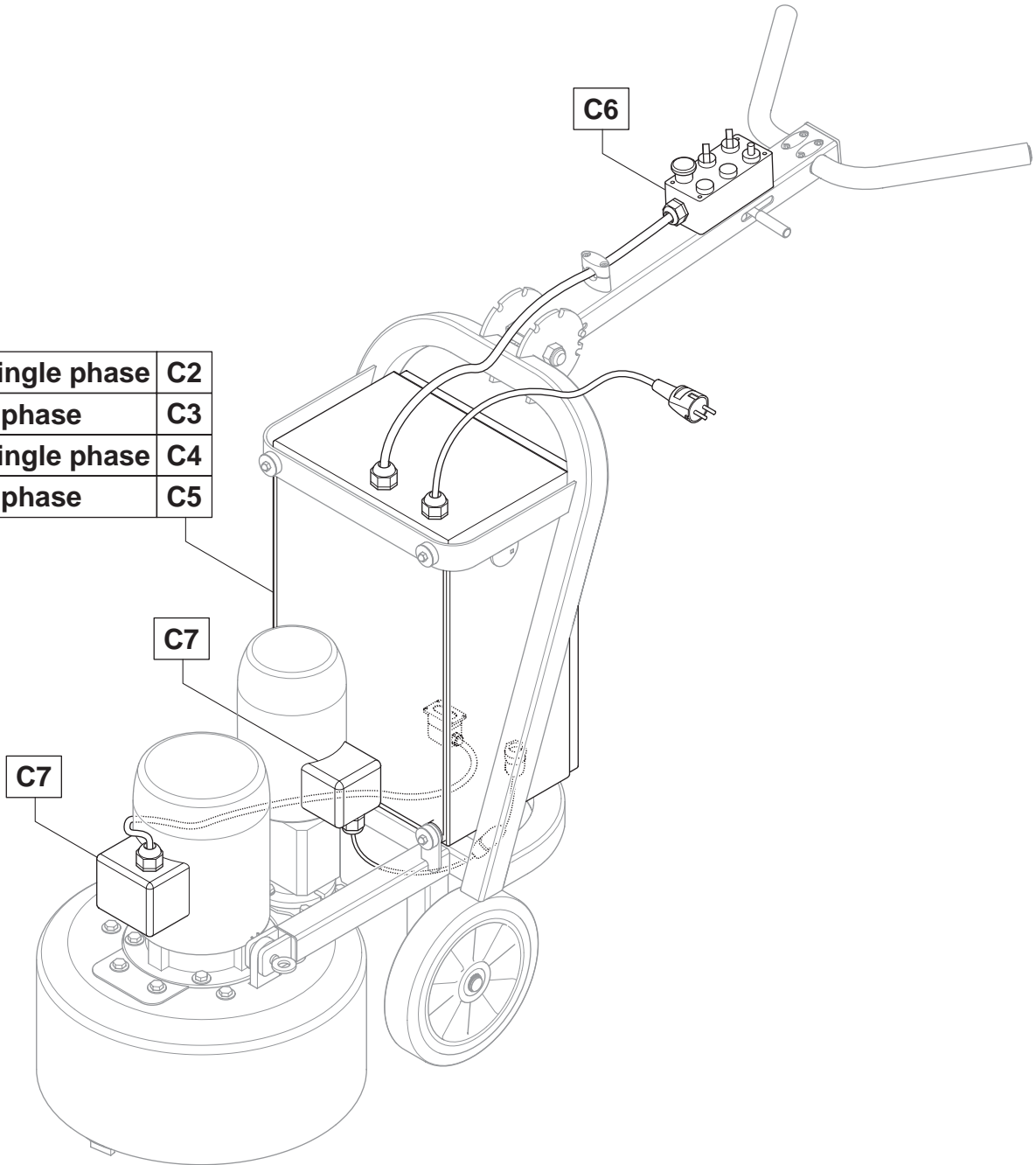
# B2



<b>Position #</b>	<b>Article #</b>	<b>Quantity</b>	<b>Notes</b>	<b>Kit</b>
1	516 05 98-01	2		5
2	502 54 41-01	1		5
3	516 05 99-01	1		5
4	516 06 00-01	2		5
5	502 54 43-01	1		
6	504 74 73-01	4		
7	516 06 01-01	8		
8	725 24 61-76	4		
9	732 25 16-01	1		
10	504 74 13-01	1		
11	521 88 64-01	1		
12	734 11 52-01	1		
13	516 06 02-01	1		
14	502 53 39-01	4		
15	516 06 03-01	1		
16	504 75 30-01	4		
17	515 98 41-01	4		
18	521 88 67-01	4		

# C1

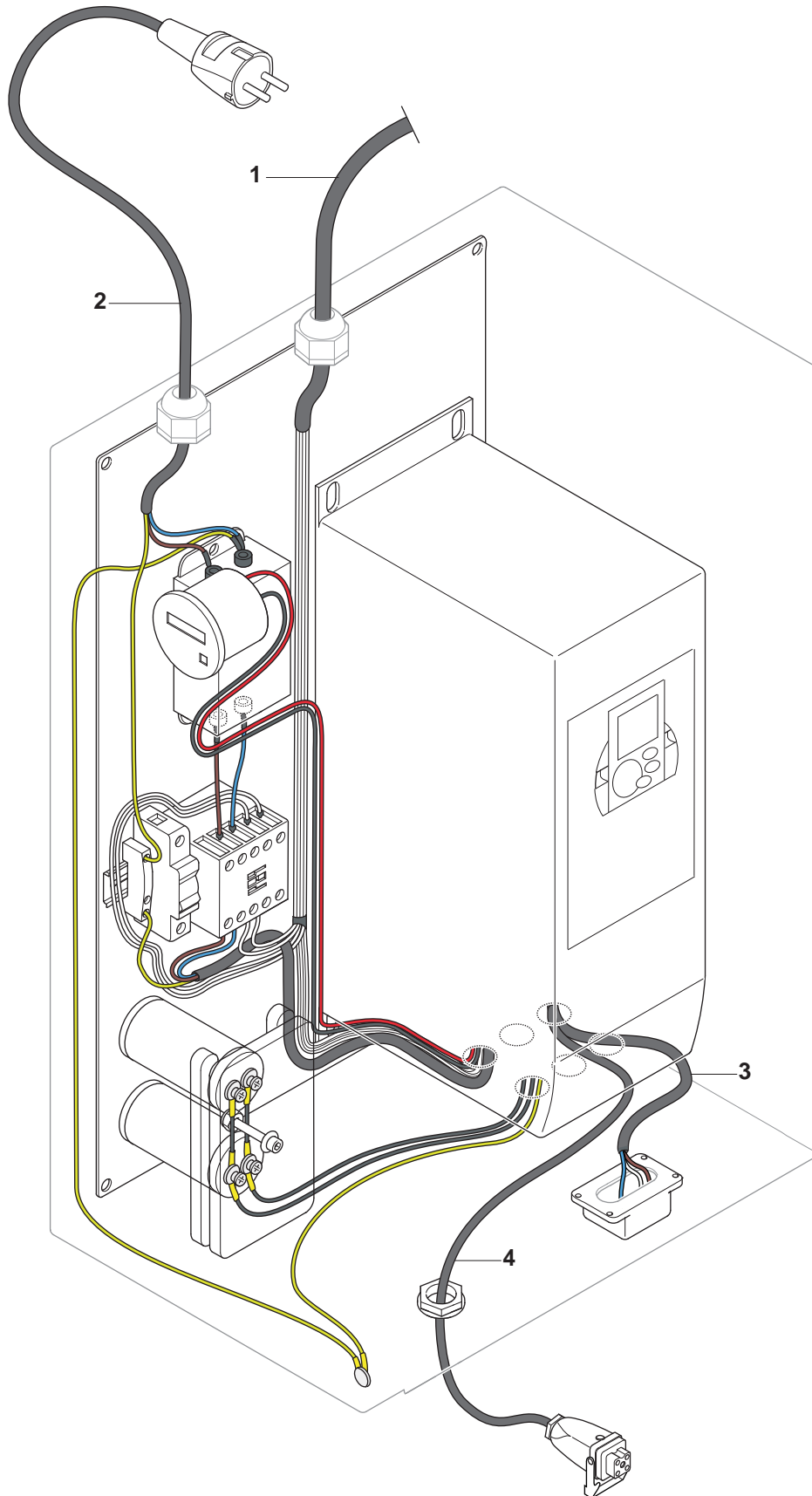
Single phase	C2
3 phase	C3
Single phase	C4
3 phase	C5





# C2

## Single Phase

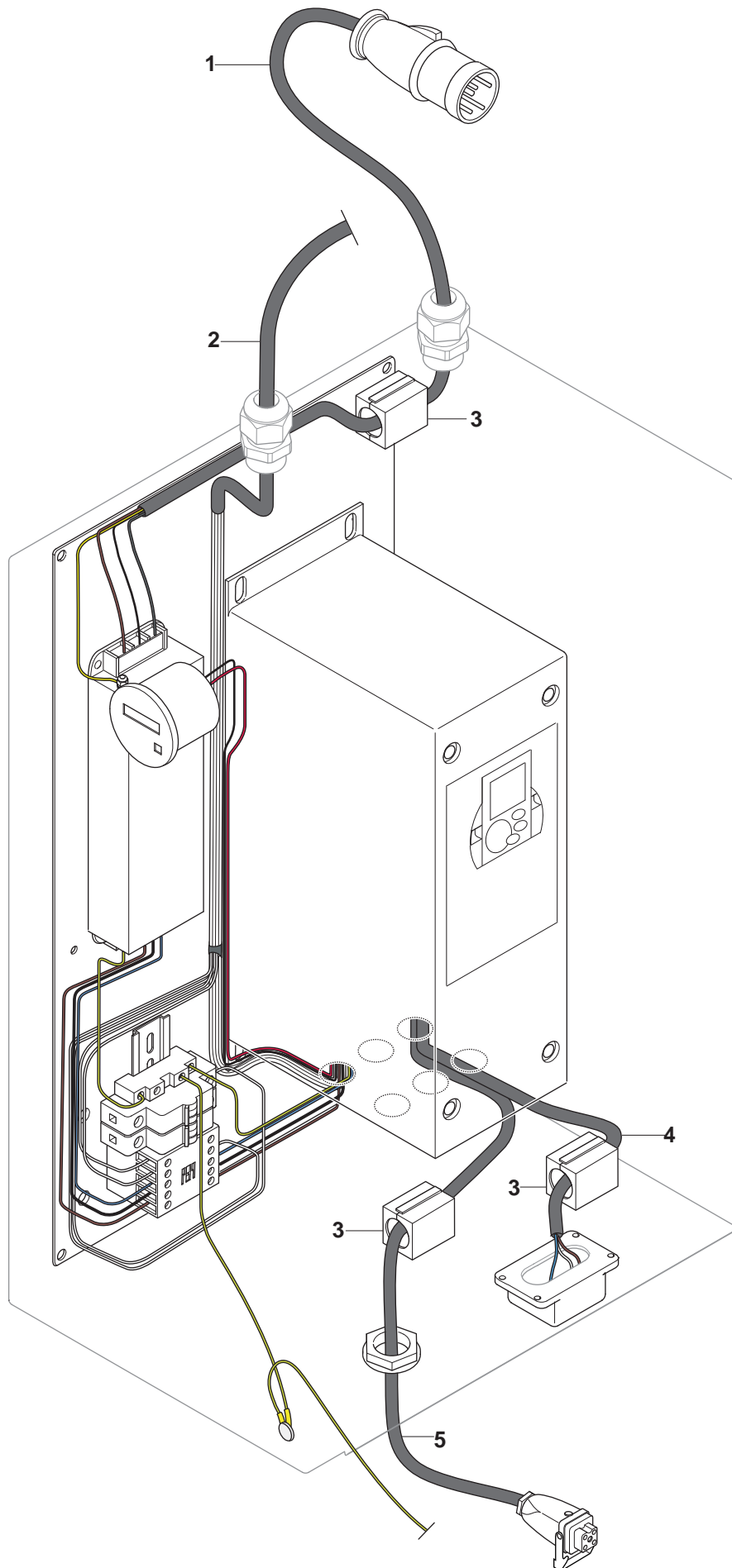




<b>Position #</b>	<b>Article #</b>	<b>Quantity</b>	<b>Notes</b>	<b>Kit</b>
1	504 75 39-01	1		
2	504 75 57-01	1		
3	522 66 00-01	1		
4	522 66 01-01	1		

# C3

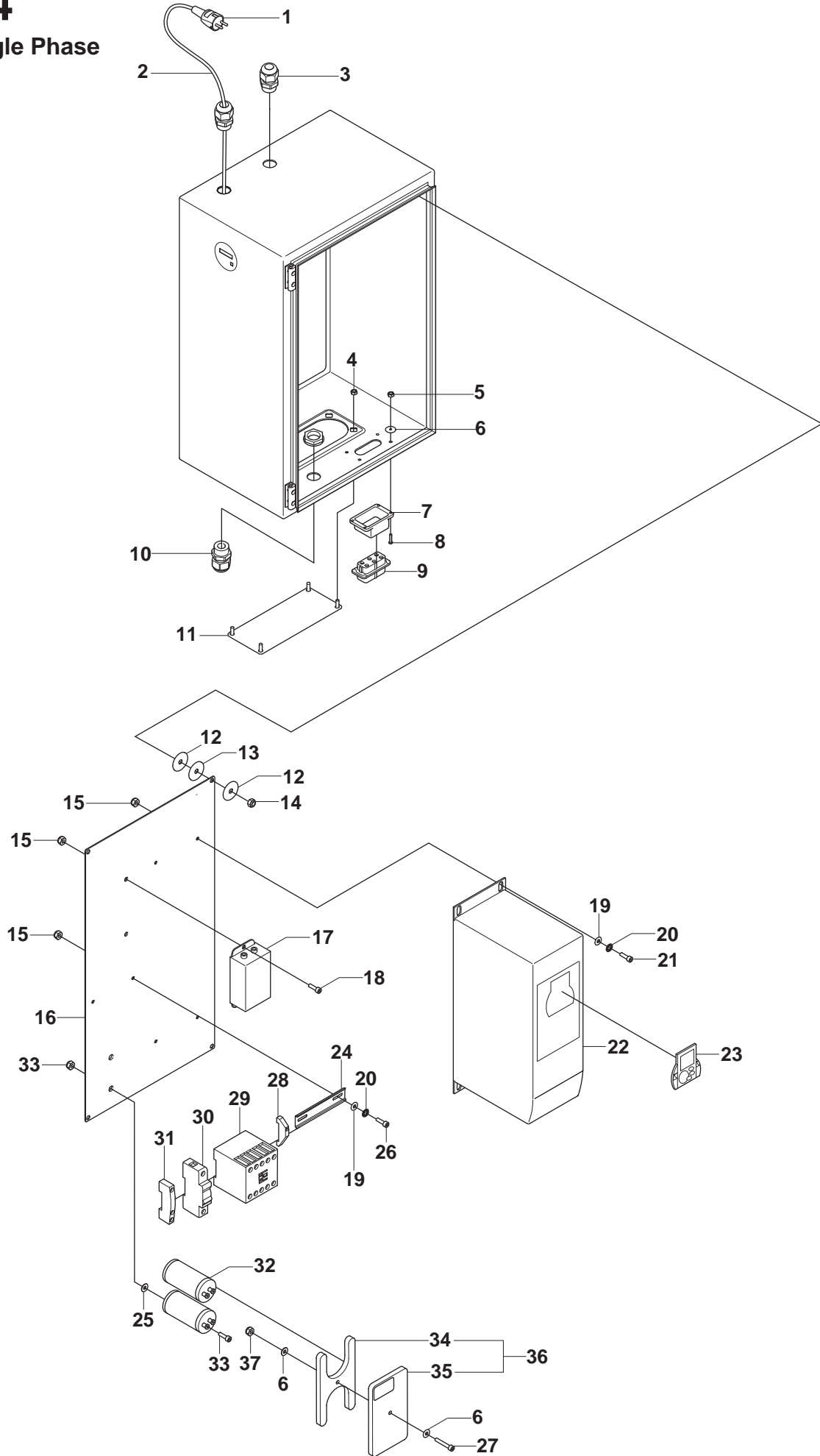
3 phase



<b>Position #</b>	<b>Article #</b>	<b>Quantity</b>	<b>Notes</b>	<b>Kit</b>
1	504 75 57-01	1		
2	504 75 39-01	1		
3	504 71 72-01	3		
4	522 66 02-01	1		
5	522 66 01-01	1		

# C4

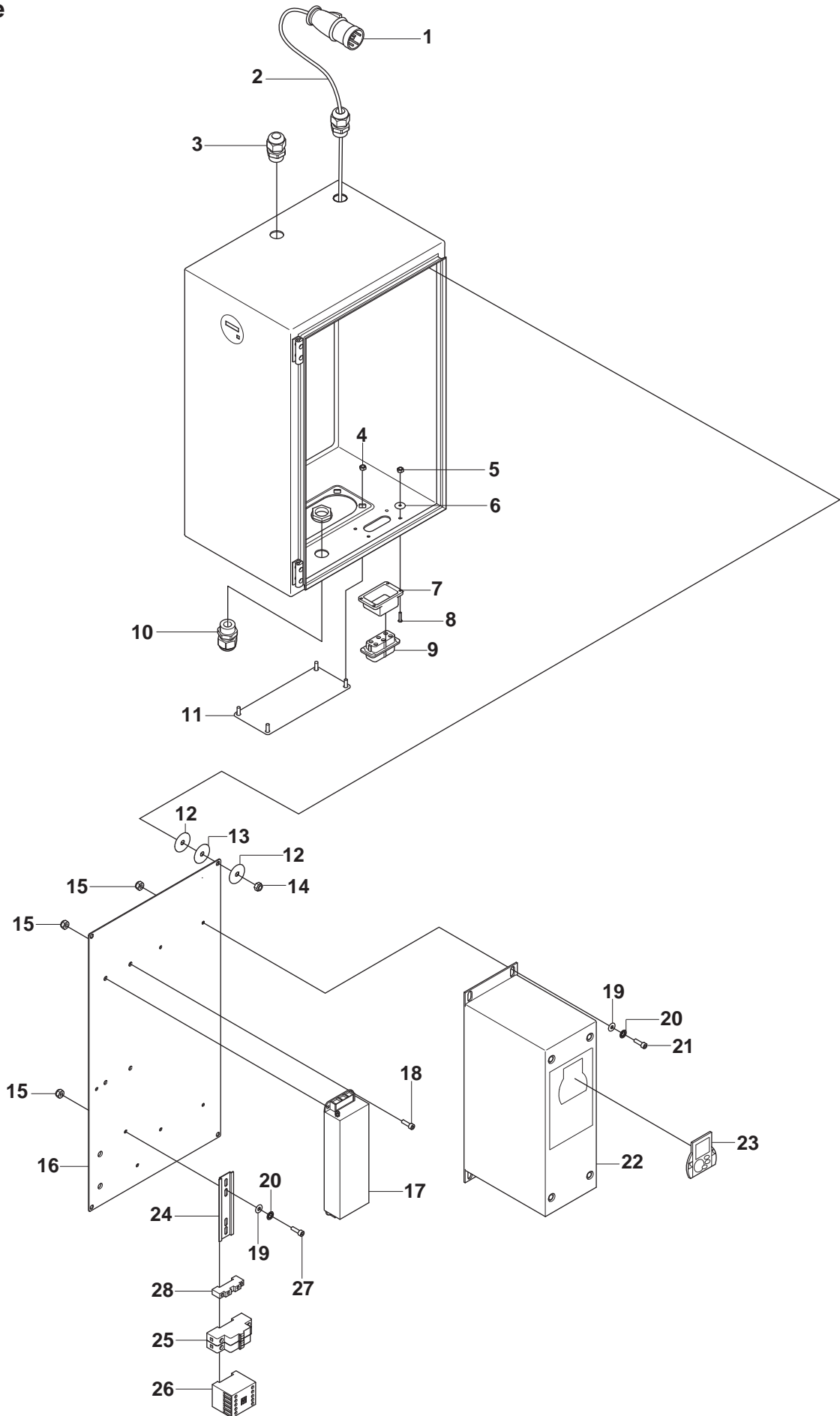
## Single Phase



Position #	Article #	Quantity	Notes	Kit
1a	504 75 38-01	1	MALE PLUG AU 220-240V	
1b	510 22 28-02	1	MALE PLUG EU/JPN 2PIN 16AMP 220V	
1c	522 78 61-01	1	MALE PLUG CAN/USA TWIST LOCK 220V	
2	504 75 57-01	1		
3	516 06 18-01	2		
4	732 25 16-01	4		
5	732 25 12-01	9		
6	734 11 37-41	10		
7	516 06 04-01	1		
8	521 88 74-01	8		
9	516 06 05-01	1		
10	522 66 03-01	1		
11	516 06 08-01	1		
12	504 74 73-01	8		
13	516 06 01-01	4		
14	732 25 18-01	4		
15	521 88 66-01	6		
16	516 06 09-01	1		
17	504 71 70-01	1		
18	521 88 64-01	2		
19	734 11 52-01	6		
20	735 21 53-01	6		
21	725 53 70-01	4		
22a	504 75 32-01	1	NXL DISPLAY PANEL	
22b	516 06 10-01	1	NXS DISPLAY PANEL	
23	505 46 40-01	1		
24	516 06 11-01	1		
25	504 75 34-01	2		
26	541 40 51-78	2		
27	725 52 99-01	1		
28	522 66 05-01	1		
29	504 75 36-01	1		
30	504 75 37-01	1		
31	502 54 38-01	1		
32	504 75 33-01	2		
33	504 75 35-01	2		
34	522 66 06-01	1		36
35	522 66 07-01	1		36
36	522 66 08-01	1		

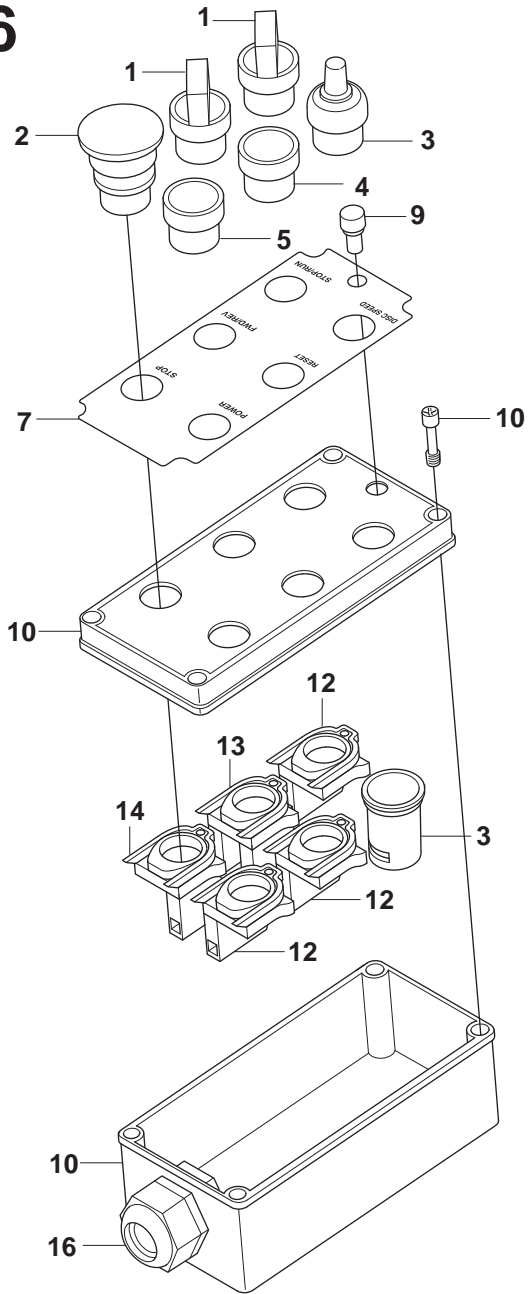
# C5

3 Phase

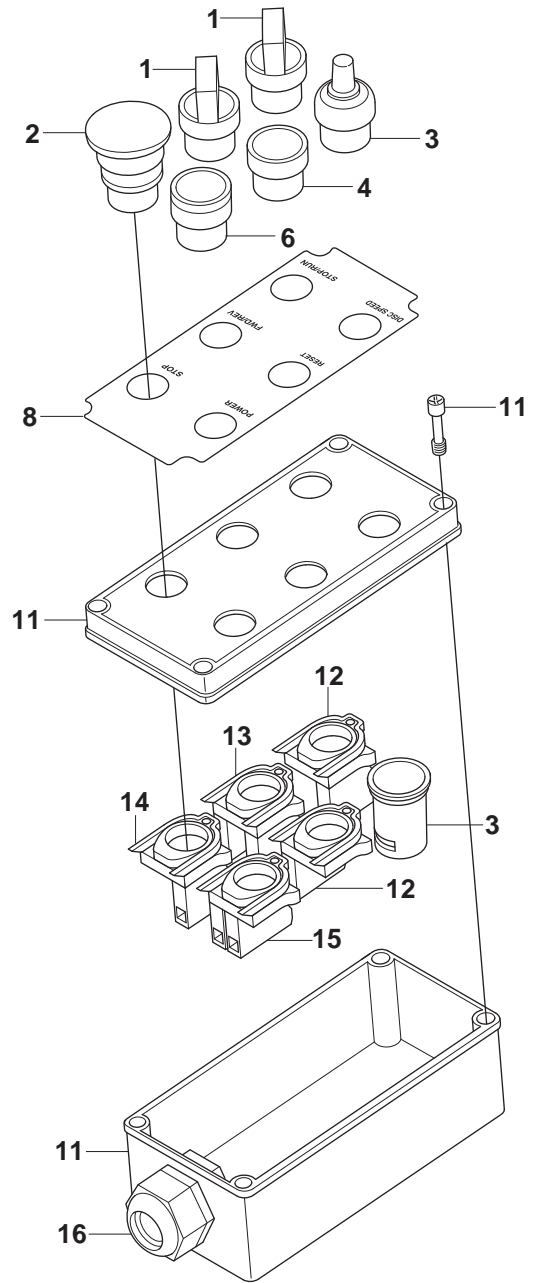


Position #	Article #	Quantity	Notes	Kit
1a	502 54 40-01	1	32AMP 4 PIN MALE PLUG - AUS (400V)	
1b	515 98 55-01	1	32AMP 4 PIN MALE PLUG - CAN (600V)	
1c	531 11 71-36	1	32AMP 5 PIN MALE PLUG - EU (400V)	
1d	515 98 56-01	1	63AMP 4 PIN MALE PLUG - JPN/USA (200V)	
2	522 66 09-01	1		
3	516 06 18-01	2		
4	732 25 16-01	4		
5	732 25 12-01	9		
6	734 11 37-41	10		
7	516 06 04-01	1		
8	521 88 74-01	8		
9	516 06 05-01	1		
10	522 66 03-01	1		
11	516 06 08-01	1		
12	504 74 73-01	8		
13	516 06 01-01	4		
14	732 25 18-01	4		
15	521 88 66-01	6		
16	516 06 09-01	1		
17	522 66 10-01	1		
18	521 88 64-01	4		
19	734 11 52-01	6		
20	735 21 53-01	6		
21	725 53 70-01	4		
22	504 75 32-01	1		
23a	516 06 10-01	1	NXL DISPLAY PANEL	
23b	505 46 40-01	1	NXS DISPLAY PANEL	
24	516 06 11-01	1		
25	504 75 37-01	1		
26	502 56 53-01	1		
27	541 40 51-78	2		
28	502 54 38-01	1		

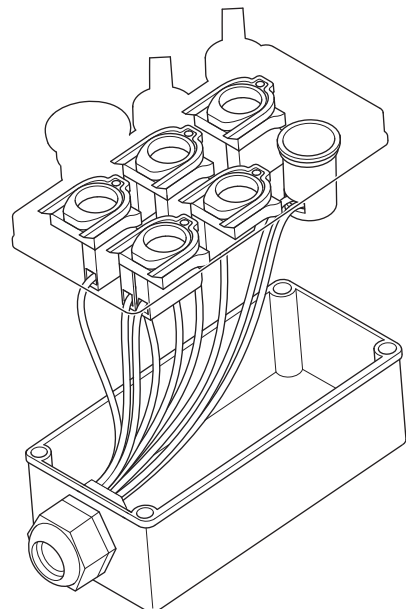
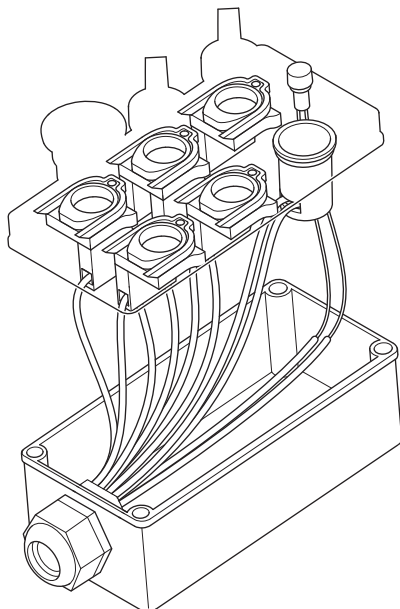
# C6



**3 Phase**



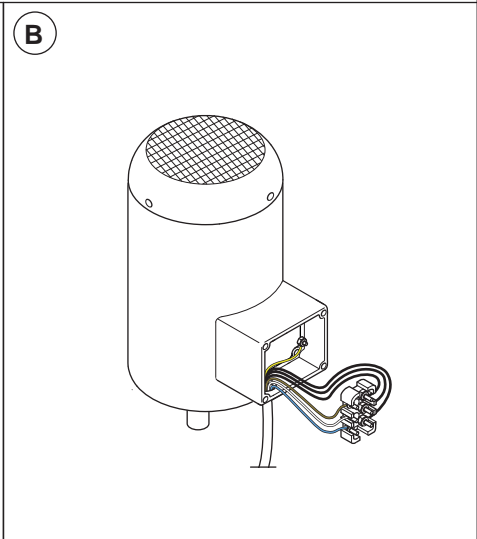
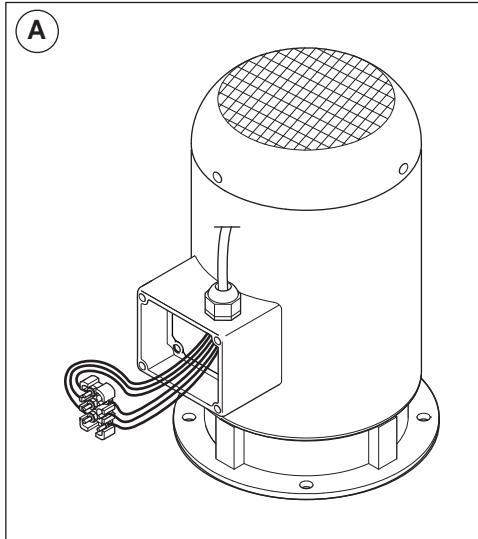
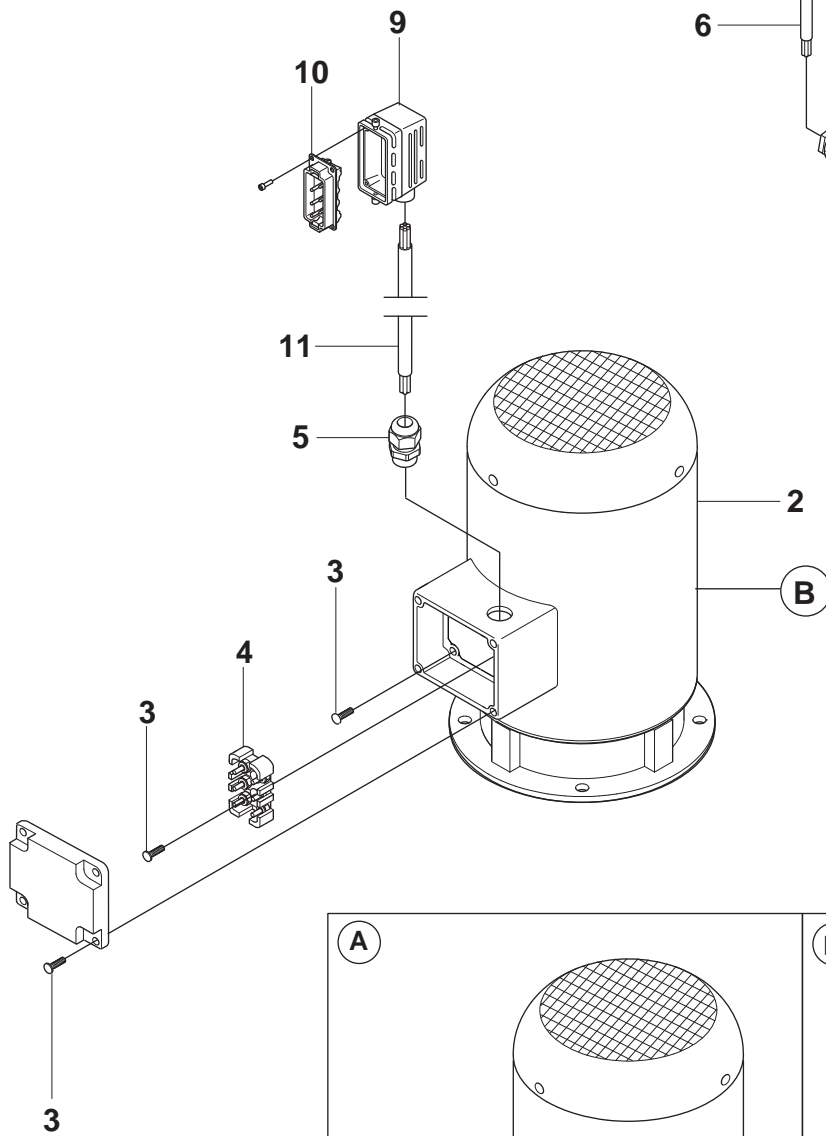
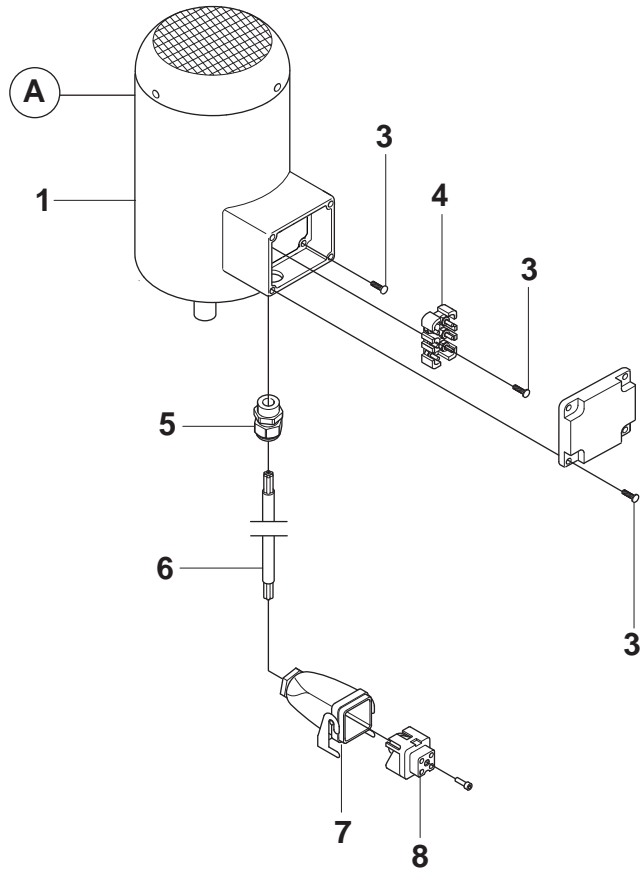
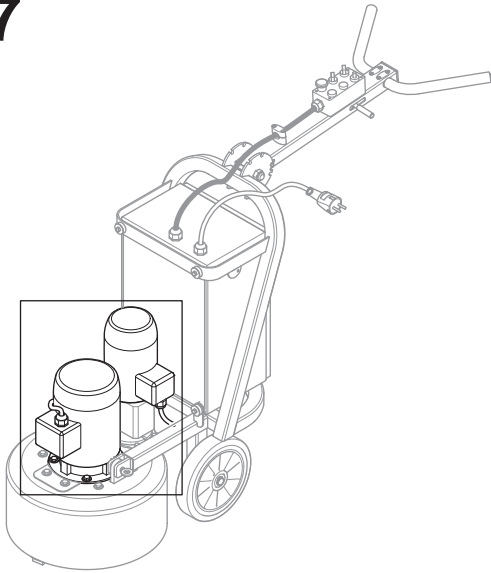
**Single Phase**





<b>Position #</b>	<b>Article #</b>	<b>Quantity</b>	<b>Notes</b>	<b>Kit</b>
1	504 73 86-01	4		
2	504 73 94-01	2		
3	502 54 29-01	2		
4	504 73 88-01	2		
5	504 73 90-01	1		
6	504 75 50-01	1		
7	522 67 69-01	1		
8	504 75 56-01	1		
9	504 73 96-01	1		
10	522 66 11-01	1		
11	504 75 42-01	1		
12	504 73 89-01	5		
13	504 73 87-01	1		
14	504 73 95-01	1		
15	504 75 51-01	1		
16	516 06 18-01	1		

# C7



<b>Position #</b>	<b>Article #</b>	<b>Quantity</b>	<b>Notes</b>	<b>Kit</b>
1	502 55 97-01	1		
2a	502 55 94-01	1	SINGLE PHASE	
2b	505 52 32-01	1	3 PHASE	
3	521 88 69-01	10		
4a	516 06 19-01	1	SINGLE PHASE	
4b	516 06 20-01	1	3 PHASE	
5a	516 06 12-01	2	SINGLE PHASE	
5b	522 66 12-01	1	3 PHASE	
6	504 75 58-01	1		
7a	522 66 13-01	1	3 POLE + EARTH -HOOD	
7b	522 66 14-01	1	3 POLE + EARTH - HOOD WITH CLIP	
8a	522 66 15-01	1	3 POLE + EARTH - PLUG	
8b	522 66 16-01	1	3 POLE + EARTH -SOCKET	
9	516 06 13-01	1		
10	516 06 14-01	1		
11	522 66 17-01	1		