



# 55 Rancher

**Spare parts**

**Ersatzteile**

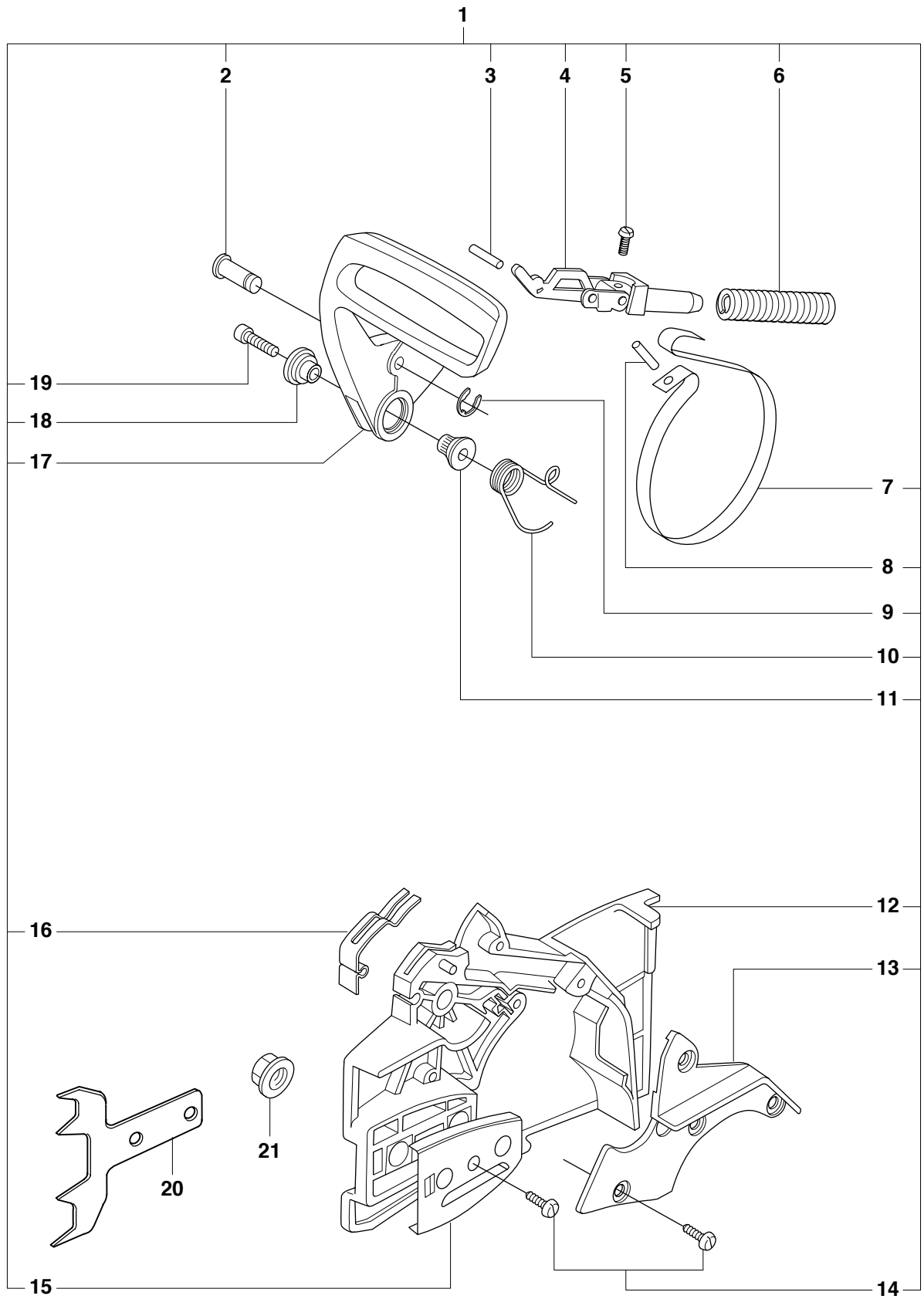
**Pièces détachées**

**Reserve onderdelen**

**Repuestos**

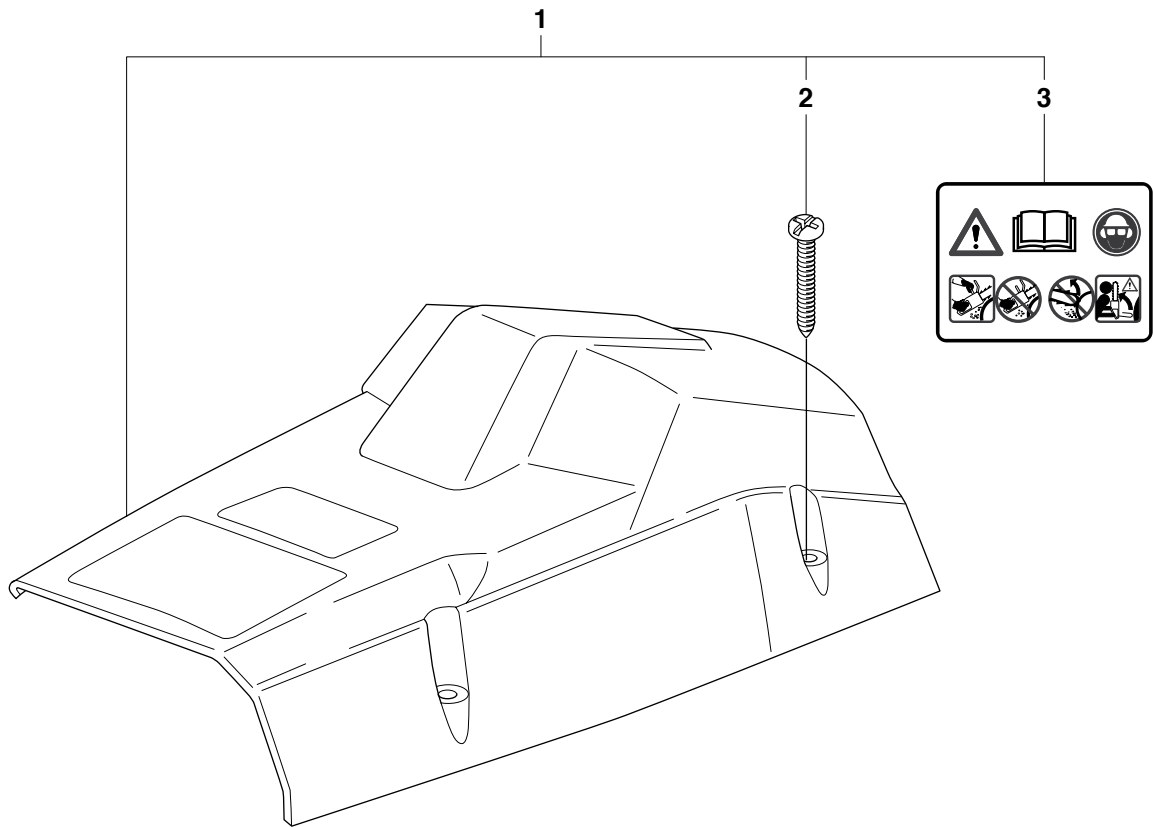
**Reservdelar**

**A** 55 Rancher  
CHAIN BREAK & CLUTCH COVER



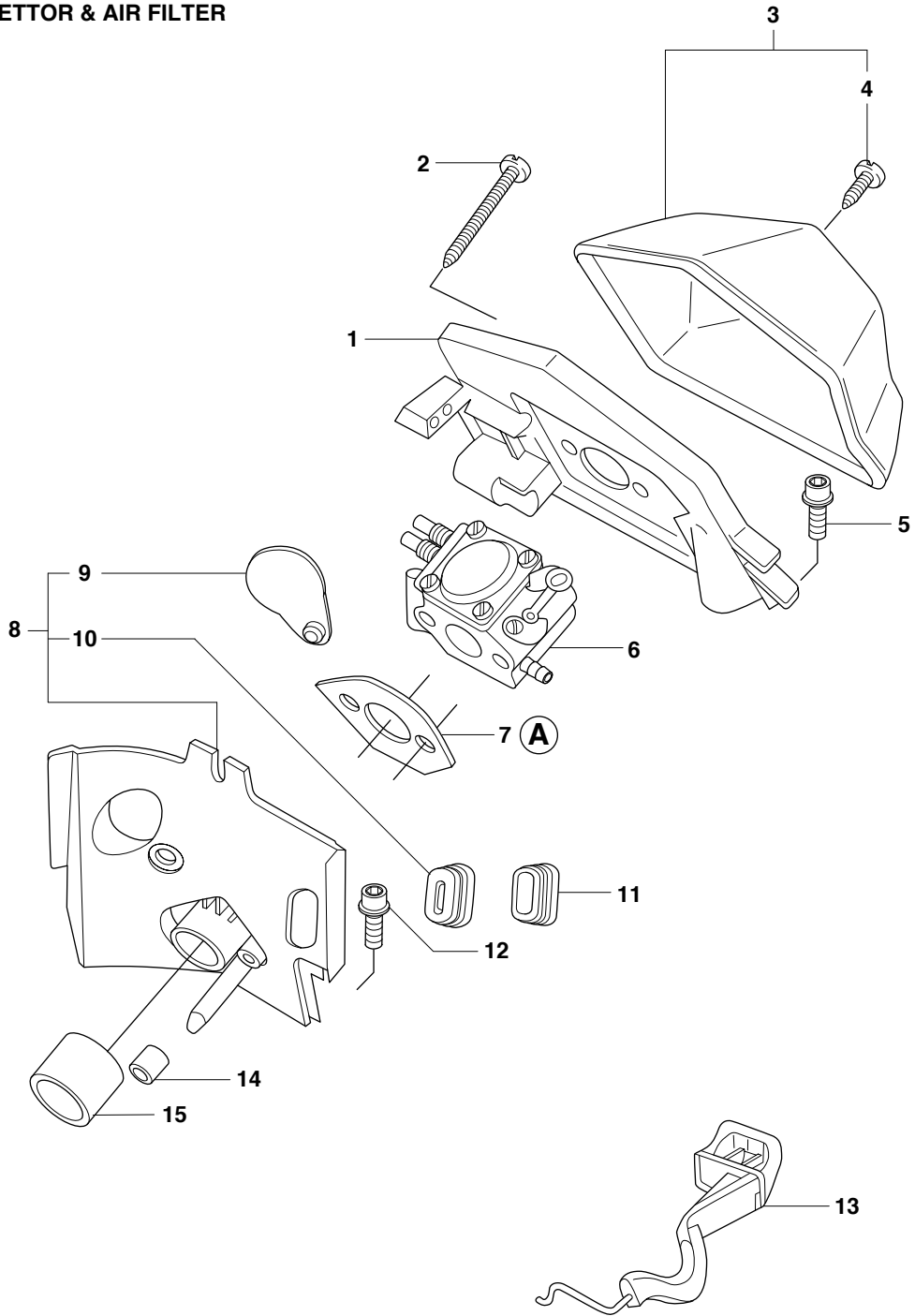
| Page A   |              | 55 Rancher |       | CHAIN BREAK & CLUTCH COVER |   |
|----------|--------------|------------|-------|----------------------------|---|
| Position | Article      | Quantity   | Notes | Kit                        |   |
| 1        | 503 49 81-03 | 1          |       |                            |   |
| 2        | 503 80 27-01 | 1          |       |                            | 1 |
| 3        | 720 12 33-00 | 1          |       |                            | 1 |
| 4        | 501 87 53-01 | 1          |       |                            | 1 |
| 5        | 503 21 28-10 | 1          |       |                            | 1 |
| 6        | 501 87 54-01 | 1          |       |                            | 1 |
| 7        | 503 71 87-01 | 1          |       |                            | 1 |
| 8        | 721 42 52-50 | 1          |       |                            | 1 |
| 9        | 735 31 08-20 | 1          |       |                            | 1 |
| 10       | 506 16 48-01 | 1          |       |                            | 1 |
| 11       | 501 76 81-01 | 1          |       |                            | 1 |
| 12       | 503 49 32-01 | 1          |       |                            | 1 |
| 13       | 501 87 42-02 | 1          |       |                            | 1 |
| 14       | 503 21 28-10 | 5          |       |                            | 1 |
| 15       | 503 15 21-01 | 1          |       |                            | 1 |
| 16       | 501 87 47-01 | 1          |       |                            | 1 |
| 17       | 503 89 27-01 | 1          |       |                            | 1 |
| 18       | 501 76 80-01 | 1          |       |                            | 1 |
| 19       | 503 20 26-16 | 1          |       |                            | 1 |
| 20       | 503 52 39-01 | 1          |       |                            |   |
| 21       | 503 22 00-01 | 1          |       |                            |   |

**B** 55 Rancher  
COVER

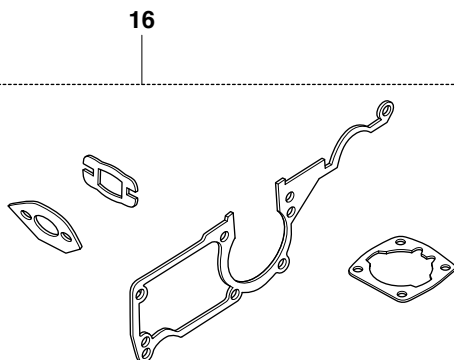




**C** 55 Rancher  
CARBURETTOR & AIR FILTER

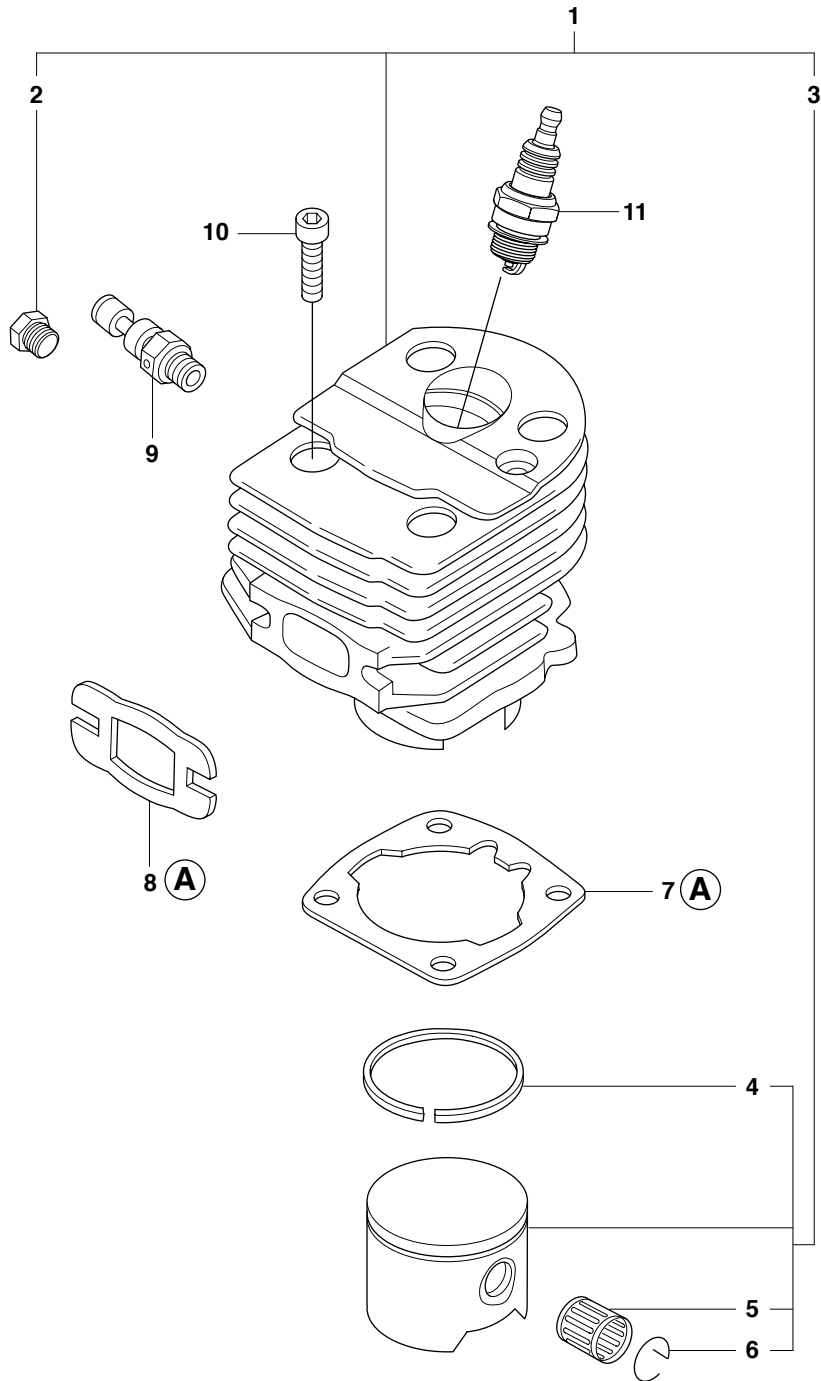


**(A)** 501 76 18-02  
Set of gaskets

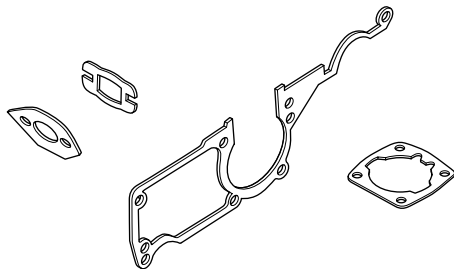


| Page C   |              | 55 Rancher |                    | CARBURETTOR & AIR FILTER |  |
|----------|--------------|------------|--------------------|--------------------------|--|
| Position | Article      | Quantity   | Notes              | Kit                      |  |
| 1        | 503 89 82-01 | 1          |                    |                          |  |
| 2        | 503 21 07-45 | 2          |                    |                          |  |
| 3        | 503 89 81-01 | 1          | FELT               |                          |  |
| 3        | 503 89 81-02 | 1          | 80 $\mu$           |                          |  |
| 4        | 503 20 32-16 | 1          |                    | 3                        |  |
| 5        | 503 20 02-10 | 1          |                    |                          |  |
| 6        | 503 28 31-05 | 1          |                    |                          |  |
| 6        | 503 28 31-06 | 1          | EPA, EU1           |                          |  |
| 7        | 501 77 00-02 | 1          |                    | 16                       |  |
| 8        | 503 76 48-01 | 1          |                    |                          |  |
| 9        | 501 63 97-01 | 1          |                    | 8                        |  |
| 10       | 503 73 09-01 | 1          |                    | 8                        |  |
| 11       | 503 73 08-01 | 1          |                    |                          |  |
| 12       | 503 20 02-16 | 2          |                    |                          |  |
| 13       | 503 60 84-01 | 1          |                    |                          |  |
| 14       | 505 31 07-51 | 1          |                    |                          |  |
| 15       | 503 16 16-02 | 1          |                    |                          |  |
| 16       | 501 76 18-02 | 1          | A = Set of Gaskets |                          |  |

**D** 55 Rancher  
CYLINDER & PISTON



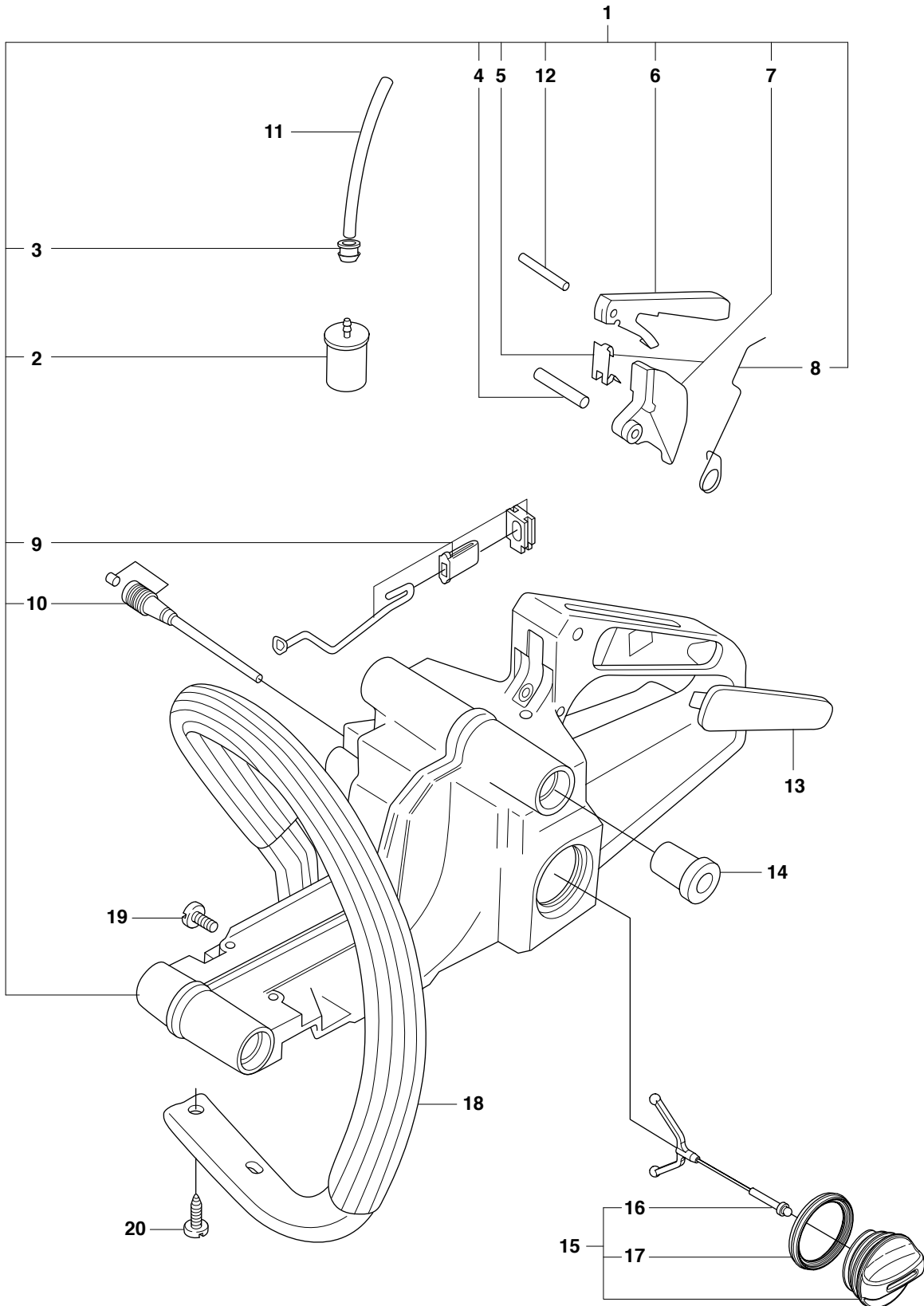
(A) 501 76 18-02  
Set of gaskets





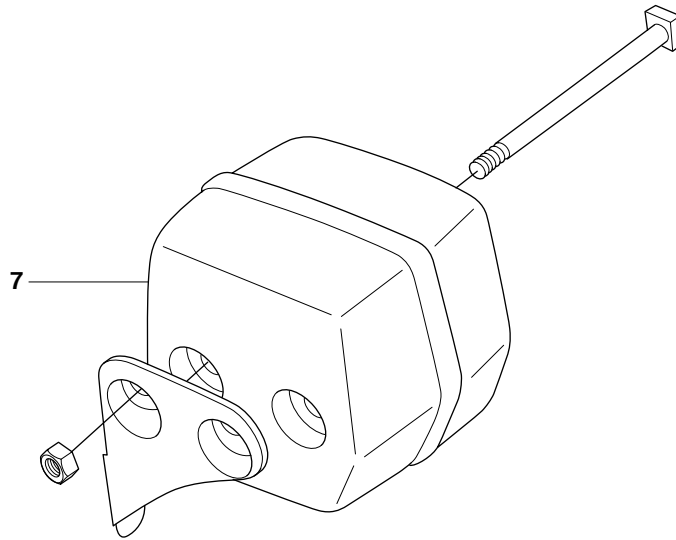
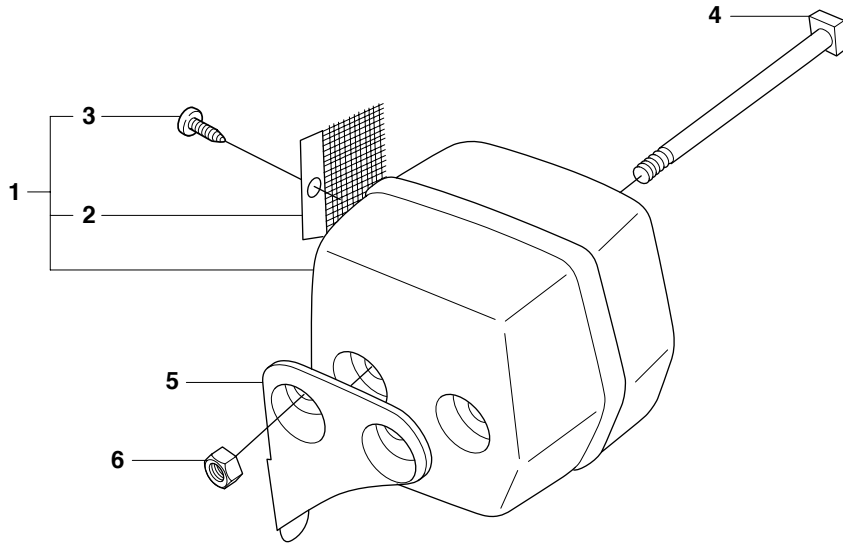
| Page D   |              | 55 Rancher |                    | CYLINDER & PISTON |    |
|----------|--------------|------------|--------------------|-------------------|----|
| Position | Article      | Quantity   | Notes              | Kit               |    |
| 1        | 503 60 91-71 | 1          |                    |                   |    |
| 2        | 503 55 22-01 | 1          |                    |                   | 1  |
| 3        | 503 60 81-71 | 1          |                    |                   | 1  |
| 4        | 503 28 90-14 | 1          |                    |                   | 3  |
| 5        | 501 45 16-01 | 1          |                    |                   | 1  |
| 6        | 737 44 10-00 | 2          |                    |                   | 3  |
| 7        | 503 16 21-03 | 1          |                    |                   | 12 |
| 8        | 537 12 79-01 | 1          |                    |                   | 12 |
| 9        | 503 66 54-01 | 1          |                    |                   |    |
| 10       | 503 20 02-25 | 4          |                    |                   |    |
| 11       | 503 23 51-08 | 1          | RCJ7Y              |                   |    |
| 12       | 501 76 18-02 | 1          | A = Set of Gaskets |                   |    |

**E** 55 Rancher  
FUEL TANK & HANDLE



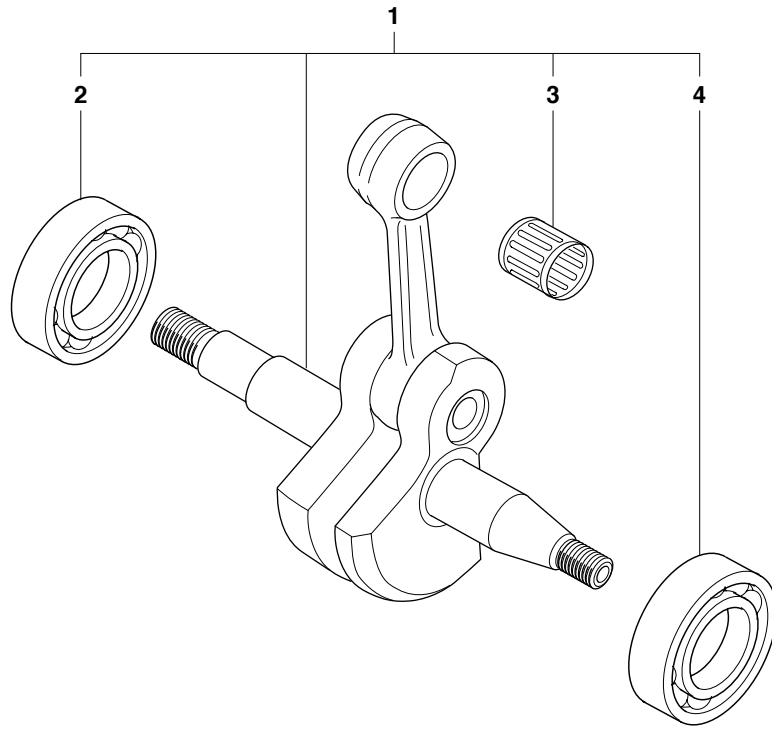
| Page E   |              | 55 Rancher |       | FUEL TANK & HANDLE |    |
|----------|--------------|------------|-------|--------------------|----|
| Position | Article      | Quantity   | Notes | Kit                |    |
| 1        | 501 76 13-10 | 1          |       |                    |    |
| 2        | 503 44 32-01 | 1          |       |                    | 1  |
| 3        | 503 73 58-01 | 1          |       |                    | 1  |
| 4        | 720 13 15-20 | 1          |       |                    | 1  |
| 5        | 503 57 50-01 | 1          |       |                    | 1  |
| 6        | 501 87 77-02 | 1          |       |                    | 1  |
| 7        | 503 09 79-04 | 1          |       |                    | 1  |
| 8        | 503 08 46-01 | 1          |       |                    | 1  |
| 9        | 501 77 80-02 | 1          |       |                    | 1  |
| 10       | 501 87 31-01 | 1          |       |                    | 1  |
| 11       | 544 32 49-02 | 1          |       |                    |    |
| 12       | 720 12 42-20 | 1          |       |                    | 1  |
| 13       | 503 40 47-01 | 2          |       |                    |    |
| 14       | 501 76 39-02 | 4          |       |                    |    |
| 15       | 537 21 52-02 | 1          |       |                    |    |
| 16       | 503 57 89-01 | 1          |       |                    | 15 |
| 17       | 537 21 50-01 | 1          |       |                    | 15 |
| 18       | 501 87 29-07 | 1          |       |                    |    |
| 19       | 503 21 06-25 | 2          |       |                    |    |
| 20       | 503 21 06-16 | 2          |       |                    |    |

**F** 55 Rancher  
MUFFLER



| Page F   |              | 55 Rancher |               | MUFFLER |  |
|----------|--------------|------------|---------------|---------|--|
| Position | Article      | Quantity   | Notes         | Kit     |  |
| 1        | 503 74 91-03 | 1          | (FF) EPA, EU1 |         |  |
| 2        | 503 74 97-01 | 1          |               | 1       |  |
| 3        | 724 12 87-59 | 1          |               | 1       |  |
| 4        | 503 21 82-02 | 2          |               |         |  |
| 5        | 501 76 88-01 | 1          |               |         |  |
| 6        | 503 22 24-01 | 2          |               |         |  |
| 7        | 501 76 66-05 | 1          | (FG)          |         |  |

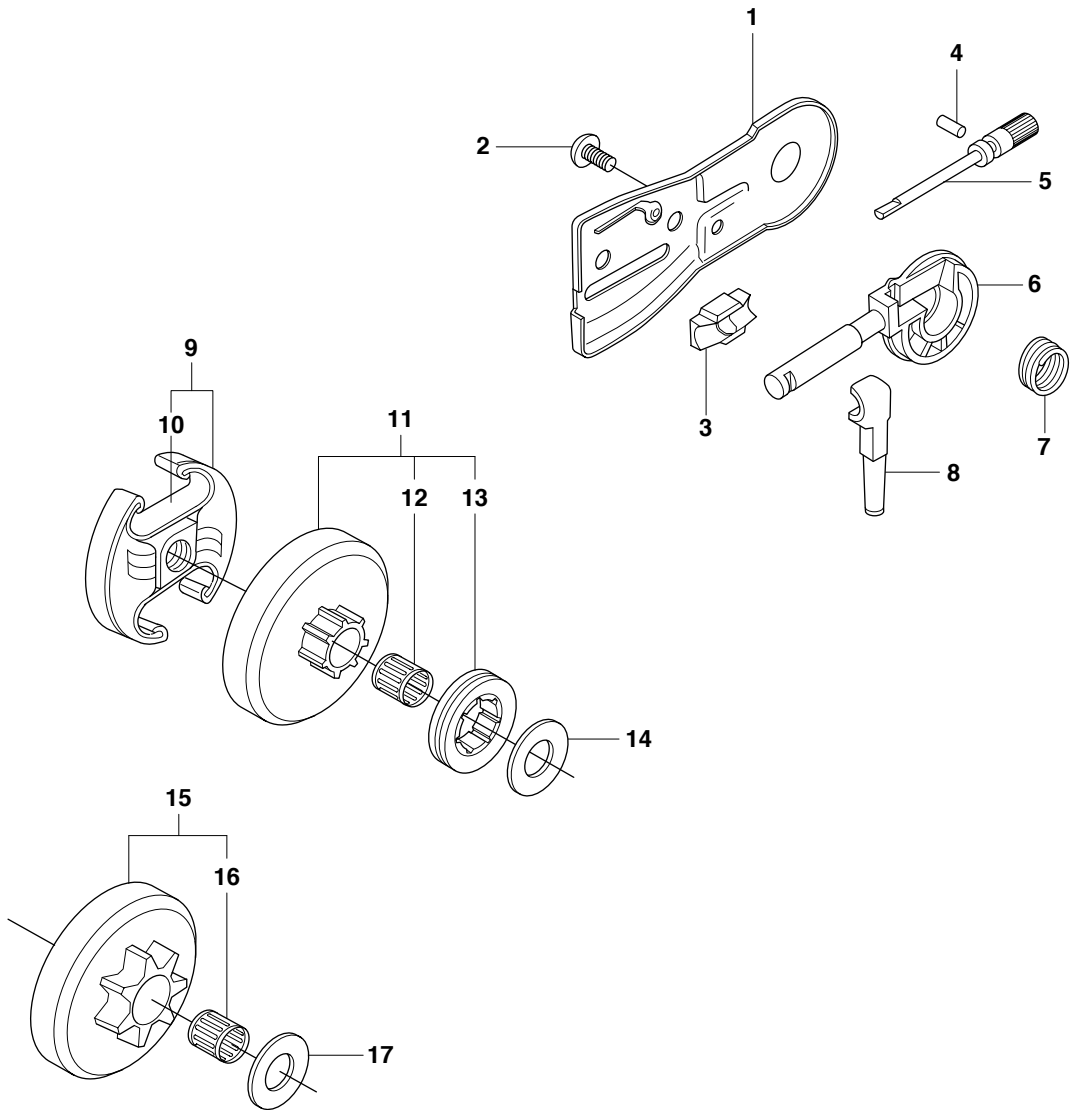
**G** 55 Rancher  
CRANK SHAFT



**CRANK SHAFT**

| <b>Position</b> | <b>Article</b> | <b>Quantity</b> | <b>Notes</b> | <b>Kit</b> |
|-----------------|----------------|-----------------|--------------|------------|
| 1               | 503 57 38-06   | 1               |              |            |
| 2               | 738 22 02-25   | 1               |              | 1          |
| 3               | 501 45 16-01   | 1               |              | 1          |
| 4               | 738 22 02-25   | 1               |              | 1          |

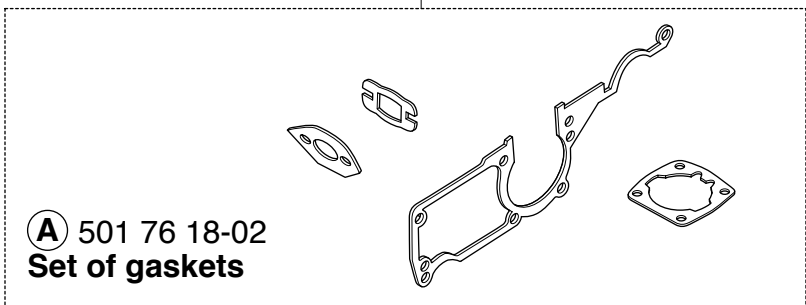
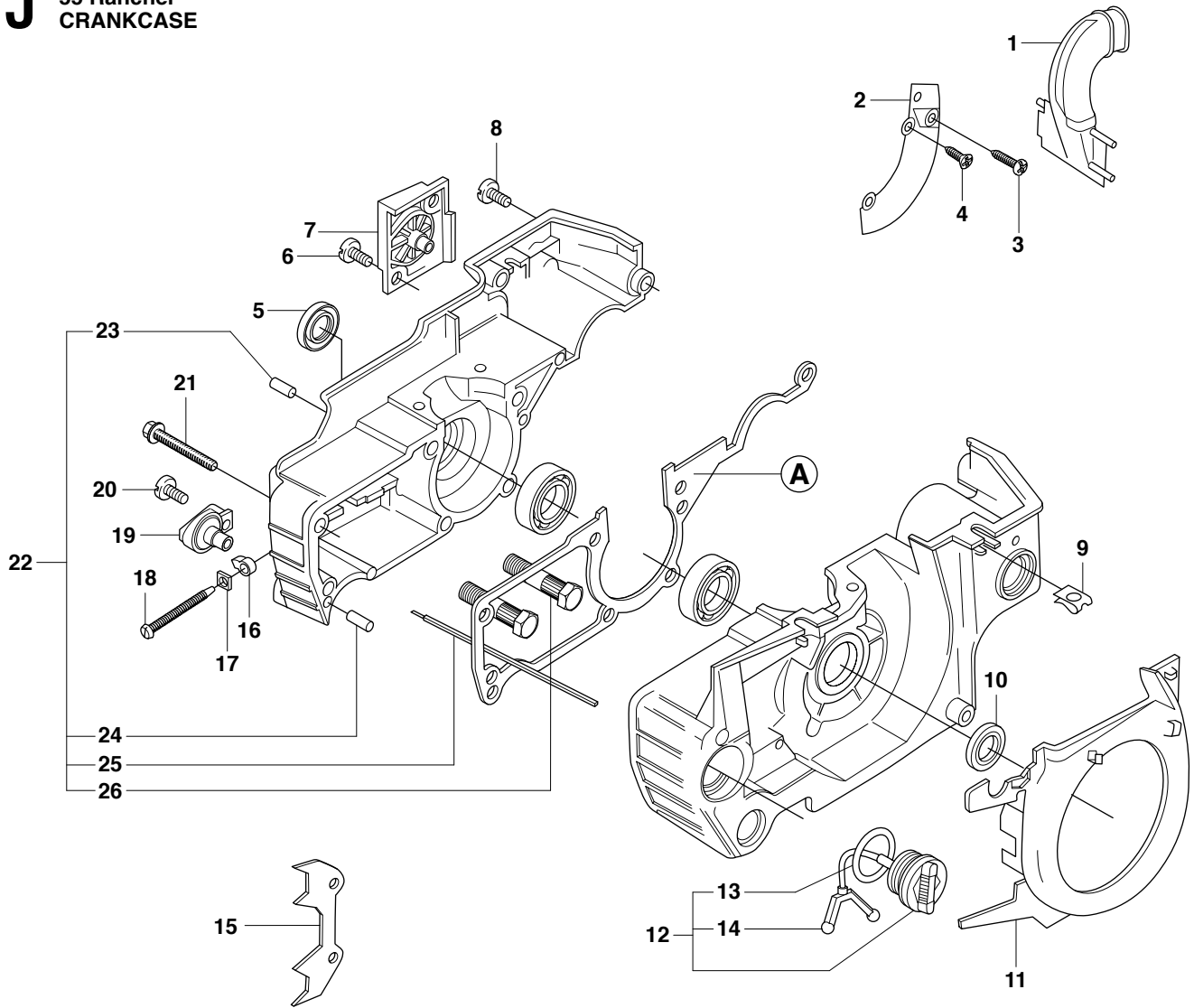
**H** 55 Rancher  
CLUTCH & OIL PUMP





| Page H   |              | 55 Rancher |         | CLUTCH & OIL PUMP |  |
|----------|--------------|------------|---------|-------------------|--|
| Position | Article      | Quantity   | Notes   | Kit               |  |
| 1        | 501 76 32-01 | 1          |         |                   |  |
| 2        | 725 53 29-55 | 1          |         |                   |  |
| 3        | 501 76 37-01 | 1          |         |                   |  |
| 4        | 721 12 10-40 | 1          |         |                   |  |
| 5        | 503 66 01-02 | 1          |         |                   |  |
| 6        | 501 77 76-01 | 1          |         |                   |  |
| 7        | 503 10 49-02 | 1          |         |                   |  |
| 8        | 503 10 16-01 | 1          |         |                   |  |
| 9        | 537 11 05-02 | 1          |         |                   |  |
| 10       | 537 35 91-01 | 1          |         | 9                 |  |
| 11       | 503 74 54-01 | 1          | .325"x7 |                   |  |
| 11       | 503 45 39-02 | 1          | 3/8x7   |                   |  |
| 12       | 503 25 34-01 | 1          |         | 11                |  |
| 13       | 501 45 74-02 | 1          | .325"x7 | 11                |  |
| 13       | 504 52 30-02 | 1          | 3/8x7   | 11                |  |
| 14       | 503 23 01-05 | 1          |         |                   |  |
| 15       | 503 08 87-02 | 1          | .325"x7 |                   |  |
| 16       | 503 25 34-01 | 1          |         | 15                |  |
| 17       | 503 23 01-05 | 1          |         |                   |  |

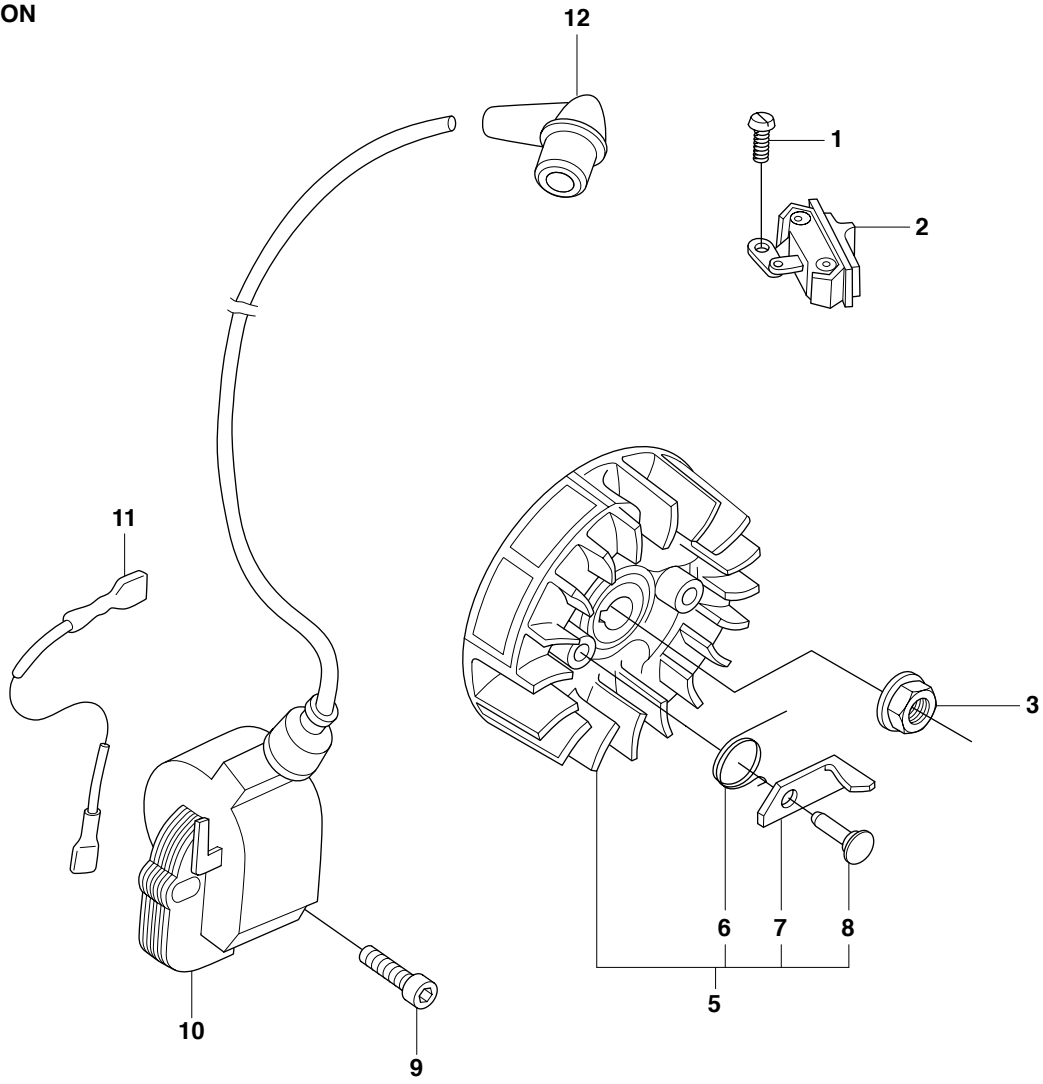
**J** 55 Rancher  
CRANKCASE



**(A)** 501 76 18-02  
Set of gaskets

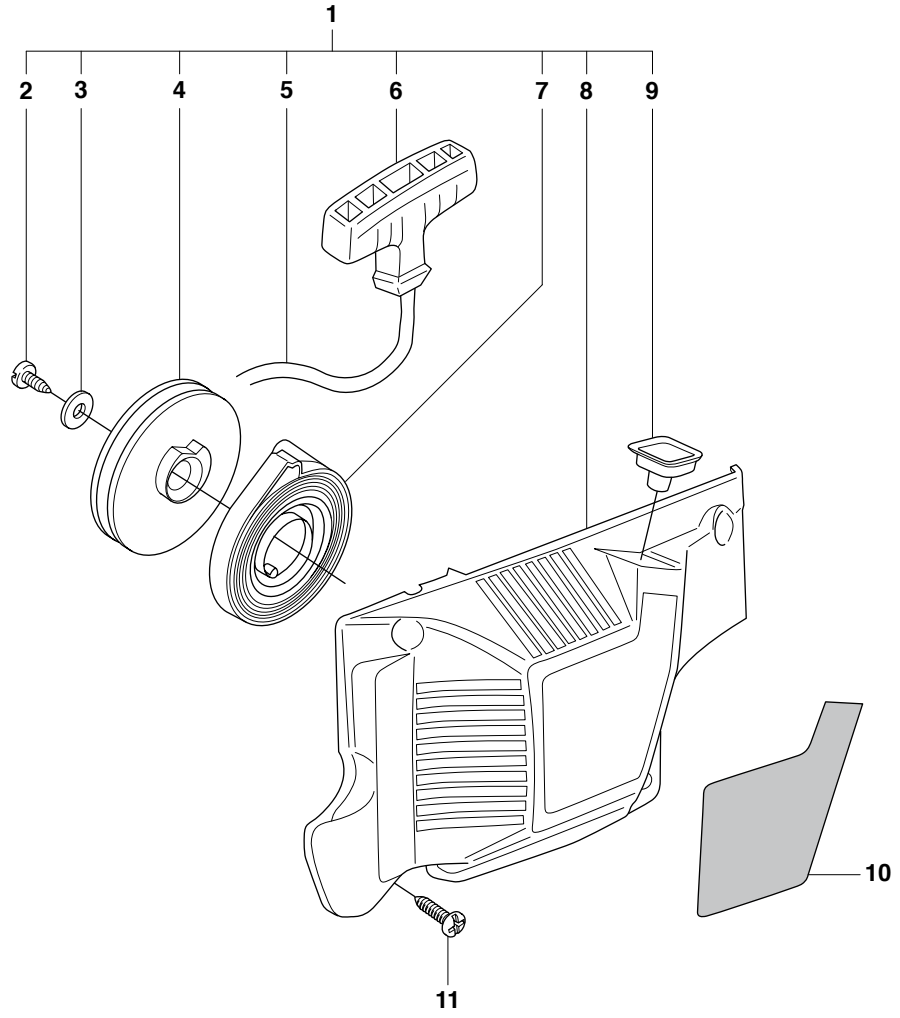
| Page J   |              | 55 Rancher |                    | CRANKCASE |  |
|----------|--------------|------------|--------------------|-----------|--|
| Position | Article      | Quantity   | Notes              | Kit       |  |
| 1        | 503 72 98-01 | 1          |                    |           |  |
| 2        | 503 73 04-01 | 1          |                    |           |  |
| 3        | 503 21 27-16 | 1          |                    |           |  |
| 4        | 724 33 25-56 | 2          |                    |           |  |
| 5        | 505 27 57-19 | 1          |                    |           |  |
| 6        | 503 20 02-16 | 2          |                    |           |  |
| 7        | 501 76 44-03 | 1          |                    |           |  |
| 8        | 503 20 02-16 | 1          |                    |           |  |
| 9        | 503 22 62-01 | 3          |                    |           |  |
| 10       | 505 27 57-19 | 1          |                    |           |  |
| 11       | 501 76 30-03 | 1          |                    |           |  |
| 12       | 501 76 56-02 | 1          |                    |           |  |
| 13       | 740 44 05-00 | 1          |                    | 12        |  |
| 14       | 503 57 89-01 | 1          |                    | 12        |  |
| 15       | 501 79 50-01 | 1          |                    |           |  |
| 16       | 501 45 41-01 | 1          |                    |           |  |
| 17       | 501 45 27-02 | 1          |                    |           |  |
| 18       | 501 54 63-01 | 1          |                    |           |  |
| 19       | 501 76 64-03 | 1          |                    |           |  |
| 20       | 503 20 02-25 | 1          |                    |           |  |
| 21       | 503 20 02-50 | 6          |                    |           |  |
| 22       | 501 76 22-02 | 1          |                    |           |  |
| 23       | 721 12 10-40 | 1          |                    | 22        |  |
| 24       | 720 13 07-10 | 2          |                    | 22        |  |
| 25       | 503 66 84-01 | 1          |                    | 22        |  |
| 26       | 503 68 42-42 | 2          |                    | 22        |  |
| 27       | 501 76 18-02 | 1          | A = Set of Gaskets |           |  |

**K** 55 Rancher  
IGNITION

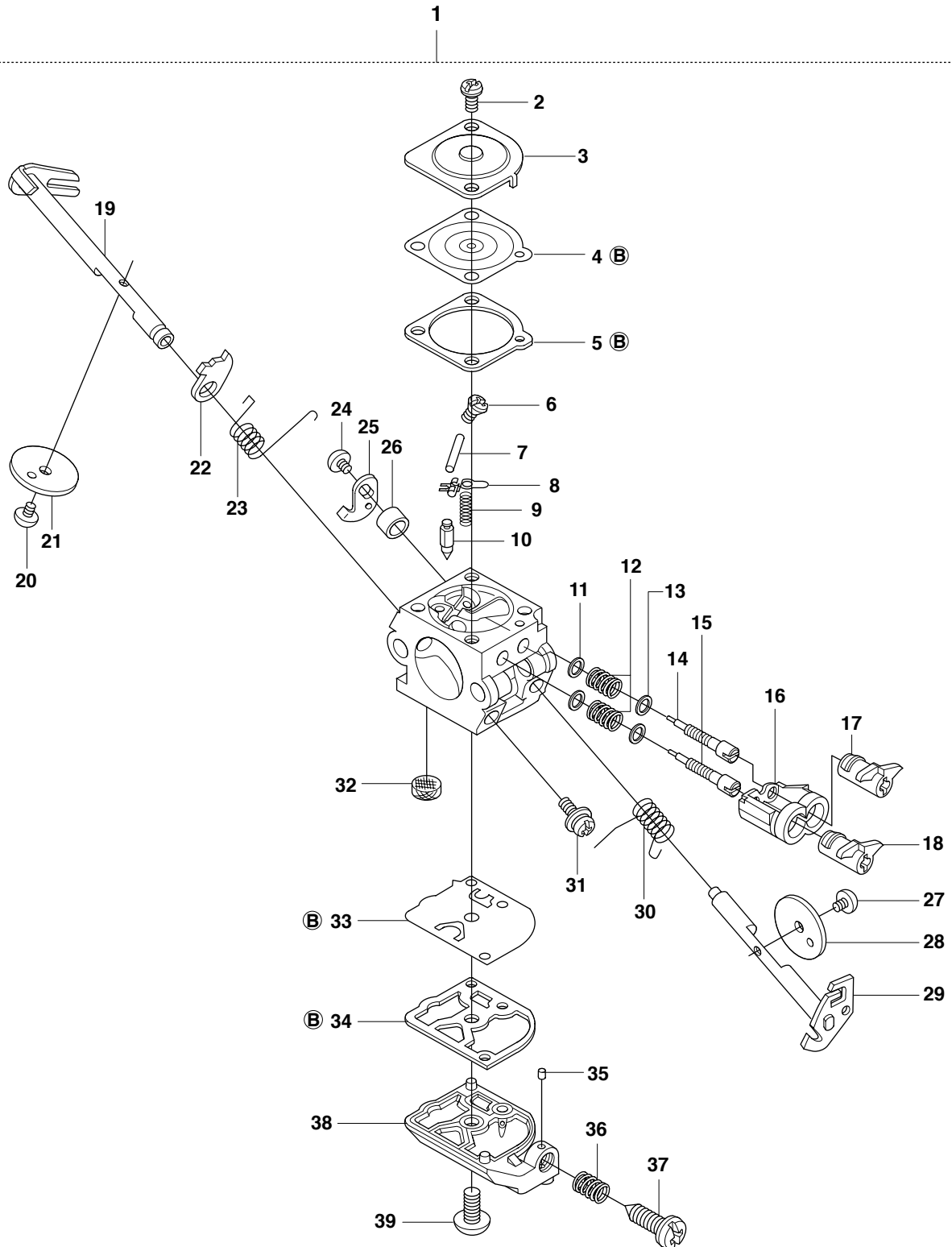


| <b>Page K</b>   |                | <b>55 Rancher</b> |              | <b>IGNITION</b> |  |
|-----------------|----------------|-------------------|--------------|-----------------|--|
| <b>Position</b> | <b>Article</b> | <b>Quantity</b>   | <b>Notes</b> | <b>Kit</b>      |  |
| 1               | 503 21 28-06   | 1                 |              |                 |  |
| 2               | 503 71 79-01   | 1                 |              |                 |  |
| 3               | 503 22 04-01   | 1                 |              |                 |  |
| 5               | 503 79 00-01   | 1                 |              |                 |  |
| 6               | 503 78 32-01   | 2                 |              | 5               |  |
| 7               | 503 71 02-03   | 2                 |              | 5               |  |
| 8               | 503 79 05-02   | 2                 |              | 5               |  |
| 9               | 503 20 25-20   | 2                 |              |                 |  |
| 10              | 544 01 84-01   | 1                 |              |                 |  |
| 11              | 503 16 31-01   | 1                 |              |                 |  |
| 12              | 501 48 54-02   | 1                 |              |                 |  |

**L** 55 Rancher  
STARTER



| Page L   |              | 55 Rancher |       | STARTER |  |
|----------|--------------|------------|-------|---------|--|
| Position | Article      | Quantity   | Notes | Kit     |  |
| 1        | 503 60 88-03 | 1          |       |         |  |
| 2        | 503 21 06-16 | 1          |       | 1       |  |
| 3        | 503 23 00-35 | 1          |       | 1       |  |
| 4        | 505 30 37-35 | 1          |       | 1       |  |
| 5        | 505 30 51-25 | 1          |       | 1       |  |
| 6        | 503 54 39-01 | 1          |       | 1       |  |
| 7        | 501 76 31-01 | 1          |       | 1       |  |
| 8        | 503 60 86-01 | 1          |       | 1       |  |
| 9        | 501 63 06-01 | 1          |       | 1       |  |
| 10       | 537 35 98-01 | 1          |       |         |  |
| 11       | 724 13 29-55 | 4          |       |         |  |



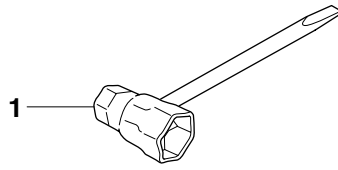
40

**(B) 503 48 21-01  
Set of gaskets**



| Page M   |              | 55 Rancher |                         | CARBURETTOR |  |
|----------|--------------|------------|-------------------------|-------------|--|
| Position | Article      | Quantity   | Notes                   | Kit         |  |
| 1        | 503 28 31-06 | 1          | ZAMA C1Q-EL7 (EPA, EU1) |             |  |
| 1        | 503 28 31-05 | 1          | ZAMA C1Q-EL6            | 1           |  |
| 2        | 503 48 05-01 | 2          |                         | 1           |  |
| 3        | 503 97 43-01 | 1          |                         | 1           |  |
| 4        | 503 48 02-01 | 1          |                         | 1, 40       |  |
| 5        | 503 48 03-01 | 1          |                         | 1, 40       |  |
| 6        | 503 48 01-01 | 1          |                         | 1           |  |
| 7        | 503 48 00-01 | 1          |                         | 1           |  |
| 8        | 503 66 59-01 | 1          |                         | 1           |  |
| 9        | 503 47 99-01 | 1          |                         | 1           |  |
| 10       | 503 47 97-01 | 1          |                         | 1           |  |
| 11       | 503 90 31-01 | 2          | EPA, EU1                | 1           |  |
| 12       | 503 99 43-01 | 2          | EPA, EU1                | 1           |  |
| 12       | 503 48 08-01 | 2          |                         | 1           |  |
| 13       | 503 90 31-01 | 2          | EPA, EU1                | 1           |  |
| 14       | 503 90 29-01 | 1          | L, EPA, EU1             | 1           |  |
| 14       | 503 48 07-01 | 1          | L                       | 1           |  |
| 15       | 537 07 72-01 | 1          | H, EPA, EU1             | 1           |  |
| 15       | 503 97 44-01 | 1          | H                       | 1           |  |
| 16       | 503 90 34-01 | 1          |                         | 1           |  |
| 17       | 503 90 32-01 | 1          | EPA, EU1                | 1           |  |
| 18       | 503 90 33-01 | 1          | EPA, EU1                | 1           |  |
| 19       | 503 97 45-01 | 1          | EPA, EU1                | 1           |  |
| 20       | 503 48 18-01 | 1          |                         | 1           |  |
| 21       | 503 48 17-01 | 1          |                         | 1           |  |
| 22       | 503 48 16-01 | 1          |                         | 1           |  |
| 23       | 537 13 49-01 | 1          |                         | 1           |  |
| 24       | 503 47 90-01 | 1          |                         | 1           |  |
| 25       | 503 47 88-01 | 1          |                         | 1           |  |
| 26       | 503 47 89-01 | 1          |                         | 1           |  |
| 27       | 503 47 92-01 | 1          |                         | 1           |  |
| 28       | 503 47 91-01 | 1          |                         | 1           |  |
| 29       | 503 97 42-01 | 1          |                         | 1           |  |
| 30       | 537 01 97-01 | 1          |                         | 1           |  |
| 31       | 503 75 53-01 | 1          |                         | 1           |  |
| 32       | 503 48 13-01 | 1          |                         | 1           |  |
| 33       | 503 80 56-01 | 1          |                         | 1, 40       |  |
| 34       | 503 47 94-01 | 1          |                         | 1, 40       |  |
| 35       | 503 48 11-01 | 1          |                         | 1           |  |
| 36       | 503 48 10-01 | 1          |                         | 1           |  |
| 37       | 503 48 09-01 | 1          |                         | 1           |  |
| 38       | 503 47 95-01 | 1          |                         | 1           |  |
| 39       | 503 47 96-01 | 1          |                         | 1           |  |
| 40       | 503 48 21-01 | 1          | B = Set of Gaskets      |             |  |

**N** 55 Rancher  
ACCESSORIES



| <b>Page N</b>   |                | <b>55 Rancher</b> |              | <b>ACCESSORIES</b> |  |
|-----------------|----------------|-------------------|--------------|--------------------|--|
| <b>Position</b> | <b>Article</b> | <b>Quantity</b>   | <b>Notes</b> | <b>Kit</b>         |  |
| 1               | 501 69 17-01   | 1                 |              |                    |  |