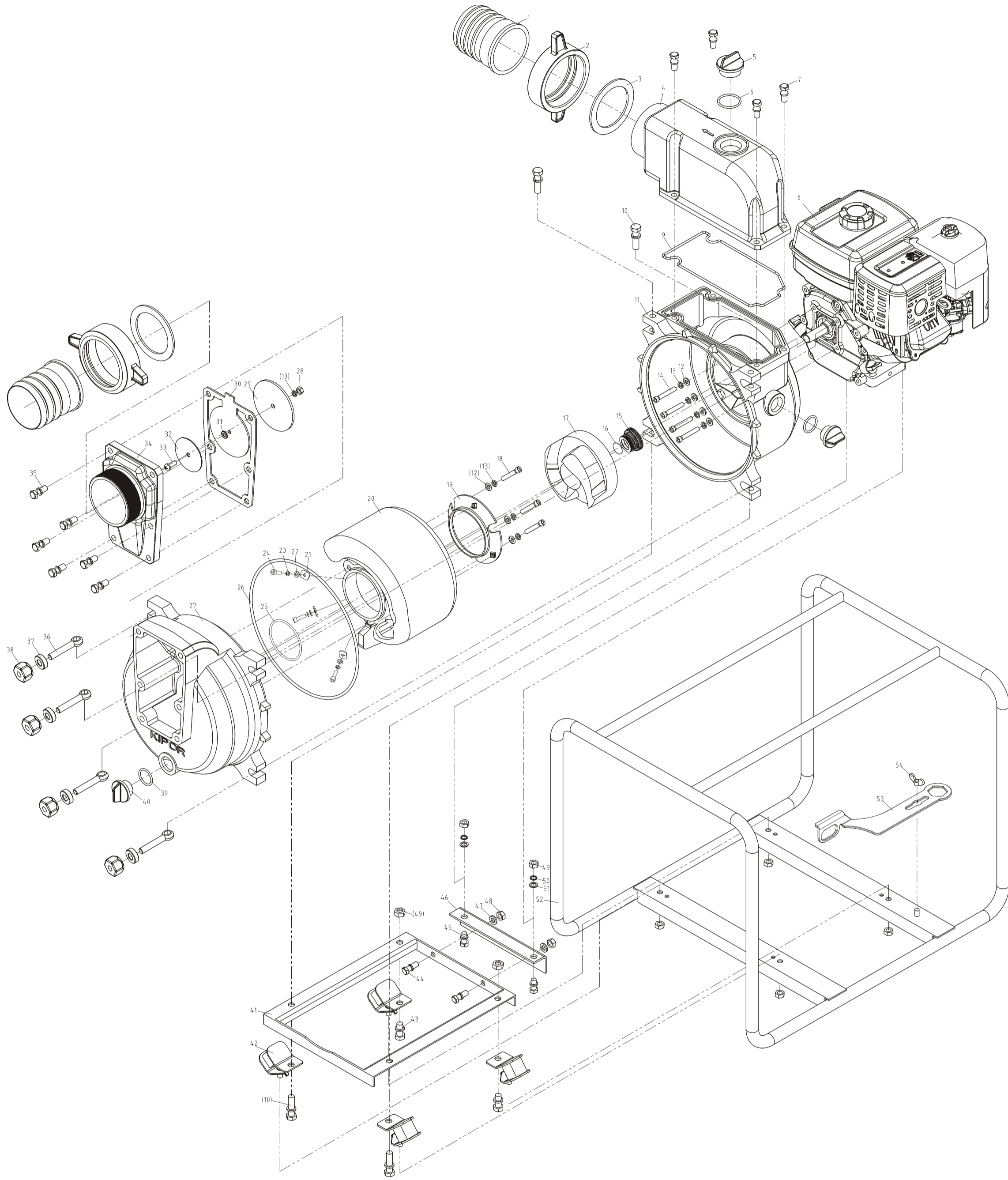


装配及零部件图

KGP40T



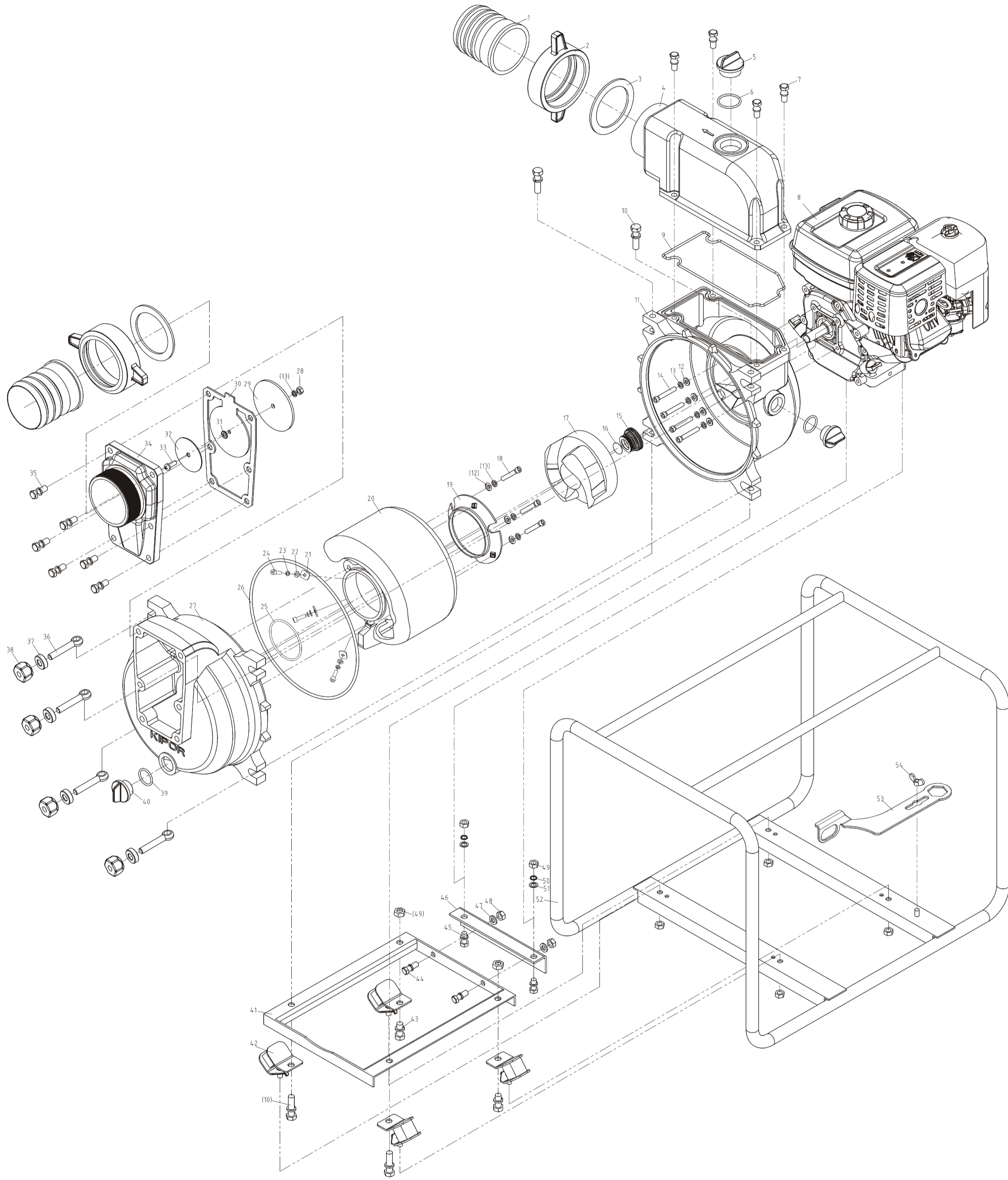
序号	图号	名称	数量	序号	图号	名称	数量	序号	图号	名称	数量	序号	图号	名称	数量
1	KGP40T-01010	4"进水管	2	15	KGP30T-01100	3"机械密封组件	1	29	KGP40T-01204	4"拍门夹板Φ110	1	43	GB/T9074.15-1988	螺栓M12X20	2
2	KGP40T-01007	4"锁紧螺母	2	16	KGP40T-01005	4"叶轮调整垫片	3	30	KGP40T-01203	4"拍门密封垫片	1	44	GB/T9074.15-1988	螺栓M10X20	2
3	KGP40T-01008	4"橡胶密封垫片	2	17	KGP40T-01004	4"叶轮	1	31	KGP40T-01201	4"拍门垫片Φ8	1	45	GB/T9074.15-1988	螺栓M12X35	2
4	KGP40T-01011	4"出水口座	1	18	GB/T70.1-2000	螺钉M8X35 (不锈钢)	3	32	KGP40T-01202	4"拍门夹板Φ74	1	46	KGP40T-03002	4"发动机托板	1
5	KGP20T-01013	2"出水口座螺塞	1	19	KGP40T-01100	4"异型垫片焊合件	1	33	GB/T818-2000	十字槽盘头螺钉M8X20 (不锈钢)	1	47	GB/T97.1-2002	垫圈10	2
6	GB/T3452.1-2005	O型圈41.2X3.55	1	20	KGP40T-01003	4"导流器	1	34	KGP40T-01009	4"进水口座	1	48	GB/T6172.1-2000	螺母M10	6
7	GB/T9074.15-1988	螺栓M10X30	4	21	KGP40T-01006	4"螺钉垫片	3	35	GB/T9074.15-1988	螺栓M12X35	6	49	GB/T6172.1-2000	螺母M12	4
8	GK400P-02000	发动机总成	1	22	GB/T95-2002	垫圈6 (不锈钢)	3	36	KGP20T-01015	2"活节螺栓	4	50	GB/T93-1987	垫圈12	2
9	KGP20T-01008	2"密封圈	1	23	GB/T93-1987	垫圈6 (不锈钢)	3	37	KGP20T-01017	2"活节螺栓垫片	4	51	GB/T95-2002	垫圈12	2
10	GB/T9074.15-1988	螺栓M12X50	4	24	GB/T70.1-2000	螺钉M6X20 (不锈钢)	3	38	KGP20T-01014	2"泵体锁紧螺母	4	52	KDP40T-03100	4"机架焊合件	1
11	KGP40T-01002	4"泵体	1	25	GB/T3452.1-2005	O型圈106X3.55	1	39	GB/T3452.1-2005	O型圈31.5X3.55	2	53	KDP40T-03001	4"污水泵扳手	1
12	GB/T95-2002	垫圈8 (不锈钢)	7	26	GB/T3452.1-2005	O型圈290X5.3	1	40	KGP20T-01016	2"泵盖螺塞	2	54	GB/T62.1-2004	螺母M8	1
13	GB/T93-1987	垫圈8 (不锈钢)	8	27	KGP40T-01001	4"泵盖	1	41	KGP40T-03200	4"底座焊合件	1	55			
14	GB/T70.1-2000	螺钉M8X55 (不锈钢)	4	28	GB/T6170-2000	螺母M8 (不锈钢)	1	42	KGP20T-04000	2"减震垫组件	4	56			

无锡开普动力有限公司

地址: 无锡国家高新技术产业开发区旺庄配套工业园三期经一路旁
电话: 0510-85205100 85203799 传真: 0510-85205026 85203795

ASSEMBLY AND PARTS ALBUM

KGP40T



No.	Part.No	Description	Qty.	No.	Part.No	Description	Qty.	No.	Part.No	Description	Qty.	No.	Part.No	Description	Qty.
1	KGP40T-01010	4" water inlet/outlet pipe	2	15	KGP30T-01100	3" mechanical seal kits	1	29	KGP40T-01204	4" flap valve pallet ϕ 110	1	43	GB/T9074.15-1988	Bolt M12*20	2
2	KGP40T-01007	4" locking nut	2	16	KGP40T-01005	Adjusting gasket for 4" impellor	3	30	KGP40T-01203	Seal gasket for 4" flap valve	1	44	GB/T9074.15-1988	Bolt M10*20	2
3	KGP40T-01008	4" rubber seal gasket	2	17	KGP40T-01004	4" impellor	1	31	KGP40T-01201	Gasket for 4" flap valve ϕ 8	1	45	GB/T9074.15-1988	Bolt M12*35	2
4	KGP40T-01011	4" water outlet seat	1	18	GB/T70.1-2000	Screw M8*35(stainless)	3	32	KGP40T-01202	4" flap valve pallet ϕ 74	1	46	KGP40T-03002	4" engine supporting plate	1
5	KGP20T-01013	2" plug screw for water outlet seat	1	19	KGP40T-01100	4" Shaped gasket	1	33	GB/T818-2000	Cross recess head screw M8*20(stainless)	1	47	GB/T97.1-2002	Washer 10	2
6	GB/T3452.1-2005	O ring 41.2X3.55	1	20	KGP40T-01003	4" Fluid director	1	34	KGP40T-01009	4" water inlet seat	1	48	GB/T6172.1-2000	Nut M10	6
7	GB/T9074.15-1988	Bolt M10X30	4	21	KGP40T-01006	4" screw gasket	3	35	GB/T9074.15-1988	Bolt M12*35	6	49	GB/T6172.1-2000	Nut M12	4
8	GK400P-02000	Engine assembly	1	22	GB/T95-2002	Washer 6(stainless)	3	36	KGP20T-01015	2" eyelet bolt	4	50	GB/T93-1987	Washer 12	2
9	KGP20T-01008	2" seal ring	1	23	GB/T93-1987	Washer 6(stainless)	3	37	KGP20T-01017	Gasket for 2" eyelet bolt	4	51	GB/T95-2002	Washer 12	2
10	GB/T9074.15-1988	Bolt M12X50	4	24	GB/T70.1-2000	Screw M6X20	3	38	KGP20T-01014	Locking nut for 2" pump	4	52	KDP40T-03100	4" frame	1
11	KGP40T-01002	4" pump	1	25	GB/T3452.1-2005	O ring 106X3.55	1	39	GB/T3452.1-2005	O ring 31.5X3.55	2	53	KDP40T-03001	4" sewage pump wrench	1
12	GB/T95-2002	Washer 8(stainless)	7	26	GB/T3452.1-2005	O ring 290X5.3	1	40	KGP20T-01016	Plug screw for 2" pump cover	2	54	GB/T62.1-2004	Nut M8	1
13	GB/T93-1987	Washer 8(stainless)	8	27	KGP40T-01001	4" pump cover	1	41	KGP40T-03200	4" chassis	1	55			
14	GB/T70.1-2000	Screw M8X50(stainless)	4	28	GB/T6170-2000	Nut M8 (stainless)	1	42	KGP20T-04000	2" Shock absorber	4	56			